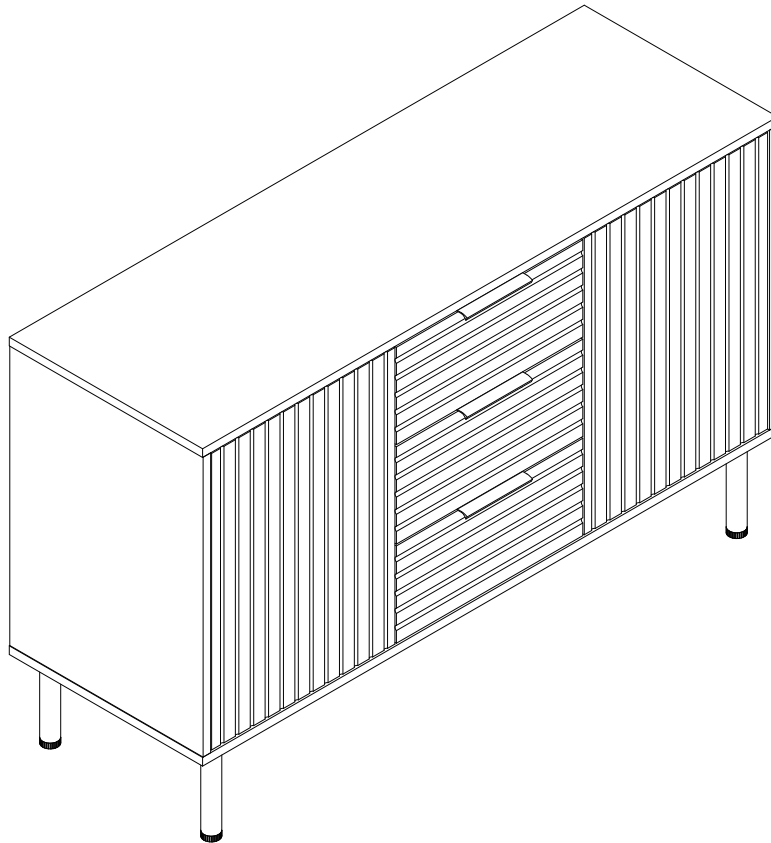


NERVATA OAK SIDEBOARD ASSEMBLY INSTRUCTIONS

Thank you for purchasing the NERVATA OAK SIDEBOARD

Please read the instructions carefully to ensure safe operation of this product.



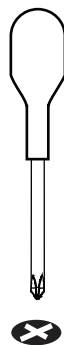
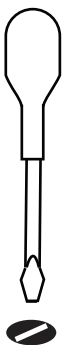
Size: 119.5x39x72cm

PLEASE READ this sheet prior to assembly to familiarise yourself with the various stages of construction.

Carefully open the pack supplied and check the contents against the parts and fittings check list. Do not destroy any of the packaging until you are certain that you have all the necessary parts for the assembly.

CAUTION: There are small components used in the construction of this unit. These loose items should be kept away from young children whilst assembling your unit to avoid the danger of choking.

Tools Required



Number of people



2 Hour
Set Up

NERVATA OAK SIDEBOARD ASSEMBLY INSTRUCTIONS

IMPORTANT - READ CAREFULLY - RETAIN THESE INSTRUCTIONS FOR FUTURE REFERENCE.

INFORMATION

- This product is designed to hold 30Kg spread evenly over the whole unit.
- Do not exceed this weight.
- We recommend that this unit is assembled in the room intended for use.
- When you are ready to start, make sure that you have the right tools, plenty of space and a clean, dry area for assembly.
- Unwrap all packaging materials and place the components on top of the carton box or on a clean floor to prevent any accidental scratching.
- Check the pack and make sure you have all the parts listed.
- Ensure that this product is fully assembled as illustrated before use.
- Check all screws or bolts are tightened and inspect regularly
- Tools not included unless specified in parts list.

WARNINGS

- This product should only be used on a firm and level floor.
- Keep small parts out of reach of children.
- Make sure the legs remain in contact with the floor.
- DO NOT use power tools to construct this product.
- DO NOT over-tighten screws or bolts.
- DO NOT use this product if parts are missing, damaged or worn.
- DO NOT sit or stand on the product.
- We recommend the use of the wall fixing provided for safety reasons. N.B. if in doubt pls consult a qualified tradesperson. **Warning:** Always ensure the area to be drilled is free from hidden electrical wires, water and gas pipes
- DO NOT place hot or Warm objects on the surface as these may damage the Product . Always use a suitable heat resistant mat.

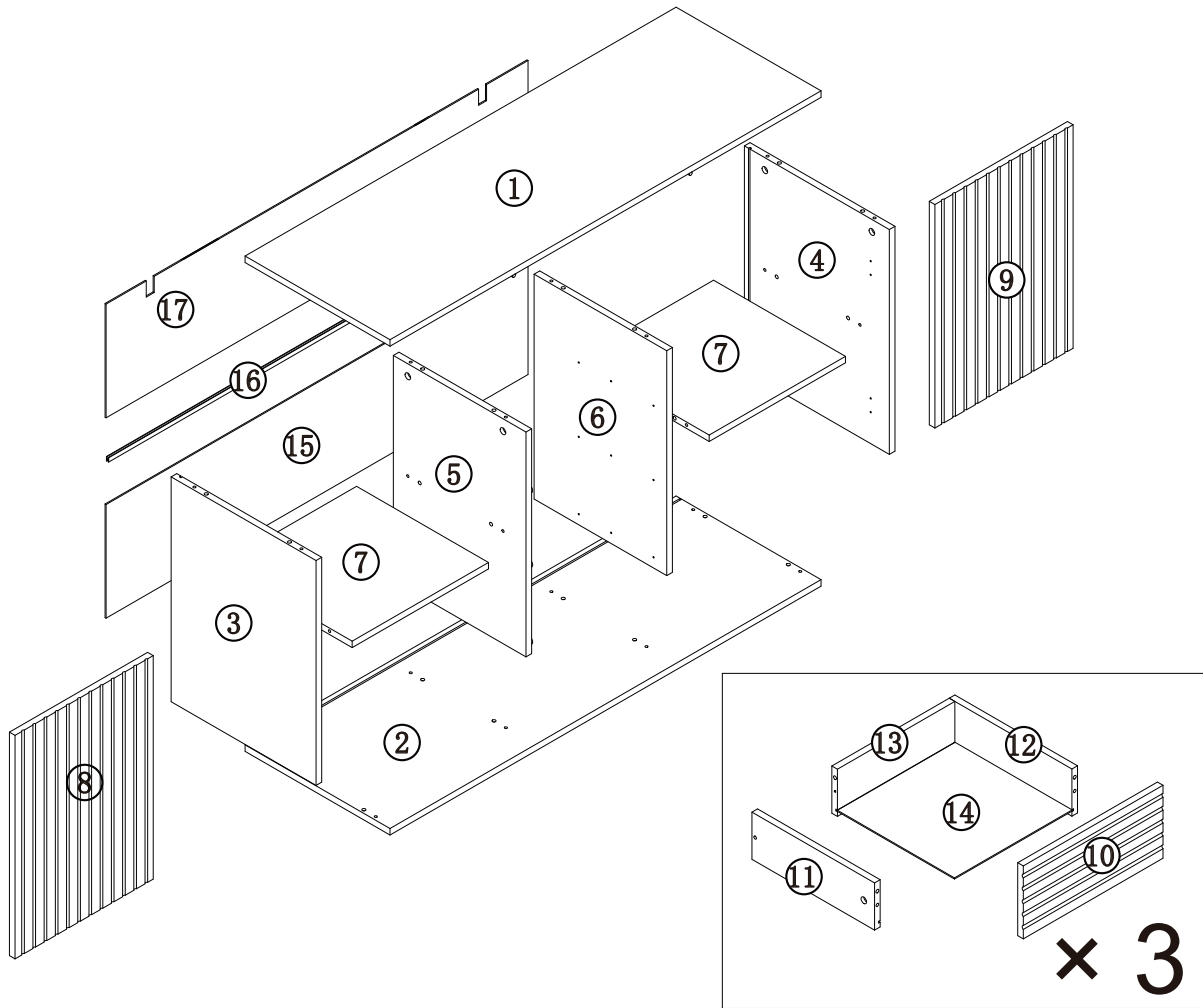
CARE INFORMATION

- Never use scourers, abrasives or chemical cleaners.
- To clean, wipe with a damp sponge and warm soapy water.
- Do not use solvent based cleaners or detergents as they can bleach or damage the product.

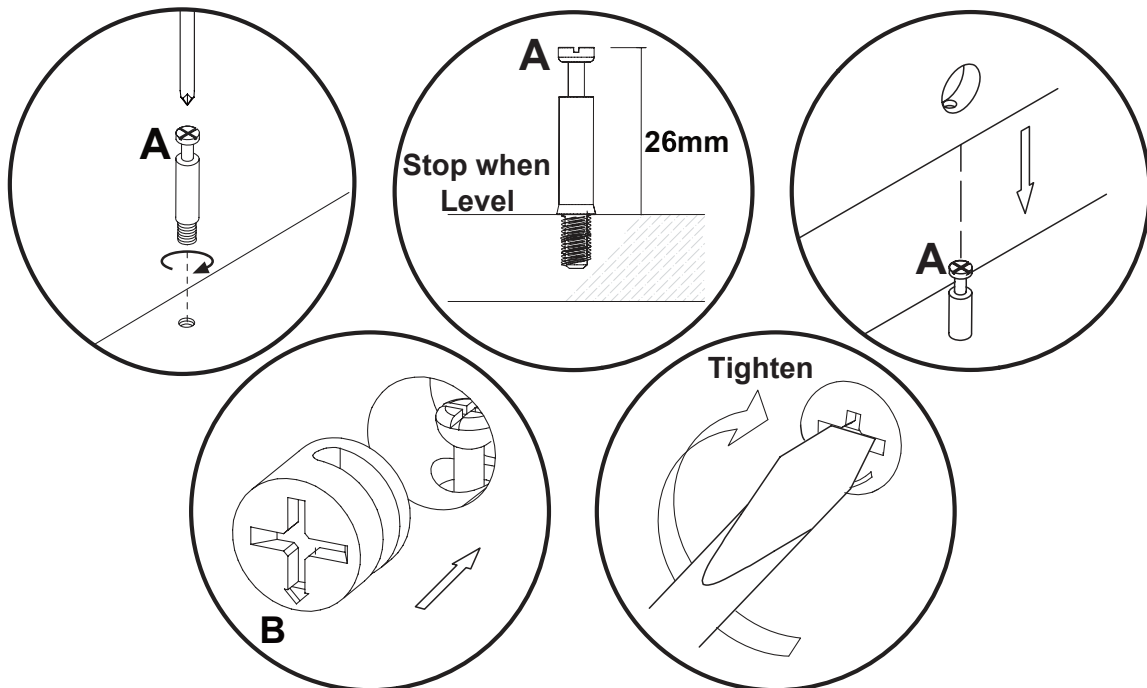
Parts and Fittings Checklist

Please check the pack contents before assembling the product. If any components are missing, please contact your retailer.

The fittings pack contains small items that should be kept away from children.



General Hints & Tips



NERVATA OAK SIDEBOARD ASSEMBLY INSTRUCTIONS

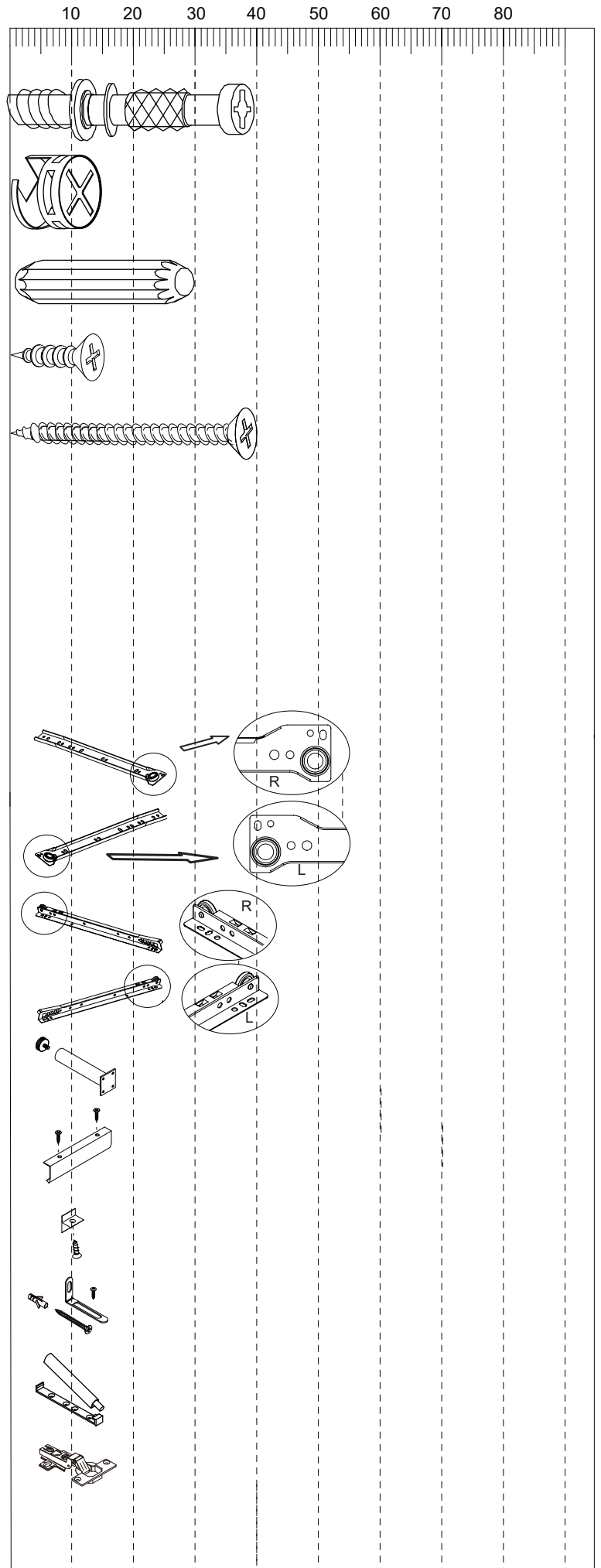
All parts are packed in one carton

1	2	3
Description: TOP PANEL Qty: 1 Size: 390x1159x15mm Carton No: 1/2	Description: BOTTOM PANEL Qty: 1 Size: 390x1159x15mm Carton No: 1/2	Description: LEFT SIDE PANEL Qty: 1 Size: 388x522x15mm Carton No: 2/2
4	5	6
Description: RIGHT SIDE PANEL Qty: 1 Size: 388x522x15mm Carton No: 2/2	Description: MIDDLE PANEL(LEFT) Qty: 1 Size: 352x522x15mm Carton No: 2/2	Description: MIDDLE PANEL(RIGHT) Qty: 1 Size: 352x522x15mm Carton No: 2/2
7	8	9
Description: SHELF Qty: 2 Size: 350x365x15mm Carton No: 2/2	Description: DOOR LEFT Qty: 1 Size: 371x515x18mm Carton No: 1/2	Description: DOOR RIGHT Qty: 1 Size: 371x515x18mm Carton No: 1/2
10	11	12
Description: DRAWER FRONT PANEL Qty: 3 Size: 169x371x18mm Carton No: 2/2	Description: DRAWER LEFT SIDE PANEL Qty: 3 Size: 110x330x15mm Carton No: 2/2	Description: DRAWER RIGHT SIDE PANEL Qty: 3 Size: 110x330x15mm Carton No: 2/2
13	14	15
Description: DRAWER BACK SIDE PANEL Qty: 3 Size: 110x310x15mm Carton No: 2/2	Description: DRAWER BOTTOM Qty: 3 Size: 322x318x2.7mm Carton No: 2/2	Description: BACK PANEL (LOWER) Qty: 1 Size: 264x1133x2.7mm Carton No: 1/2
16	17	
Description: BACK PANEL SLIDE Qty: 1 Size: 1122mm Carton No: 1/2	Description: BACK PANEL (UPPER) Qty: 1 Size: 264x1133x2.7mm Carton No: 1/2	

NERVATA OAK SIDEBOARD ASSEMBLY INSTRUCTIONS

Fittings (to scale)

Code	Item	Quantity
A	CAM BOLT (7x39mm)	22
B	CAM NUT	22
C	DOWEL (8x30mm)	36
D	SCREW (3.5x14mm)	76
E	SCREW (5x40mm)	14

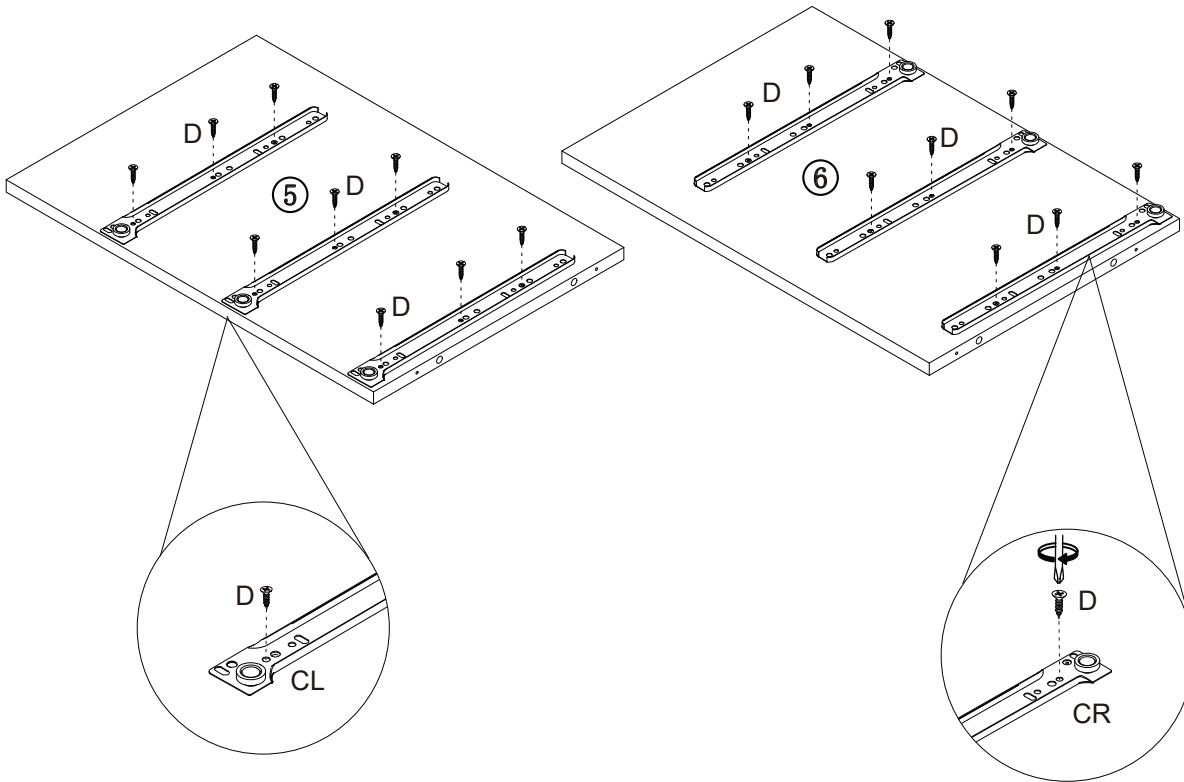


Fittings (not to scale)

Code	Item	Quantity
CR	CABINET RUNNER-RIGHT	3
CL	CABINET RUNNER-LEFT	3
DR	DRAWER RUNNER-RIGHT	3
DL	DRAWER RUNNER-LEFT	3
F	LEG (170x60x50mm)	5
G	HANDLE	3
H	CORNER FIXING	10
I	WALL FIXING	2
J	MAGNET SNAPPER	2
K	HINGE	4

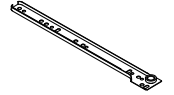
NERVATA OAK SIDEBOARD ASSEMBLY INSTRUCTIONS

STEP 1

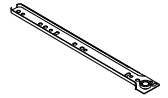


For this step:
Tools required

Fittings required



CL X3

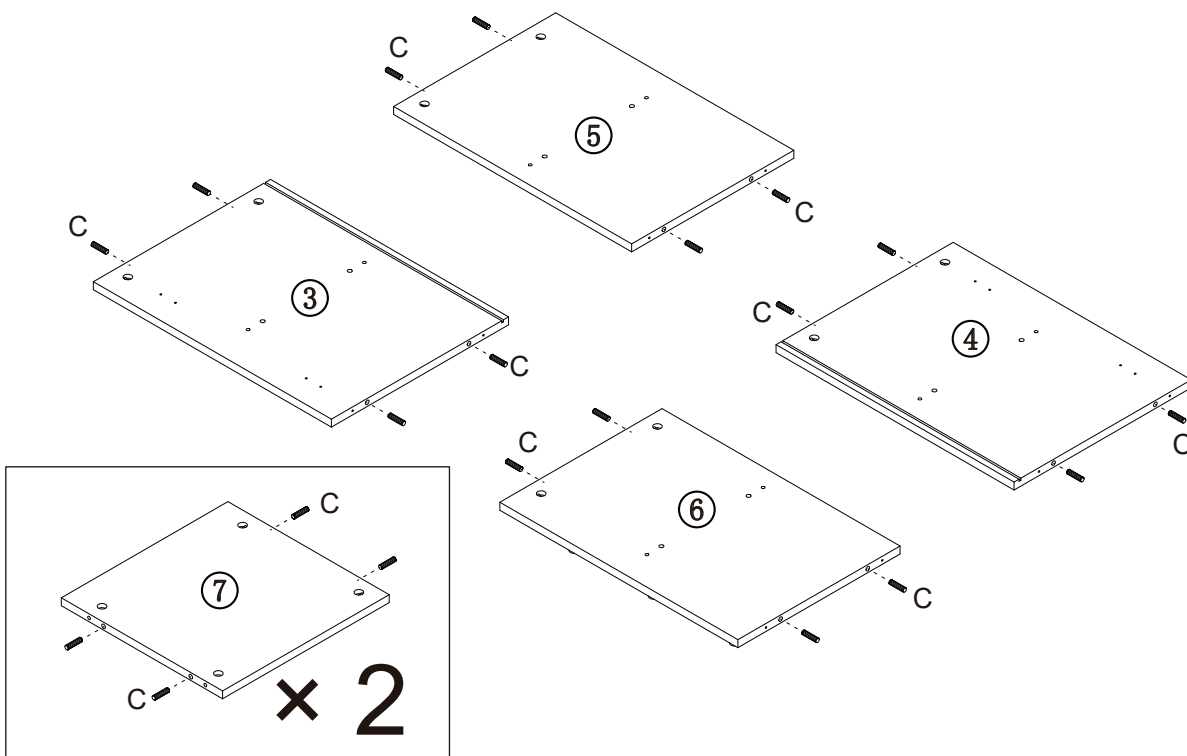


CR X3



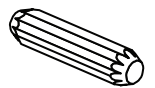
D X18

STEP 2



For this step:
Tools required

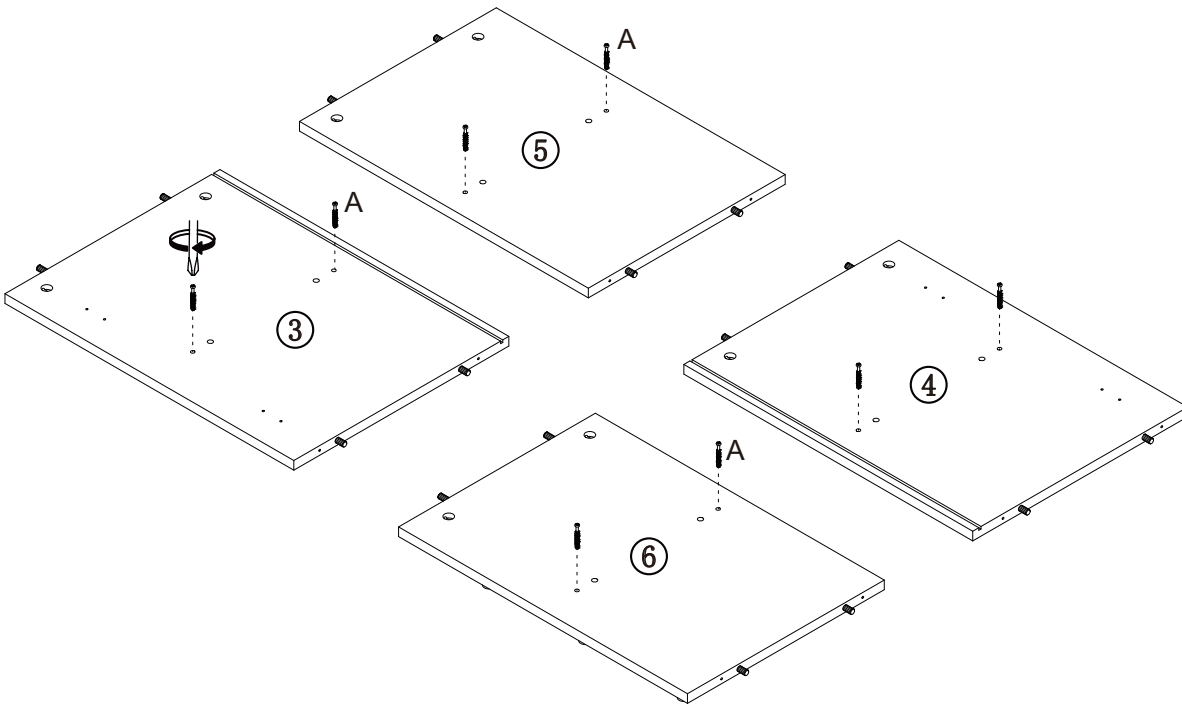
Fittings required



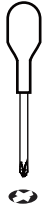
C X24

NERVATA OAK SIDEBOARD ASSEMBLY INSTRUCTIONS

STEP 3



For this step:
Tools required

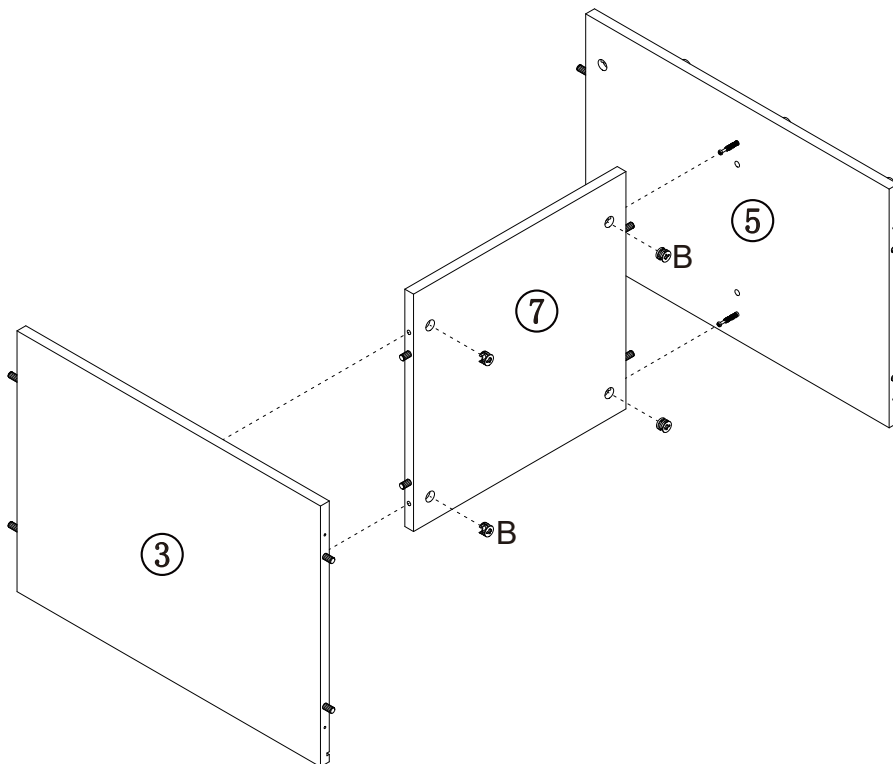


Fittings required



A x8

STEP 4



For this step:
Tools required



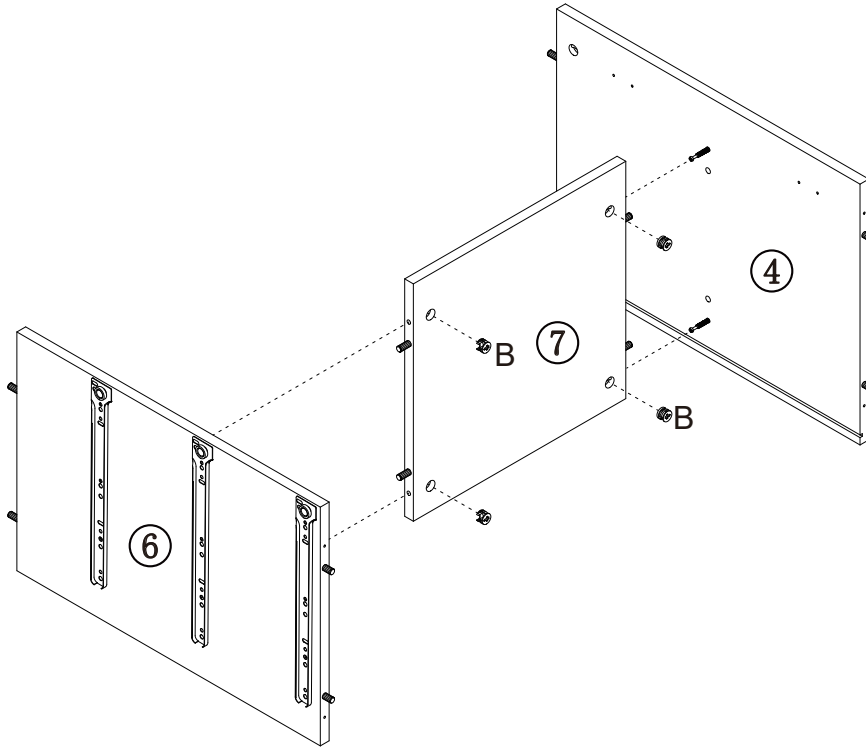
Fittings required



B X4

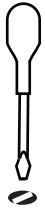
NERVATA OAK SIDEBOARD ASSEMBLY INSTRUCTIONS

STEP 5



For this step:

Tools required

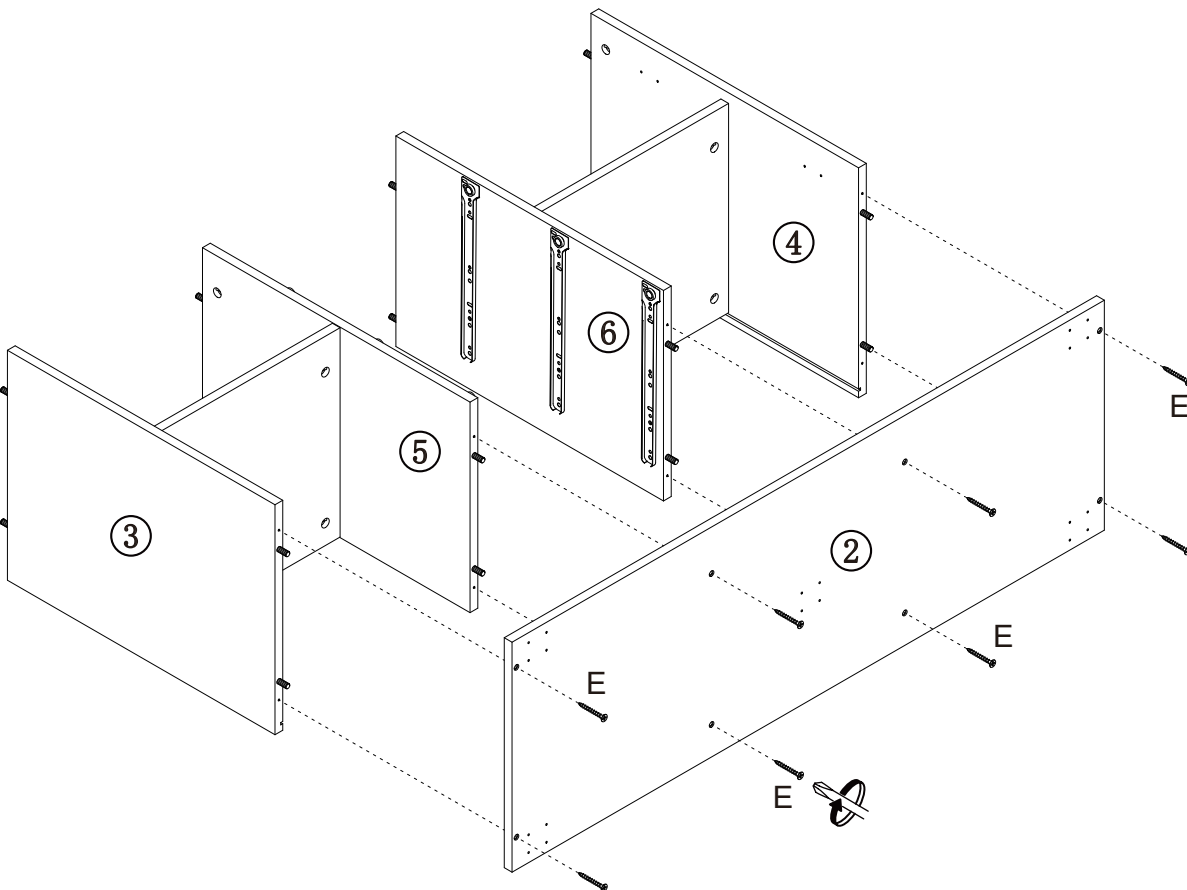


Fittings required



B X4

STEP 6

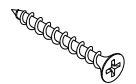


For this step:

Tools required



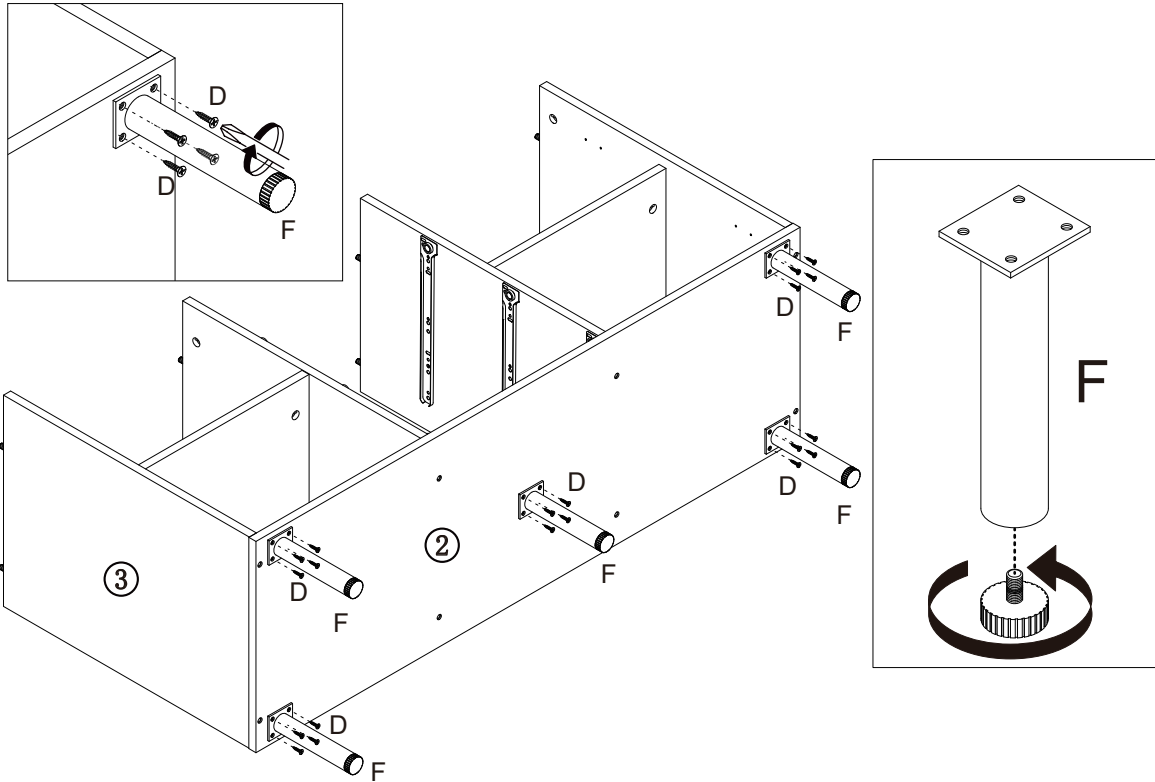
Fittings required



E x8

NERVATA OAK SIDEBOARD ASSEMBLY INSTRUCTIONS

STEP 7



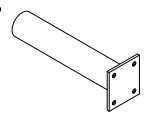
For this step:
Tools required



Fittings required

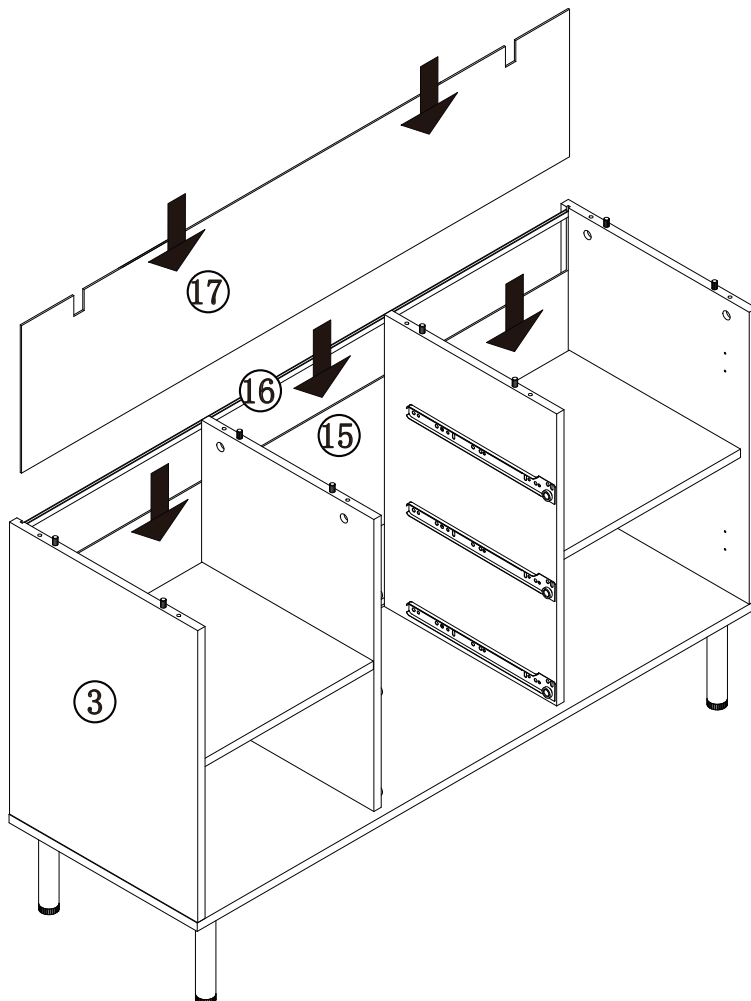


D x20



F x5

STEP 8

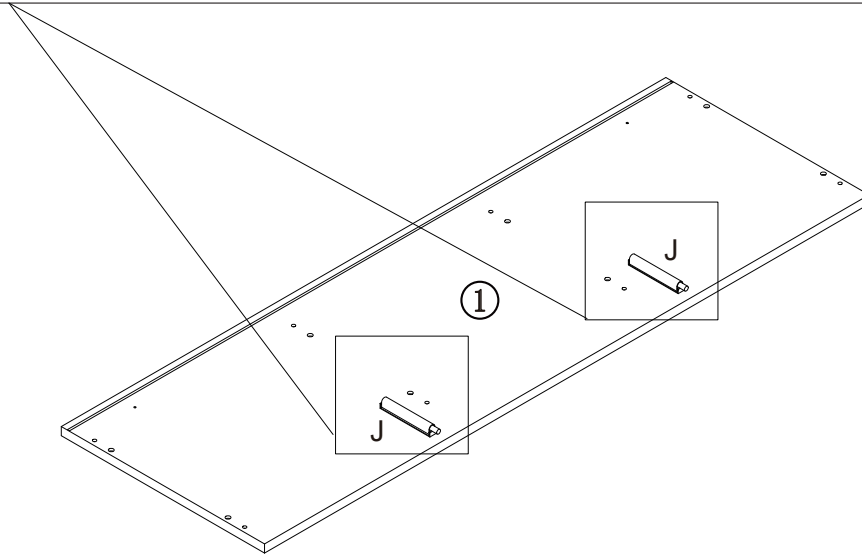
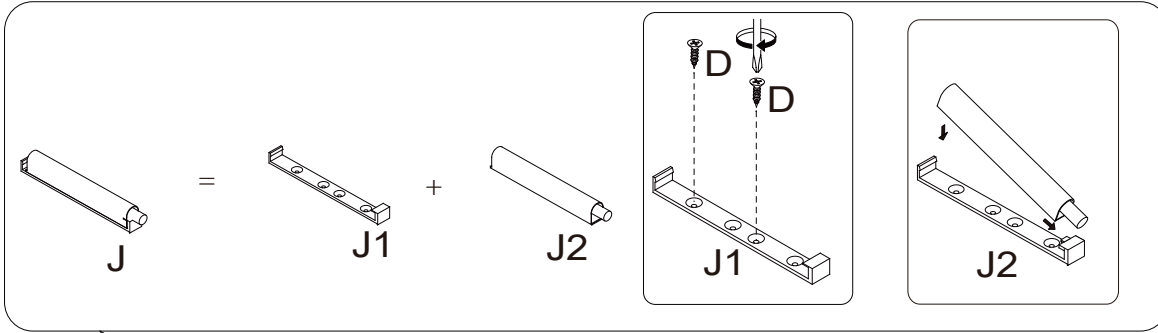


For this step:
Tools required

Fittings required

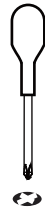
NERVATA OAK SIDEBOARD ASSEMBLY INSTRUCTIONS

STEP 9



For this step:

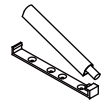
Tools required



Fittings required

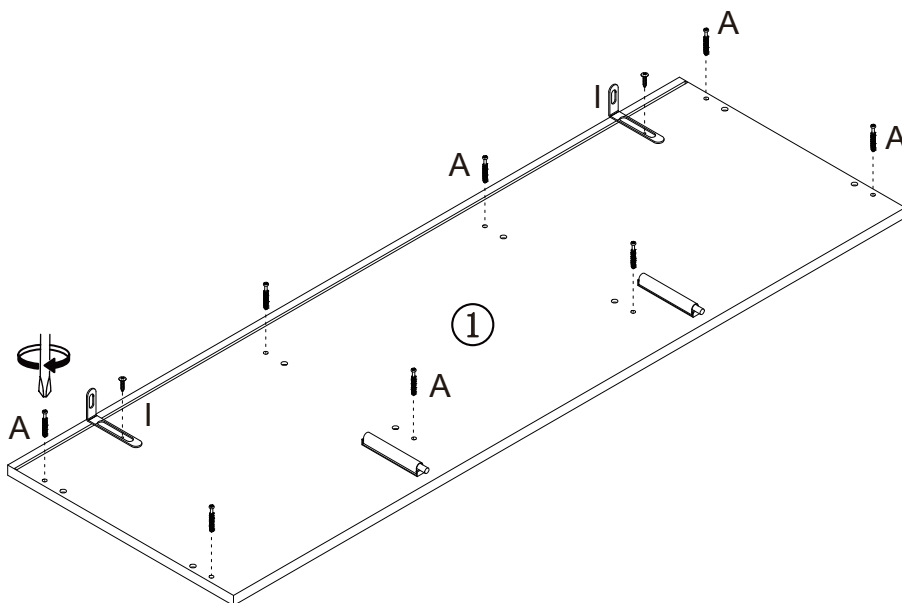


D x4



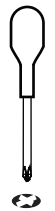
J x2

STEP 10



For this step:

Tools required



Fittings required



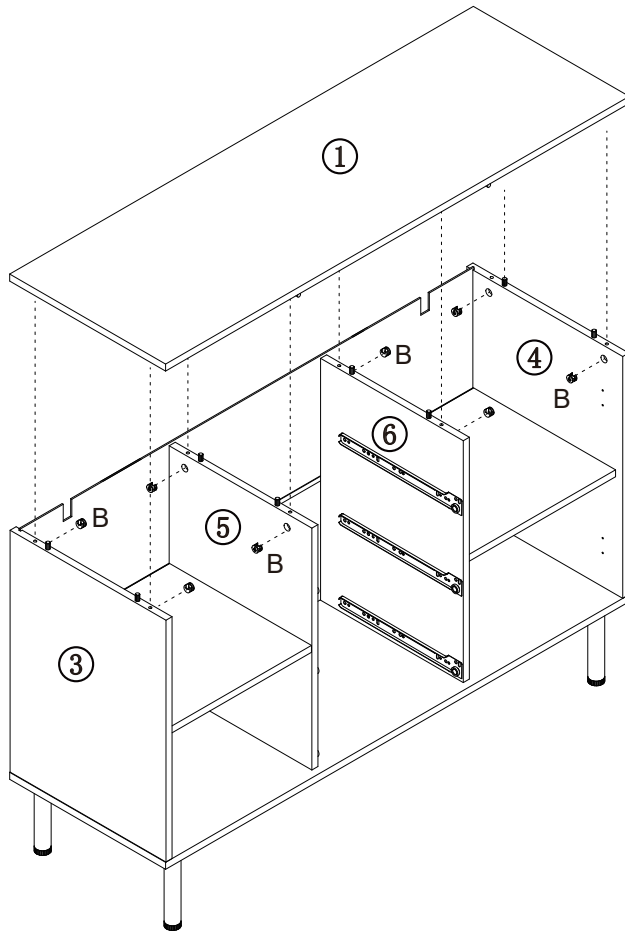
A x8



I x2

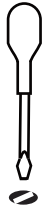
NERVATA OAK SIDEBORD ASSEMBLY INSTRUCTIONS

STEP 11



For this step:

Tools required

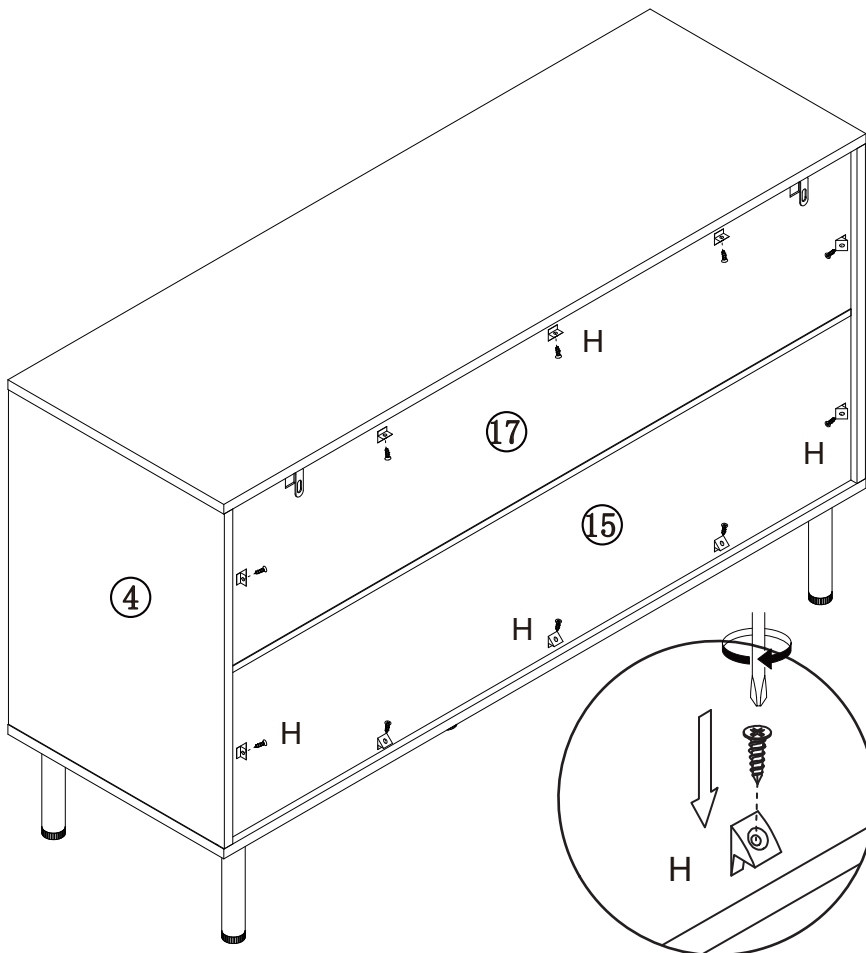


Fittings required



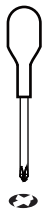
B X8

STEP 12

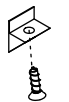


For this step:

Tools required



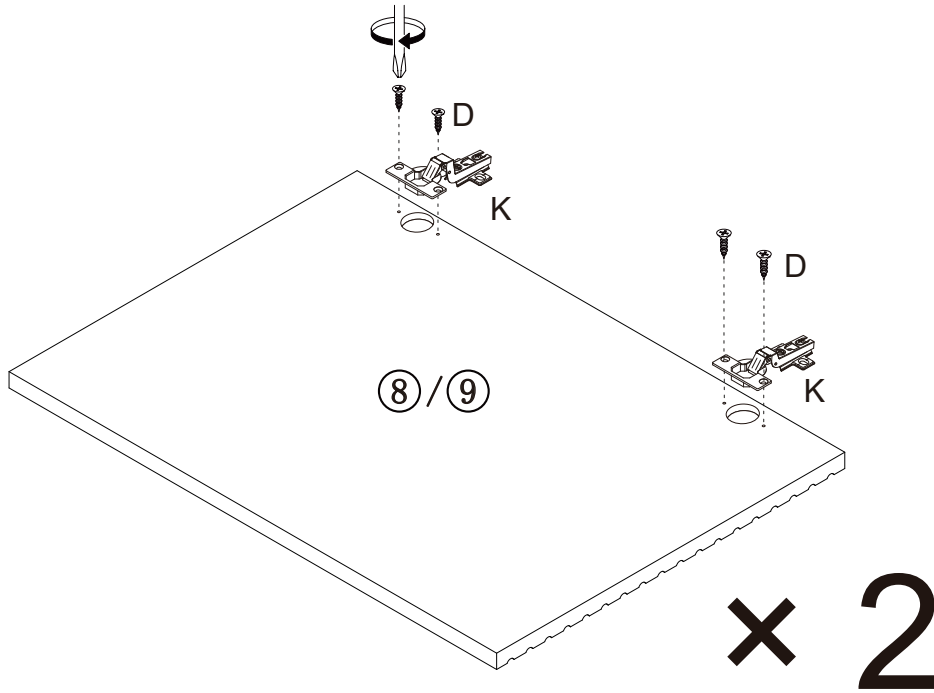
Fittings required



H X10

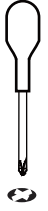
NERVATA OAK SIDEBOARD ASSEMBLY INSTRUCTIONS

STEP 13



For this step:

Tools required



Fittings required

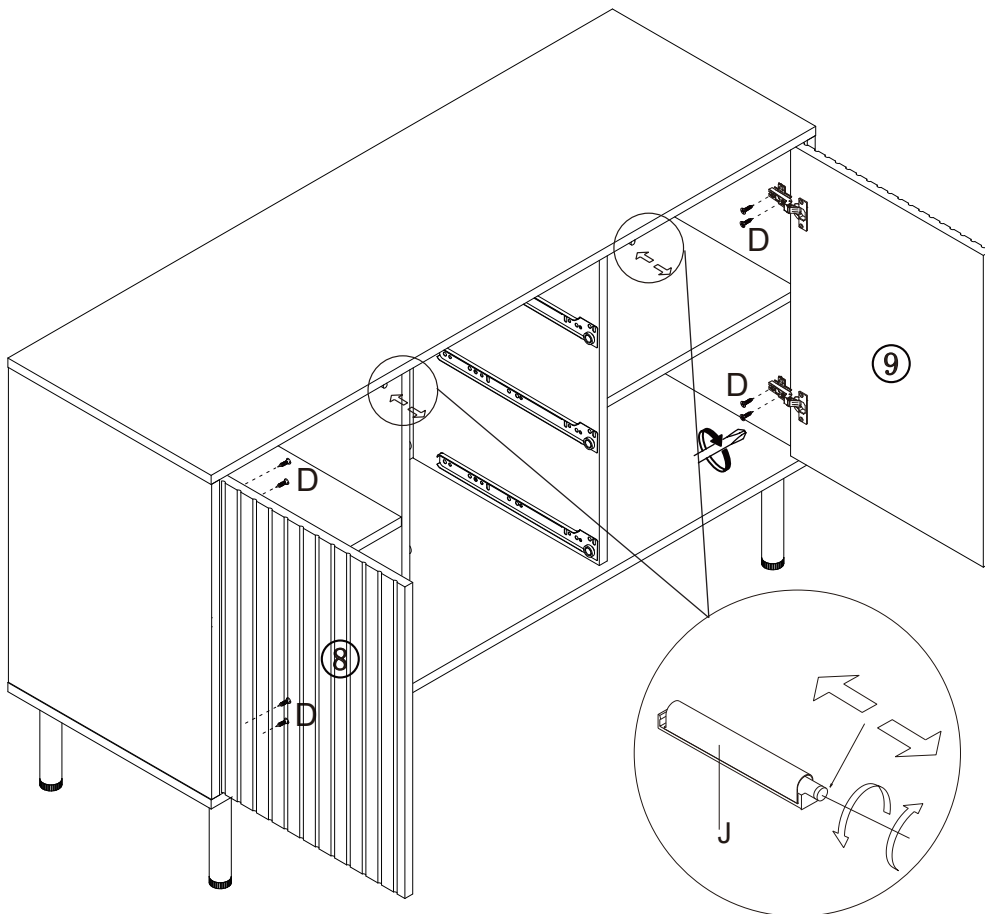


D x8



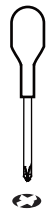
K x4

STEP 14



For this step:

Tools required



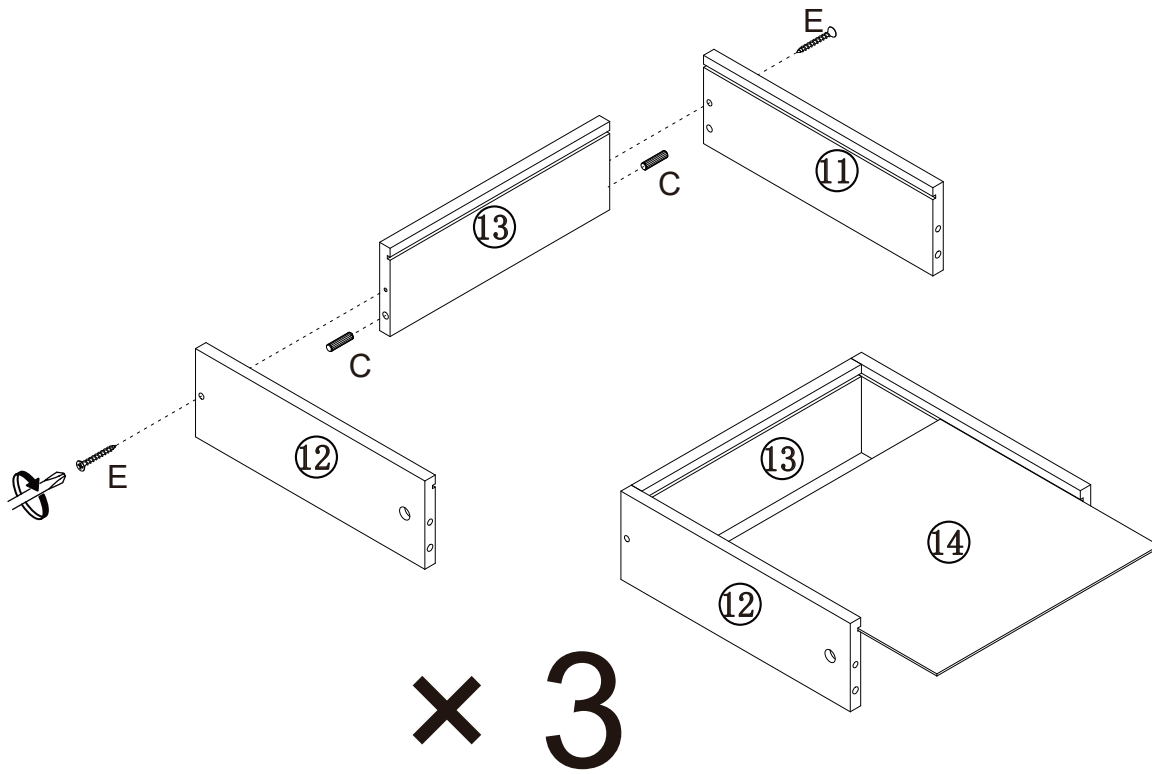
Fittings required



D x8

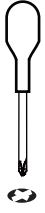
NERVATA OAK SIDEBOARD ASSEMBLY INSTRUCTIONS

STEP 15

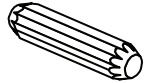


For this step:

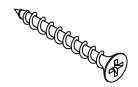
Tools required



Fittings required

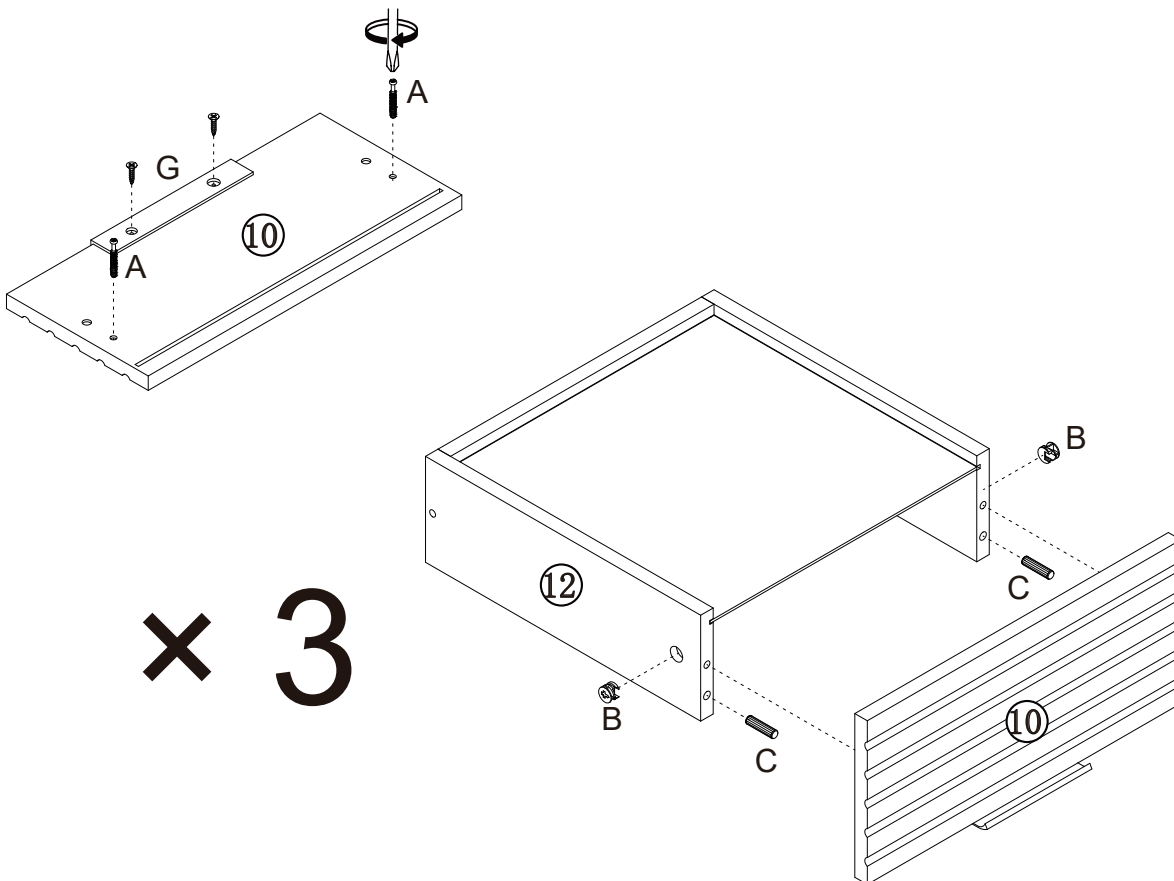


C x6



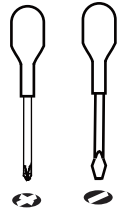
E x6

STEP 16



For this step:

Tools required



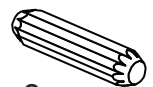
Fittings required



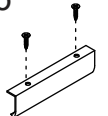
A x6



B x6



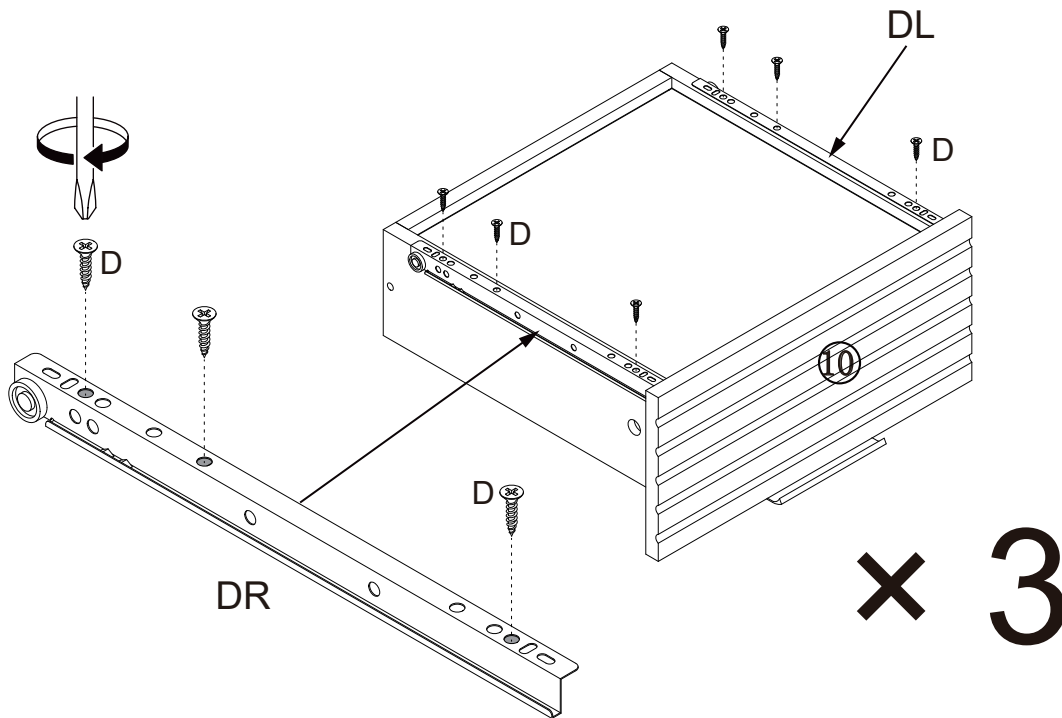
C x6



G x3

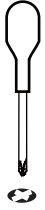
NERVATA OAK SIDEBOARD ASSEMBLY INSTRUCTIONS

STEP 17



For this step:

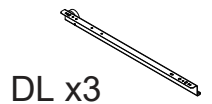
Tools required



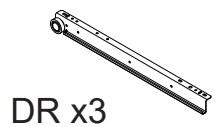
Fittings required



D x 18

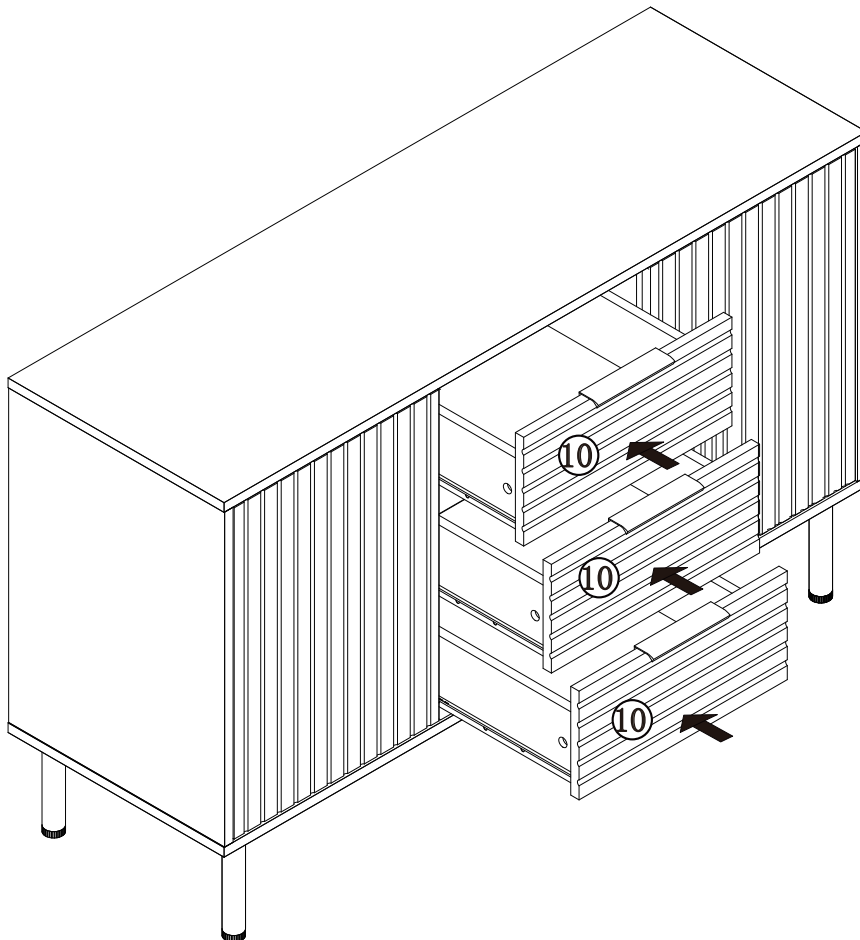


DL x 3



DR x 3

STEP 18



For this step:

Tools required

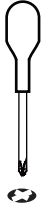
Fittings required

NERVATA OAK SIDEBOARD ASSEMBLY INSTRUCTIONS

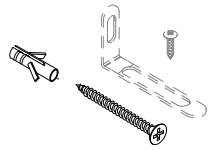
STEP 19

For this step:

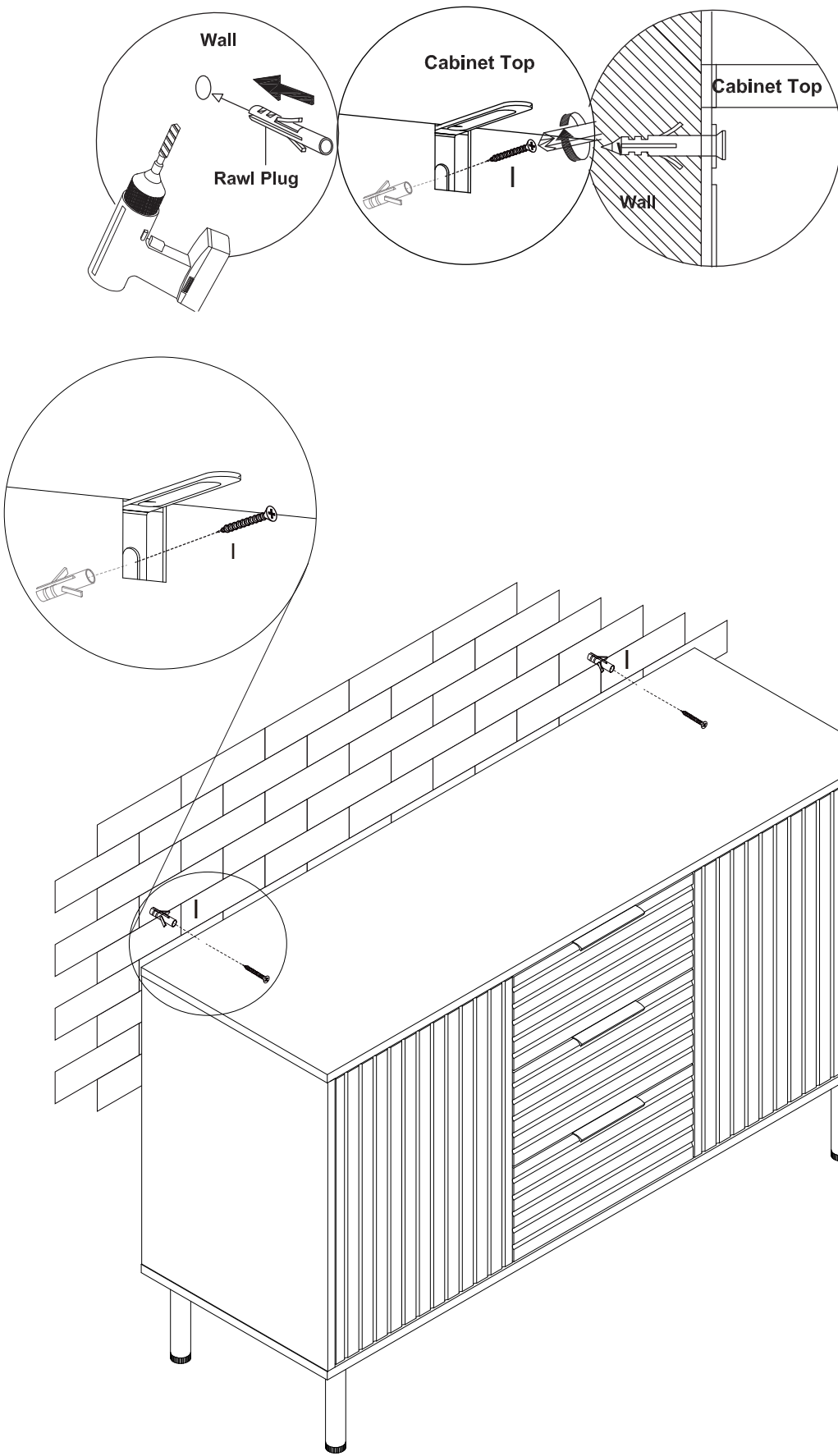
Tools required



Fittings required



1 x 2



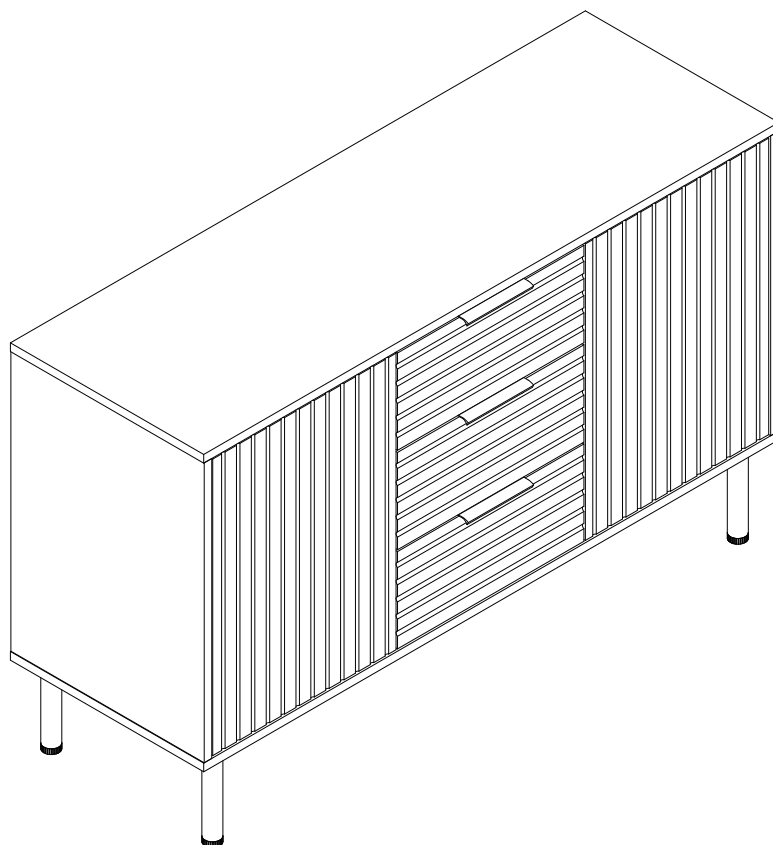
NERVATA OAK SIDEBOARD ASSEMBLY INSTRUCTIONS

Assembly Completed

Your NERVATA OAK SIDEBOARD is now completely assembled.

Periodically check to ensure that the components are in their proper position, free from damage.

Also, make sure the connectors are tight and secure.



Keep instructions for future reference

