

Birlea®

Assembly Instructions

**Thank you for
purchasing a
Birlea product**

For a chance to win a Love2Shop voucher simply post a picture of your new product on your preferred social channels tagging Birlea Furniture. One winner will be selected at random each month.

*Terms & conditions may apply.

Are you happy with your purchase?

Yes: That's great, we would love to hear more from you. Please leave us a review on our Trustpilot link on the QR code here. Your feedback will be greatly appreciated.



No: If for any reason there is something missing, indifferent or incorrect with your order, please contact the retailer that you purchased your item from.

Please note that this items build time is around: 30mins



www.birlea.com

ASSEMBLY INSTRUCTIONS AXEL FLUTED TV UNIT

IMPORTANT: READ THESE INSTRUCTIONS CAREFULLY BEFORE ASSEMBLING OR USING YOUR AXEL FLUTED TV UNIT.

PLEASE KEEP THESE INSTRUCTIONS FOR FUTURE REFERENCE.

ASSEMBLY:

Assembly should be carried out with this item laying flat, not standing upright.

Assemble on a soft, clean surface to prevent damages.

To erase the numbers printed on the pieces, use the rubber inside the accessories pack.

HEALTH & SAFETY:

DO NOT use this product if any parts are missing, damaged or worn.

DO NOT use this product unless all fixings are secured.

Always use on a level, even surface.

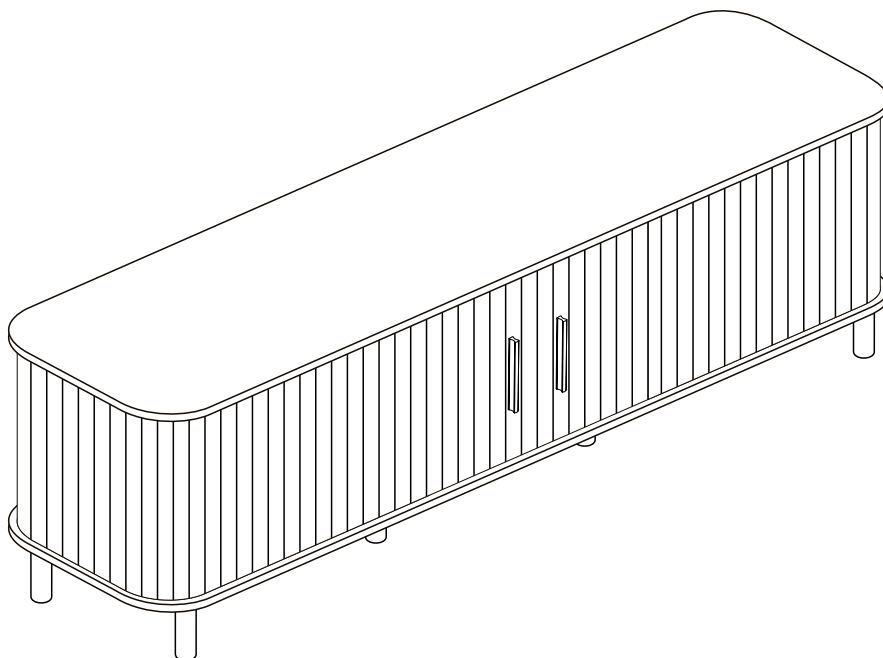
CARE & MAINTENANCE:

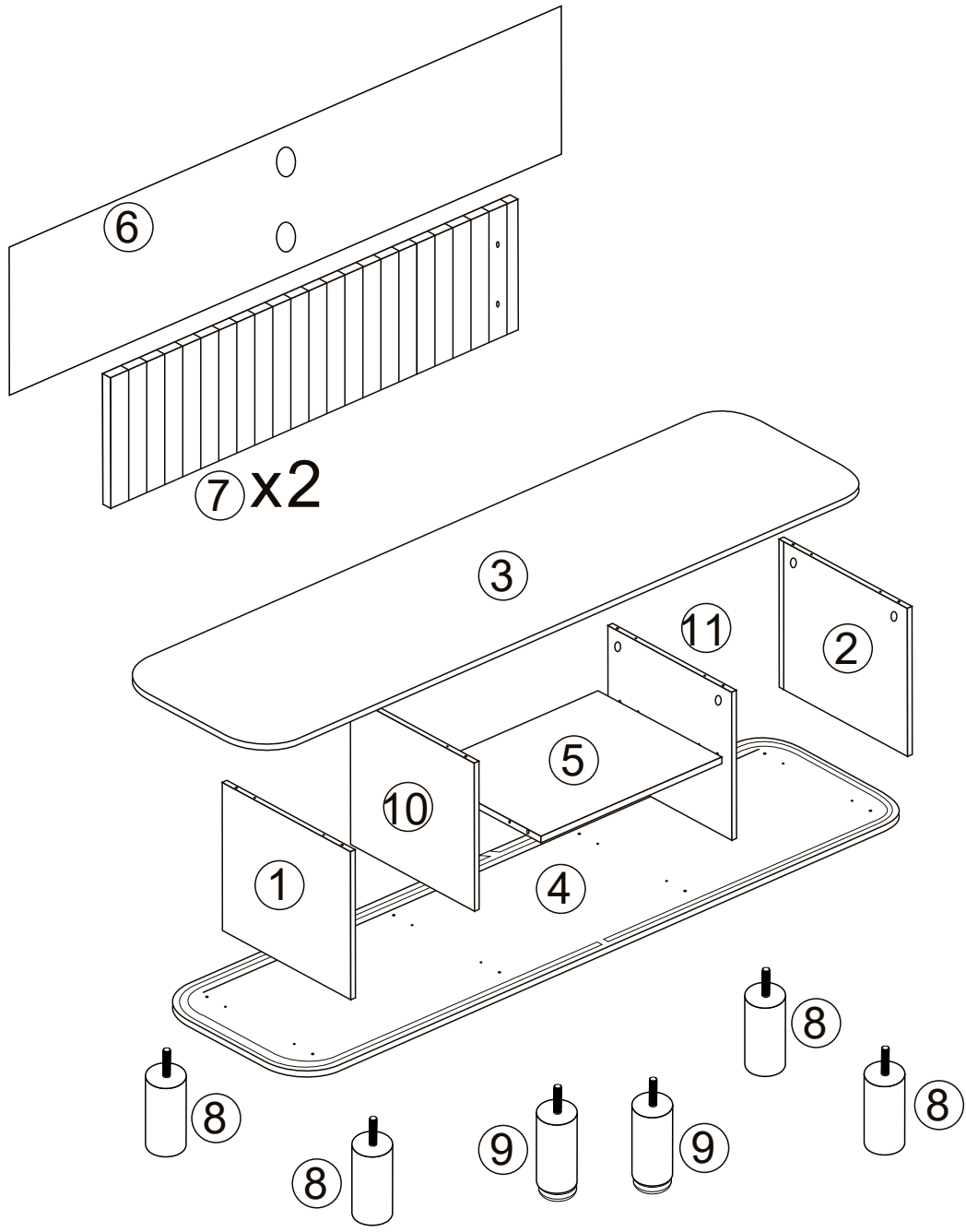
Periodically check all screws & fixings to ensure they are secure.














DO NOT push this product as this will cause damage.

Always lift this product with two people to repositions.

Keep any sharp objects away from this product.



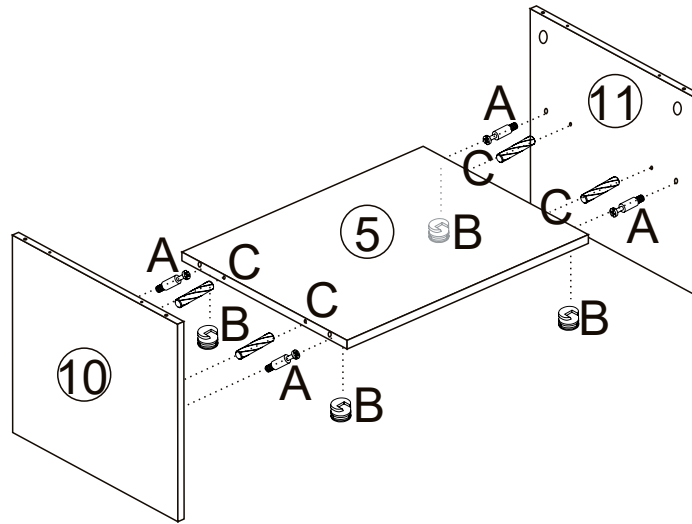


Parts List				Hardware List		
Part	Description	Box	QTY	Part	Description	QTY
1	Side Panel(Left)	1	1	A	Cam Bolt 	12
2	Side Panel(Right)	1	1	B	Cam Lock 	12
3	Top Panel	1	1	C	Wooden Dowel 	20
4	Bottom Panel	1	1	E	Handle Set 	2
5	Shelf Panel	1	1	H	Foot Pad 	4
6	Back Panel	1	1	I	Plastic Wedge Set 	6
7	Door Panel	1	2	J	Screw 	8
8	Wooden Leg	1	4	K	Sticker 	8
9	Middle Wooden Leg	1	2	L	Allen Key 	1
10	Median Septum(Left)	1	1	M	Washer 	2
11	Median Septum(Right)	1	1	N	Safe Strap 	2
				Q	Screw 	10
				R	Metal Sheet 	2

**** You will need a small mallet and a screwdriver for assembly.**
**** Some screws and wooden dowel may remain.**
**** Note : To secure the item to the wall.**

STEP 1: Attach the shelf panel(5) with the left&right median panel (10),(11)by hardware (A,B,C).
DO NOT use any power tools as this may damage the frame and will invalidate any claim.

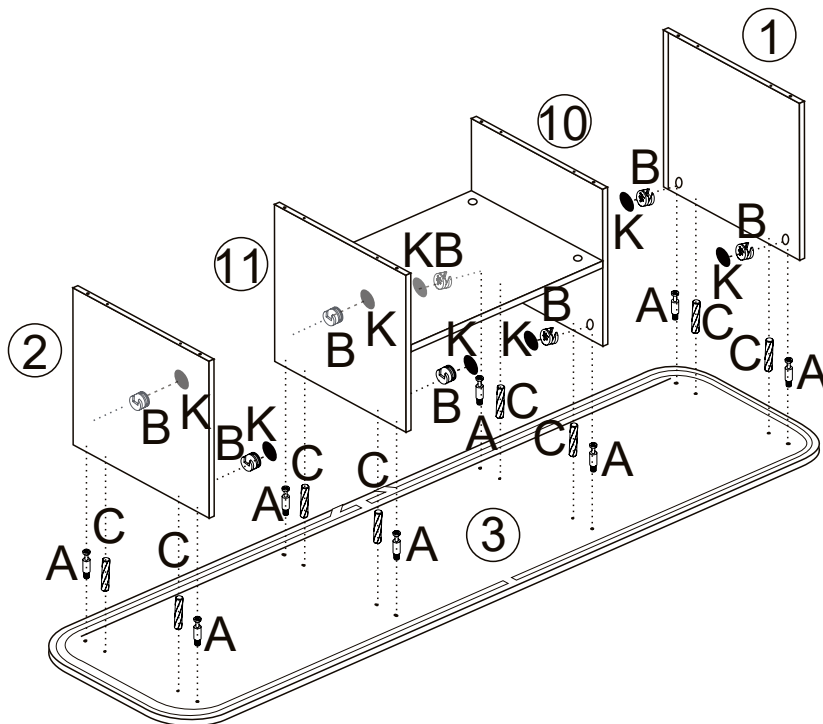
AX4
BX4
CX4



STEP 2: Attach the middle panel(10),(11), the left&right side panel (1),(2) with top panel (3) by hardware (A,B,C,K).

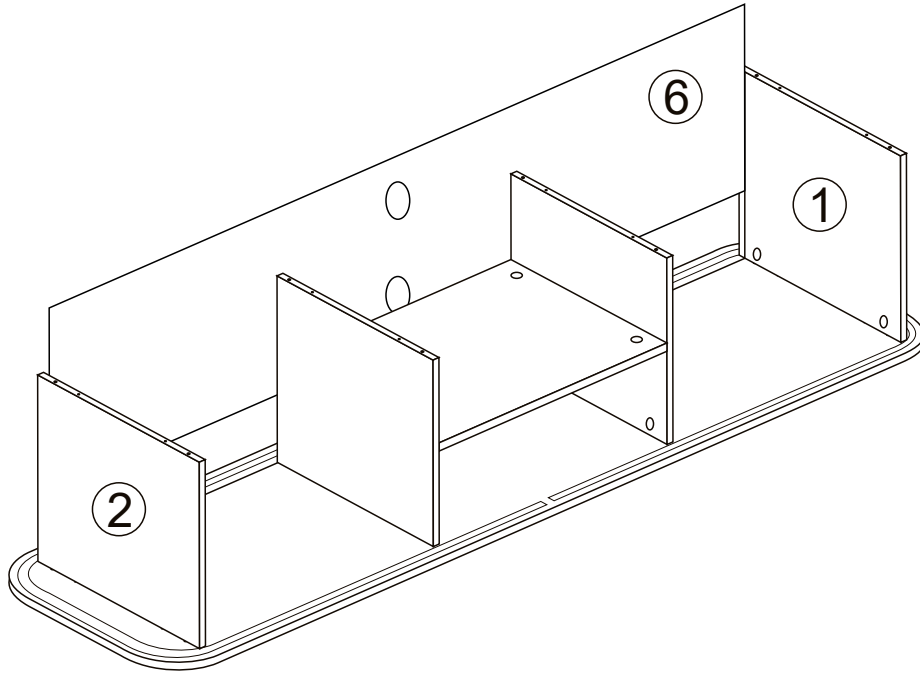
DO NOT use any power tools as this may damage the frame and will invalidate any claim.

AX8
BX8
CX8
KX8



STEP 3: Insert the back panel (6) with chest frame

DO NOT use any power tools as this may damage the frame and will invalidate any claim.

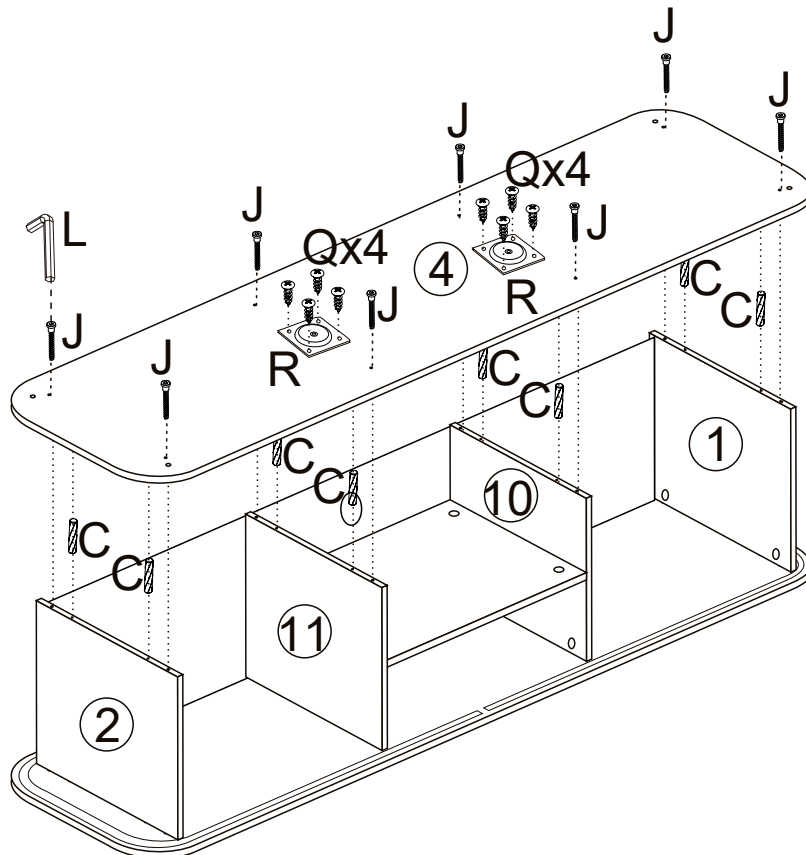


STEP 4: Attach the bottom panel (4) with the chest frame by hardware (C,J,L)

Then, attach the hardware (R) on the bottom panel (4) by hardware (Q).

DO NOT use any power tools as this may damage the frame and will invalidate any claim.

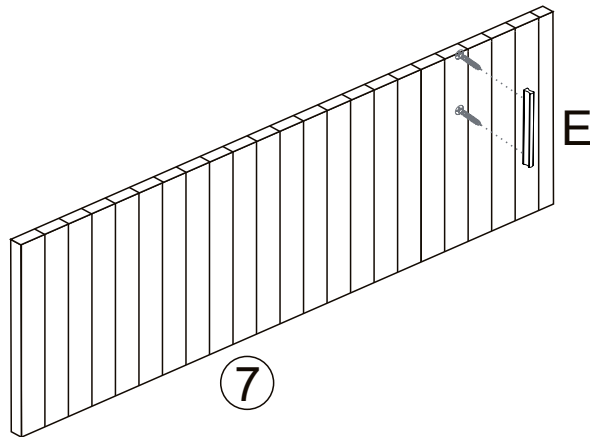
CX8
JX8
LX1
QX8
RX2



STEP 5: Attach the handle(E) with door panel (7).

DO NOT use any power tools as this may damage the frame and will invalidate any claim.

EX2



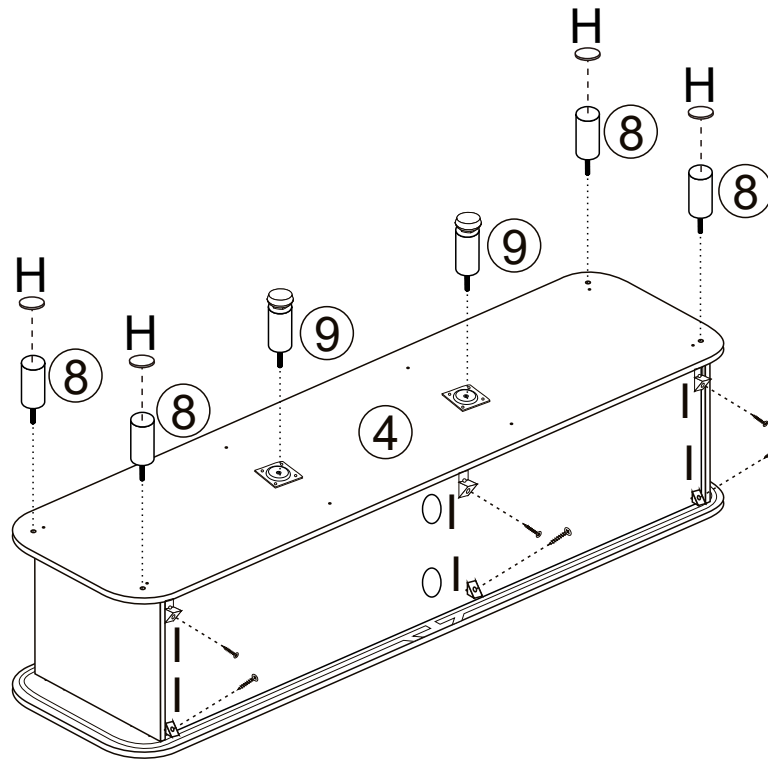
x2

STEP 6: Insert the leg(8),(9);Then,attach the foot pad (H);

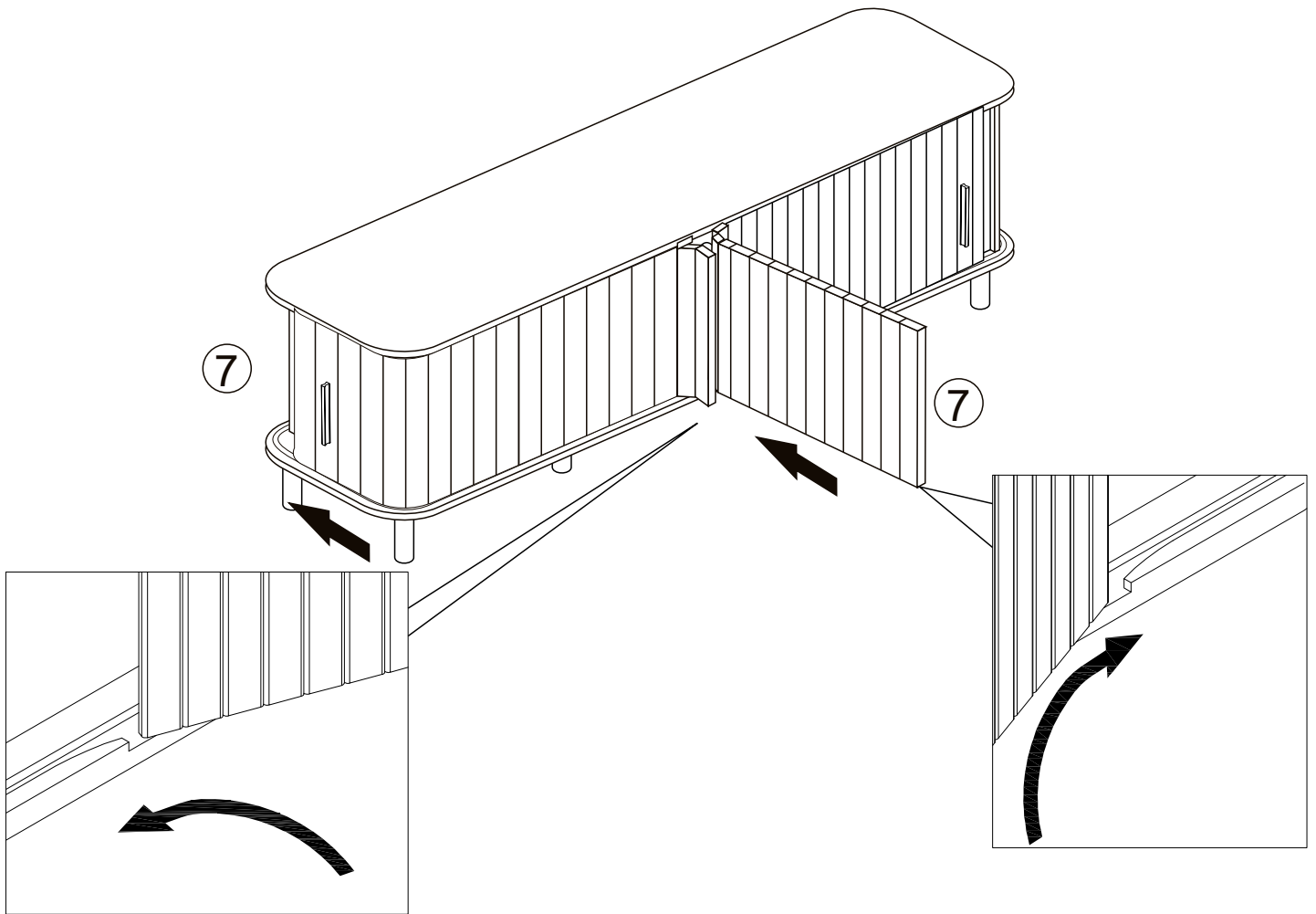
Attach the hardware (I) on the back.

DO NOT use any power tools as this may damage the frame and will invalidate any claim.

HX4
IX6

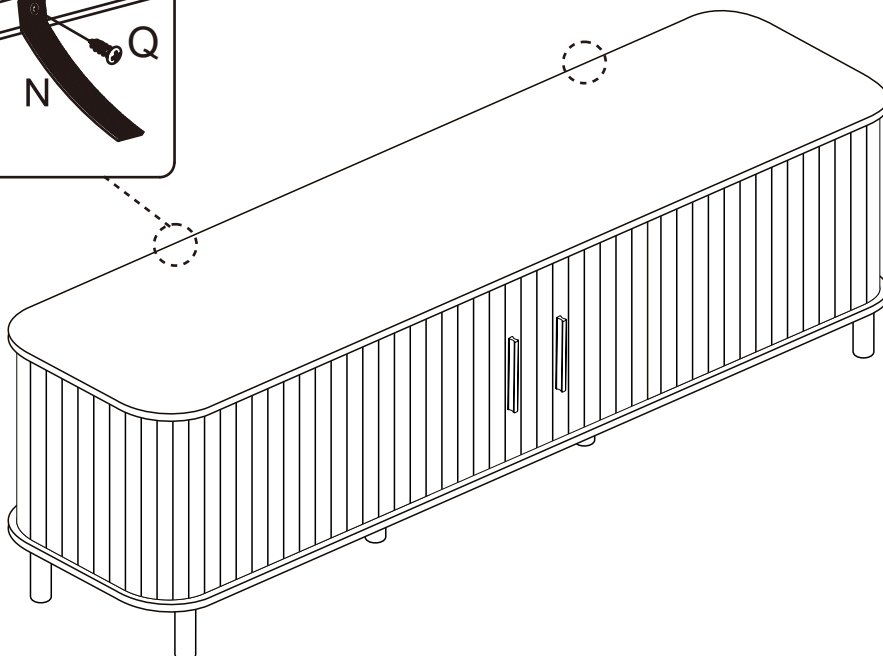
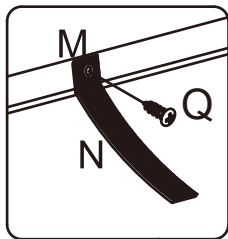


STEP 7: Insert two doors (7) by sliding each panel into the routed grooves at the back of the unit.
DO NOT use any power tools as this may damage the frame and will invalidate any claim.



STEP 8: Secure the safty strap(N) by hardware (M,Q).
DO NOT use any power tools as this may damage the frame and will invalidate any claim.

QX2
MX2
NX2



PLEASE NOTE that wall fixings are not supplied as different wall materials require different fixing devices. You must use fixings devices suitable for the type of wall you intend to mount product to. Ensure the head of any screw used has a diameter greater than the mounting hole and the fixing is safe and secure before use.



WARNING!

In order to prevent overturning this product must be used with the wall attachment device provided. Serious or fatal crushing injuries can occur from furniture tipping over. To help prevent topple over:-

- Use the wall attachment devices provided
- Never allow children to climb or hang on drawers or doors
- Do not overload the drawer beyond maximum recommended loading
- Place heaviest items in the lower drawers or shelves
- Unless specifically designed to accommodate, do not set TV's or other heavy objects on top of this product
- Never open more than one drawer at a time
- Do not hang things from the doors

An attachment device is provided with your product, however you will need to source suitable fixings for your wall type. If in doubt consult a qualified trades person.

Always ensure that the wall to be drilled into is free from hidden electrical wire, water and gas pipe.

Birlea Furniture advise that the wall straps provided should be used to further enhance the safety of this product.

Additional Information:

- For complete product information, images and dimension diagrams please visit the website www.birlea.com
- If you have any issues with your item please contact the retailer directly you purchased it from who will be able to resolve any issues with Birlea.
- Why don't you send us photos of your assembled furniture to info@birlea.com to be shared in our #birleahome feature on instagram.