

# Birlea®

## Assembly Instructions

---

Thank you for  
purchasing a  
Birlea product

For a chance to win a Love2Shop voucher simply post a picture of your new product on your preferred social channels tagging Birlea Furniture. One winner will be selected at random each month.

\*Terms & conditions may apply.

---

### Are you happy with your purchase?

**Yes:** That's great, we would love to hear more from you. Please leave us a review on our Trustpilot link on the QR code here. Your feedback will be greatly appreciated.



**No:** If for any reason there is something missing, indifferent or incorrect with your order, please contact the retailer that you purchased your item from.

Please note that this items build time is around: 30mins



[www.birlea.com](http://www.birlea.com)

## ASSEMBLY INSTRUCTIONS AXEL ROUND FLUTED DINING TABLE

IMPORTANT: READ THESE INSTRUCTIONS CAREFULLY BEFORE ASSEMBLING OR USING YOUR AXEL ROUND FLUTED DINING TABLE.

PLEASE KEEP THESE INSTRUCTIONS FOR FUTURE REFERENCE.

### **ASSEMBLY:**

Assembly should be carried out with this item laying flat, not standing upright.

Assemble on a soft, clean surface to prevent damages.

To erase the numbers printed on the pieces, use the rubber inside the accessories pack.

### **HEALTH & SAFETY:**

DO NOT use this product if any parts are missing, damaged or worn.

DO NOT use this product unless all fixings are secured.

Always use on a level, even surface.

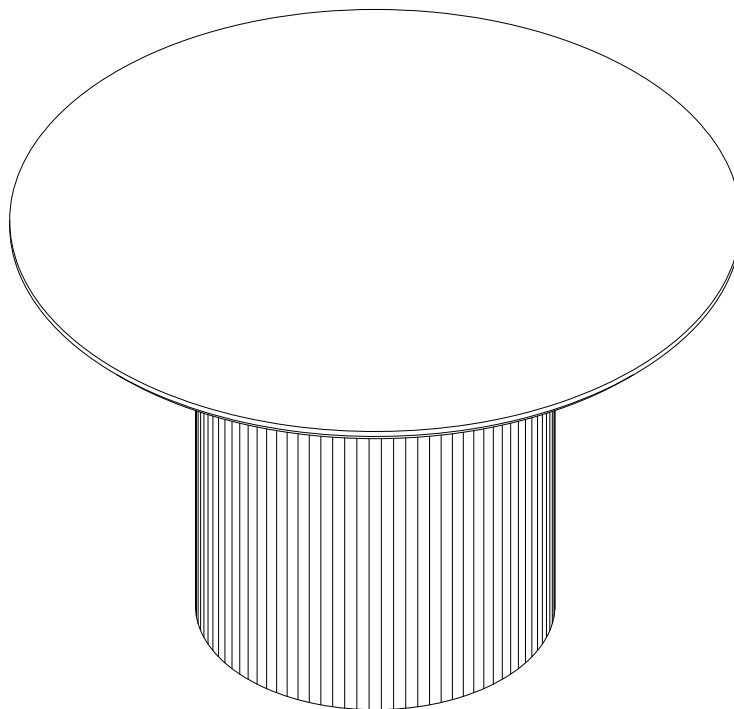
### **CARE & MAINTENANCE:**

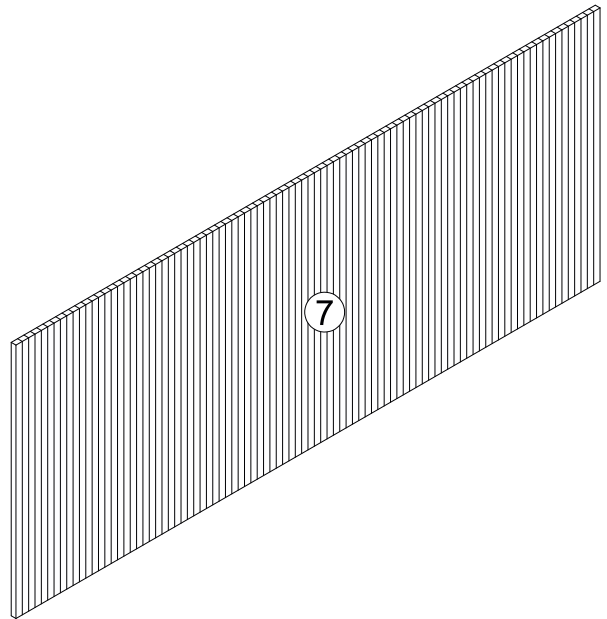
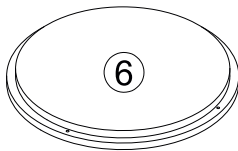
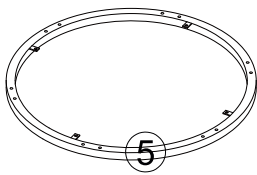
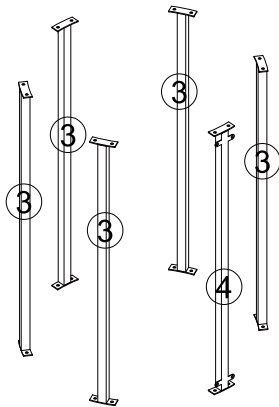
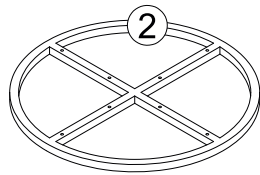
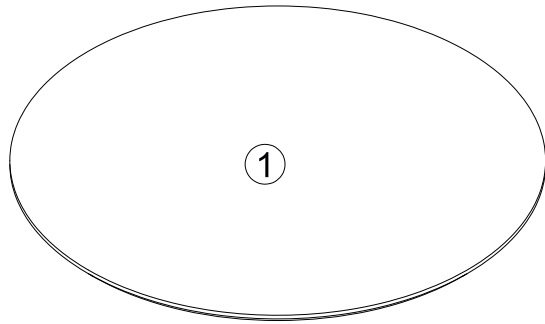
Periodically check all screws & fixings to ensure they are secure.

DO NOT push this product as this will cause damage.

Always lift this product with two people to repositions.

Keep any sharp objects away from this product.

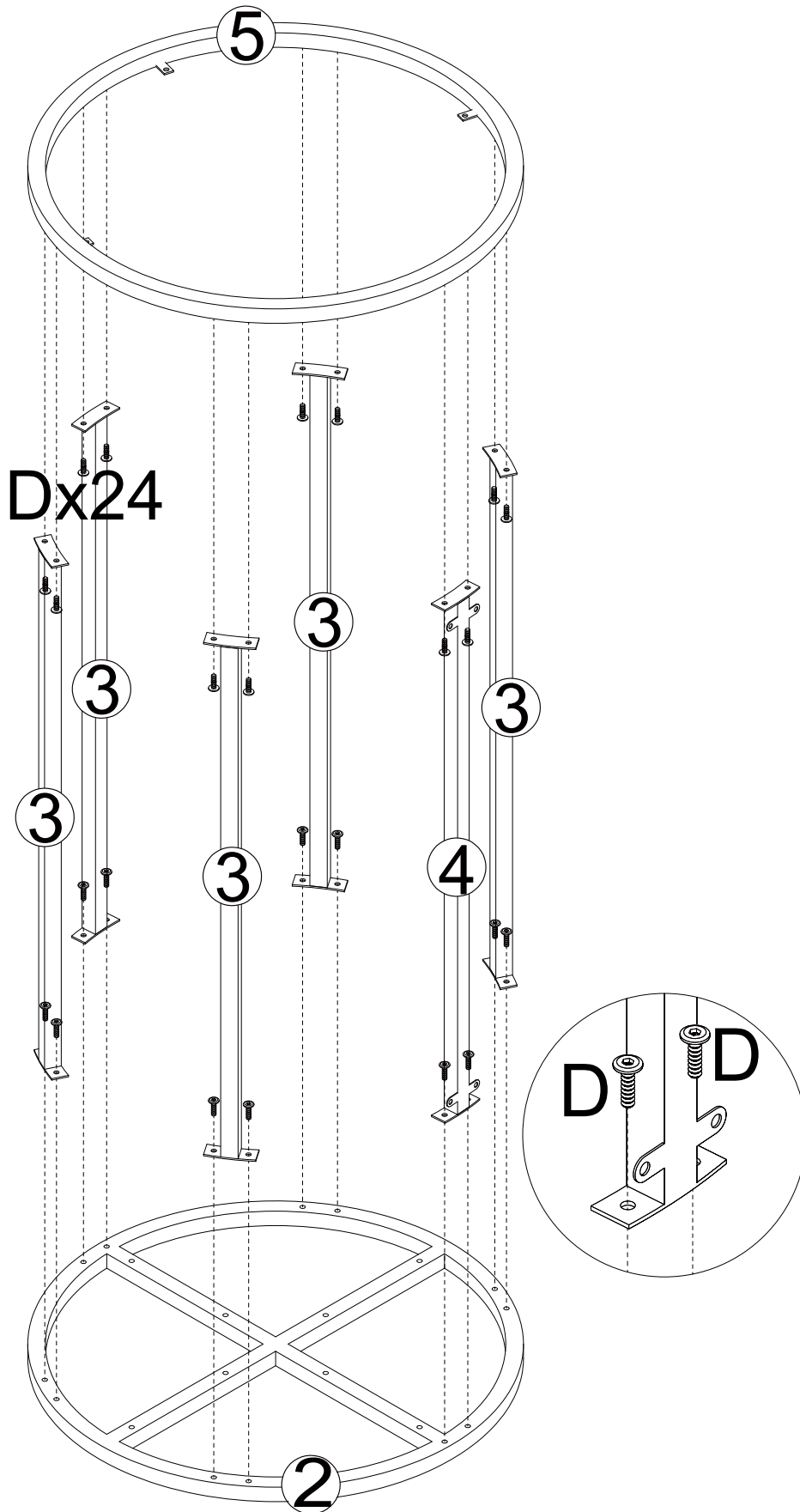






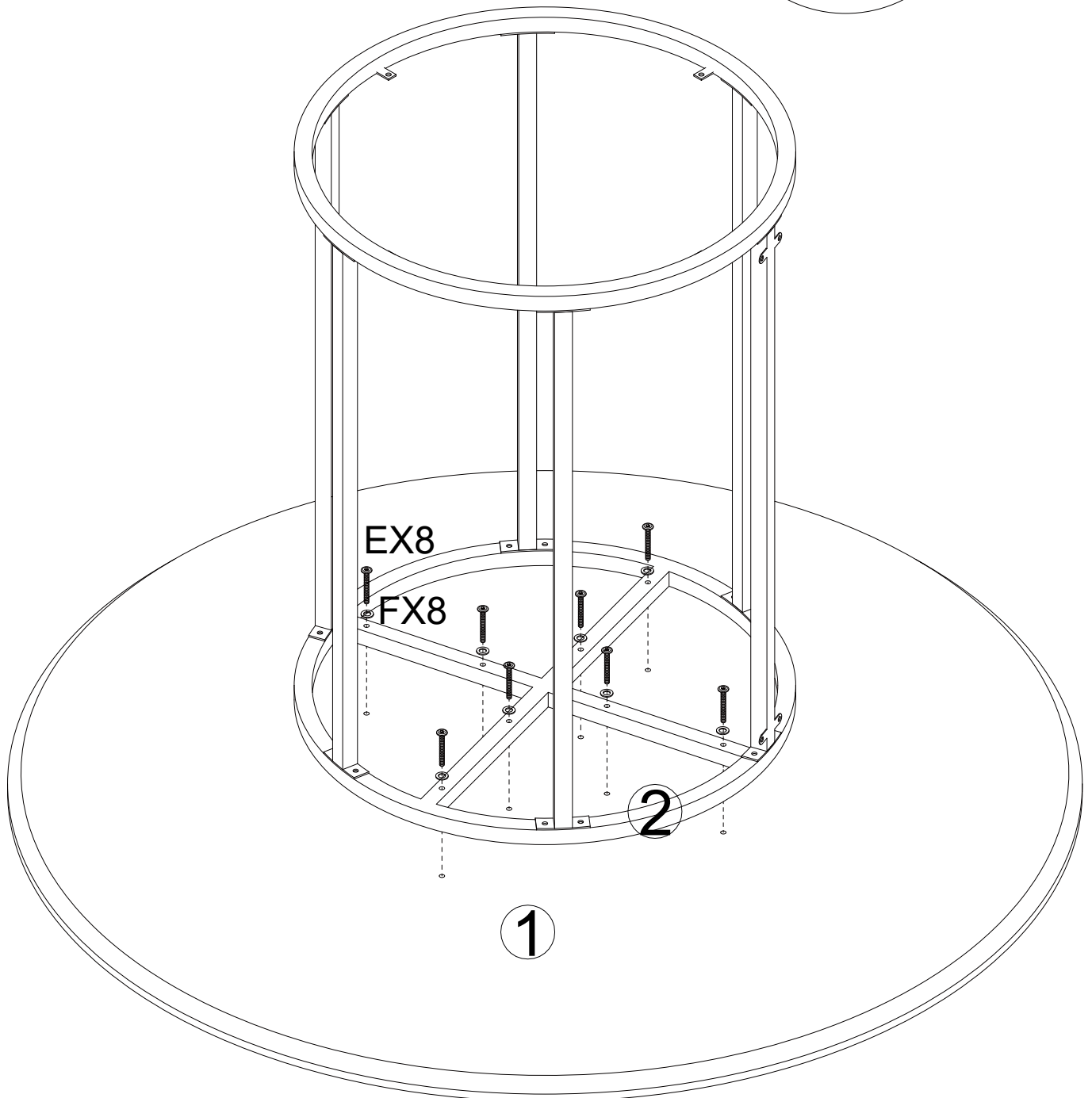
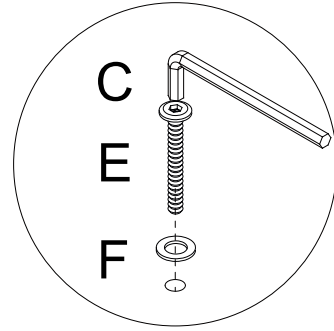
**STEP 1:** Secure 5 x metal support tube (3) and 1 x metal support tube with ear (4) with top & bottom metal frame (2) , (5) by 24 x screw (D) with allen key (C).  
**DO NOT use any power tools as this may damage the frame and will invalidate any claim.**

DX24
CX1



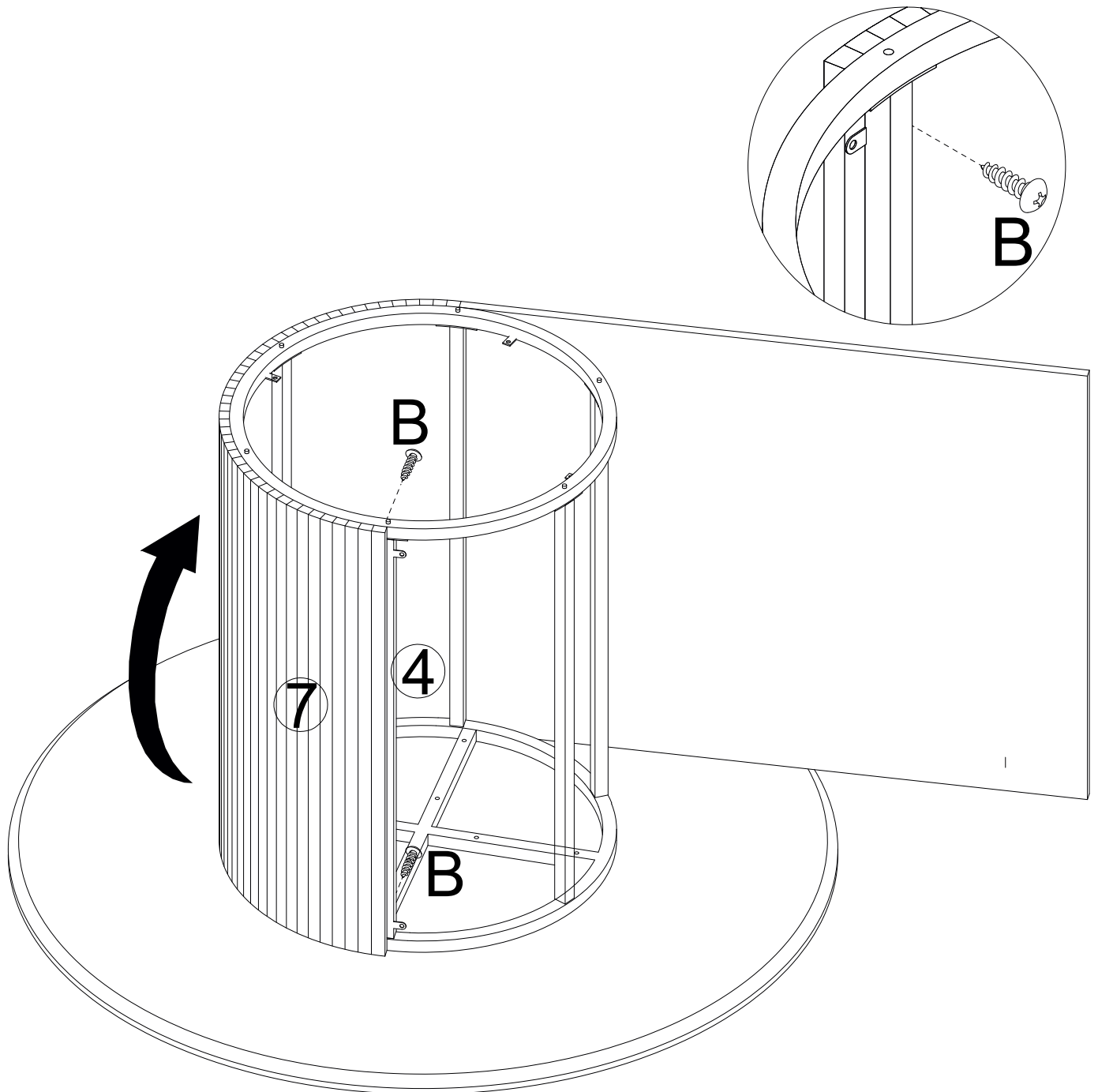
**STEP 2:** Secure the top metal frame (2) with top plate (1) by 8 x screw (E,F), allen key (C).  
**DO NOT use any power tools as this may damage the frame and will invalidate any claim.**

CX1
EX8
FX8



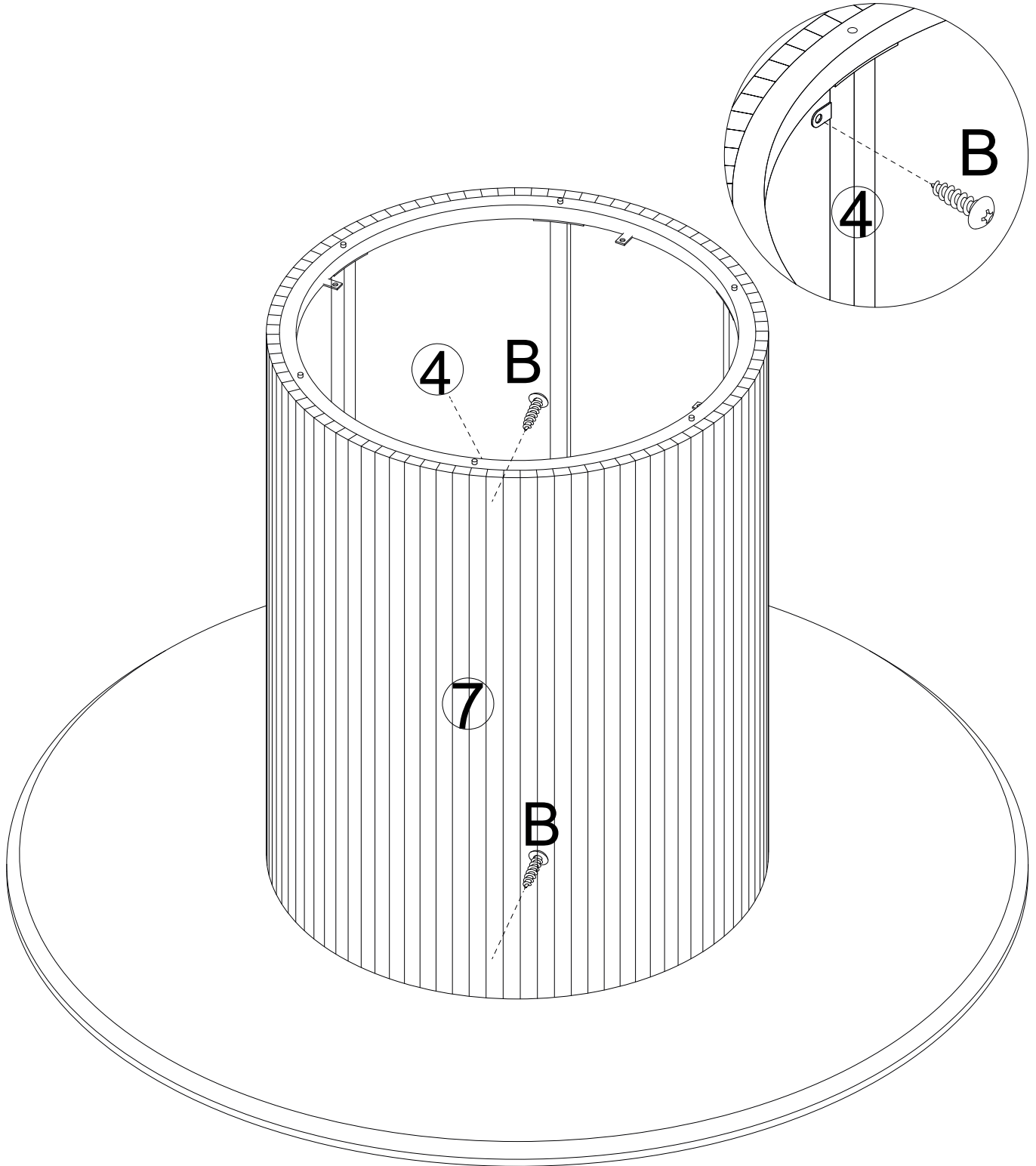
**STEP 3:** Ensure the position of the cladding plate align with the holes in the iron pipe.  
Then press the velcro on the cladding strip and iron pipe to secure it.  
Secure the metal support tube with ear (4) with cladding plate by 2 x screw (B).  
**DO NOT use any power tools as this may damage the frame and will invalidate any claim.**

BX2



**STEP 4:** Secure the metal support tube with ear (4) with cladding plate by 2 x screw (B).  
**DO NOT use any power tools as this may damage the frame and will invalidate any claim.**

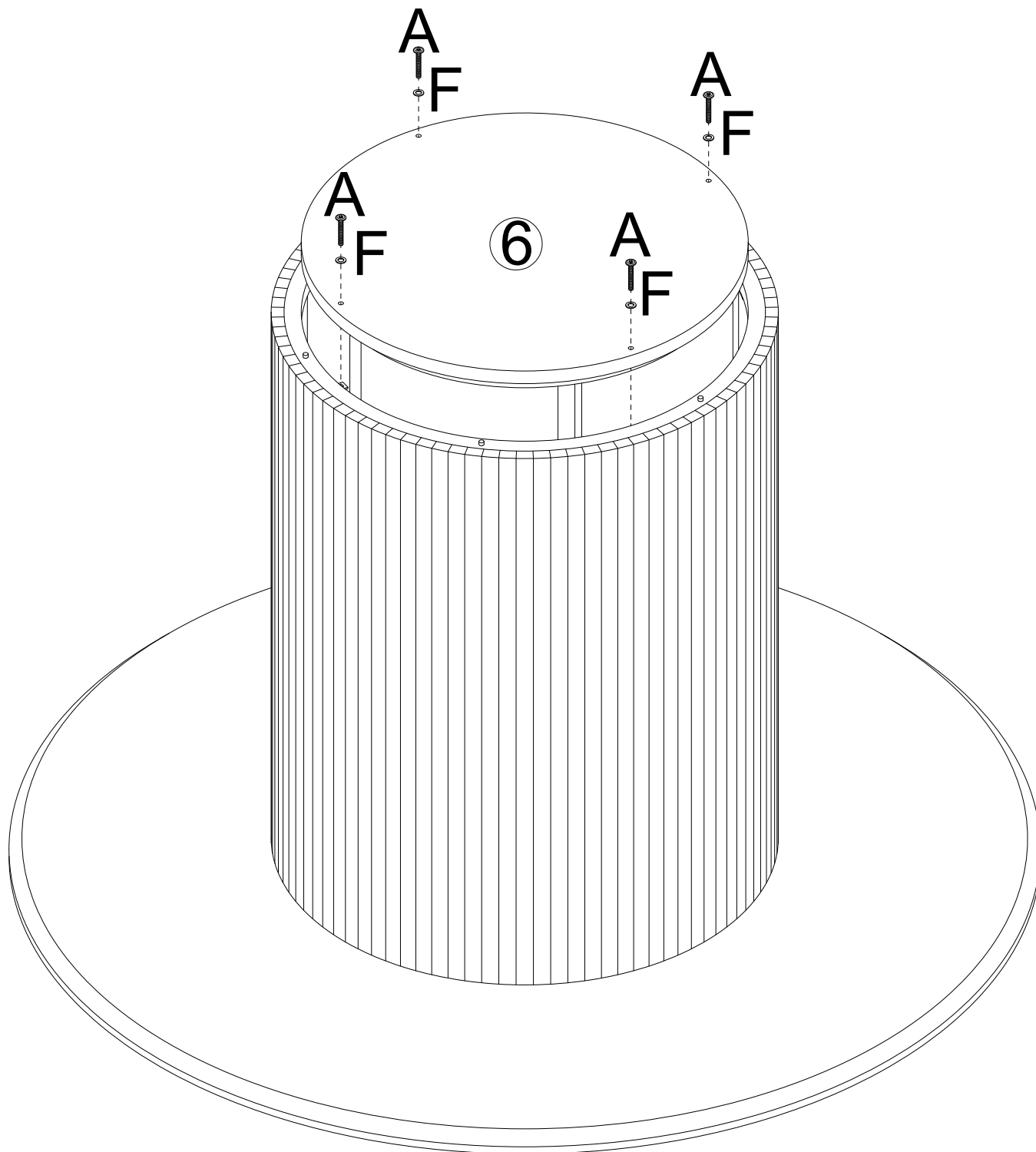
BX2





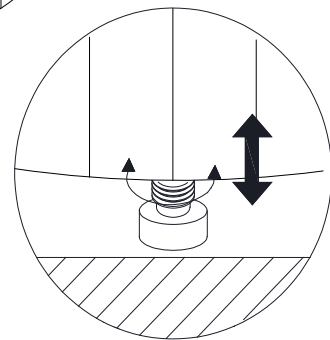
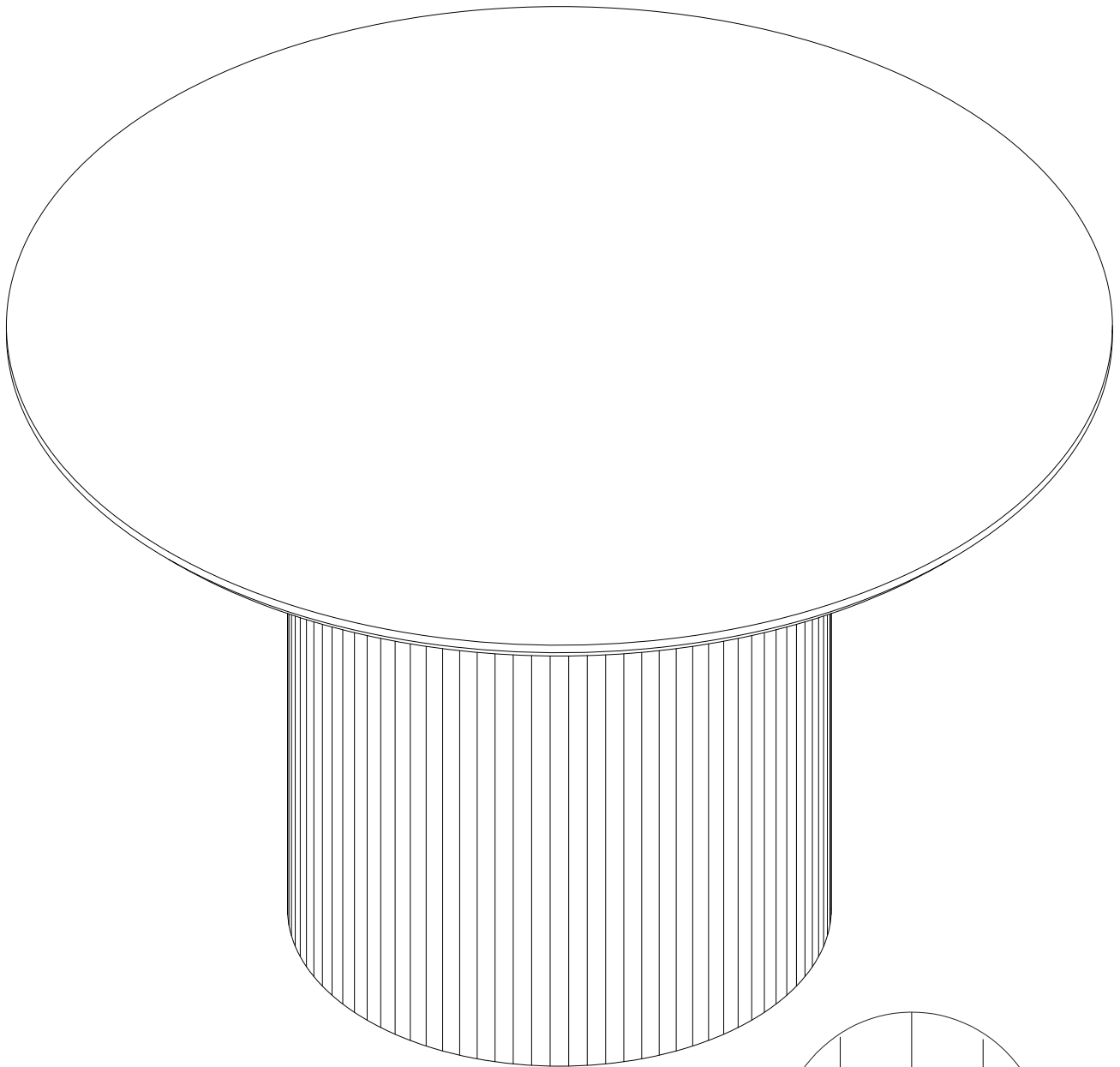
**STEP 5:** Secure the bottom plate (6) with the bottom metal frame by 4 x screw (A,F), allen key (C).  
**DO NOT** use any power tools as this may damage the frame and will invalidate any claim.

AX4
CX1
FX4



**STEP 6:** Adjust feet to level the table if required.

**DO NOT use any power tools as this may damage the frame and will invalidate any claim.**



**Additional Information:**

- For complete product information, images and dimension diagrams please visit the website [www.birlea.com](http://www.birlea.com)
- If you have any issues with your item please contact the retailer directly you purchased it from who will be able to resolve any issues with Birlea.
- Why don't you send us photos of your assembled furniture to [info@birlea.com](mailto:info@birlea.com) to be shared in our #birleahome feature on instagram.