

# Birlea®

## Assembly Instructions

---

Thank you for  
purchasing a  
Birlea product

For a chance to win a Love2Shop voucher simply post a picture of your new product on your preferred social channels tagging Birlea Furniture. One winner will be selected at random each month.

\*Terms & conditions may apply.

---

### Are you happy with your purchase?

**Yes:** That's great, we would love to hear more from you. Please leave us a review on our Trustpilot link on the QR code here. Your feedback will be greatly appreciated.



**No:** If for any reason there is something missing, indifferent or incorrect with your order, please contact the retailer that you purchased your item from.

Please note that this items build time is around: 10mins



[www.birlea.com](http://www.birlea.com)

Birlea Furniture Limited – Registered Office Unit 6a-1, Birlea Way, West Meadow Rise, Castle Donington, Derbyshire, DE74 2HL, UK

## **ASSEMBLY INSTRUCTIONS** **AXEL FABRIC CHAIR GREY**

**IMPORTANT : READ THESE INSTRUCTIONS CAREFULLY BEFORE ATTEMPTING TO ASSEMBLE OR USE YOUR AXEL FABRIC CHAIR GREY.**

**PLEASE KEEP THESE INSTRUCTIONS FOR FUTURE REFERENCE.**

### **ASSEMBLY:**

Assembly should be carried out with this item laying flat, not standing upright.

Assemble on a soft, clean surface to prevent damages.

To erase the numbers printed on the pieces, use the rubber inside the accessories pack.

### **HEALTH & SAFETY:**

**DO NOT** use this product if any parts are missing, damaged or worn.

**DO NOT** use this product unless all fixings are secured.

Always use on a level, even surface.

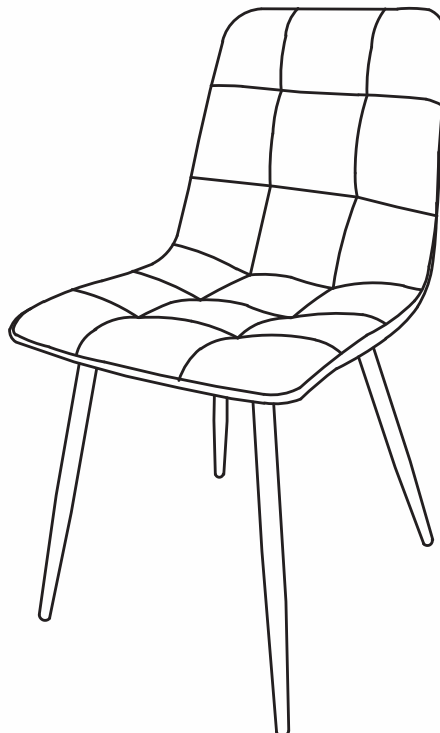
### **CARE & MAINTENANCE:**

Periodically check all screws & fixings to ensure they are secure.

**DO NOT** push this product as this will cause damage.

Always lift this product with two people to repositions.

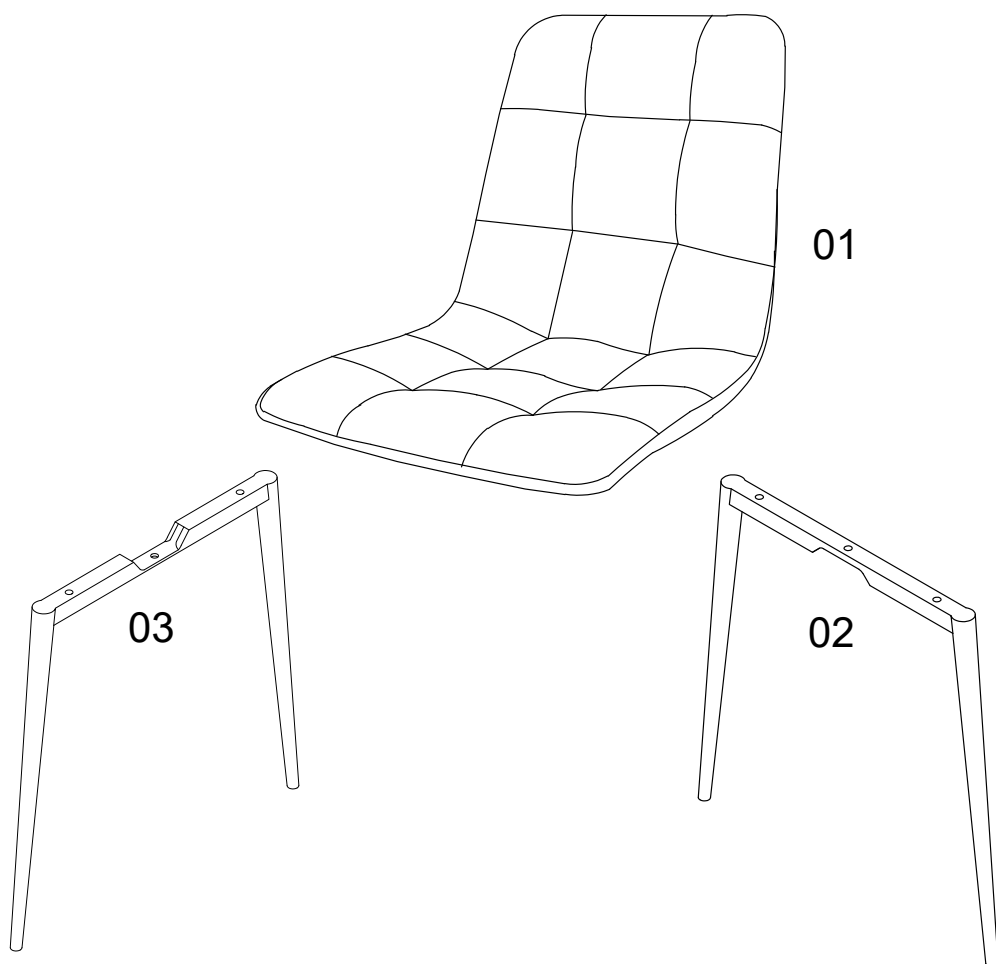
Keep any sharp objects away from this product.







# **Birlea®**

[www.birlea.com](http://www.birlea.com)

Page 1 of 5



Parts List			
Part	Description	Box	Qty
01	Seat	1	1
02	Leg-1	1	1
03	Leg-2	1	1

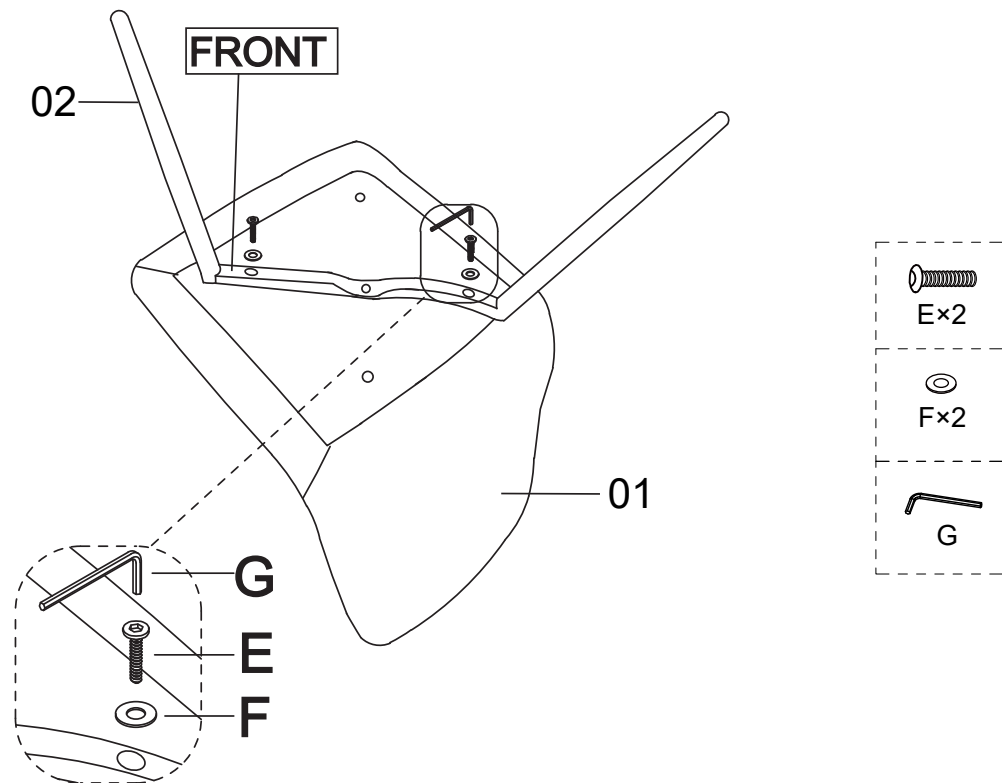
Hardware List				
Part	Description			Qty
D	Bolt	M6x20mm		1
E	Bolt	M6x35mm		4
F	Washer	16mm		5
G	Allen key	M4		1

**\*\* You will need a small mallet and a screwdriver for assembly.**

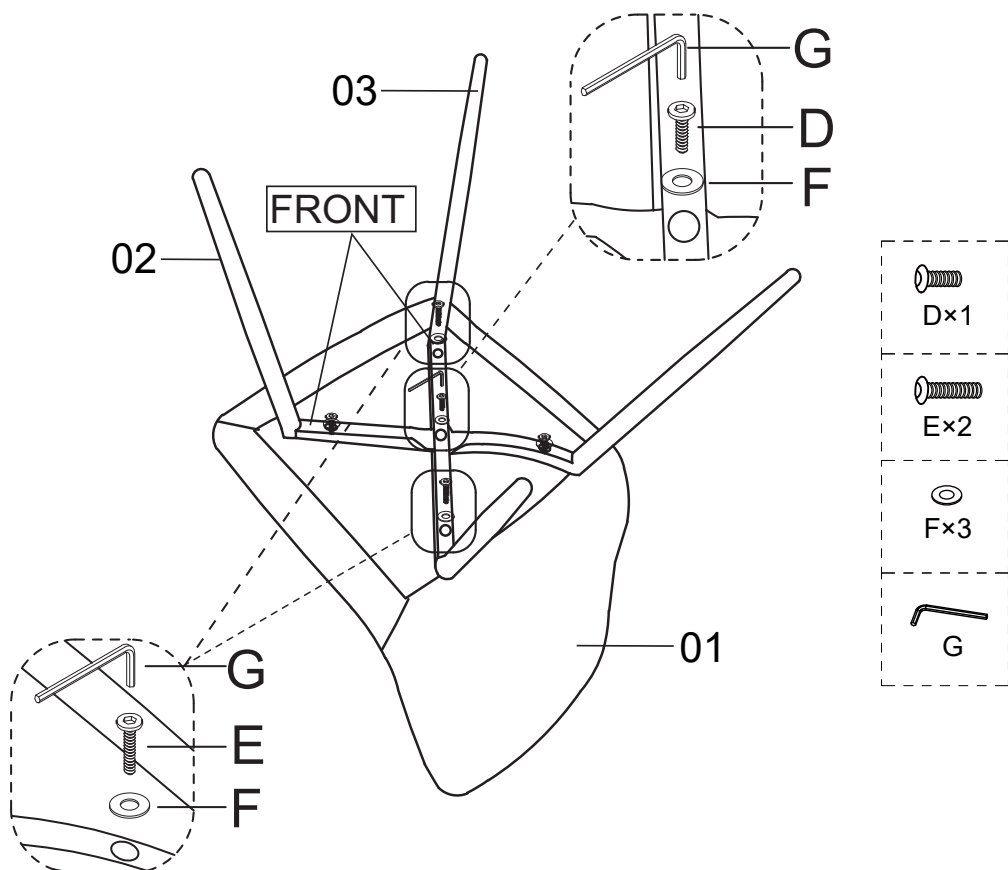
**\*\* Some screws and wooden dowel may remain.**

# Birlea®

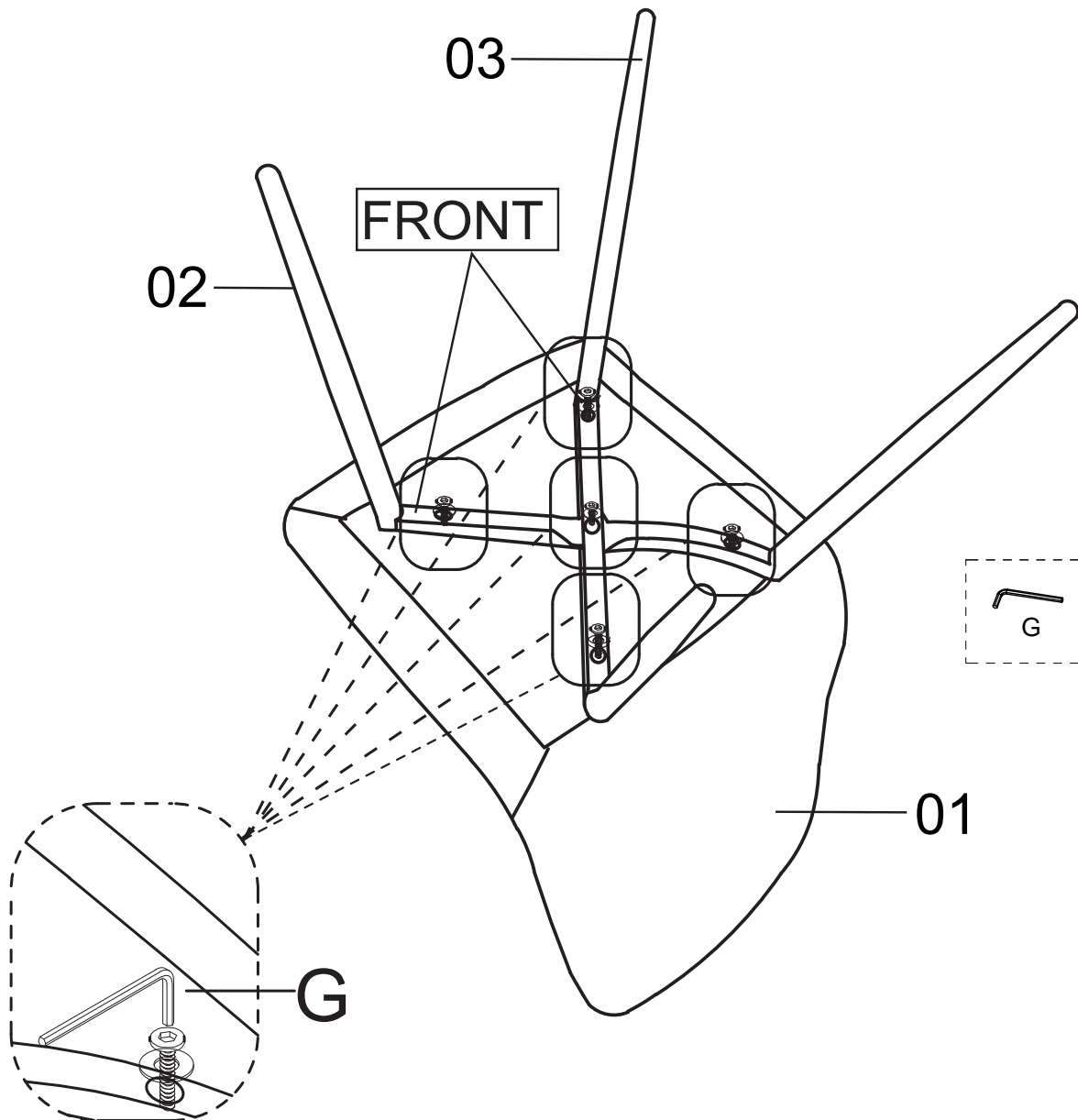
Step 1: Please attach the Leg(02) with the Seat(01) by hardware E,F.  
 ATTENTION: DO NOT FULLY TIGHTEN THE BOLTS AT THIS STAGE!



Step 2: Please attach the Leg(03) with the Seat(01) by hardware D,E,F.  
 ATTENTION: DO NOT FULLY TIGHTEN THE BOLTS AT THIS STAGE!



Step 3: Please fully tight all the bolts.



### Additional Information:

- For complete product information, images and dimension diagrams please visit the website [www.birlea.com](http://www.birlea.com)
- If you have any issues with your item please contact the retailer directly you purchased it from who will be able to resolve any issues with Birlea.
- Why don't you send us photos of your assembled furniture to [info@birlea.com](mailto:info@birlea.com) to be shared in our #birleahome feature on instagram.
- **WARNING:** If this bed is placed on a non-carpeted floor you must place some protection under all leg to stop the bed from moving. If this is not adhered to there is no guarantee if the bed frame collapse.

# Birlea®