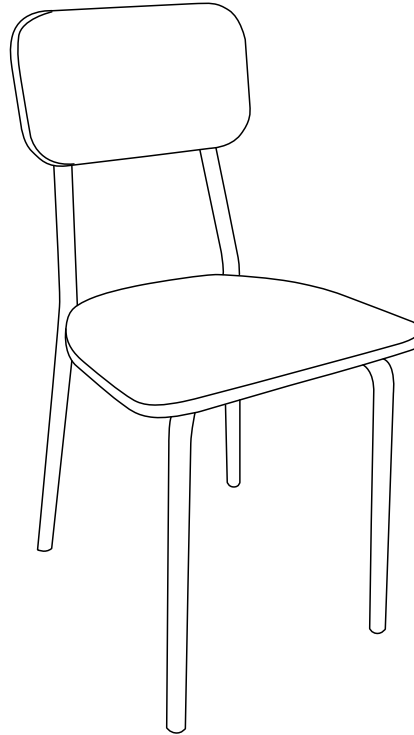


WARREN 1+2 DINING SET (CHAIR) ASSEMBLY INSTRUCTIONS



MAX CHAIR
WEIGHT



IMPORTANT

FOR DOMESTIC USE ONLY

PLEASE READ BEFORE YOU CONTINUE FURTHER

THE PRODUCT YOU HAVE PURCHASED WILL GIVE YOU MANY YEARS OF SERVICE IF YOU FOLLOW THE GUIDELINES FOR ITS SAFE ASSEMBLY AND PERIODIC MAINTENANCE AND CLEANING.

ASSEMBLE ON A SOFT CLEAN SURFACE.

DO NOT USE ANY TOOLS OTHER THAN THOSE SHOWN.

ANY SPANNERS OR ALLEN KEYS REQUIRED ARE INCLUDED WITH THE FITTINGS KIT.

DO NOT FOR ANY REASON USE A POWER TOOL TO ASSEMBLE THIS PRODUCT. ITS USE WILL INVALIDATE ANY CLAIM YOU MAY HAVE AND COULD MAKE THIS PRODUCT UNSAFE.

DEPENDING ON THE AMOUNT OF USE THIS PRODUCT RECEIVES IT MAY BE NECESSARY TO TIGHTEN UP THE FIXINGS FROM TIME TO TIME.

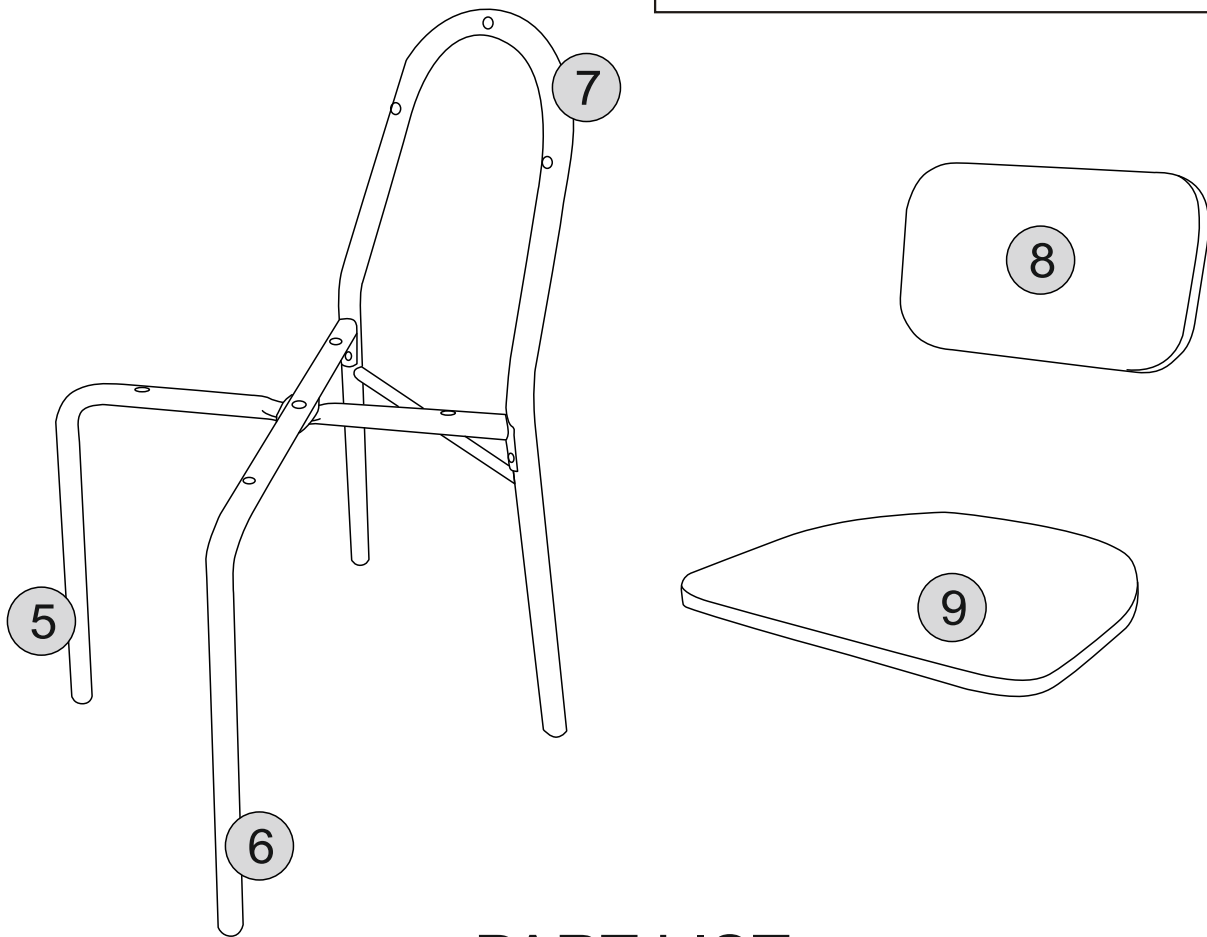
THIS IS COMPLETELY NORMAL FOR ANY FLAT PACK FURNITURE.

DO NOT OVERTIGHTEN FIXINGS.

FOR CLEANING, YOU MAY USE A DAMP CLOTH (NOT WET). DO NOT USE POLISH, DETERGENT OR CHEMICAL CLEANERS.

THE SURFACE OF THIS ITEM IS NOT HEAT RESISTANT. ALWAYS USE A PLACE MAT UNDER HOT OR COLD ITEMS TO PREVENT MARKING.


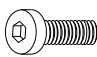



PLEASE CHECK THAT YOU HAVE ALL THE PARTS LISTED BEFORE YOU START ASSEMBLING. IF YOU DO FIND THAT SOMETHING IS MISSING, DO NOT CONTINUE ASSEMBLY. PLEASE CONTACT YOUR SUPPLIER IMMEDIATELY.



PART LIST

Part Number	Part Code	Part Description	Quantity
5	S400-401-326-YN1-05	Left Leg	1
6	S400-401-326-YN1-06	Right Leg	1
7	S400-401-326-YN1-07	Seat Back	1
8	S400-401-326-YN1-08	Backrest	1
9	S400-401-326-YN1-09	Seat Pad	1

HARDWARE LIST

No.	Part Name		Qty
C	Allen Key		x1
D	M6*30mm		x10
E	M6*12mm		x2
F	Nut		x1
G	Spanner		x1

STEP 1

PARTS REQUIRED

5 - LEFT LEG x1

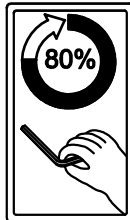
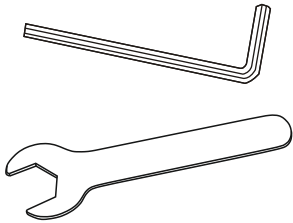
6 - RIGHT LEG x1

HARDWARE REQUIRED

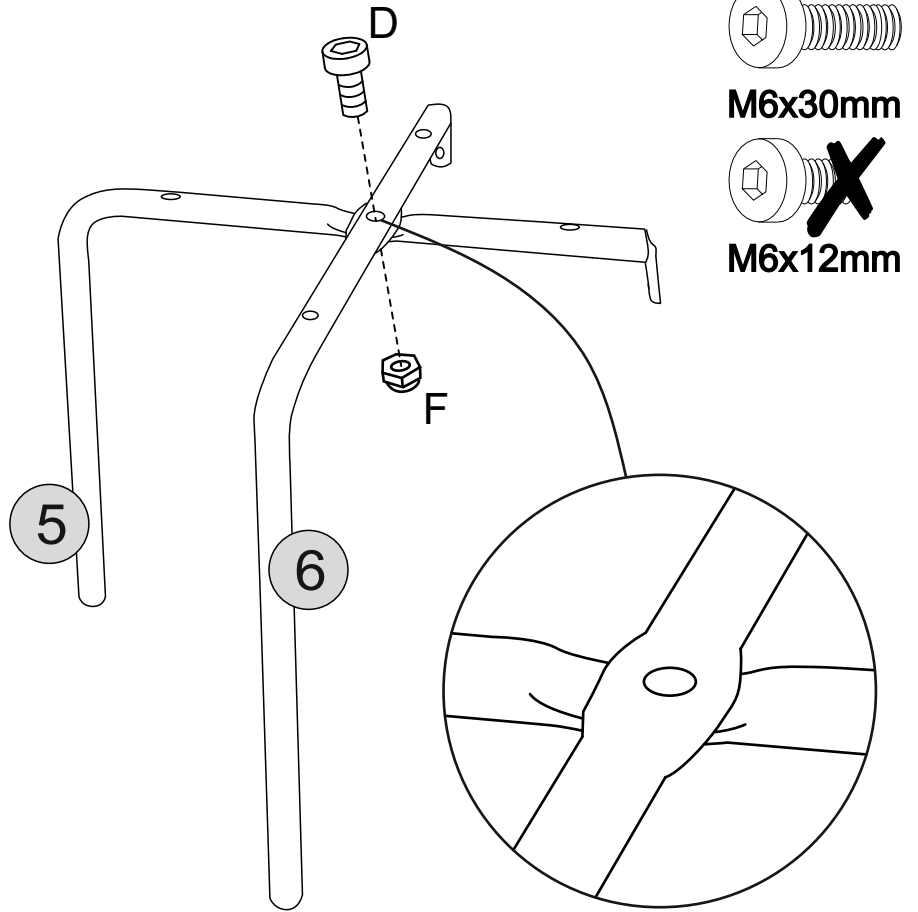
D  01
M6x30mm

F  01

TOOLS REQUIRED



DO NOT FULLY TIGHTEN THE BOLTS AT THIS STAGE !!




STEP 2

PARTS REQUIRED

7 - CHAIR BACK x1

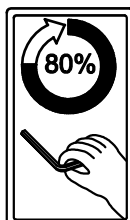
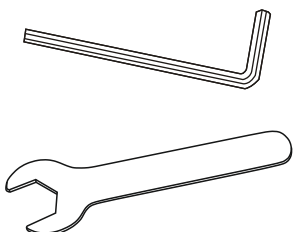


HARDWARE REQUIRED

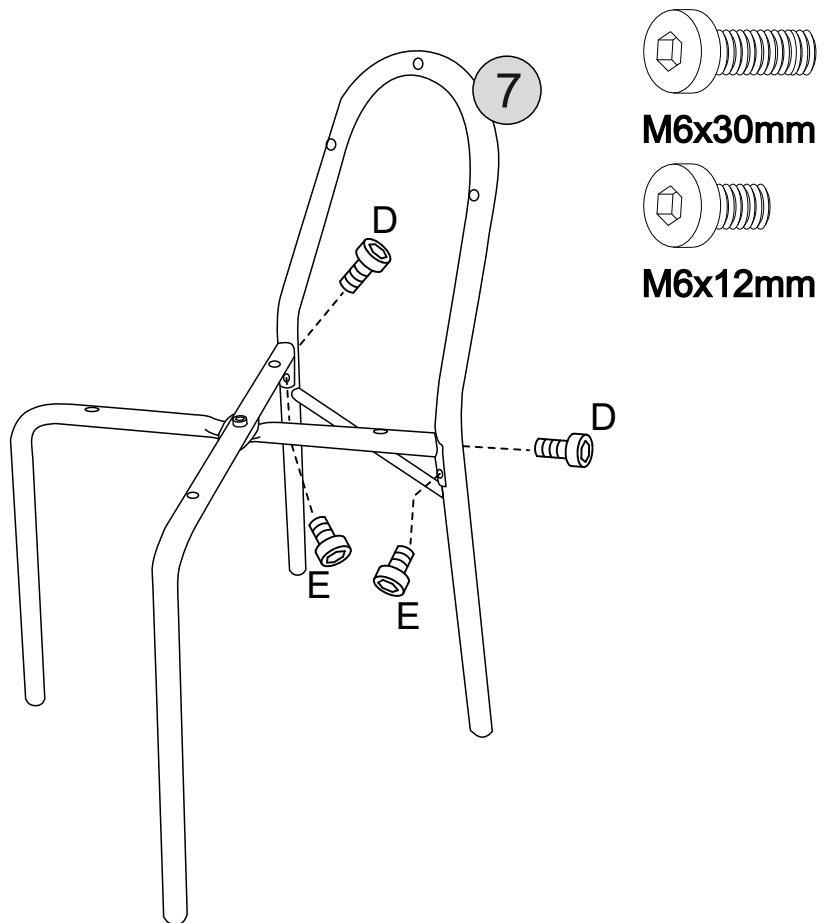
D  02
M6x30mm

E  02
M6x12mm

TOOLS REQUIRED



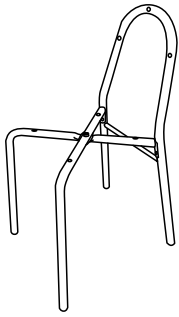
DO NOT FULLY TIGHTEN THE BOLTS AT THIS STAGE !!




STEP 3

PARTS REQUIRED

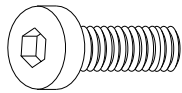
8 - BACKREST x1



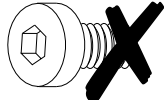
HARDWARE REQUIRED

D  03
M6x30mm

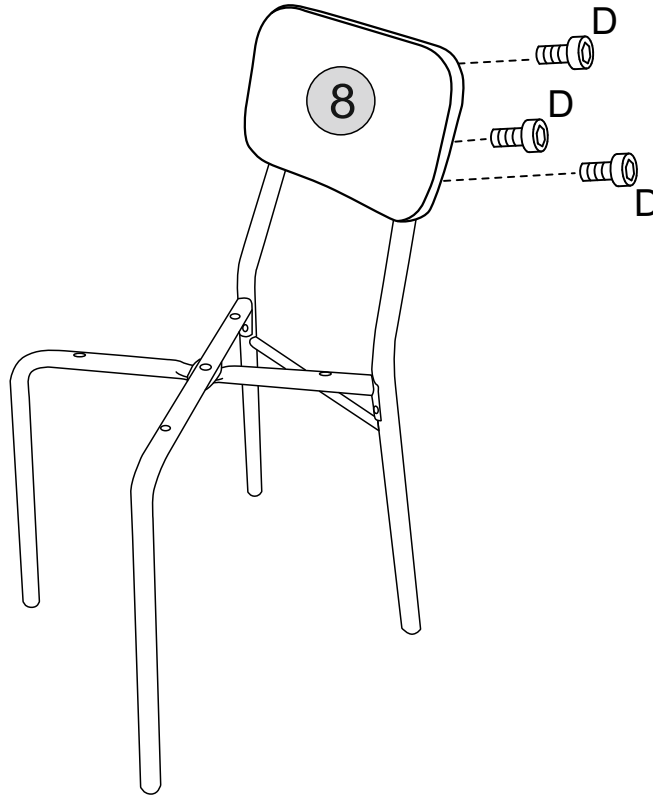
TOOLS REQUIRED



M6x30mm



M6x12mm

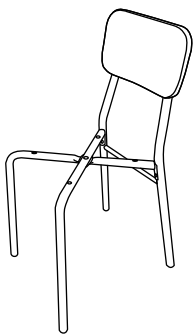


NOW FULLY TIGHTEN ALL THE BOLTS !!

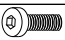
STEP 4

PARTS REQUIRED

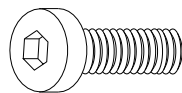
9 - SEAT PAD x1



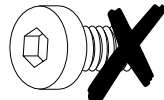
HARDWARE REQUIRED

D  04
M6x30mm

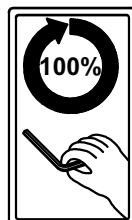
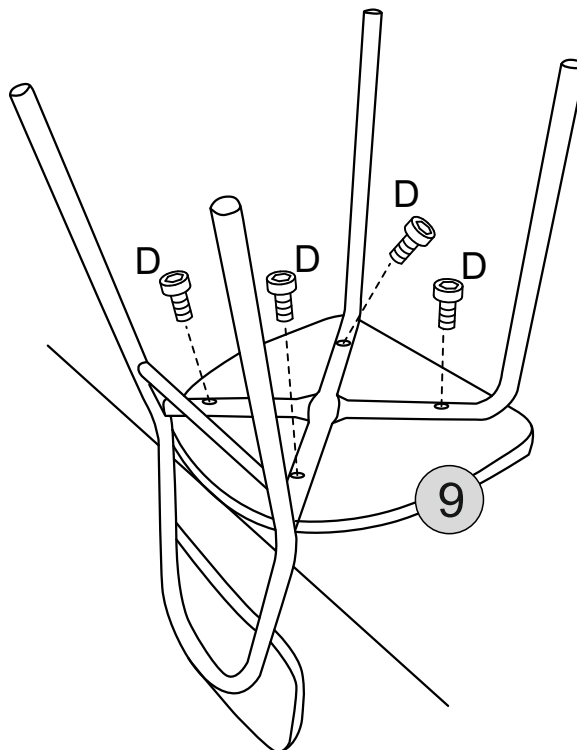
TOOLS REQUIRED



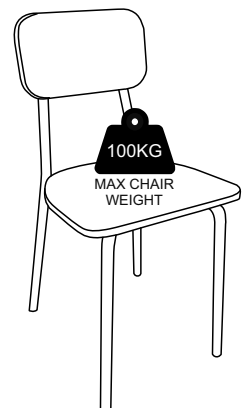
M6x30mm



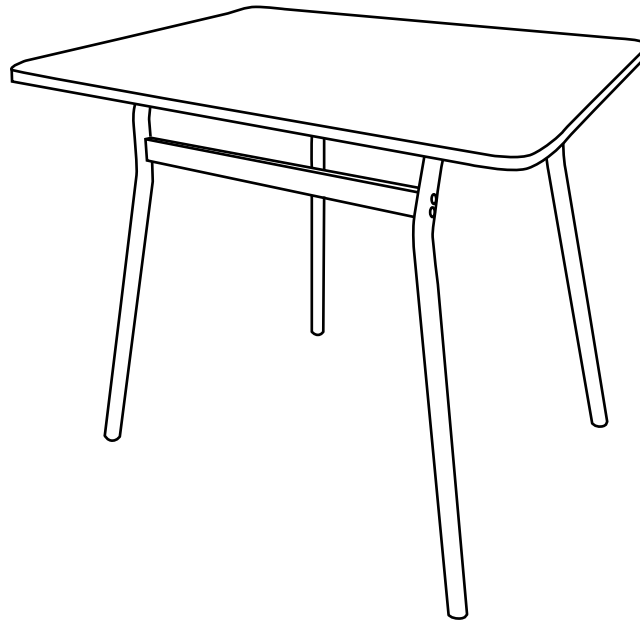
M6x12mm



NOW FULLY TIGHTEN ALL THE BOLTS !!



WARREN 1+2 DINING SET (TABLE) ASSEMBLY INSTRUCTIONS



IMPORTANT

FOR DOMESTIC USE ONLY

PLEASE READ BEFORE YOU CONTINUE FURTHER

THE PRODUCT YOU HAVE PURCHASED WILL GIVE YOU MANY YEARS OF SERVICE IF YOU FOLLOW THE GUIDELINES FOR ITS SAFE ASSEMBLY AND PERIODIC MAINTENANCE AND CLEANING.

ASSEMBLE ON A SOFT CLEAN SURFACE.

DO NOT USE ANY TOOLS OTHER THAN THOSE SHOWN.

ANY SPANNERS OR ALLEN KEYS REQUIRED ARE INCLUDED WITH THE FITTINGS KIT.

DO NOT FOR ANY REASON USE A POWER TOOL TO ASSEMBLE THIS PRODUCT. ITS USE WILL INVALIDATE ANY CLAIM YOU MAY HAVE AND COULD MAKE THIS PRODUCT UNSAFE.

DEPENDING ON THE AMOUNT OF USE THIS PRODUCT RECEIVES IT MAY BE NECESSARY TO TIGHTEN UP THE FIXINGS FROM TIME TO TIME.

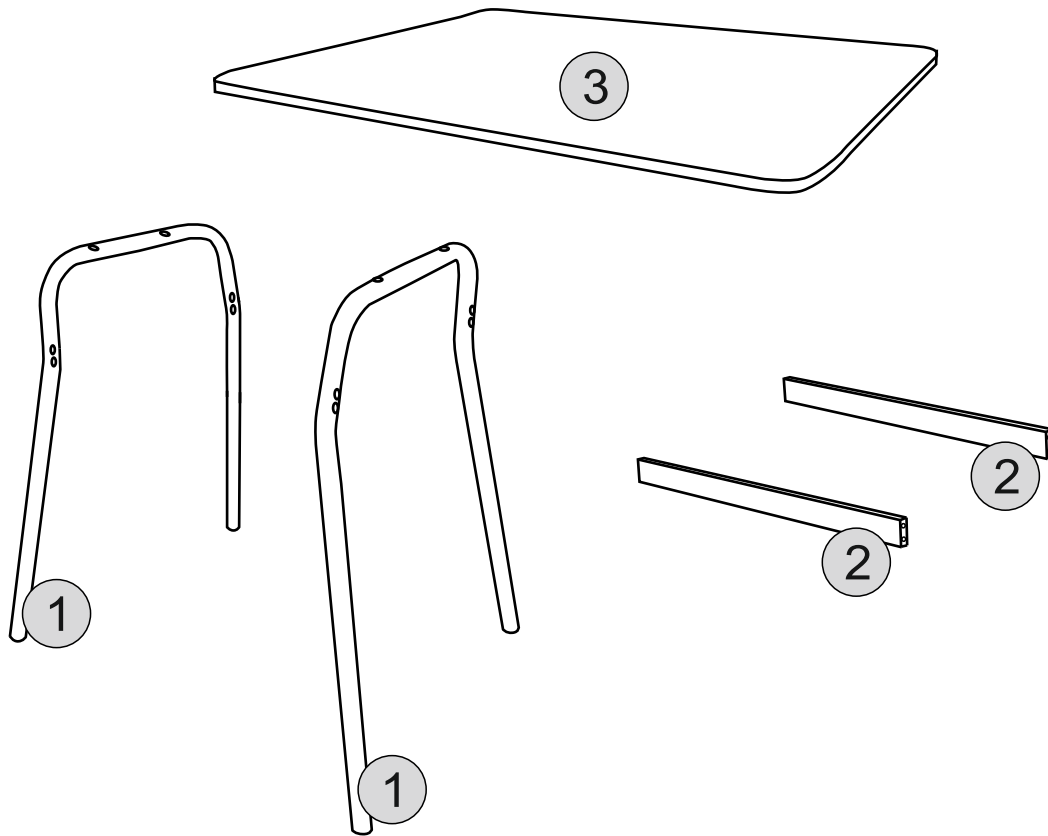
THIS IS COMPLETELY NORMAL FOR ANY FLAT PACK FURNITURE.

DO NOT OVERTIGHTEN FIXINGS.

FOR CLEANING, YOU MAY USE A DAMP CLOTH (NOT WET). DO NOT USE POLISH, DETERGENT OR CHEMICAL CLEANERS.

THE SURFACE OF THIS ITEM IS NOT HEAT RESISTANT. ALWAYS USE A PLACE MAT UNDER HOT OR COLD ITEMS TO PREVENT MARKING.

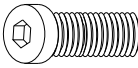
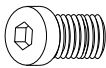

PLEASE CHECK THAT YOU HAVE ALL THE PARTS LISTED BEFORE YOU START ASSEMBLING. IF YOU DO FIND THAT SOMETHING IS MISSING, DO NOT CONTINUE ASSEMBLY. PLEASE CONTACT YOUR SUPPLIER IMMEDIATELY.



PART LIST

Part Number	Part Code	Part Description	Quantity
1	S400-401-326-YN1-01	Table Leg	2
2	S400-401-326-YN1-02	Support Bar	2
3	S400-401-326-YN1-03	Table Top	1

HARDWARE LIST

No.	Part Name		Qty
A	M6*45mm		x8
B	M6*35mm		x4
C	Allen Key		x1

STEP 1

PARTS REQUIRED

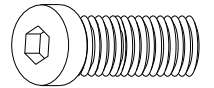
1 - TABLE LEG x2

2 - SUPPORT BAR x2

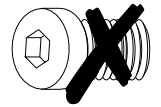
HARDWARE REQUIRED

A  08
M6x45mm

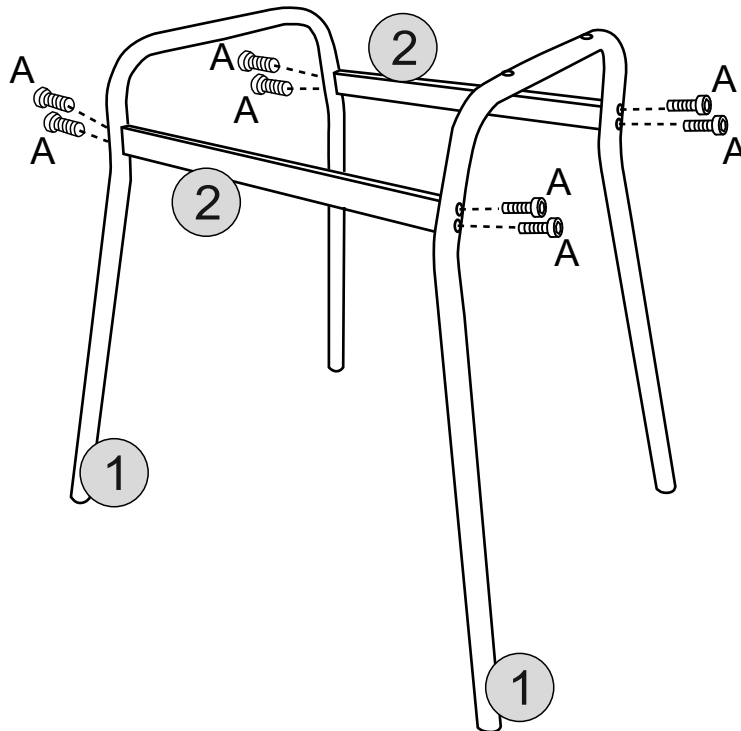
TOOLS REQUIRED



M6x45mm



~~M6x35mm~~



*****DO NOT FULLY TIGHTEN BOLTS*****


STEP 2

PARTS REQUIRED

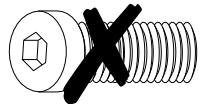
3 - TABLE TOP x1



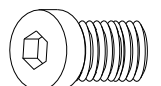
HARDWARE REQUIRED

B  04
M6x35mm

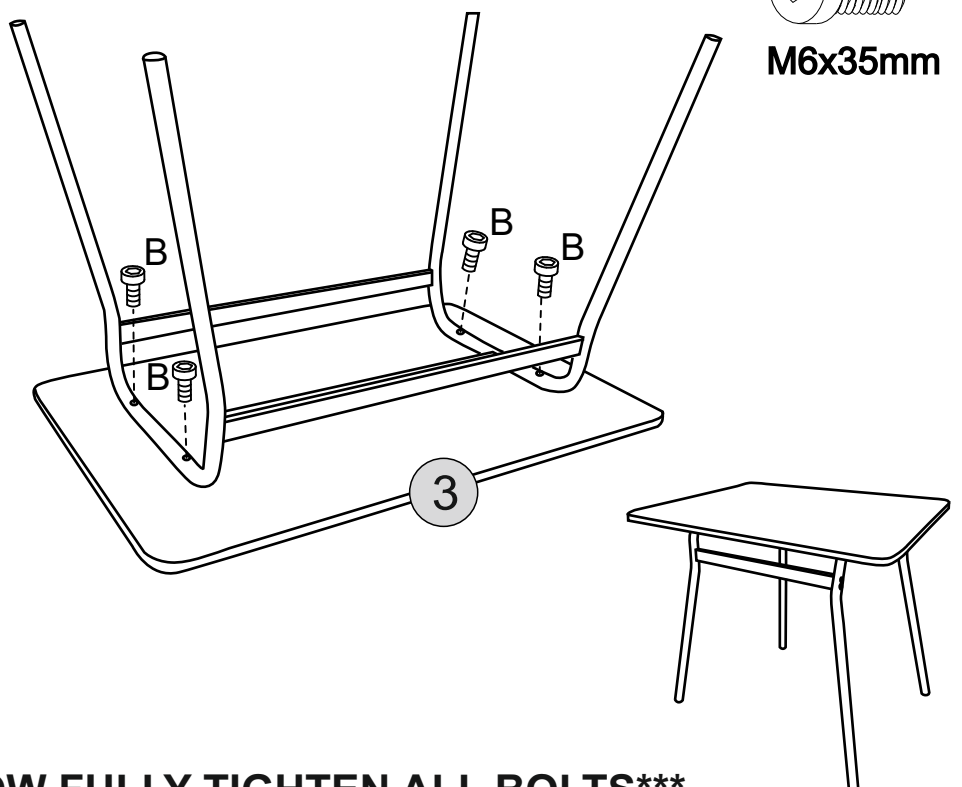
TOOLS REQUIRED



~~M6x45mm~~



M6x35mm



*****NOW FULLY TIGHTEN ALL BOLTS*****