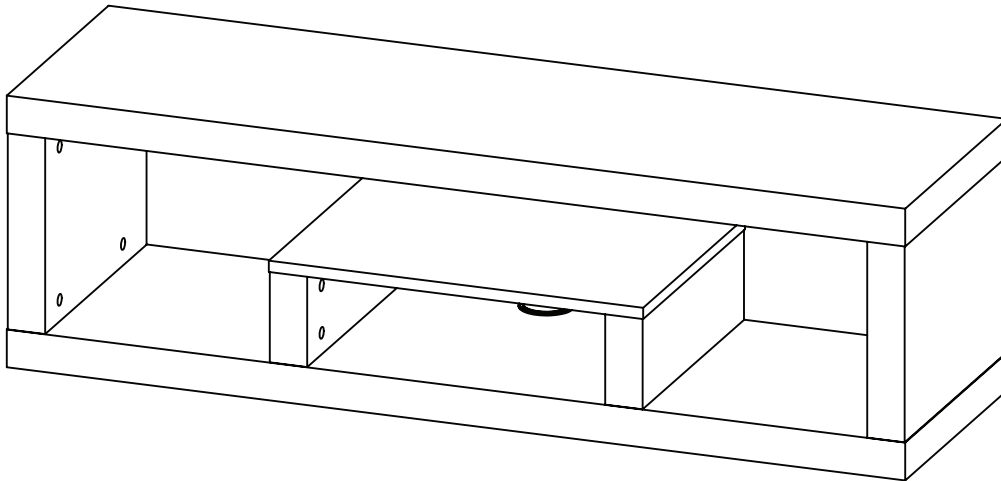


JAKARTA LOWBOARD TV UNIT ASSEMBLY INSTRUCTIONS

Thank you for purchasing the Jakarta Lowboard TV Unit.

Please read the instructions carefully to ensure safe operation of this product.



Size: 120 x 36 x 36 cm (WDH)

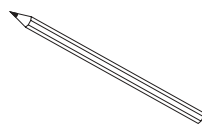
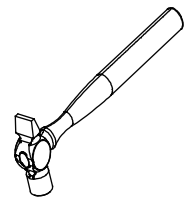
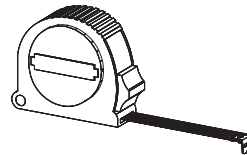
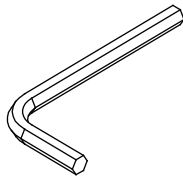
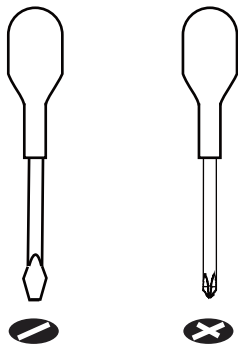
Colour: Mango

PLEASE READ this sheet prior to assembly to familiarise yourself with the various stages of construction.

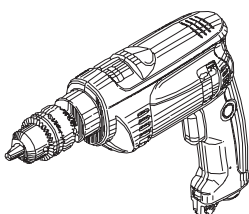
Carefully open the pack supplied and check the contents against the parts and fittings check list. Do not destroy any of the packaging until you are certain that you have all the necessary parts for the assembly.

CAUTION: There are small components used in the construction of this unit. These loose items should be kept away from young children whilst assembling your unit to avoid the danger of choking.

Tools Required



1 Hour
Set Up



Version 1 - 240604

PO No: _____

Page 1 of 10

JAKARTA LOWBOARD TV UNIT ASSEMBLY INSTRUCTIONS

IMPORTANT - READ CAREFULLY - RETAIN THESE INSTRUCTIONS FOR FUTURE REFERENCE.

INFORMATION

- This product is designed to hold 20Kg in total. Do not exceed this weight.
- We recommend that this unit is assembled in the room intended for use.
- When you are ready to start, make sure that you have the right tools, plenty of space and a clean, dry area for assembly.
- Unwrap all packaging materials and place the components on top of the carton box or on a clean floor to prevent it from scratching.
- Check the pack and make sure you have all the parts listed.
- Ensure that this product is fully assembled as illustrated before use.
- Check all screws or bolts are tightened and inspect regularly
- Tools not included unless specified in parts list.

WARNINGS

- This product should only be used on a firm and level floor.
- Keep small parts out of reach of children.
- Make sure the legs/base remain in contact with the floor.
- DO NOT use power tools to construct this product.
- DO NOT tighten screws until parts are assembled or as advised in this guide.
- DO NOT over tighten screws or bolts.
- DO NOT use this product if parts are missing, damaged or worn.
- DO NOT sit or stand on the product.

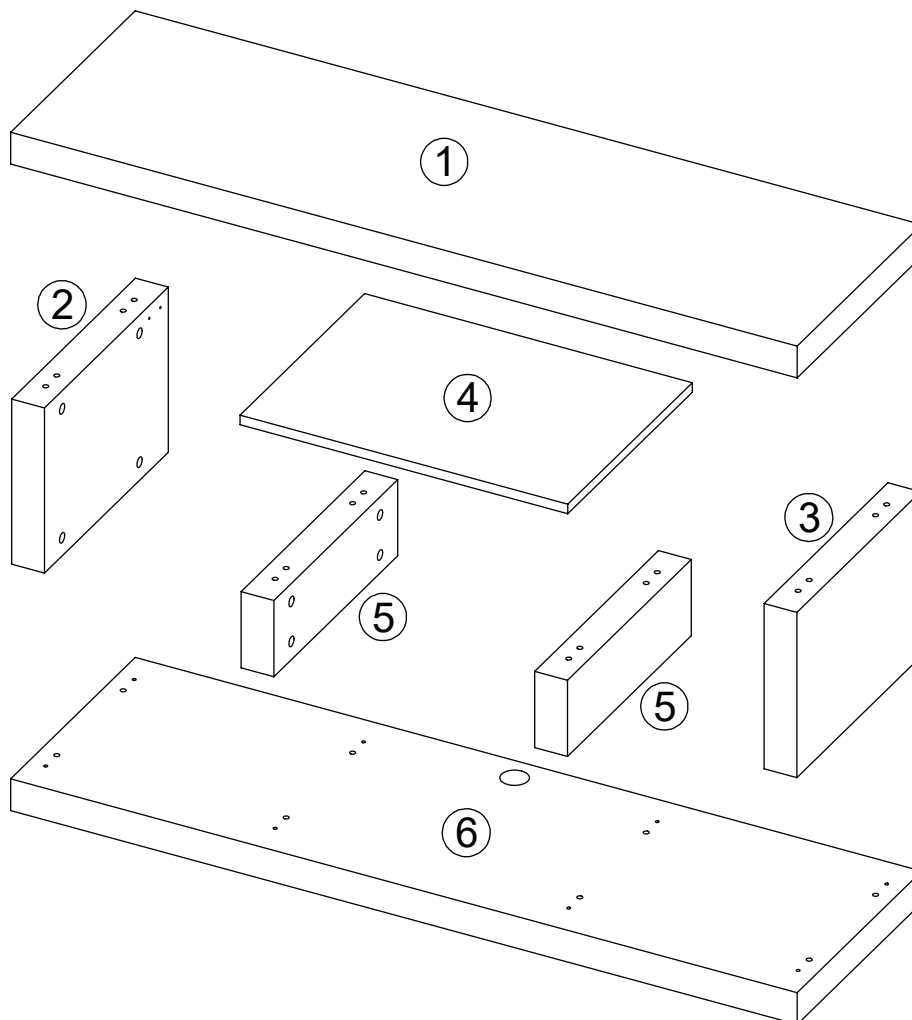
CARE INFORMATION

- To clean, wipe with a damp clean cloth.
- Never use scourers, abrasives or chemical cleaners.
- Do not use solvent based cleaners or detergents as they can bleach or damage the product.

JAKARTA LOWBOARD TV UNIT ASSEMBLY INSTRUCTIONS

Parts and Fittings Checklist

Please check the pack contents before assembling the product. If any components are missing, please contact your retailer. The fittings pack contains small items that should be kept away from small children.



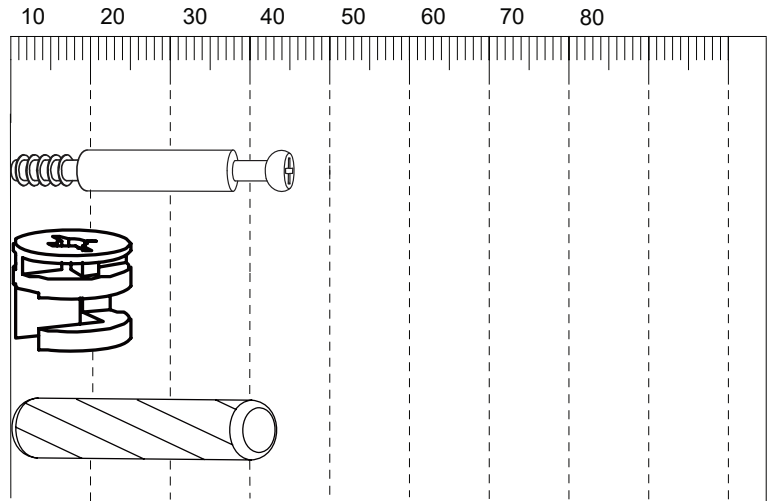
Parts are packed in one carton

1	2	3
Description: Top Panel Qty: 1 Size: 1200 x 360 x 50 mm Carton No: 1/1	Description: LH Side Panel Qty: 1 Size: 358 x 260 x 50 mm Carton No: 1/1	Description: RH Side Panel Qty: 1 Size: 358 x 260 x 50 mm Carton No: 1/1
4	5	6
Description: Fixed Shelf Qty: 1 Size: 500 x 360 x 15 mm Carton No: 1/1	Description: Upright Qty: 2 Size: 358 x 120 x 50 mm Carton No: 1/1	Description: Base Panel Qty: 1 Size: 1200 x 360 x 50 mm Carton No: 1/1

JAKARTA LOWBOARD TV UNIT ASSEMBLY INSTRUCTIONS

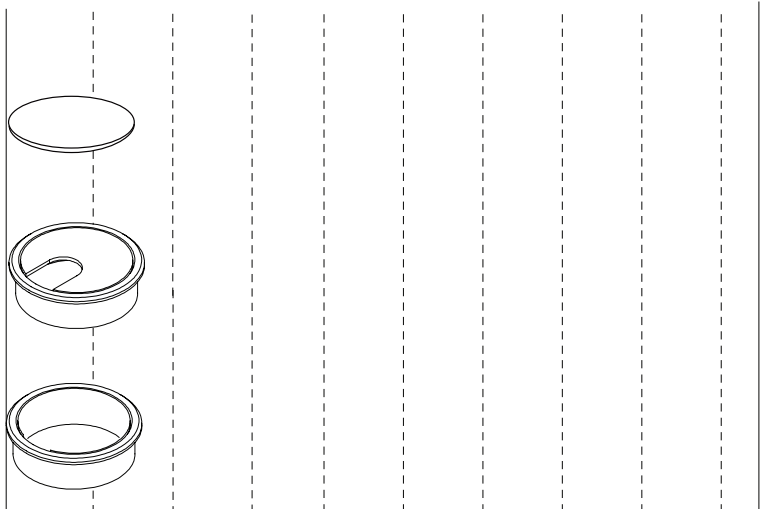
Fittings (to scale)

Code	Item	Quantity
A	Cam Bolt (38mm overall)	32
B	Cam Lock	32
C	Dowel (8x30mm)	16



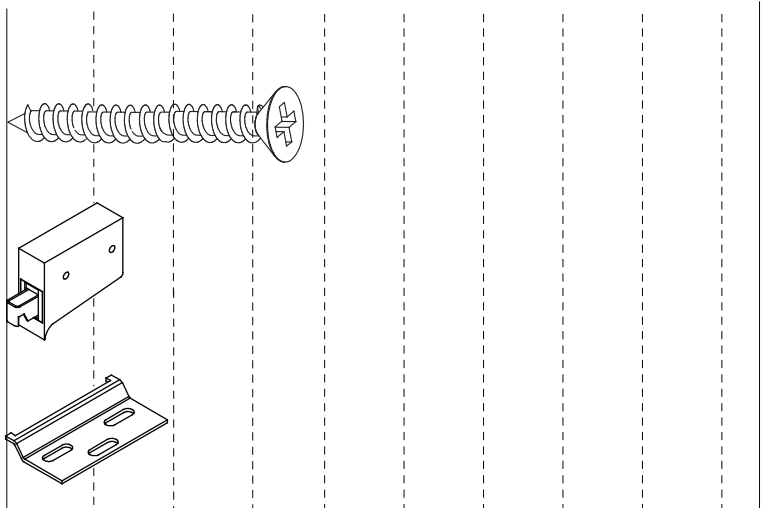
Fittings (not to scale)

Code	Item	Quantity
D	Cam Lock Cover	16
E	Cable Guide - Upper	1
F	Cable Guide - Lower	1



Fittings (Wall Hanging Version)

Code	Item	Quantity
G	Screw for Fitting Wall Support (4x32mm)	4
H	Wall Hanging Support Fitted to Carcass	2
J	Metal Hanging Bracket Fitted to Wall	2



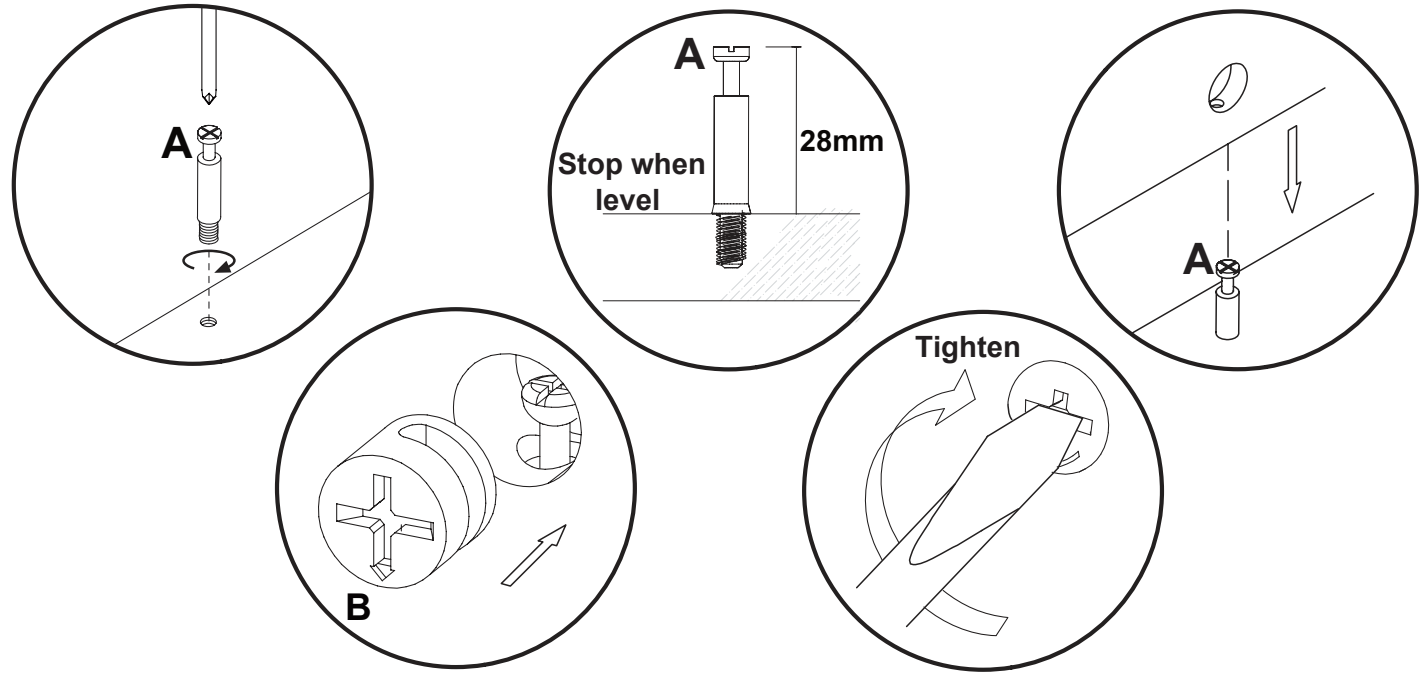
Fittings (Floor Standing Version)

Code	Item	Quantity
K	Adjustable Foot	4



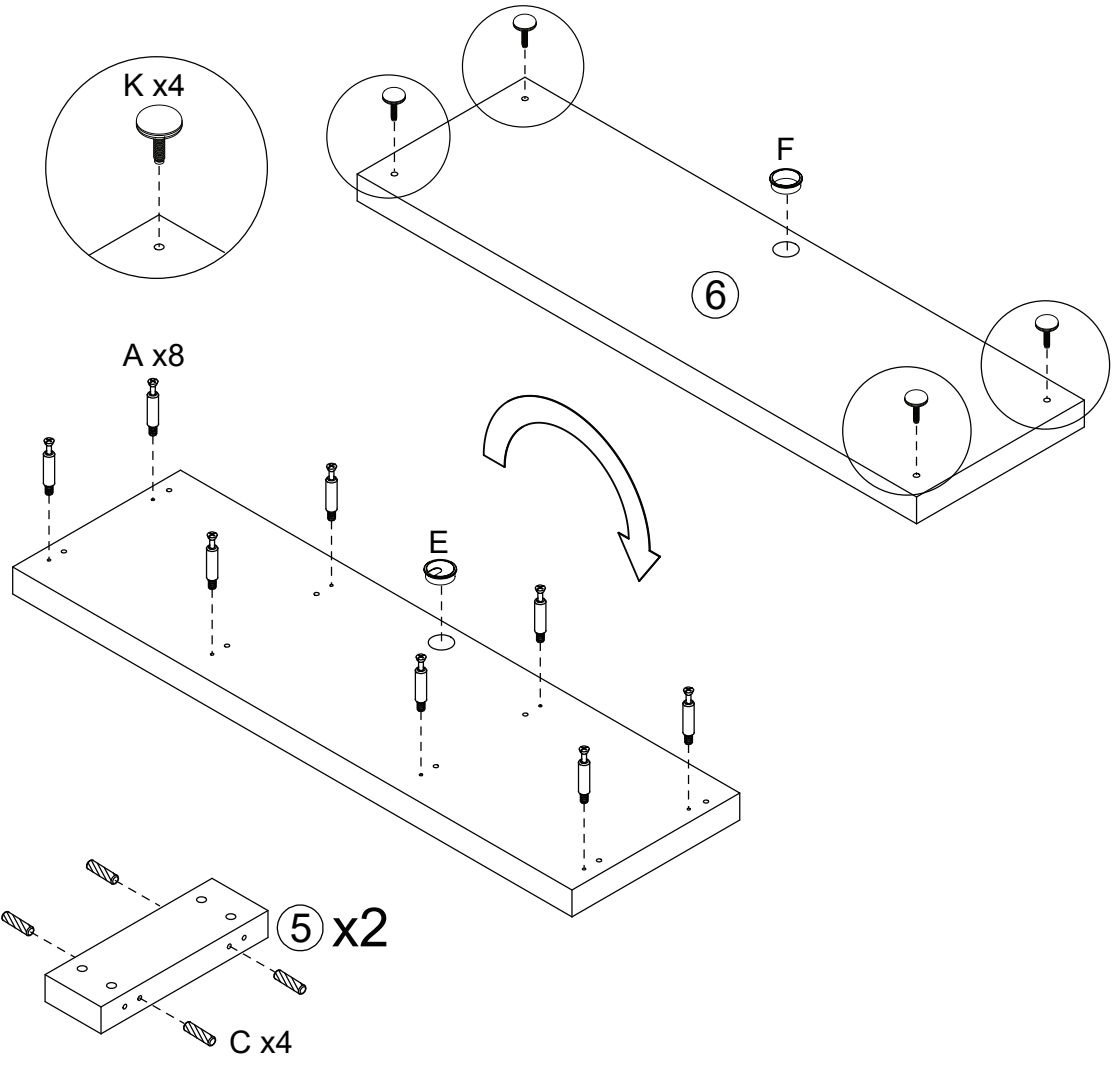
JAKARTA LOWBOARD TV UNIT ASSEMBLY INSTRUCTIONS

General Hints & Tips

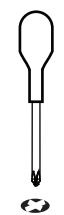


STEP 1

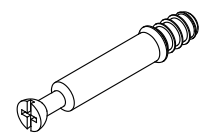
NOTE: It is only necessary to fit the feet (K) if the Floor Standing version is required.



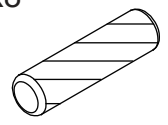
For this step:
Tools required



Fittings required



A x8



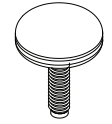
C x8



E x1



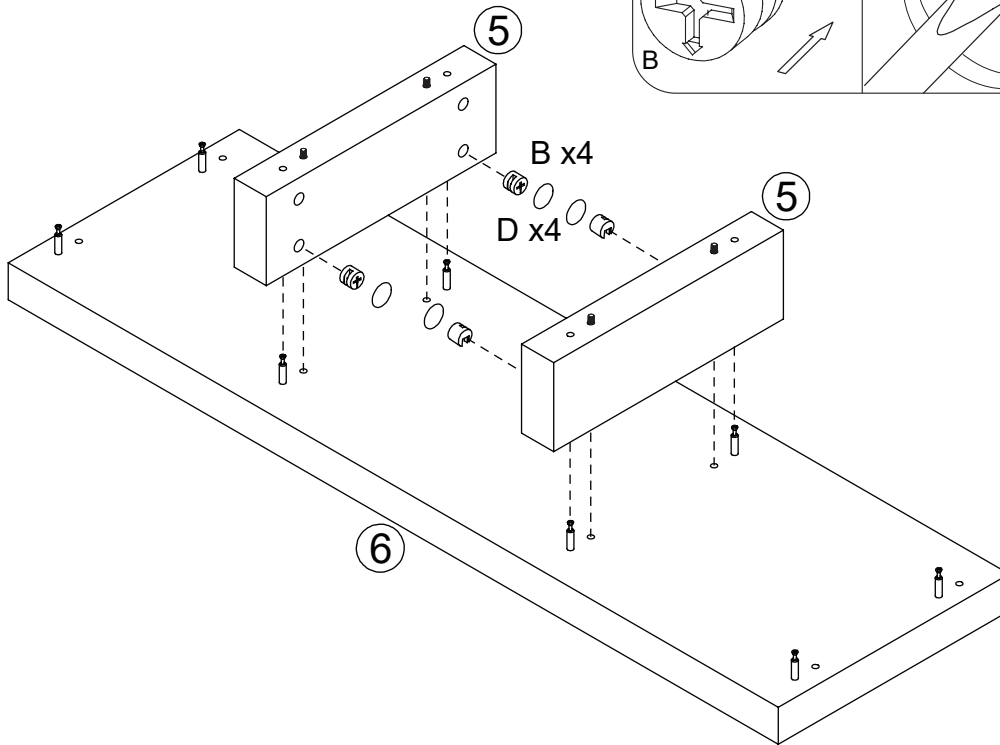
F x1



K x4

JAKARTA LOWBOARD TV UNIT ASSEMBLY INSTRUCTIONS

STEP 2



For this step:

Tools required



Fittings required

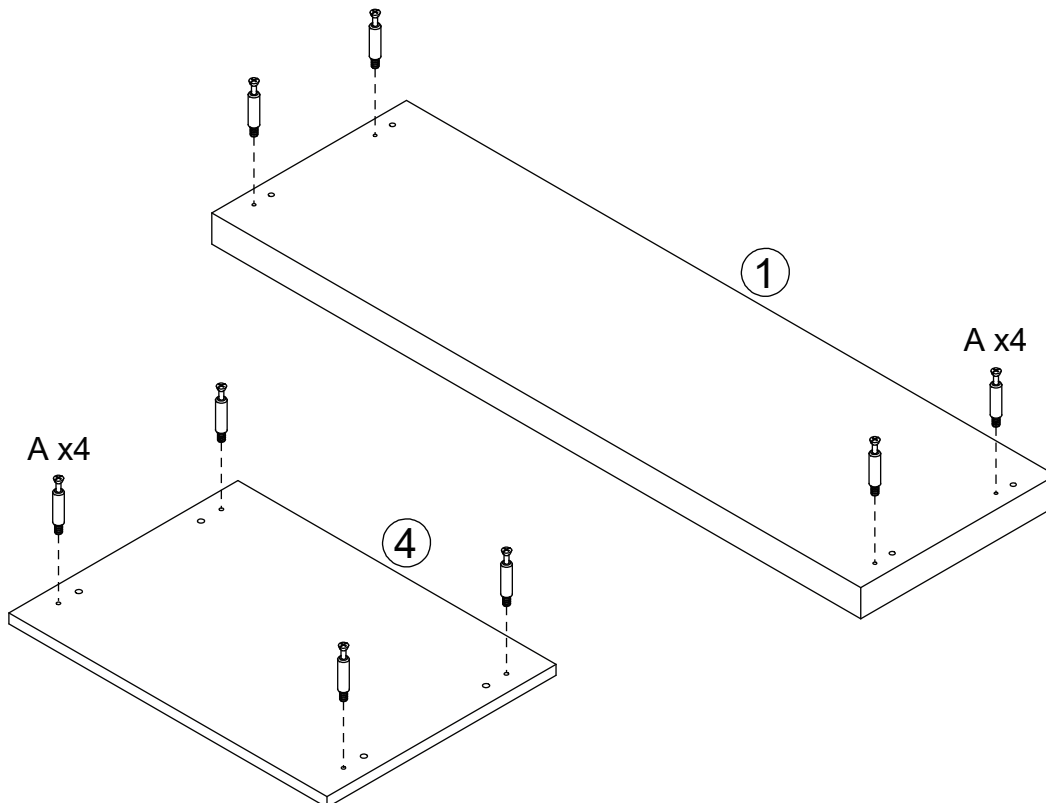


B x4



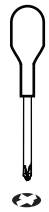
D x4

STEP 3

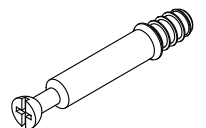


For this step:

Tools required



Fittings required



A x8

JAKARTA LOWBOARD TV UNIT ASSEMBLY INSTRUCTIONS

STEP 5

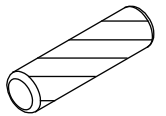
Please note: Only fit the supports (H) if you intend to hang the cabinet from the wall.

For this step:

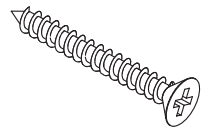
Tools required



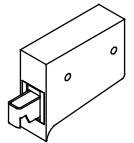
Fittings required



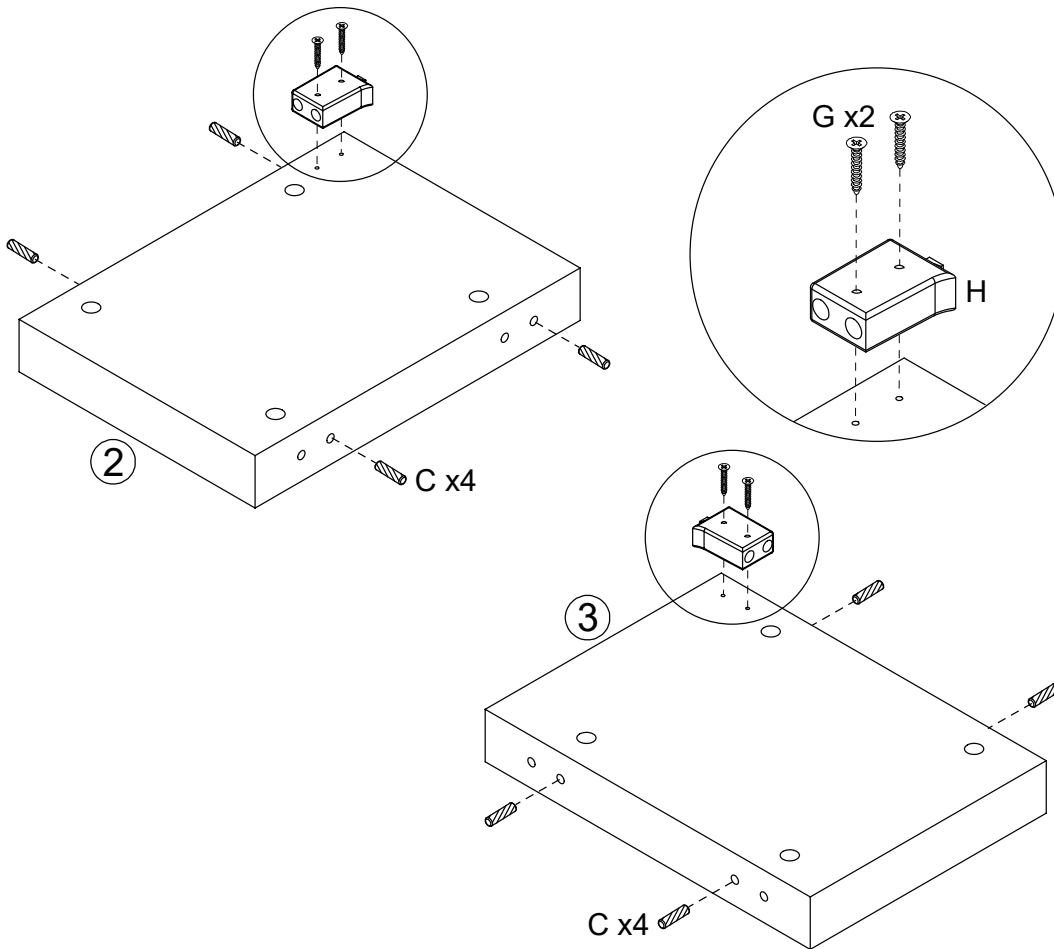
C x8



G x4



H x2



STEP 6

For this step:

Tools required



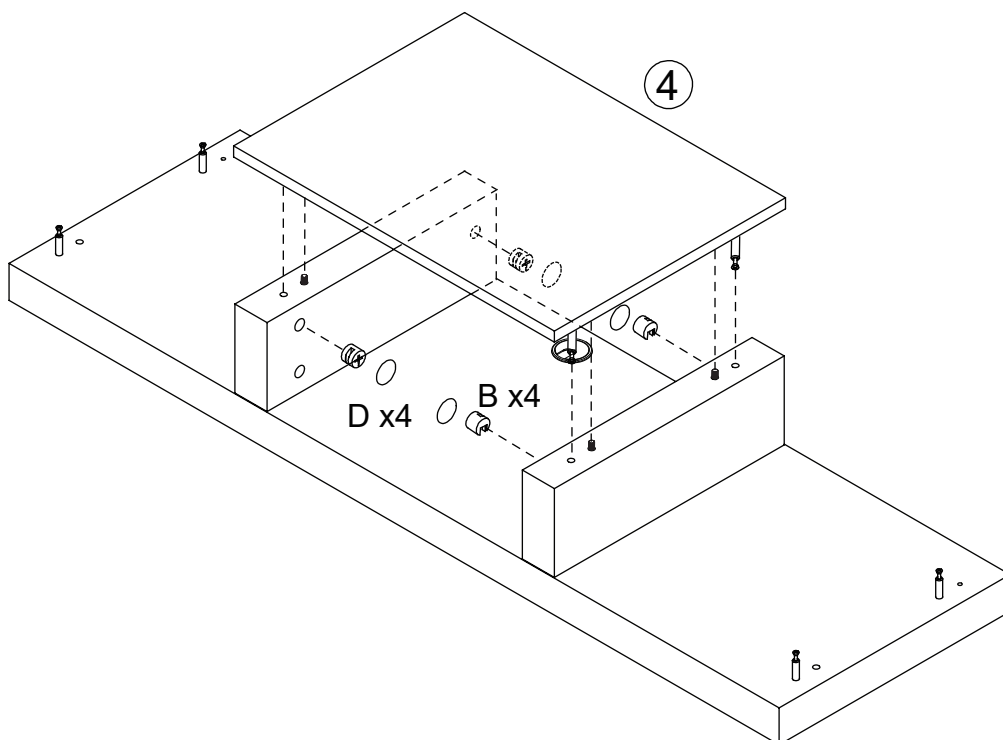
Fittings required



B x4

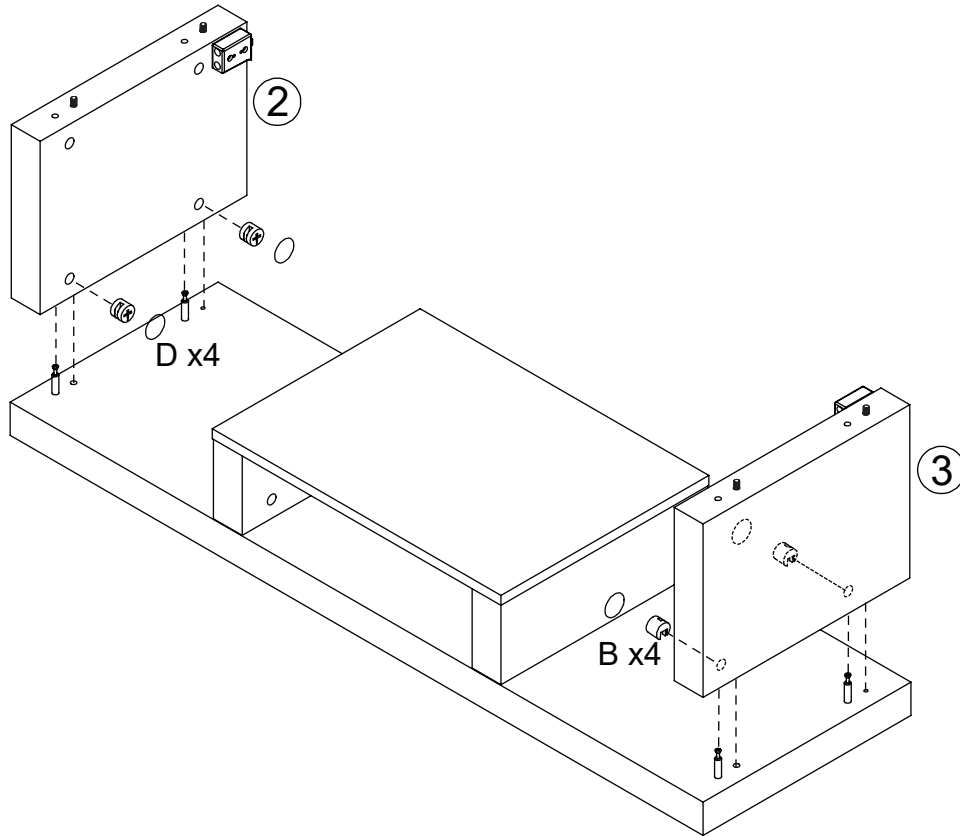


D x4



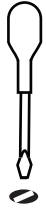
JAKARTA LOWBOARD TV UNIT ASSEMBLY INSTRUCTIONS

STEP 7



For this step:

Tools required



Fittings required

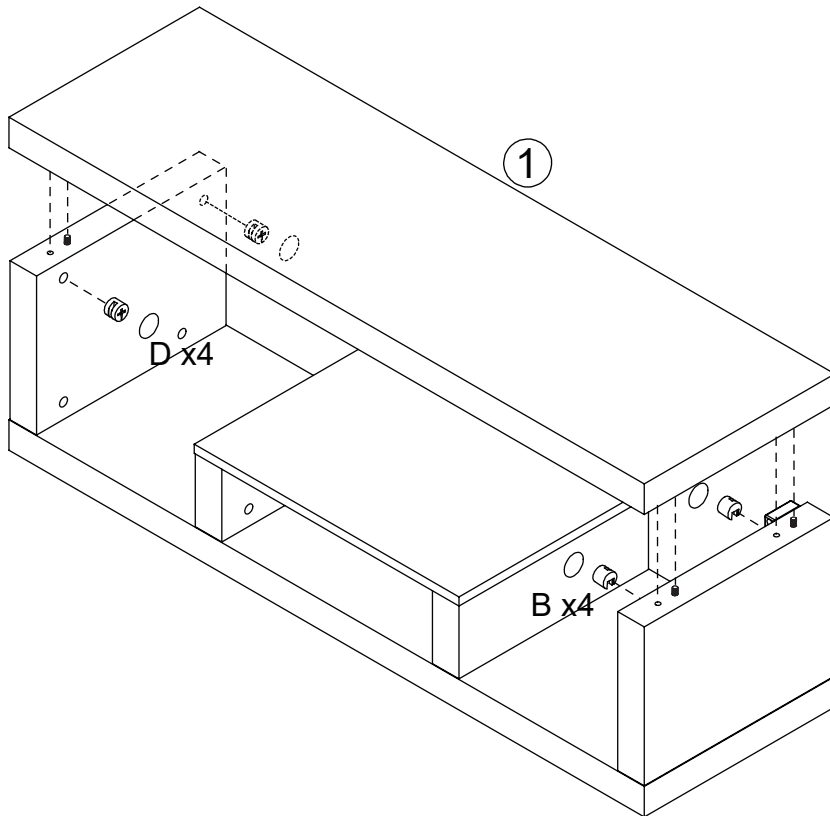


B x4



D x4

STEP 8



For this step:

Tools required



Fittings required



B x4



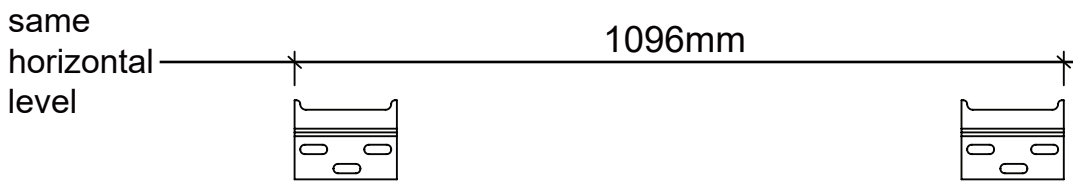
D x4

**For the Floor Standing version, adjust the feet (K) so top of unit is level.
For the Wall Hanging version, carefully follow steps 9 & 10.**

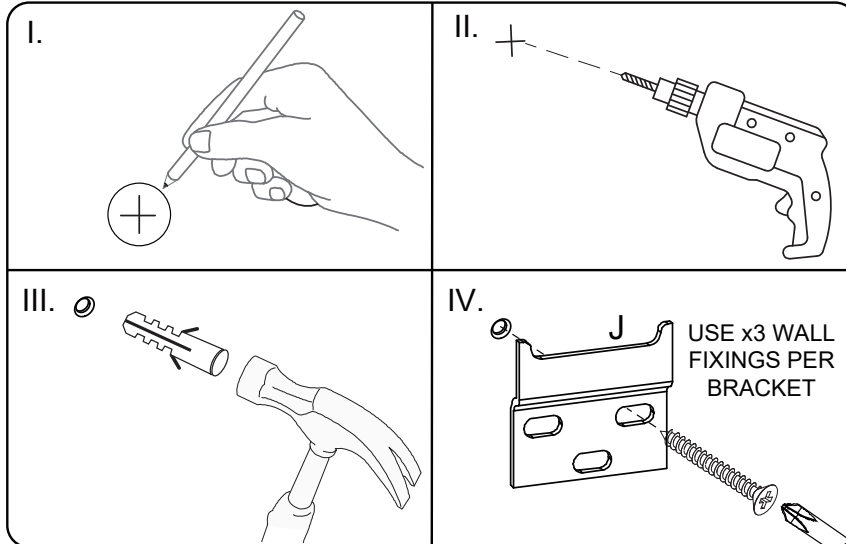
JAKARTA LOWBOARD TV UNIT ASSEMBLY INSTRUCTIONS

STEP 9

NOTE: It is only necessary to fit the brackets (J) and the supports (H) if the Wall Hanging version is required.

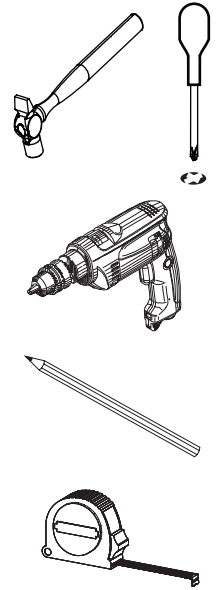


Warning: Always ensure the area to be drilled is free from hidden electrical wires, water or gas pipes.

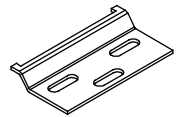


For this step:

Tools required



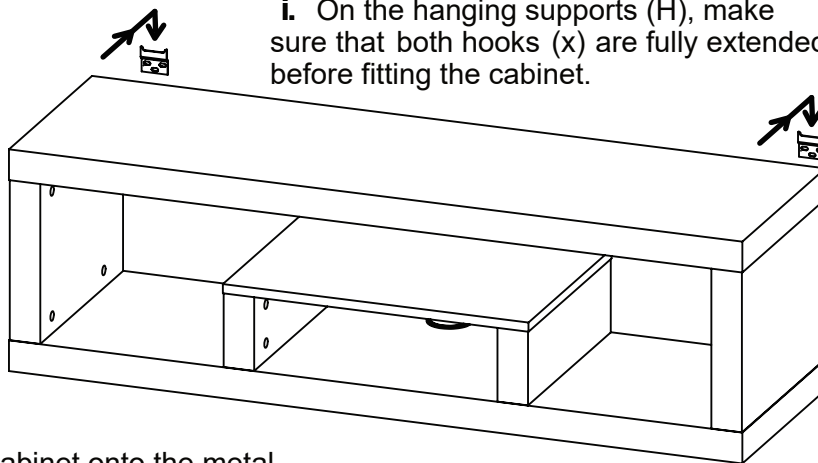
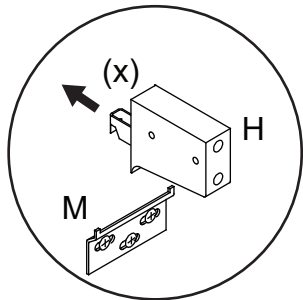
Fittings required



J x2

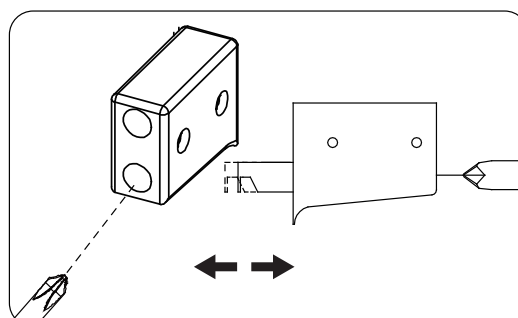
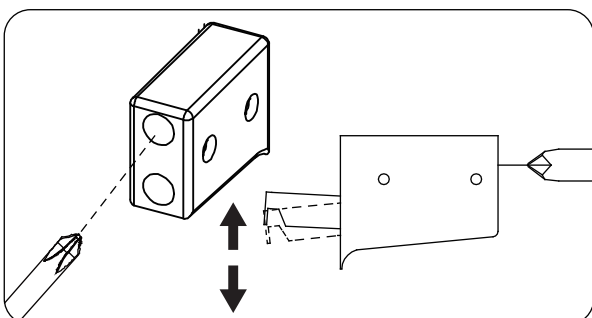
STEP 10

i. On the hanging supports (H), make sure that both hooks (x) are fully extended before fitting the cabinet.



ii. With help, hang the cabinet onto the metal wall brackets by carefully aligning the end panels so they just miss the ends of the brackets. Turn upper screws on both sides evenly until the unit is horizontal.

iii. When the hooks are hanging on the brackets, tighten lower screws clockwise so clamping unit to the wall; please do not over-tighten.



For this step:

Tools required



Fittings required

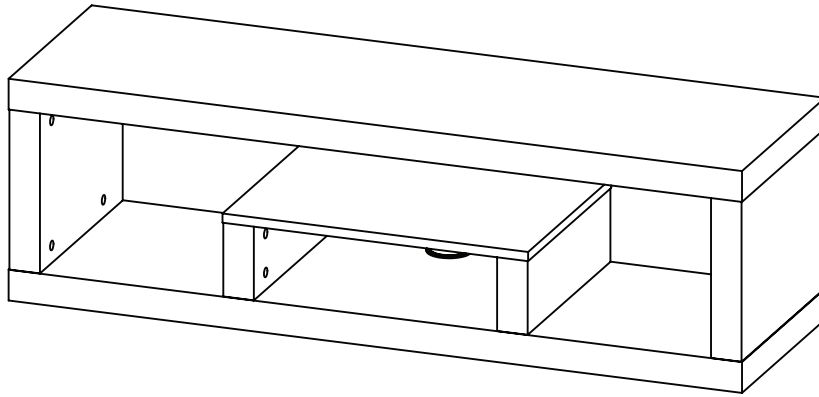
JAKARTA LOWBOARD TV UNIT ASSEMBLY INSTRUCTIONS

Assembly Completed

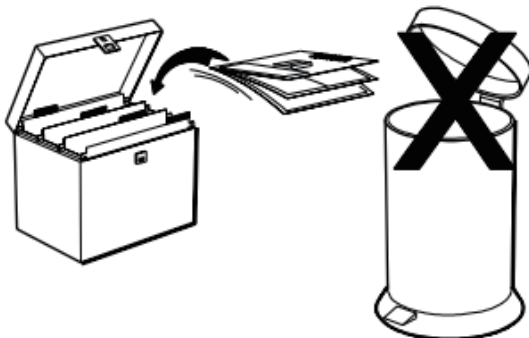
Your Jakarta Lowboard TV Unit is now completely assembled.

Periodically check to ensure that the components are in their proper position, free from damage.

Also, make sure the connectors are tight and secure.



Keep instructions for future reference



Supplied by : GFW THE FURNITURE WAREHOUSE

Waterside Distribution Centre

Waterside Business Park

Johnson Road

Lancashire

BB3 3RT