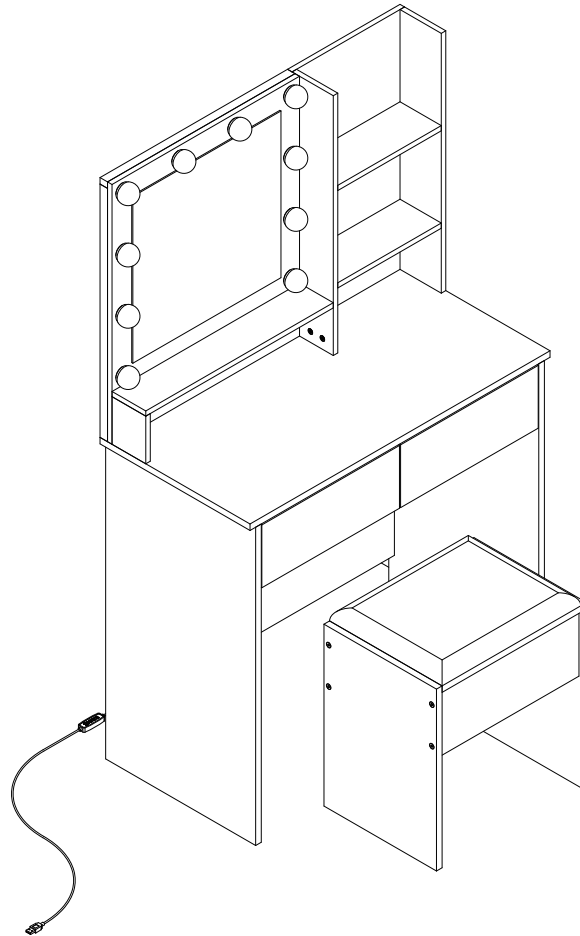


EVA DRESSING TABLE & STOOL ASSEMBLY INSTRUCTIONS

Thank you for purchasing the EVA DRESSING TABLE & STOOL. Please read the instructions carefully to ensure safe operation of the product.



Size: Dressing table:L80xW40xH135cm

Stool: L40xW30xH45cm

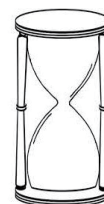
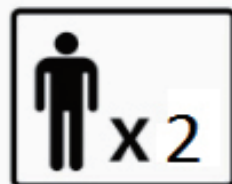
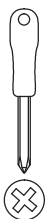
Colour:WHITE

PLEASE READ this sheet prior to assembly to familiarise yourself with the various stages of construction.

Carefully open the pack supplied and check the contents against the parts and fittings check list. Do not destroy any of the packaging until you are certain that you have all the necessary parts for the assembly.

CAUTION: There are small components used in the construction of this unit. These loose items should be kept away from young children whilst assembling your unit to avoid the danger of choking hazards.

Tools Required



1 Hour
Set Up

SIGNY DRESSING TABLE & STOOL ASSEMBLY INSTRUCTIONS

IMPORTANT - READ CAREFULLY - RETAIN THESE INSTRUCTIONS FOR FUTURE REFERENCE.

INFORMATION

Due to the size of this product we recommend that it is assembled in the room intended for use.
When you are ready to start, make sure that you have the right tools, plenty of space and a clean, dry area for assembly.
Unwrap all packaging materials and place the components on top of the carton box or on a clean floor to prevent it from scratching.
Check the pack and make sure you have all the parts listed.
Ensure that this product is fully assembled as illustrated before use.
Check all screws or bolts are tightened and inspect regularly
This product should only be used on firm, level ground.
Keep small parts out of reach of children.
Make sure the legs remain in contact with the ground.
Tools not included.

WARNINGS

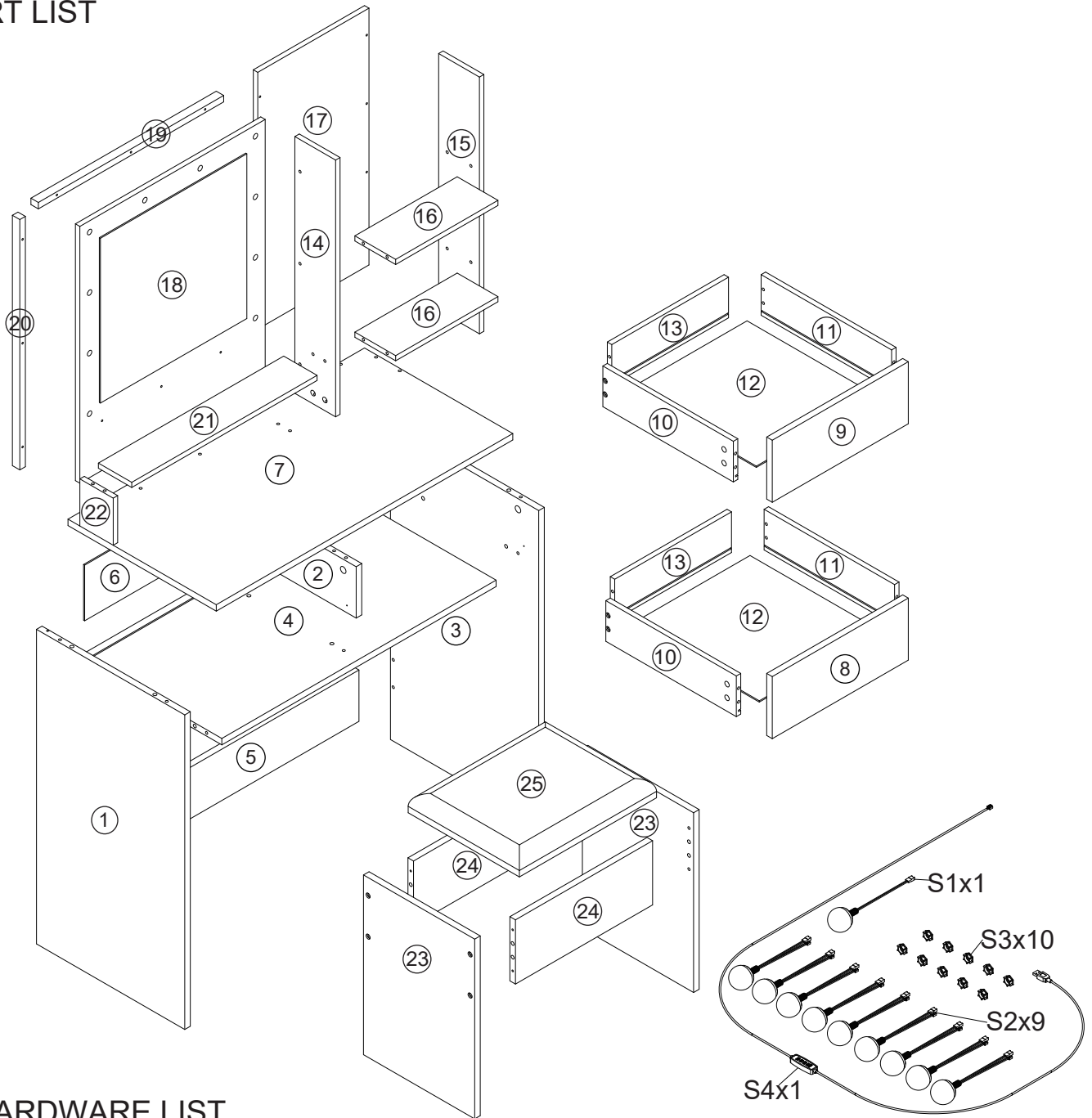
DO NOT use power tools to construct this product.
DO NOT use this product if parts are missing, damaged or worn.
DO NOT stand on the product.
DO NOT place very hot or very cold items on the surface unless adequately thick tablemats are used to prevent such items damaging your dresser top
If a glass component is chipped or broken, stop using the product and consult the manufacturer or supplier
We recommend the use of the wall strap provided for safety reasons. If in doubt please consult a qualified tradesperson.
Always ensure the area to be drilled is free from hidden electrical wires, water and gas pipes.

CARE INFORMATION

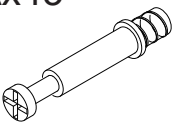
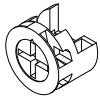
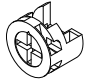
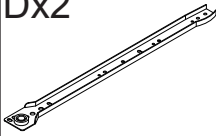
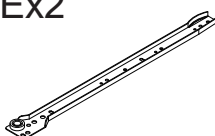
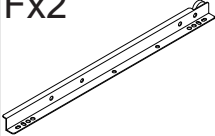
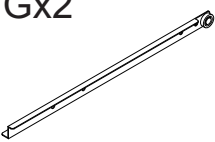
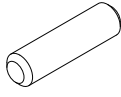
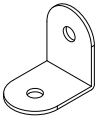

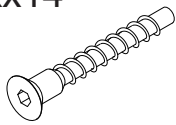

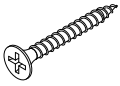
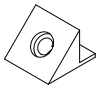


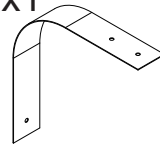
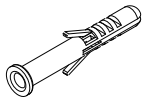
Never use scourers, abrasives or chemical cleaners.
To clean wipe with a sponge and warm soapy water. Do not use solvent based cleaners or detergents as they can bleach or damage the product.
When cleaning glass panels or mirrors use a damp cloth with washing up liquid or soft soap if necessary;
Do not use washing powders or any other substances containing abrasives, as these may scratch the glass

EVA DRESSING TABLE & STOOL ASSEMBLY INSTRUCTIONS

PART LIST

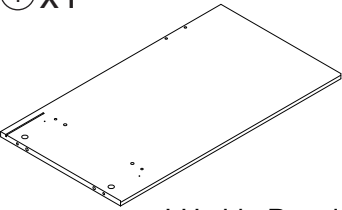
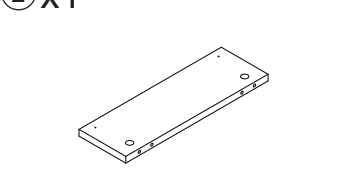
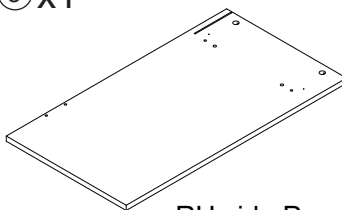
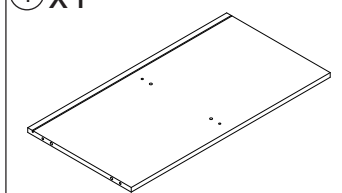
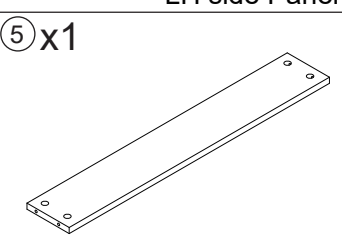
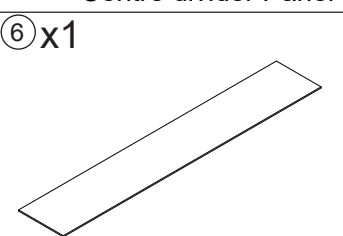
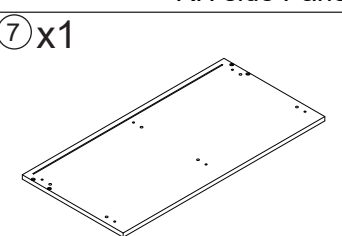
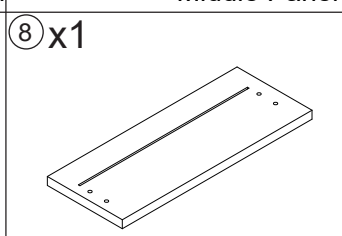
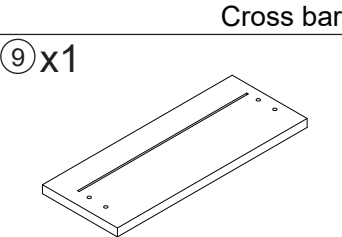
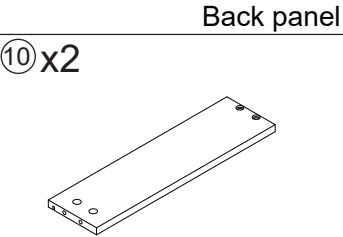
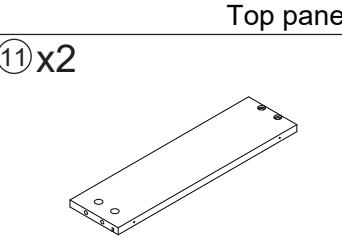
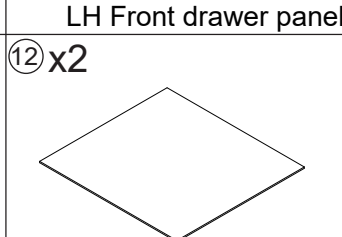
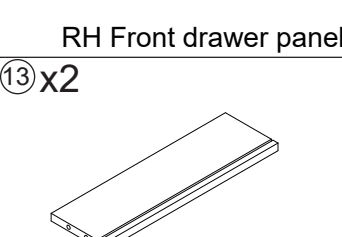
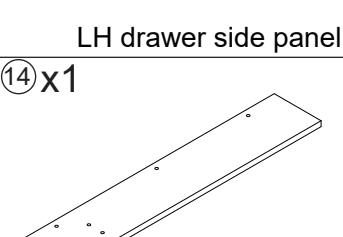
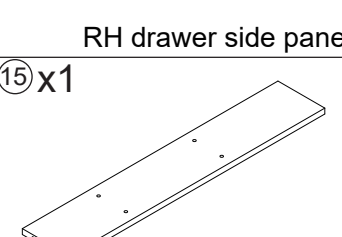
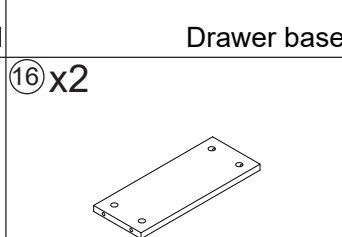
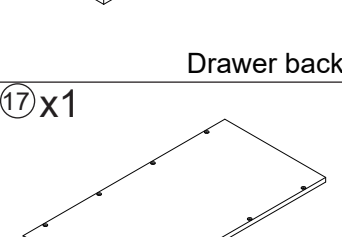
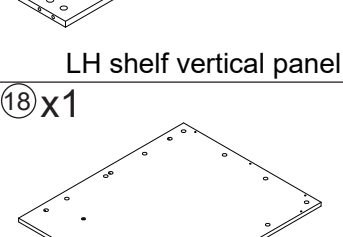
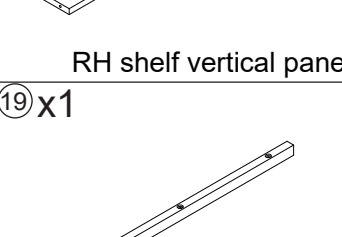
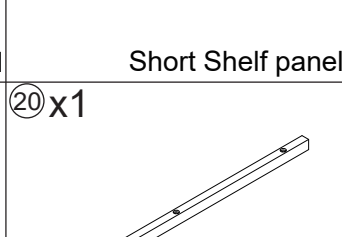
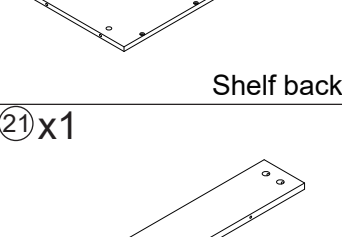
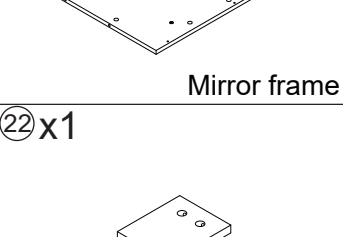
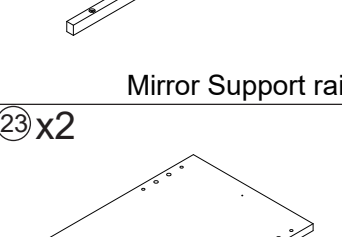
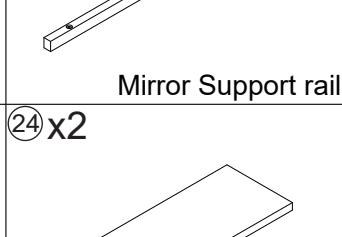
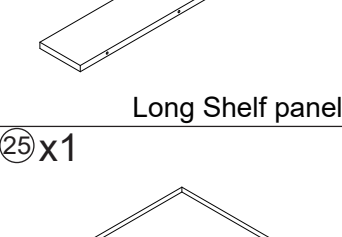
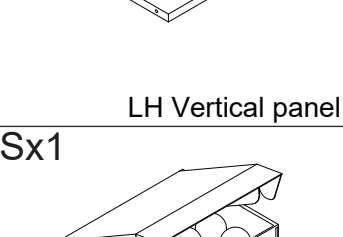


HARDWARE LIST

Ax43 	Bx14  M15x11mm	Cx29  M12x10mm	Dx2 	Ex2 	Fx2 
Gx2 	Hx20  M8x30mm	Ix4 	Jx25  M3x12mm	Kx14 	Lx1 
Mx26  M4x30mm	Nx6 	Ox6  M3x14mm	Px2 	Qx1 	Rx1 

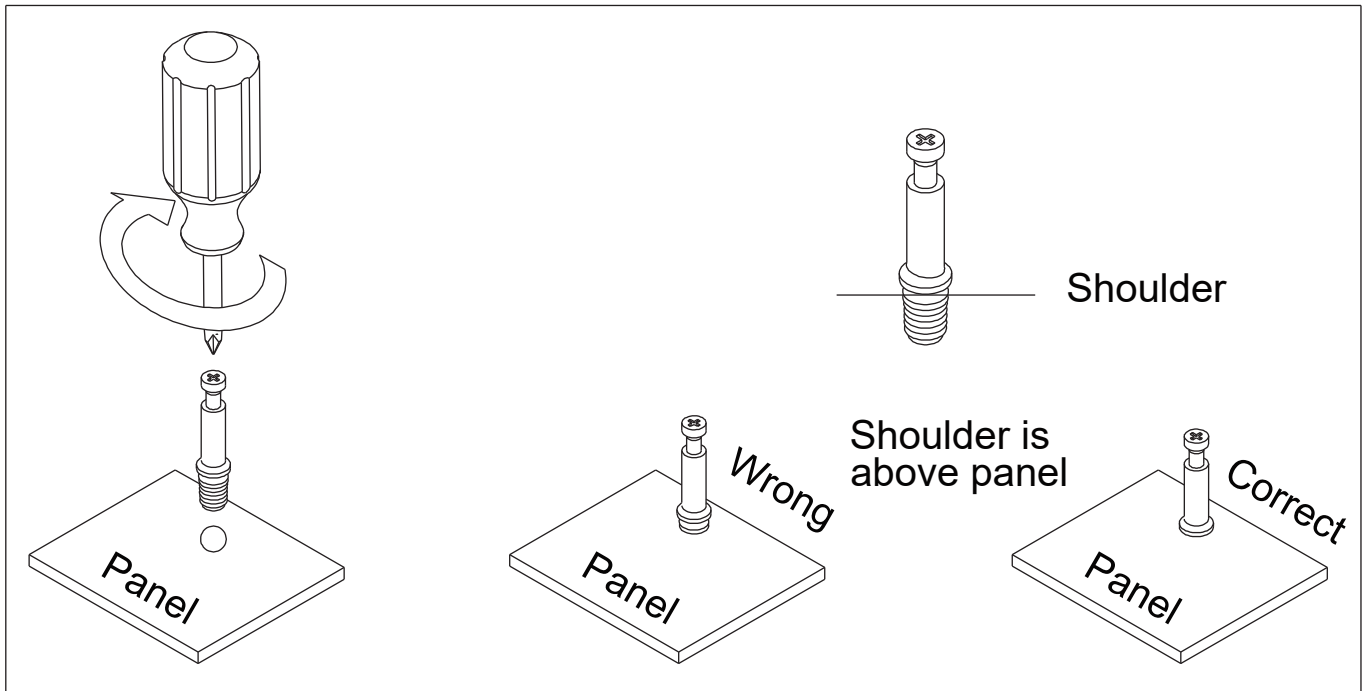
EVA DRESSING TABLE & STOOL ASSEMBLY INSTRUCTIONS

PART LIST

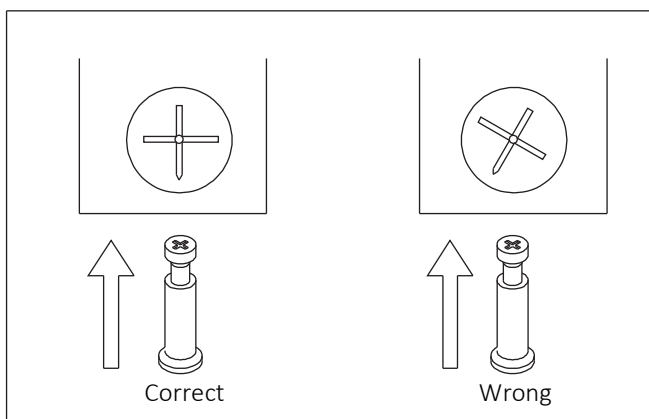
① x1  LH side Panel	② x1  Centre divider Panel	③ x1  RH side Panel	④ x1  Middle Panel
⑤ x1  Cross bar	⑥ x1  Back panel	⑦ x1  Top panel	⑧ x1  LH Front drawer panel
⑨ x1  RH Front drawer panel	⑩ x2  LH drawer side panel	⑪ x2  RH drawer side panel	⑫ x2  Drawer base
⑬ x2  Drawer back	⑭ x1  LH shelf vertical panel	⑮ x1  RH shelf vertical panel	⑯ x2  Short Shelf panel
⑰ x1  Shelf back	⑱ x1  Mirror frame	⑲ x1  Mirror Support rail	⑳ x1  Mirror Support rail
㉑ x1  Long Shelf panel	㉒ x1  LH Vertical panel	㉓ x2  Stool side panel	㉔ x2  Stool support panel
㉕ x1  Cushion	Sx1  Mirror lights		

EVA DRESSING TABLE & STOOL ASSEMBLY INSTRUCTIONS

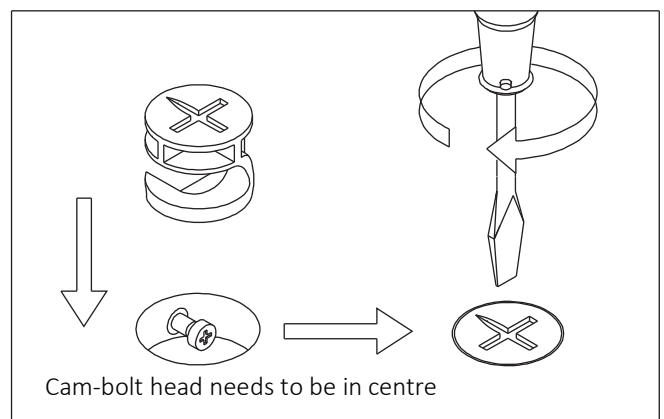
Instructions For Fastening CAM-BOLT AND CAM-LOCK



Attach the Cam-bolt to the specific pre-drilled holes on the panel. Use a Phillips Screwdriver to tighten Cam-bolt vertically until shoulder is flushed (on the same level) with panel. Do not over-tighten or under-tighten.



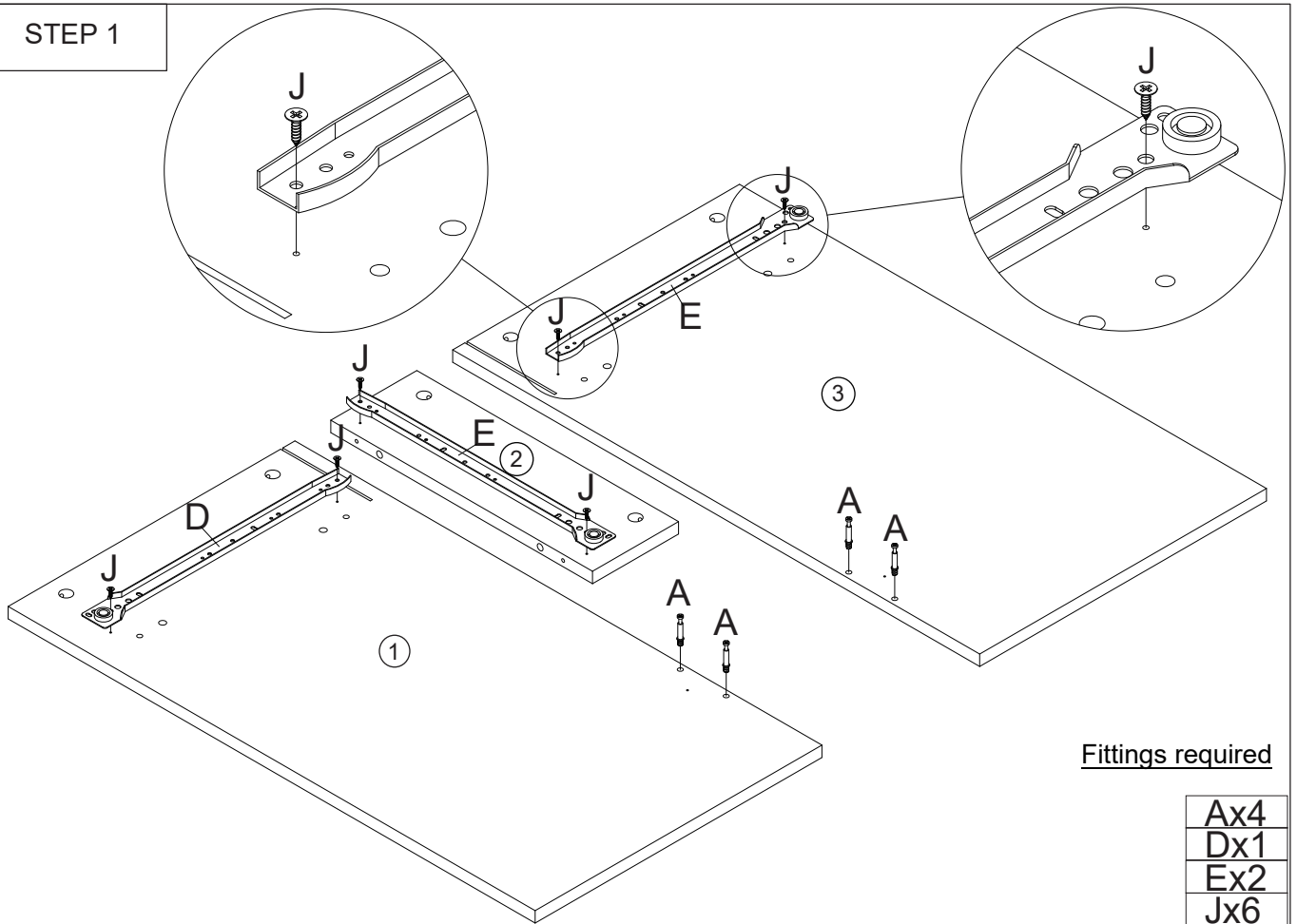
Align the arrow of the Cam-lock to the Cam-bolt head and insert the Cam-lock.



Use a Flat Screwdriver or Phillips Screwdriver to turn the Cam-lock clockwise one half a turn so it locks onto the head of the Cam-lock. Turn only until it is snug. Over-tightening could damage Cam-lock or/and Cam-bolt.

EVA DRESSING TABLE & STOOL ASSEMBLY INSTRUCTIONS

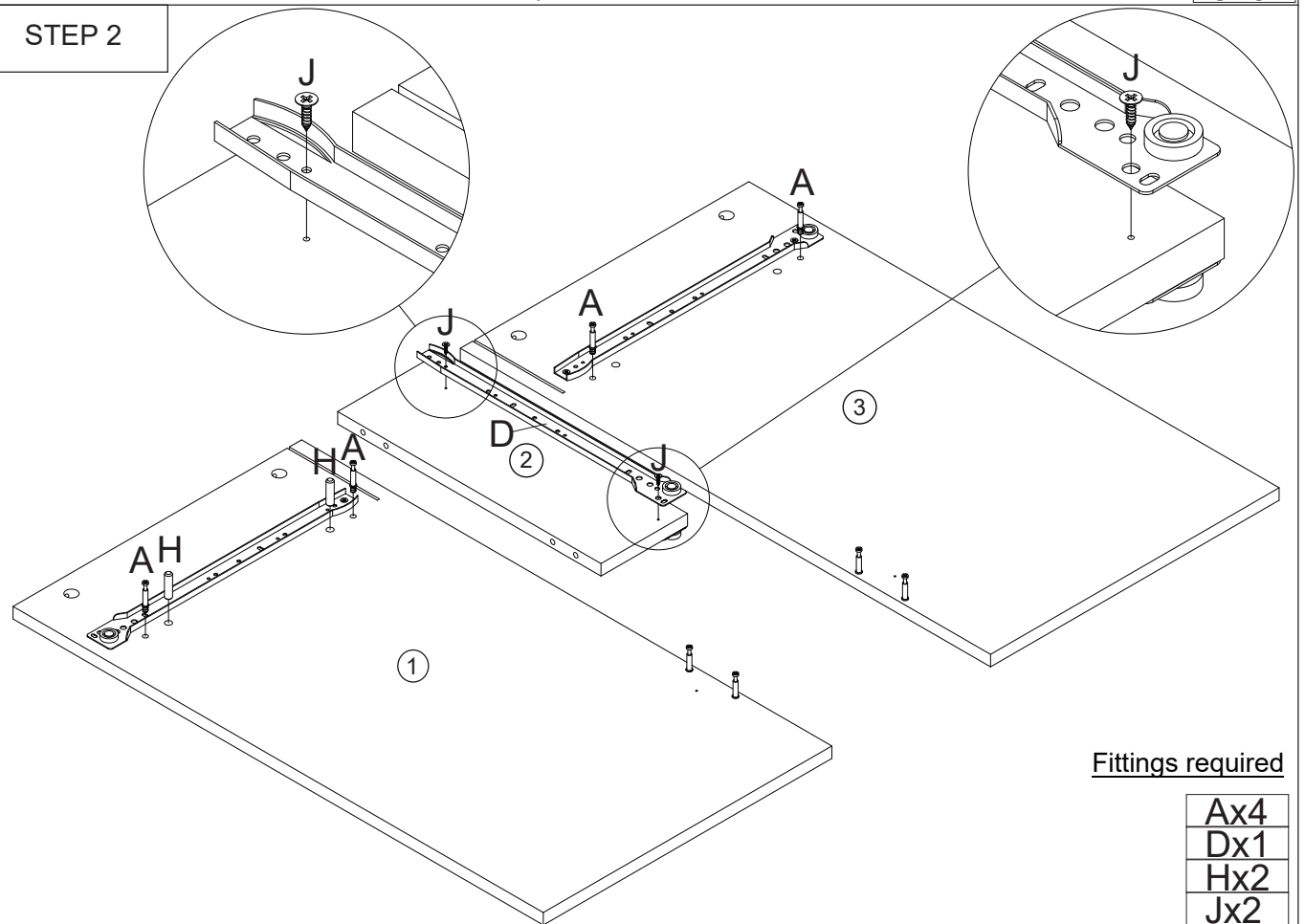
STEP 1



Fittings required

Ax4
Dx1
Ex2
Jx6

STEP 2

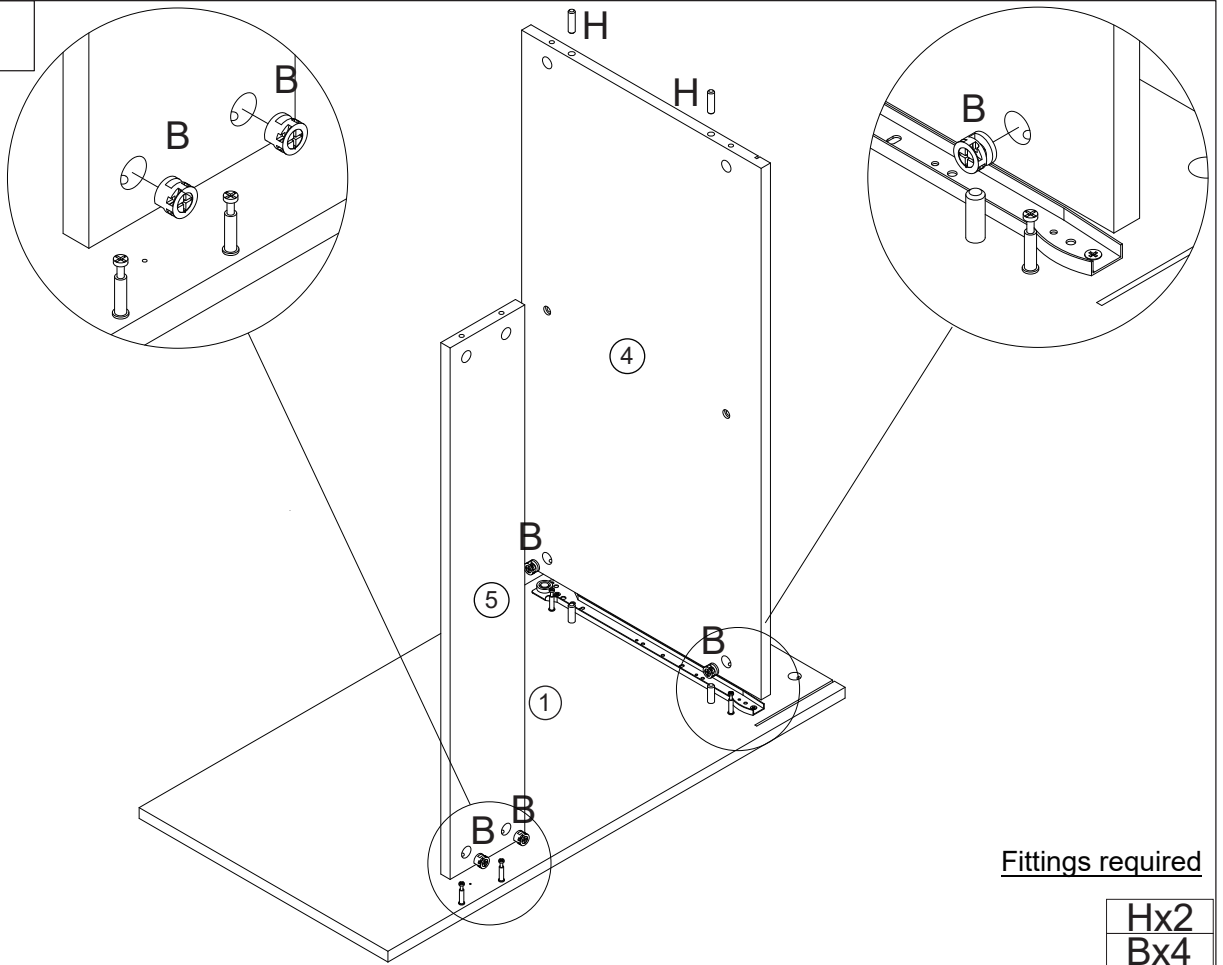


Fittings required

Ax4
Dx1
Hx2
Jx2

EVA DRESSING TABLE & STOOL ASSEMBLY INSTRUCTIONS

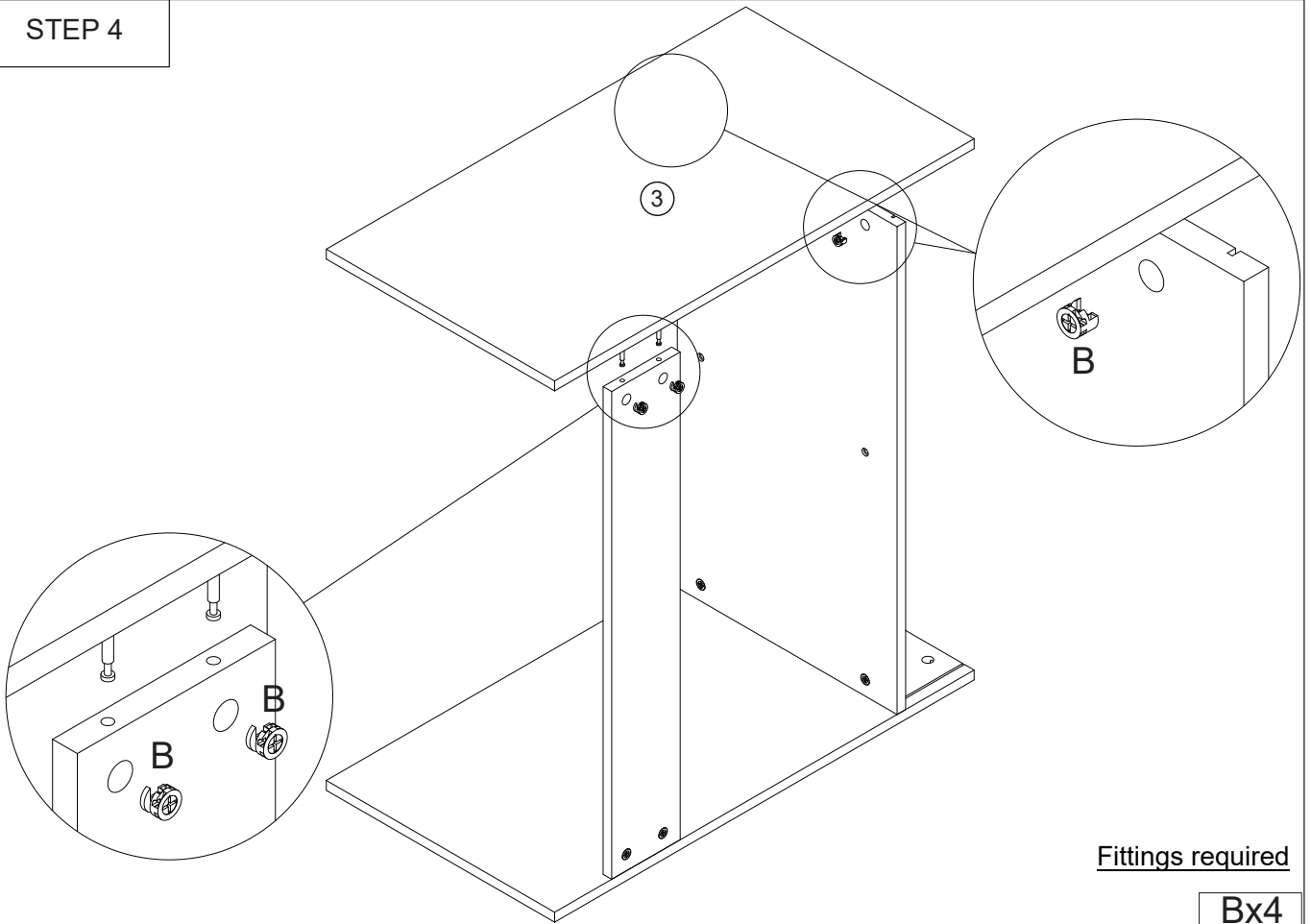
STEP 3



Fittings required

Hx2
Bx4

STEP 4

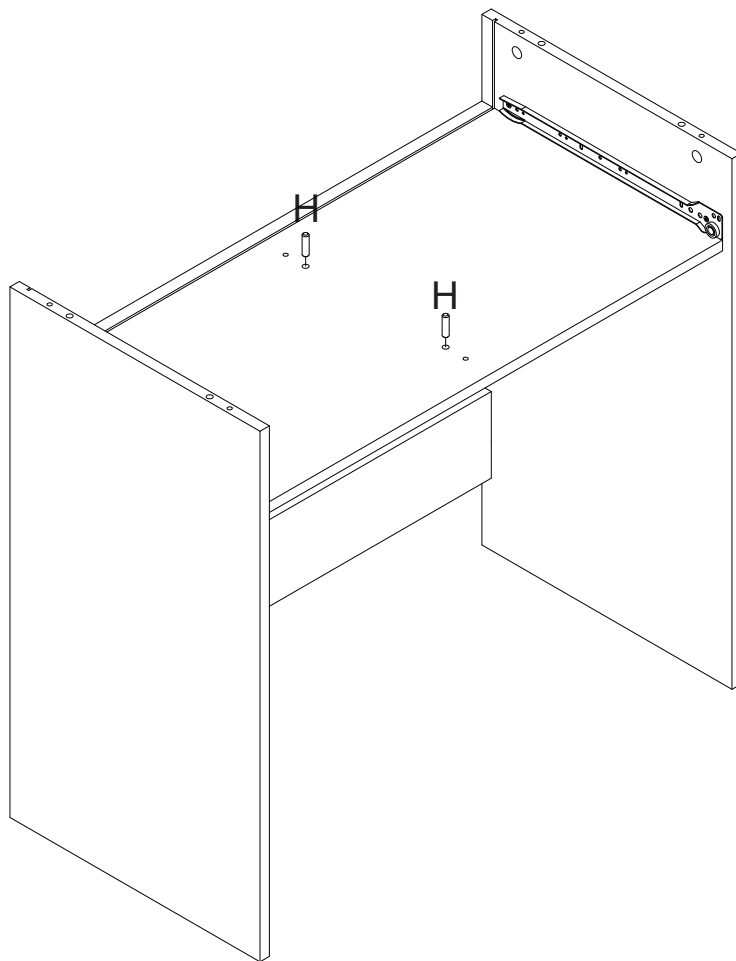


Fittings required

Bx4

EVA DRESSING TABLE & STOOL ASSEMBLY INSTRUCTIONS

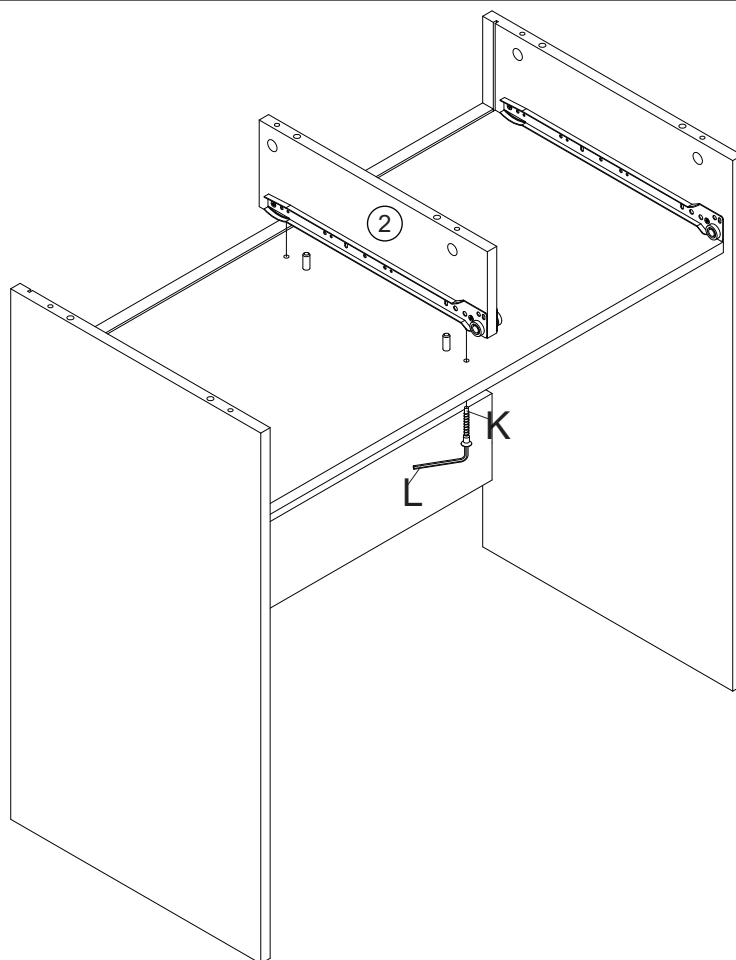
STEP 5



Fittings required

Hx2

STEP 6

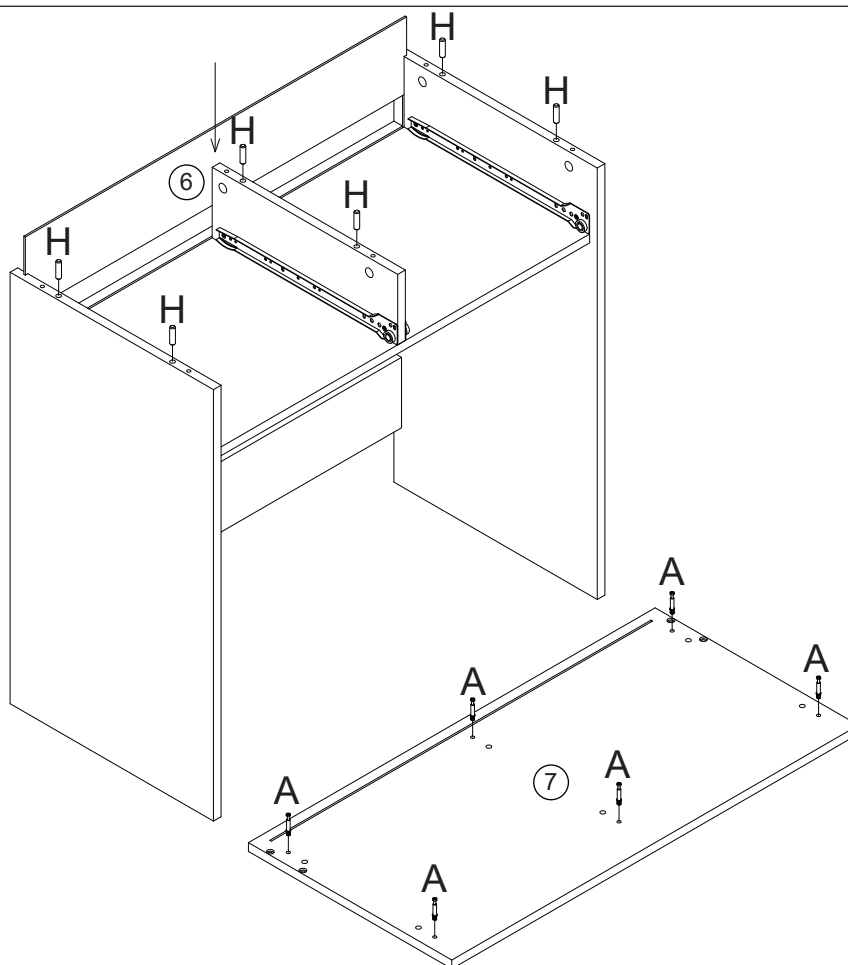


Fittings required

Kx2
Lx1

EVA DRESSING TABLE & STOOL ASSEMBLY INSTRUCTIONS

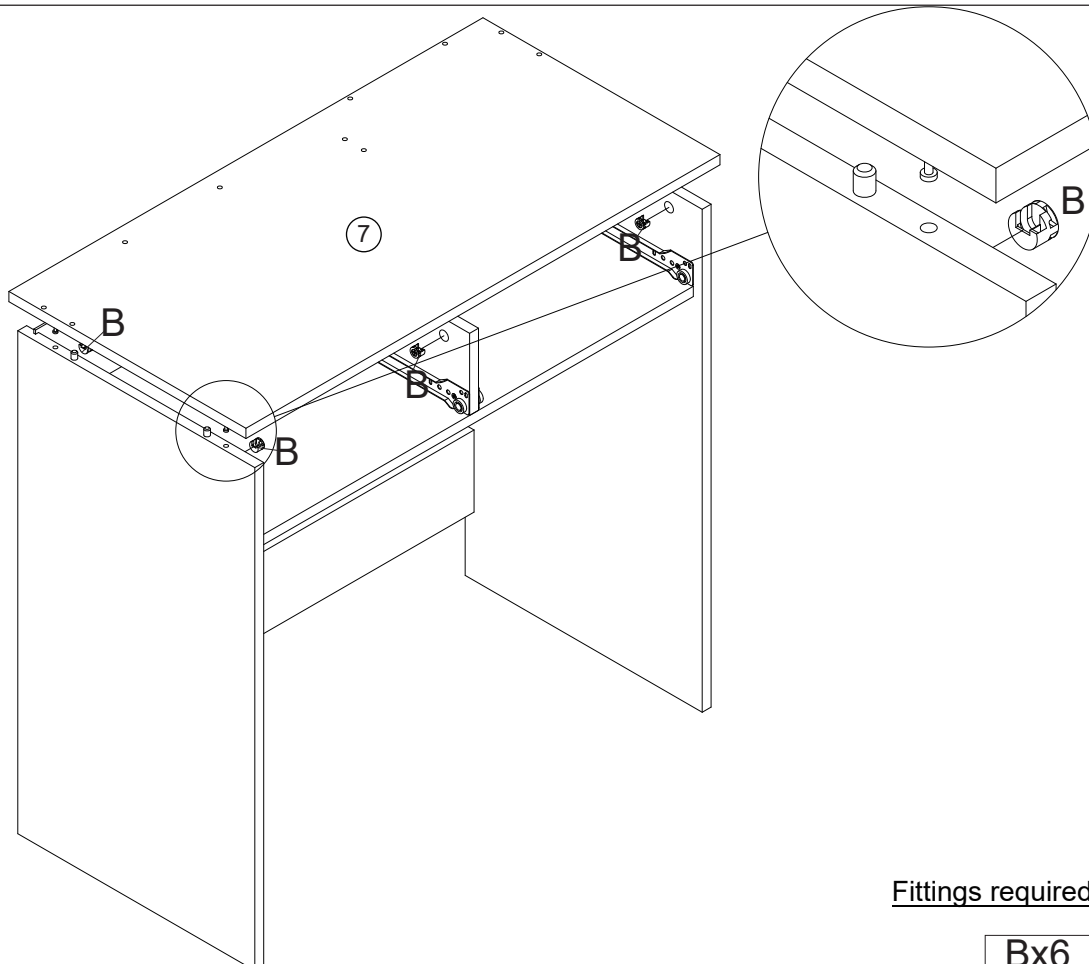
STEP 7



Fittings required

Ax6
Hx6

STEP 8

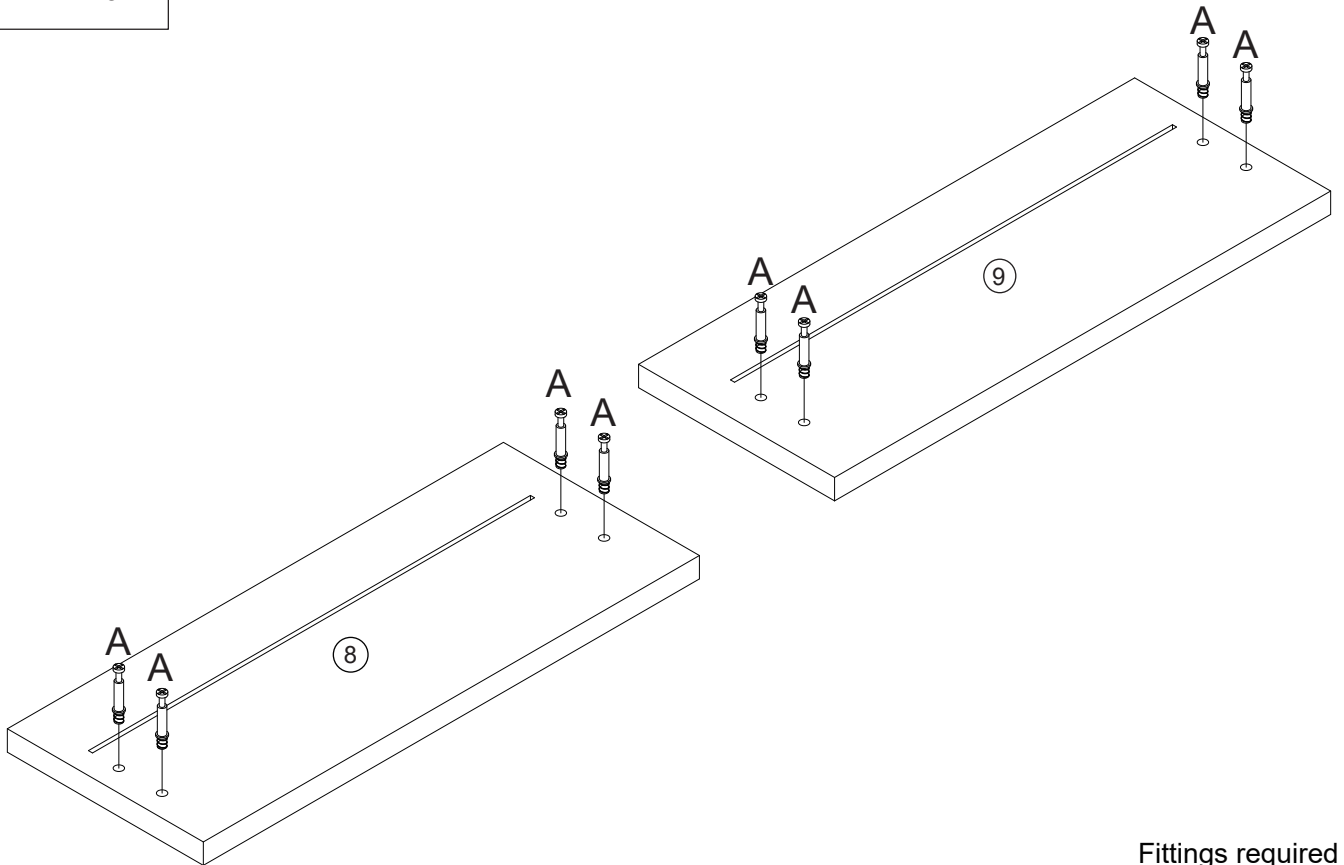


Fittings required

Bx6

EVA DRESSING TABLE & STOOL ASSEMBLY INSTRUCTIONS

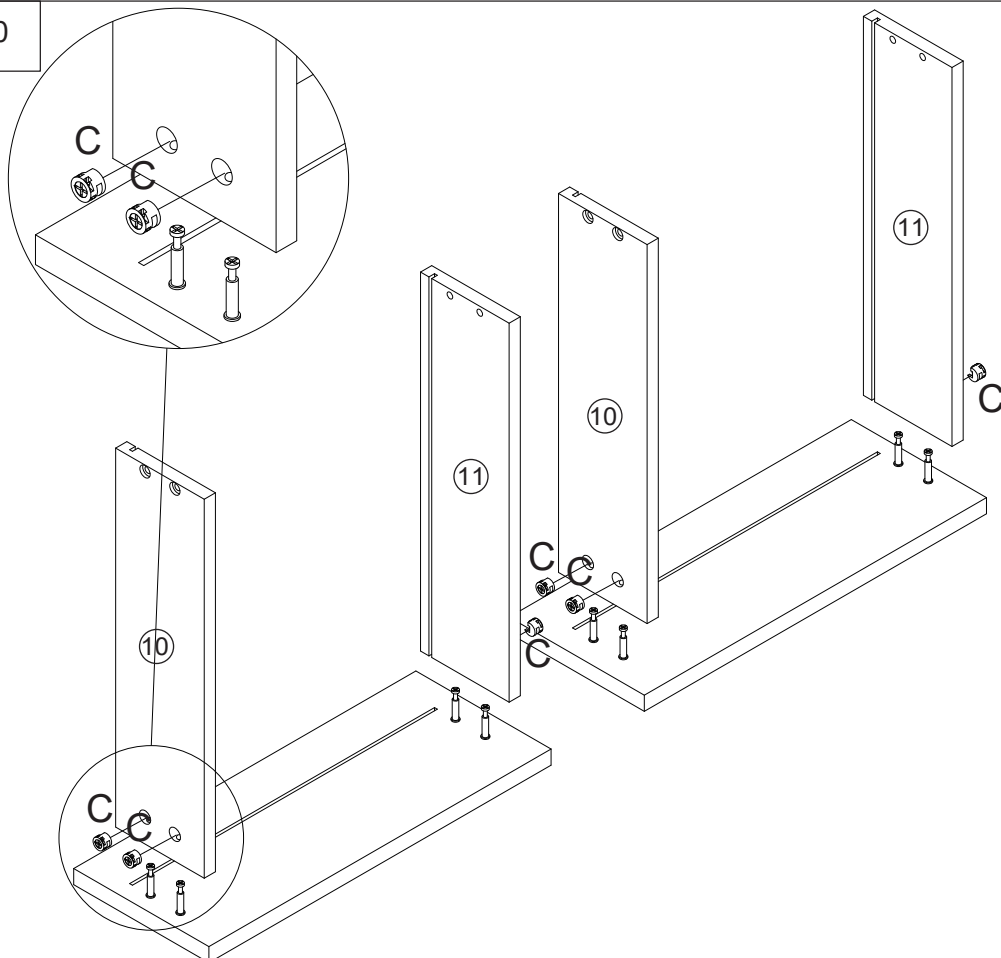
STEP 9



Fittings required

Ax8

STEP 10

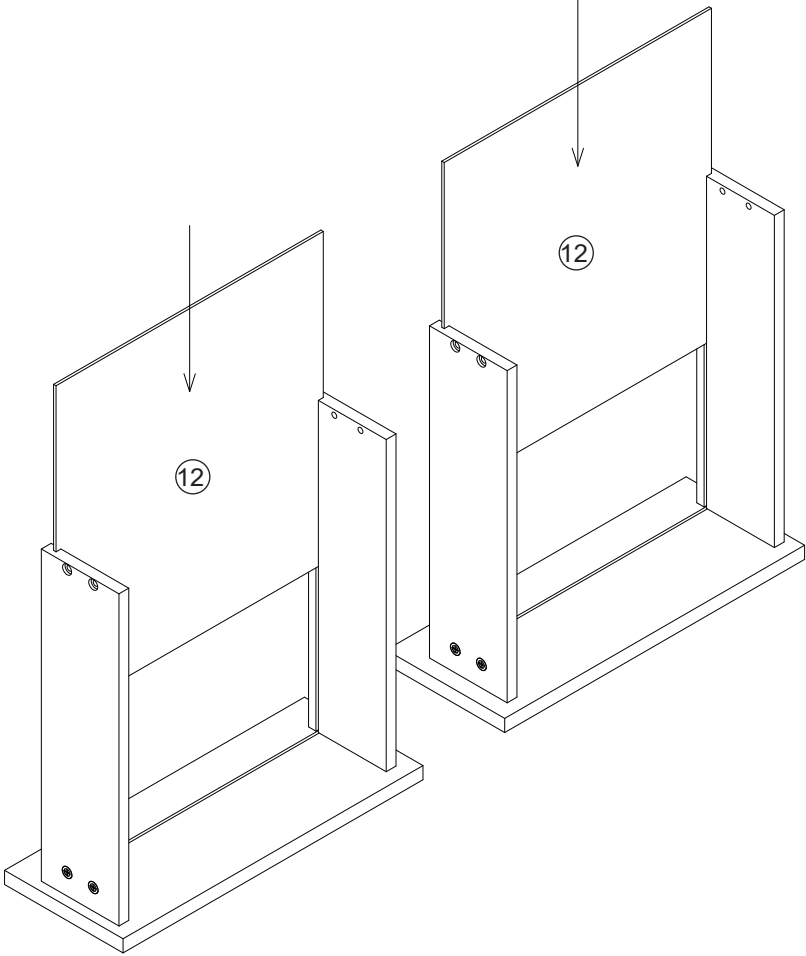


Fittings required

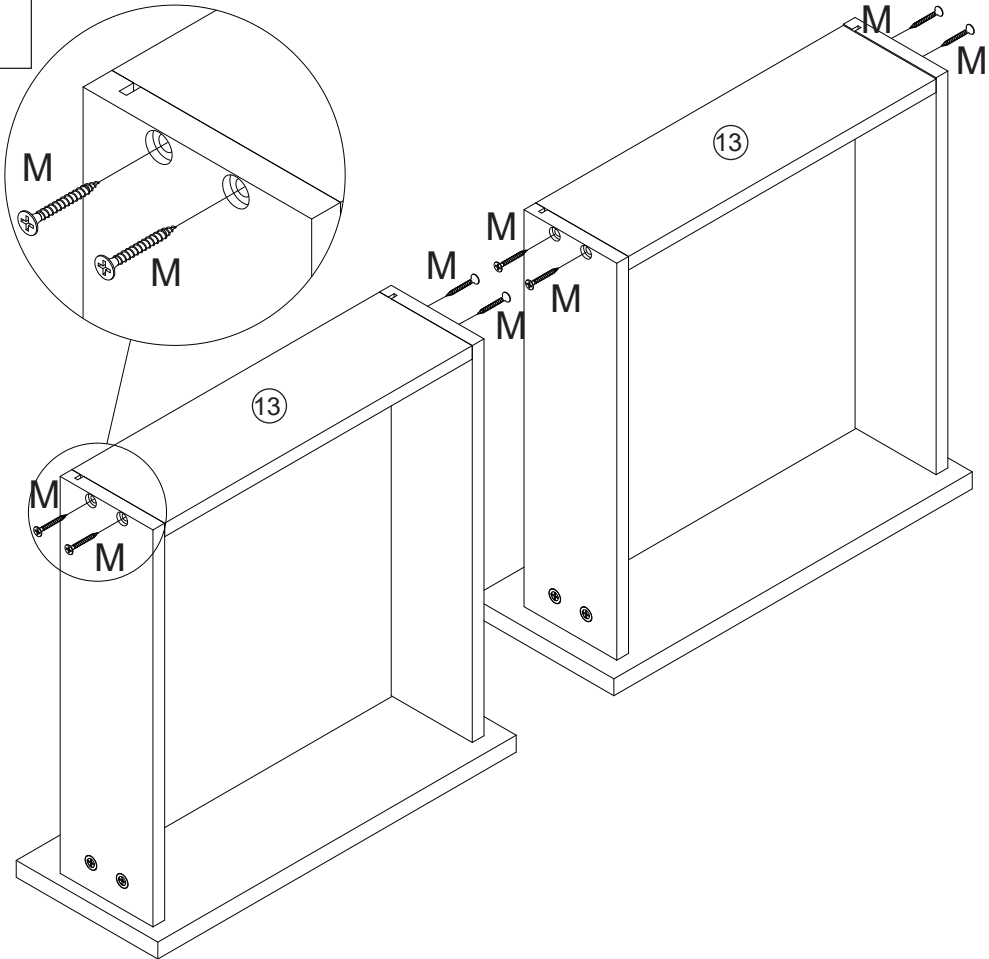
Cx8

EVA DRESSING TABLE & STOOL ASSEMBLY INSTRUCTIONS

STEP 11



STEP 12

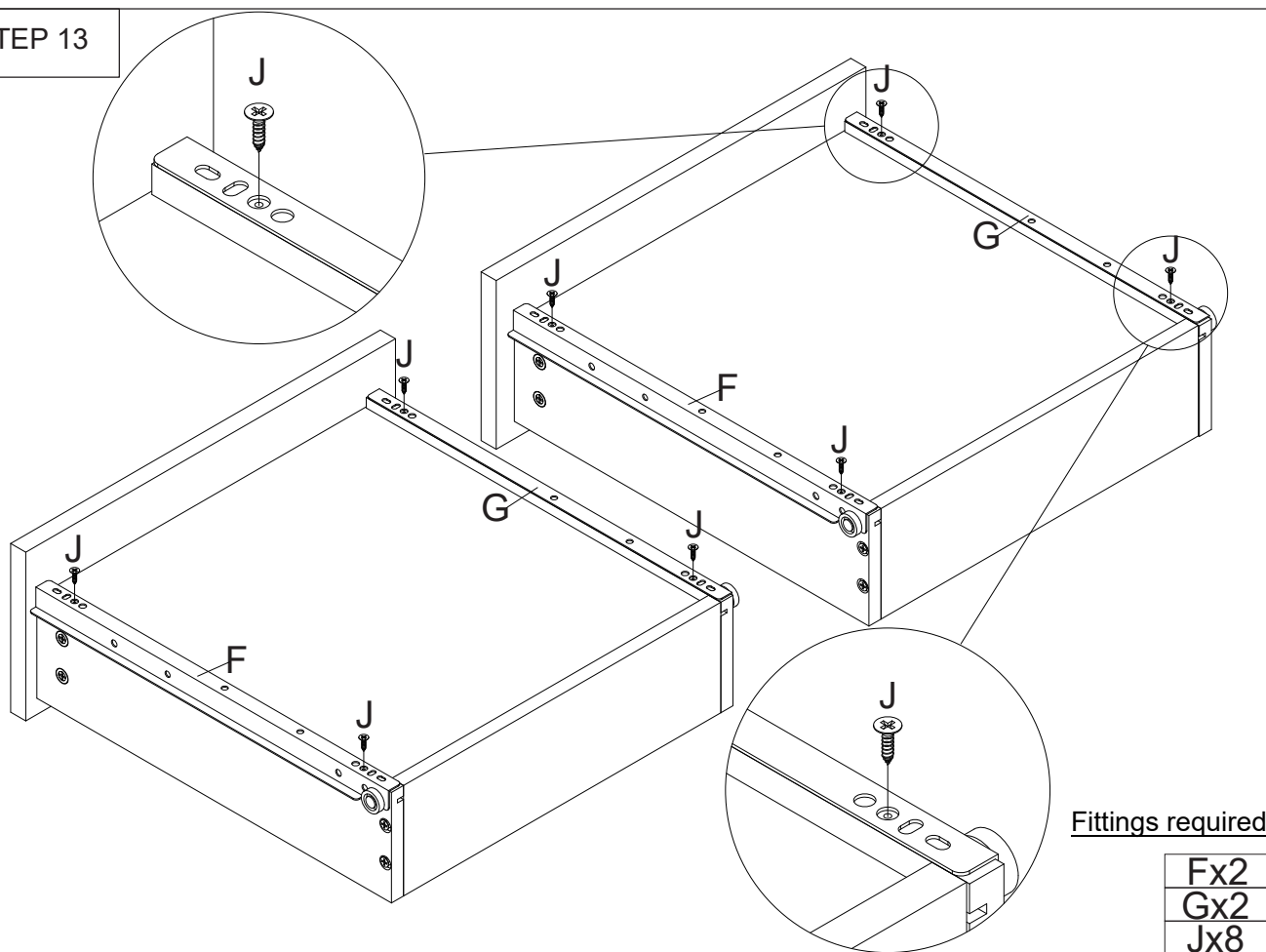


Fittings required

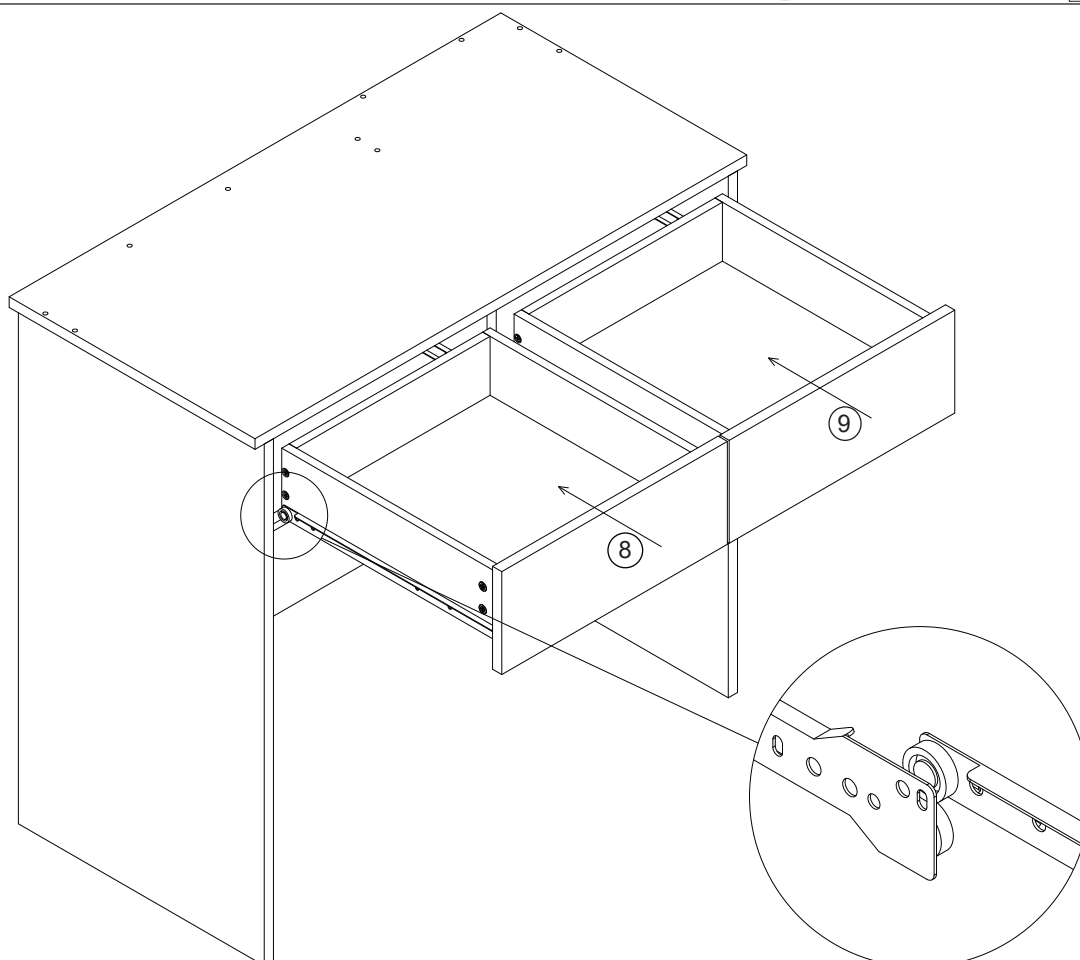
Mx8

EVA DRESSING TABLE & STOOL ASSEMBLY INSTRUCTIONS

STEP 13

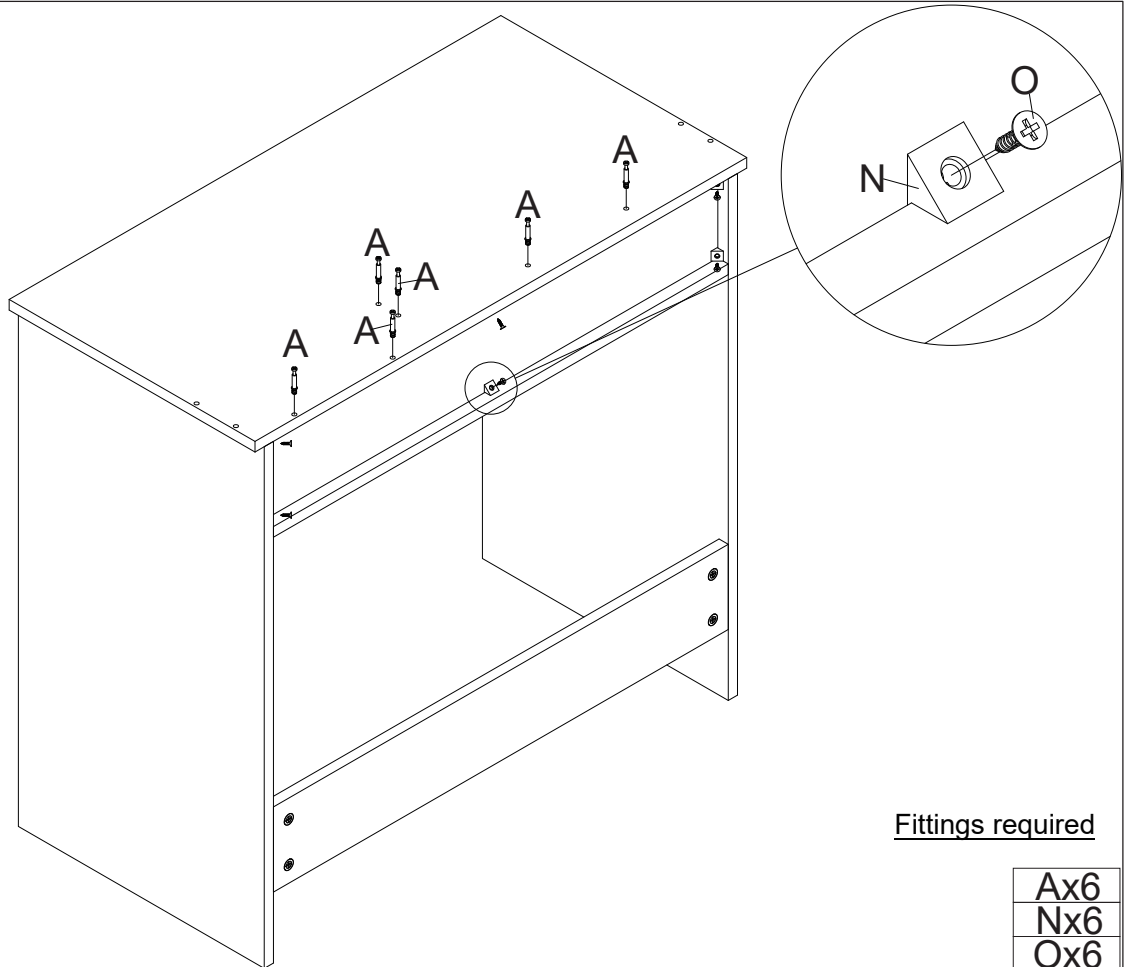


STEP 14



EVA DRESSING TABLE & STOOL ASSEMBLY INSTRUCTIONS

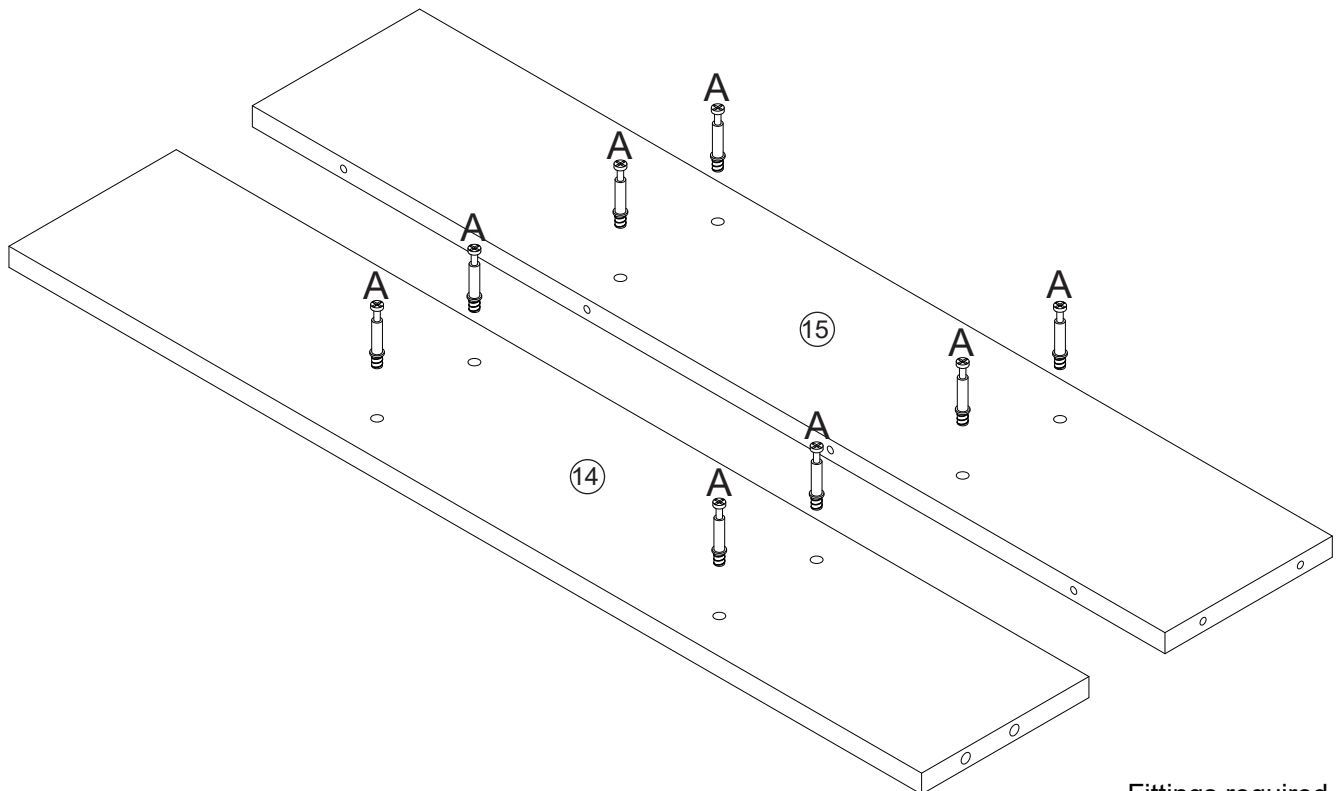
STEP 15



Fittings required

Ax6
Nx6
Ox6

STEP 16

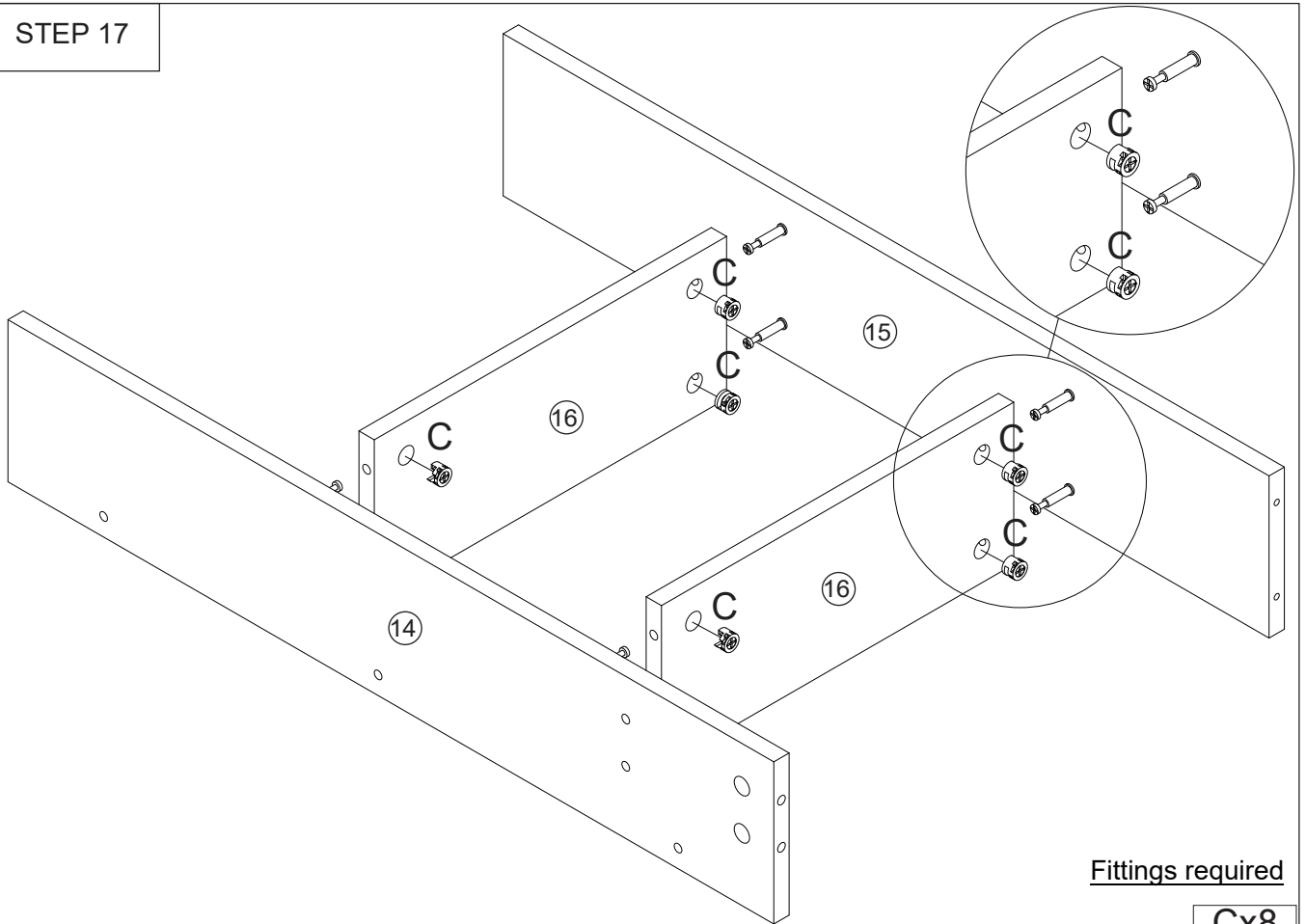


Fittings required

Ax8

EVA DRESSING TABLE & STOOL ASSEMBLY INSTRUCTIONS

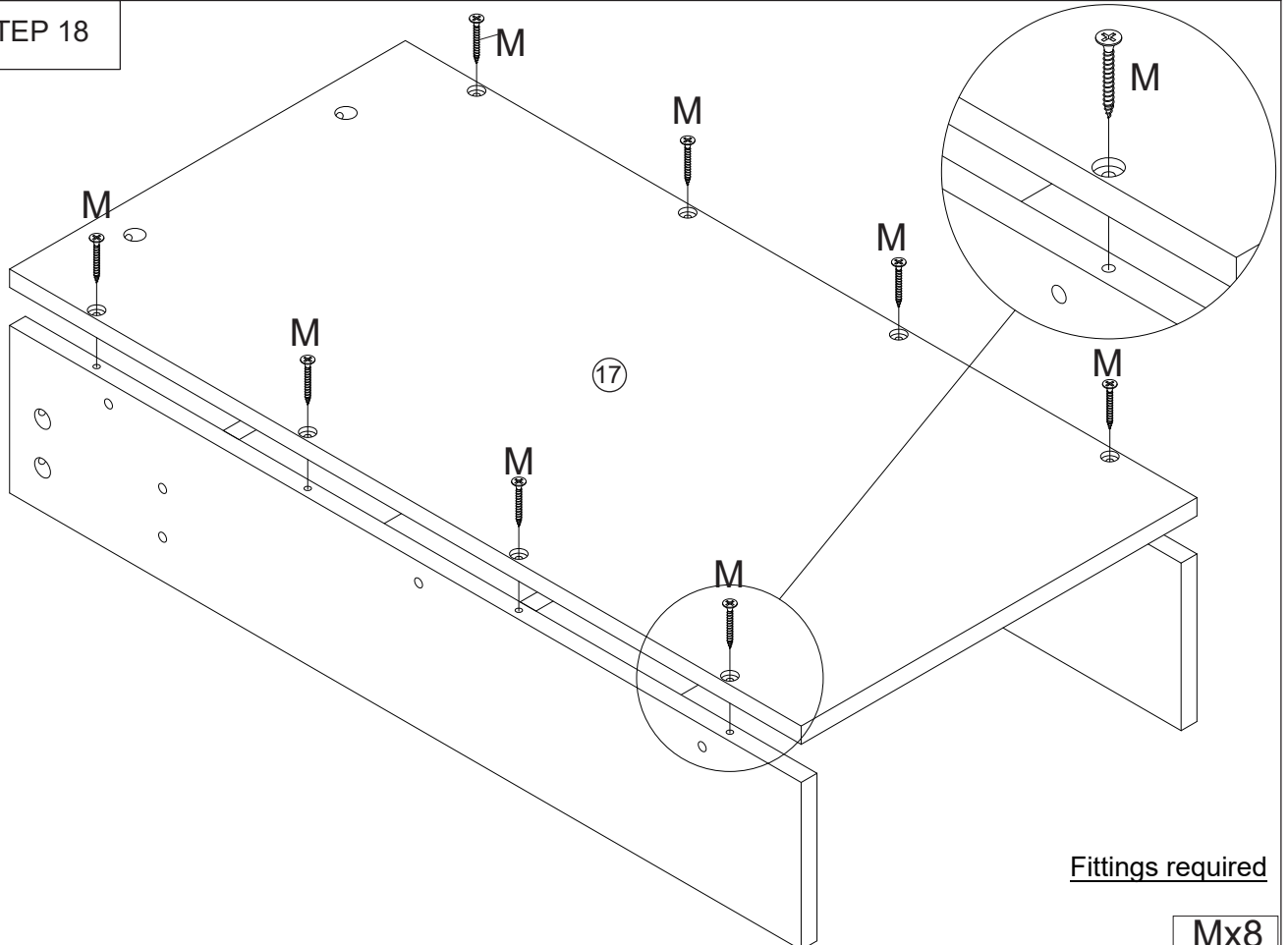
STEP 17



Fittings required

Cx8

STEP 18

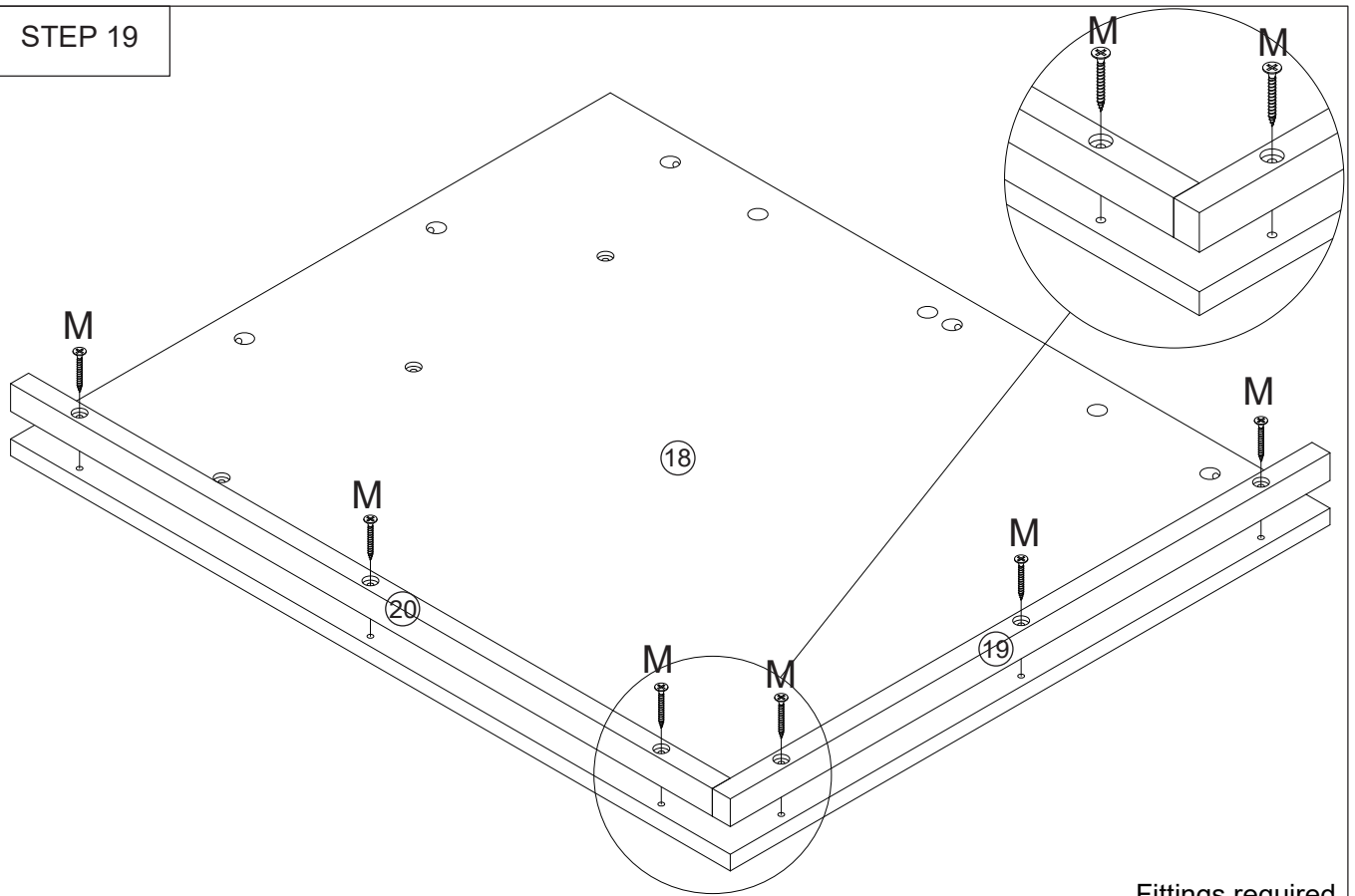


Fittings required

Mx8

EVA DRESSING TABLE & STOOL ASSEMBLY INSTRUCTIONS

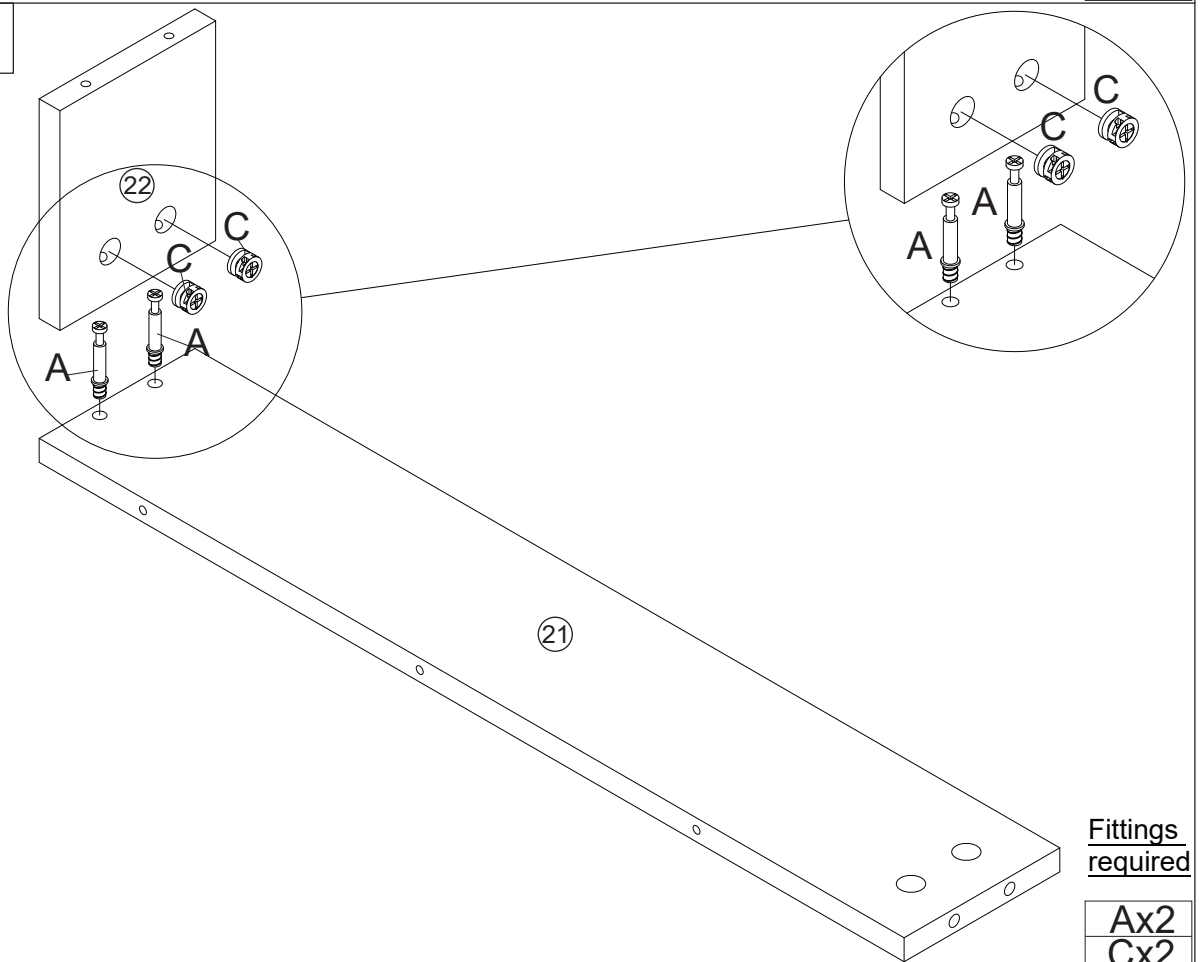
STEP 19



Fittings required

Mx6

STEP 20

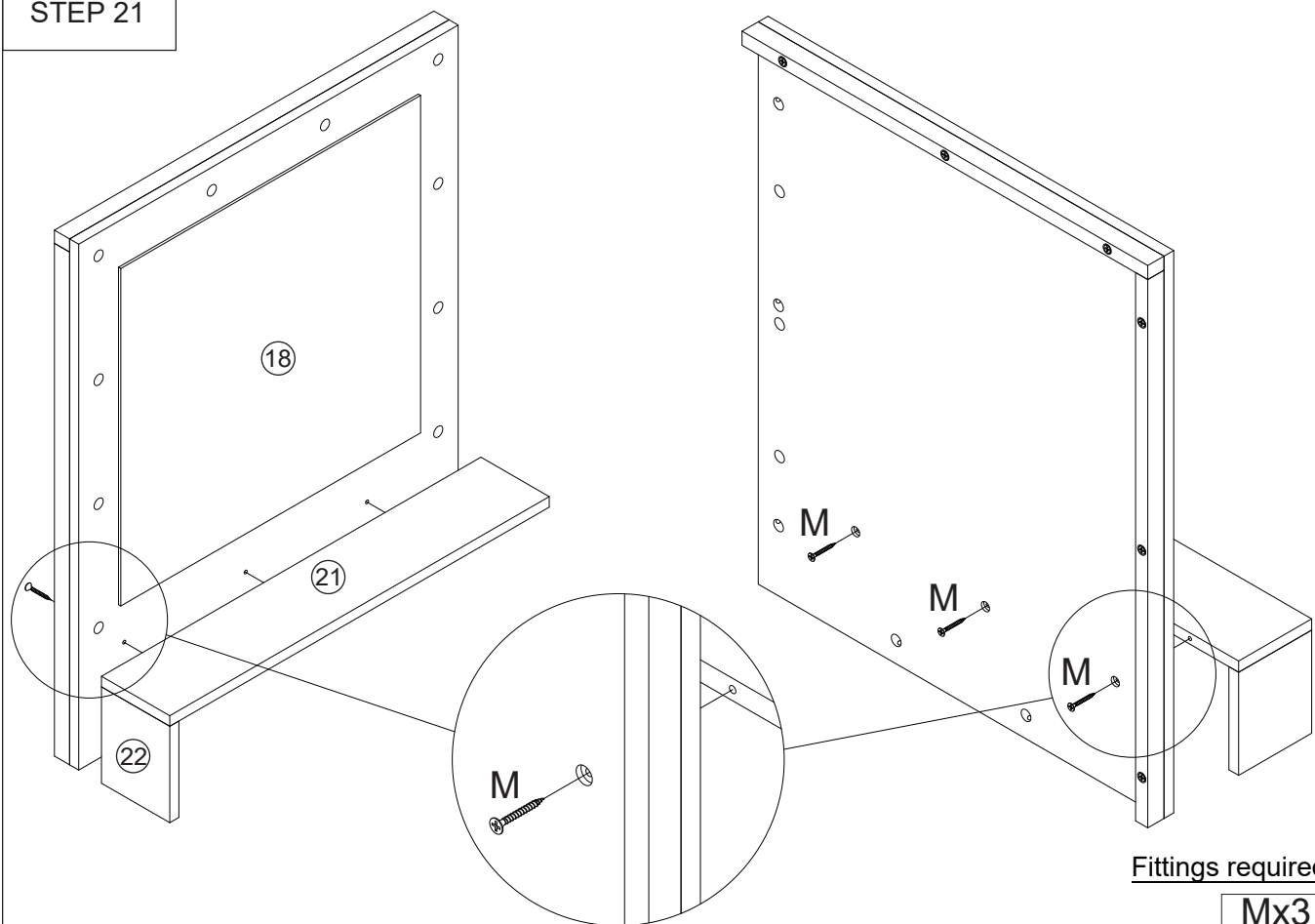


Fittings required

Ax2
Cx2

EVA DRESSING TABLE & STOOL ASSEMBLY INSTRUCTIONS

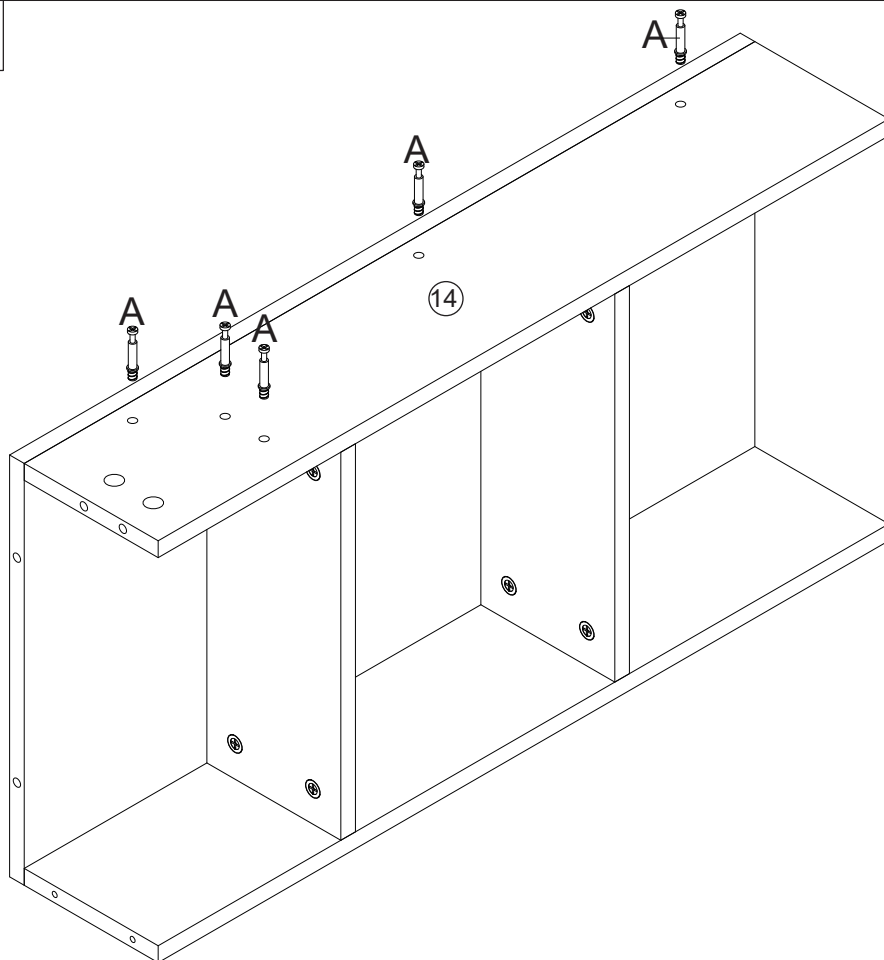
STEP 21



Fittings required

Mx3

STEP 22

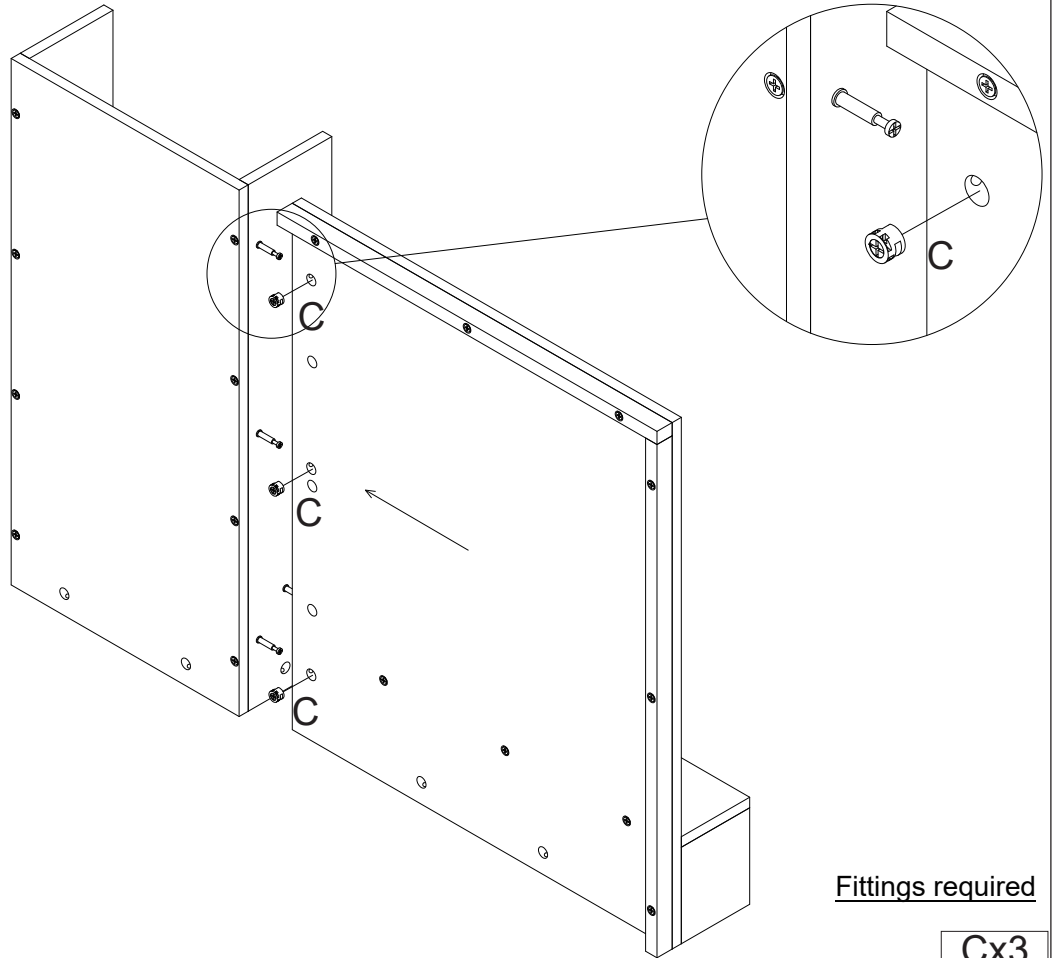


Fittings required

Ax5

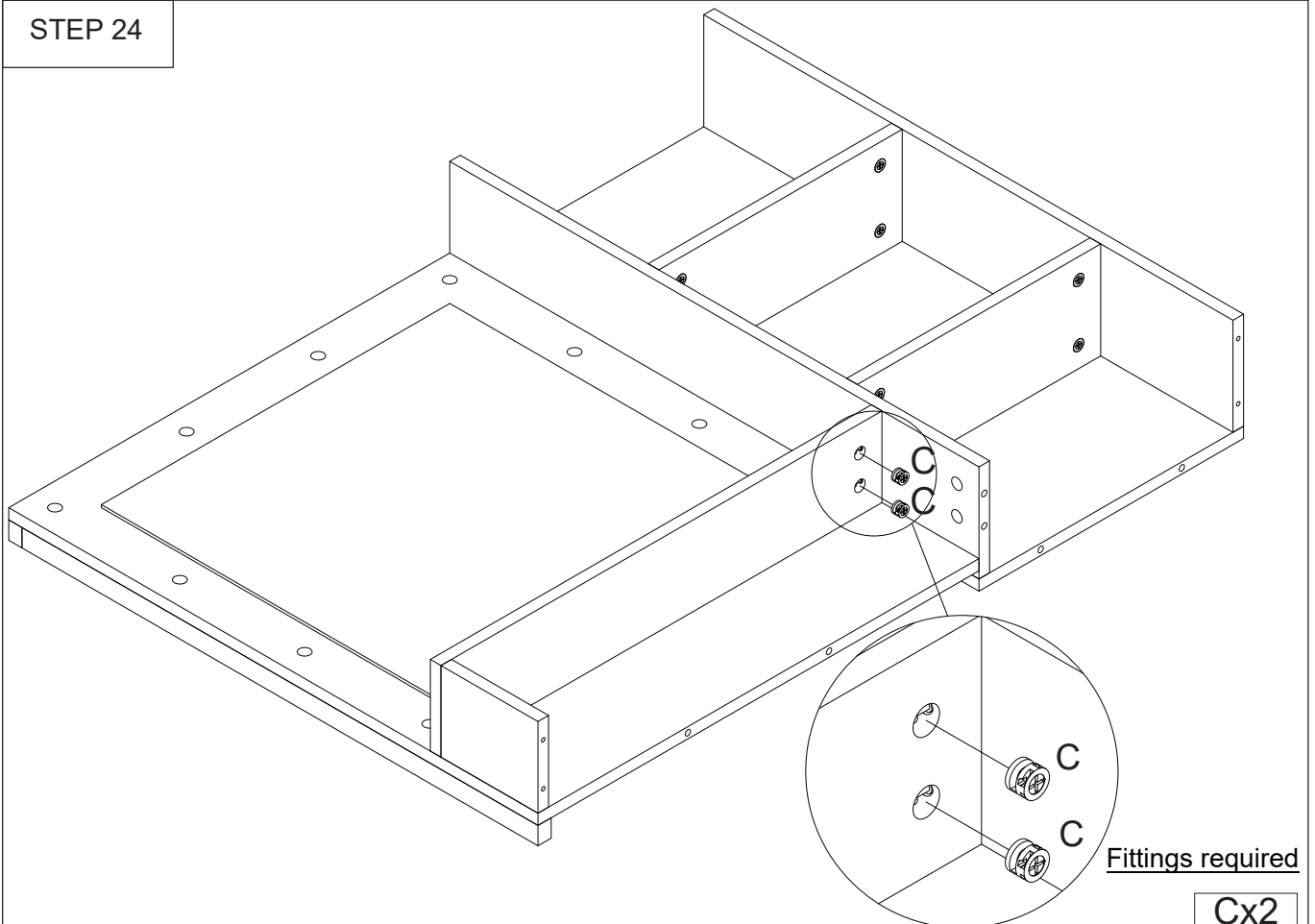
EVA DRESSING TABLE & STOOL ASSEMBLY INSTRUCTIONS

STEP 23



Cx3

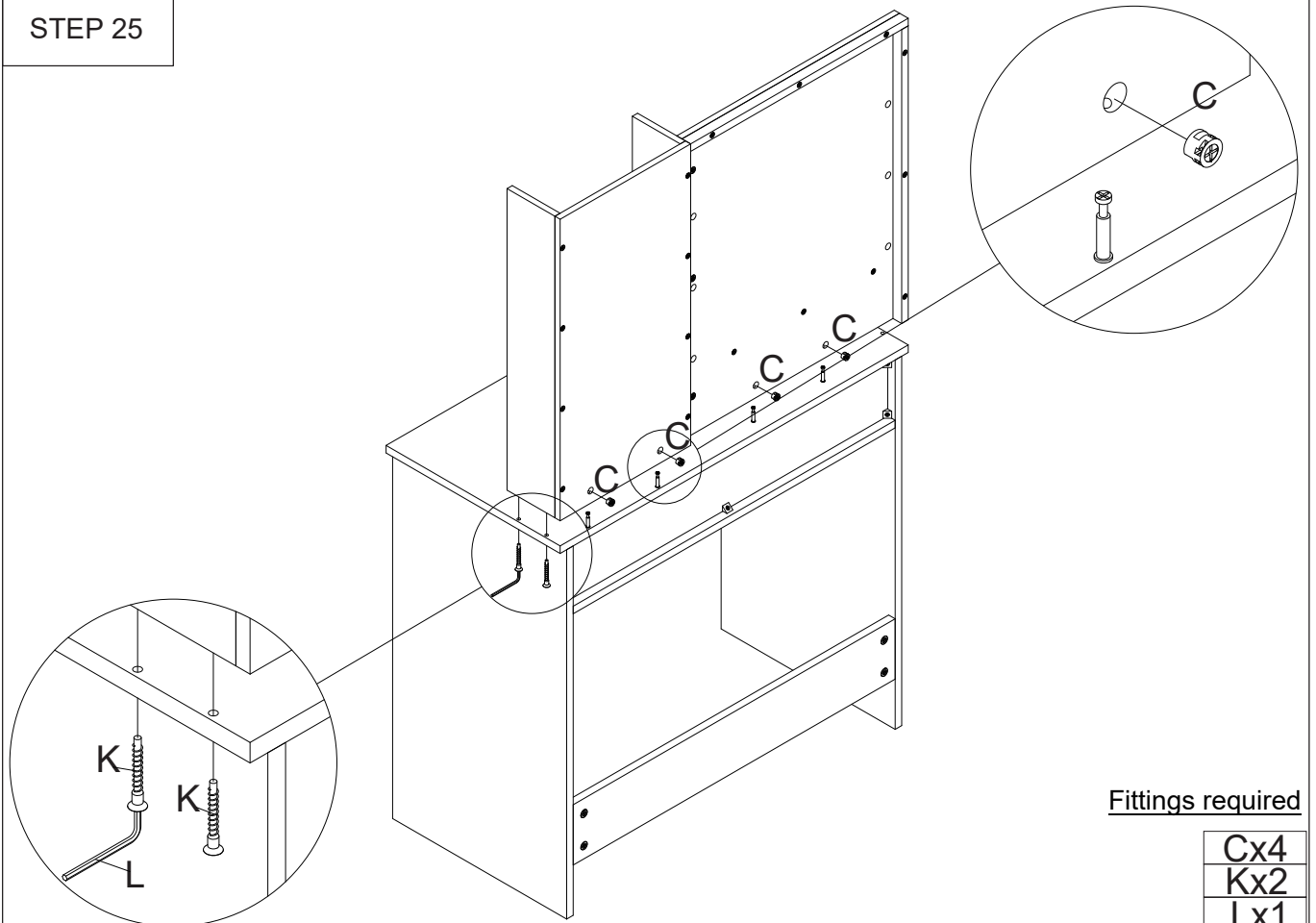
STEP 24



Cx2

EVA DRESSING TABLE & STOOL ASSEMBLY INSTRUCTIONS

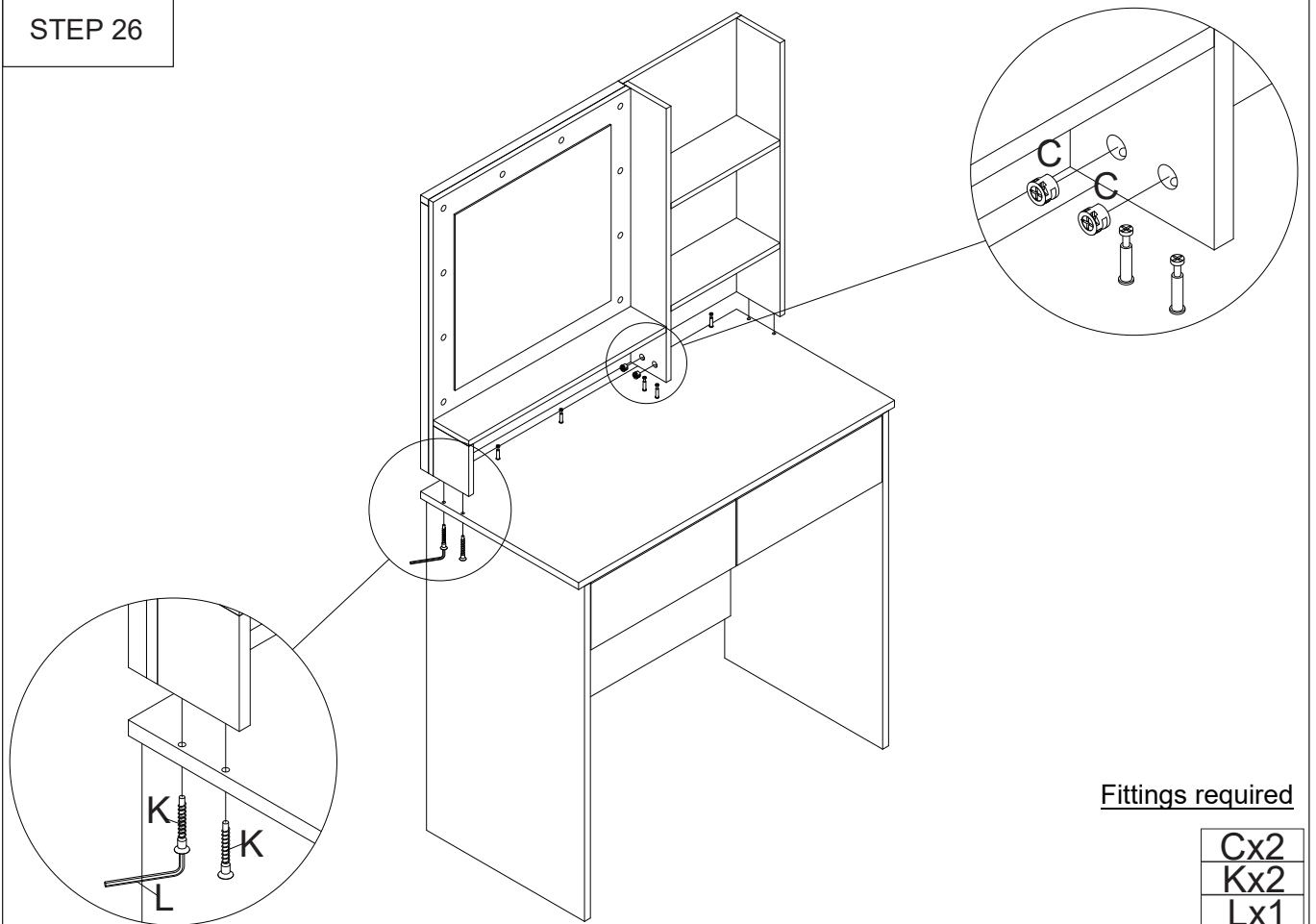
STEP 25



Fittings required

Cx4
Kx2
Lx1

STEP 26

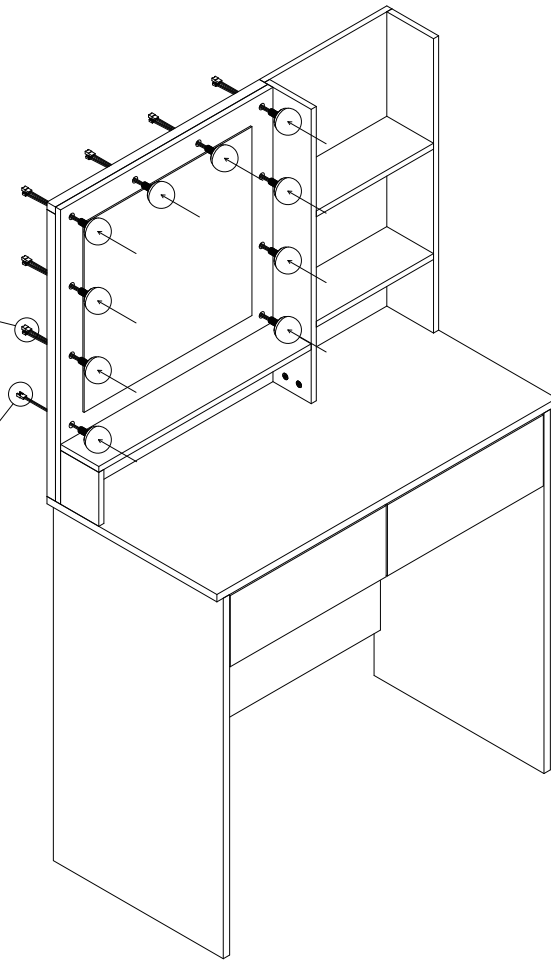
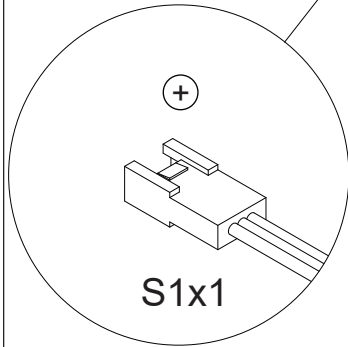
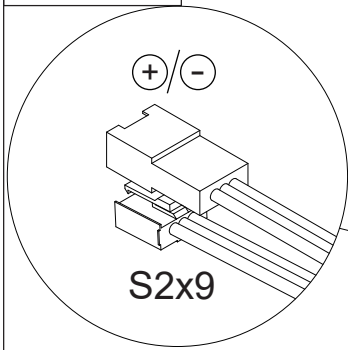


Fittings required

Cx2
Kx2
Lx1

EVA DRESSING TABLE & STOOL ASSEMBLY INSTRUCTIONS

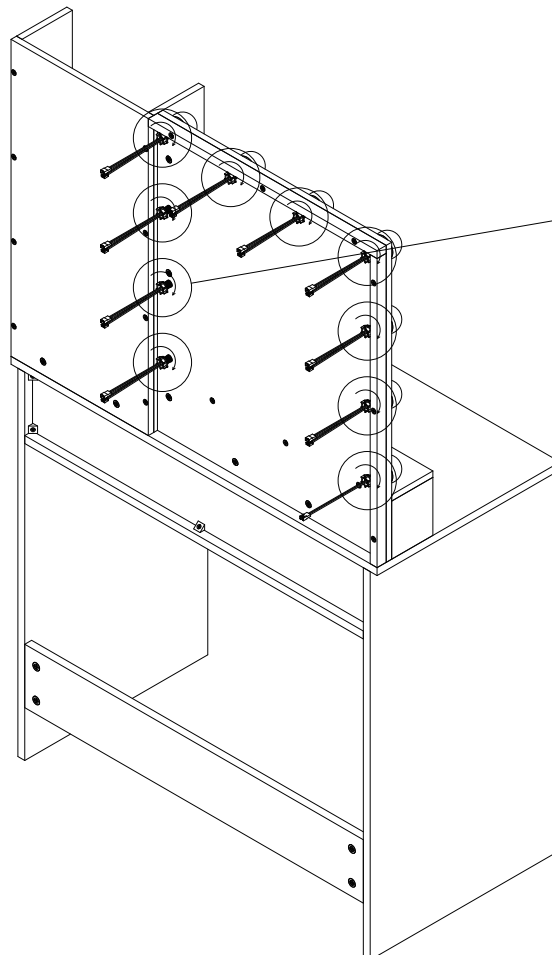
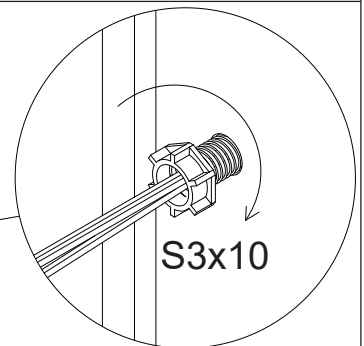
STEP 27



Fittings required

S1x1
S2x9

STEP 28

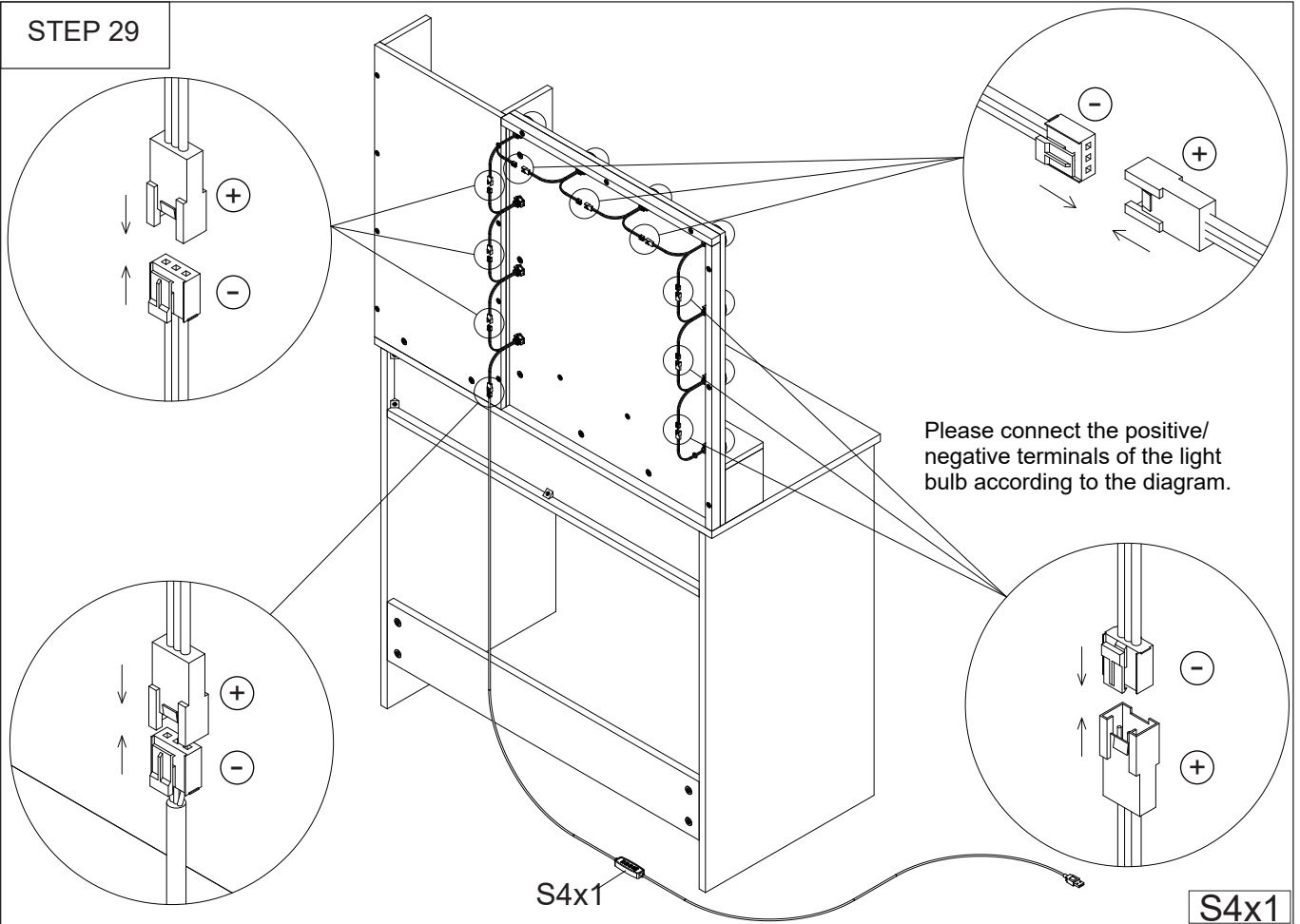


Fittings required

S3x10

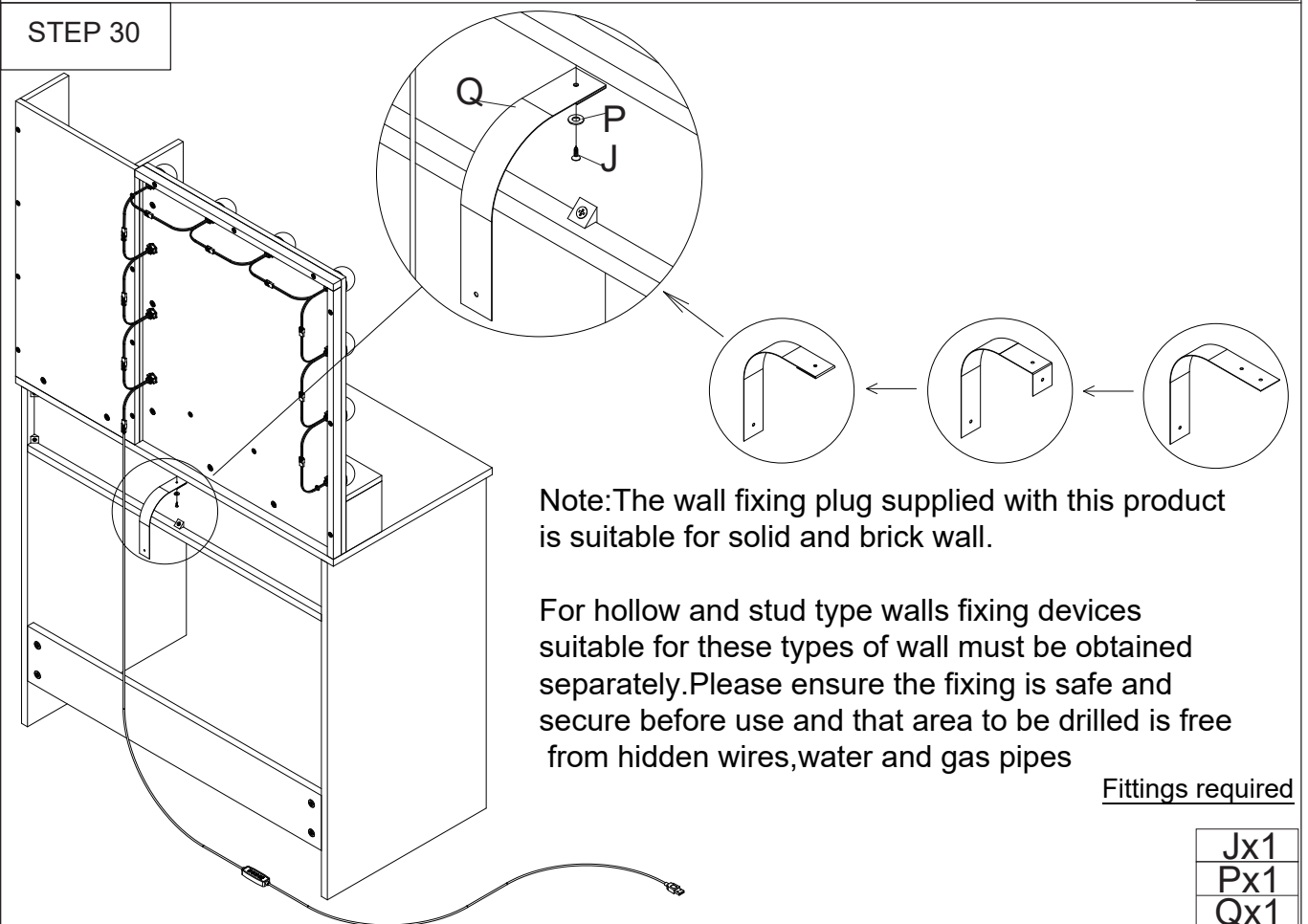
EVA DRESSING TABLE & STOOL ASSEMBLY INSTRUCTIONS

STEP 29



Please connect the positive/negative terminals of the light bulb according to the diagram.

STEP 30



Note: The wall fixing plug supplied with this product is suitable for solid and brick wall.

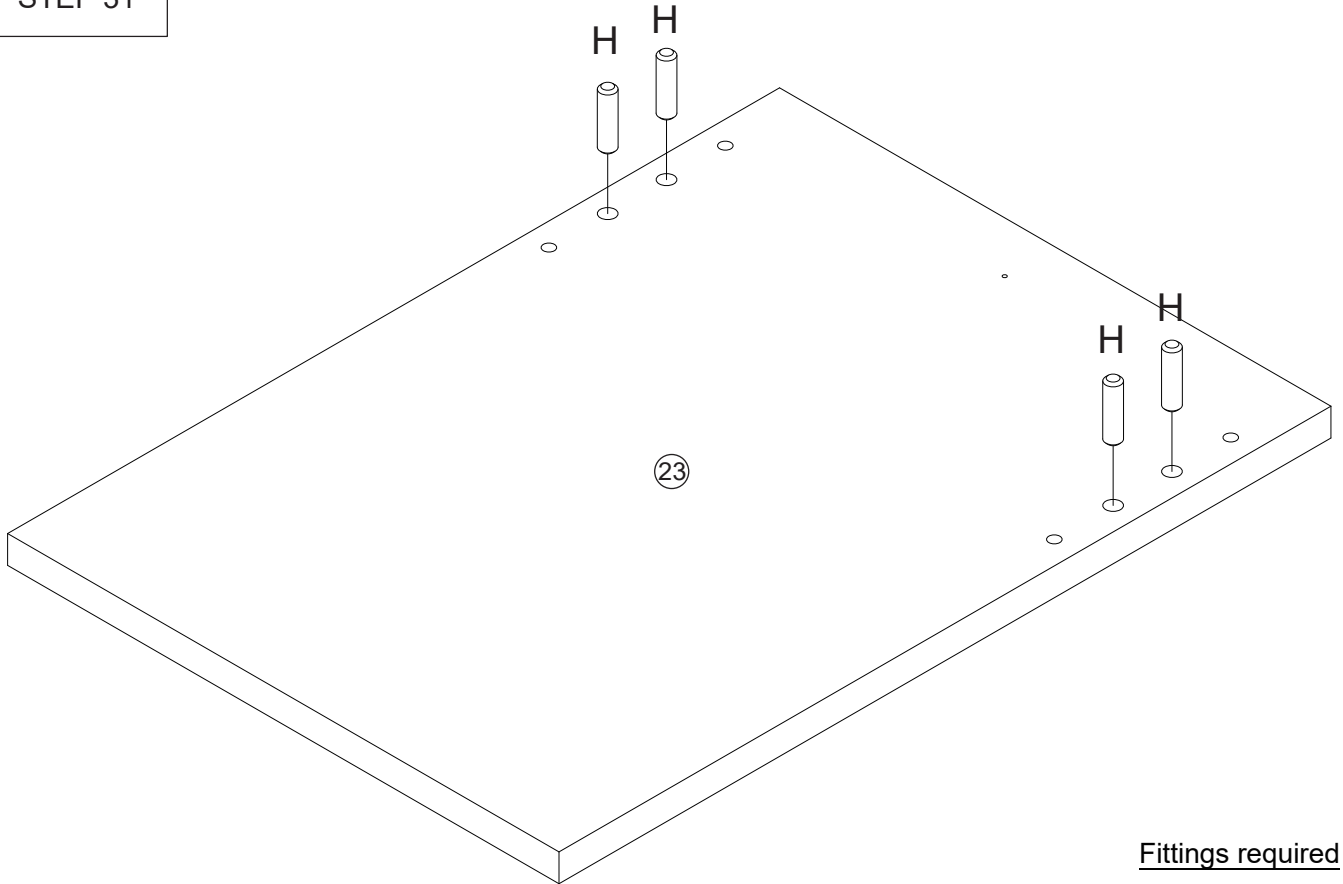
For hollow and stud type walls fixing devices suitable for these types of wall must be obtained separately. Please ensure the fixing is safe and secure before use and that area to be drilled is free from hidden wires, water and gas pipes

Fittings required

Jx1
Px1
Qx1

EVA DRESSING TABLE & STOOL ASSEMBLY INSTRUCTIONS

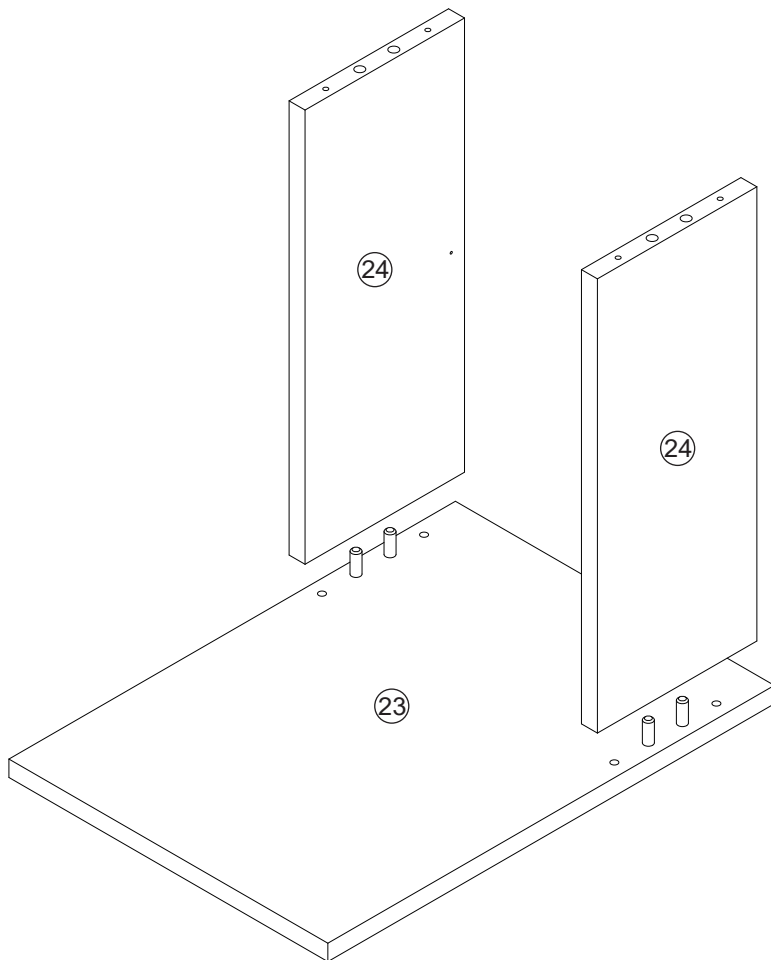
STEP 31



Fittings required

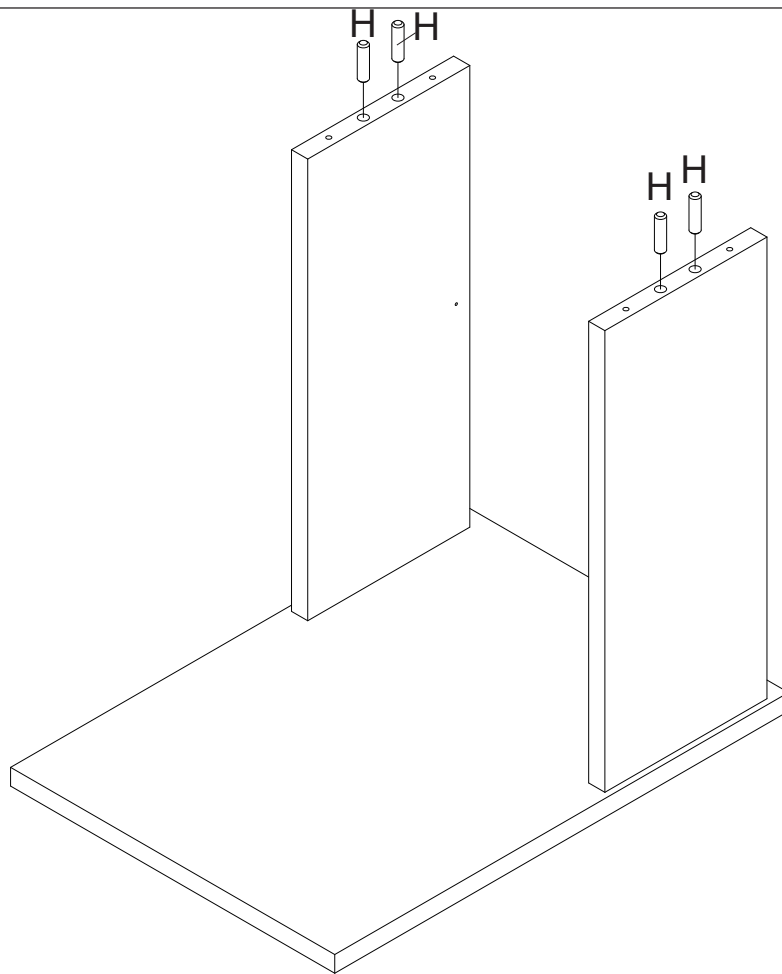
Hx4

STEP 32



EVA DRESSING TABLE & STOOL ASSEMBLY INSTRUCTIONS

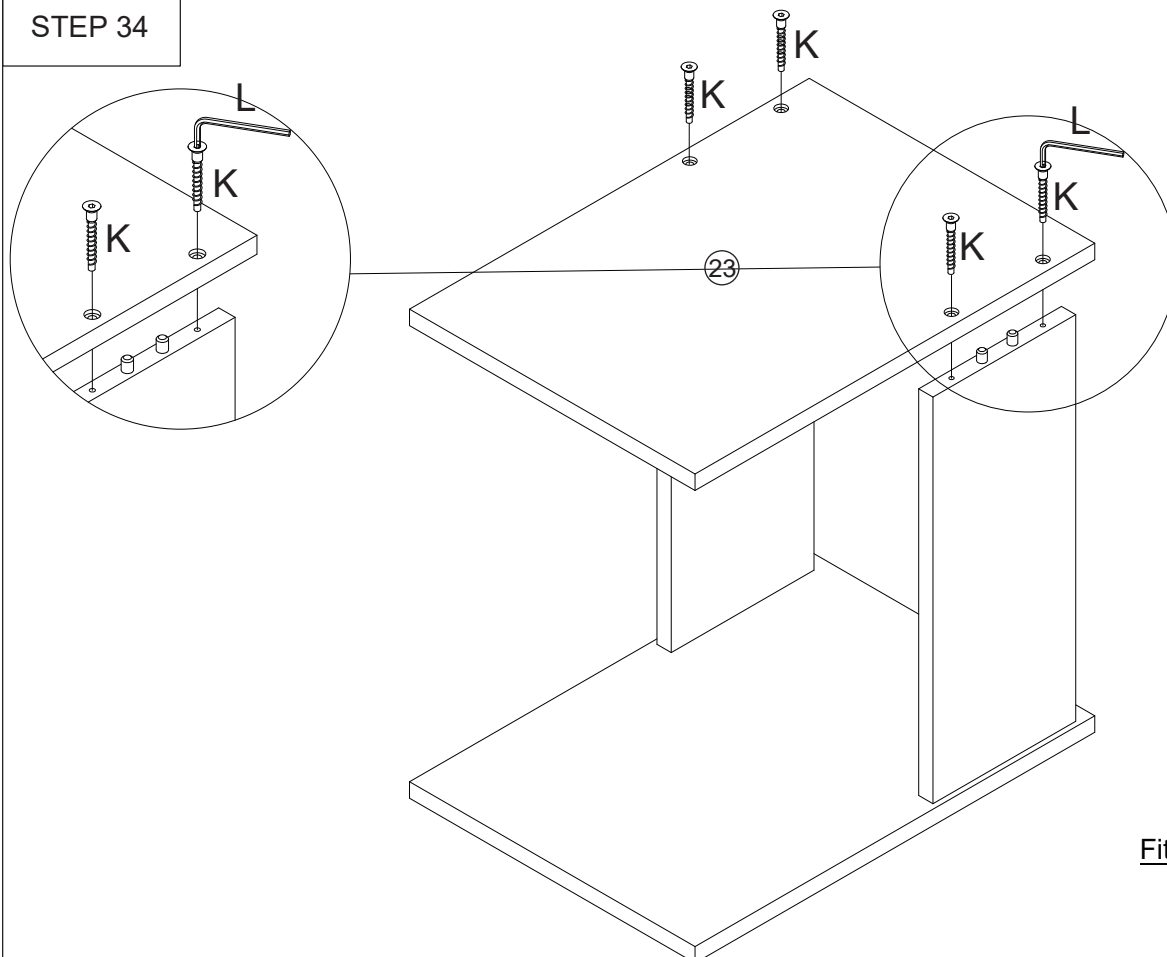
STEP 33



Fittings required

Hx4

STEP 34

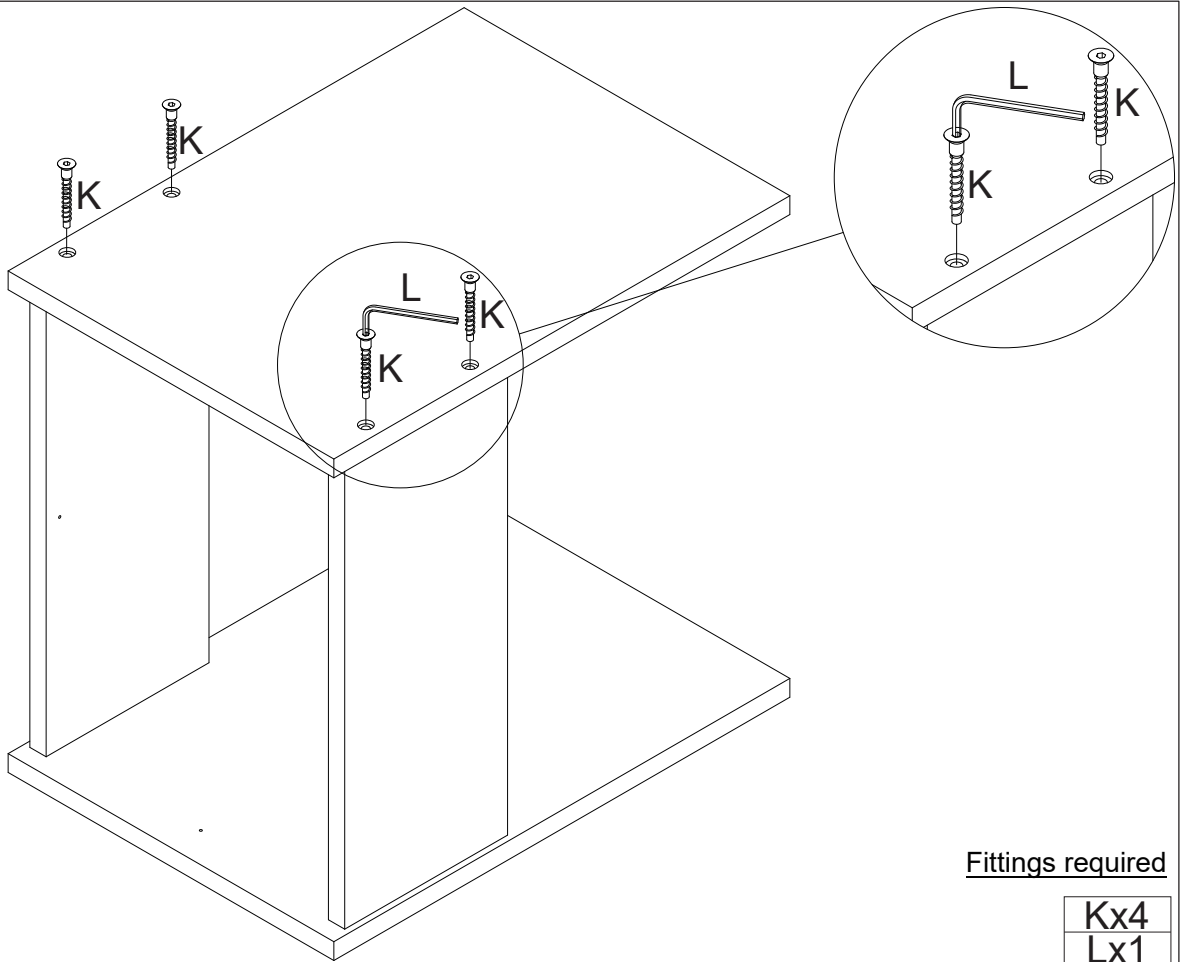


Fittings required

Kx4
Lx1

EVA DRESSING TABLE & STOOL ASSEMBLY INSTRUCTIONS

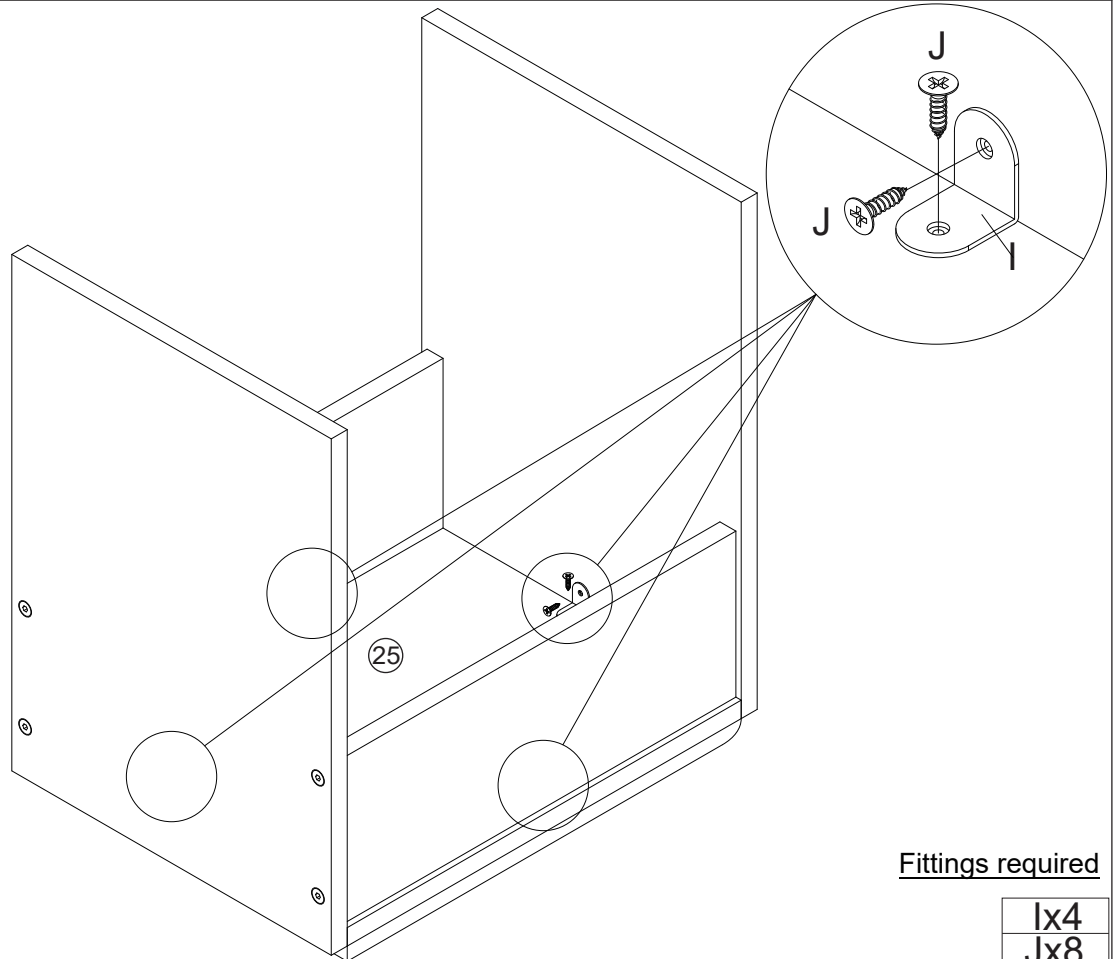
STEP 35



Fittings required

Kx4
Lx1

STEP 36

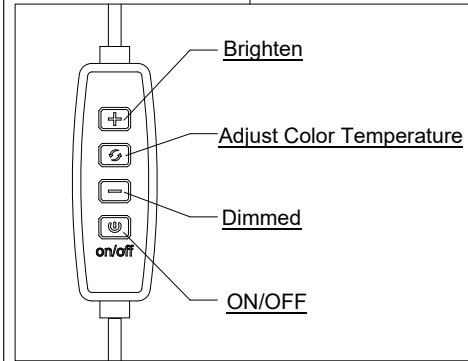
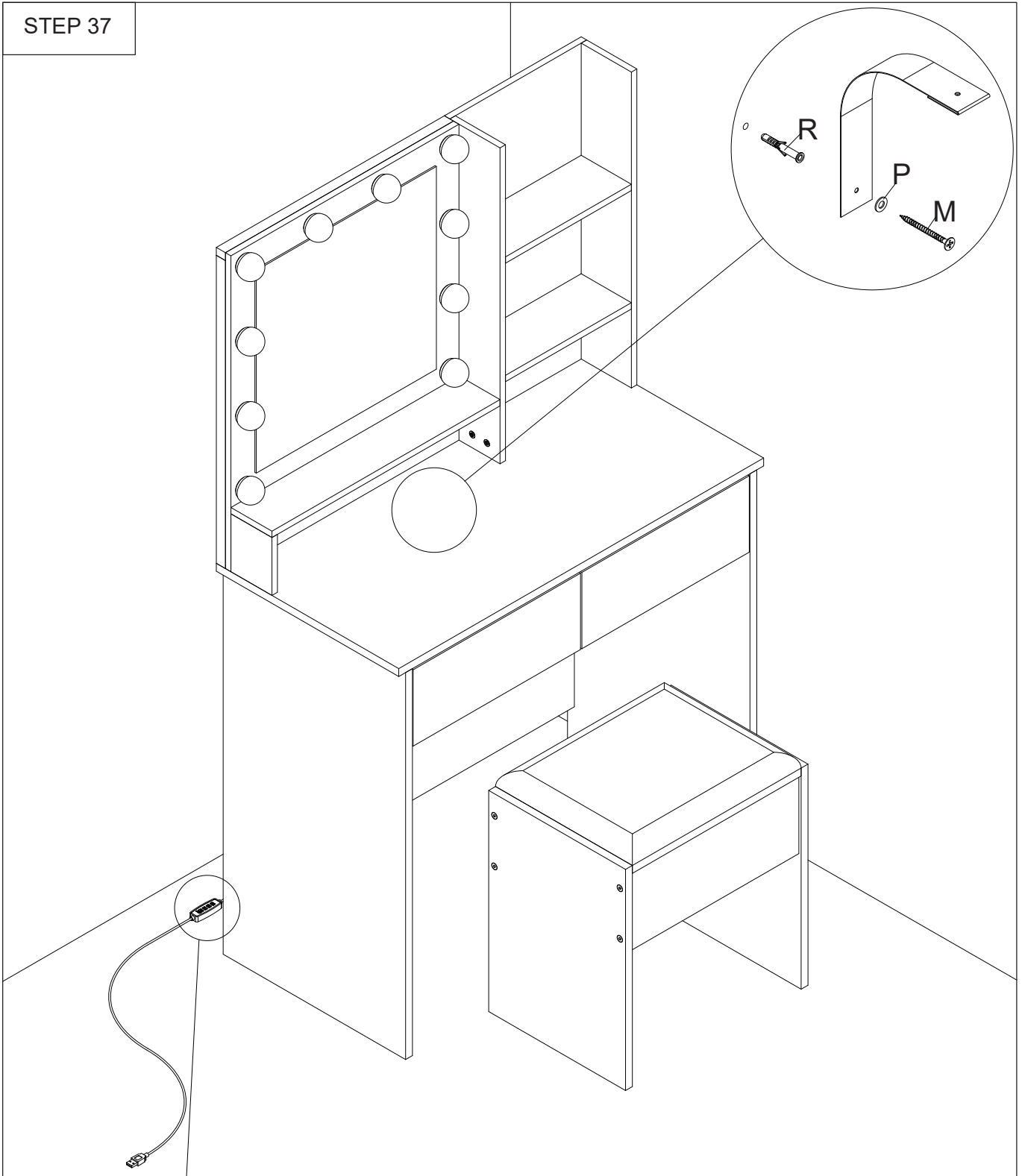
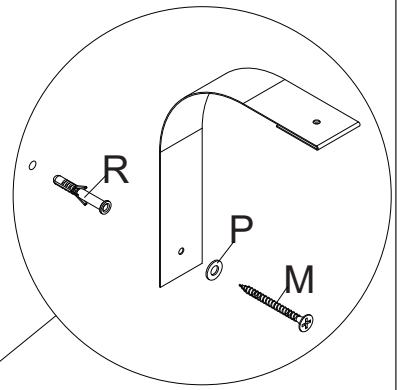


Fittings required

Ix4
Jx8

EVA DRESSING TABLE & STOOL ASSEMBLY INSTRUCTIONS

STEP 37



This LED vanity mirror features 3 LED light colors that can be switched according to needs: natural light, warm light and cold light, and the brightness is adjustable. Get the ideal lighting effect by operating the remote control switch.

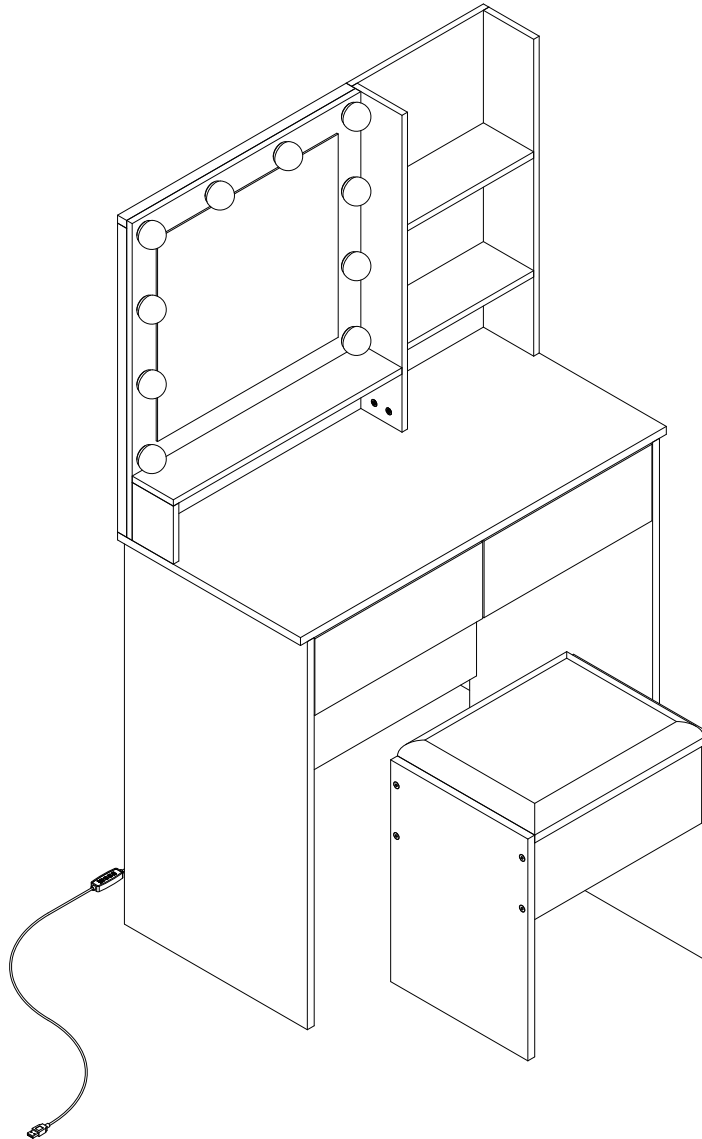
Fittings required

Mx1
Px1
Rx1

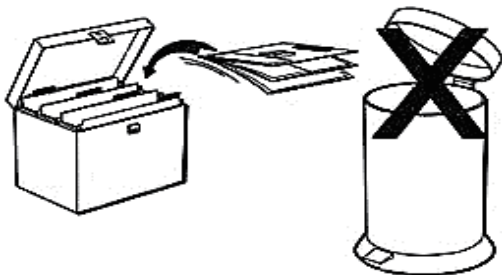
EVA DRESSING TABLE & STOOL ASSEMBLY INSTRUCTIONS

Complete Assembly

Your EVA DRESSING TABLE & STOOL is now completely assembled.
Periodically check to ensure that the components are in their proper position and free from damage.
Also, make sure the connectors are tight and secure.



Keep instructions for future reference.



Supplied by : GFW THE FURNITURE
WAREHOUSE
Waterside Distribution Centre
Waterside Business Park
Johnson Road
Lancashire
BB3 3RT