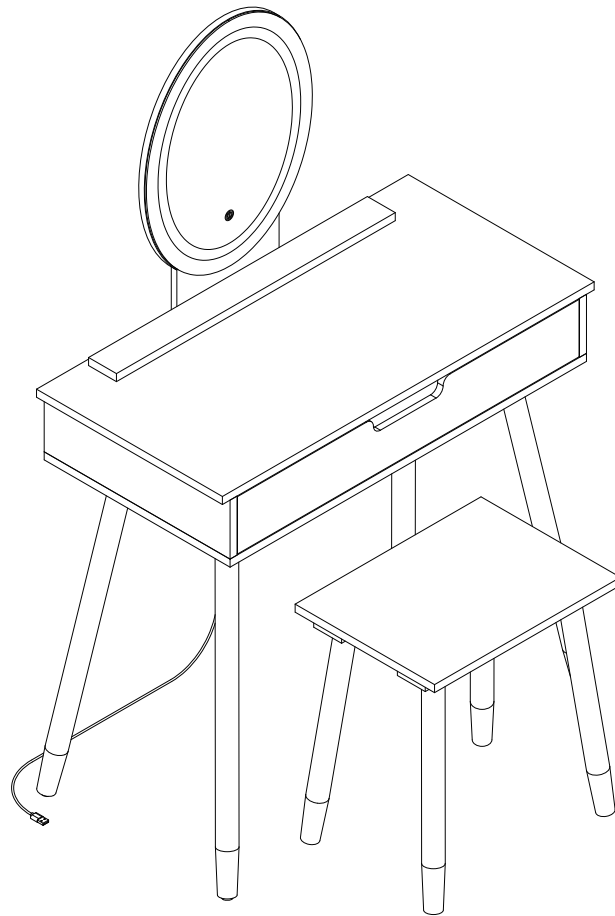


SIGNY DRESSING TABLE & STOOL ASSEMBLY INSTRUCTIONS

Thank you for purchasing the SIGNY DRESSING TABLE & STOOL. Please read the instructions carefully to ensure safe operation of the product.



Size: Dressing table:L80xW40xH124cm

Stool: L40xW30xH45cm

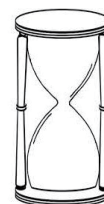
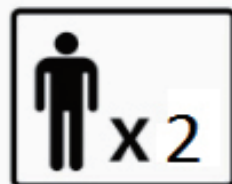
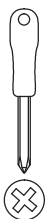
Colour:WHITE

PLEASE READ this sheet prior to assembly to familiarise yourself with the various stages of construction.

Carefully open the pack supplied and check the contents against the parts and fittings check list. Do not destroy any of the packaging until you are certain that you have all the necessary parts for the assembly.

CAUTION: There are small components used in the construction of this unit. These loose items should be kept away from young children whilst assembling your unit to avoid the danger of choking hazards.

Tools Required



1 Hour
Set Up

SIGNY DRESSING TABLE & STOOL ASSEMBLY INSTRUCTIONS

IMPORTANT - READ CAREFULLY - RETAIN THESE INSTRUCTIONS FOR FUTURE REFERENCE.

INFORMATION

Due to the size of this product we recommend that it is assembled in the room intended for use.
When you are ready to start, make sure that you have the right tools, plenty of space and a clean, dry area for assembly.
Unwrap all packaging materials and place the components on top of the carton box or on a clean floor to prevent it from scratching.
Check the pack and make sure you have all the parts listed.
Ensure that this product is fully assembled as illustrated before use.
Check all screws or bolts are tightened and inspect regularly
This product should only be used on firm, level ground.
Keep small parts out of reach of children.
Make sure the legs remain in contact with the ground.
Tools not included.

WARNINGS

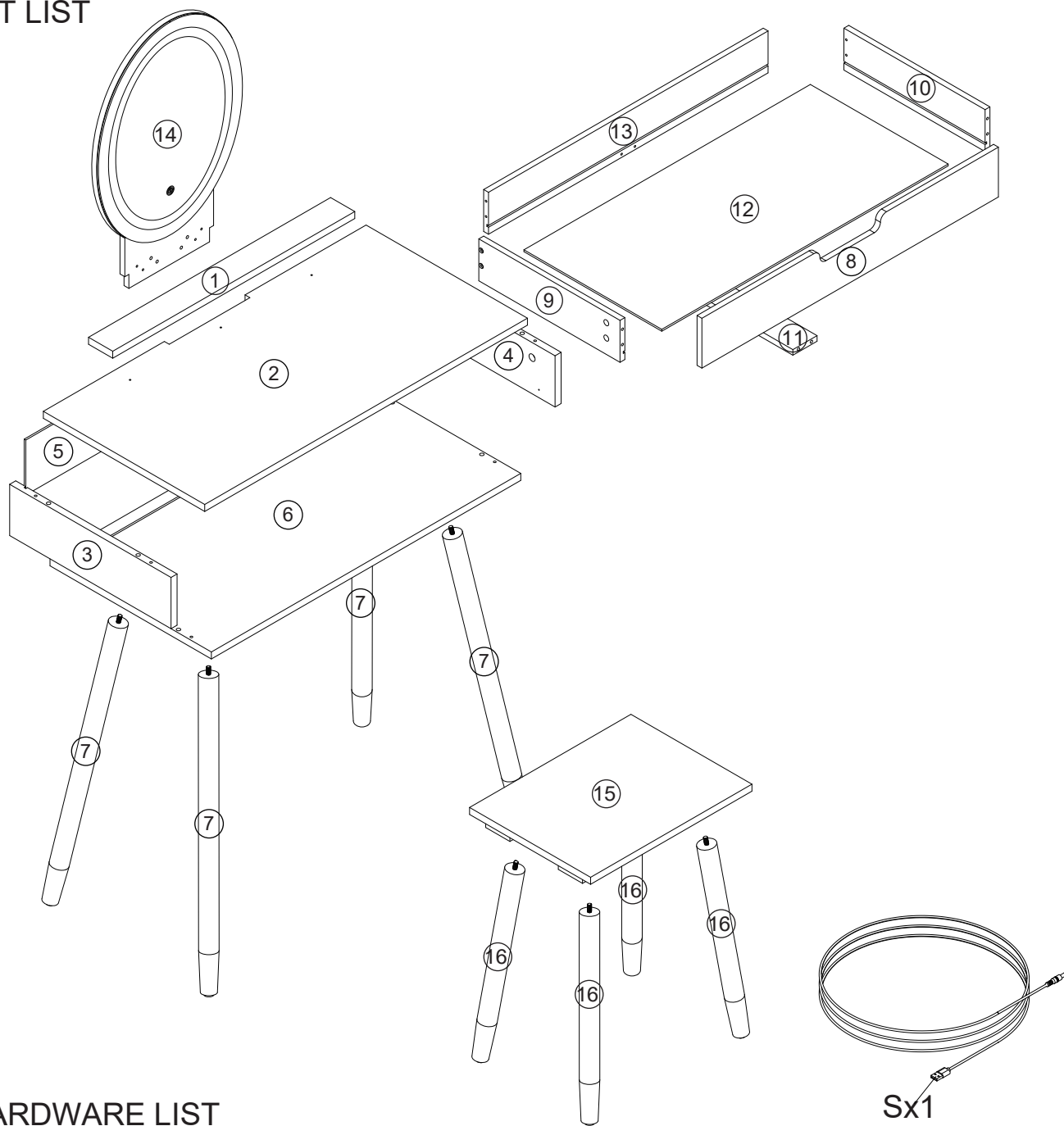
DO NOT use power tools to construct this product.
DO NOT use this product if parts are missing, damaged or worn.
DO NOT stand on the product.
DO NOT place very hot or very cold items on the surface unless adequately thick tablemats are used to prevent such items damaging your dresser top
If a glass component is chipped or broken, stop using the product and consult the manufacturer or supplier
We recommend the use of the wall strap provided for safety reasons. If in doubt please consult a qualified tradesperson.
Always ensure the area to be drilled is free from hidden electrical wires, water and gas pipes.

CARE INFORMATION


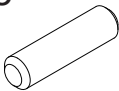
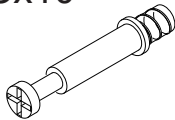
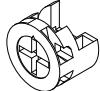
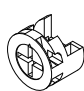
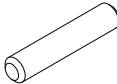
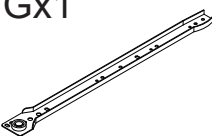
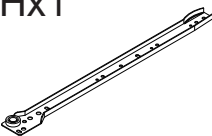
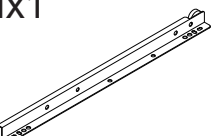
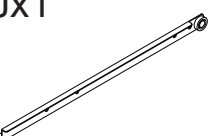

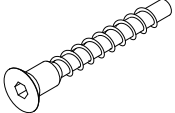
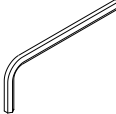
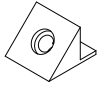


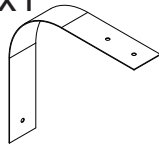
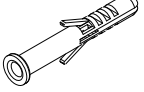
Never use scourers, abrasives or chemical cleaners.
To clean wipe with a sponge and warm soapy water. Do not use solvent based cleaners or detergents as they can bleach or damage the product.
When cleaning glass panels or mirrors use a damp cloth with washing up liquid or soft soap if necessary;
Do not use washing powders or any other substances containing abrasives, as these may scratch the glass

SIGNY DRESSING TABLE & STOOL ASSEMBLY INSTRUCTIONS

PART LIST

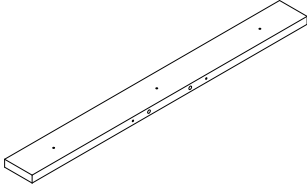
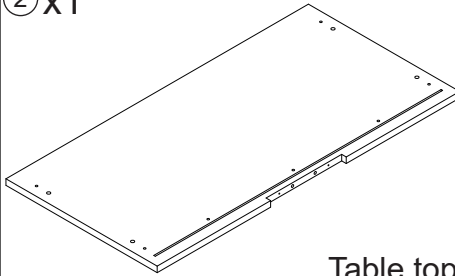
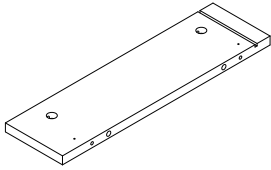
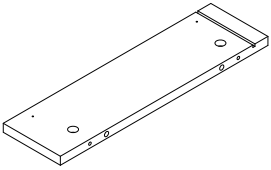
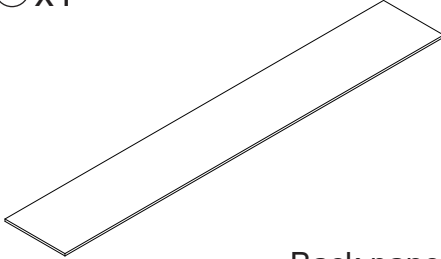
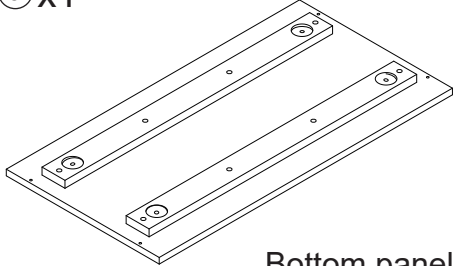
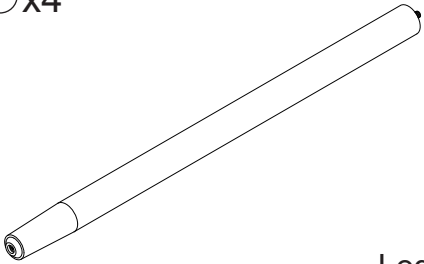
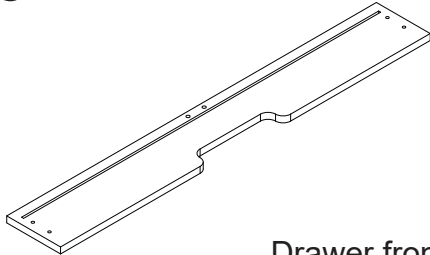
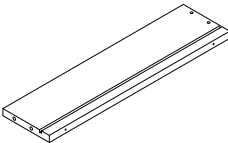
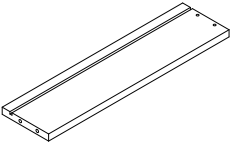
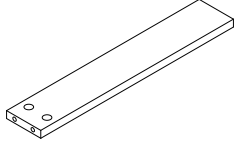
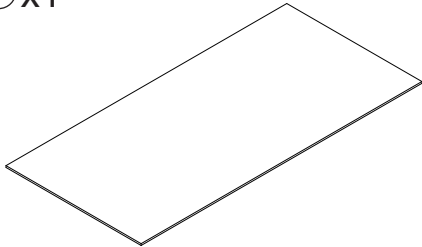
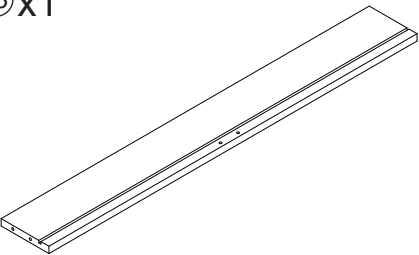
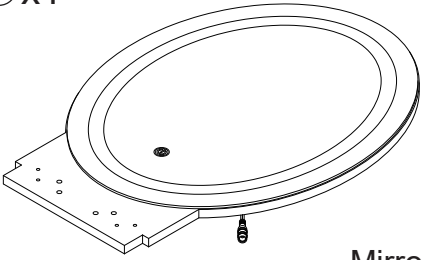
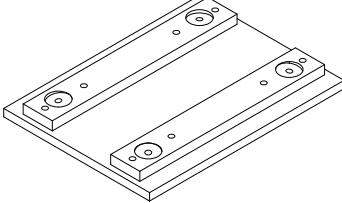
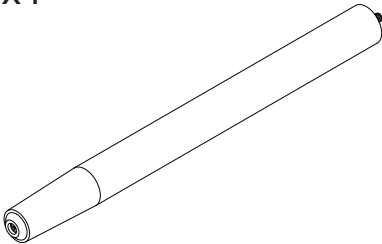
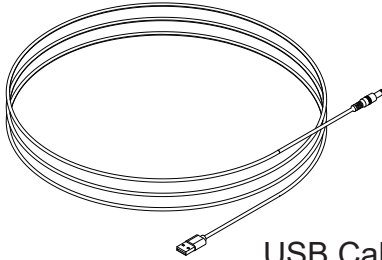


HARDWARE LIST

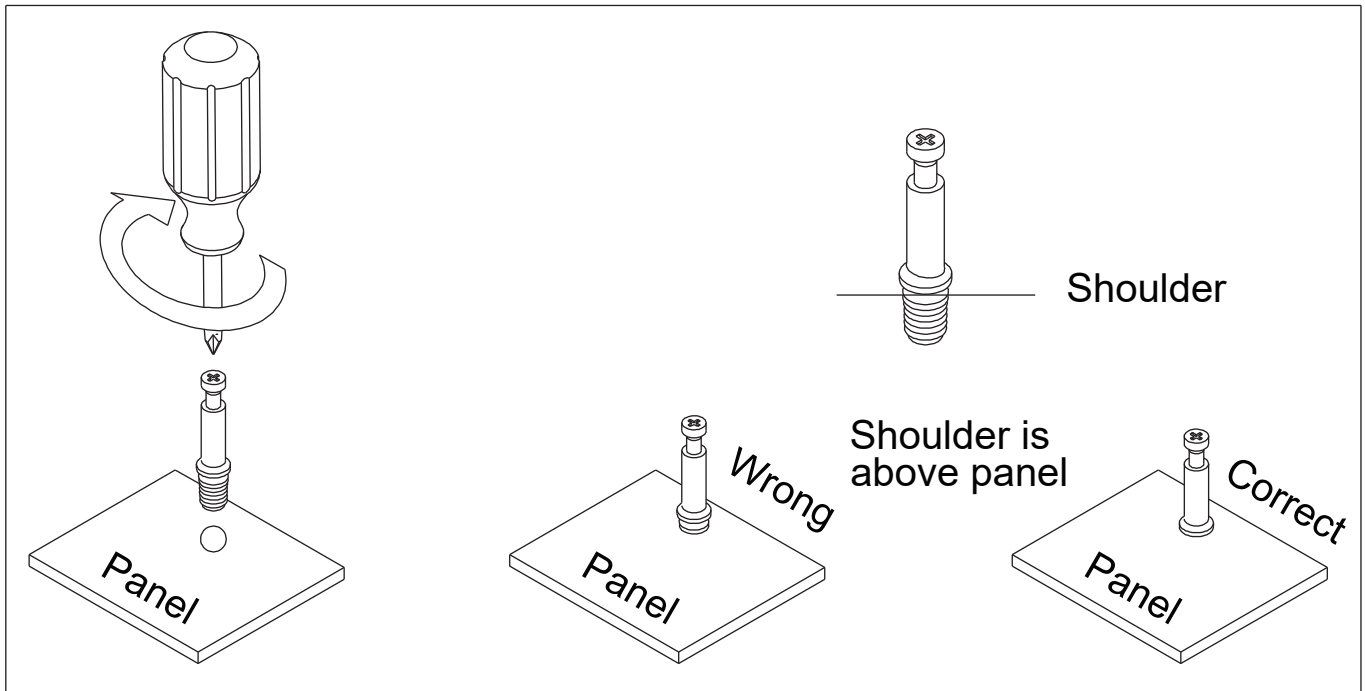
Ax14  M4x30mm	Bx8  M8x30mm	Cx10  M3x14mm	Dx4  M15x11mm	Ex6  M12x10mm	Fx4  M6x30mm
Gx1 	Hx1 	Ix1 	Jx1 	Kx9  M3x12mm	Lx4 
Mx1 	Nx6 	Ox6  M3x14mm	Px2 	Qx1 	Rx1 

SIGNY DRESSING TABLE & STOOL ASSEMBLY INSTRUCTIONS

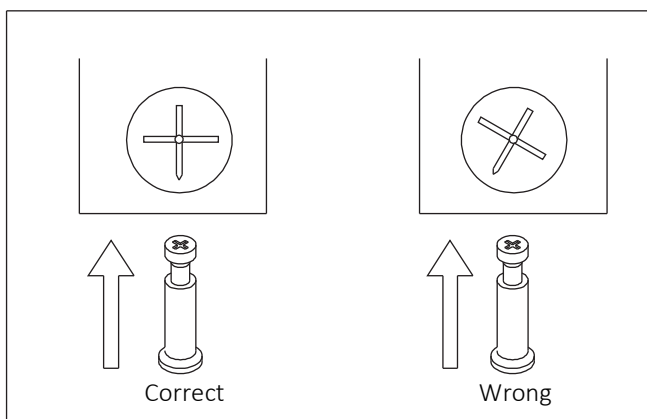
PART LIST

<p>① x1</p>  <p>Support rail</p>	<p>② x1</p>  <p>Table top</p>	<p>③ x1</p>  <p>LH side panel</p>
<p>④ x1</p>  <p>RH side panel</p>	<p>⑤ x1</p>  <p>Back panel</p>	<p>⑥ x1</p>  <p>Bottom panel</p>
<p>⑦ x4</p>  <p>Leg</p>	<p>⑧ x1</p>  <p>Drawer front</p>	<p>⑨ x1</p>  <p>LH Drawer side</p>
<p>⑩ x1</p>  <p>RH Drawer side</p>	<p>⑪ x1</p>  <p>Drawer support rail</p>	<p>⑫ x1</p>  <p>Drawer bottom</p>
<p>⑬ x1</p>  <p>Drawer back</p>	<p>⑭ x1</p>  <p>Mirror</p>	<p>⑮ x1</p>  <p>Stool top</p>
<p>⑯ x4</p>  <p>Stool leg</p>	<p>Sx1</p>  <p>USB Cable</p>	

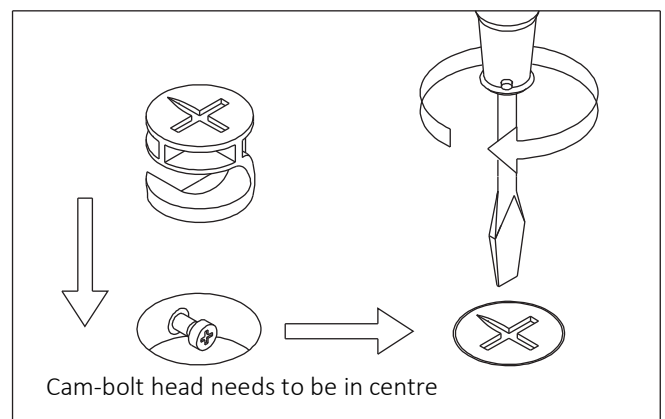
Instructions For Fastening CAM-BOLT AND CAM-LOCK



Attach the Cam-bolt to the specific pre-drilled holes on the panel. Use a Phillips Screwdriver to tighten Cam-bolt vertically until shoulder is flush (on the same level) with panel. Do not over-tighten or under-tighten.



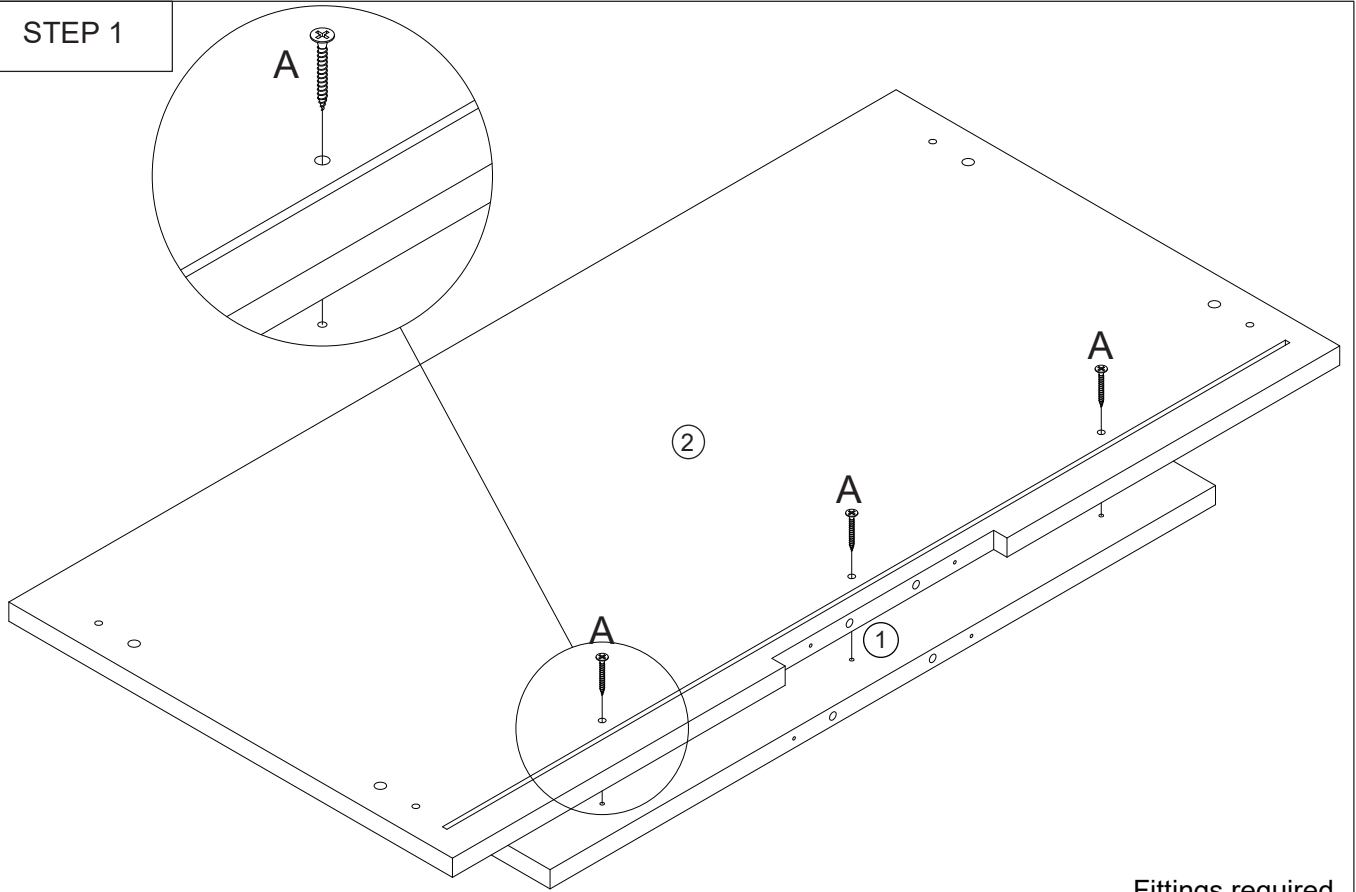
Align the arrow of the Cam-lock to the Cam-bolt head and insert the Cam-lock.



Use a Flat Screwdriver or Phillips Screwdriver to turn the Cam-lock clockwise one half a turn so it locks onto the head of the Cam-lock. Turn only until it is snug. Over-tightening could damage Cam-lock or/and Cam-bolt.

SIGNY DRESSING TABLE & STOOL ASSEMBLY INSTRUCTIONS

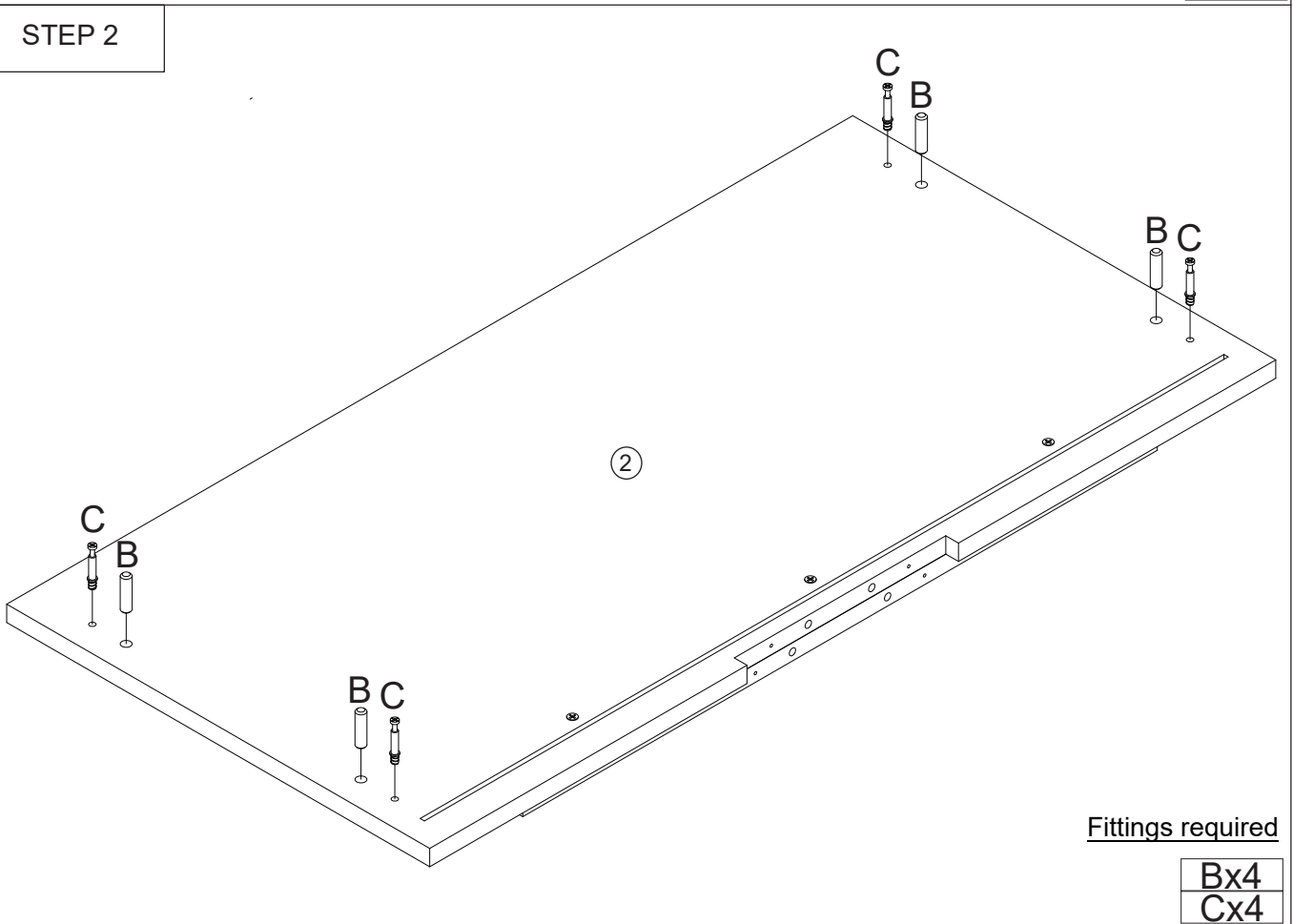
STEP 1



Fittings required

Ax3

STEP 2

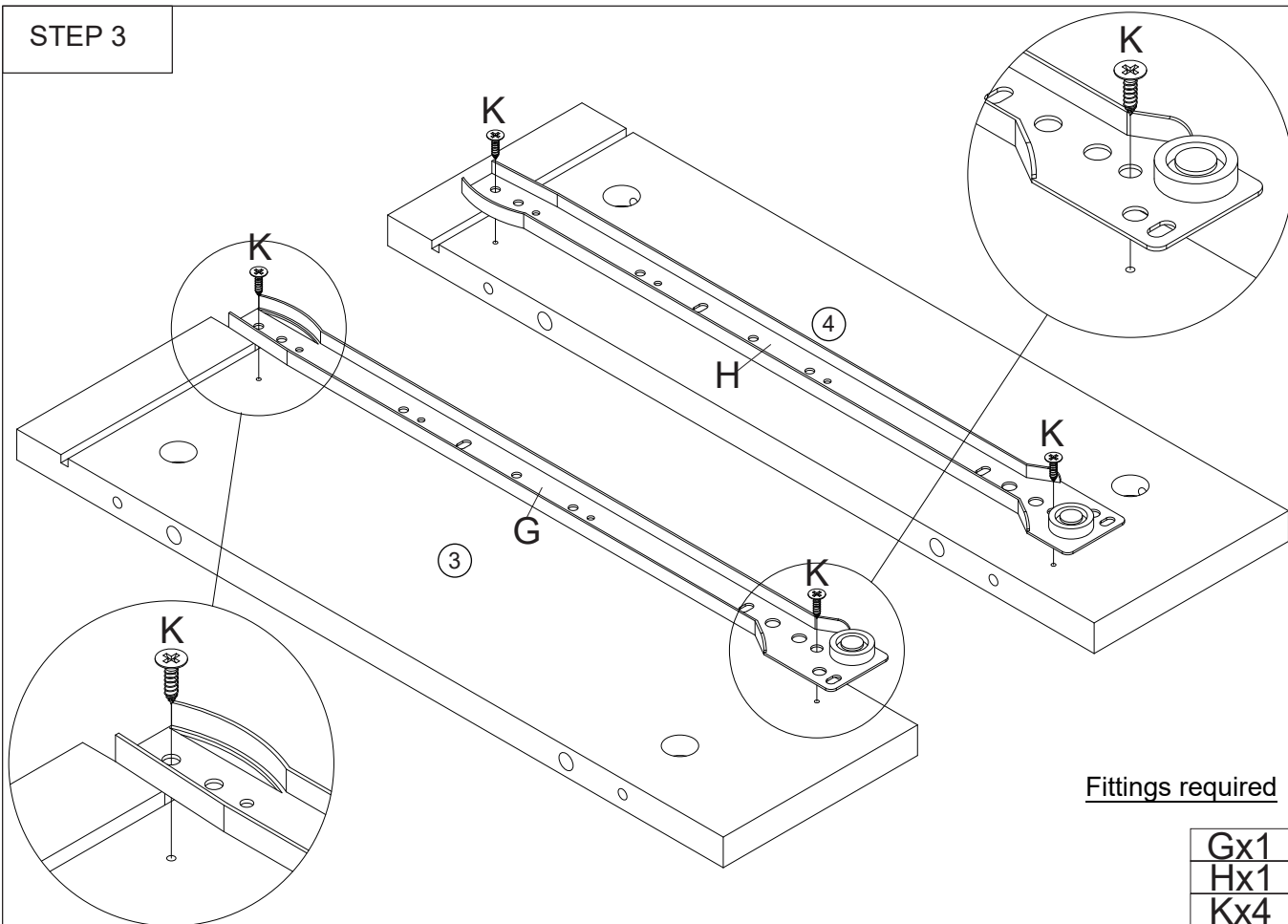


Fittings required

Bx4
Cx4

SIGNY DRESSING TABLE & STOOL ASSEMBLY INSTRUCTIONS

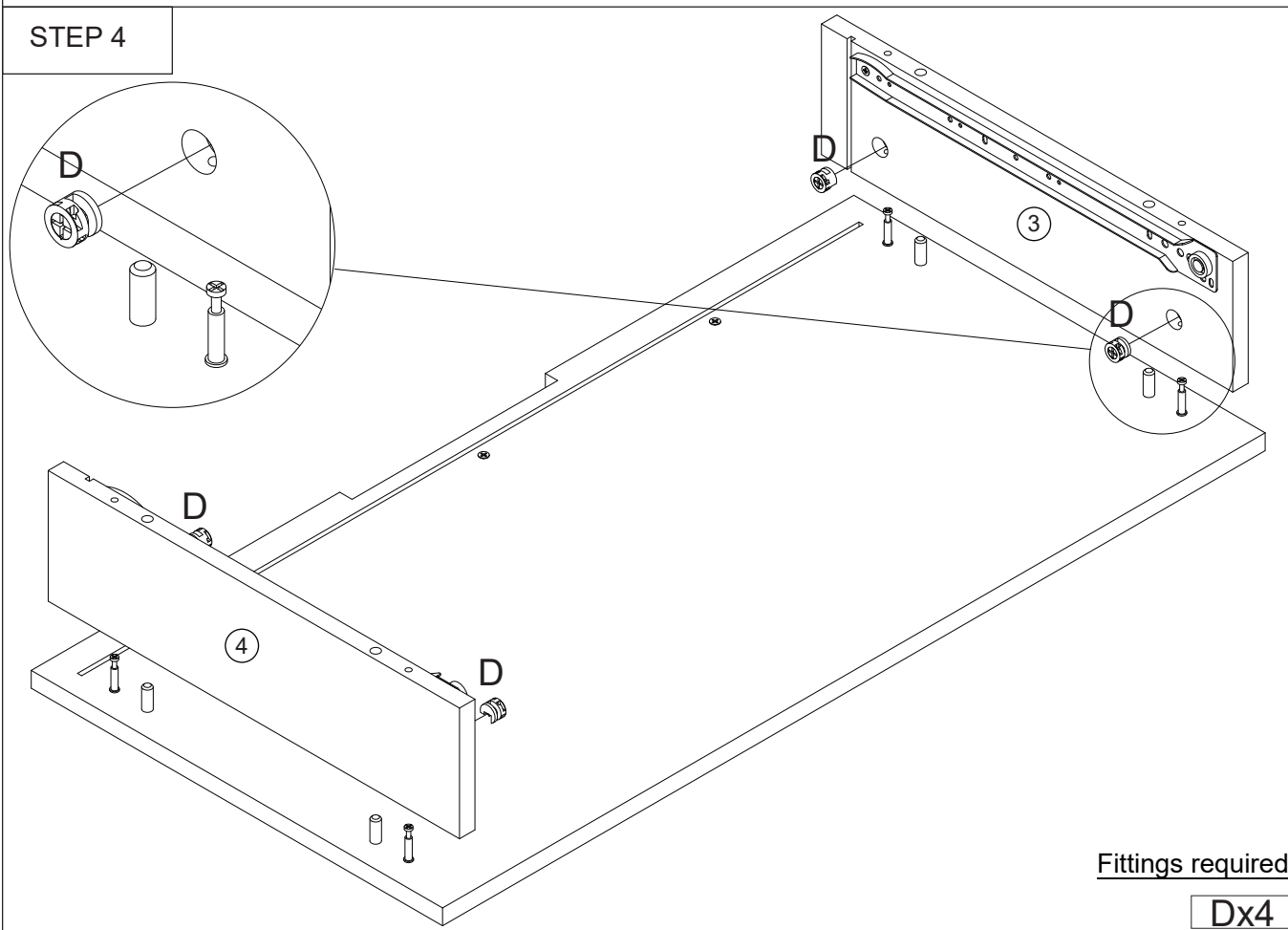
STEP 3



Fittings required

Gx1
Hx1
Kx4

STEP 4

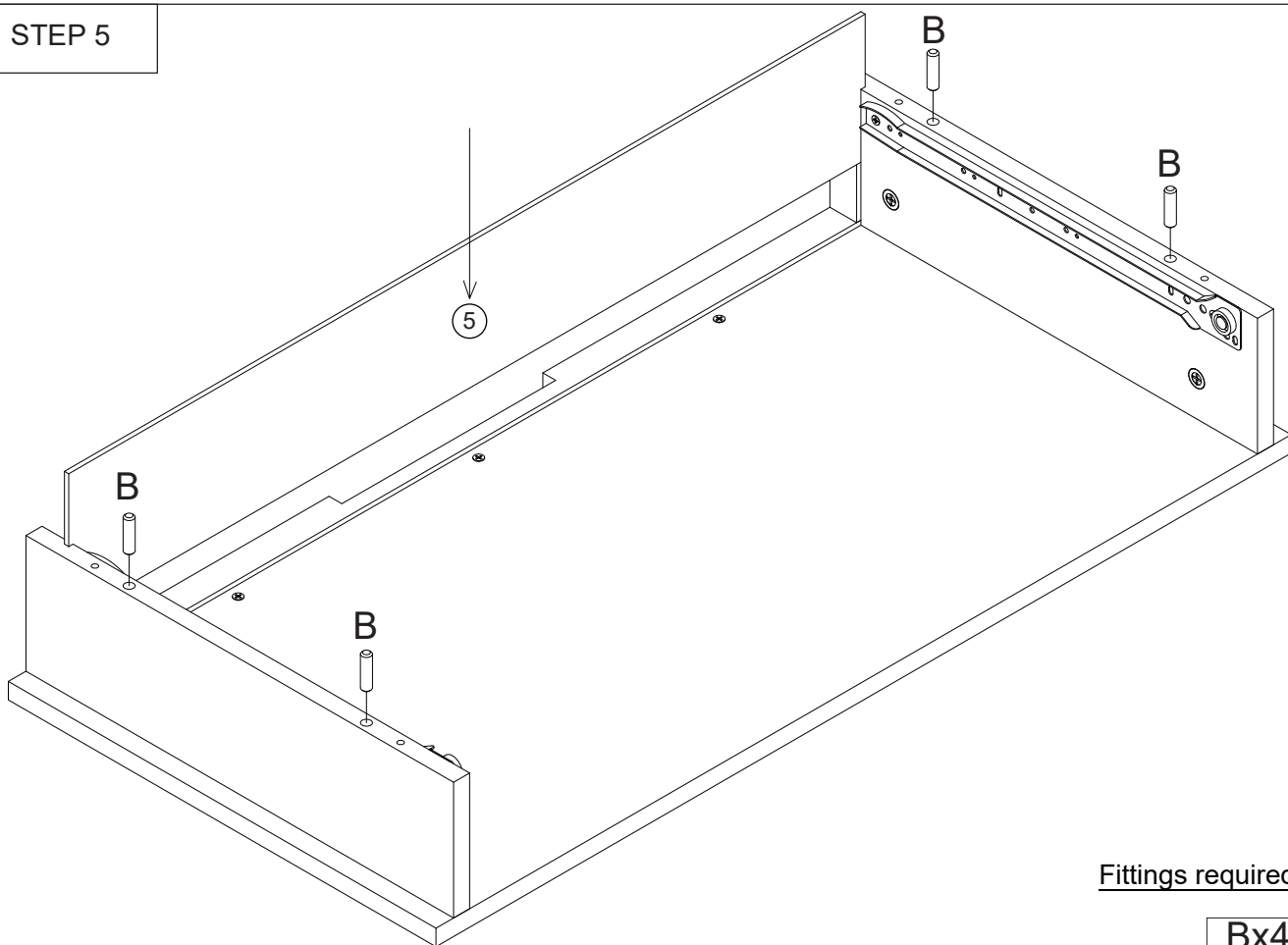


Fittings required

Dx4

SIGNY DRESSING TABLE & STOOL ASSEMBLY INSTRUCTIONS

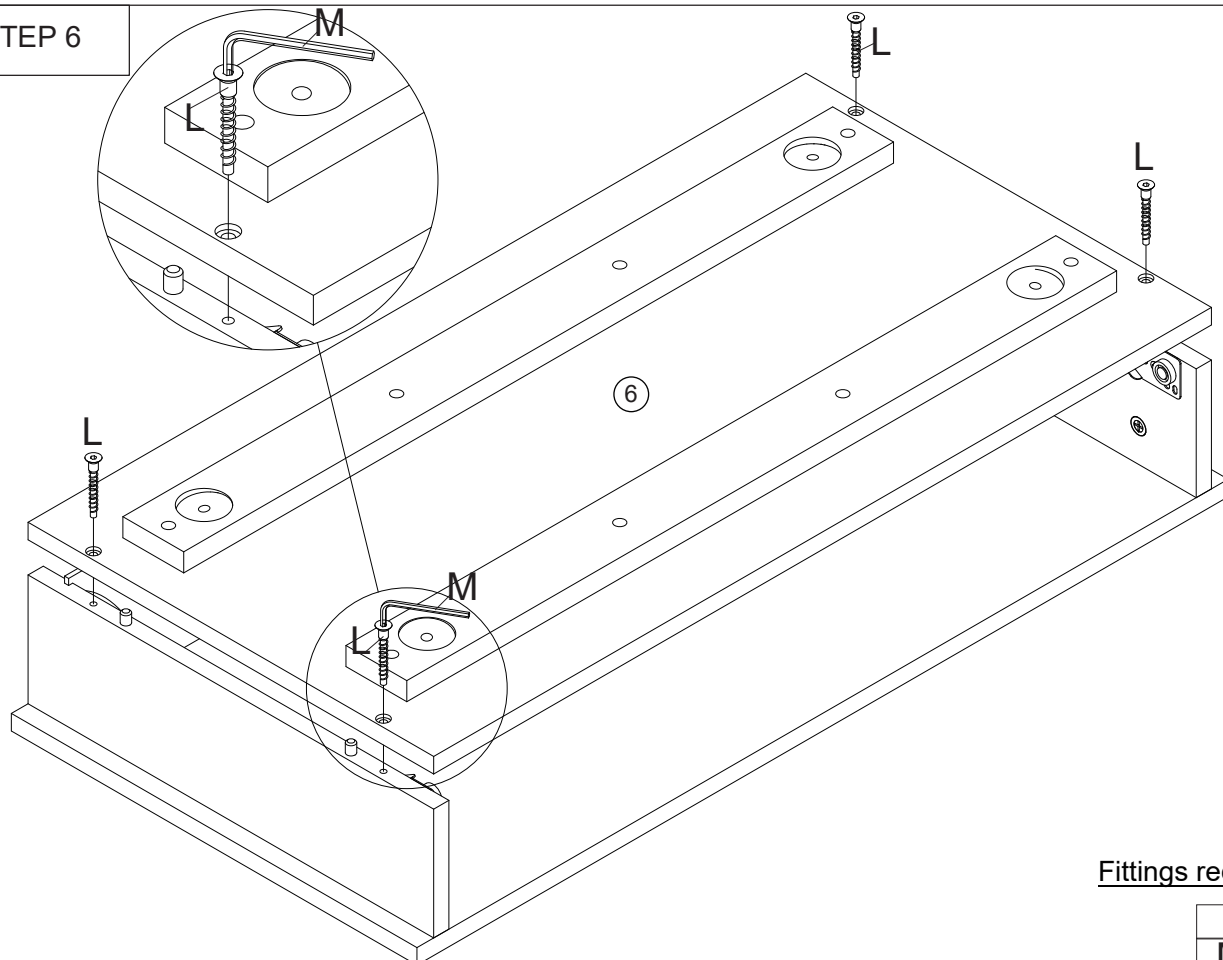
STEP 5



Fittings required

Bx4

STEP 6

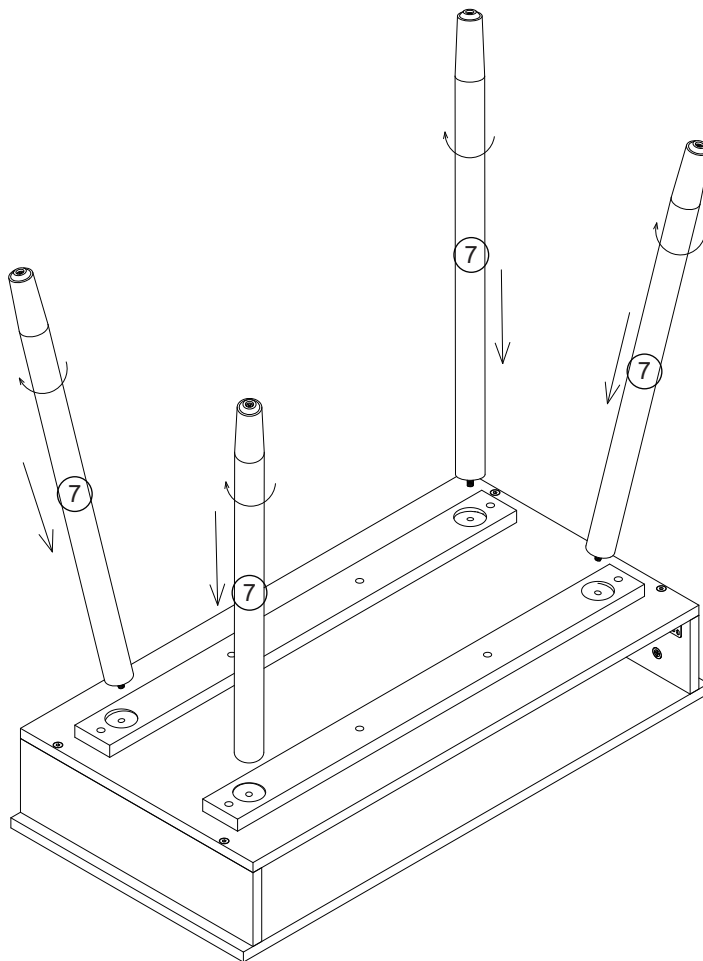


Fittings required

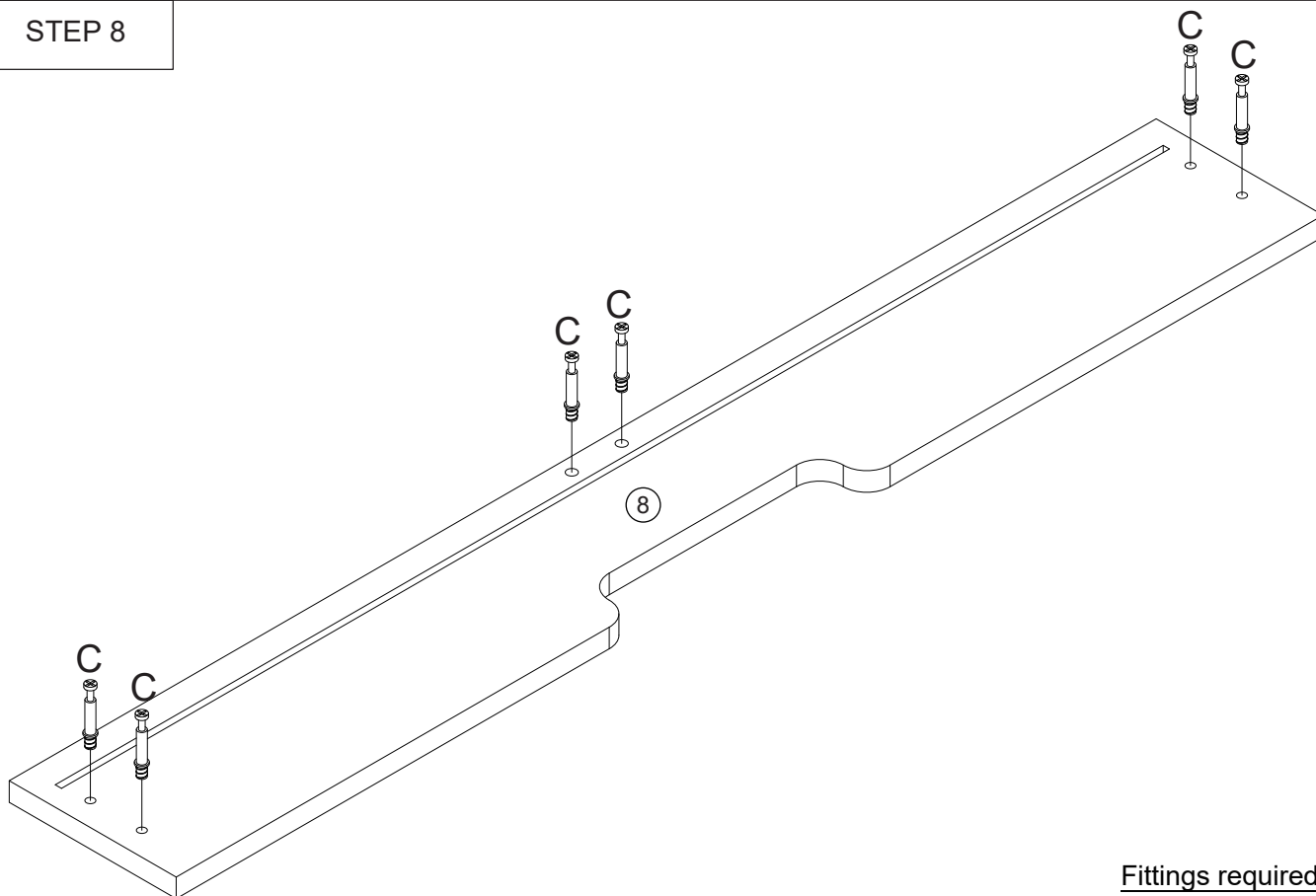
Lx4
Mx1

SIGNY DRESSING TABLE & STOOL ASSEMBLY INSTRUCTIONS

STEP 7



STEP 8

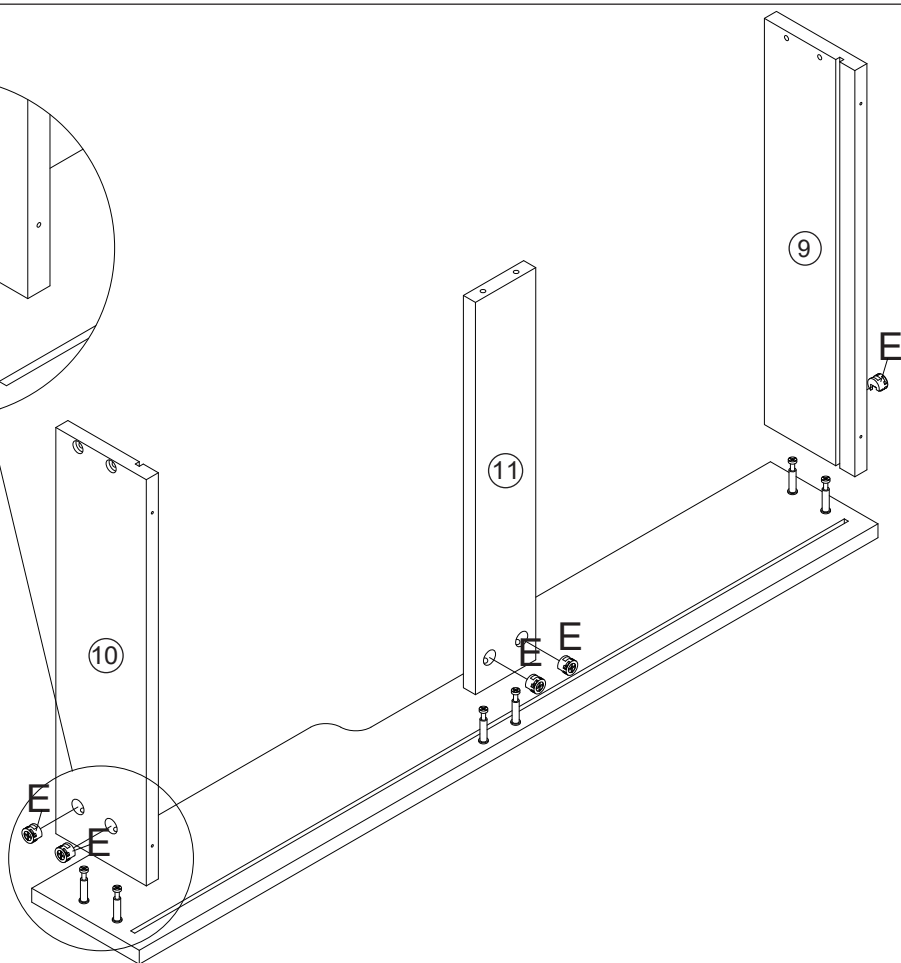
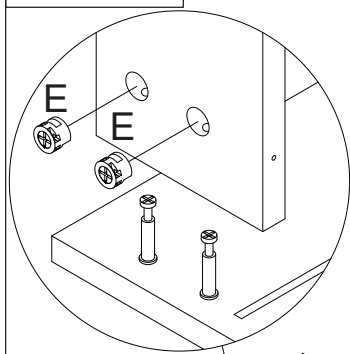


Fittings required

Cx6

SIGNY DRESSING TABLE & STOOL ASSEMBLY INSTRUCTIONS

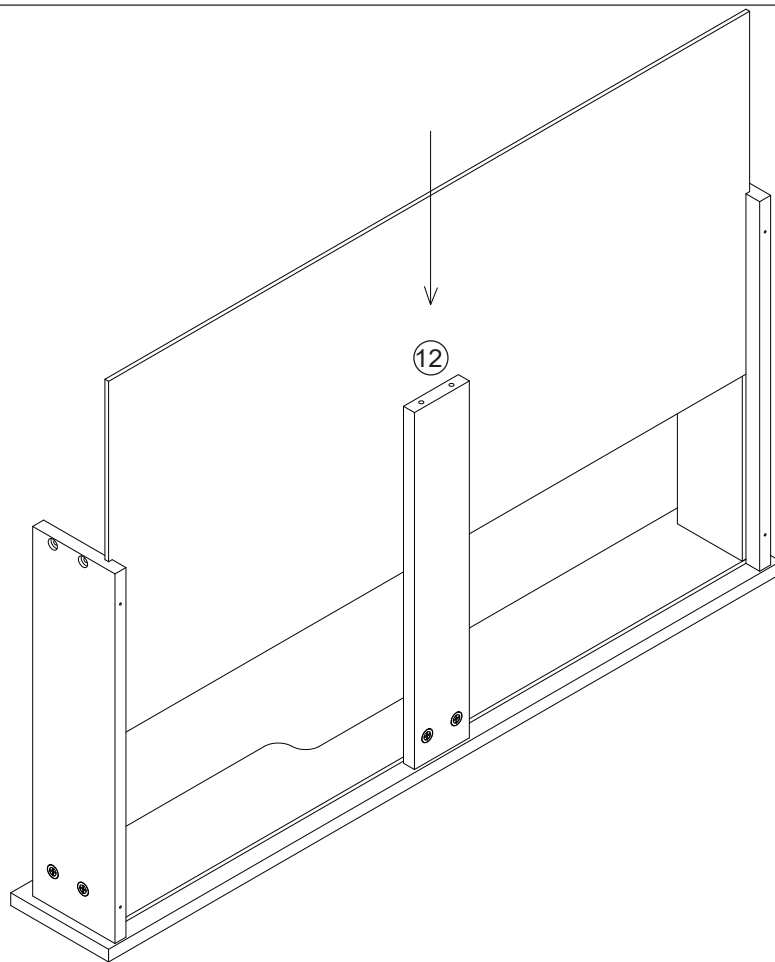
STEP 9



Fittings required

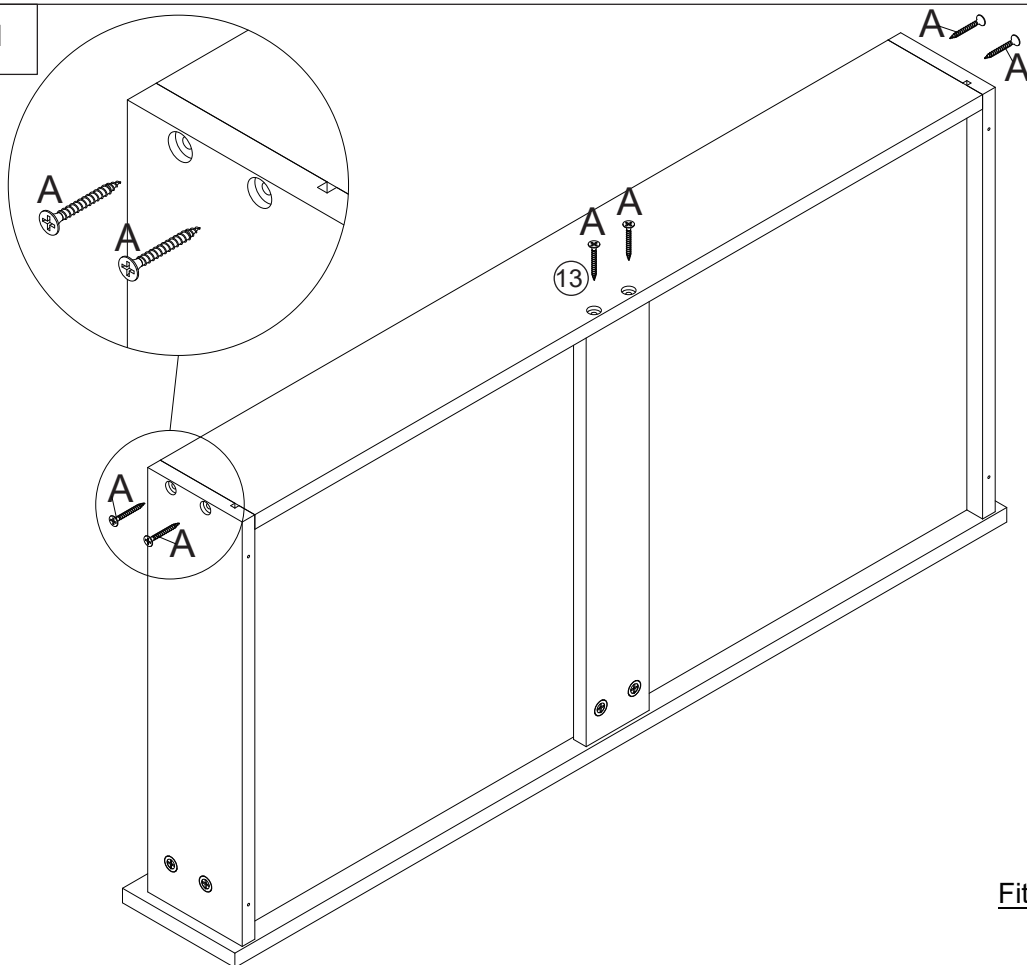
Ex6

STEP 10



SIGNY DRESSING TABLE & STOOL ASSEMBLY INSTRUCTIONS

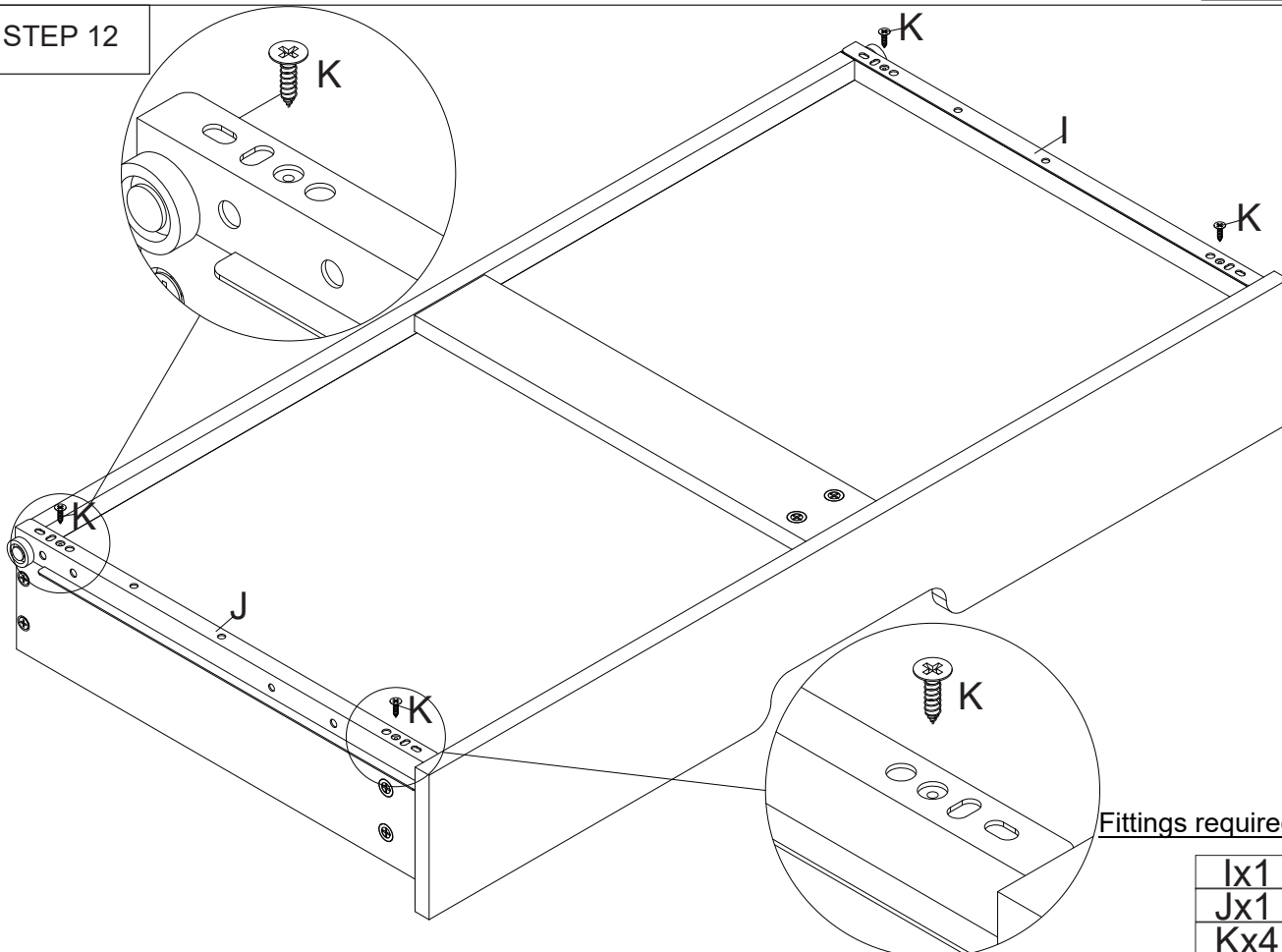
STEP 11



Fittings required

Ax6

STEP 12

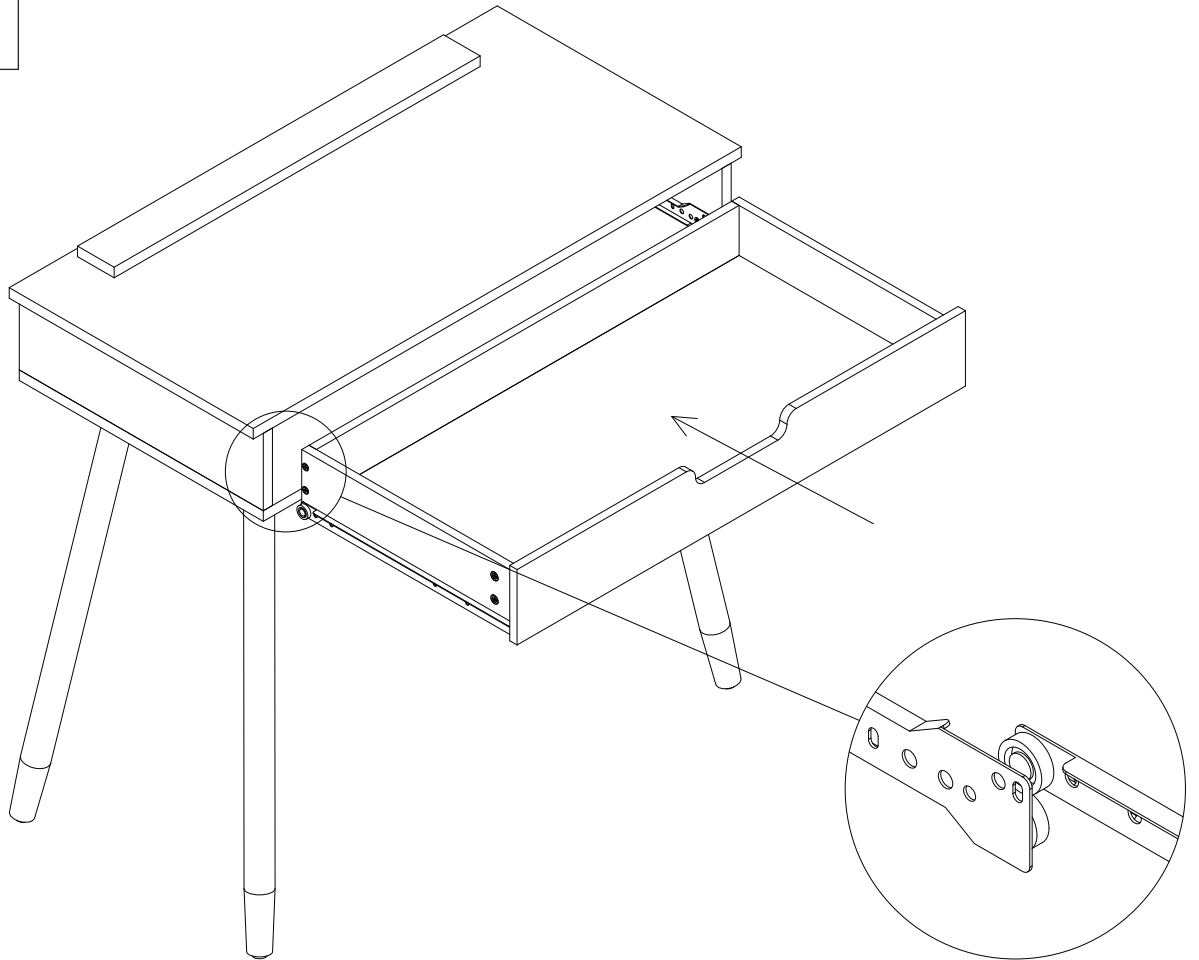


Fittings required

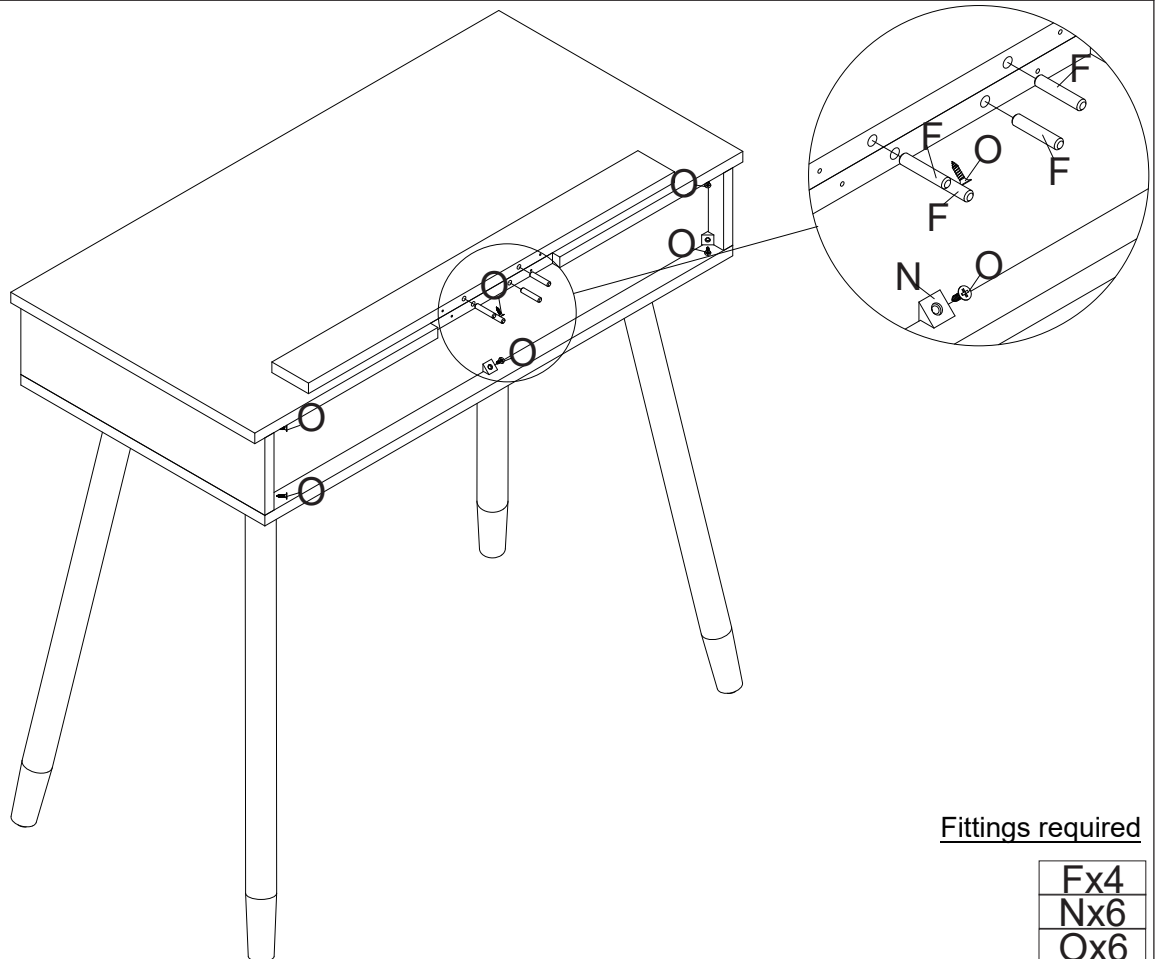
Ix1
Jx1
Kx4

SIGNY DRESSING TABLE & STOOL ASSEMBLY INSTRUCTIONS

STEP 13



STEP 14

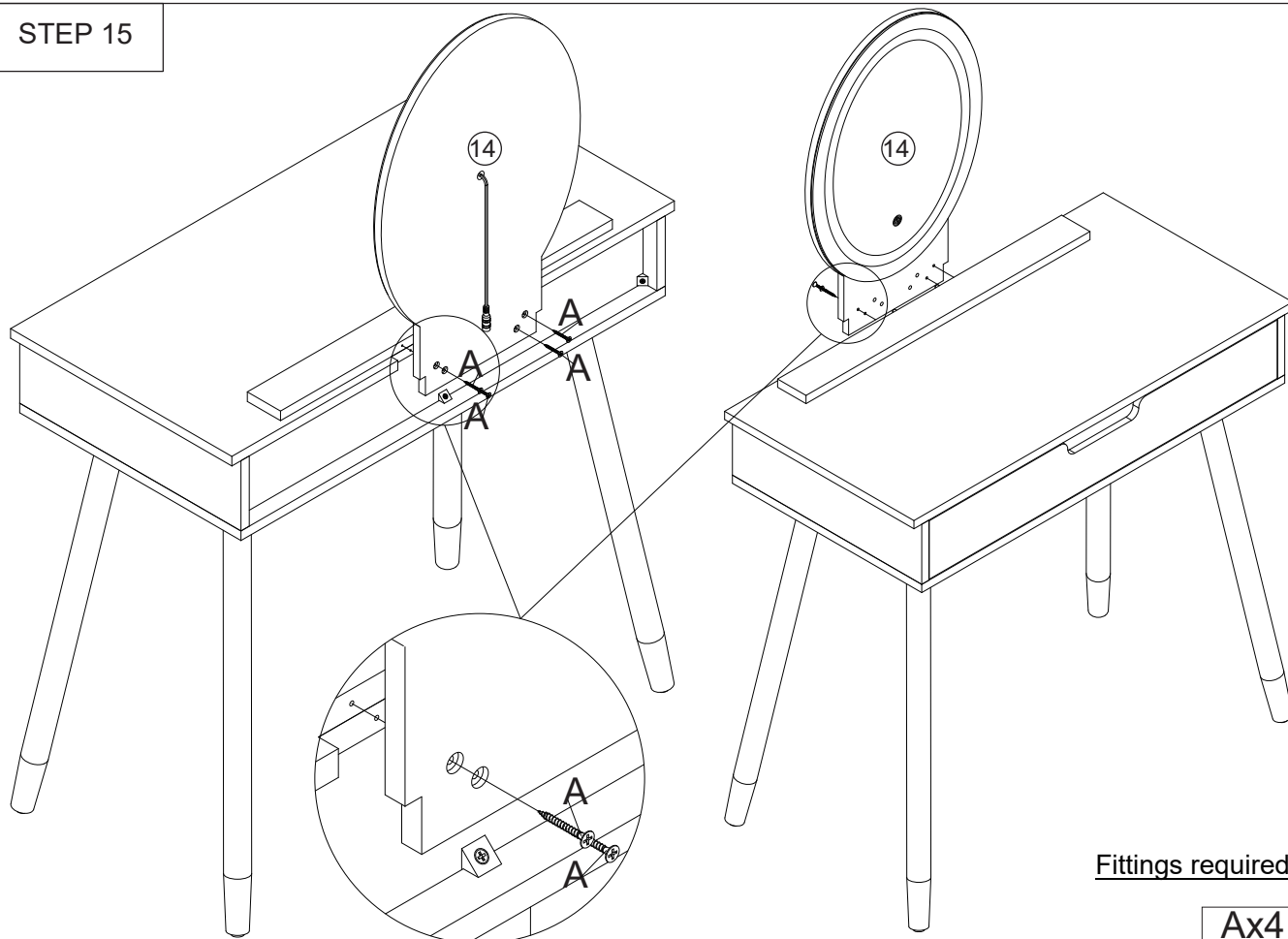


Fittings required

Fx4
Nx6
Ox6

SIGNY DRESSING TABLE & STOOL ASSEMBLY INSTRUCTIONS

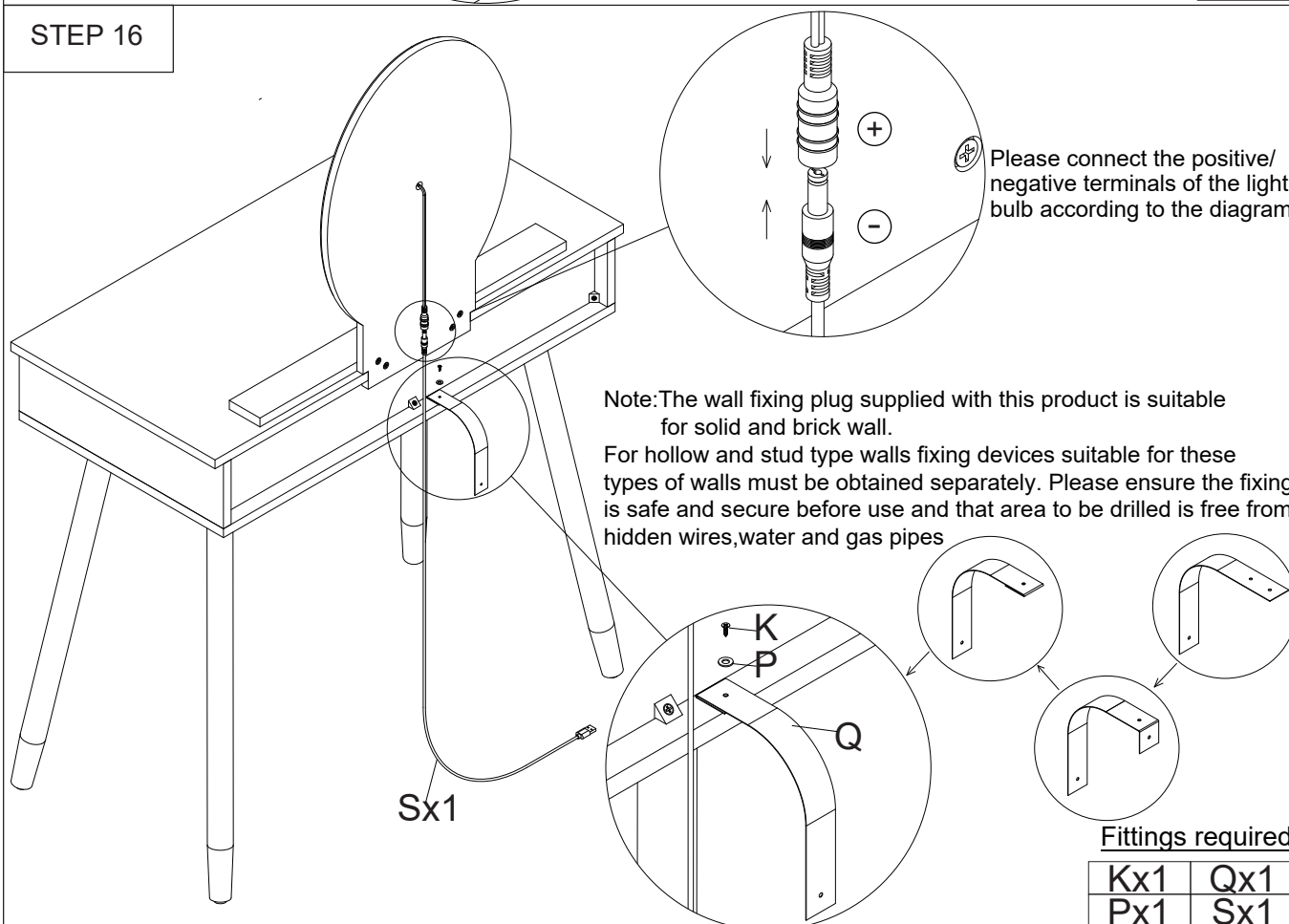
STEP 15



Fittings required

Ax4

STEP 16



Please connect the positive/negative terminals of the light bulb according to the diagram.

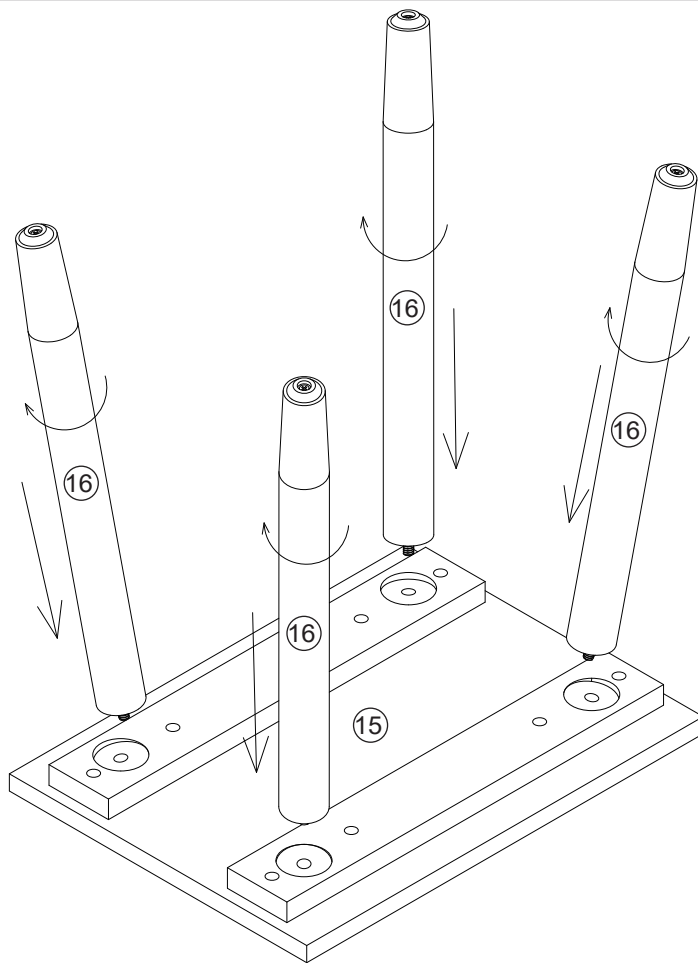
Note: The wall fixing plug supplied with this product is suitable for solid and brick wall. For hollow and stud type walls fixing devices suitable for these types of walls must be obtained separately. Please ensure the fixing is safe and secure before use and that area to be drilled is free from hidden wires, water and gas pipes

Fittings required

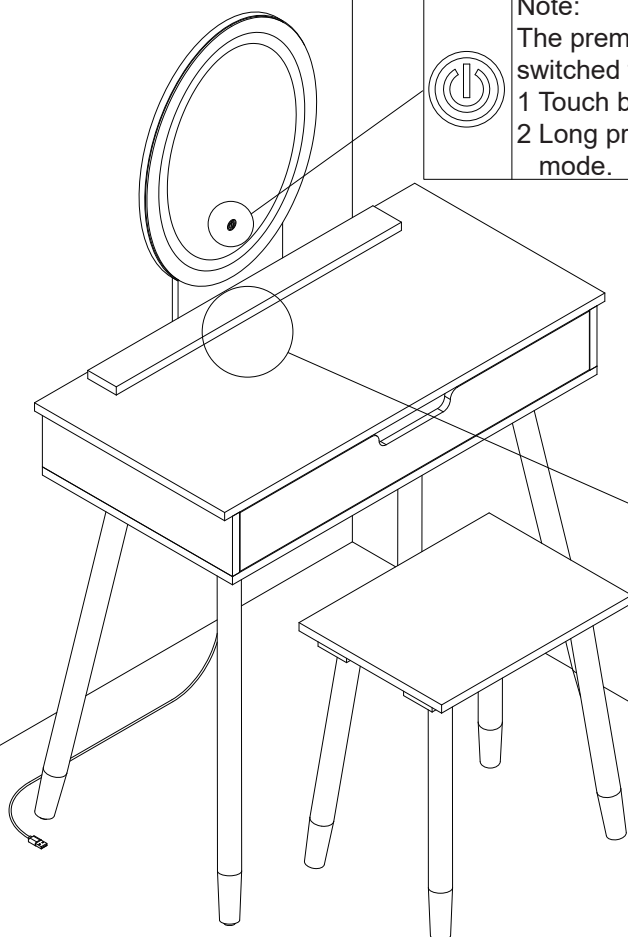
Kx1	Qx1
Px1	Sx1

SIGNY DRESSING TABLE & STOOL ASSEMBLY INSTRUCTIONS

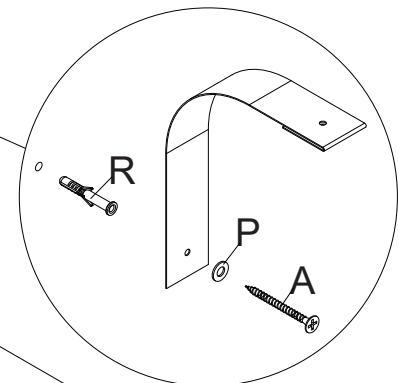
STEP 17



STEP 18



Note:
The premium LED light around the mirror can be switched to natural light, warm light and cold light.
1 Touch button to change light color.
2 Long press to adjust the brightness of each light mode.



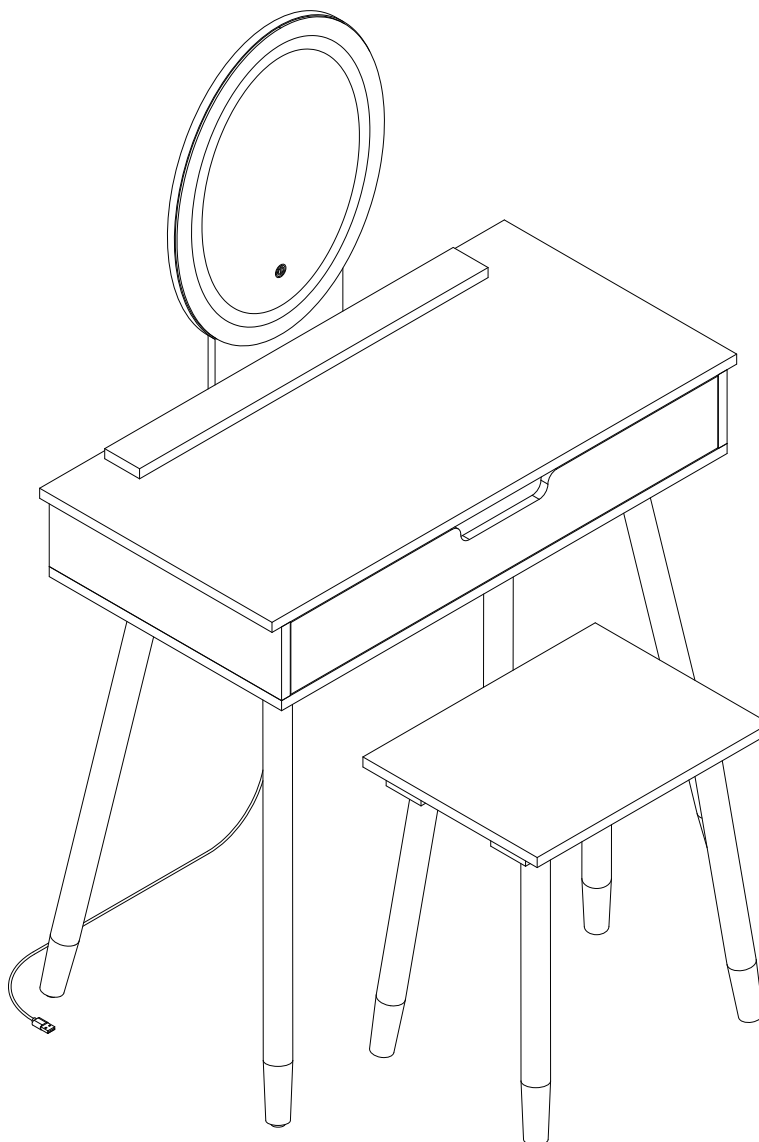
Fittings required

Ax1
Px1
Rx1

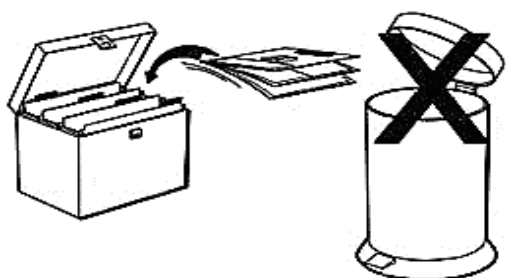
SIGNY DRESSING TABLE & STOOL ASSEMBLY INSTRUCTIONS

Complete Assembly

Your SIGNY DRESSING TABLE & STOOL is now completely assembled.
Periodically check to ensure that the components are in their proper position and free from damage.
Also, make sure the connectors are tight and secure.



Keep instructions for future reference.



Supplied by : GFW THE FURNITURE
WAREHOUSE
Waterside Distribution Centre
Waterside Business Park
Johnson Road
Lancashire
BB3 3RT