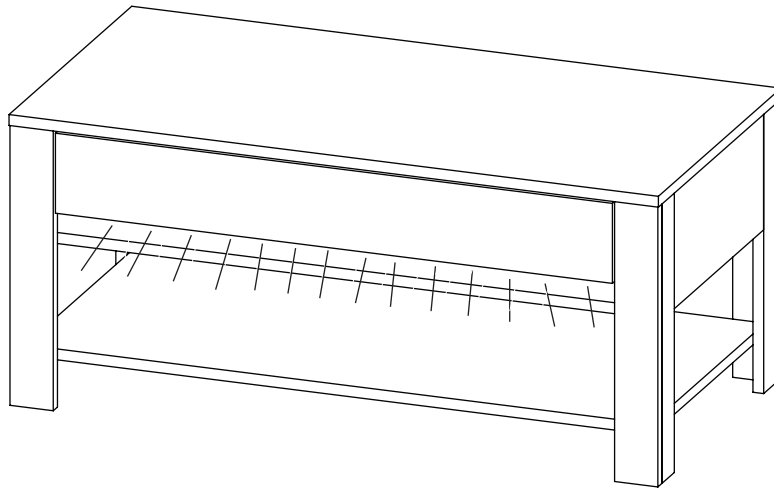


LEON COFFEE TABLE WITH LED ASSEMBLY INSTRUCTIONS

Thank you for purchasing the Leon Coffee Table.

Please read the instructions carefully to ensure safe operation of this product.



Size: 90 x 45 x 40 cm (WDH)

Colour: Anthracite/Oak
Oak/Anthracite

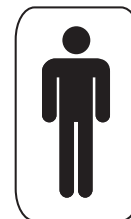
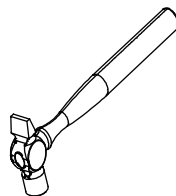
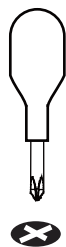
Finish: Melamine

PLEASE READ this sheet prior to assembly to familiarise yourself with the various stages of construction.

Carefully open the pack supplied and check the contents against the parts and fittings check list. Do not destroy any of the packaging until you are certain that you have all the necessary parts for the assembly.

CAUTION: There are small components used in the construction of this unit. These loose items should be kept away from young children whilst assembling your unit to avoid the danger of choking.

Tools Required



1 1/4 Hour
Set Up

Stubby Screwdriver

Version 1 - 240328

PO No: _____

Page 1 of 11

IMPORTANT - READ CAREFULLY - RETAIN THESE INSTRUCTIONS FOR FUTURE REFERENCE.

INFORMATION

- This product is designed to hold 25 Kg in total, spread evenly over the whole unit.
- Do not exceed this weight.
- We recommend that this unit is assembled in the room intended for use.
- When you are ready to start, make sure that you have the right tools, plenty of space and a clean, dry area for assembly.
- Unwrap all packaging materials and place the components on top of the carton box or on a clean floor to prevent them from scratching.
- Check the pack and make sure you have all the parts listed.
- Ensure that this product is fully assembled as illustrated before use.
- Check all screws or bolts are tightened and inspect regularly
- Tools not included unless specified in parts list.

WARNINGS

- DO NOT sit or stand on this product.
- DO NOT use power tools to construct this product.
- DO NOT tighten screws until parts are assembled or as advised in this guide.
- DO NOT over tighten screws or bolts.
- DO NOT use this product if parts are missing, damaged or worn.
- DO NOT place hot or warm objects directly on the surface as these may damage the product.
Always use a suitable heat resistant mat.

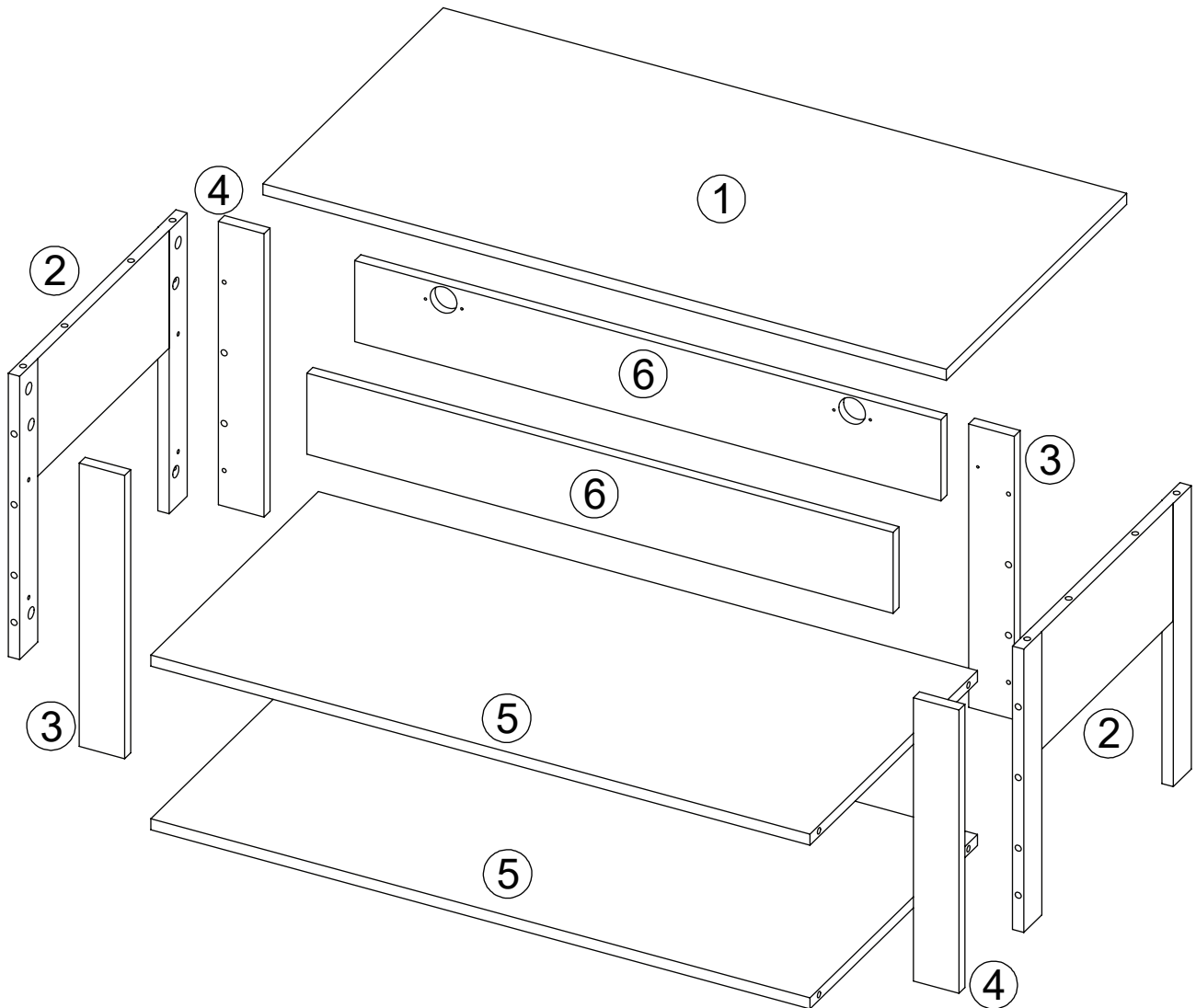
CARE INFORMATION

- To clean, wipe with a damp clean cloth.
- Never use scourers, abrasives or chemical cleaners.
- Do not use solvent based cleaners or detergents as they can bleach or damage the product.

Parts and Fittings Checklist

Please check the pack contents before assembling the product. If any components are missing, please contact your retailer.

The fittings pack contains small items that should be kept away from children.



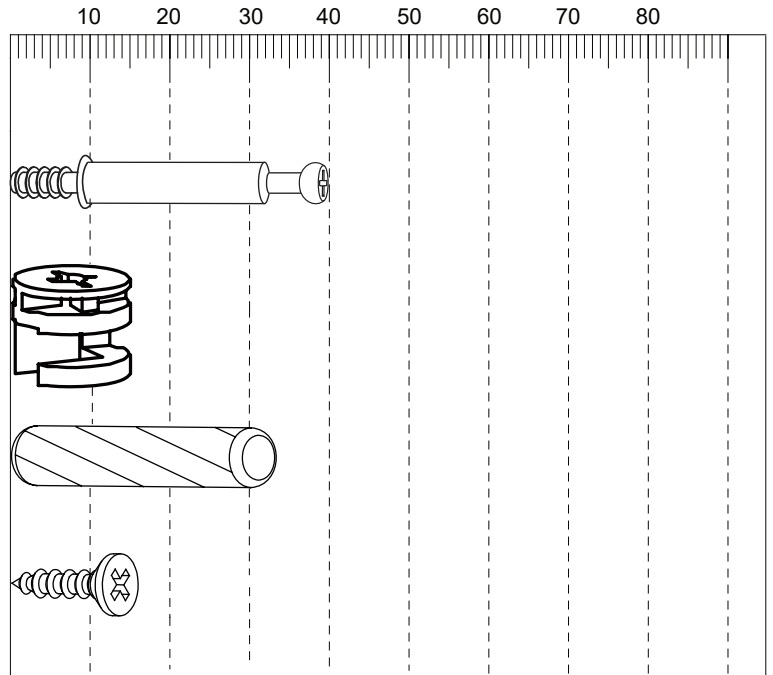
All parts are packed in one carton

1	2	3
Description: Top Panel Qty: 1 Size: 900 x 450 x 15 mm Carton No: 1/1	Description: Side Panels Qty: 2 Size: 418 x 385 x 15 mm Carton No: 1/1	Description: LH Front Legs Qty: 2 Size: 385 x 60 x 15 mm Carton No: 1/1
4	5	6
Description: RH Front Legs Qty: 2 Size: 385x 60 x 15 mm Carton No: 1/1	Description: Fixed Shelves Qty: 2 Size: 868 x 418 x 15 mm Carton No: 1/1	Description: Flaps Qty: 2 Size: 772x 110 x 15 mm Carton No: 1/1

LEON COFFEE TABLE WITH LED ASSEMBLY INSTRUCTIONS

Fittings (to scale)

Code	Item	Quantity
A	Cam Bolt (38mm overall)	20
B	Cam Lock	20
C	Dowel (8x30mm)	12
E	Screw for fitting hinge and for flap stop (3.5x12mm)	26



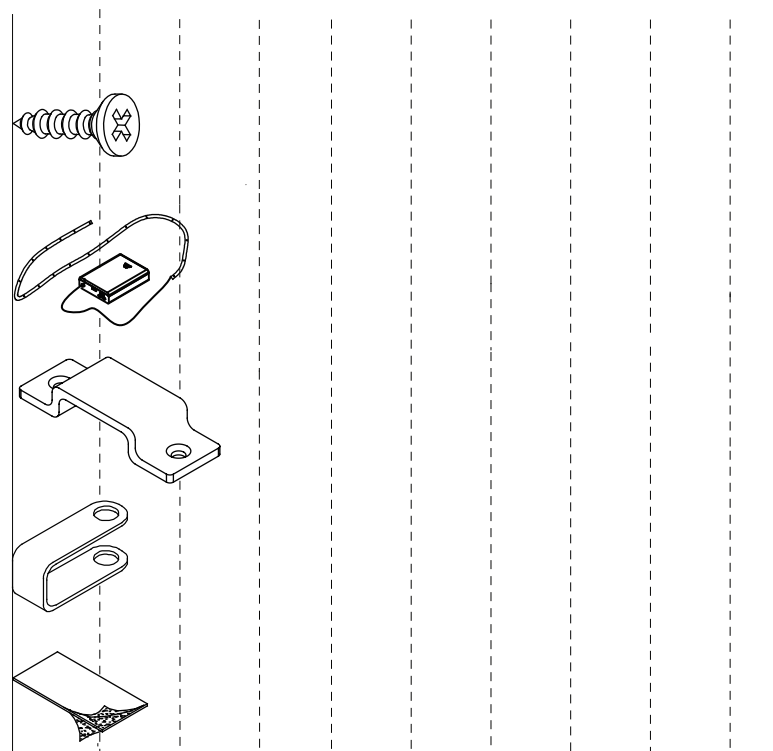
Fittings (not to scale)

Code	Item	Quantity
Q	Hinge & Hinge Plate set	4
Y	Flap Stop	2

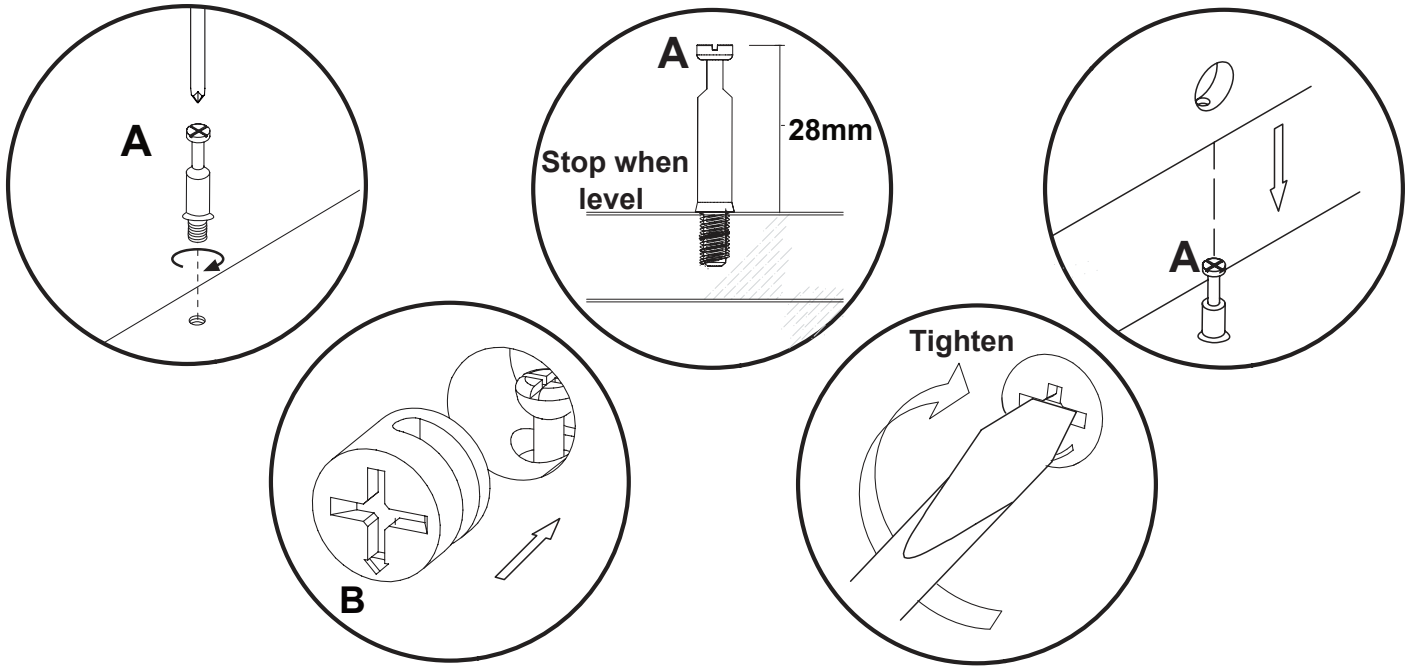


Fittings (packed in LED pack).

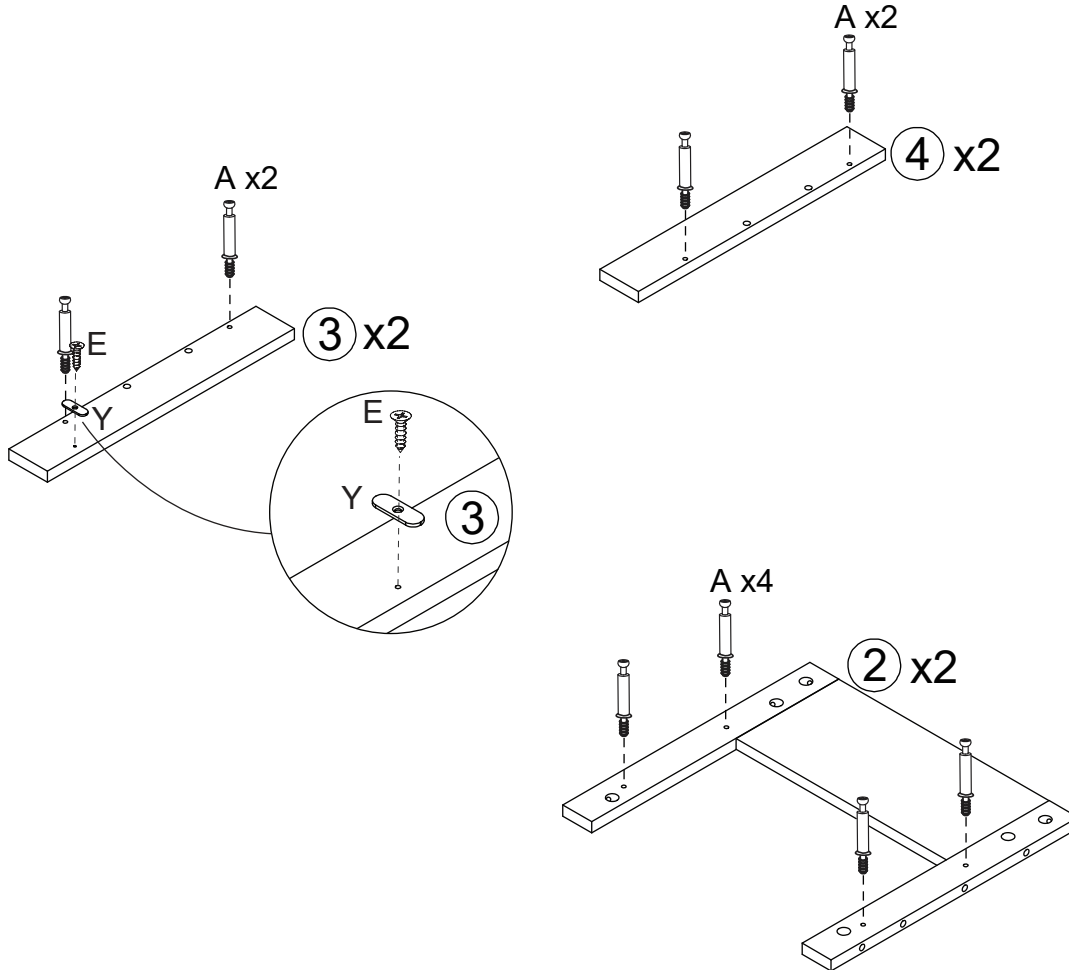
Code	Item	Quantity
G	Screw for LED & cable clips	8
H	Battery Box and Warm White LED Strip (50 cm)	1
J	LED Clip	3
K	Cable Clip	2
T	Sticky Pad	1



General Hints & Tips



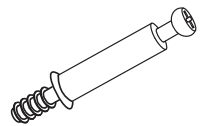
STEP 1



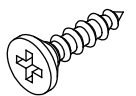
For this step:
Tools required



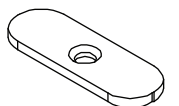
Fittings required



A x16



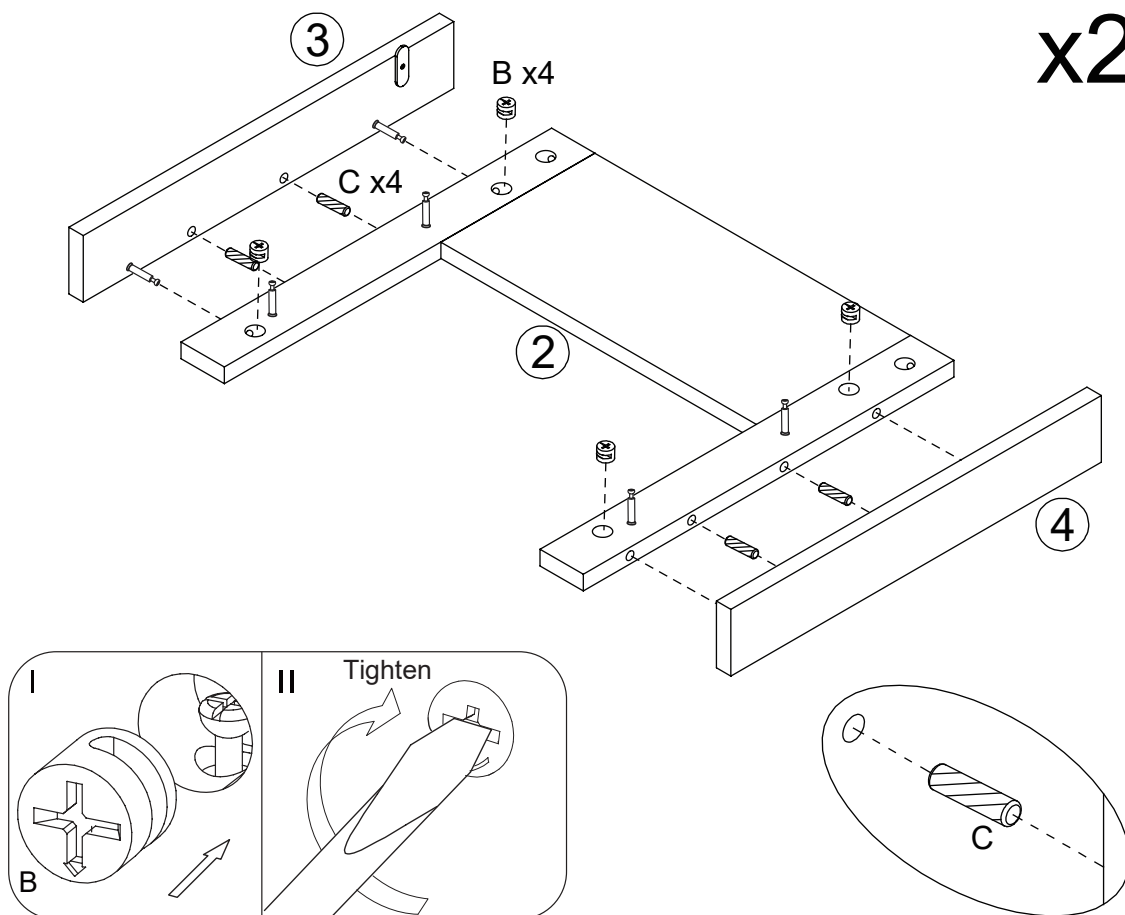
E x2



Y x2

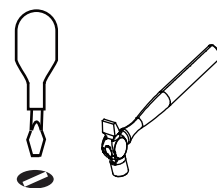
STEP 2

x2



For this step:

Tools required

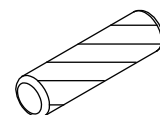


For Dowel (C)
Tap Gently

Fittings required

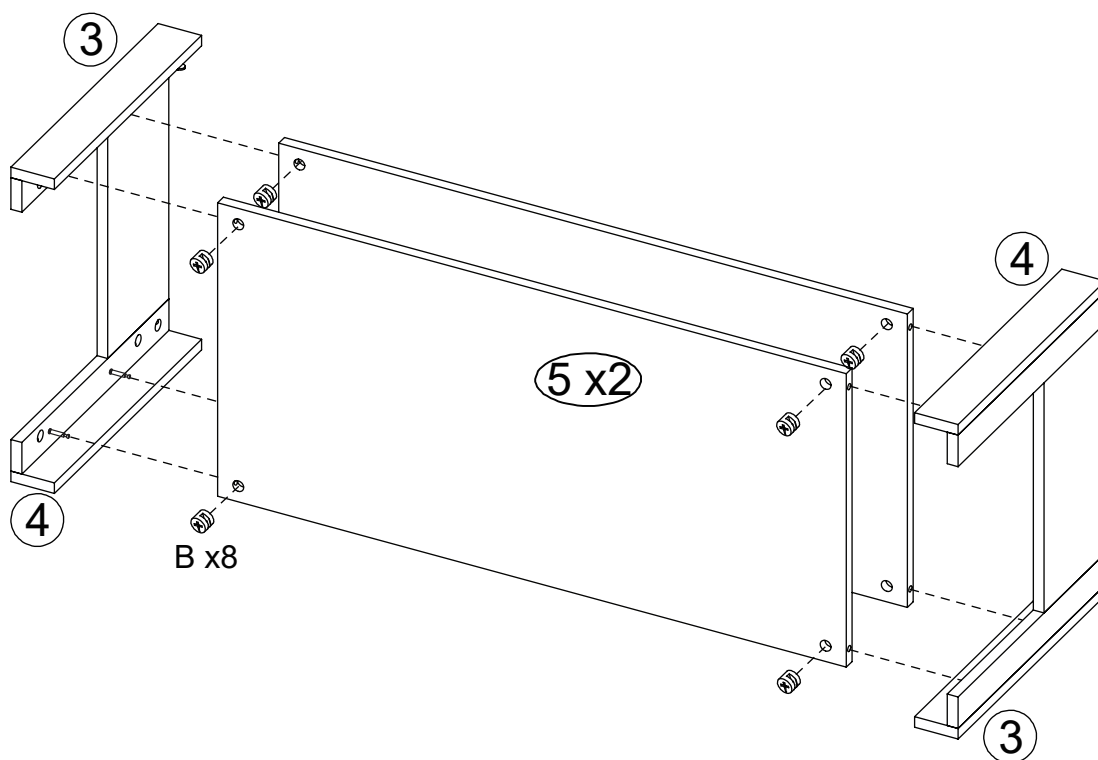


B x 8



C x 8

STEP 3



For this step:

Tools required

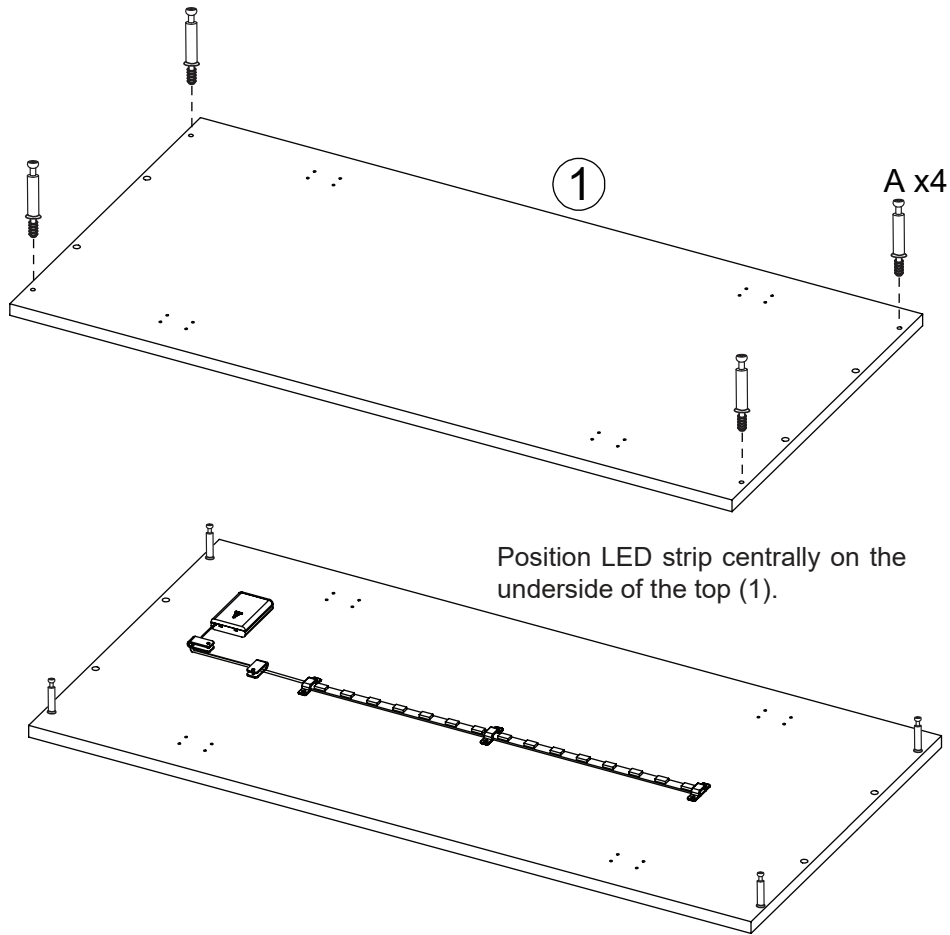


Fittings required



B x 8

STEP 4

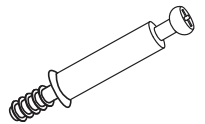


Position LED strip centrally on the underside of the top (1).

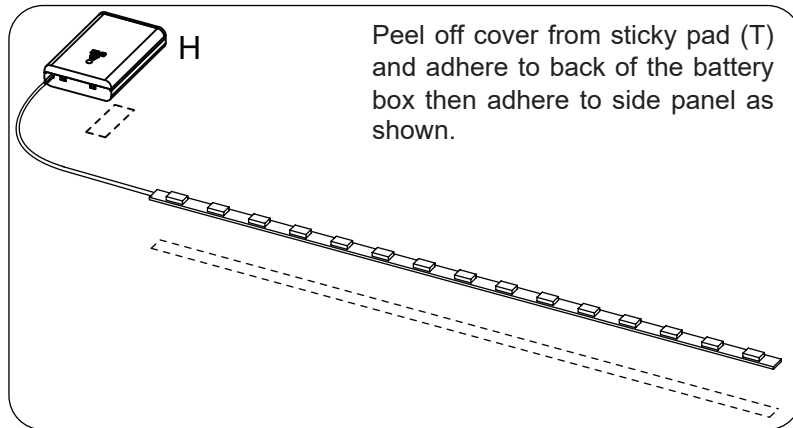
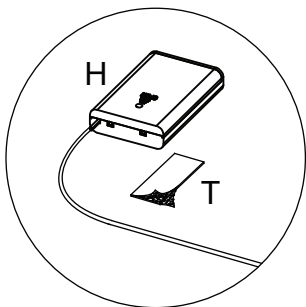
For this step:
Tools required



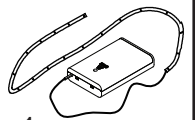
Fittings required



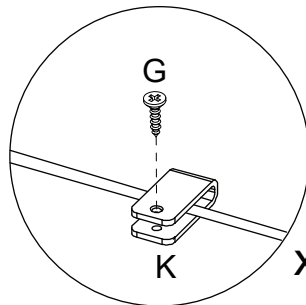
A x4



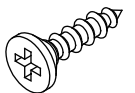
Peel off cover from sticky pad (T) and adhere to back of the battery box then adhere to side panel as shown.



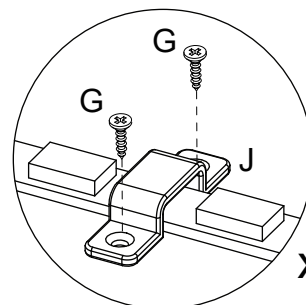
H x1



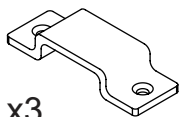
x2



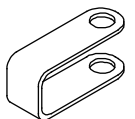
G x8



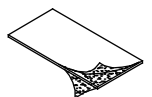
x3



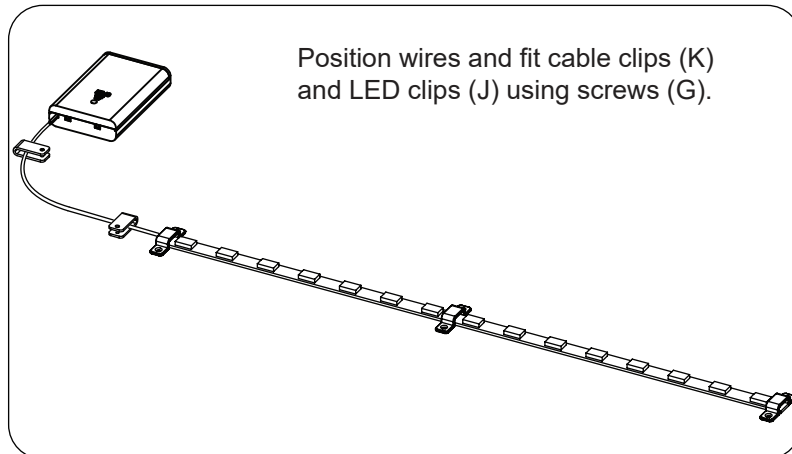
J x3



K x2



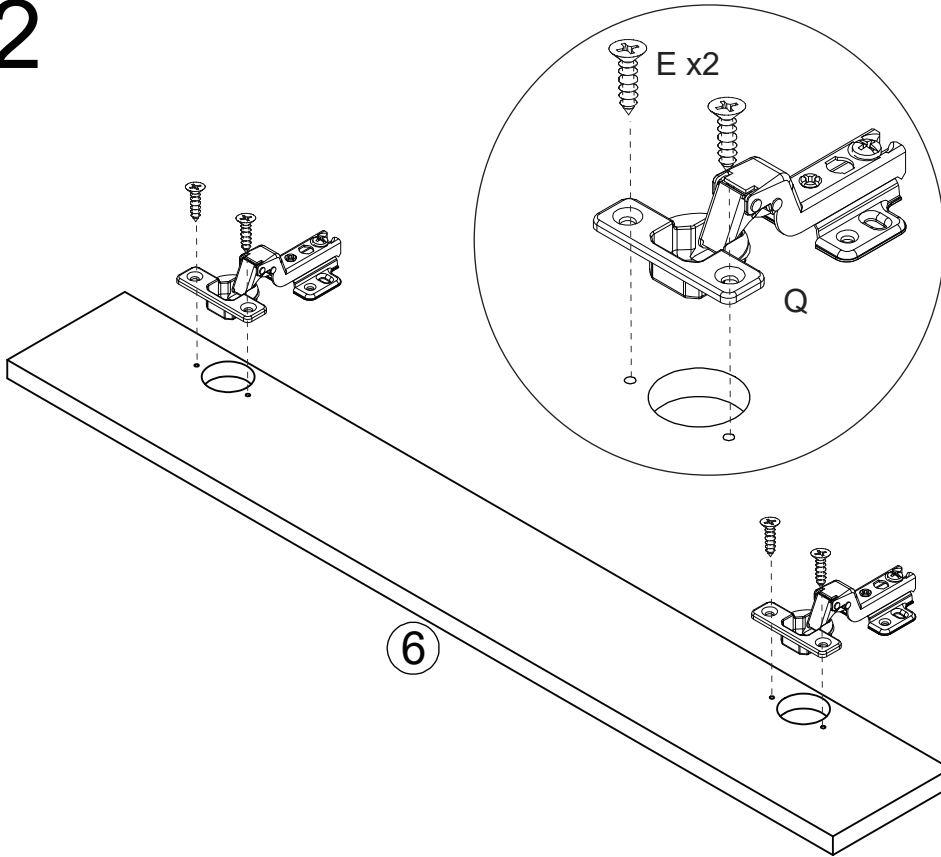
T x1



Position wires and fit cable clips (K) and LED clips (J) using screws (G).

STEP 5

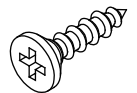
x2



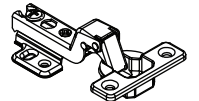
For this step:
Tools required



Fittings required

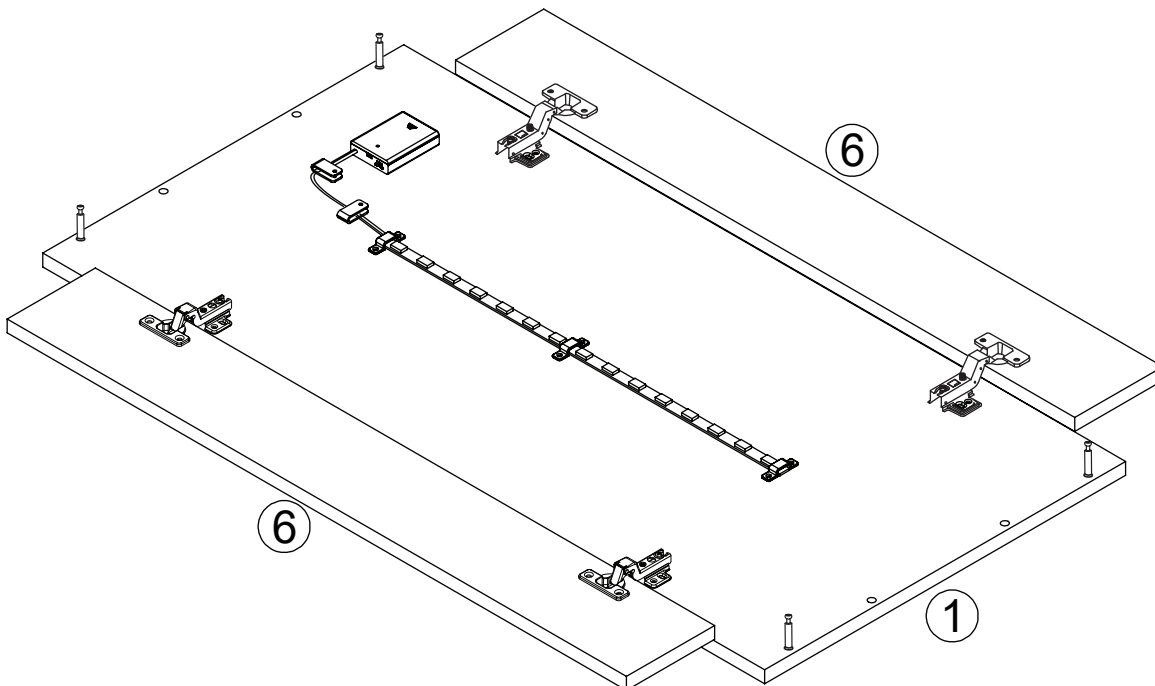


E x8



Q x4

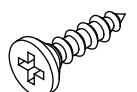
STEP 6



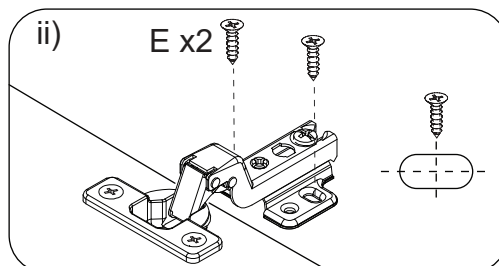
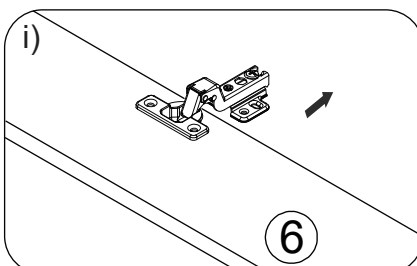
For this step:
Tools required



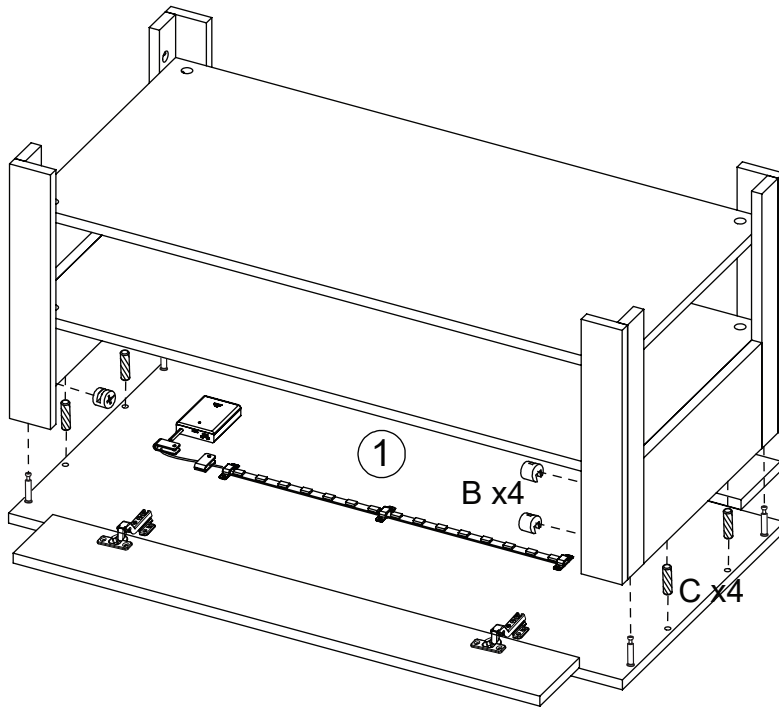
Fittings required



E x8

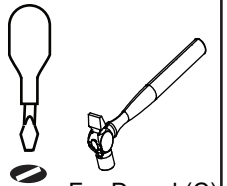


STEP 7



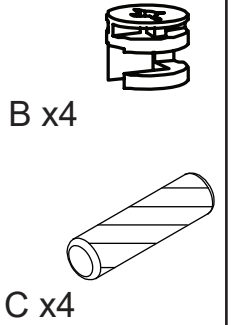
For this step:

Tools required

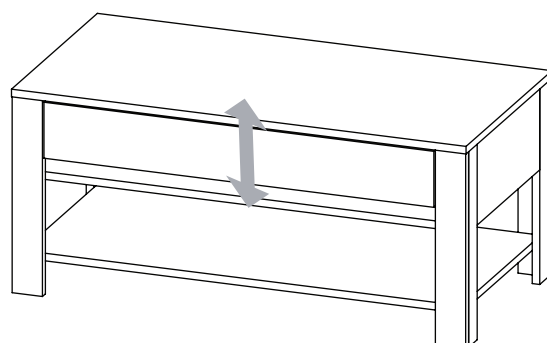
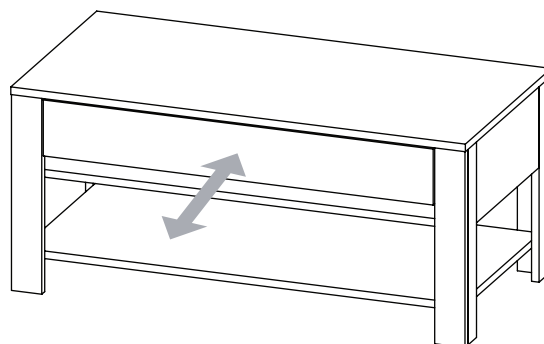
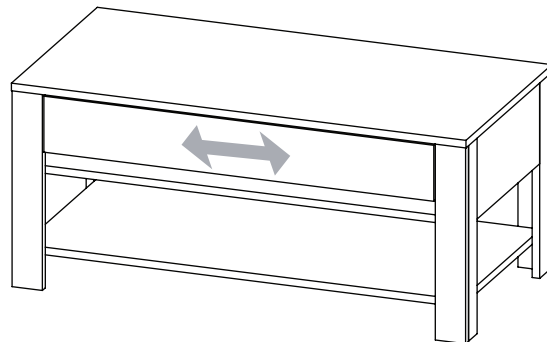
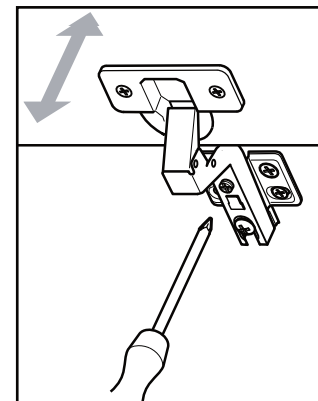
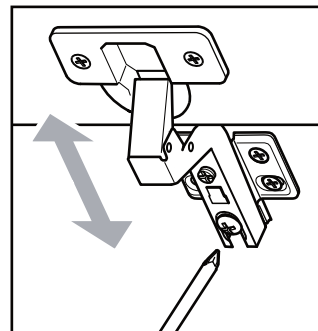
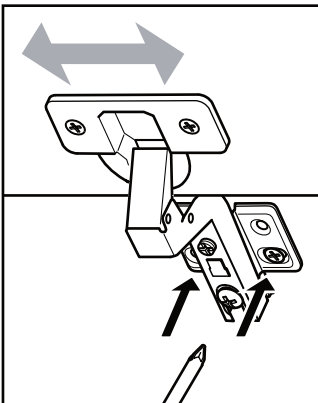


For Dowel (C)
Tap Gently

Fittings required



STEP 8

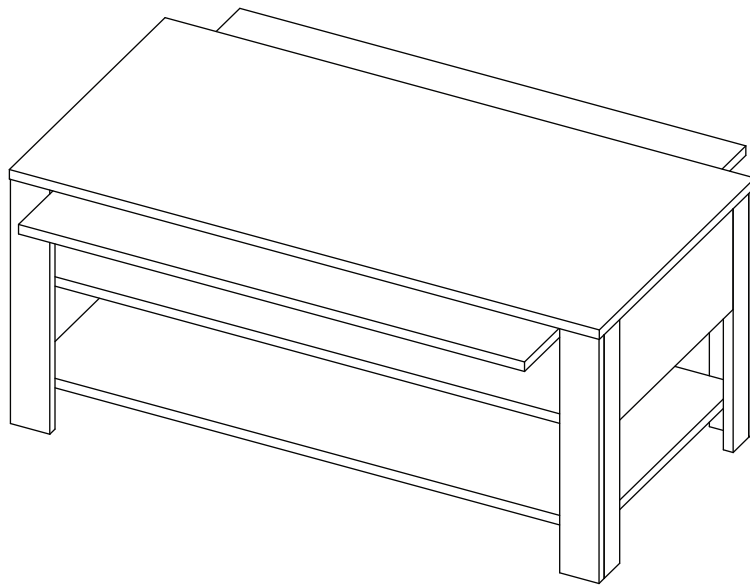
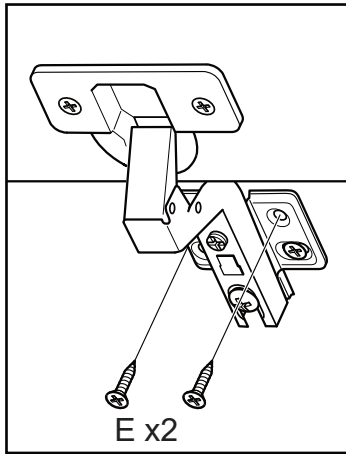


For this step:

Tools required



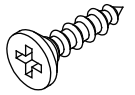
STEP 9



For this step:
Tools required



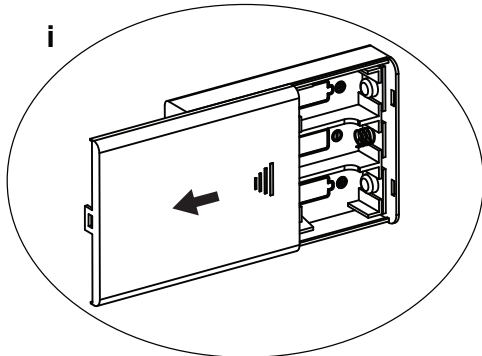
Fittings required



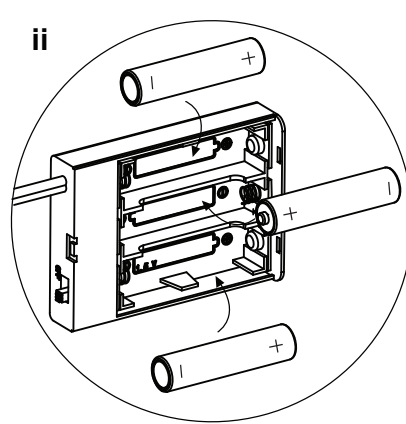
E x8

CHANGING THE BATTERIES

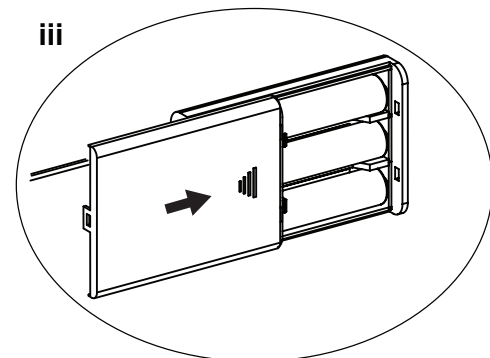
SLIDE OFF THE LID



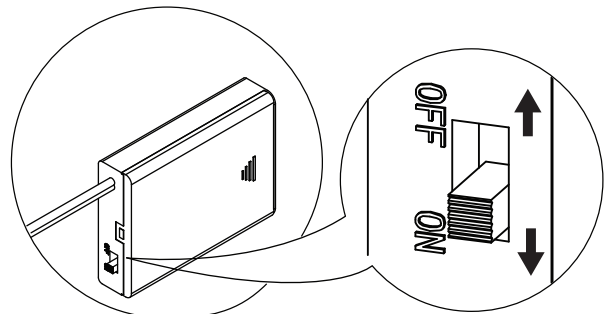
CHANGE BATTERIES



SLIDE LID BACK ON



iv



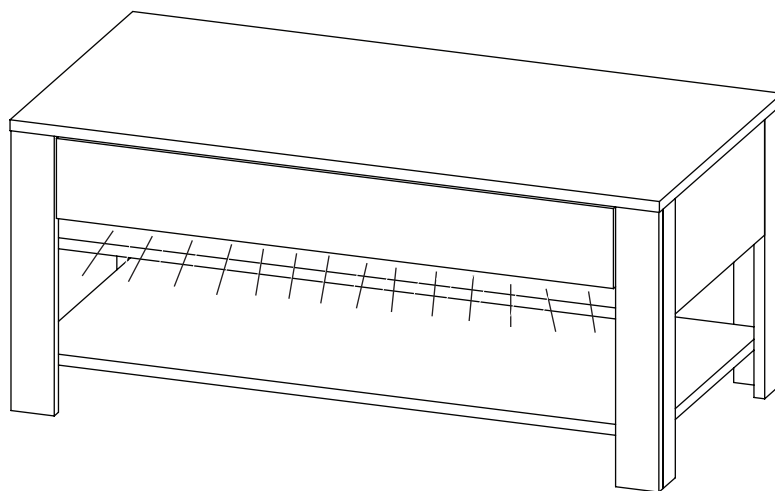
USE GOOD QUALITY AA BATTERIES. FOR BEST RESULTS USE RE-CHARGEABLES.

Assembly Completed

Your Leon Coffee table is now completely assembled.

Periodically check to ensure that the components are in their proper position, free from damage.

Also, make sure the connectors are tight and secure.



Keep instructions for future reference

