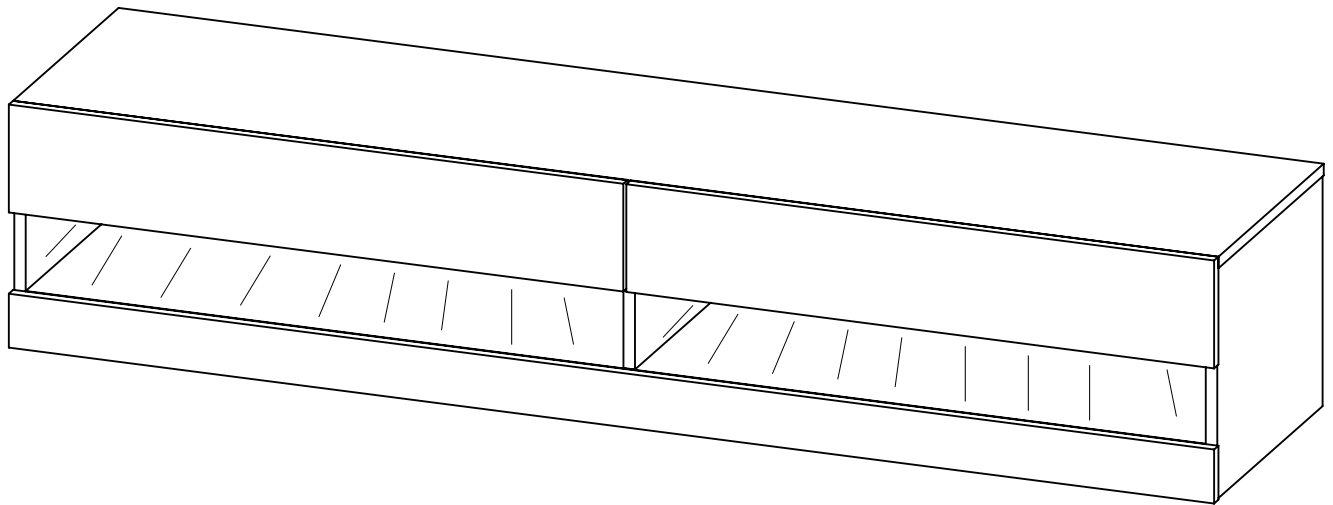


LEON 180CM WALL TV UNIT WITH LED ASSEMBLY INSTRUCTIONS

Thank you for purchasing the Leon Wall TV Unit.

Please read the instructions carefully to ensure safe operation of this product especially the installation warnings shown in Page 2 of this guide.



Size: 180 x 38 x 30 cm (WDH)

Colour: Anthracite/Oak
Oak/Anthracite

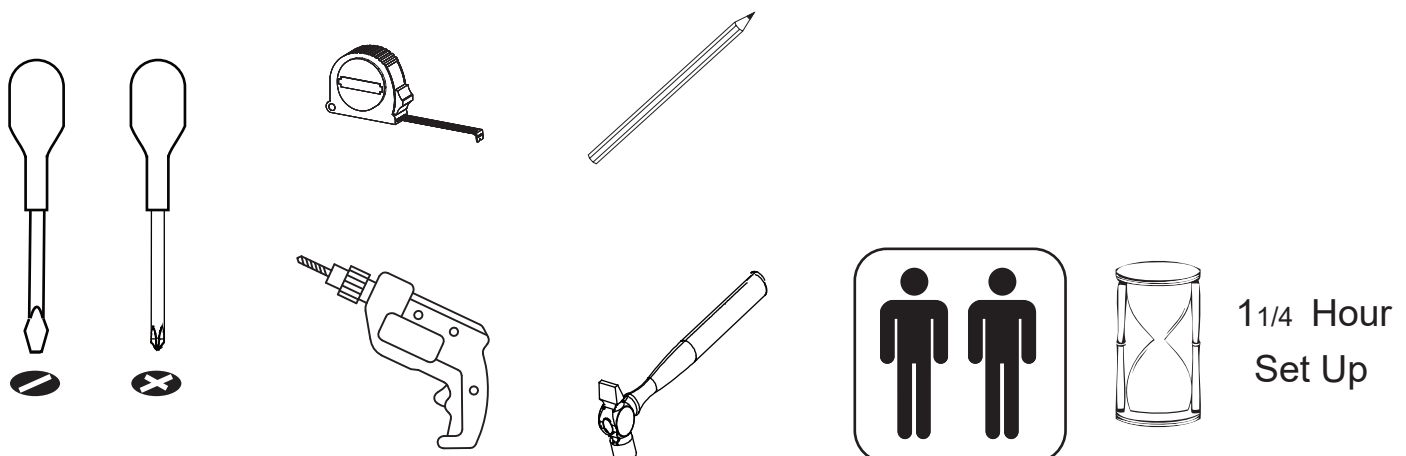
Finish: Melamine

PLEASE READ this sheet prior to assembly to familiarise yourself with the various stages of construction.

Carefully open the pack supplied and check the contents against the parts and fittings check list. Do not destroy any of the packaging until you are certain that you have all the necessary parts for the assembly.

CAUTION: There are small components used in the construction of this unit. These loose items should be kept away from young children whilst assembling your unit to avoid the danger of choking.

Tools Required



Version 1 - 240113

PO No: _____

Page 1 of 15

IMPORTANT - READ CAREFULLY - RETAIN THESE INSTRUCTIONS FOR FUTURE REFERENCE.

INFORMATION

- This product is designed to hold 34 Kg in total, spread evenly over the whole unit.
- Do not exceed this weight.
- We recommend that this unit is assembled in the room intended for use.
- When you are ready to start, make sure that you have the right tools, plenty of space and a clean, dry area for assembly.
- Unwrap all packaging materials and place the components on top of the carton box or on a clean floor to prevent them from scratching.
- Check the pack and make sure you have all the parts listed.
- Ensure that this product is fully assembled as illustrated before use.
- Check all screws or bolts are tightened and inspect regularly
- Tools not included unless specified in parts list.

WARNINGS

- DO NOT use power tools to construct this product.
- DO NOT tighten screws until parts are assembled or as advised in this guide.
- DO NOT over tighten screws or bolts.
- DO NOT use this product if parts are missing, damaged or worn.
- This is a TV Unit designed to hang from the wall, only use the supports provided.
- **INSTALLATION WARNINGS:**
 1. In order to prevent the product falling down this product must be installed with the wall hanging device(s) provided - do not use any other means to support the product.
 2. Carefully assess the suitability of the wall to ensure that the fastening device will withstand the load and forces generated. Walls can be quite different in construction so fixings are not supplied - choose the most suitable fixing for your wall type - if in doubt consult an expert.
 3. When drilling the wall always be sure the area to be drilled is free from hidden electrical wiring, water or gas pipes.
 4. The assembly of this product must be done carefully following the detailed stages in the Assembly Instruction.
 5. Installation of this product needs to be carried out in accordance with the following instructions, please carefully check Steps 14 &15...

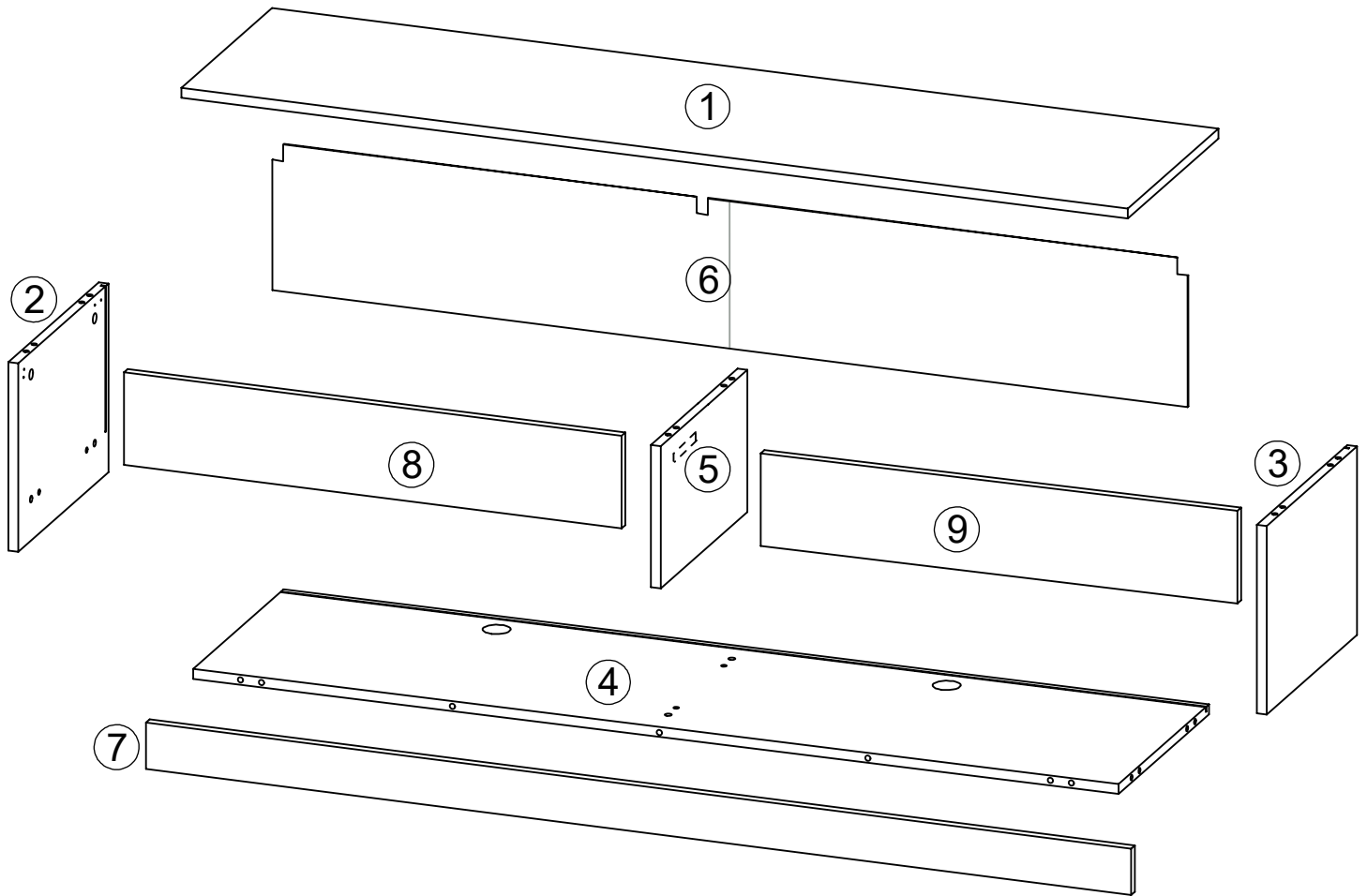
CARE INFORMATION

- To clean, wipe with a damp clean cloth.
- Never use scourers, abrasives or chemical cleaners.
- Do not use solvent based cleaners or detergents as they can bleach or damage the product.

Parts and Fittings Checklist

Please check the pack contents before assembling the product. If any components are missing, please contact your retailer.

The fittings pack contains small items that should be kept away from children.



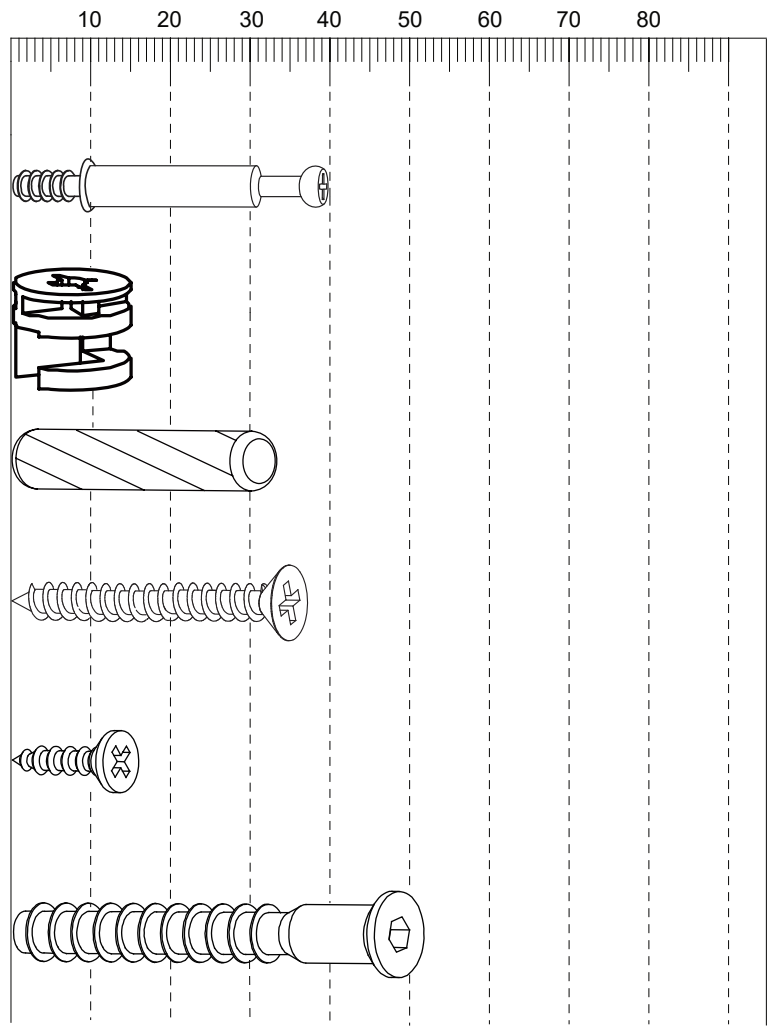
All parts are packed in one carton

1	2	3
Description: Top Panel Qty: 1 Size: 1800 x 365 x 15 mm Carton No: 1/1	Description: LH Side Panel Qty: 1 Size: 364 x 285 x 15 mm Carton No: 1/1	Description: RH Side Panel Qty: 1 Size: 364 x 285 x 15 mm Carton No: 1/1
4	5	6
Description: Base Panel Qty: 1 Size: 1768 x 364 x 15 mm Carton No: 1/1	Description: Centre Upright Qty: 1 Size: 349 x 215 x 15 mm Carton No: 1/1	Description: Back Panel Qty: 1 Size: 1776 x 223 x 3 mm Carton No: 1/1
7	8	9
Description: Cross Fascia Qty: 1 Size: 1800 x 70 x 15 mm Carton No: 1/1	Description: LH Flap Qty: 1 Size: 897 x 140 x 15 mm Carton No: 1/1	Description: RH Flap Qty: 1 Size: 897 x 140 x 15 mm Carton No: 1/1

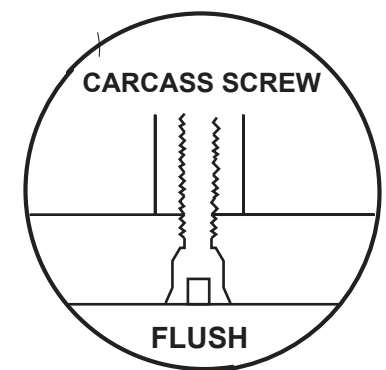
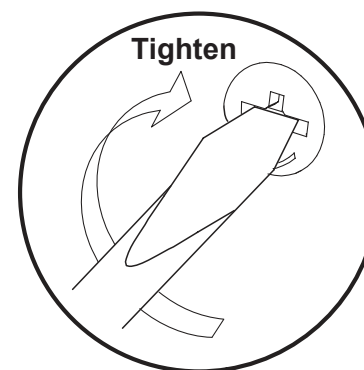
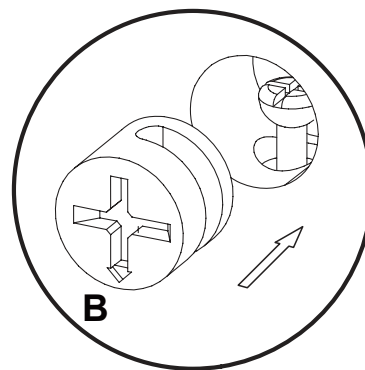
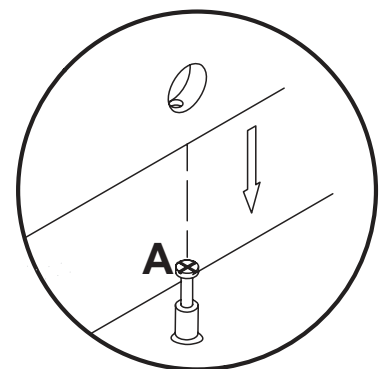
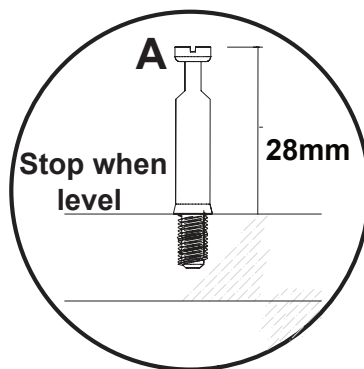
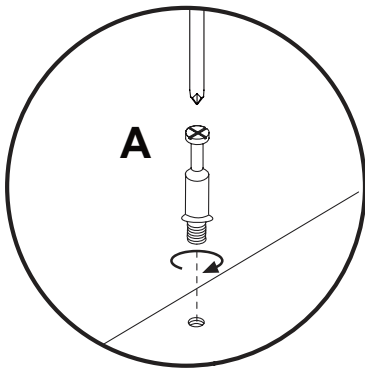
LEON 180CM WALL TV UNIT WITH LED ASSEMBLY INSTRUCTIONS

Fittings (to scale)

Code	Item	Quantity
A	Cam Bolt (38mm overall)	15
B	Cam Lock	15
C	Dowel (8x30mm)	14
D	Screw for Fitting Wall Support (4x32mm)	6
E	Screw for Fitting Hinge and back panel (3.5x12mm)	34
F	Carcass Screw for Fitting Centre Upright to Base Panel (M7x50mm)	2

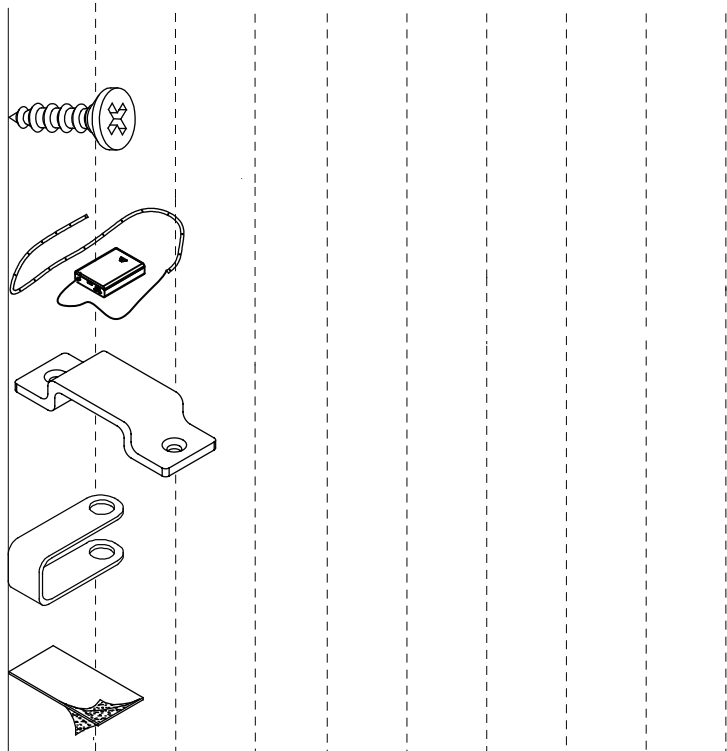


General Hints & Tips



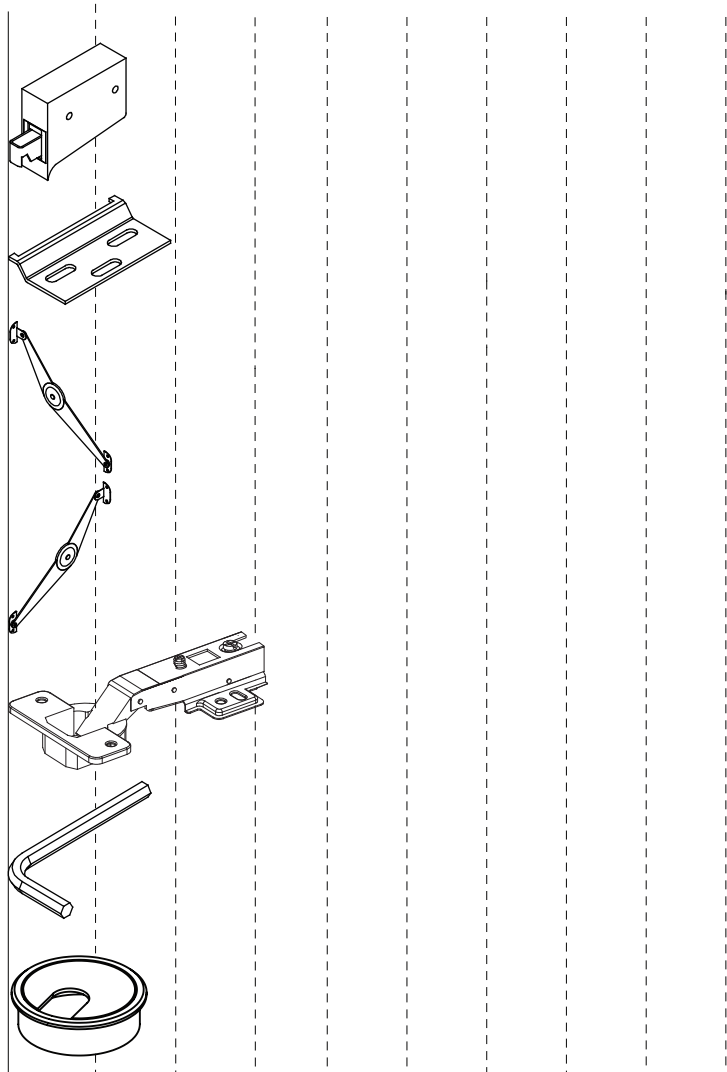
Fittings (packed in each LED pack). Note; there are two packs per unit.

Code	Item	Quantity
G	Screw for LED & Cable Clips	8
H	Battery Box and Blue LED Strip (50 cm)	1
J	LED Clip	3
K	Cable Clip	2
T	Sticky Pad	1

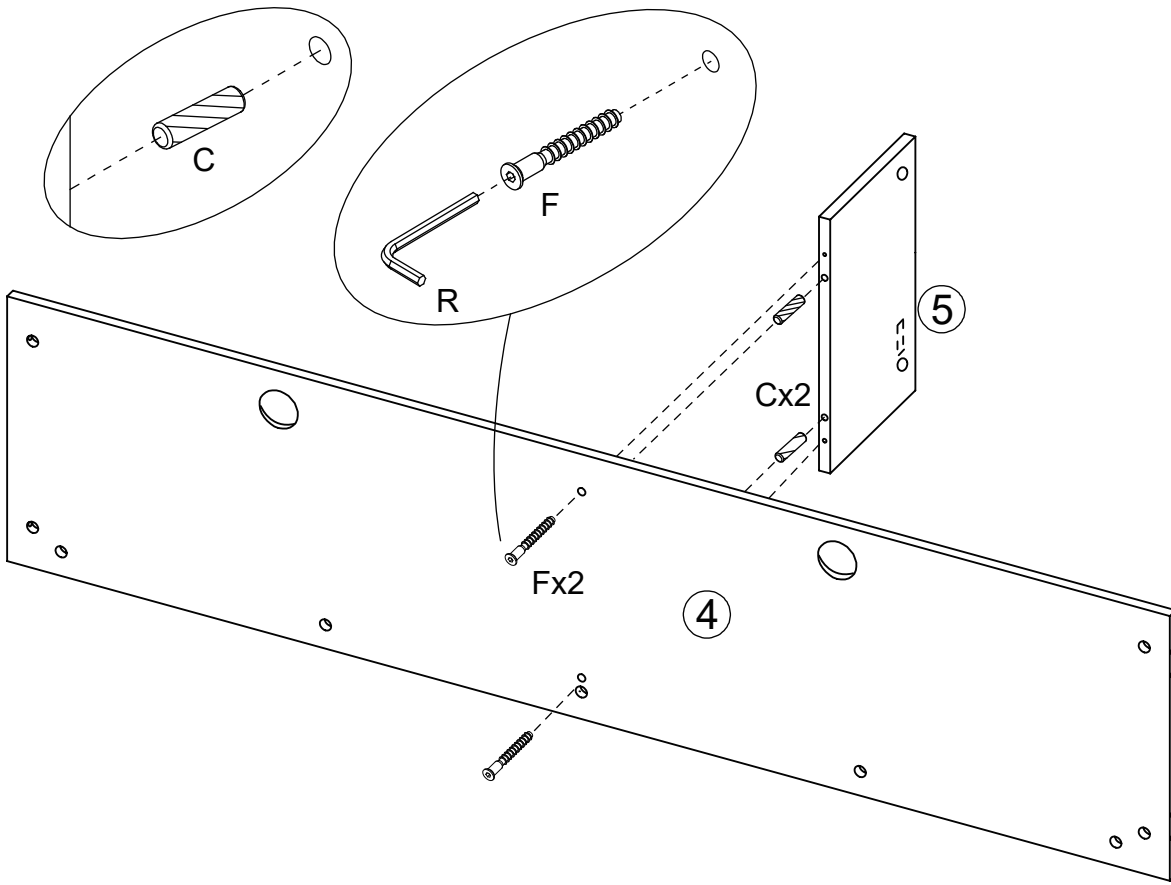


Fittings (not to scale)

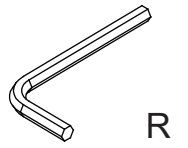
Code	Item	Quantity
L	Wall Hanging Support (Fixed to Cabinet)	3
M	Wall Hanging Bracket (Fixed to Wall)	3
N	Flap Stay - RH	1
P	Flap Stay - LH	1
Q	Hinge & Hinge Plate Set 35	4
R	Allen Key (4mm)	1
S	Cable Port	2



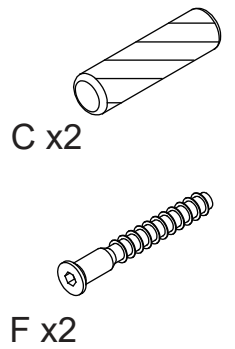
STEP 1



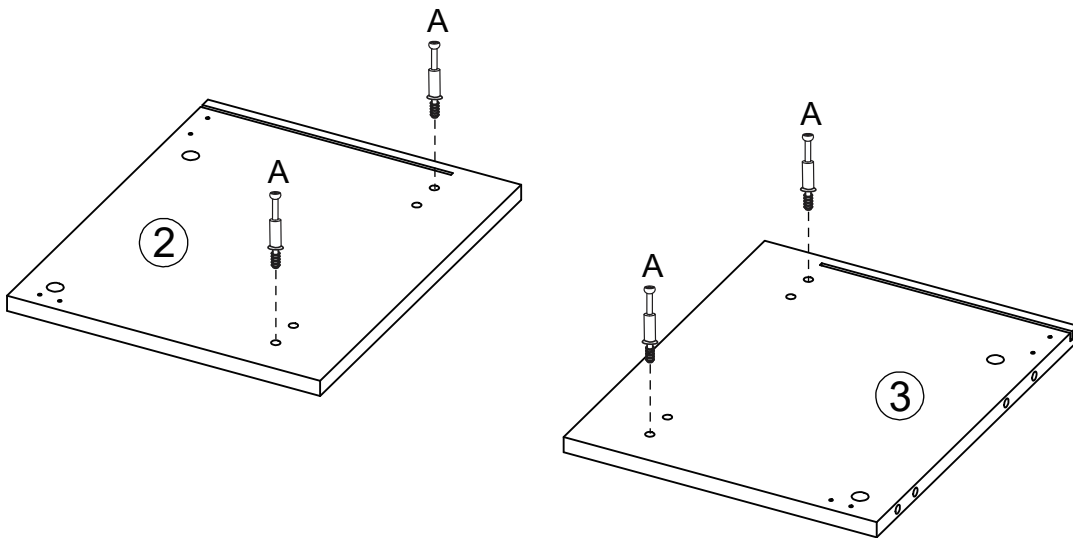
For this step:
Tools required



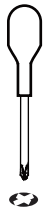
Fittings required



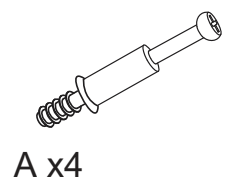
STEP 2



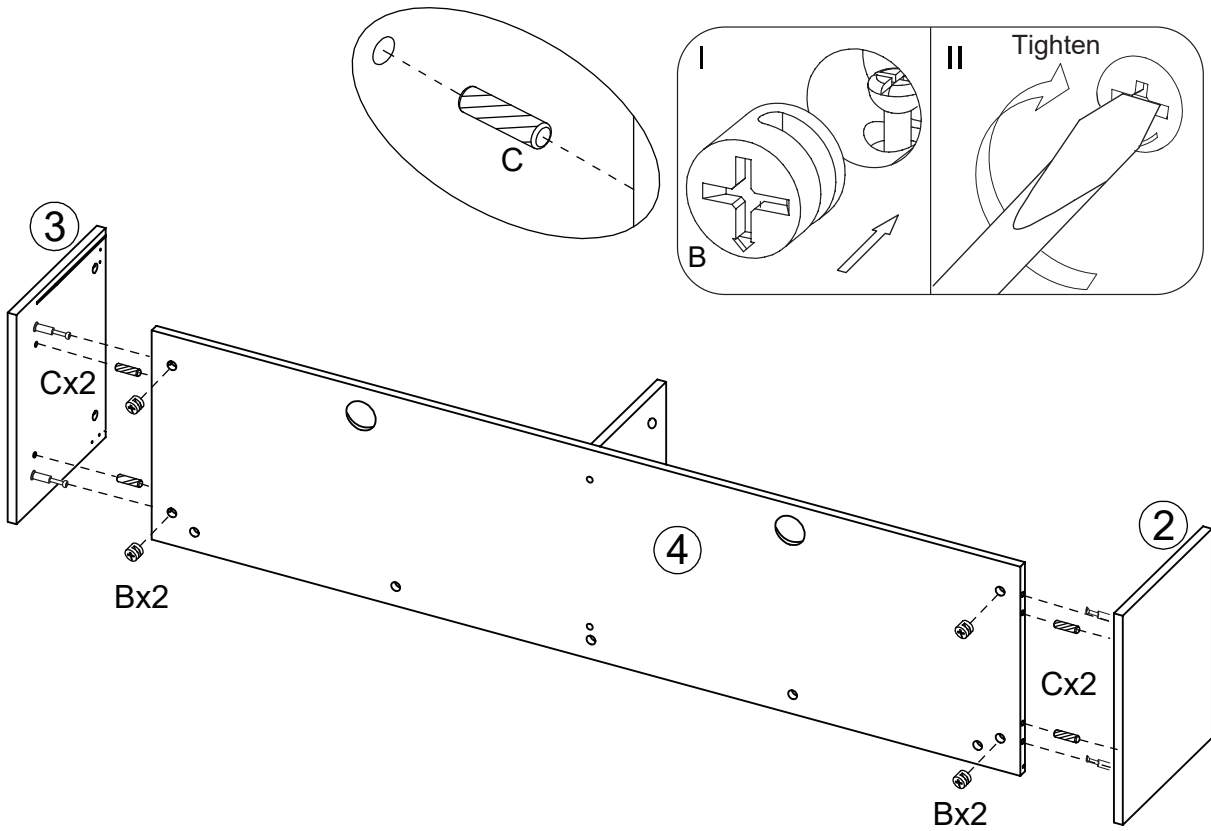
For this step:
Tools required



Fittings required

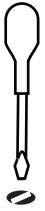


STEP 3



For this step:

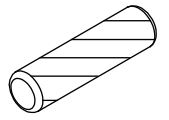
Tools required



Fittings required

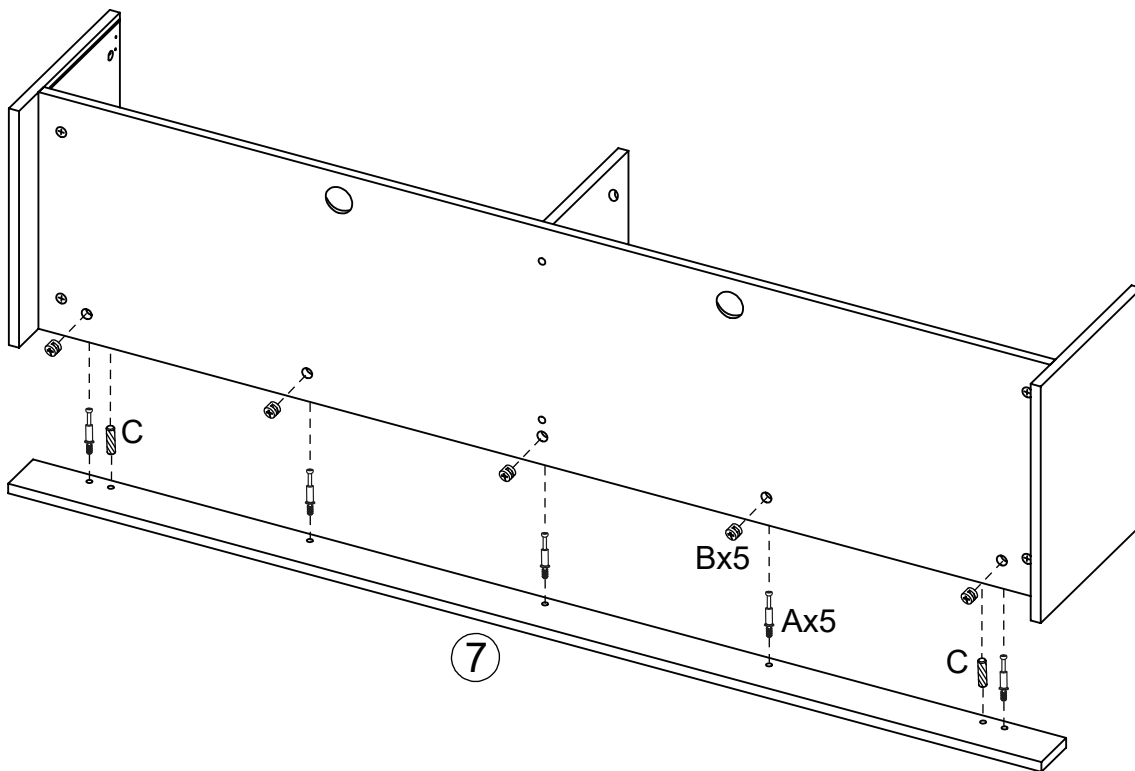


B x4



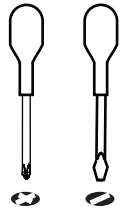
C x4

STEP 4

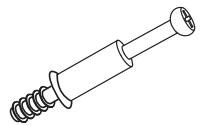


For this step:

Tools required



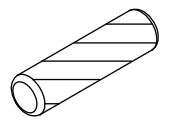
Fittings required



A x5

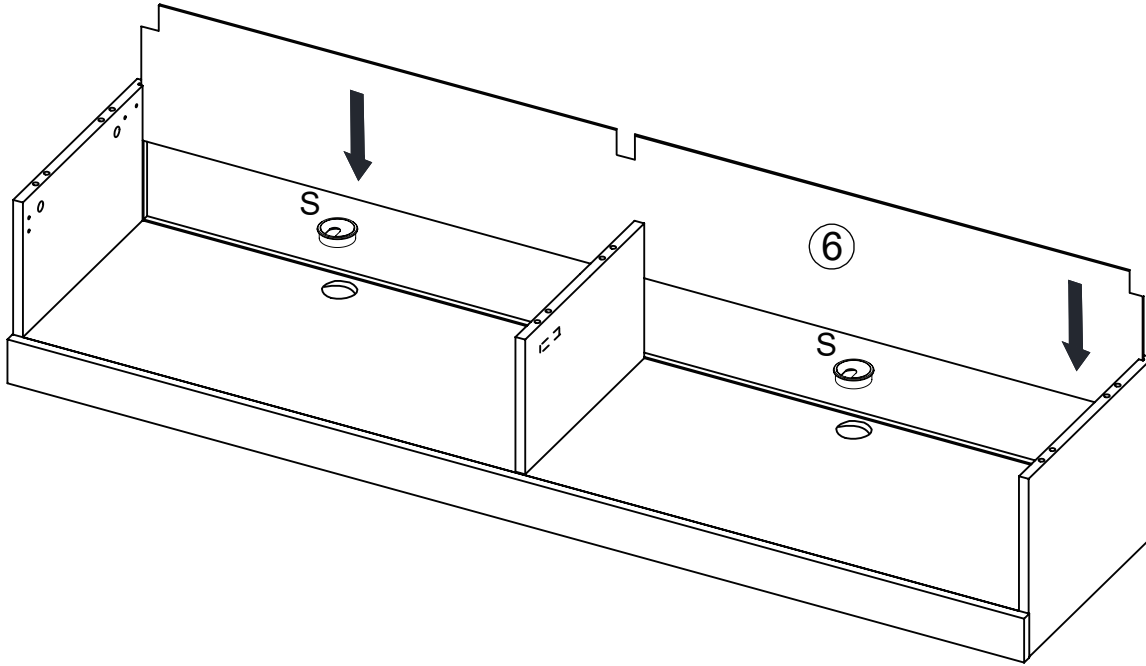


B x5



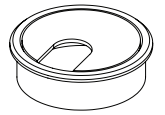
C x2

STEP 5



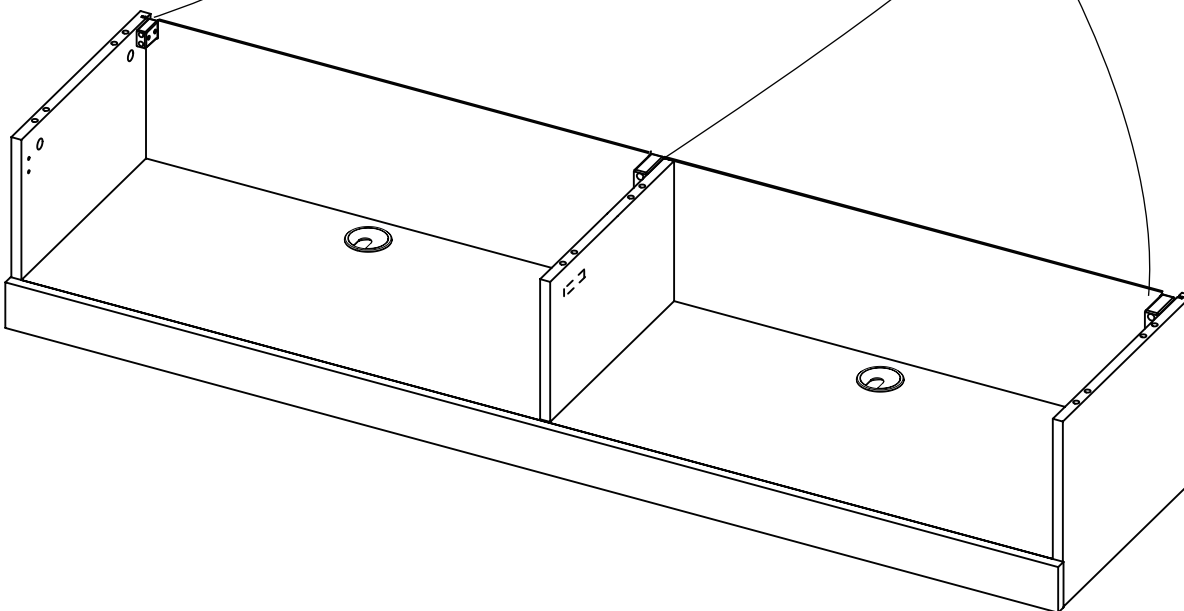
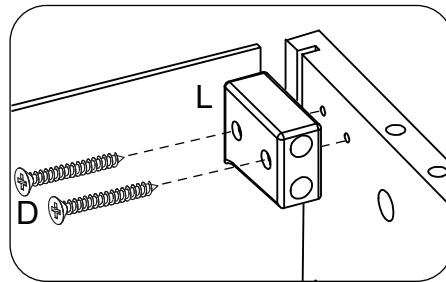
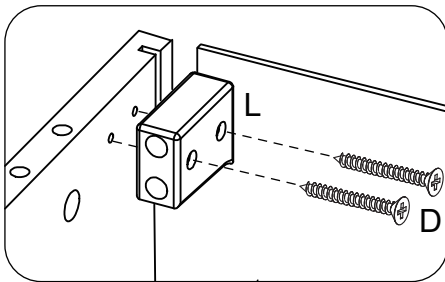
For this step:
Tools required

Fittings required

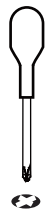


S x2

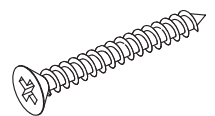
STEP 6



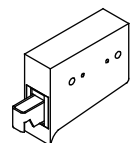
For this step:
Tools required



Fittings required

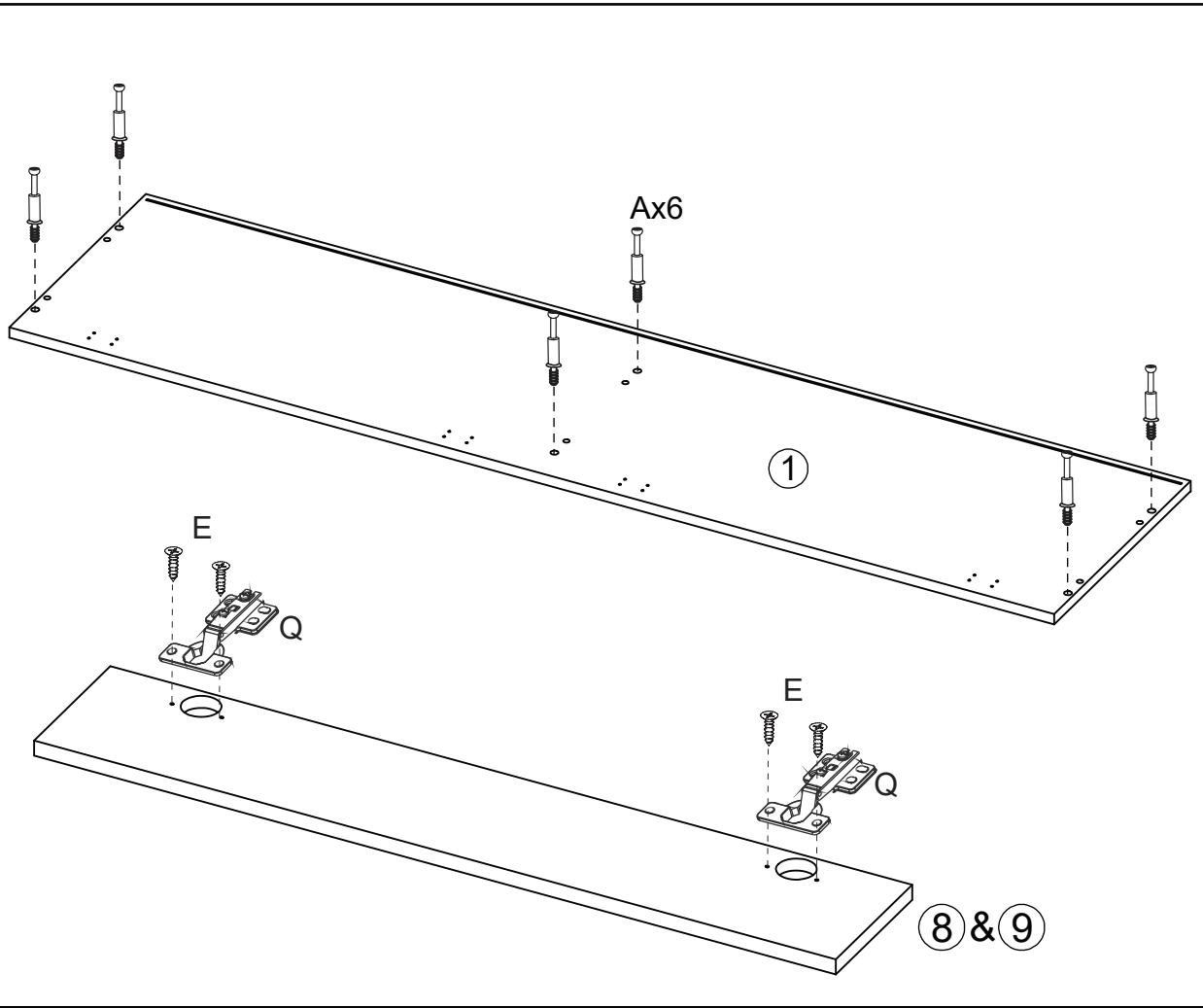


D x6

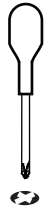


L x3

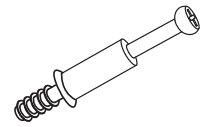
STEP 7



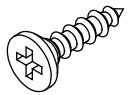
For this step:
Tools required



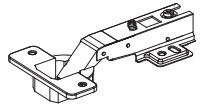
Fittings required



A x6

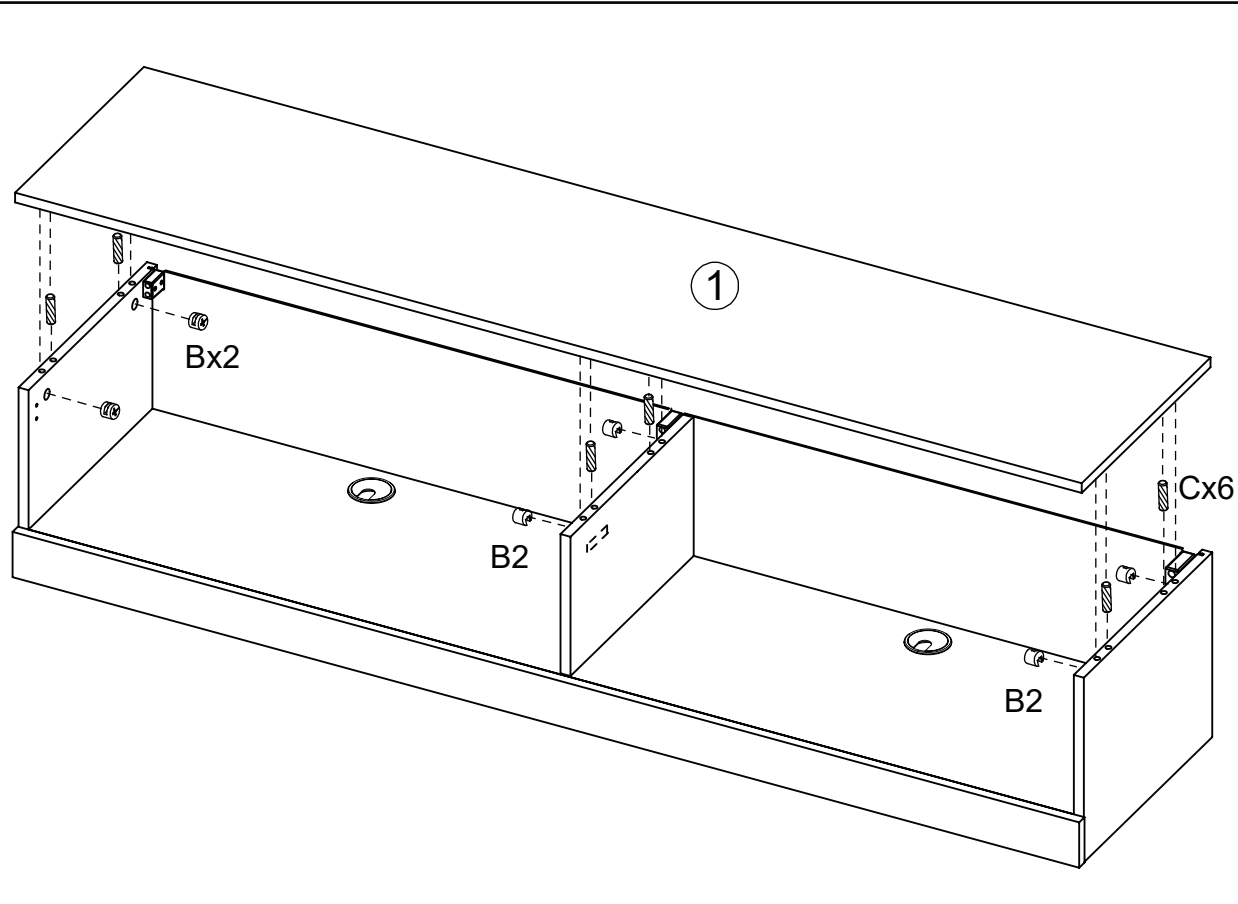


E x8



Q x4

STEP 8



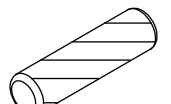
For this step:
Tools required



Fittings required

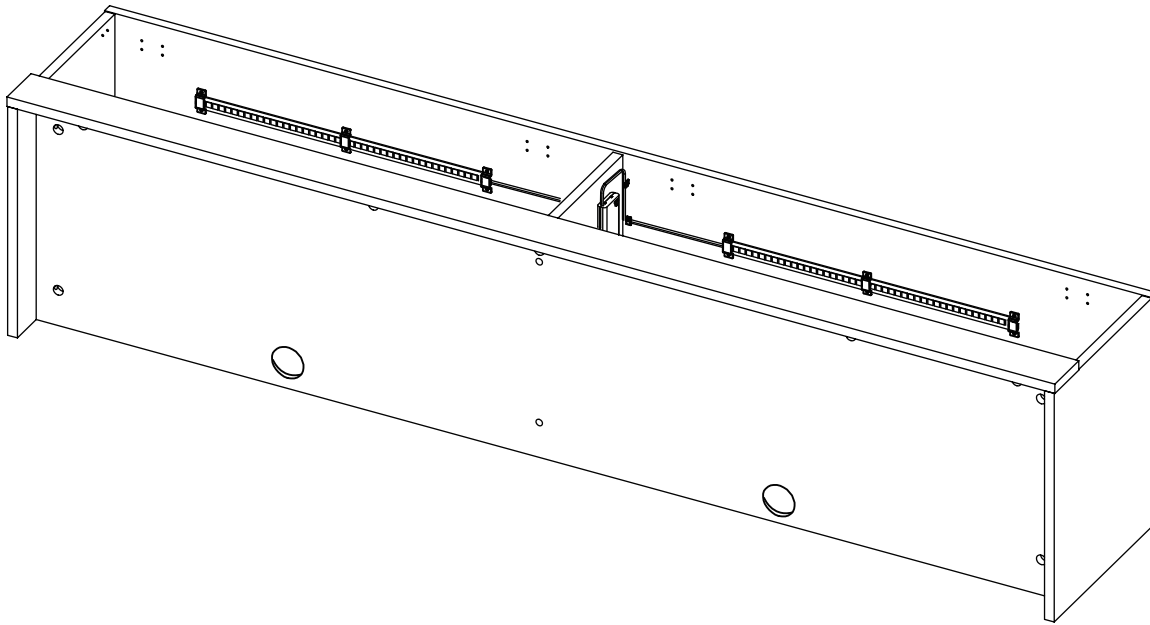


B x6

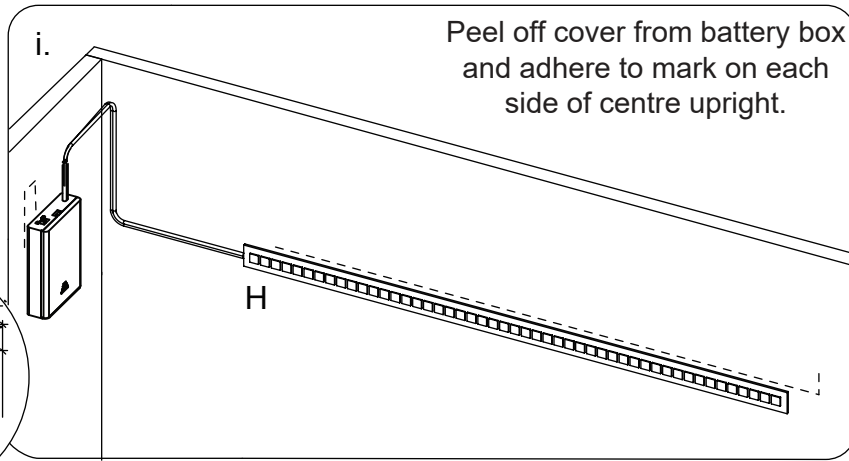


C x6

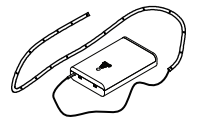
STEP 9



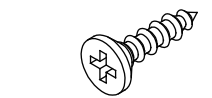
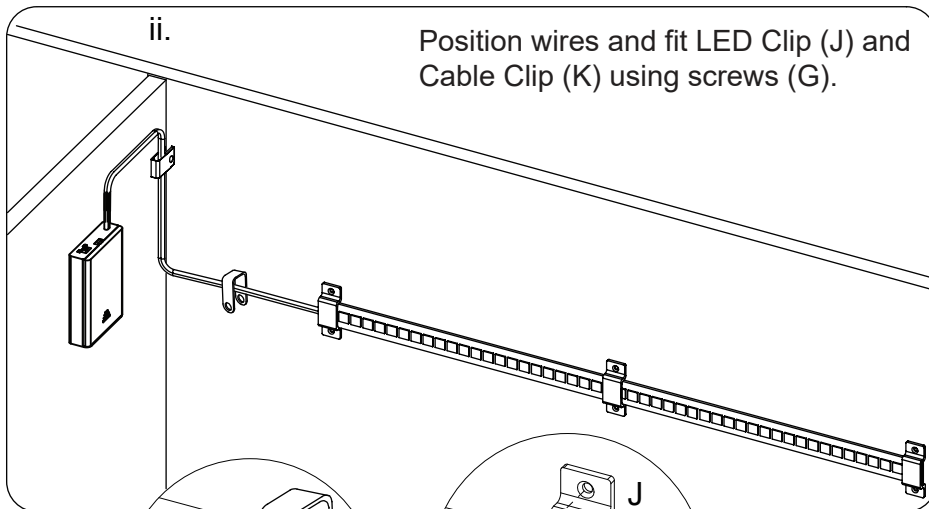
For this step:
Tools required



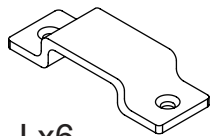
Fittings required



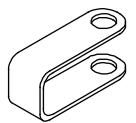
H x2



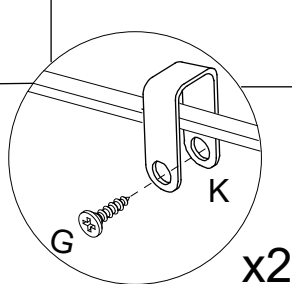
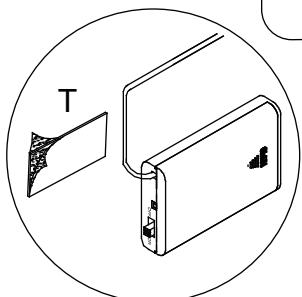
G x16



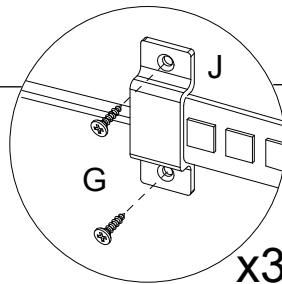
J x6



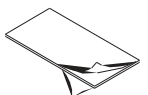
K x4



x2

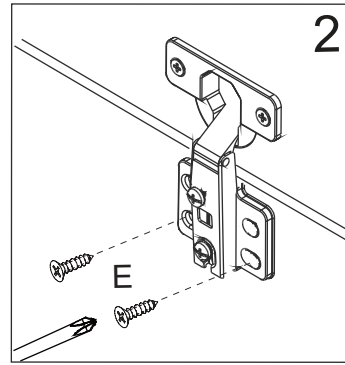
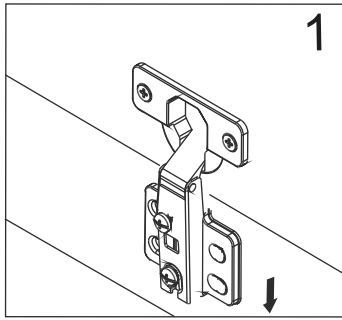
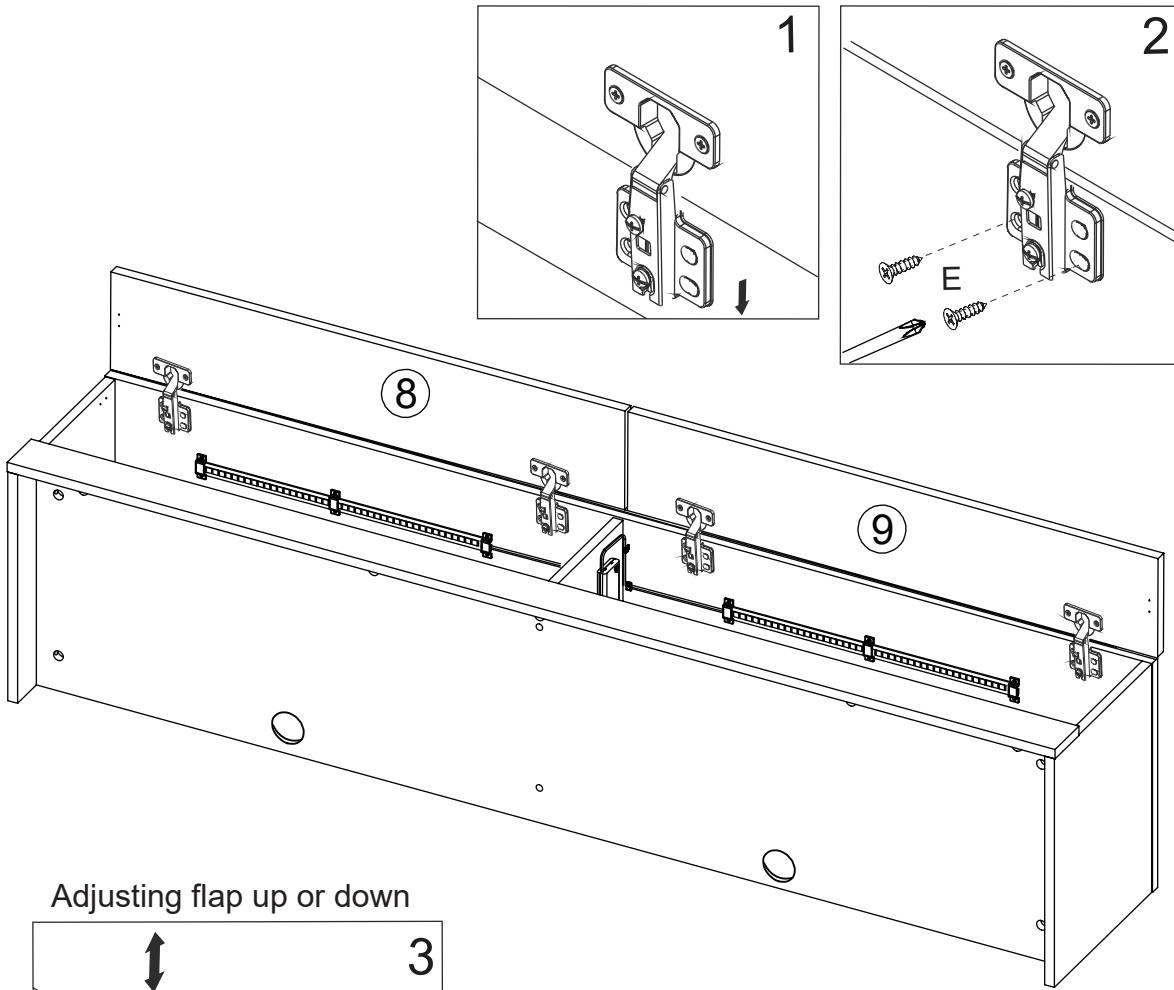


x3

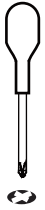


T x2

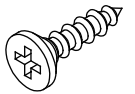
STEP 10



For this step:
Tools required

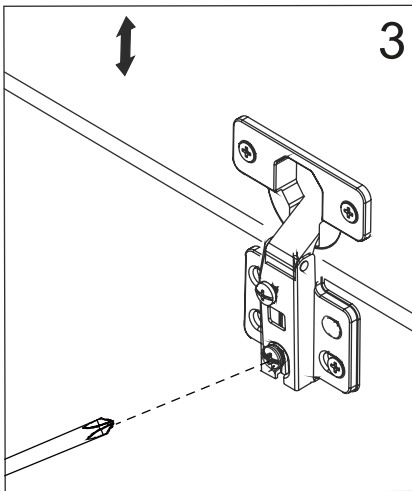


Fittings required

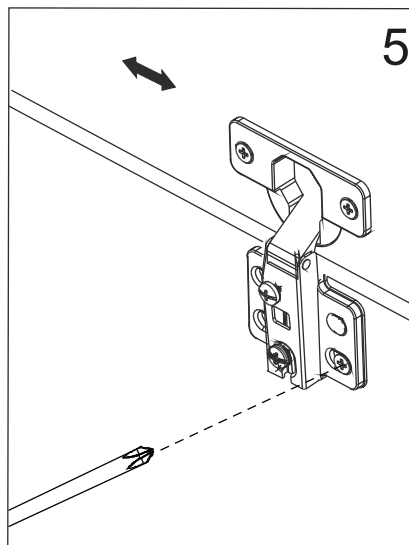


E x8

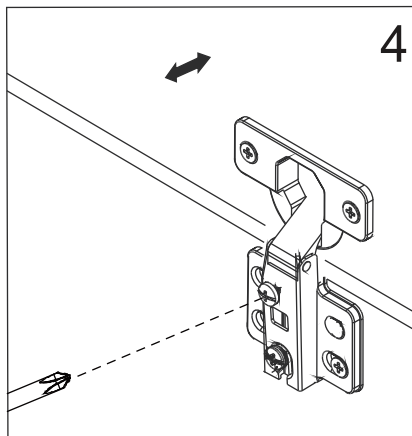
Adjusting flap up or down



Adjusting flap left or right

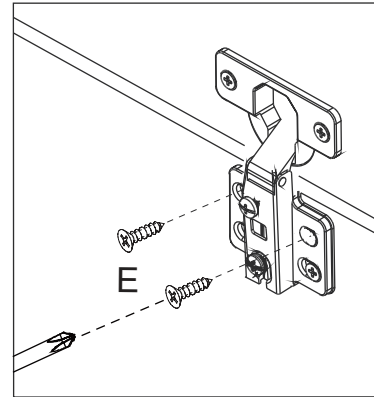
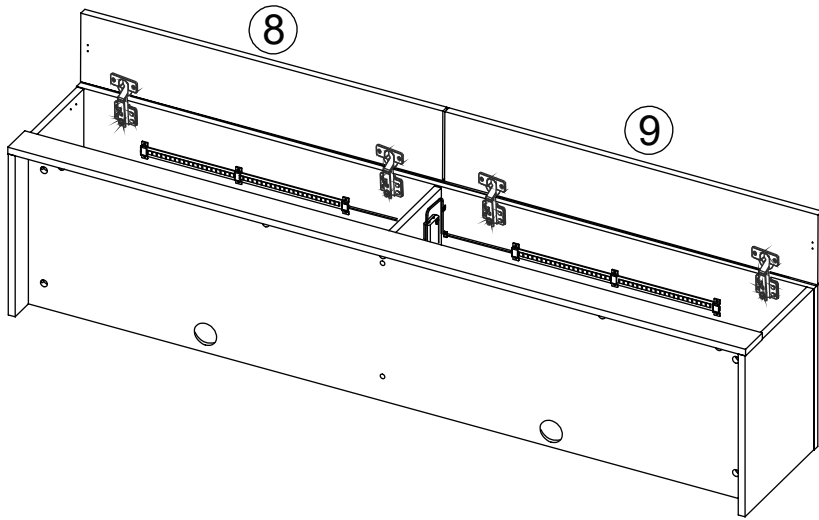


Adjusting flap in or out



STEP 11

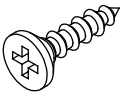
Once flaps have been adjusted vertically. Fit screws (E) to fix plates (Q) in their final position.



For this step:
Tools required

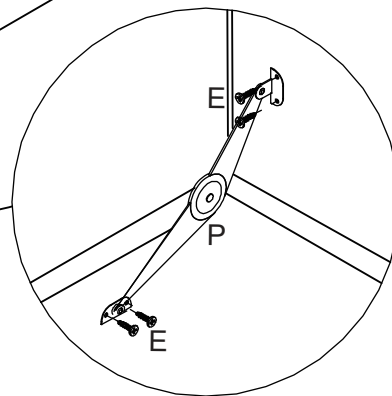
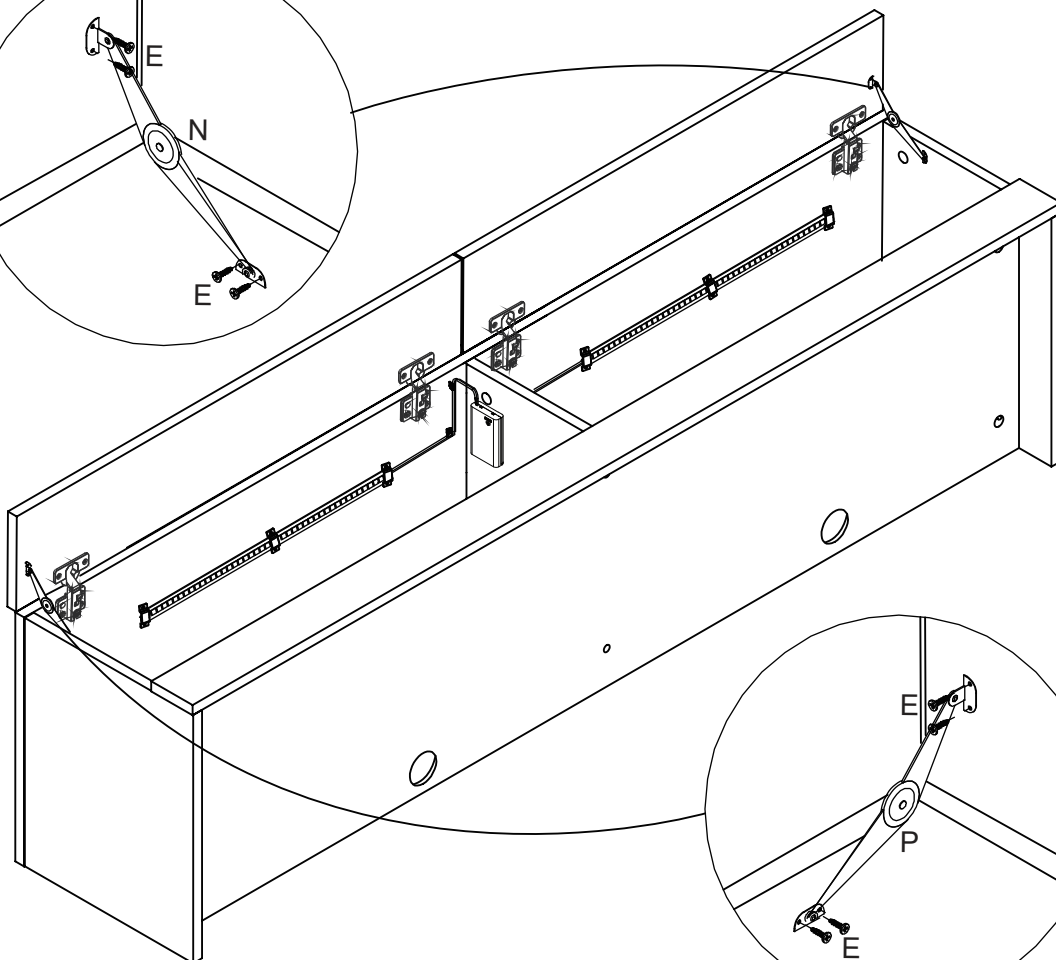
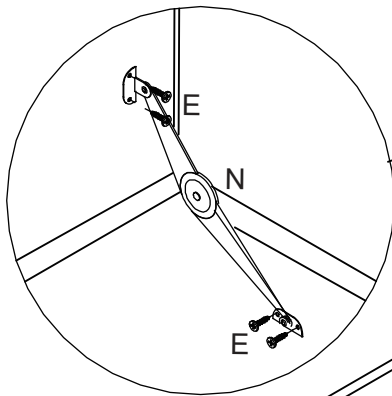


Fittings required

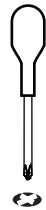


E x8

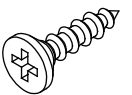
STEP 12



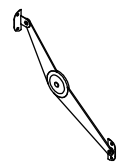
For this step:
Tools required



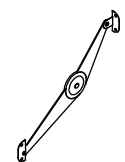
Fittings required



E x8



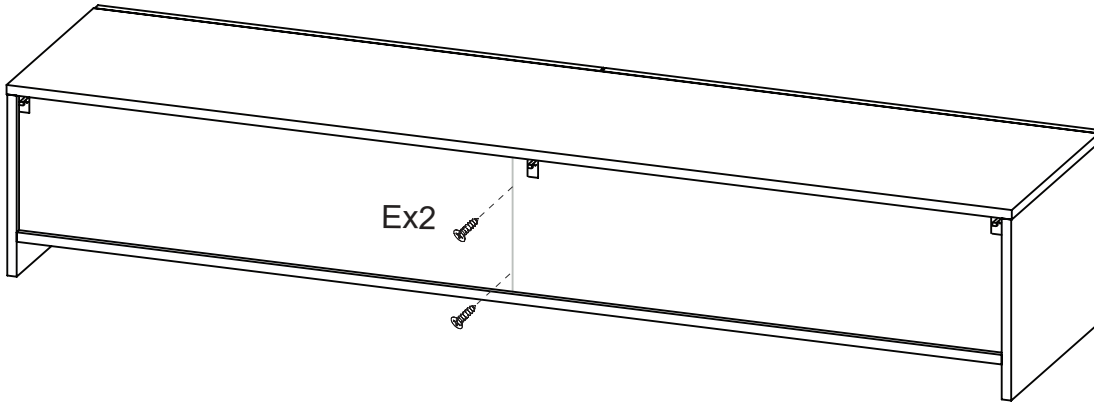
N x1



P x1

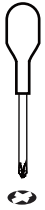
STEP 13

CAREFULLY FOLLOW THESE INSTALLATION INSTRUCTIONS

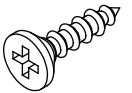


For this step:

Tools required



Fittings required

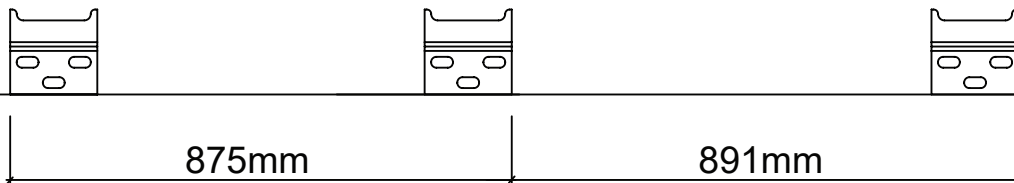


E x2

STEP 14

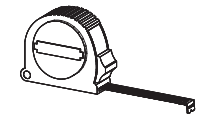
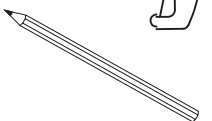
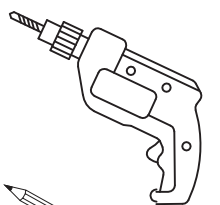
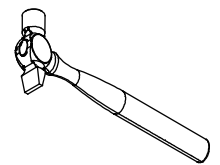
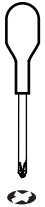
NOTE THE DIMENSIONS ARE DIFFERENT, CENTRE BRACKET IS OFFSET

same
horizontal
level



For this step:

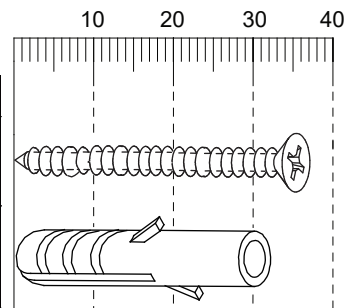
Tools required



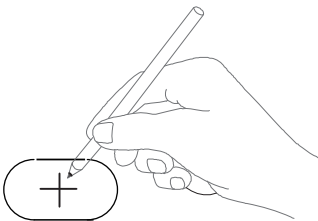
Warning: Always ensure the area to be drilled is free from hidden electrical wires, water or gas pipes.

RECOMMENDATION FOR
A NORMAL BLOCK WALL

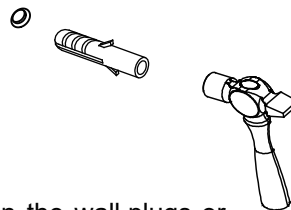
Item	Quantity
Screw (Ø4x35mm)	9
Wall Plug (Ø6x30mm)	9



I Decide on the height you want the cabinet to be then holding one bracket level, mark dead-centre of the three holes. Following the diagram, position and mark holes in the second & third brackets.

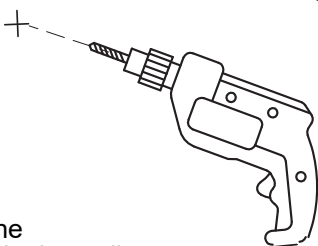


III



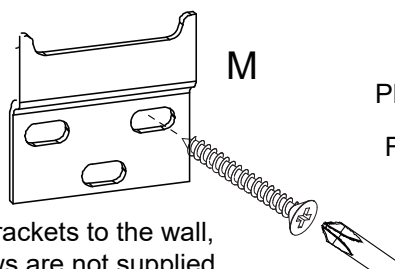
Knock in the wall plugs or other suitable wall fixings.

II



Drill the holes in the wall.

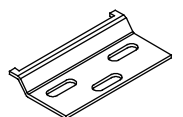
IV



Fix brackets to the wall, screws are not supplied.

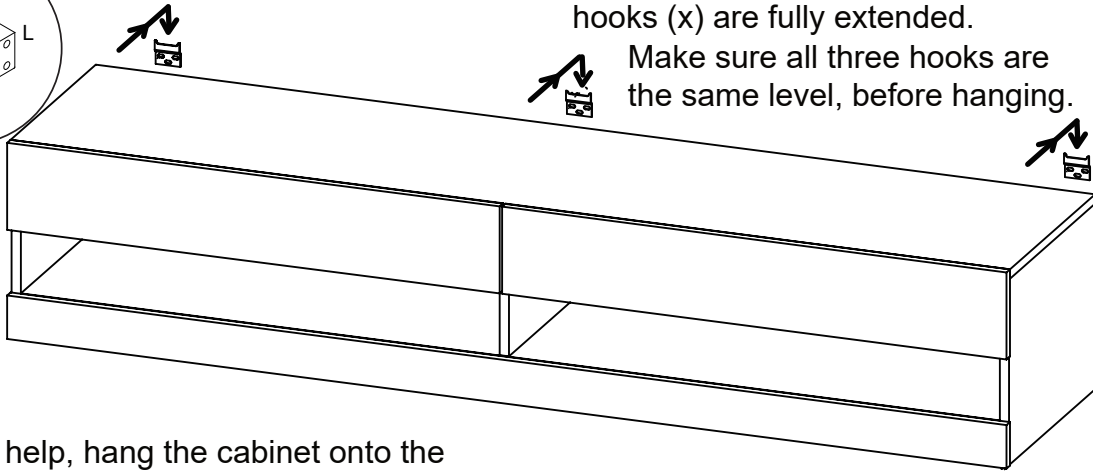
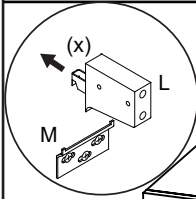
FOR SAFETY,
PLEASE USE ALL
THREE WALL
FIXINGS IN THE
BRACKET

Fittings required



M x3

STEP 15

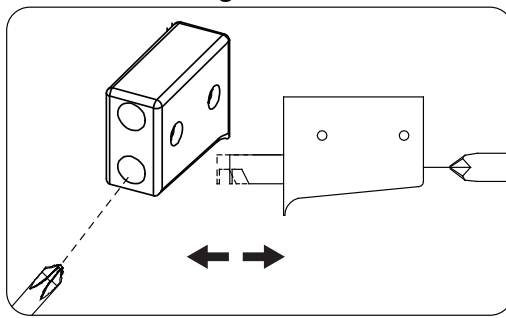
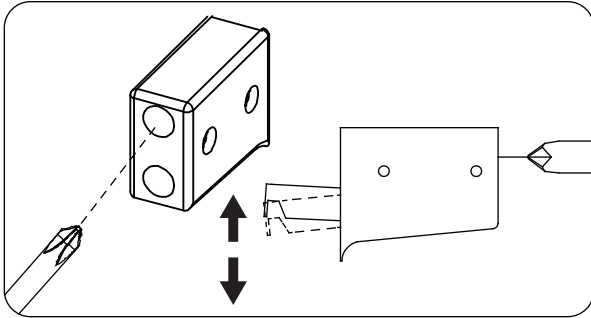


- i. On the hanging supports, make sure hooks (x) are fully extended.
 Make sure all three hooks are the same level, before hanging.

For this step:
Tools required

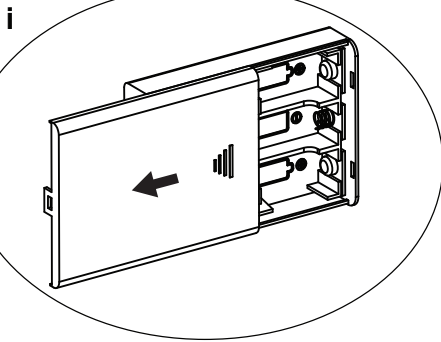
- ii. With help, hang the cabinet onto the metal wall brackets by carefully aligning the end panels so they just miss the ends of the brackets. Turn upper screw(s) on all three supports until unit is horizontal.

- iii. When unit is hanging on the brackets, tighten lower screws clockwise, so clamping unit to wall - do not over-tighten.

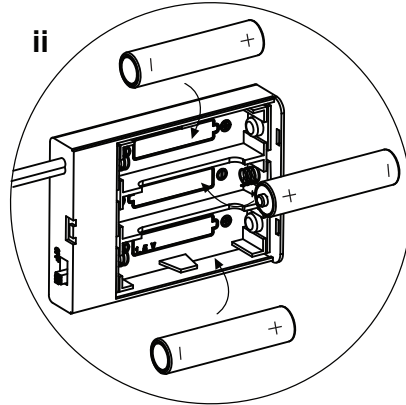


CHANGING THE BATTERIES

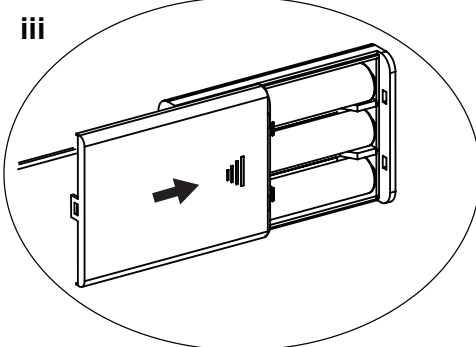
SLIDE OFF THE LID



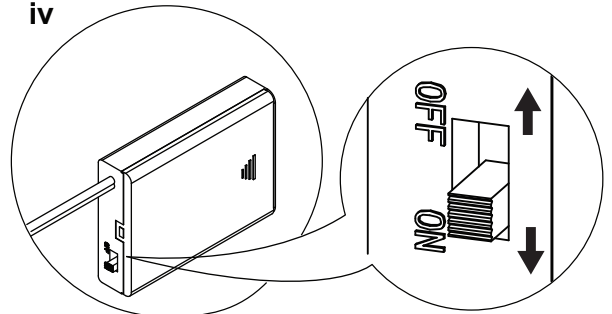
CHANGE BATTERIES



SLIDE LID BACK ON



iv



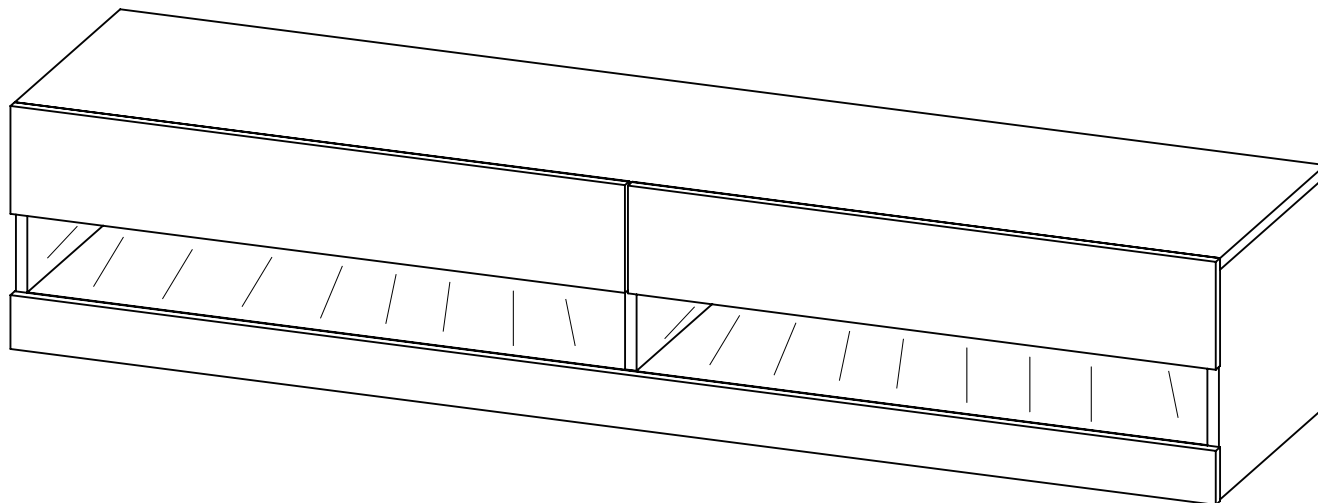
USE GOOD QUALITY AA BATTERIES. FOR BEST RESULTS USE RE-CHARGEABLES.

Assembly Completed

Your Leon Wall TV Unit is now completely assembled.

Periodically check to ensure that the components are in their proper position, free from damage.

Also, make sure the connectors are tight and secure.



Keep instructions for future reference

