



Assembly Instructions

Thank you for
purchasing a
Birlea product.

For a chance to win a Love 2 Shop voucher simply post a picture of your new product on your preferred social channels tagging Birlea Furniture and using the hashtag **#ShareYourStyle** and **#Birlea**. One winner will be selected at random each month.

To view our full terms and conditions please visit www.birlea.com

Are you happy with your purchase?

Yes: That's great, we would love to hear more from you. Please leave us a review on our social media channels or Trustpilot. Your feedback will be greatly appreciated.

No: If for any reason there is something missing, indifferent or incorrect with your order, please contact the retailer you purchased the item from. We will work with the retailer to resolve your issue as quickly as possible.



HALFDEN OTTOMAN - Double

Assembly Instructions

Before you begin...

1. Please check in your desired room of use.
2. Unpack all boxes and lay out each component on the floor.
3. Check your product for any damage that may be immediately obvious. If damage is identified, please contact your retailer.
4. Please read through these instructions thoroughly to ensure you have constructed your bed correctly.

For Care and Maintenance of your bed...

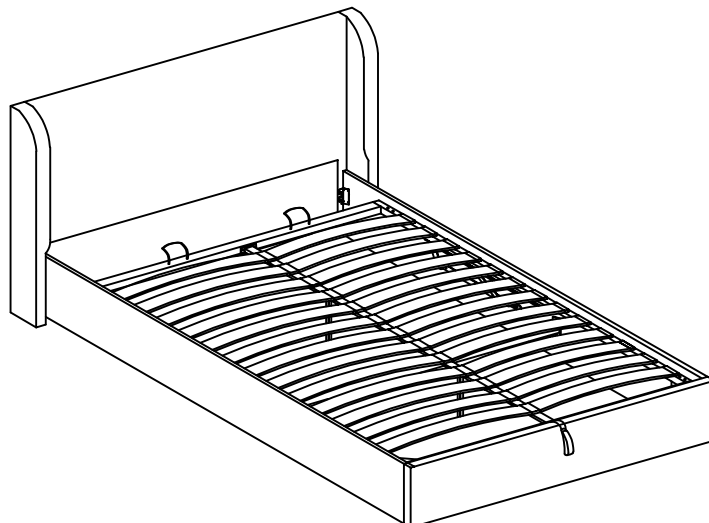
- Always assemble in your desired room of use.
- Always check all screw and fixings periodically to ensure they are still secure.
- Do not push or pull this bed as it will cause damage.
- Always lift this bed with a second person to prevent damage or injury.
- Keep any sharp objects away from this bed frame.

For your Health and Safety...

- Please don't not jump on this bed.
- Do not use this bed if you find missing, damaged or worn parts. Please contact your retailer.
- Please do not use this bed until you have fully secure all fixings.
- Please keep all small components away from children.
- Please ensure this bed is on an even, level surface.

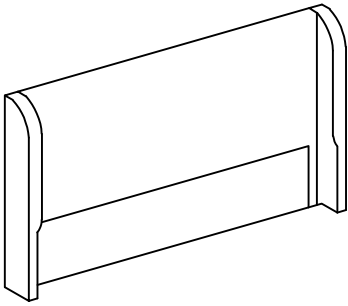
Also...

If your desired room of choice has a non-carpeted surface ensure please that you use some form of protection and **do not** place directly on the wooden floor. This will prevent the bed from moving and therefore collapsing which will void your guarantee...





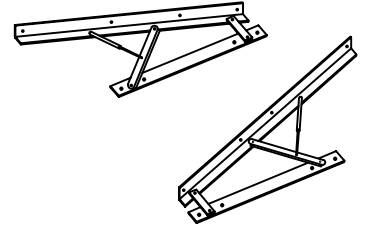
Box 1



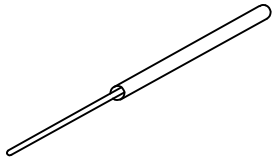
1.Headboard (x1)



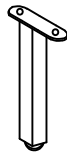
6.Slat (x28)



4.Pump Mounting Bracket (x2)



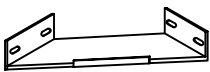
5.Gas Spring (x2)



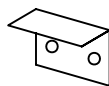
11.Support Leg (x2)



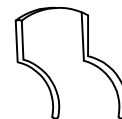
12.Frame Strap (x1)



13.Corner Bracket (x2)



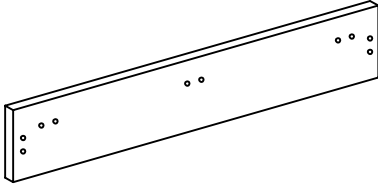
14.Center Bracket (x1)



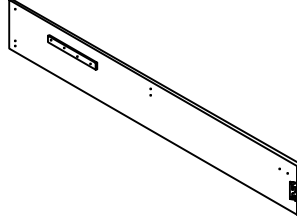
15.Mattress stopper (x2)



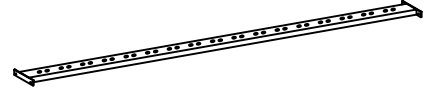
Box 2



2.Footboard (x1)



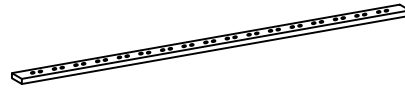
3.Side Rail (L/R) (x2)



7.Centre Rail (x1)



8.Cross Metal Bar (x1)



9.Side Rail Metal Bar (x2)



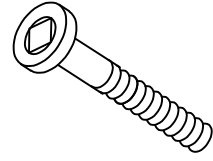
10.Headboard and Footboard Metal Bar (x2)



A.M6 x 20 mm (x8)



B.M8 x 20 mm (x22)



C.M8 x 50 mm (x12)



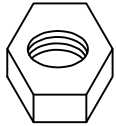
D.M8 Spring Washers (x8)



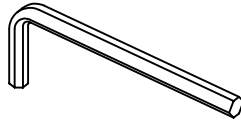
E. M8 Flat Washers (x26)



F. M6 Flat Washers (x8)



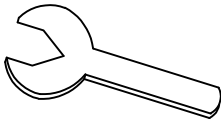
G. M8 Hex Nut (x12)



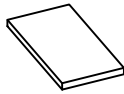
H.Allen Key M4 x 65 mm (x1)



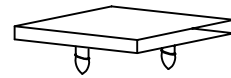
I.Allen Key M5 x 70 mm (x1)



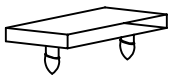
J.M8 Spanner (x1)



K.Protective Pad (x9)



L.Double Slat Cap (x14)

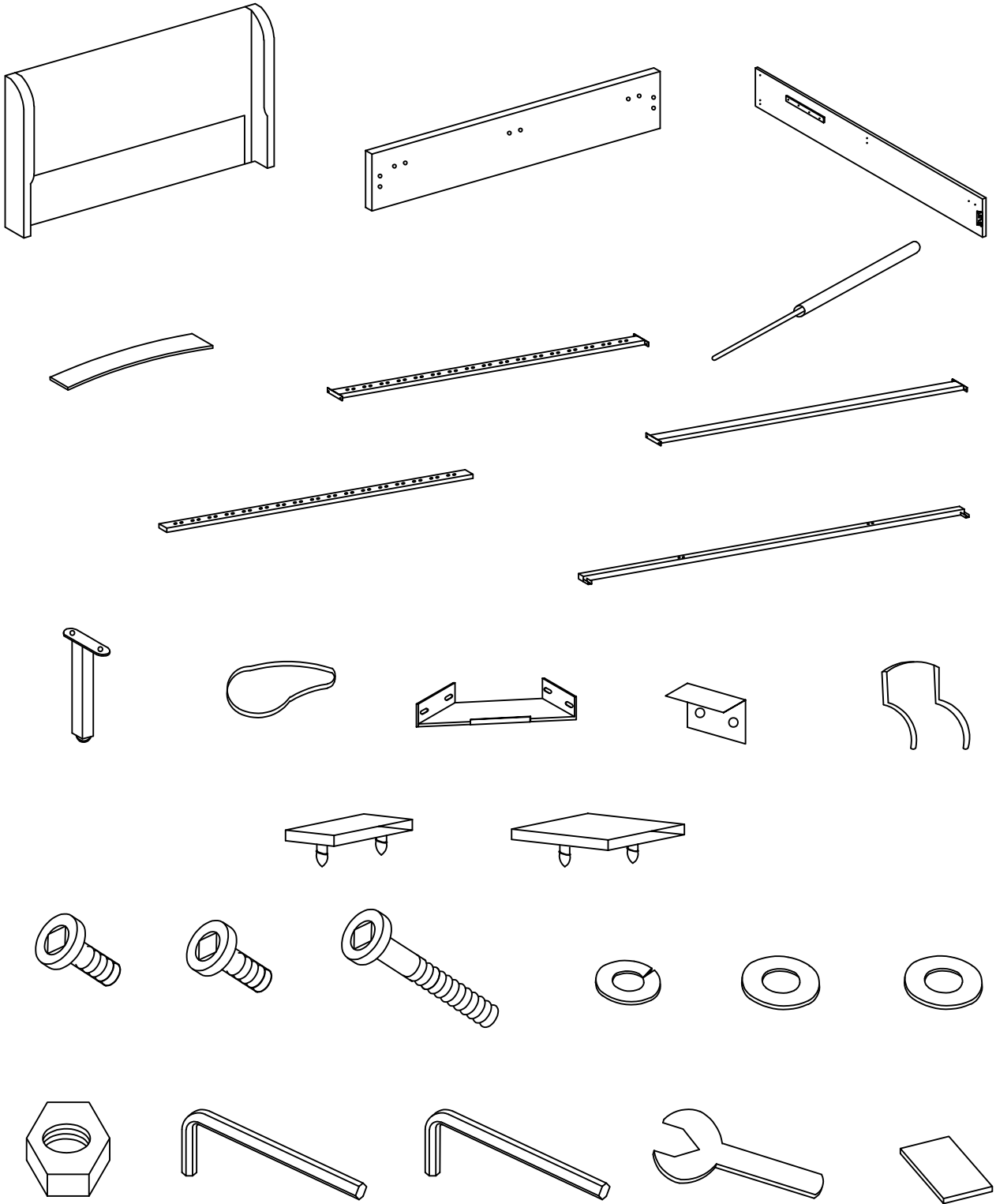


M.Single Slat Cap (x28)

*You will need a screwdriver (not provided)

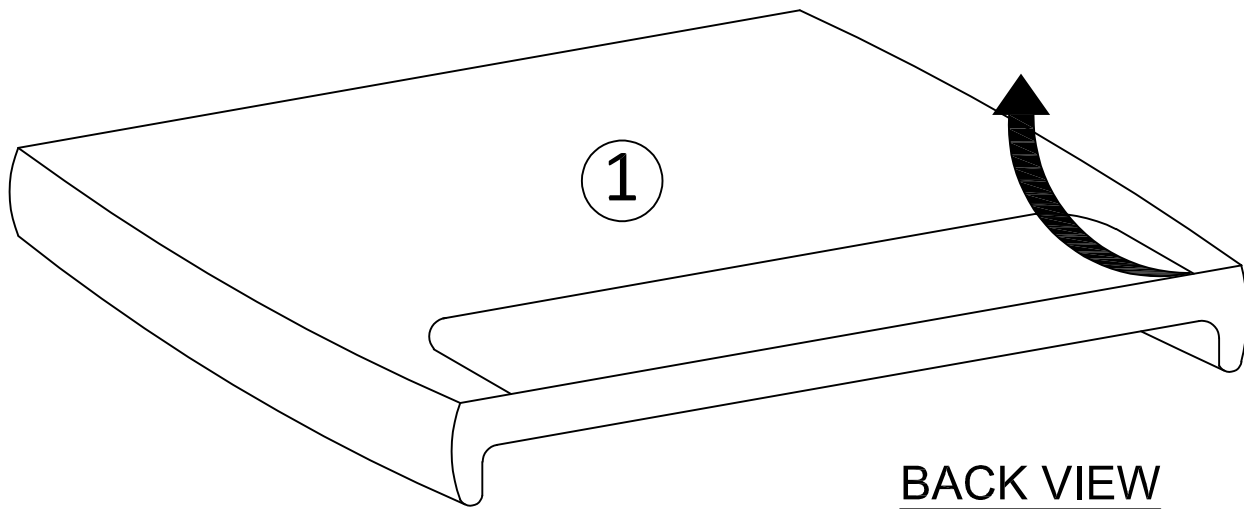
Step 1

Unpack all components from the boxes and check you are not missing anything. Please check these against the list on page 3 , 4 & 5 Should you identify any missing components, please contact the retailer you purchased the bed from.



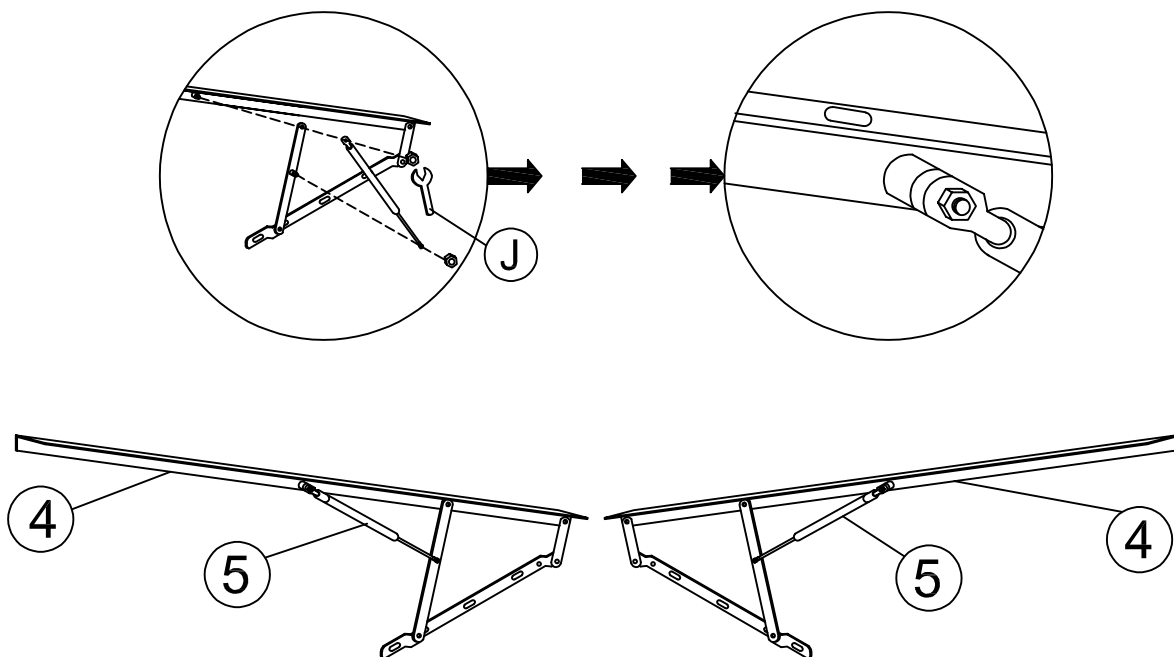
Step 2

Unzip the black non-woven fabric on the back of headboard and take out fitting box.



Step 3

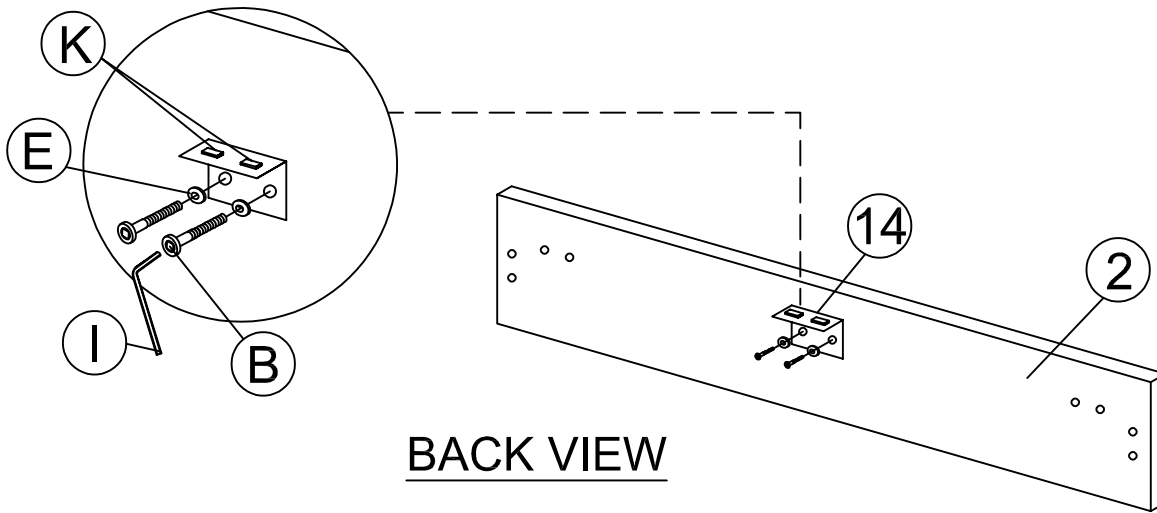
Unscrew the Pre-attached hex-nut of 2x Gas Spring (5) and attach it back again as shown. Please fully tighten the nut using 1x M8 Spanner (J).



DO NOT use any power tools as this may damage the frame and will invalidate any claim.

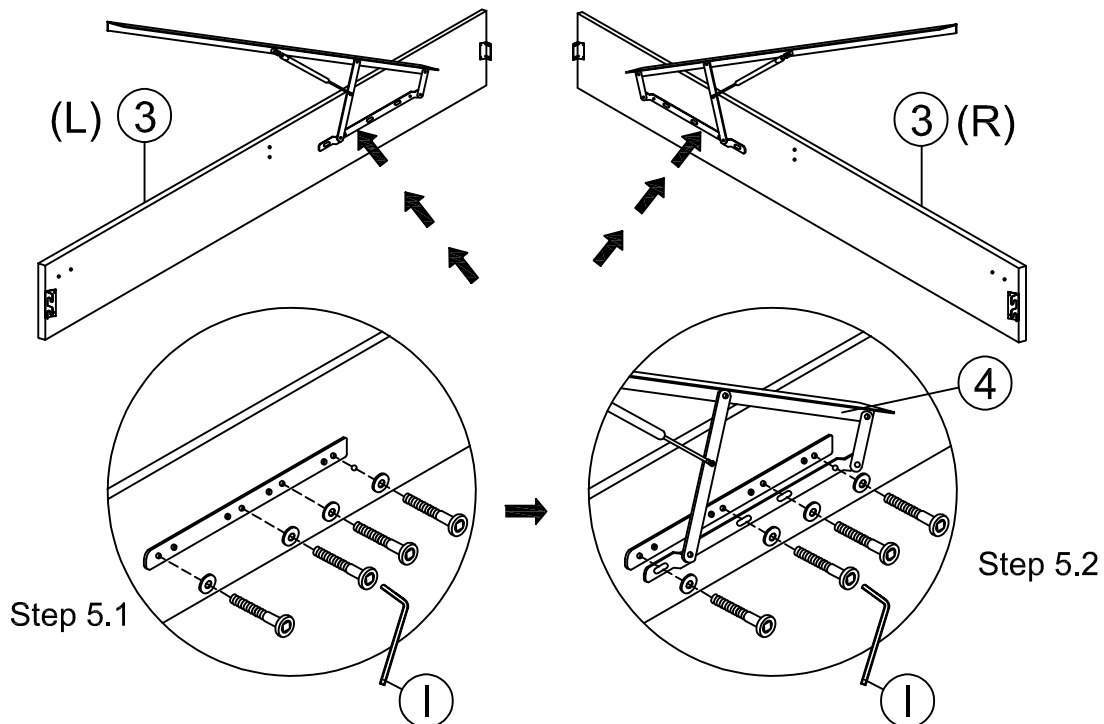
Step 4

Attach 1 x center bracket (14) to 1 x footboard as shown using Part B and E. Attach the 2 x protective pads (K) to the top of part 14 as shown.



Step 5

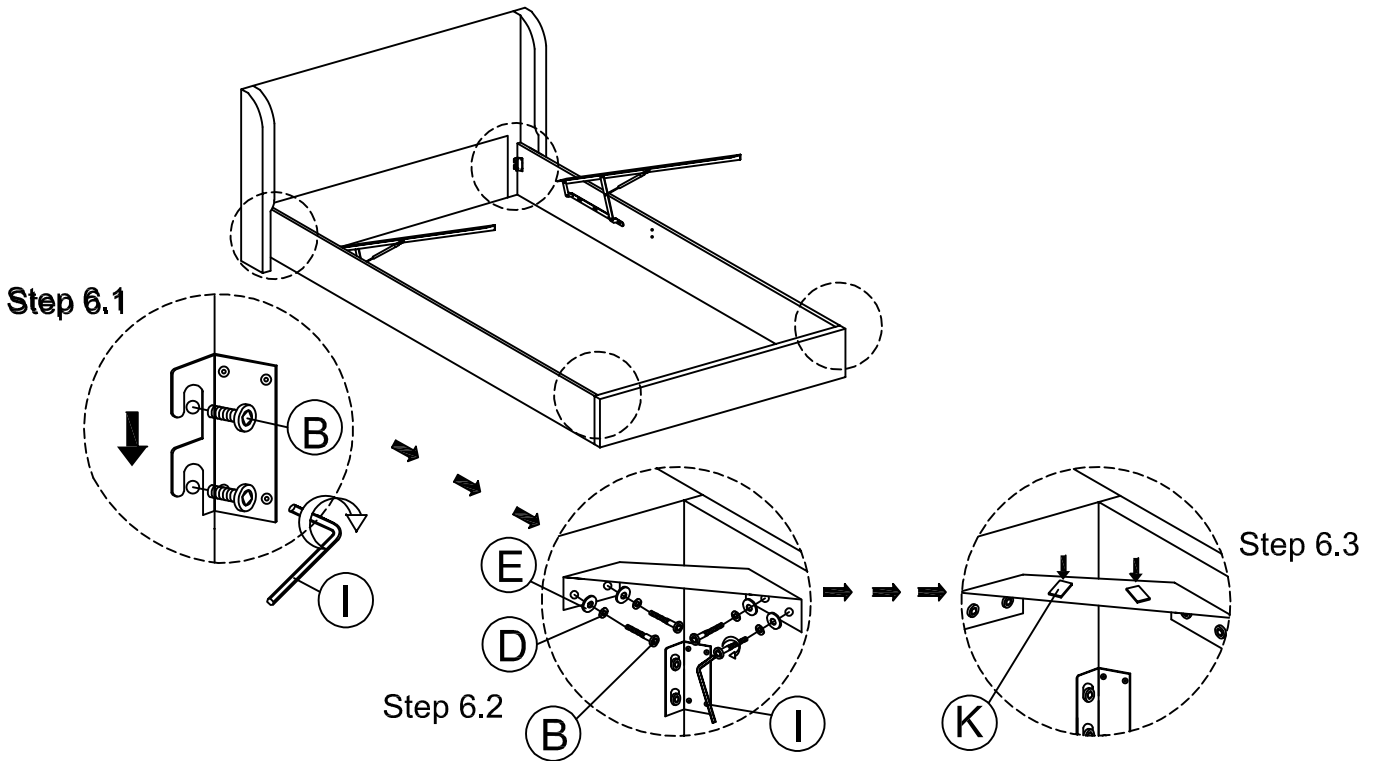
Unscrew the Pre-attached bolts of bracket base on side rail (3) and re-attach them back to the 2 x pump mounting bracket (4) as shown. Please fully tighten with 1x allen key (I).



DO NOT use any power tools as this may damage the frame and will invalidate any claim.

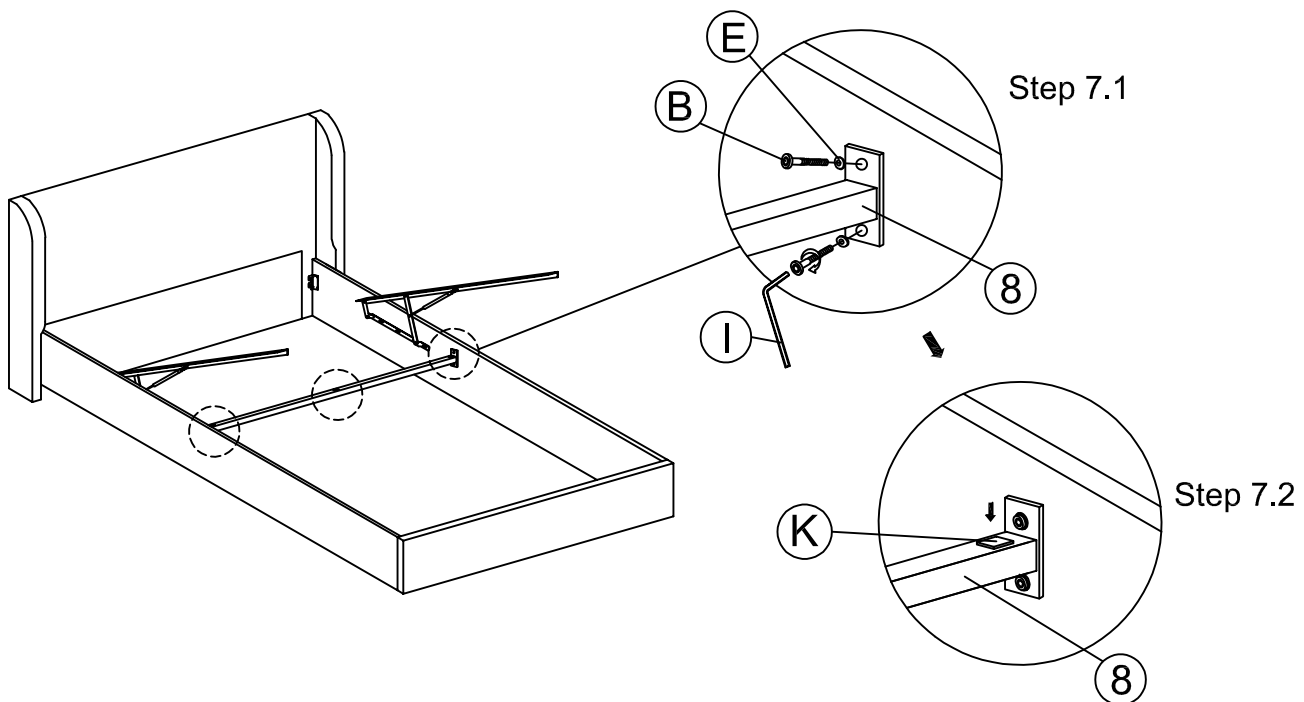
Step 6

Insert part (B) x 4 into part headboard (1) and part (B) x 4 into part footboard (2) (Do not fully tighten). Attach side rails (3) by slotting the bracket onto the bolts. Attach 2 x corner bracket (13) to 1 x footboard (2) and side rails (3). Attach the 2 x protective pads (K) to the 2 x corner bracket (13).



Step 7

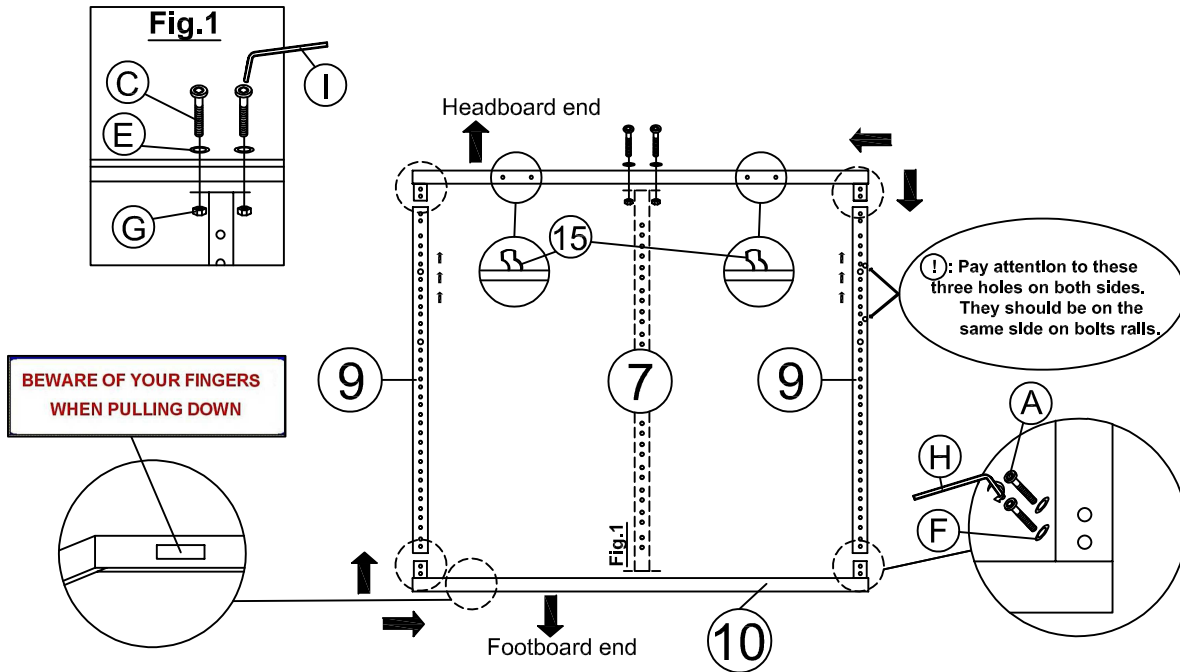
Attach 1 x Cross Metal Bar (8) to the 2 x side rail (3R/L) using parts B, E, I as shown. Attach the 3 x protective pads (K) to the 1 x Cross Metal Bar (8) on the side rails (3).



DO NOT use any power tools as this may damage the frame and will invalidate any claim.

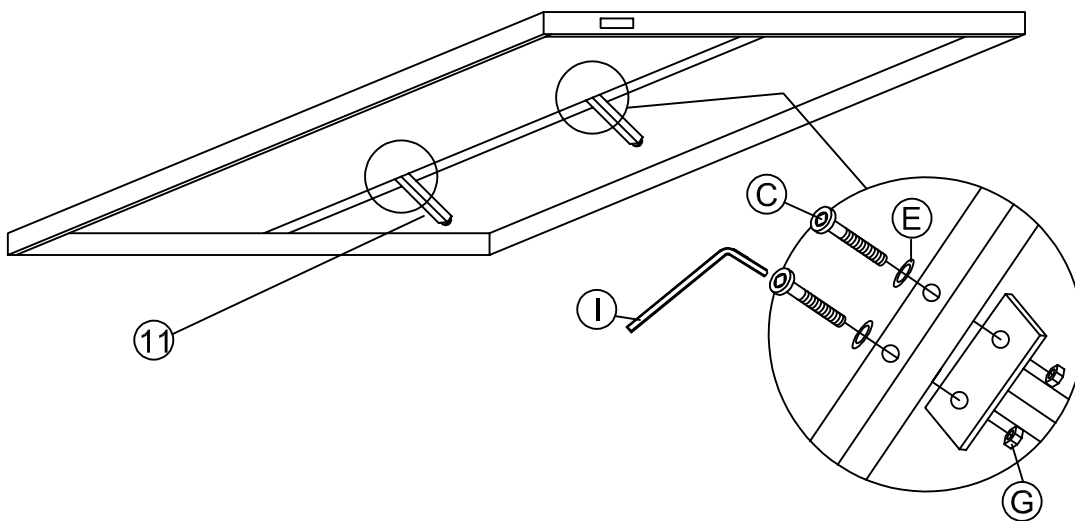
Step 8

Firstly, Attach the 1x centre rail (7) to the 2 x Headboard and Footboard Metal Bar (10) using 4x M8 x 50 mm bolts (C), 4x M8 Flat Washer (E) and 4x M8 Hex Nut (G). Tighten all the fitting accordingly using 8x M6 x 20 mm bolts (C), 8x M6 Flat Washer (F) and 1x Allen Key M4 x 65 mm (H).



Step 9

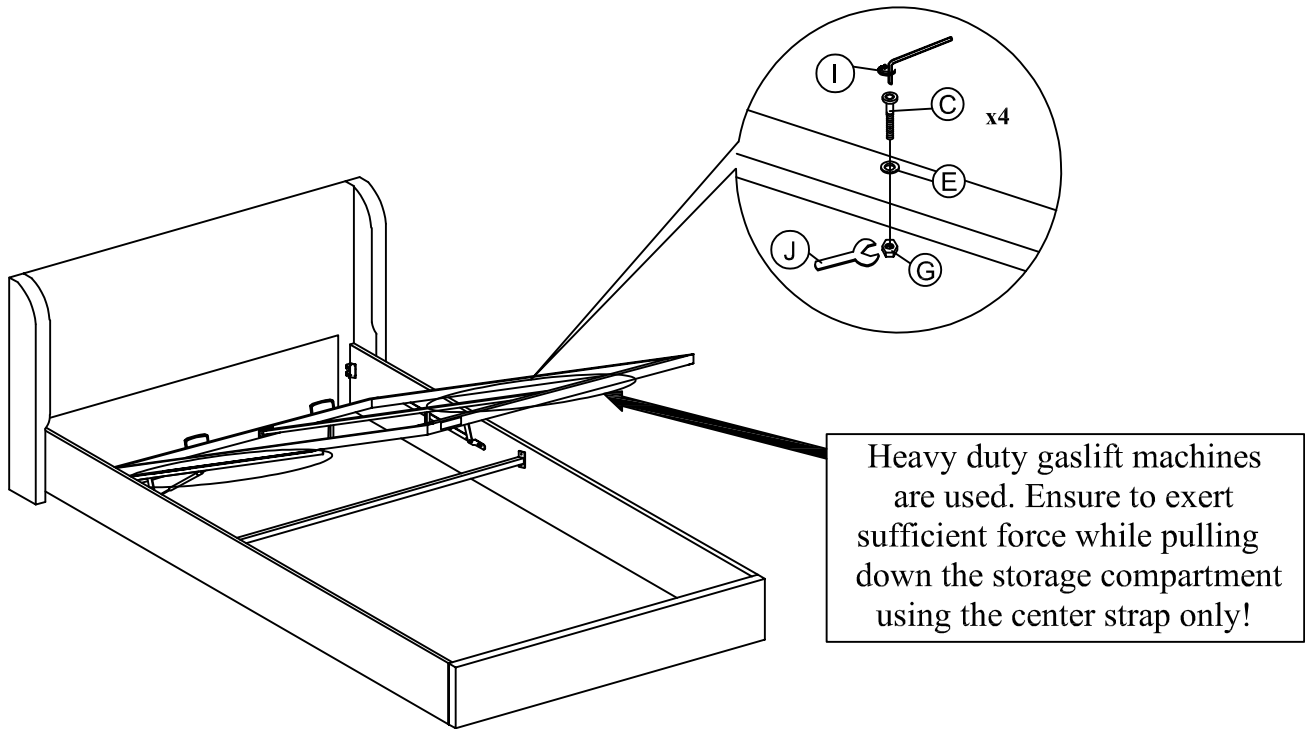
Attach the 2x Support Leg (11) to 1x Centre Rail (7) using 4x M8x50mm bolts (C), 4x M8 Flat Washer (E), 4x M8 Hex Nut (G) and 1x M5 Allen Key (I).



DO NOT use any power tools as this may damage the frame and will invalidate any claim.

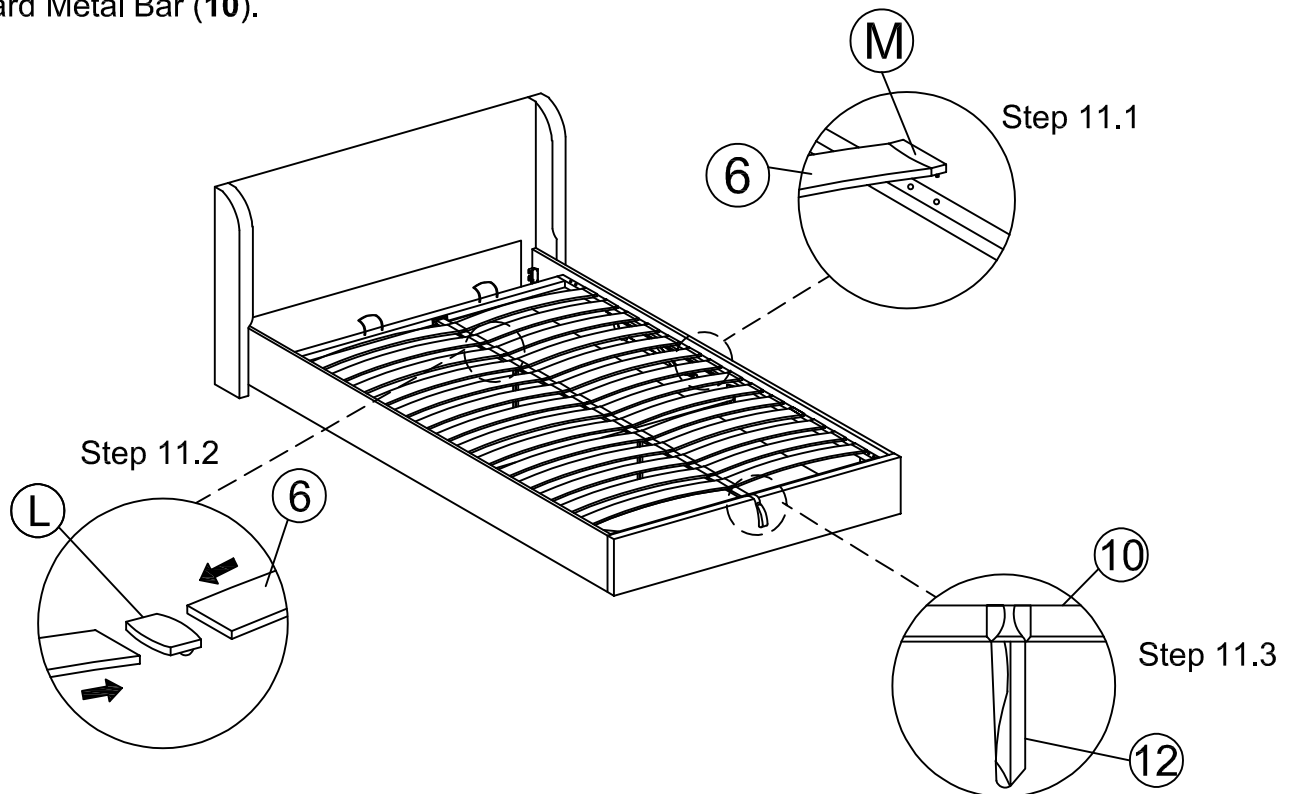
Step 10

Attach the Frame (7,8,9,10) to the 2 x pump mounting bracket (4) using 4x M8 x 50 mm bolts (C), 4x M8 Flat Washer (E), 4x M8 Hex Nut (G) and using 1x M8 Spanner (J).



Step 11

Slot the 30x slats (6) into the 14x double slat caps (L) and then into 28x Single slat caps (M). Press firmly into the holes located on the 2x side rails (3) and 1x centre rail (7). Tighten the frame lifter (12) to the 1 x Footboard Metal Bar (10).



DO NOT use any power tools as this may damage the frame and will invalidate any claim.