

Birlea®

Assembly Instructions

Thank you for purchasing a Birlea product

For a chance to win a Love2Shop voucher simply post a picture of your new product on your preferred social channels tagging Birlea Furniture. One winner will be selected at random each month.

*Terms & conditions may apply.

Are you happy with your purchase?

Yes: That's great, we would love to hear more from you. Please leave us a review on our Trustpilot link on the QR code here. Your feedback will be greatly appreciated.



No: If for any reason there is something missing, indifferent or incorrect with your order, please contact the retailer that you purchased your item from.

Please note that this items build time is around 15 minutes with 1 man build



www.birlea.com

ASSEMBLY INSTRUCTIONS NOAH COFFEE TABLE

IMPORTANT: READ THESE INSTRUCTIONS CAREFULLY BEFORE ASSEMBLING OR USING YOUR NOAH COFFEE TABLE .

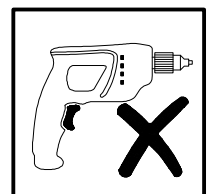
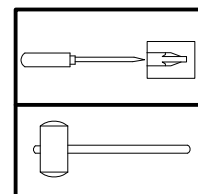
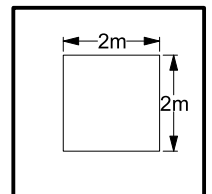
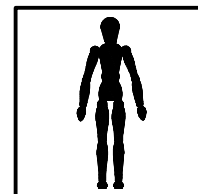
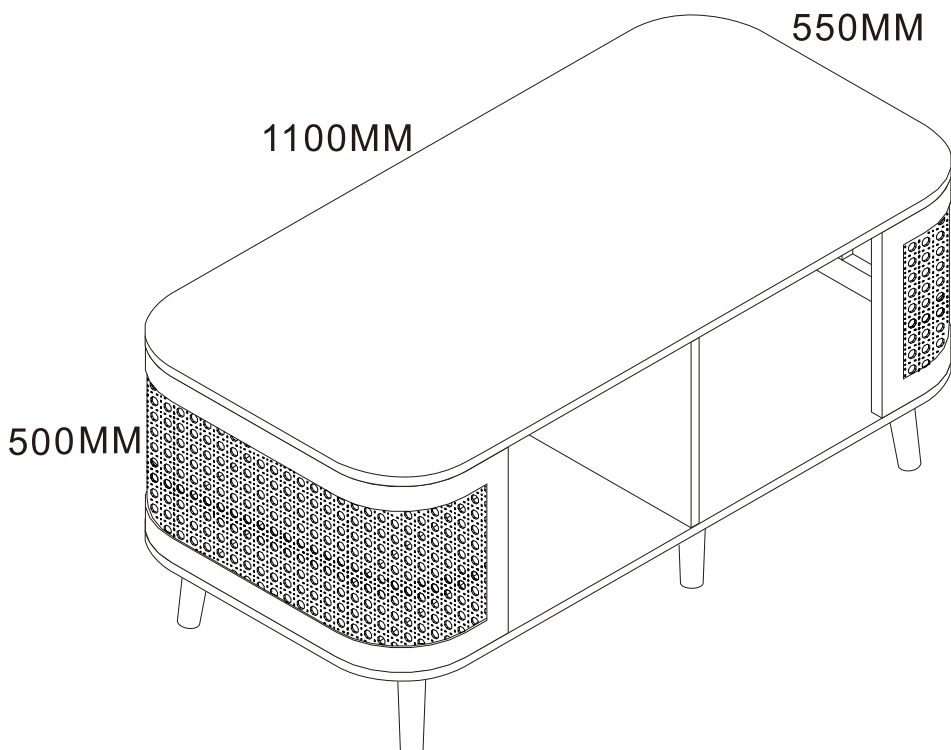
PLEASE KEEP THESE INSTRUCTIONS FOR FUTURE REFERENCE.

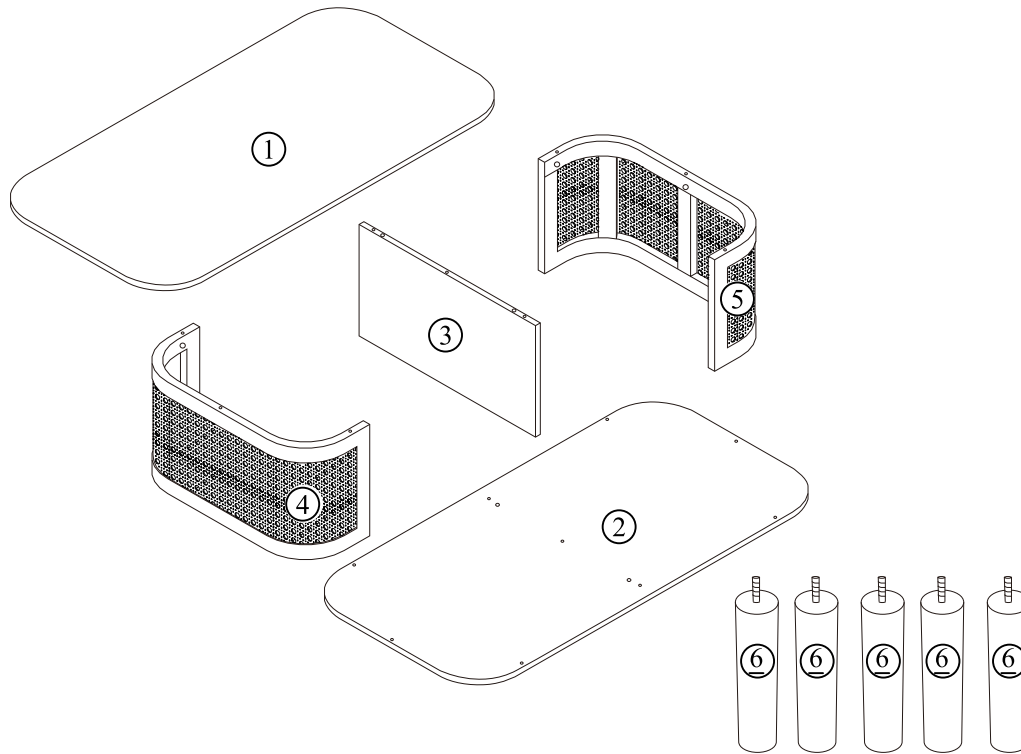
HEALTH & SAFETY:







DO NOT use this item if any parts are missing, damaged or worn.
DO NOT use this item unless all fixings are secured.
Please keep small parts out of reach of children.
Always use on a level, even surface.

CARE & MAINTENANCE:

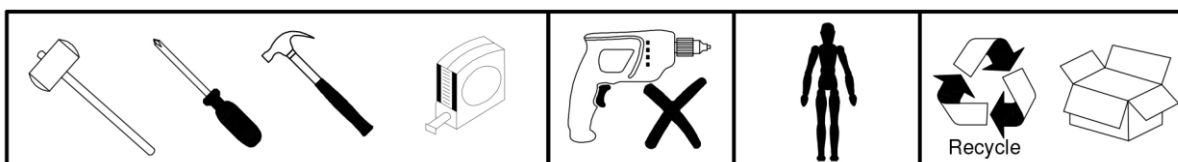
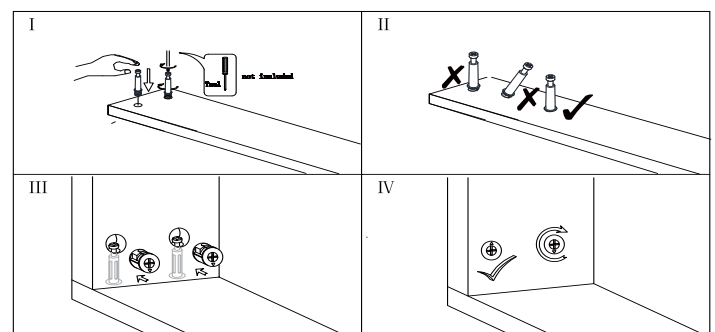
Assemble in the room of use.
Assembly should be carried out with this item laying flat, not standing upright.
Assemble on a soft, clean surface to prevent damages.
To remove the printed numbers on the pieces, use the eraser provided.
Periodically check all screws & fixings to ensure they are secure.
DO NOT push the item as this will damage the base.
Always lift the item with two people to reposition.
Keep any sharp objects away from the item.





Parts list				Parts list			
Part	Description	Box	Qty	Part	Description	Qty	
1	Cabinet Top	1	1	A	Cam Bolt M6X35MM 	9	
2	Bottom Panel	1	1	B	Cam Lock 15X10MM 	9	
3	Middle Division Panel	1	1	C	Wooden Dowel M6X30MM 	4	
4	Left Side Panel	1	1	D	Screw M4X30MM 	9	
5	Right Side Panel	1	1	E	Metal Leg Plate 	4	
6	Feet	5	5	F	Screw M4X12MM 	20	

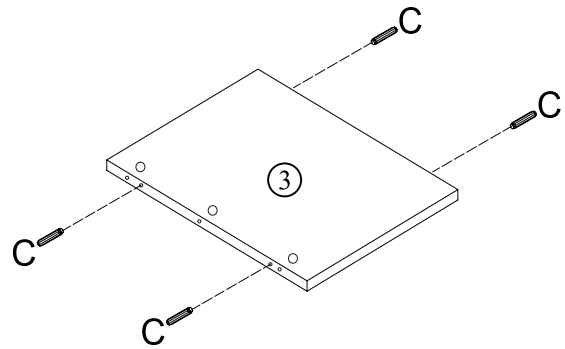
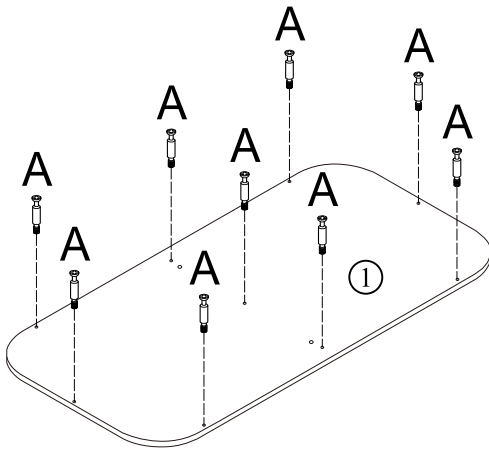
**** You will need a small mallet and a screwdriver for assembly.**
**** Some screws and wooden dowel may remain.**



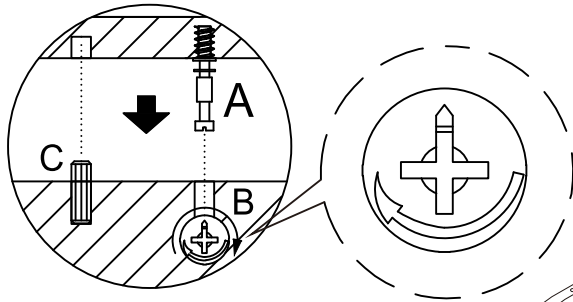
Step 1

Vendor:S000403

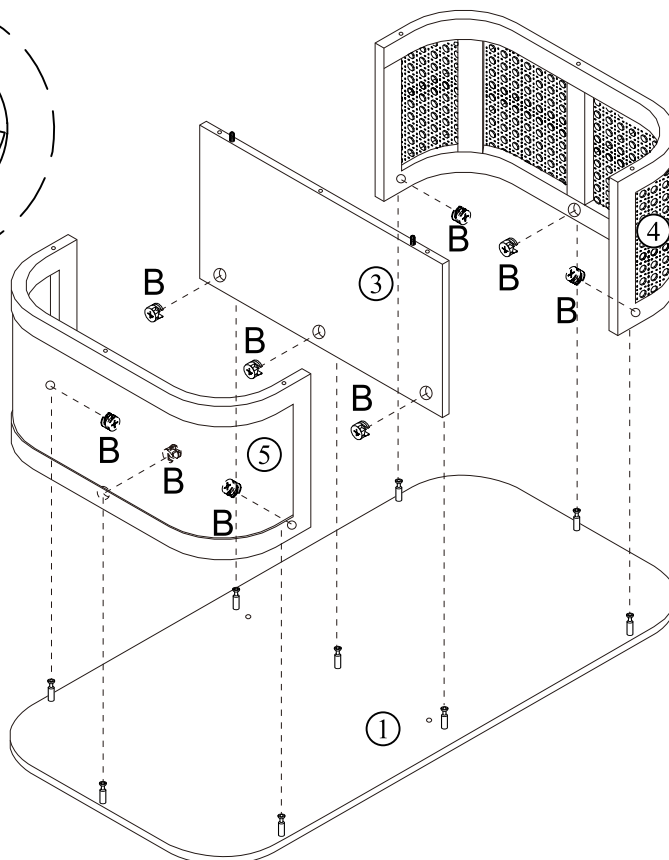
A X 9
C X 4



Step 2



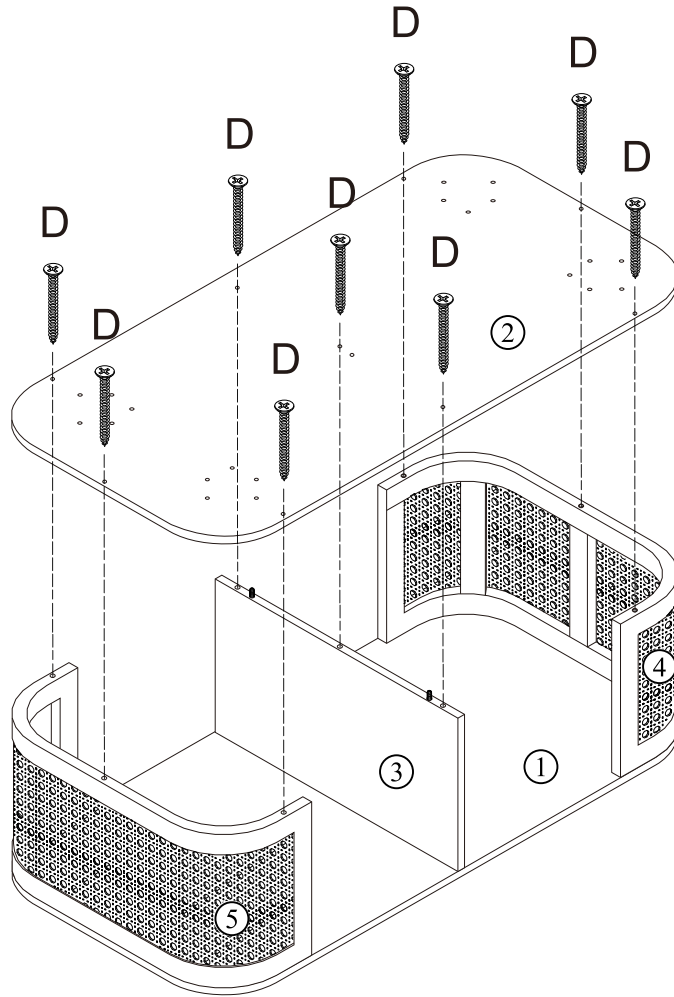
B X 9



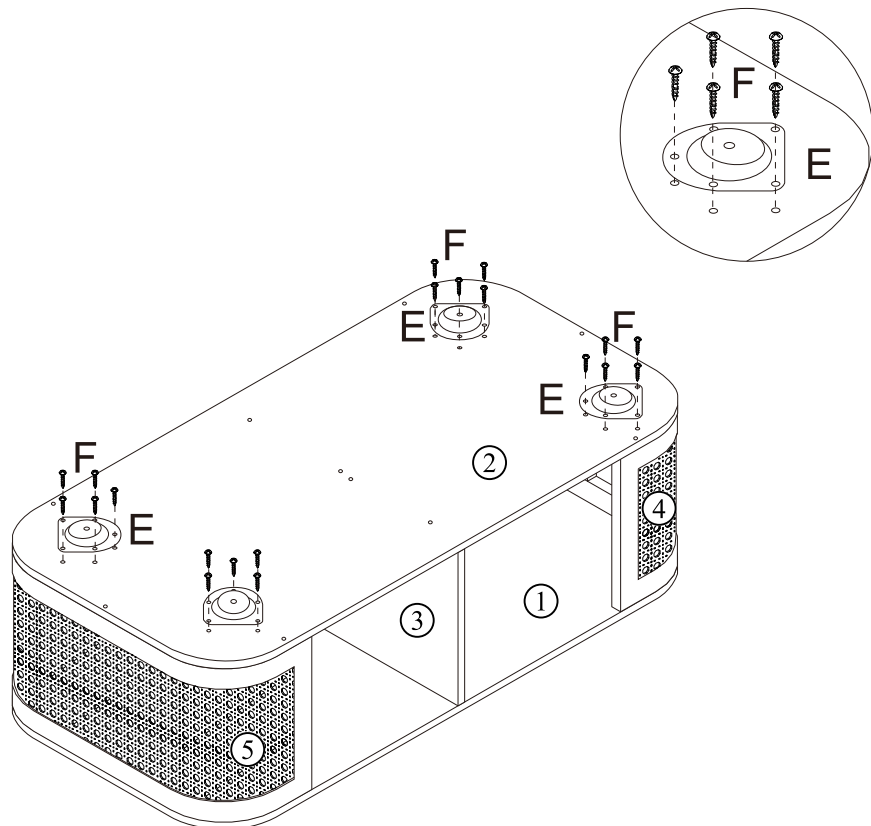
Step 3

Vendor: S000403

DX9

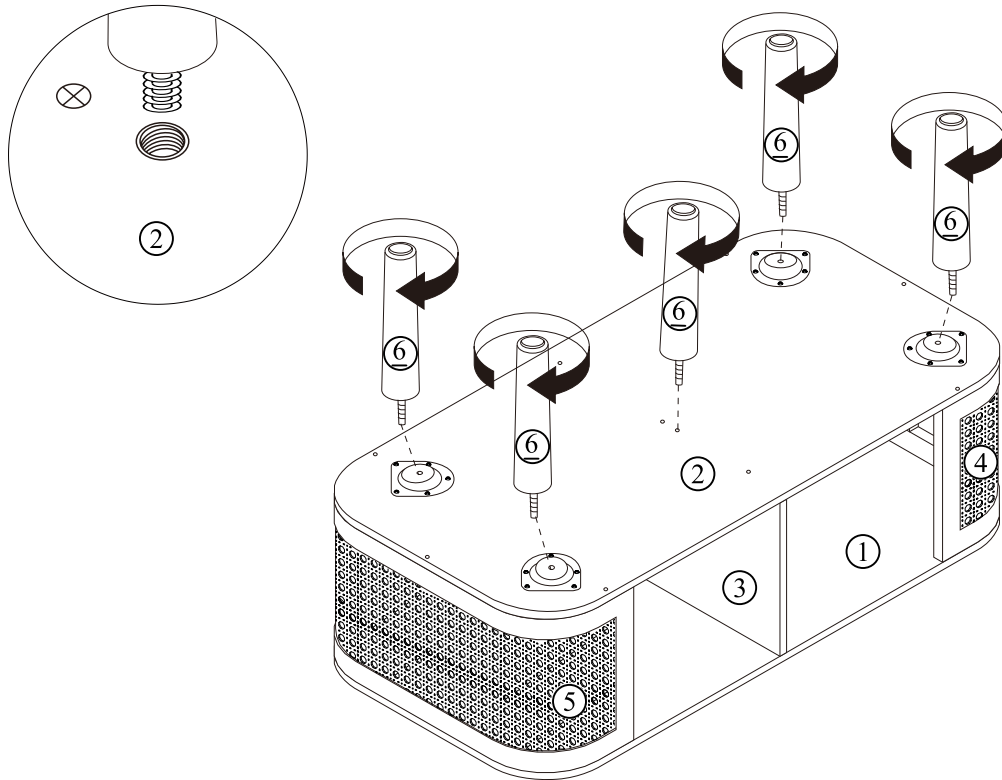


Step 4

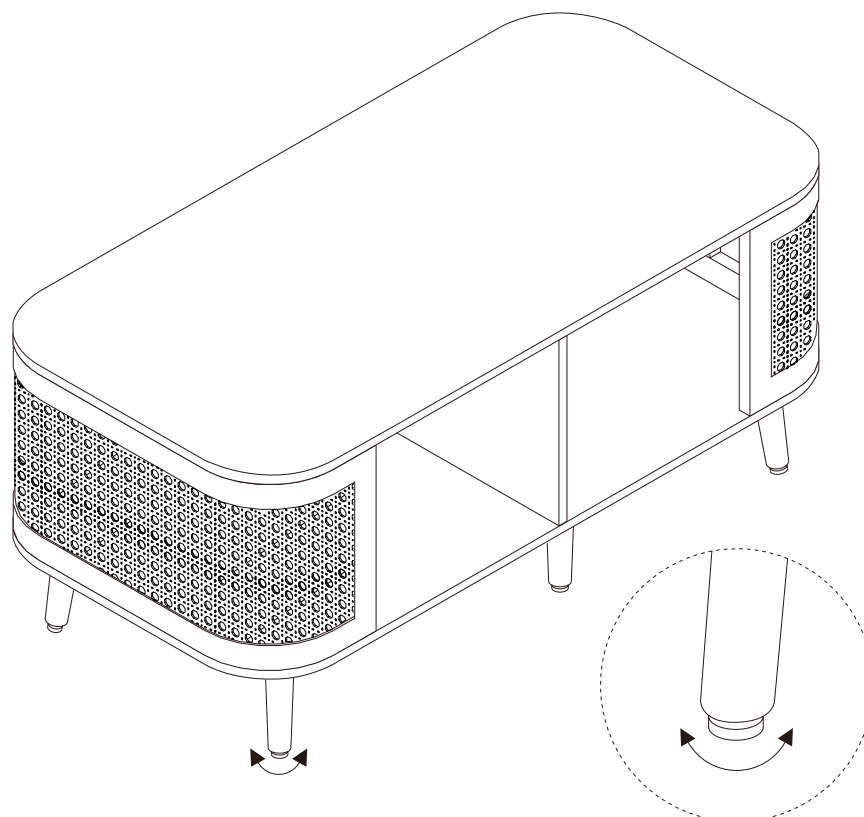


Step 5

Vendor:S000403



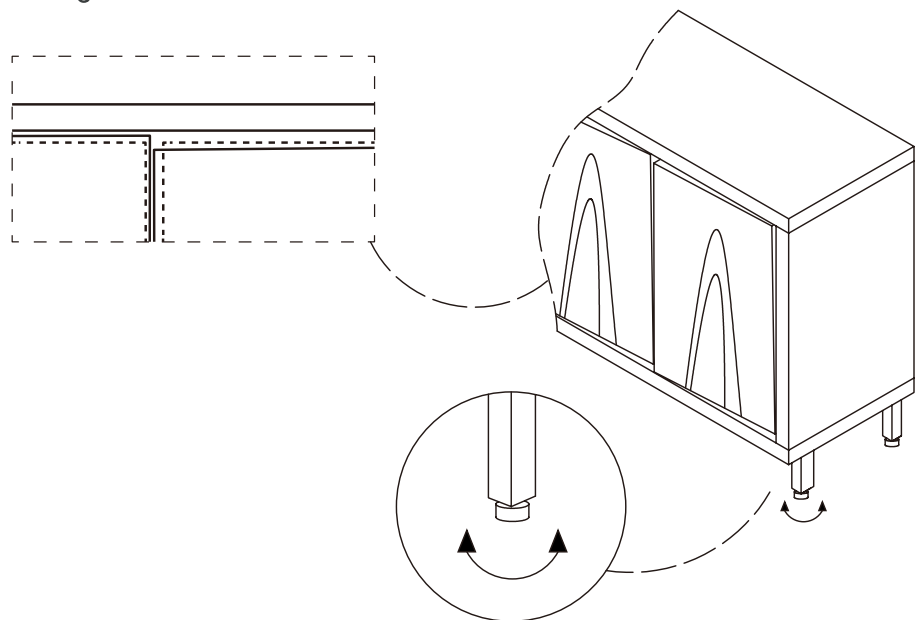
Step 6



Is your cabinet door looking crooked or unevenly spaced? (Cont.)

If you're still having trouble lining everything up, your next step should be to try to adjust the feet slightly to square up the cabinet & doors. Follow the illustrations below:

If the right door appears to be hanging low, you can adjust the adjustable leveler on the front right until the door is better aligned.



If the left door appears to be hanging low, you can adjust the adjustable leveler on the front left until the door is better aligned.

