

Birlea®

Assembly Instructions

Thank you for
purchasing a
Birlea product

For a chance to win a Love2Shop voucher simply post a picture of your new product on your preferred social channels tagging Birlea Furniture. One winner will be selected at random each month.

*Terms & conditions may apply.

Are you happy with your purchase?

Yes: That's great, we would love to hear more from you. Please leave us a review on our Trustpilot link on the QR code here. Your feedback will be greatly appreciated.



No: If for any reason there is something missing, indifferent or incorrect with your order, please contact the retailer that you purchased your item from.

Please note that this items build time is around 40 minutes with 2 man build



www.birlea.com

ASSEMBLY INSTRUCTIONS NOAH 2 DOOR 3 DRAWER SIDEBOARD

IMPORTANT: READ THESE INSTRUCTIONS CAREFULLY BEFORE ASSEMBLING OR USING YOUR NOAH 2 DOOR 3 DRAWER SIDEBOARD.

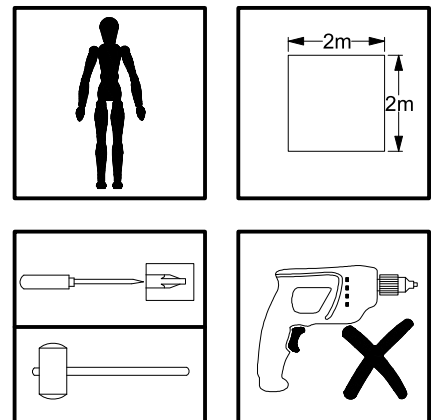
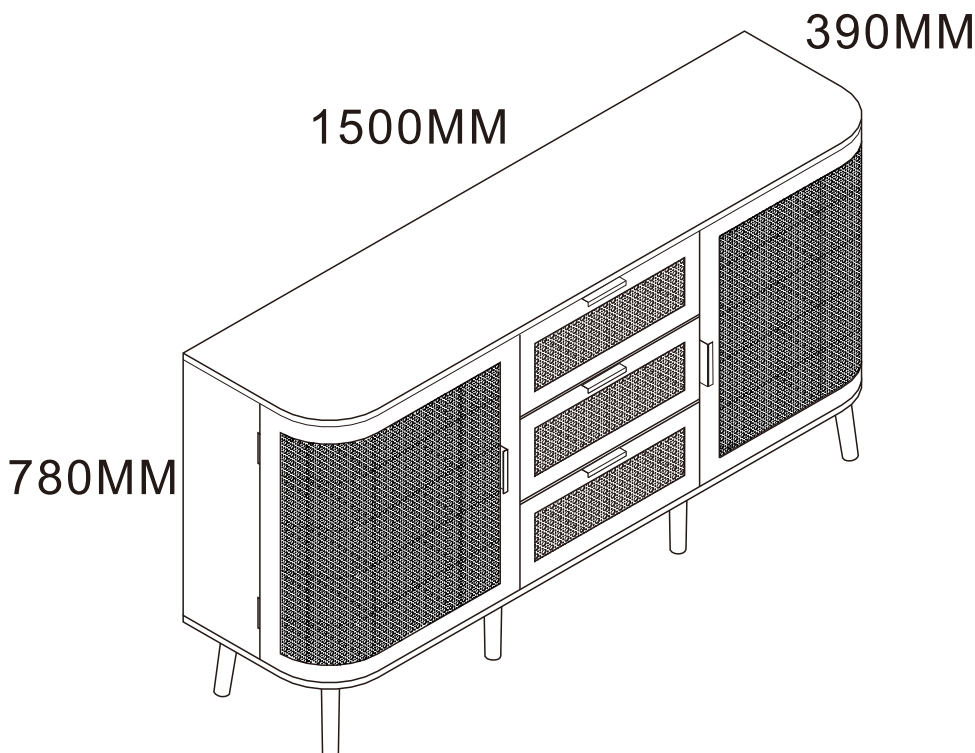
PLEASE KEEP THESE INSTRUCTIONS FOR FUTURE REFERENCE.

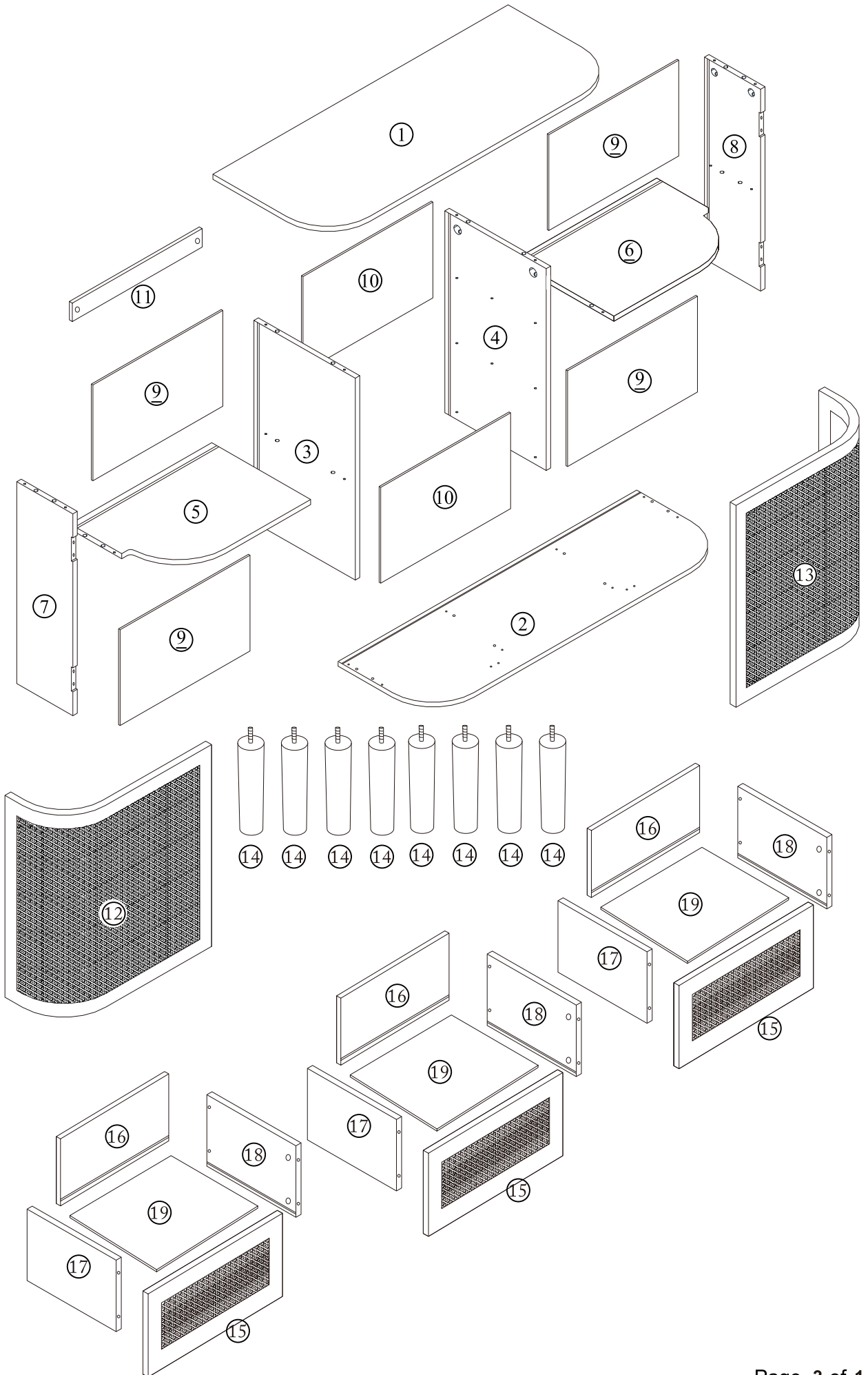
HEALTH & SAFETY:

DO NOT use this item if any parts are missing, damaged or worn.
DO NOT use this item unless all fixings are secured.
Please keep small parts out of reach of children.
Always use on a level, even surface.

CARE & MAINTENANCE:

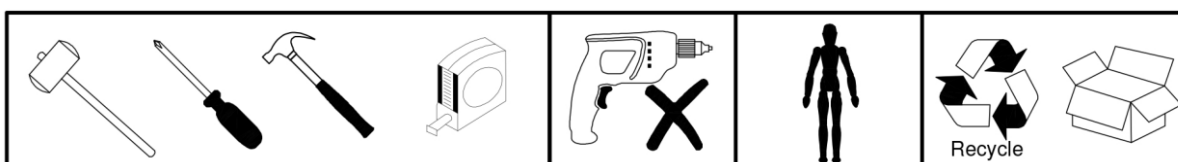
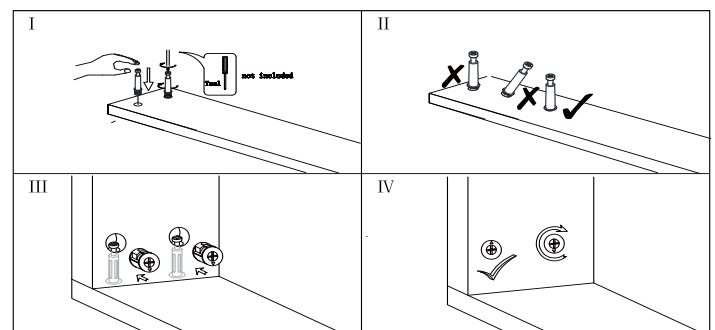
Assemble in the room of use.
Assembly should be carried out with this item laying flat, not standing upright.
Assemble on a soft, clean surface to prevent damages.
To remove the printed numbers on the pieces, use the eraser provided.
Periodically check all screws & fixings to ensure they are secure.
DO NOT push the item as this will damage the base.
Always lift the item with two people to reposition.
Keep any sharp objects away from the item.





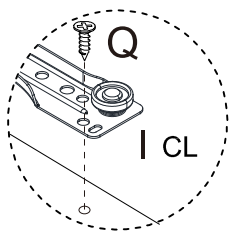
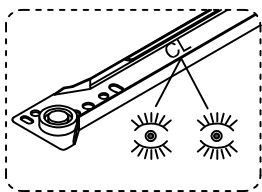
Parts list				Parts list			
Part	Description	Box	Qty	Part	Description		Qty
1	Cabinet Top	1	1	A	Cam Bolt M6X35MM		30
2	Bottom Panel	1	1	B	Cam Lock 15X10MM		30
3	Middle Left Division Panel	1	1	C	Wooden Dowel M6X30MM		24
4	Middle Right Division Panel	1	1	D	Screw M4X35MM		22
5	Left Shelf	1	1	E	Screw M3X14MM		72
6	Right Shelf	1	1	F	Screw M3.5X14MM		10
7	Left Side Panel	1	1	G	Plastic Corner Support		24
8	Right Side Panel	1	1	H	Handle		5
9	Back Side Panel	1	4	I	Slide Sets METAL RUNNER 12" (CR)		3
10	Back Middle Panel	1	2		Slide Sets METAL RUNNER 12" (CL)		
11	Back Stretcher	1	1		Slide Sets METAL RUNNER 12" (DL)		
12	Left Door	1	1		Slide Sets METAL RUNNER 12" (DR)		
13	Right Door	1	1	J	Nylon Strap		2
14	Feet	1	8	K	Anchor		2
15	Drawer Front Panel	1	3	L	Metal Pin		4
16	Drawer Back Panel	1	3	M	Screw M4X12MM		22
17	Drawer Left Side Panel	1	3	N	Magnetic Door Catcher		4
18	Drawer Right Side Panel	1	3	O	Door Metal Plate		4
19	Drawer Bottom Panel	1	3	P	Hinge		4
				Q	Screw M3X12MM		36

**** You will need a small mallet and a screwdriver for assembly.
 ** Some screws and wooden dowel may remain.**

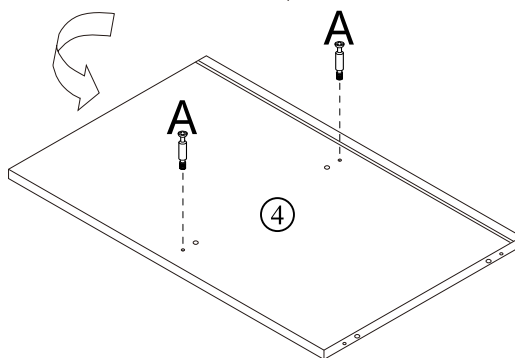
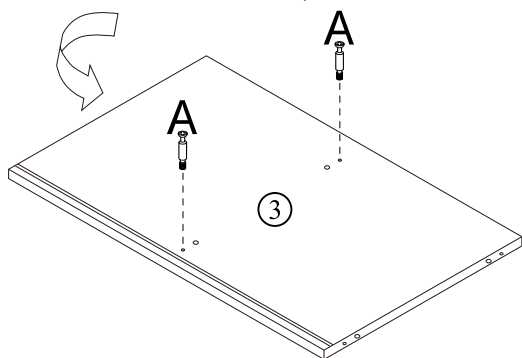
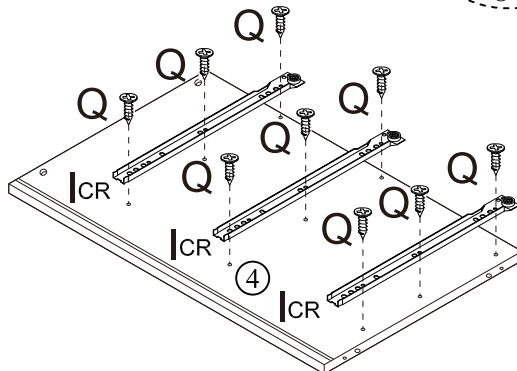
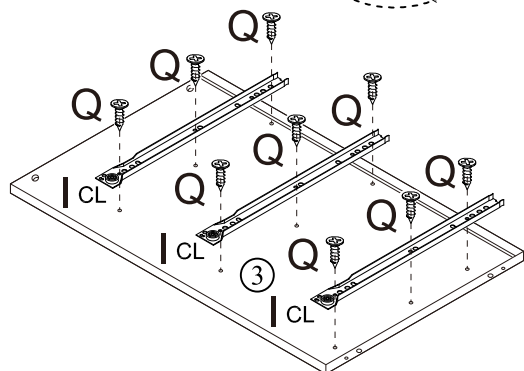
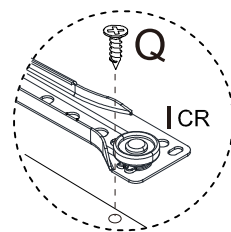
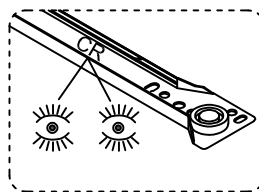


Step 1

Vendor: S000403

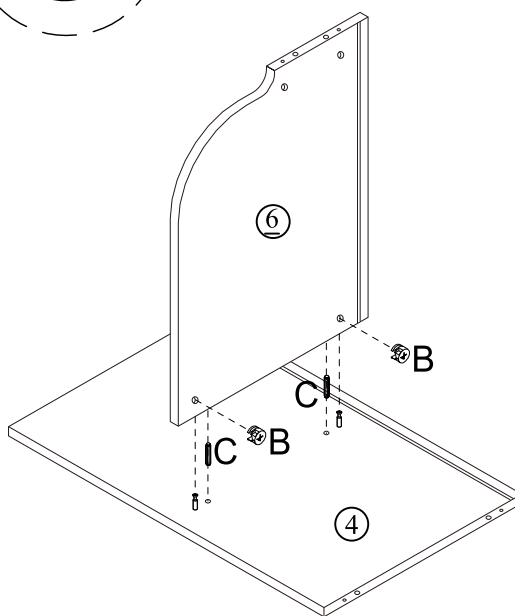
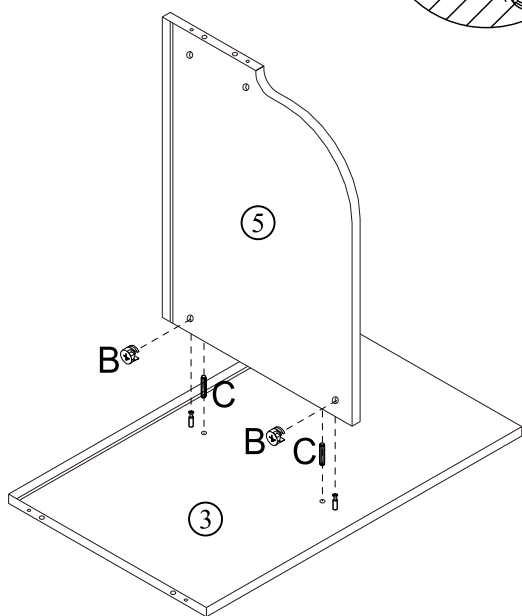
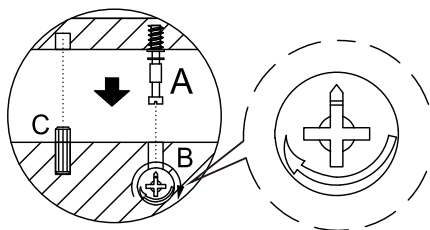


A×4
I (CL)×3
I (CR)×3
Q×18



Step 2

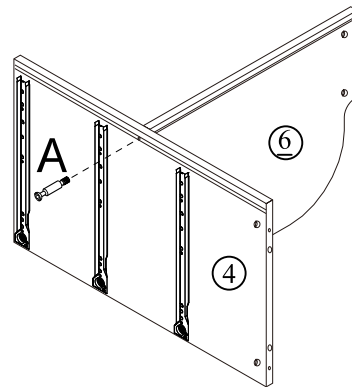
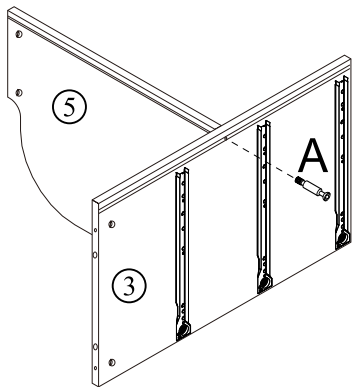
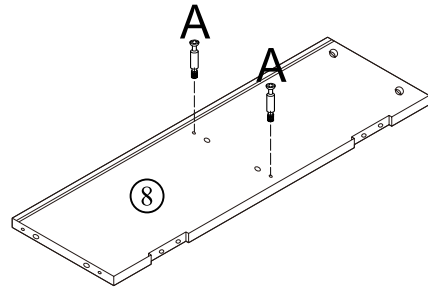
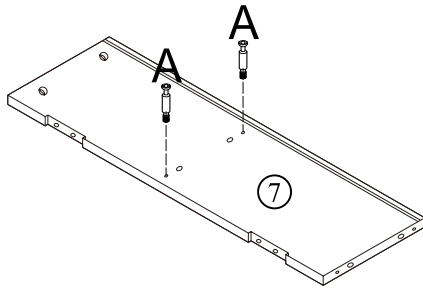
B×4
C×4



Step 3

Vendor:S000403

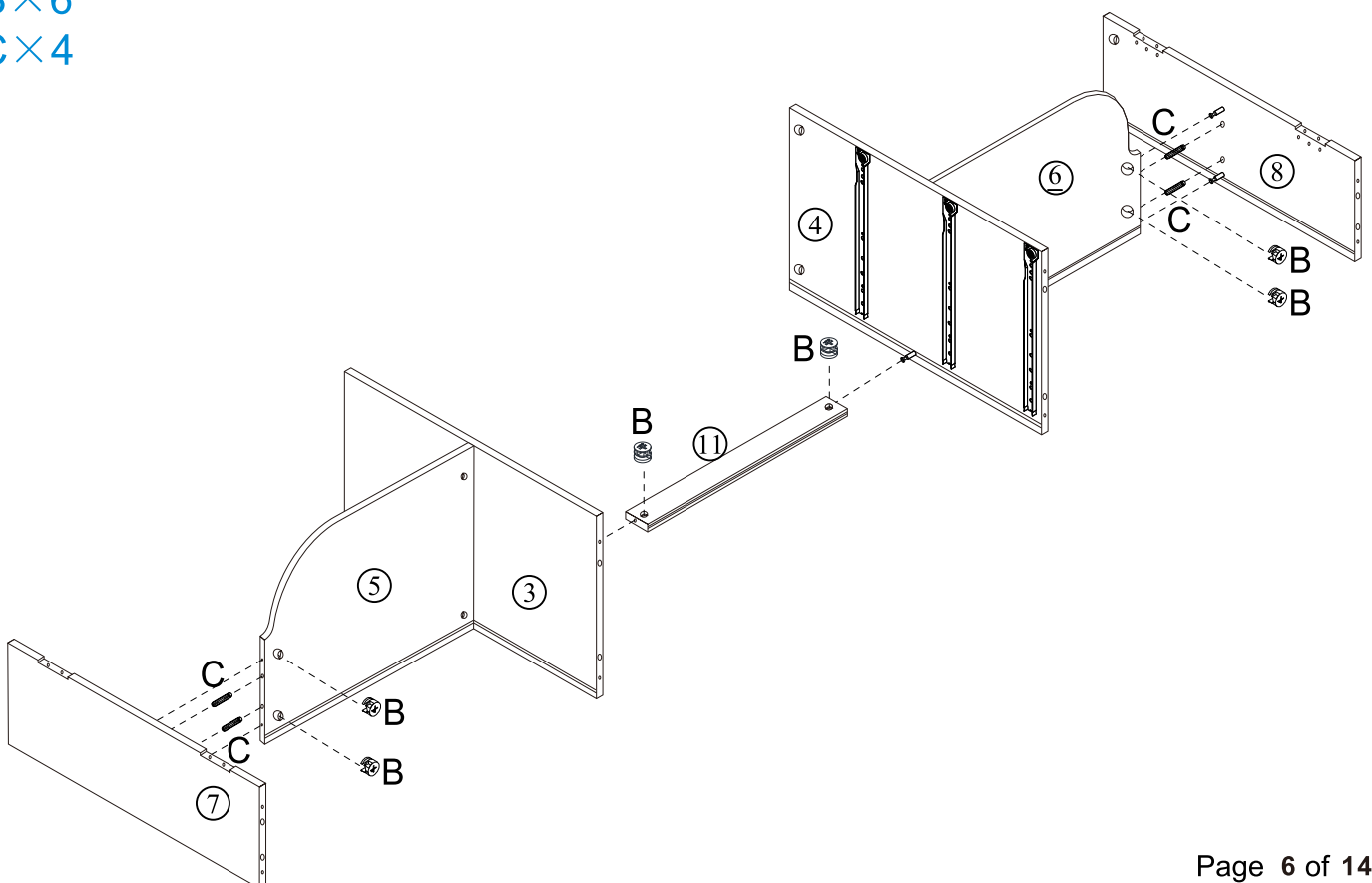
A×6



Step 4

B×6

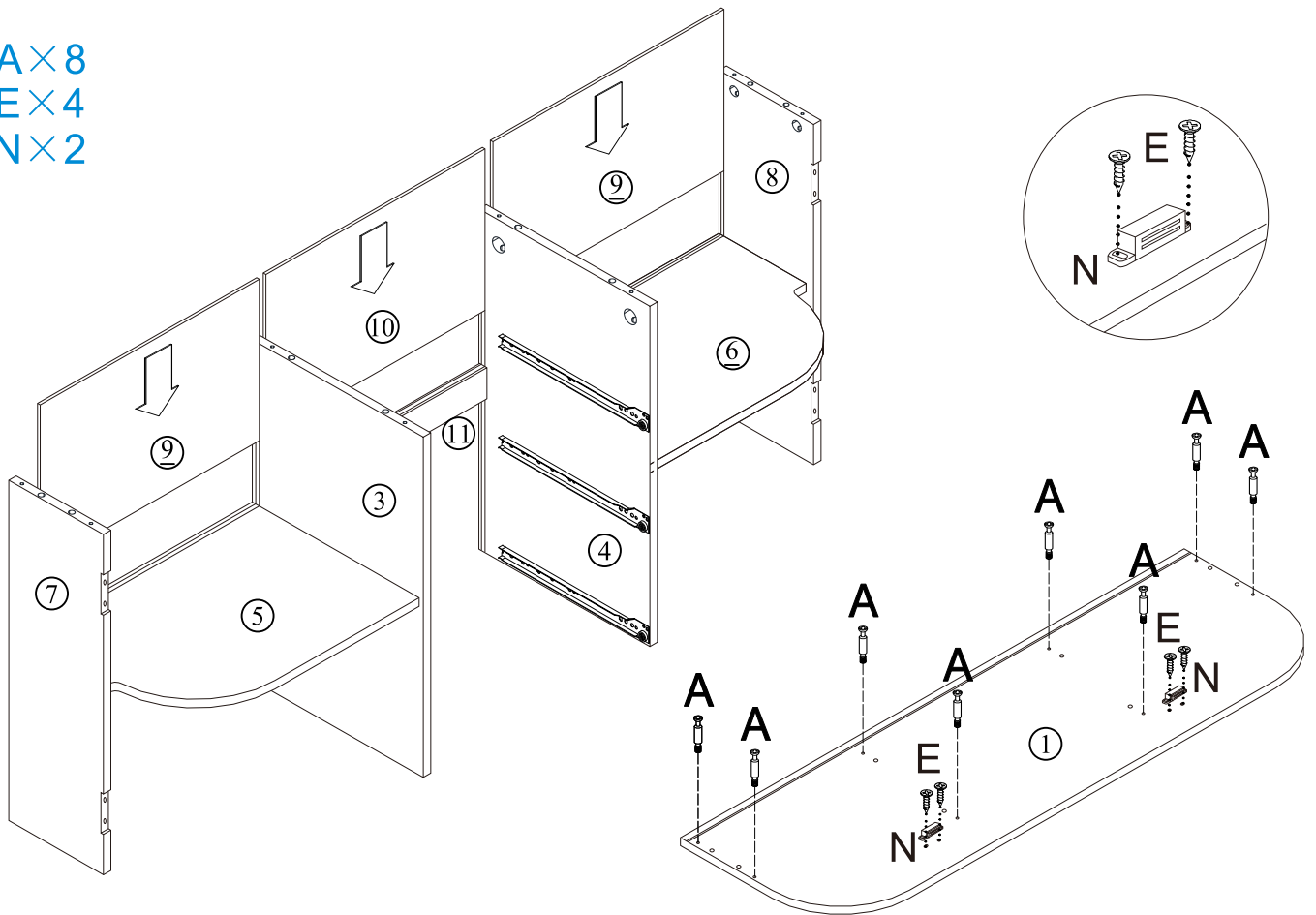
C×4



Step 5

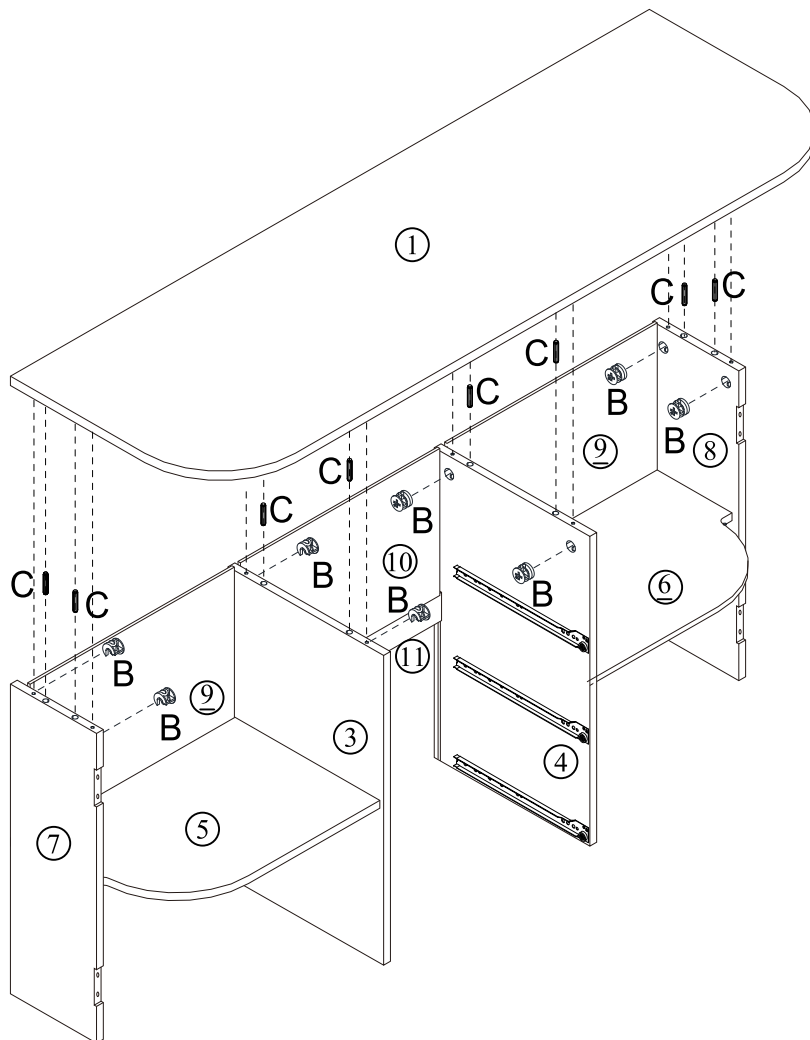
Vendor:S000403

A×8
E×4
N×2



Step 6

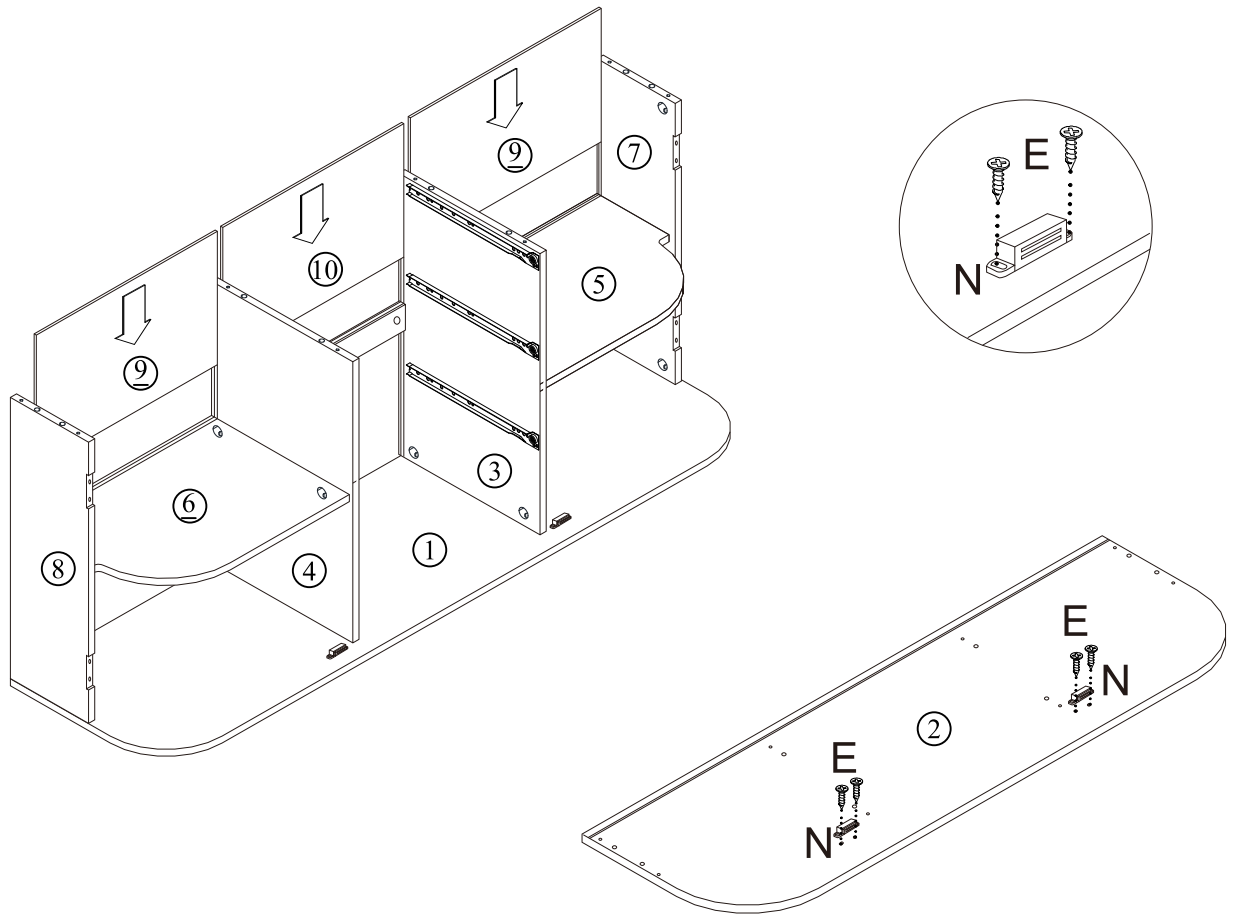
B×8
C×8



Step 7

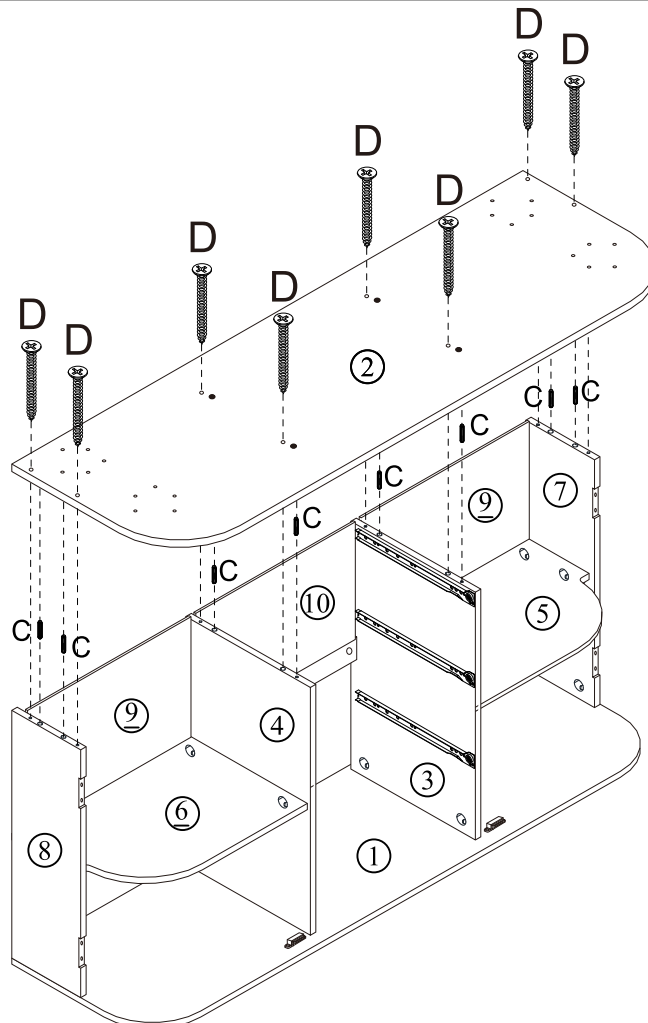
Vendor:S000403

E×4
N×2



Step 8

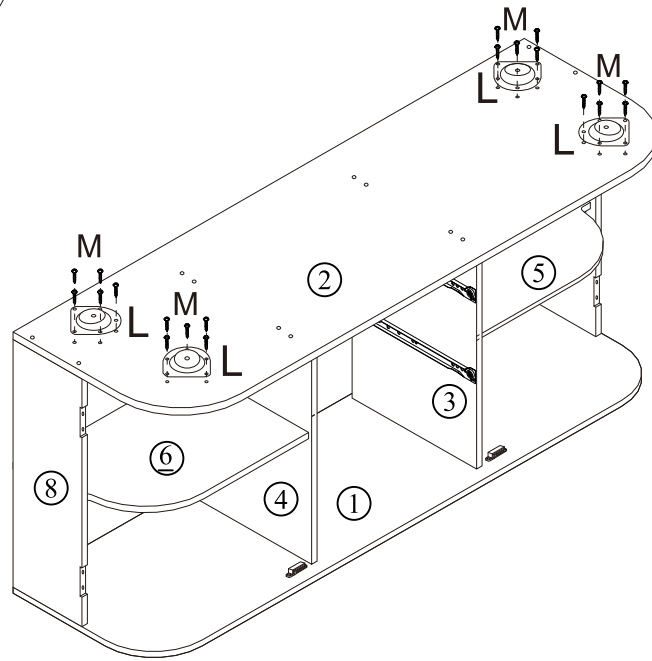
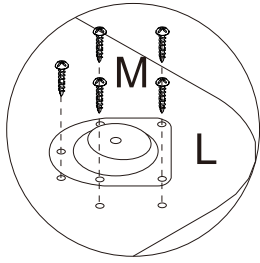
C×8
D×8



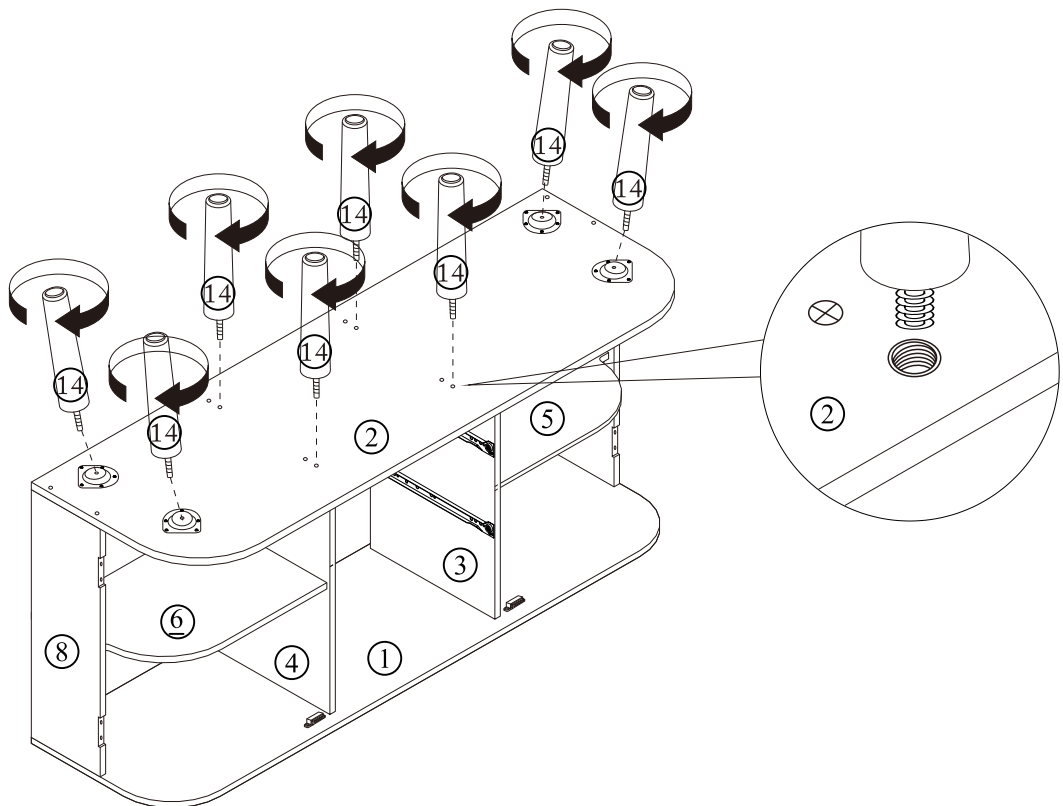
Step 9

Vendor:S000403

L×4
M×20



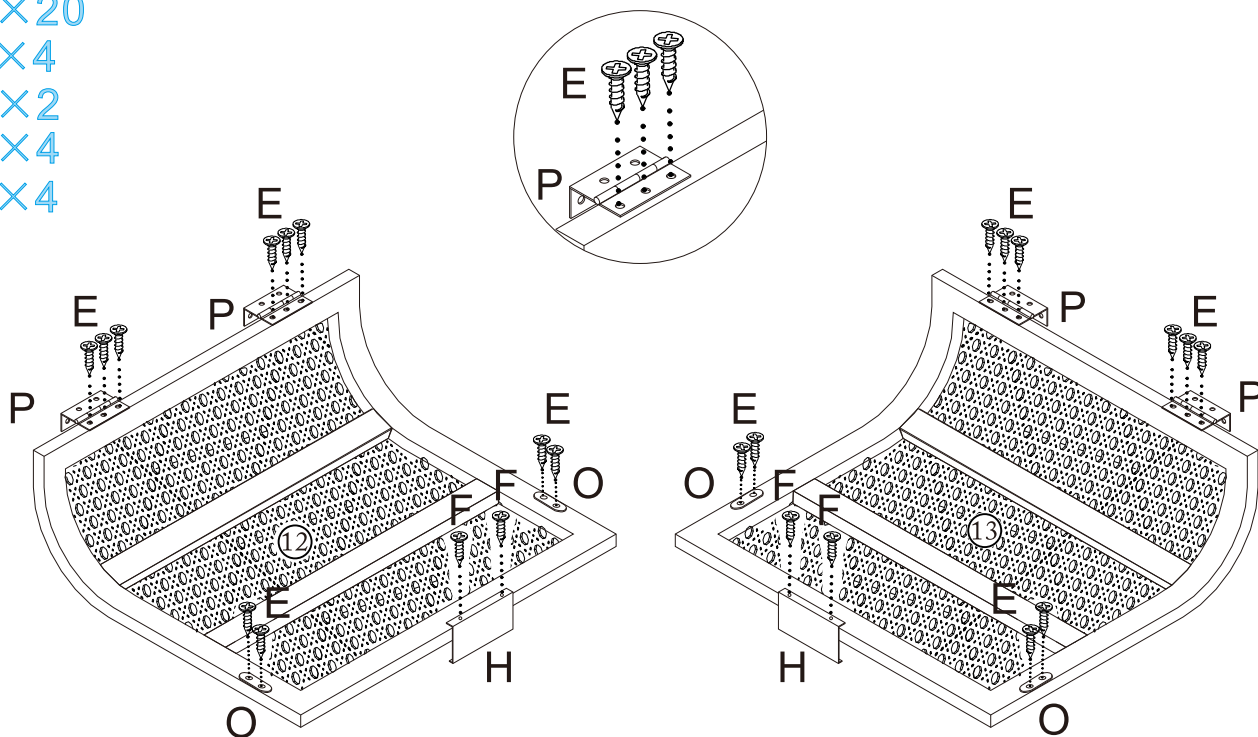
Step 10



Step 11

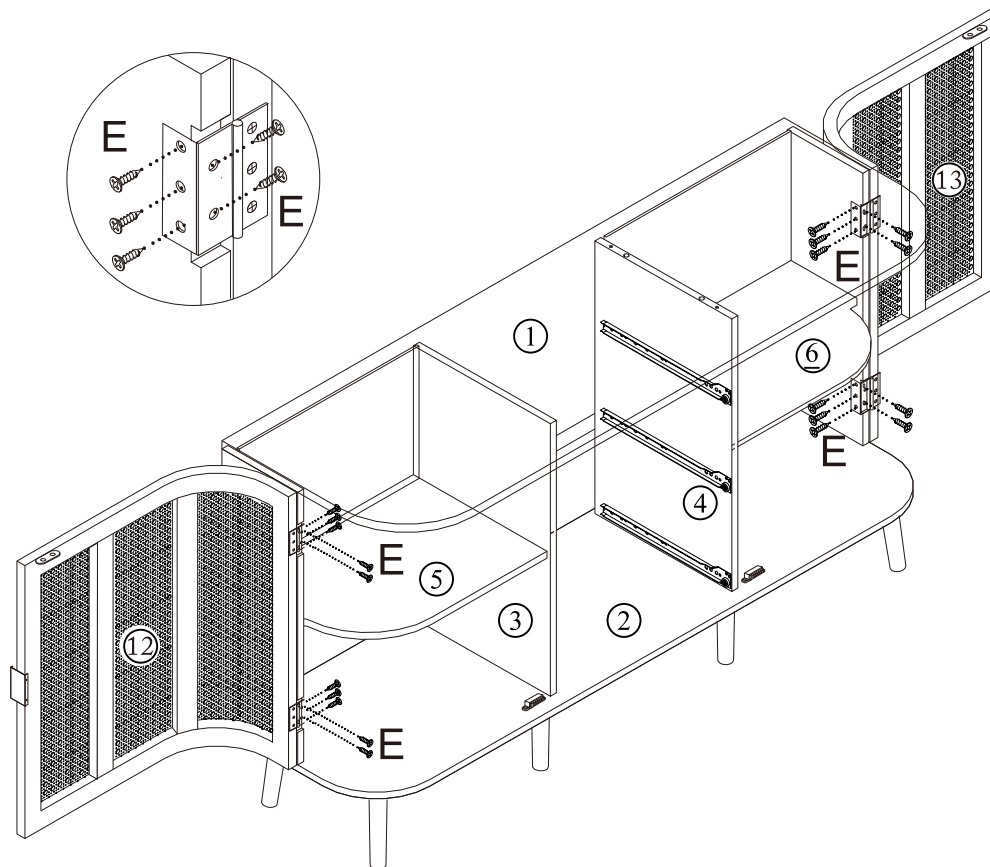
Vendor:S000403

- EX20
- FX4
- HX2
- OX4
- PX4



Step 12

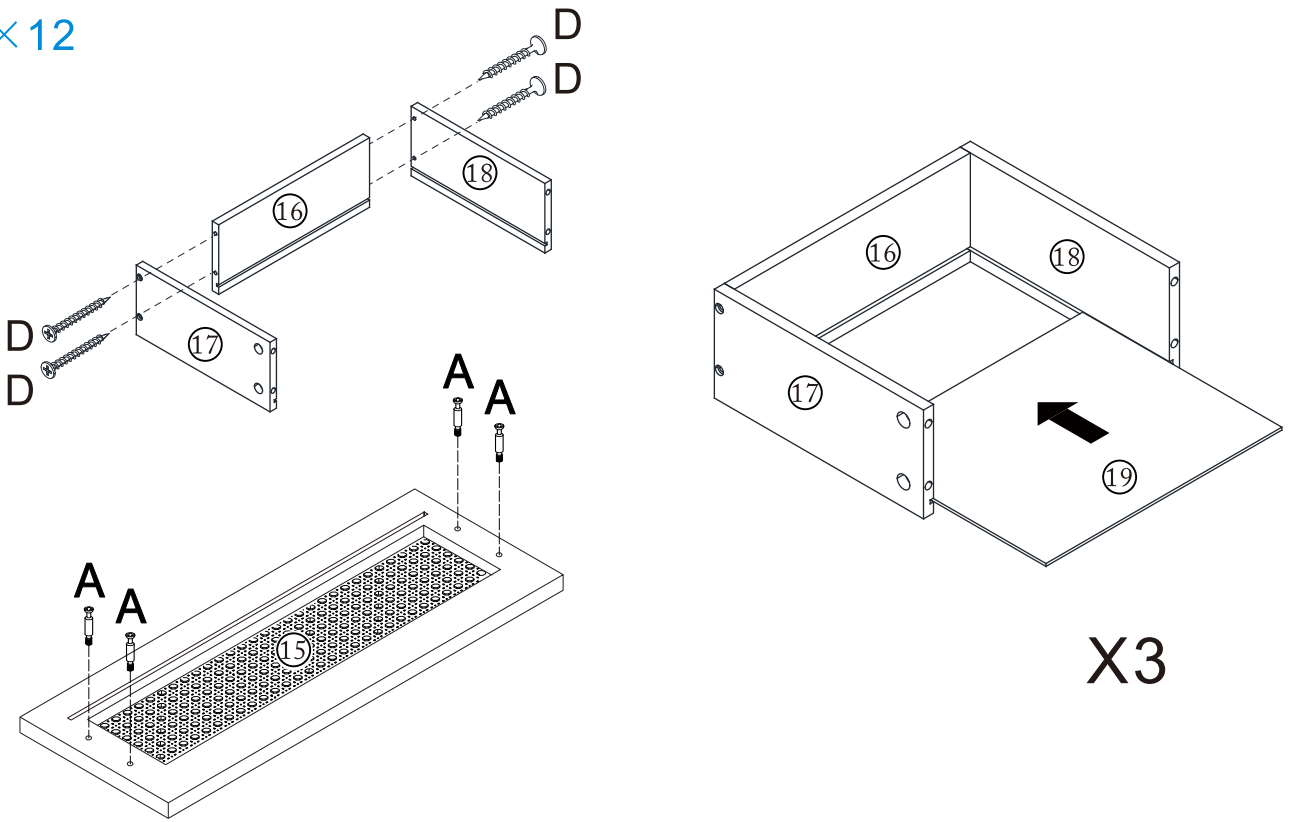
- EX20



Step 13

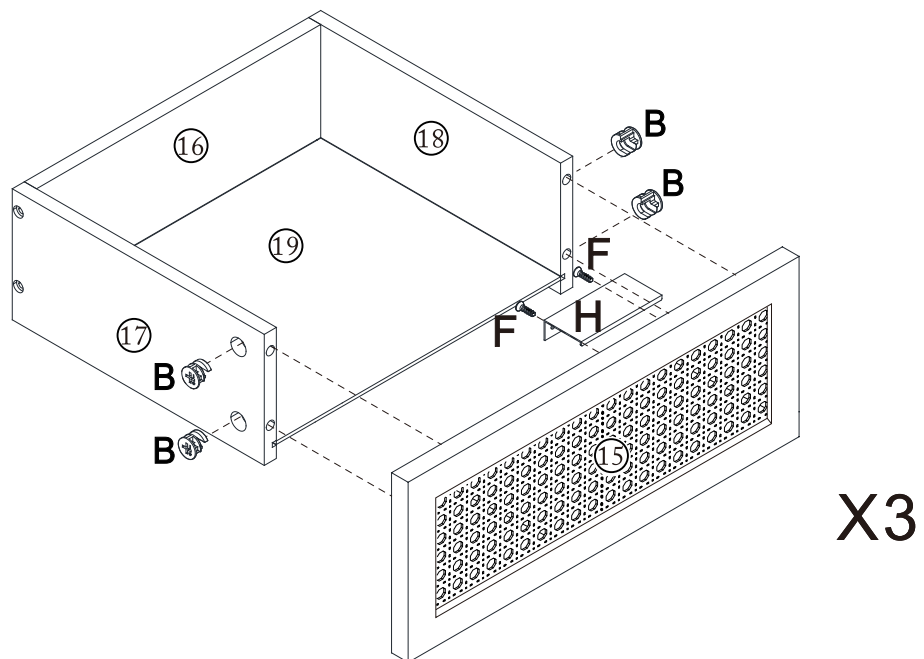
Vendor:S000403

A×12
D×12



Step 14

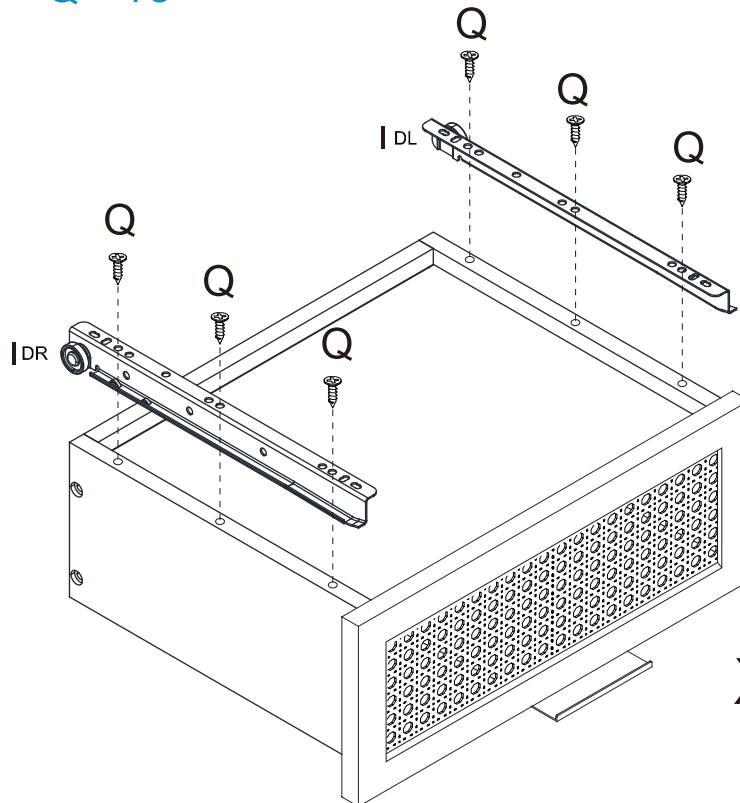
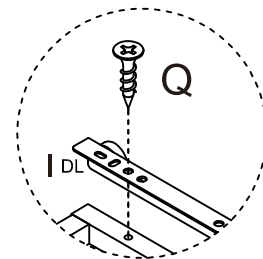
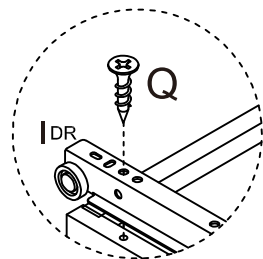
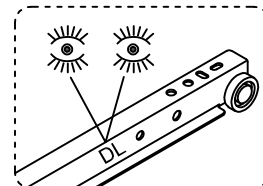
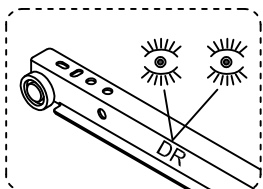
B×12
F×6
H×3



Step 15

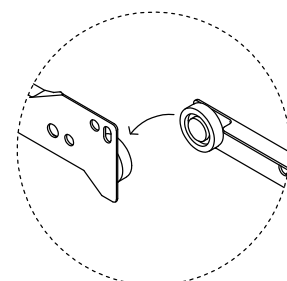
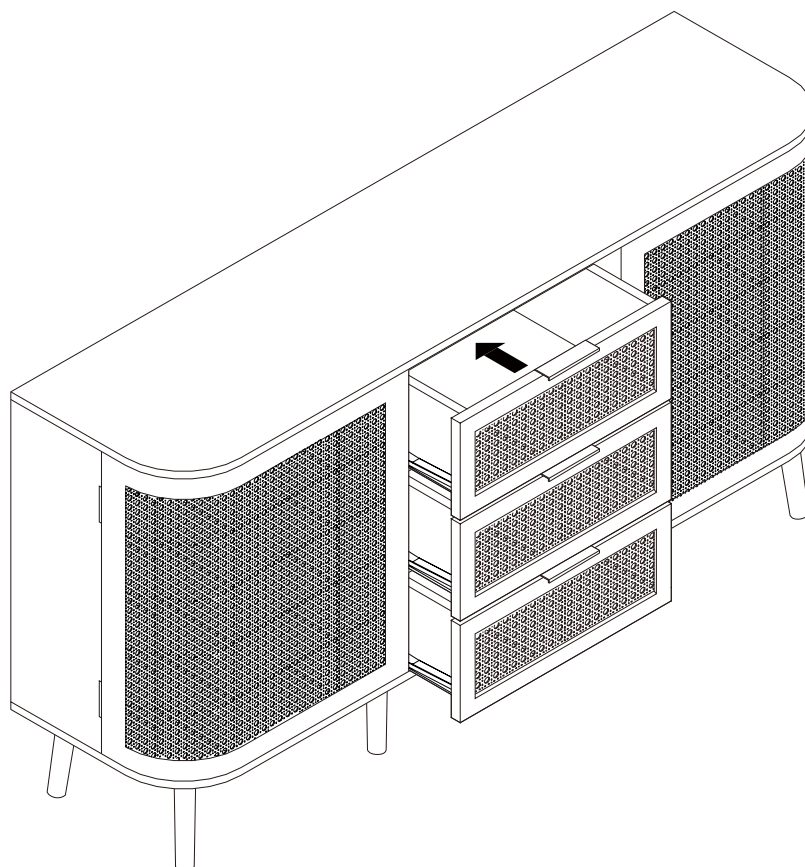
I (DR) × 3
I (DL) × 3
Q × 18

Vendor: S000403



X3

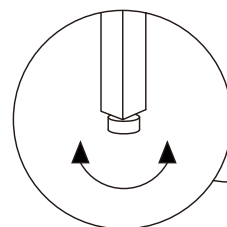
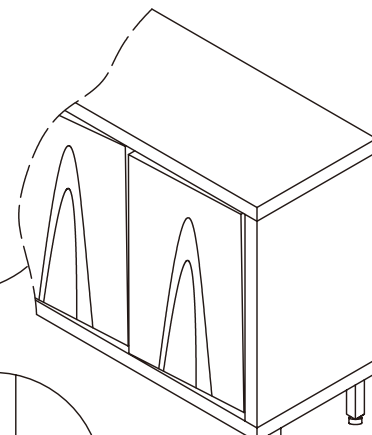
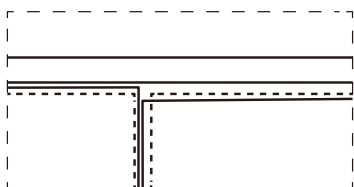
Step 16



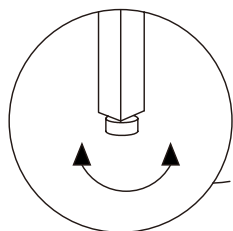
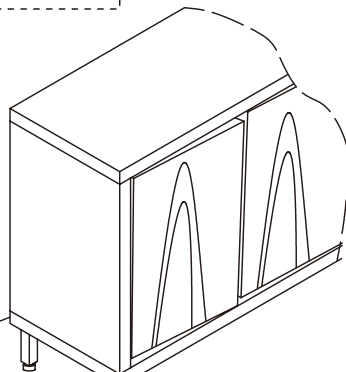
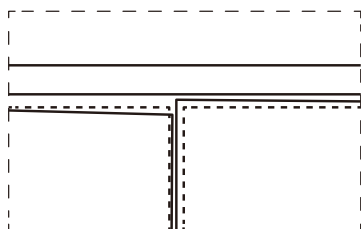
Is your cabinet door looking crooked or unevenly spaced? (Cont.)

If you're still having trouble lining everything up, your next step should be to try to adjust the feet slightly to square up the cabinet & doors. Follow the illustrations below:

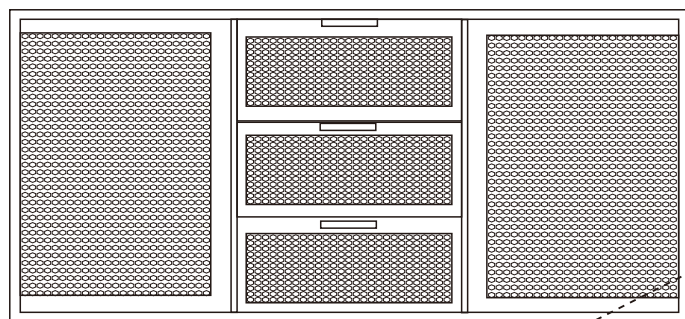
If the right door appears to be hanging low, you can adjust the adjustable leveler on the front right until the door is better aligned.



If the left door appears to be hanging low, you can adjust the adjustable leveler on the front left until the door is better aligned.

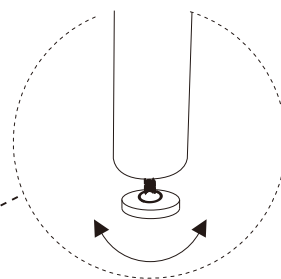


Adjust the midfoot as needed to level the object



flooring

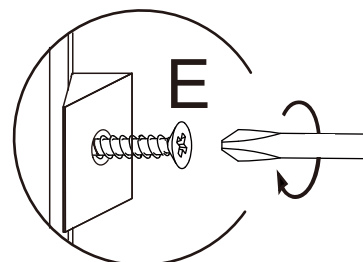
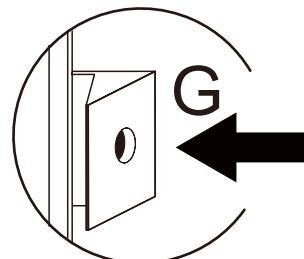
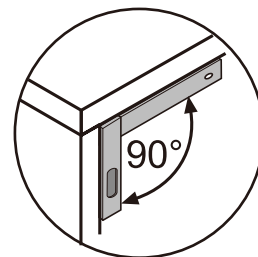
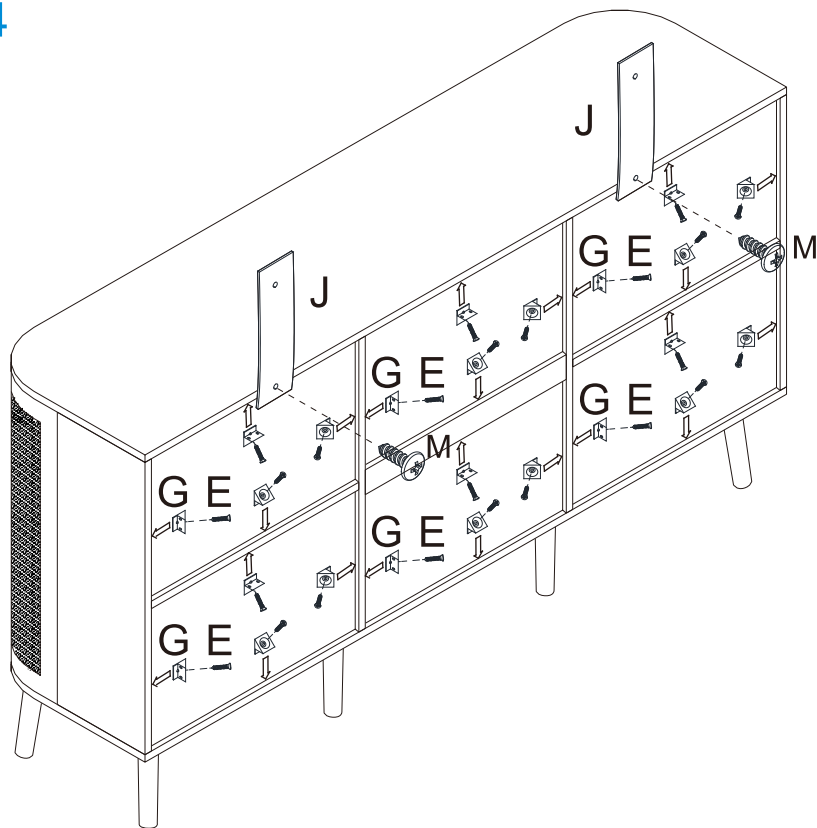
Adjust foot landing



Step 17

Vendor:S000403

E×24
G×24
J×2
M×2



Step 18

D×2
K×2

