

Birlea®

Assembly Instructions

**Thank you for
purchasing a
Birlea product**

For a chance to win a Love2Shop voucher simply post a picture of your new product on your preferred social channels tagging Birlea Furniture. One winner will be selected at random each month.

*Terms & conditions may apply.

Are you happy with your purchase?

Yes: That's great, we would love to hear more from you. Please leave us a review on our Trustpilot link on the QR code here. Your feedback will be greatly appreciated.



No: If for any reason there is something missing, indifferent or incorrect with your order, please contact the retailer that you purchased your item from.

Please note that this items build time is around 50 minutes with 2 man build



ASSEMBLY INSTRUCTIONS NOAH 2 DOOR RATTAN WARDROBE

IMPORTANT: READ THESE INSTRUCTIONS CAREFULLY BEFORE ASSEMBLING OR USING YOUR NOAH 2 DOOR RATTAN WARDROBE.

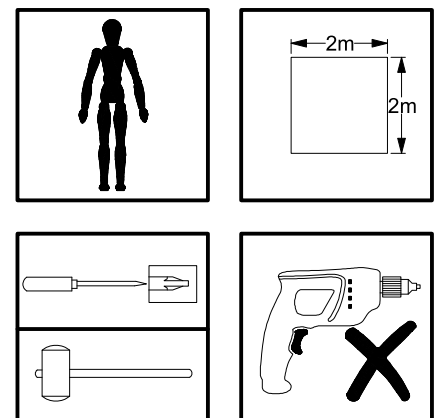
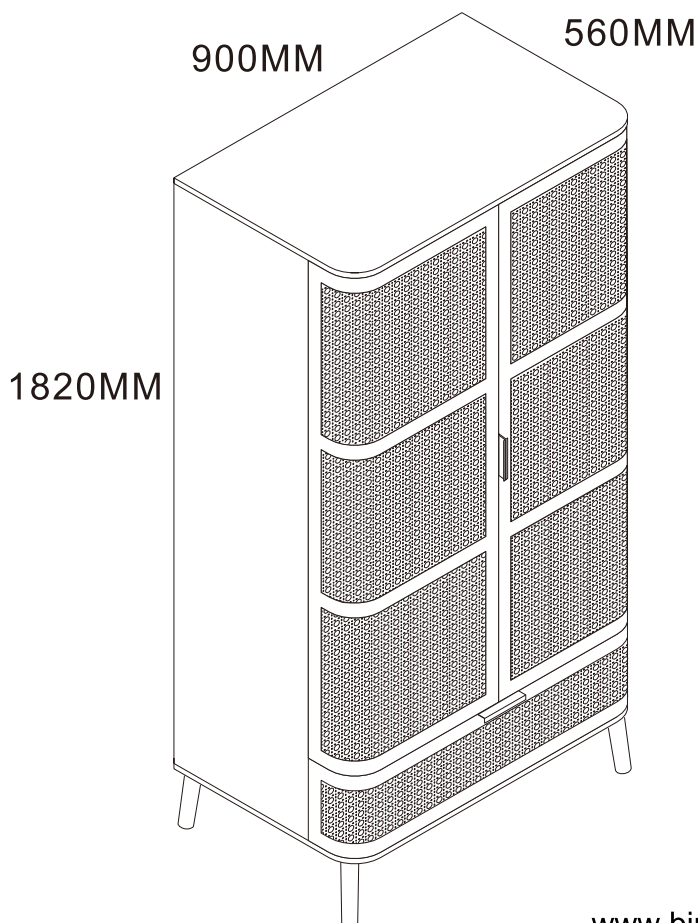
PLEASE KEEP THESE INSTRUCTIONS FOR FUTURE REFERENCE.

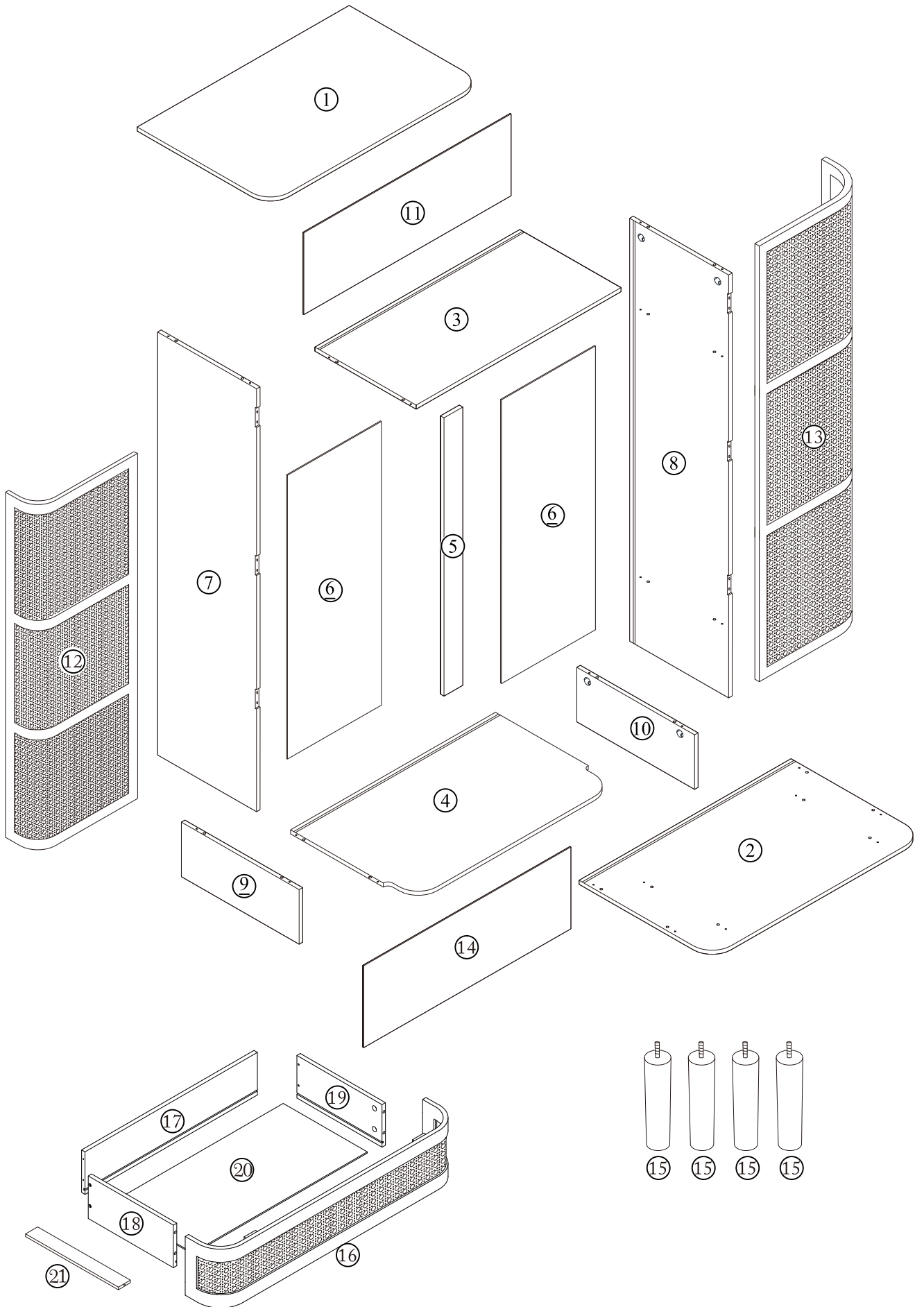
HEALTH & SAFETY:

DO NOT use this item if any parts are missing, damaged or worn.
DO NOT use this item unless all fixings are secured.
Please keep small parts out of reach of children.
Always use on a level, even surface.

CARE & MAINTENANCE:

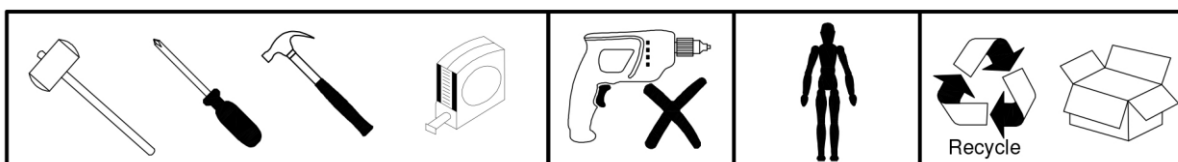
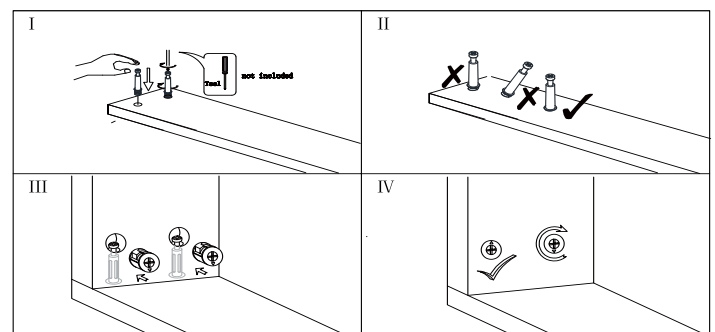
Assemble in the room of use.
Assembly should be carried out with this item laying flat, not standing upright.
Assemble on a soft, clean surface to prevent damages.
To remove the printed numbers on the pieces, use the eraser provided.
Periodically check all screws & fixings to ensure they are secure.
DO NOT push the item as this will damage the base.
Always lift the item with two people to reposition.
Keep any sharp objects away from the item.





Parts list				Parts list			
Part	Description	Box	Qty	Part	Description		Qty
1	Cabinet Top	1	1	A	Cam Bolt M6X35MM		25
2	Bottom Panel	1	1	B	Cam Lock 15X10MM		25
3	Shelf	1	1	C	Wooden Dowel M6X30MM		28
4	Upper Bottom Panel	1	1	D	Screw M4X30MM		13
5	Vertical Back Stretcher	1	1	E	Screw M3X14MM		86
6	Back Side Panel	1	2	F	Screw M3.5X14MM		6
7	Left Side Panel	1	1	G	Plastic Corner Support		24
8	Right Side Panel	1	1	H	Handle		3
9	Drawer Left Slide Support Panel	1	1	I	Slide Sets METAL RUNNER 12" (DR)		1
10	Drawer Right Slide Support Panel	1	1		Slide Sets METAL RUNNER 12" (DL)		
11	Upper Back Panel	1	1		Slide Sets METAL RUNNER 12" (CL)		
12	Left Door	1	1		Slide Sets METAL RUNNER 12" (CR)		
13	Right Door	1	1	J	Metal Plate		2
14	Lower Back Panel	1	1	K	Anchor		2
15	Feet	1	4	L	Screw M4X35MM		2
16	Drawer Front Panel	1	1	M	Metal Pin		4
17	Drawer Back Panel	1	1	N	Screw M4X12MM		22
18	Drawer Left Side Panel	1	1	O	Magnetic Door Catcher		4
19	Drawer Right Side Panel	1	1	P	Door Metal Plate		4
20	Drawer Bottom Panel	1	1	Q	Hinge		6
21	Drawer Support Panel	1	1	R	Screw M3X12MM		12
				S	Hanging Pole		1
				T	Hanger Bracket		2
				U	Screw M2.5X12MM		8

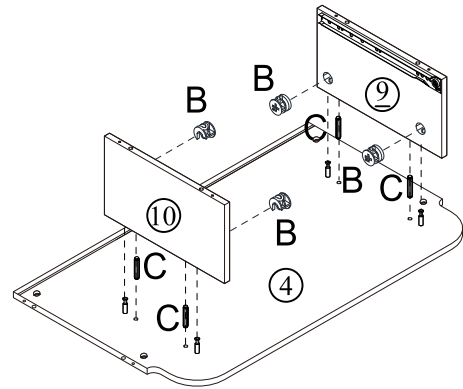
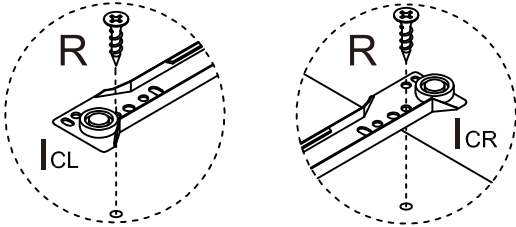
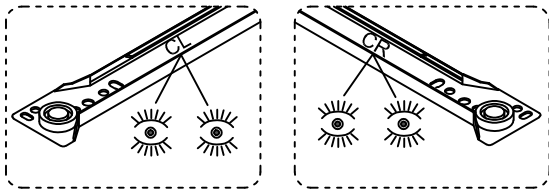
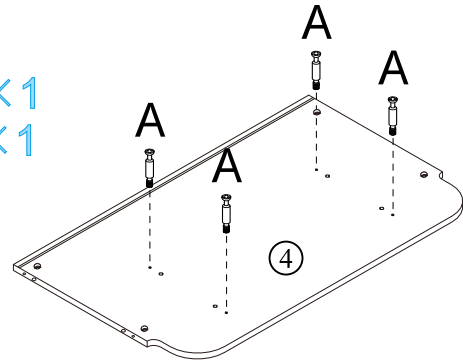
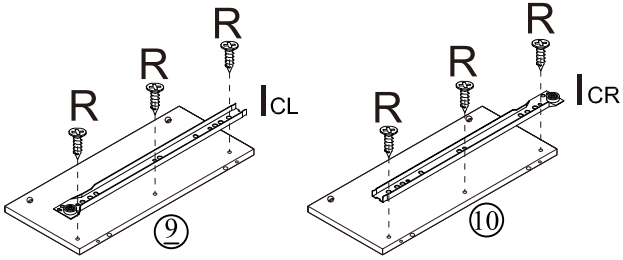
**** You will need a small mallet and a screwdriver for assembly.
 ** Some screws and wooden dowel may remain.**



Step 1

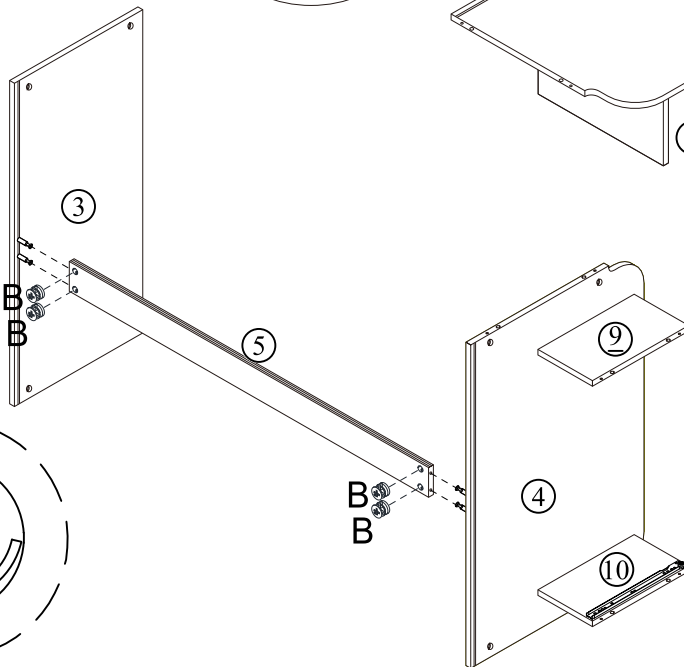
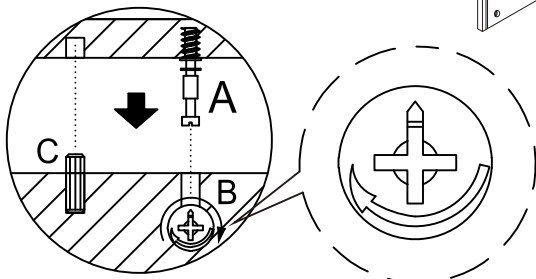
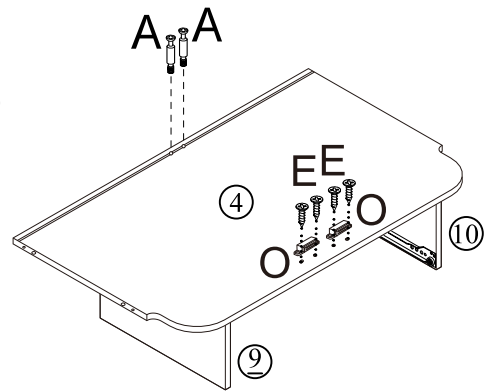
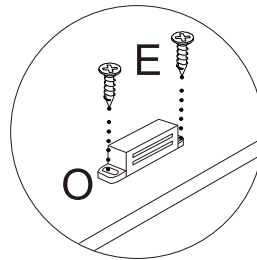
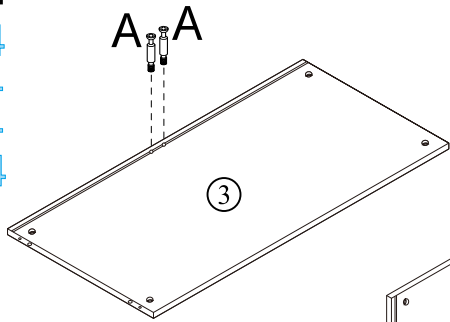
Vendor: S000403

A×4
B×4
C×4
I(CL)×1
I(CR)×1
R×6



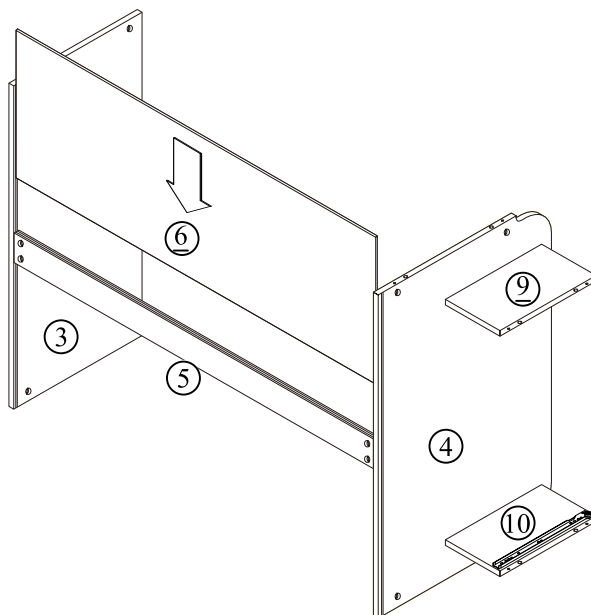
Step 2

A×4
B×4
E×4
O×4



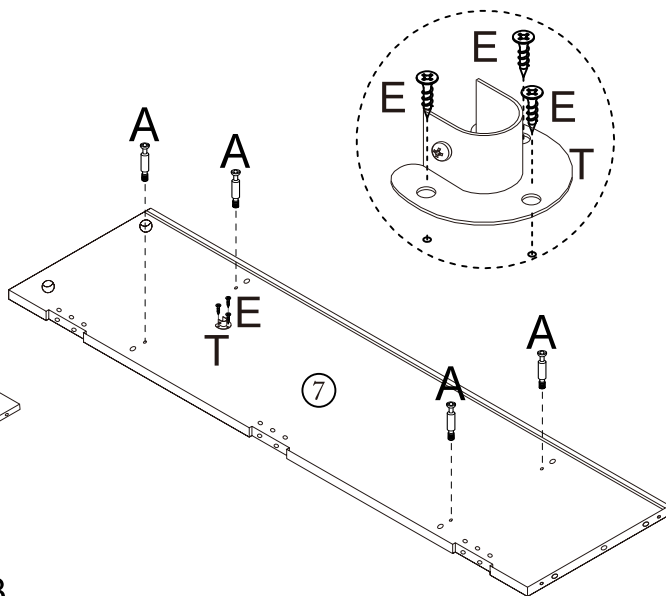
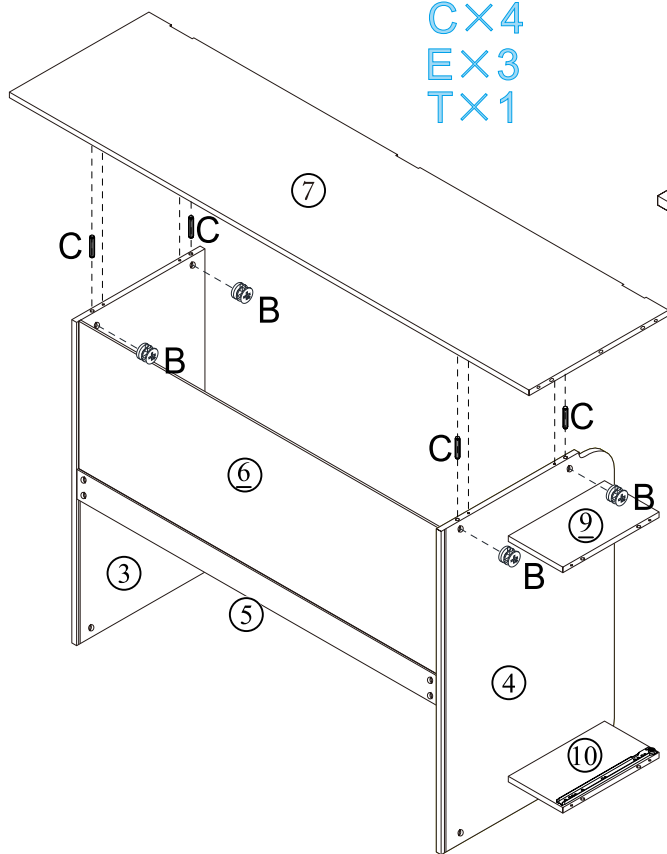
Step 3

Vendor:S000403



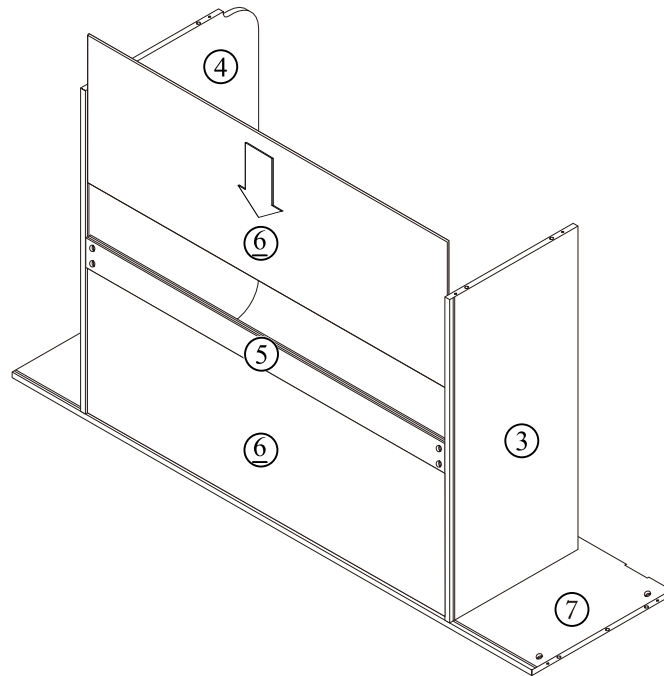
Step 4

A×4
B×4
C×4
E×3
T×1



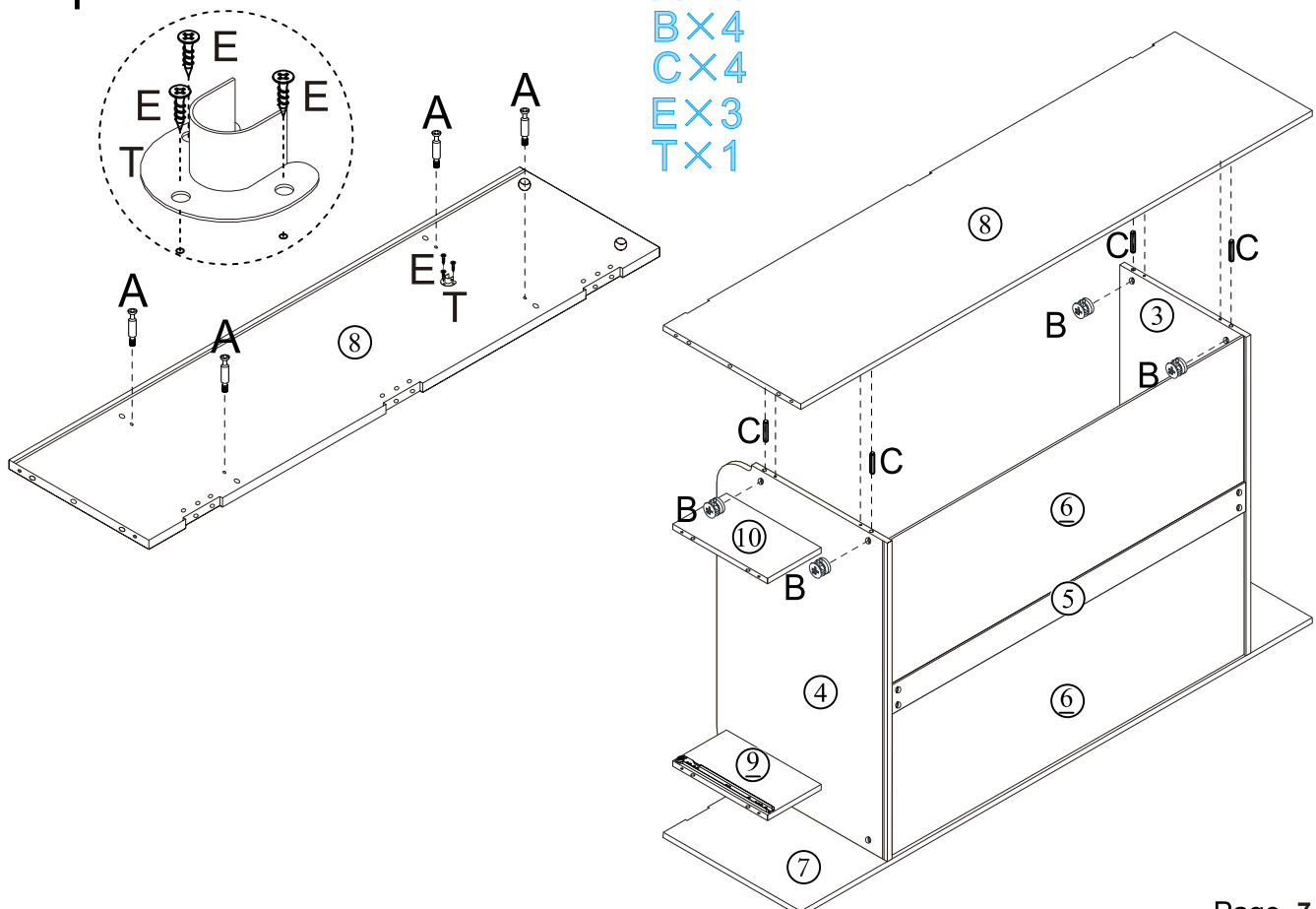
Step 5

Vendor:S000403



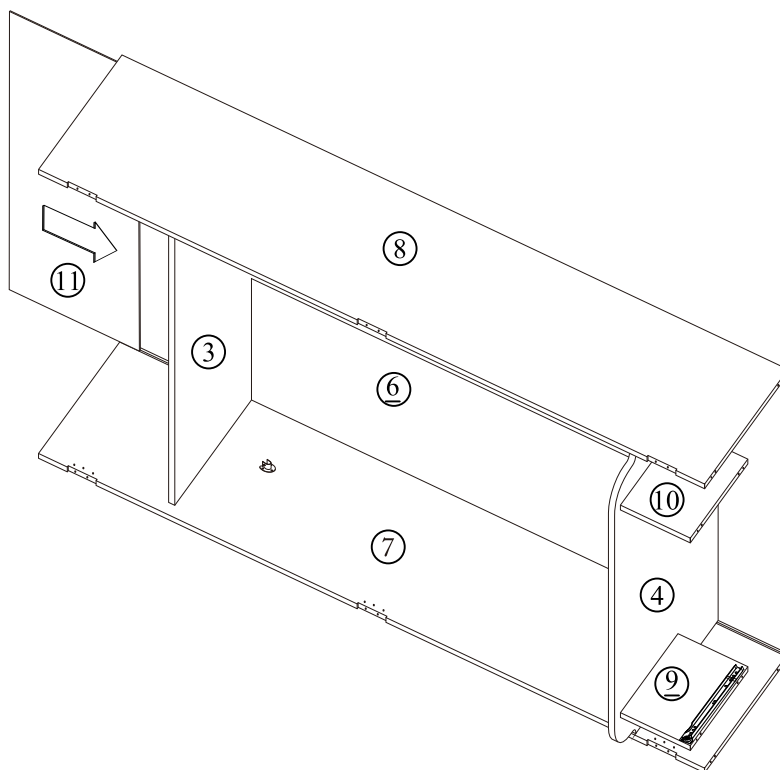
Step 6

Ax4
Bx4
Cx4
Ex3
Tx1



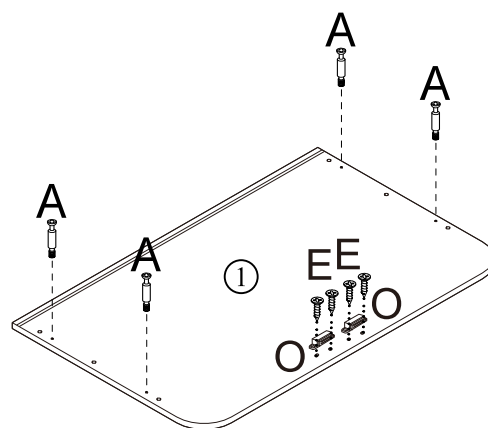
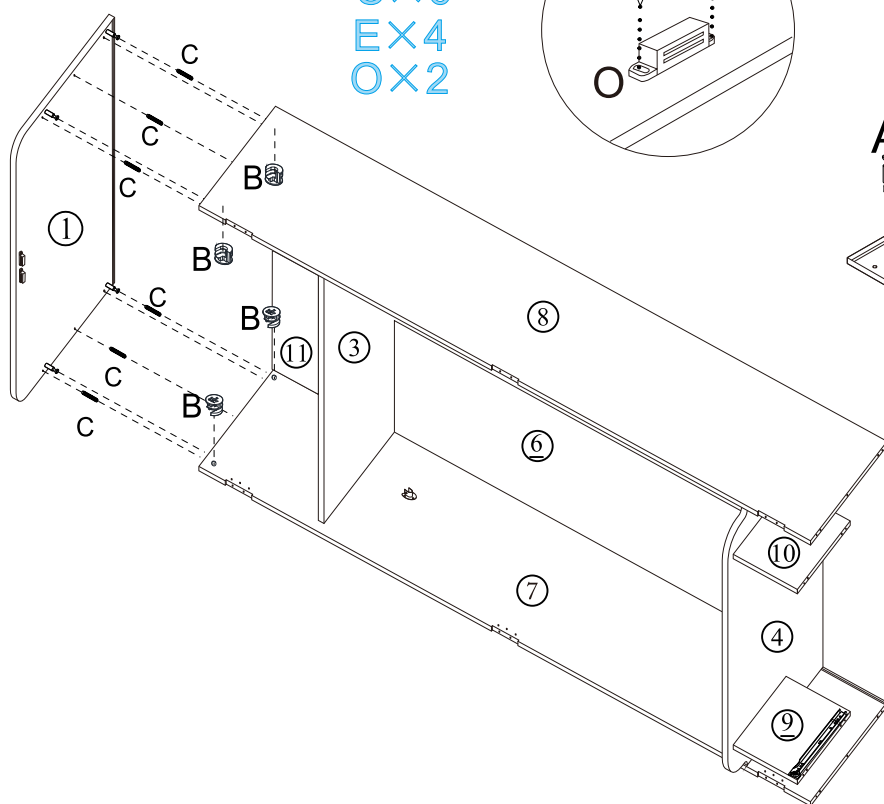
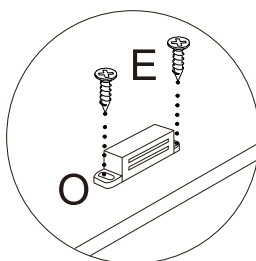
Step 7

Vendor:S000403



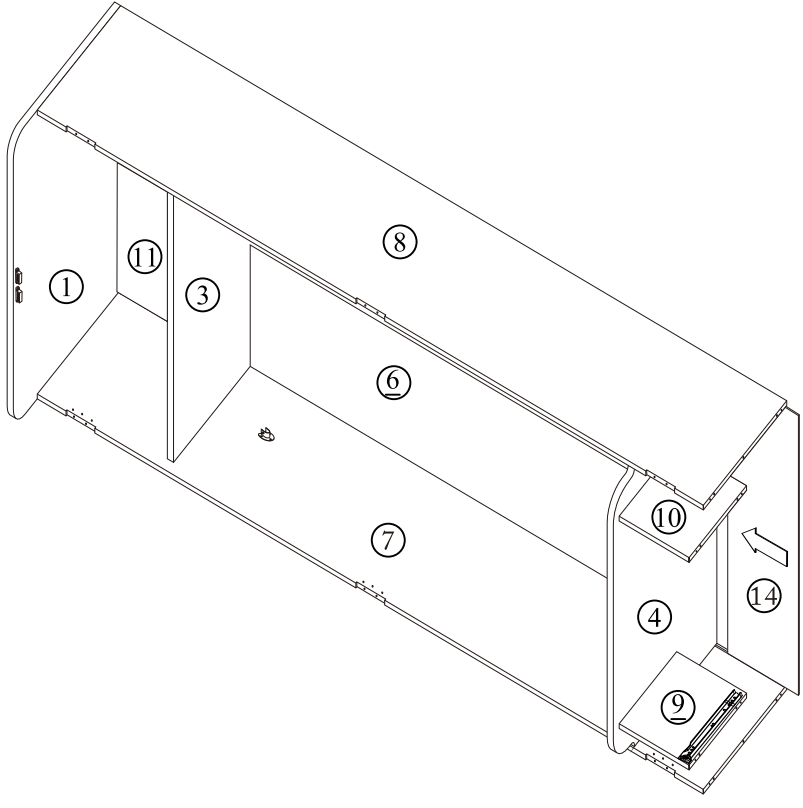
Step 8

- A x 4
- B x 4
- C x 6
- E x 4
- O x 2



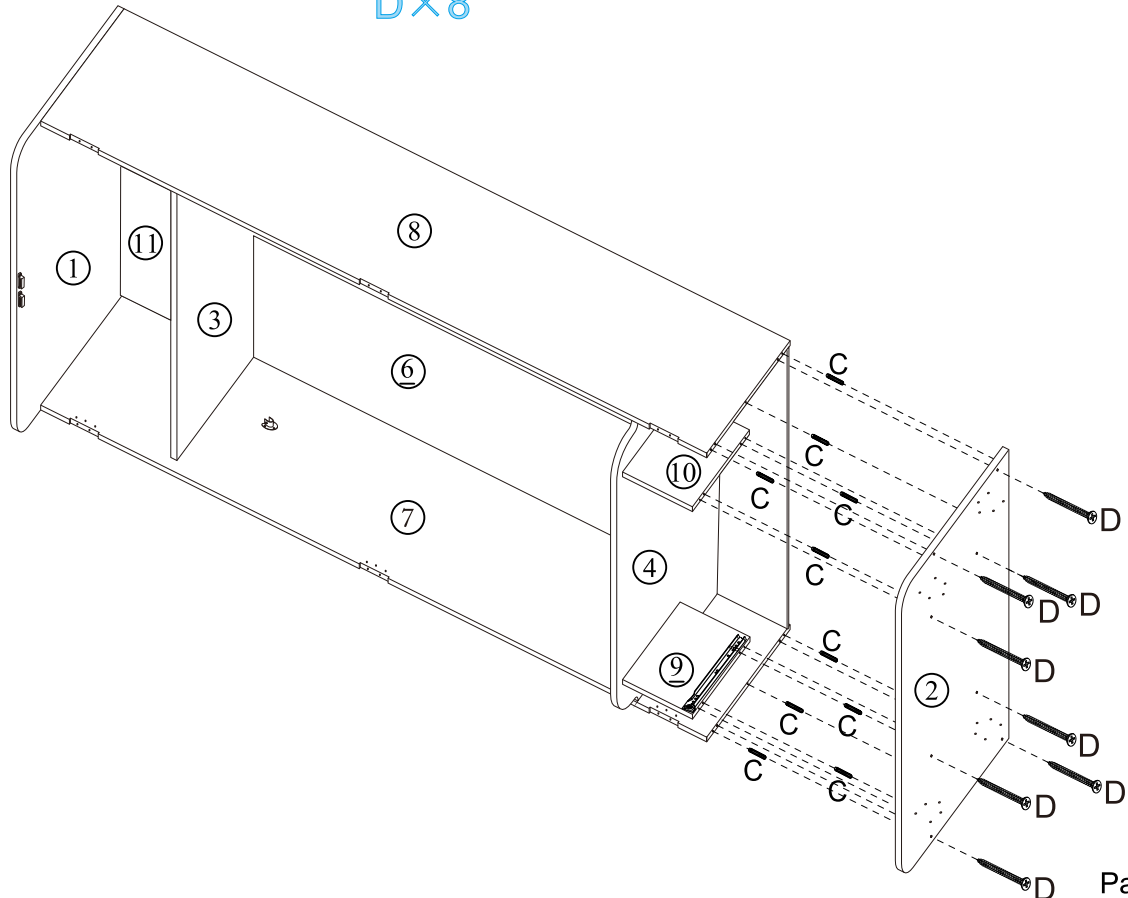
Step 9

Vendor:S000403



Step 10

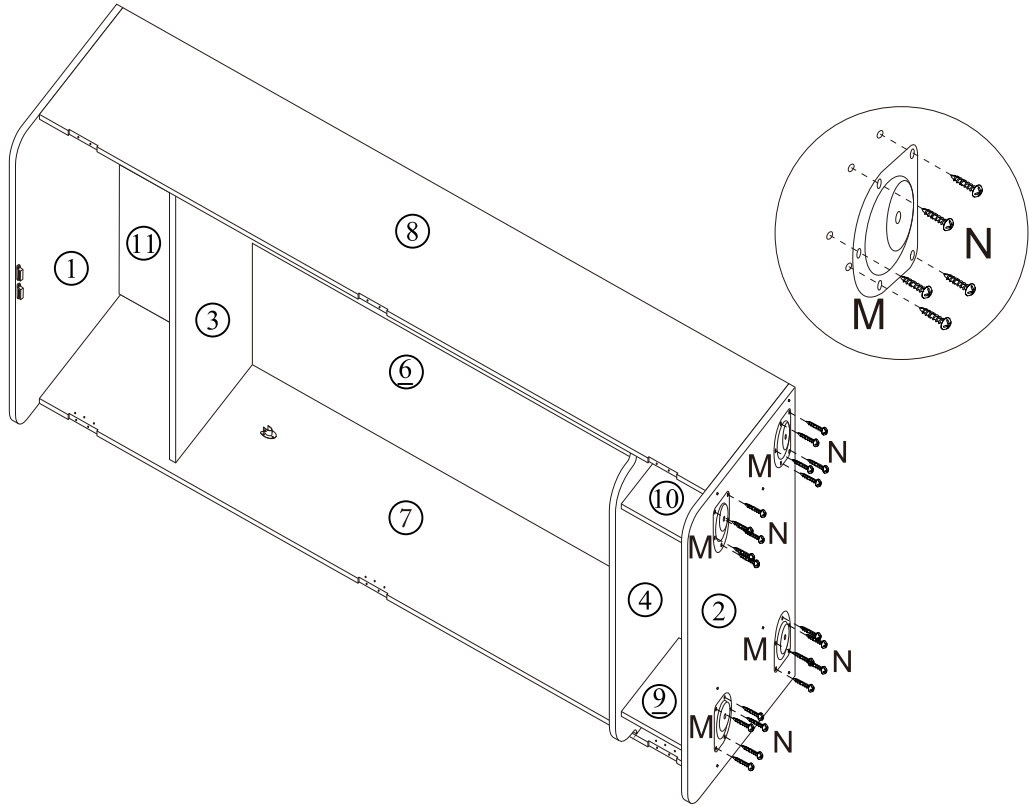
C×10
D×8



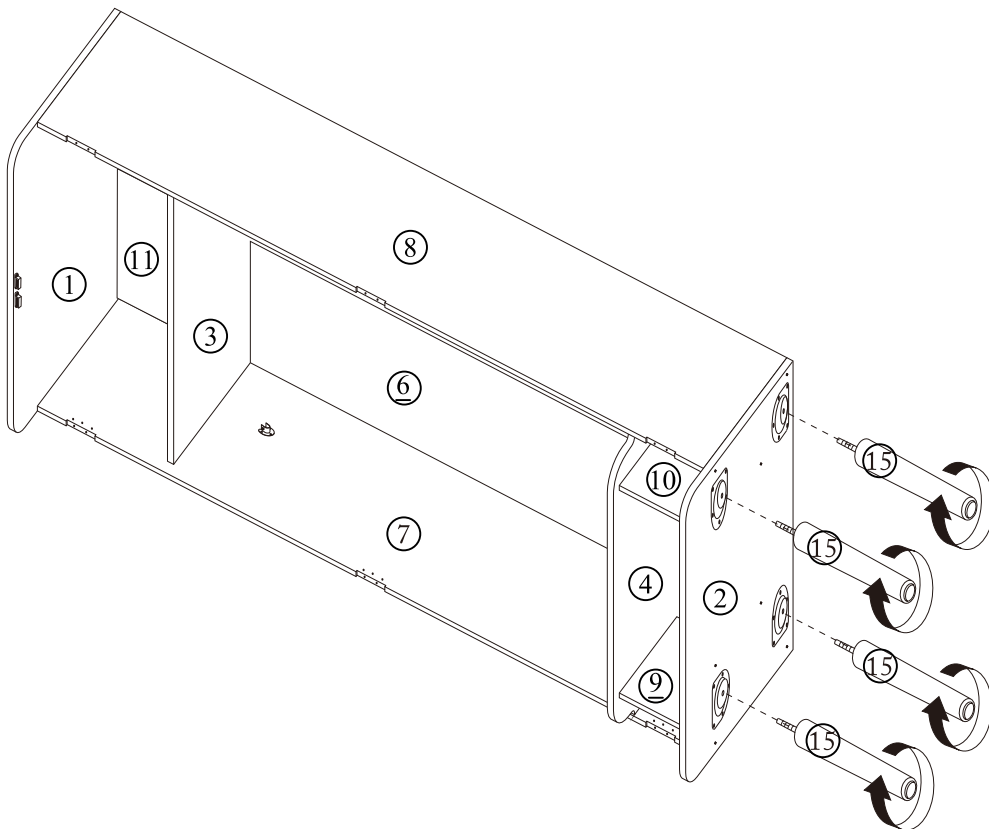
Step 11

Vendor:S000403

M×4
N×20



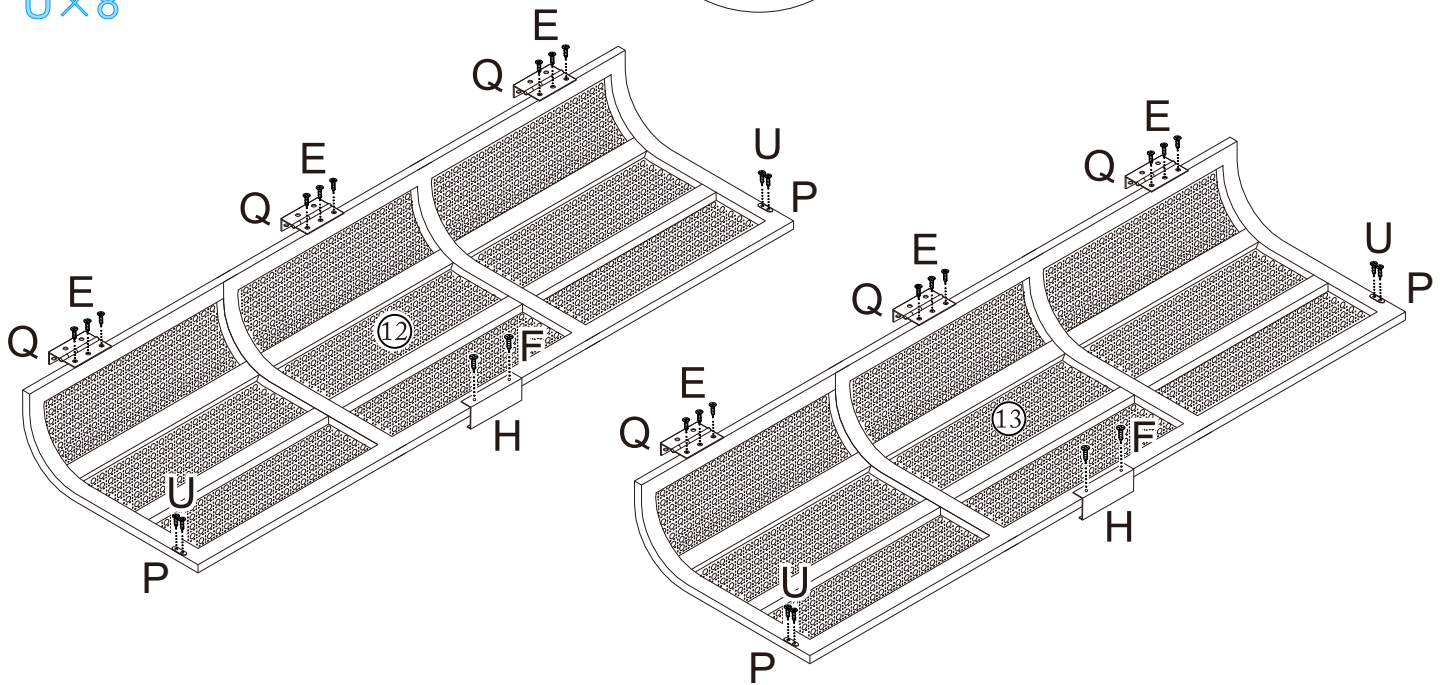
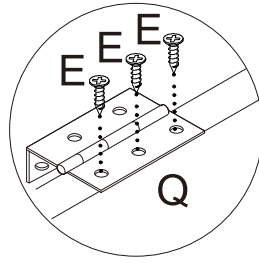
Step 12



Step 13

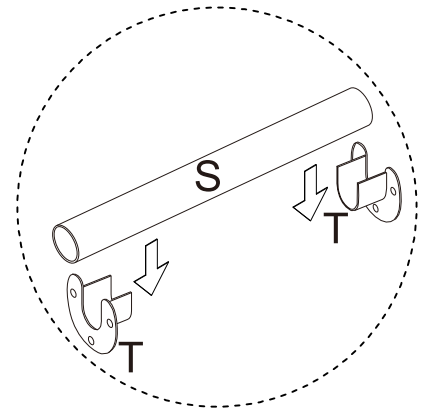
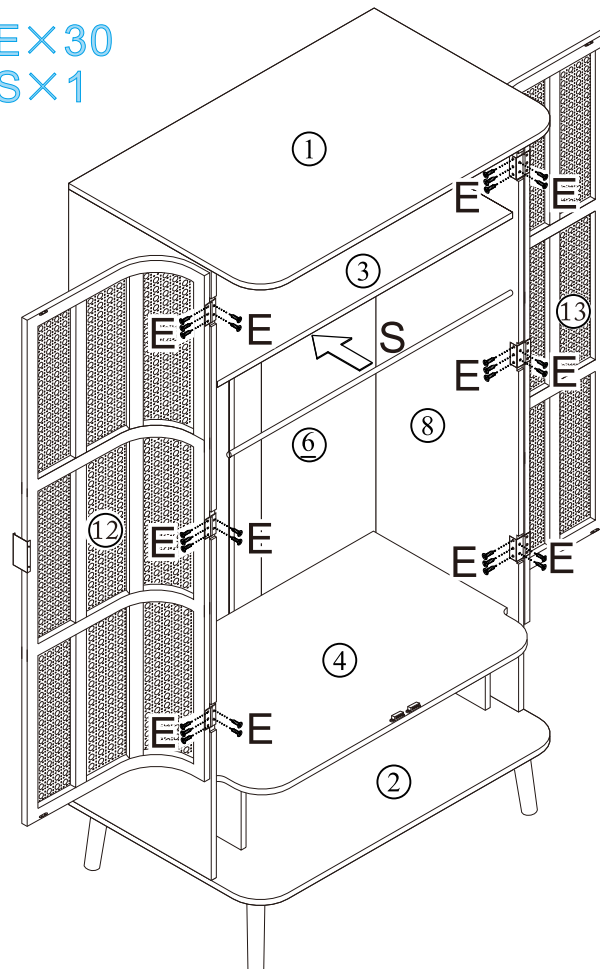
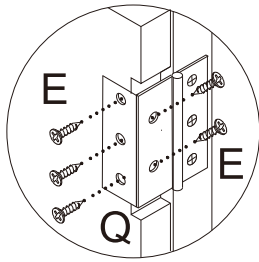
Vendor:S000403

- EX18
- FX4
- HX2
- PX4
- QX6
- UX8



Step 14

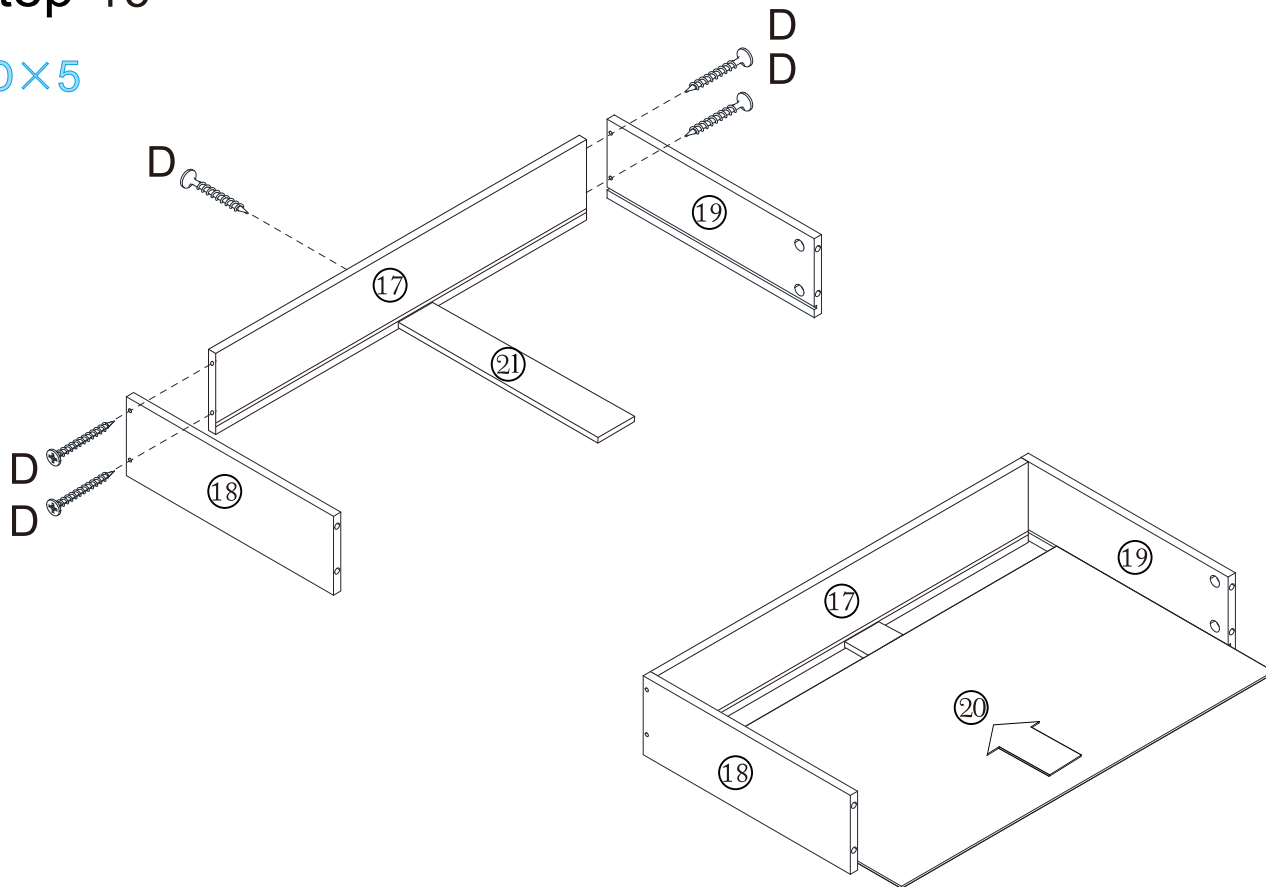
- EX30
- SX1



Step 15

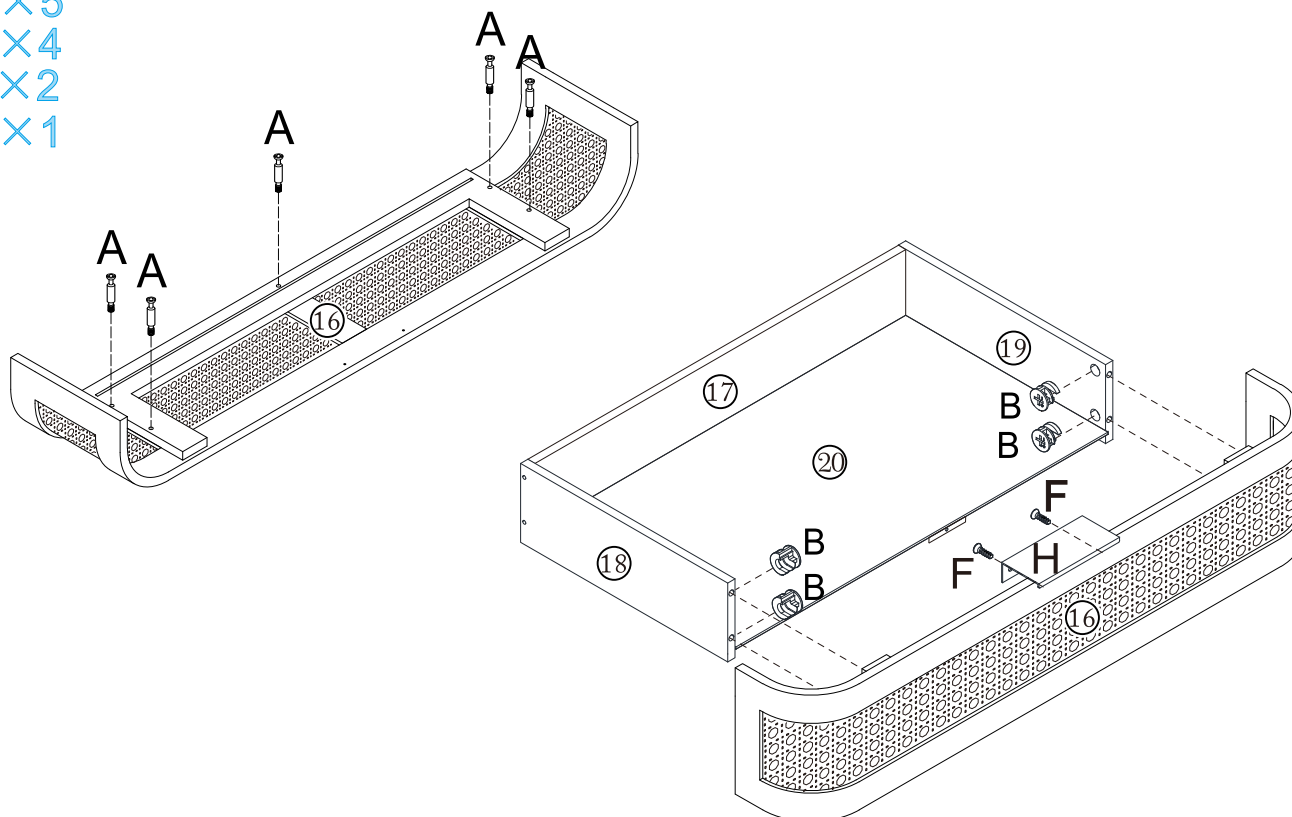
Vendor:S000403

Dx5



Step 16

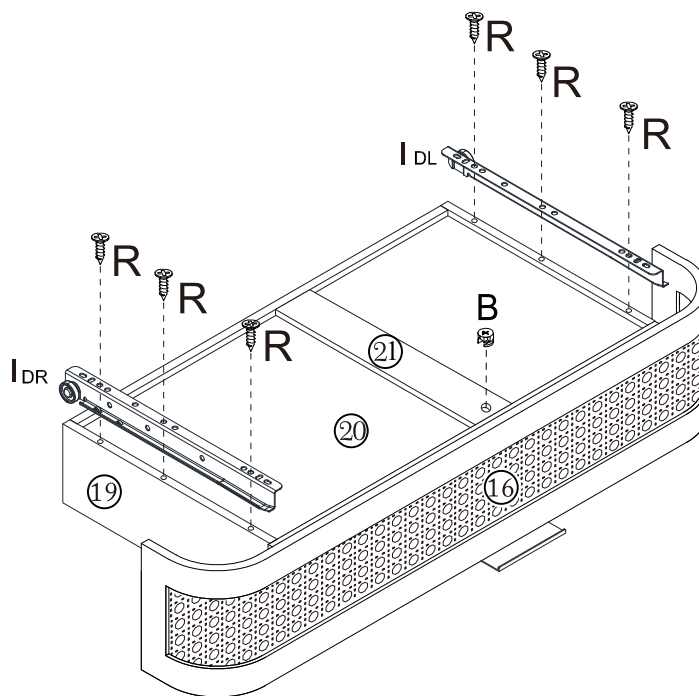
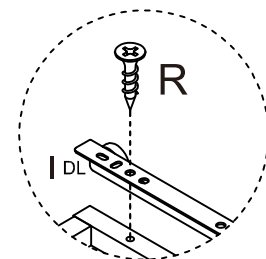
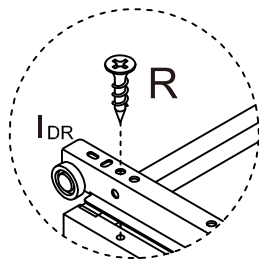
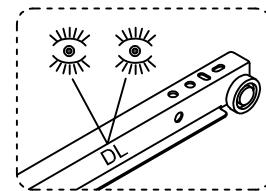
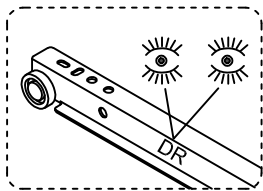
Ax5
Bx4
Fx2
Hx1



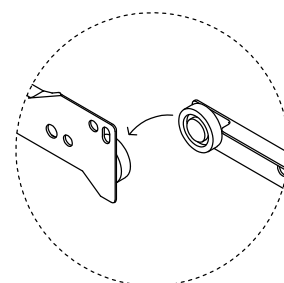
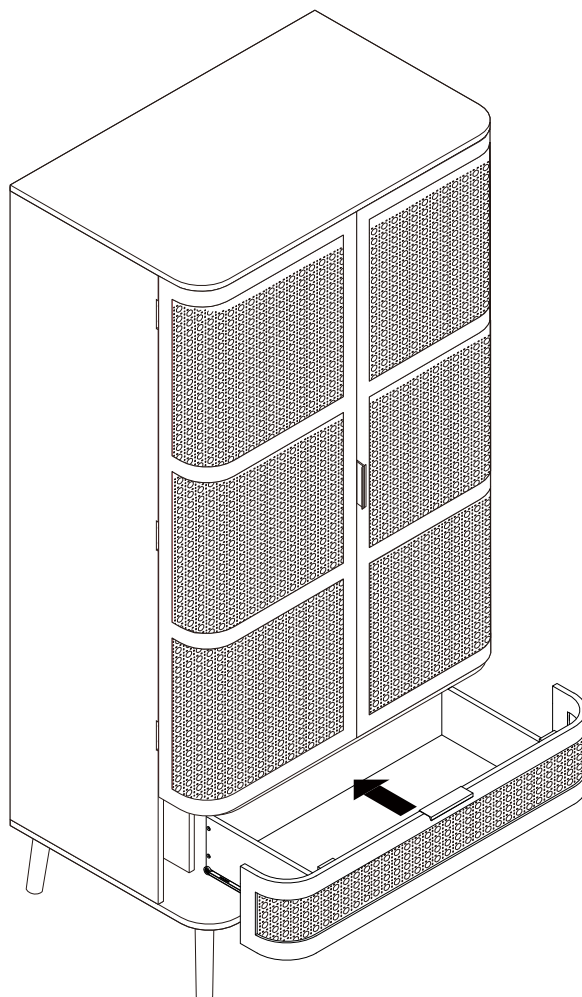
Step 17

Vendor:S000403

B×1
I(DR)×1
I(DL)×1
R×6



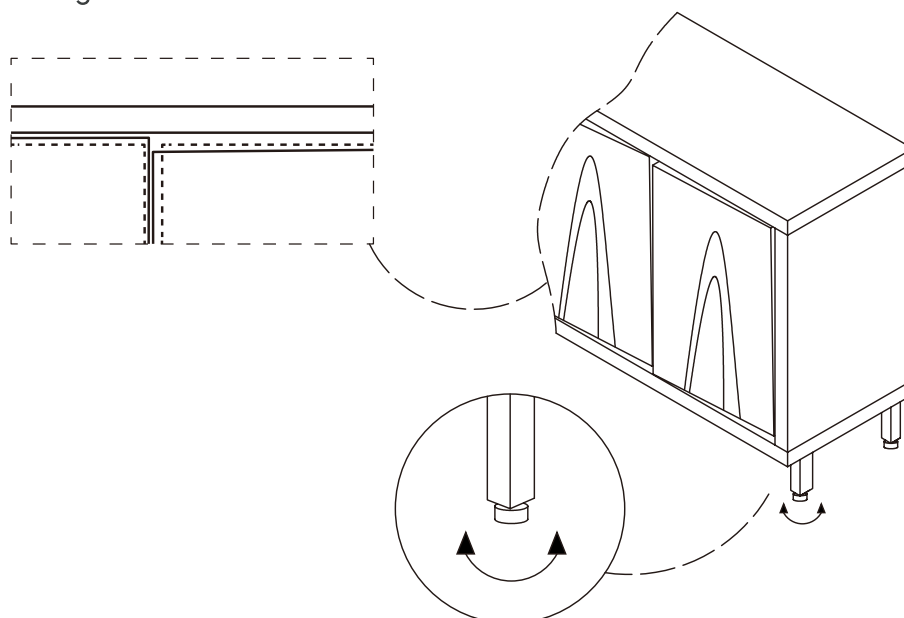
Step 18



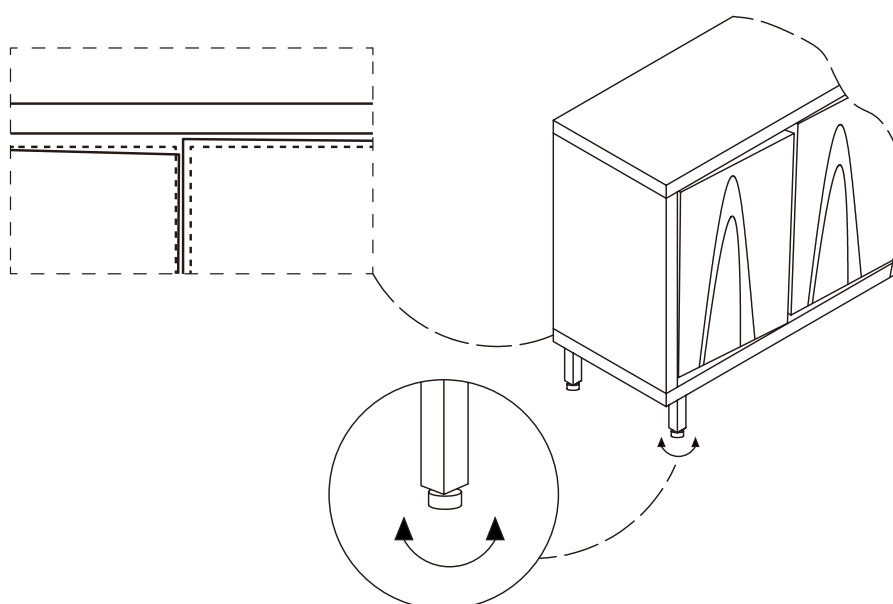
Is your cabinet door looking crooked or unevenly spaced? (Cont.)

If you're still having trouble lining everything up, your next step should be to try to adjust the feet slightly to square up the cabinet & doors. Follow the illustrations below:

If the right door appears to be hanging low, you can adjust the adjustable leveler on the front right until the door is better aligned.



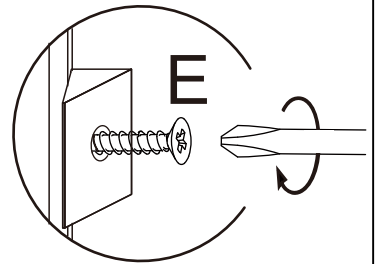
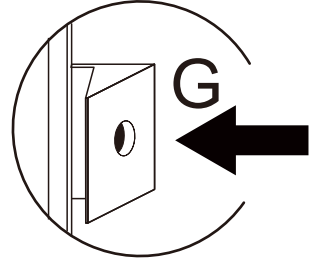
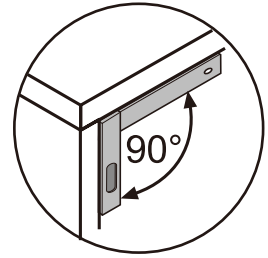
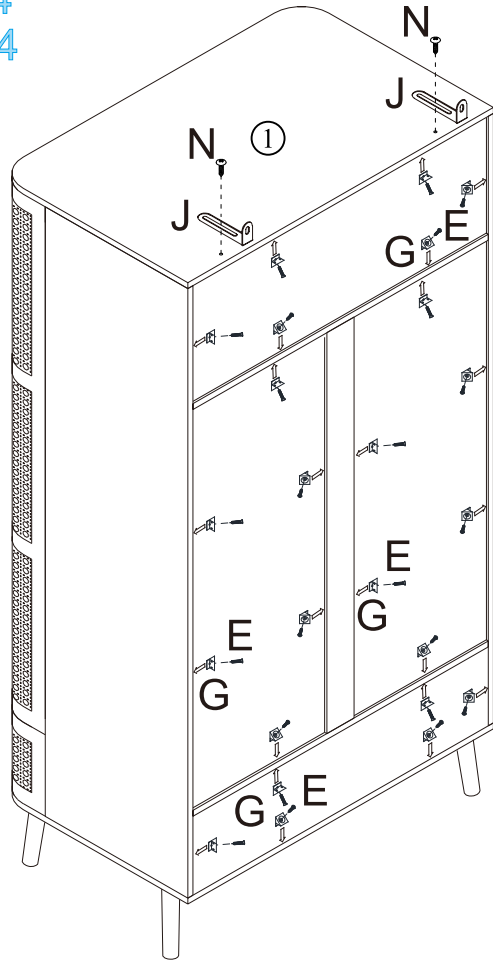
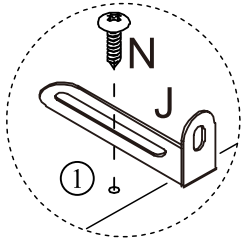
If the left door appears to be hanging low, you can adjust the adjustable leveler on the front left until the door is better aligned.



Step 19

E×24
G×24
J×2
N×2

Vendor:S000403



Step 20

K×2
L×2

