

Birlea®

Assembly Instructions

Thank you for
purchasing a
Birlea product

For a chance to win a Love2Shop voucher simply post a picture of your new product on your preferred social channels tagging Birlea Furniture. One winner will be selected at random each month.

*Terms & conditions may apply.

Are you happy with your purchase?

Yes: That's great, we would love to hear more from you. Please leave us a review on our Trustpilot link on the QR code here. Your feedback will be greatly appreciated.



No: If for any reason there is something missing, indifferent or incorrect with your order, please contact the retailer that you purchased your item from.

Please note that this items build time is around **45**minutes with **2** man build



ASSEMBLY INSTRUCTIONS NOAH 5 DRAWER CHEST

**IMPORTANT: READ THESE INSTRUCTIONS CAREFULLY BEFORE ASSEMBLING
OR USING YOUR NOAH 5 DRAWER CHEST**

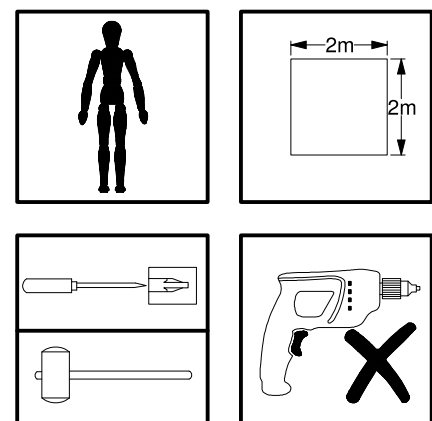
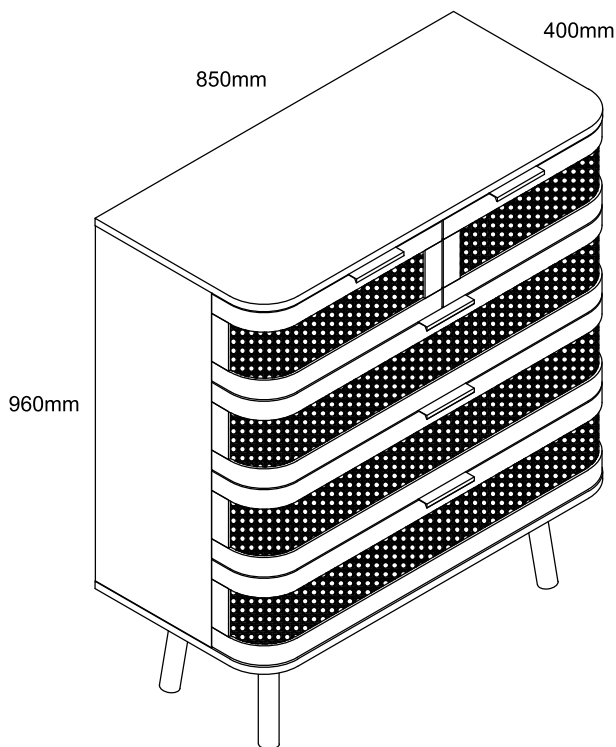
PLEASE KEEP THESE INSTRUCTIONS FOR FUTURE REFERENCE.

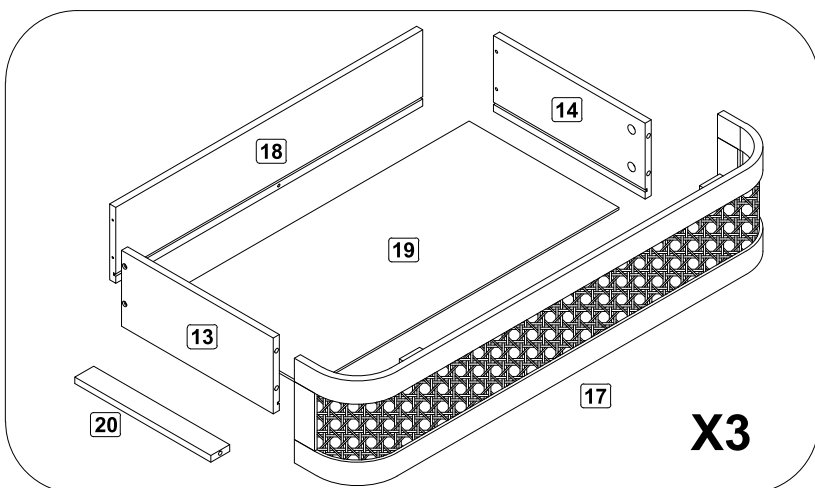
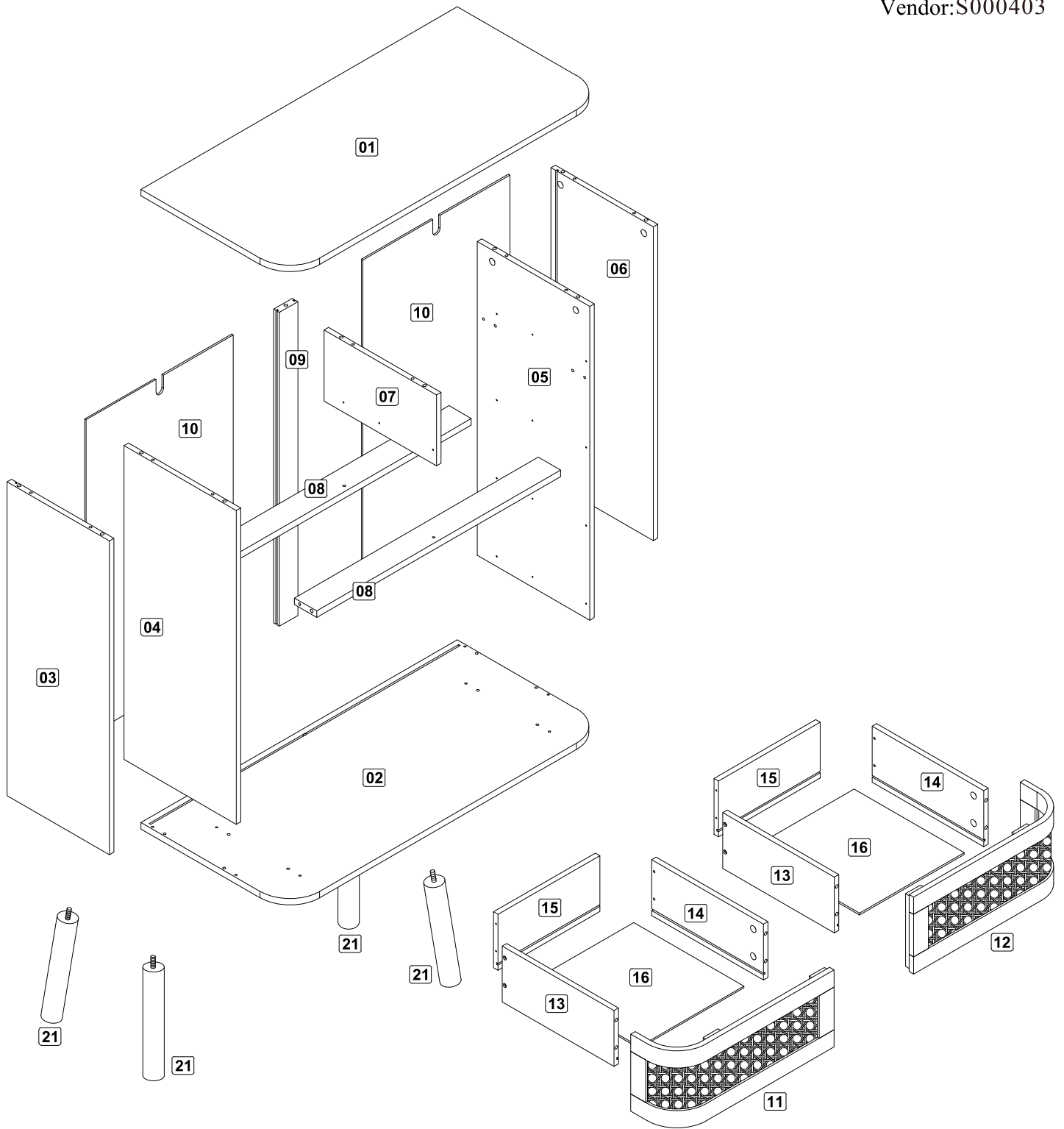
HEALTH & SAFETY:

DO NOT use this item if any parts are missing, damaged or worn.
DO NOT use this item unless all fixings are secured.
Please keep small parts out of reach of children
Always use on a level, even surface.




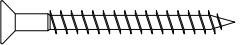
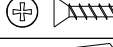

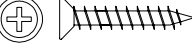

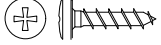







CARE & MAINTENANCE:

Assemble in the room of use
Assembly should be carried out with this item laying flat, not standing upright.
Assemble on a soft, clean surface to prevent damages.
To remove the printed numbers on the pieces, use the eraser provided
Periodically check all screws & fixings to ensure they are secure.
DO NOT push the item as this will damage the base.
Always lift the item with two people to reposition.
Keep any sharp objects away from the item.



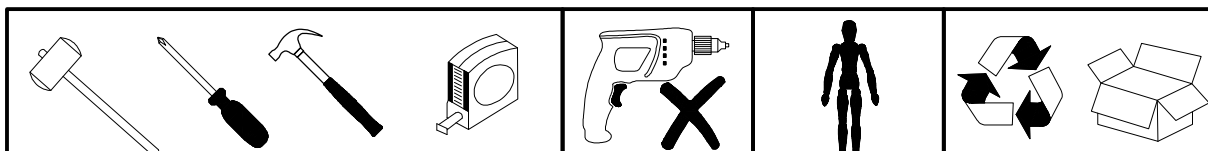


X3

Parts List				Hardware List		
Part	Description	Box	Qty	Part Description		Qty
1	Cabinet Top	1	1	A	Cam Bolt M6X35MM 	39
2	Bottom Panel	1	1	B	Cam Lock 15X10MM 	39
3	Left Side Panel	1	1	C	Wooden Dowel M6X30MM 	22
4	Left Slide Support Panel	1	1	D	Screw M4X35MM 	35
5	Right Slide Support Panel	1	1	E	Screw M3X12MM 	70
6	Right Side Panel	1	1	F	Handle 	5
7	Partition Panel	1	1	G	Screw M3X14MM 	10
8	Support Panel	1	2	H	Metal Leg Plate 	4
9	Vertical Back Stretcher	1	1	I	Screw M4X14MM 	22
10	Back Panel	1	2	J	Metal Anti Tip Bracket 	2
11	Left Side Small Drawer Front Panel	1	1	K	Wall Plug 	2
12	Right Side Small Drawer Front Panel	1	1	L	Plastic Corner Support 	10
13	Drawer Left Side Panel	1	5	M	Slide Sets METAL RUNNER 12" (CL) 	5
14	Drawer Right Side Panel	1	5		Slide Sets METAL RUNNER 12" (CR) 	
15	Small Drawer Back Panel	1	2		Slide Sets METAL RUNNER 12" (DL) 	
16	Small Drawer Bottom Panel	1	2		Slide Sets METAL RUNNER 12" (DR) 	
17	Large Drawer Front Panel	1	3			
18	Large Drawer Back Panel	1	3			
19	Large Drawar Bottom Panel	1	3			
20	Large Drawer Support Panel	1	3			
21	Feet	1	4			

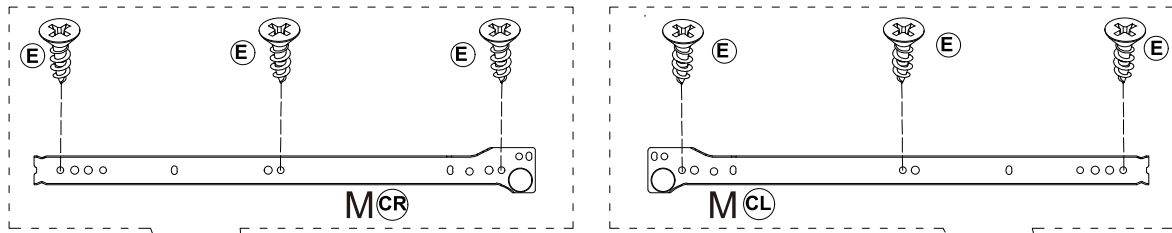
** You will need a small mallet and a screwdriver for assembly.

** Some screws and wooden dowel may remain.

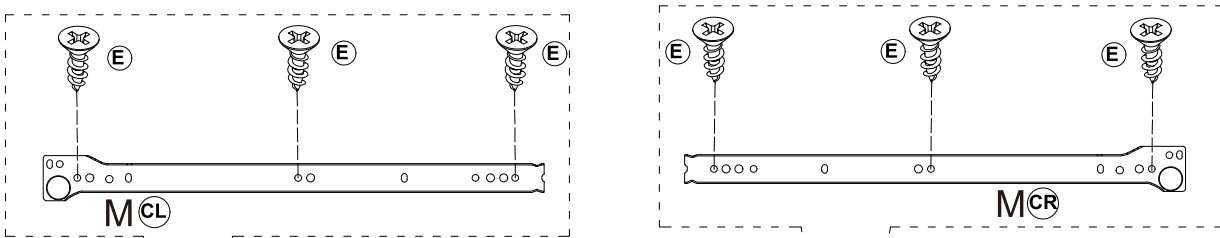
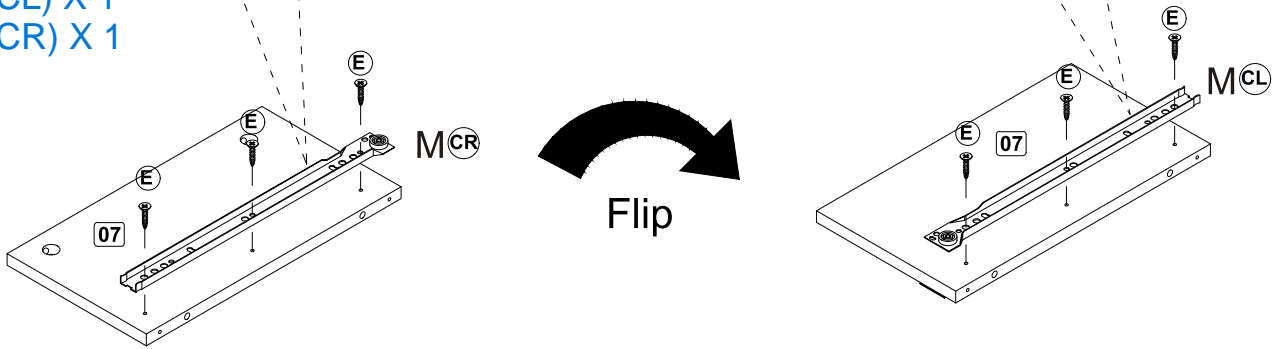


DO NOT use any power tools as this may damage the frame and will invalidate any claim.

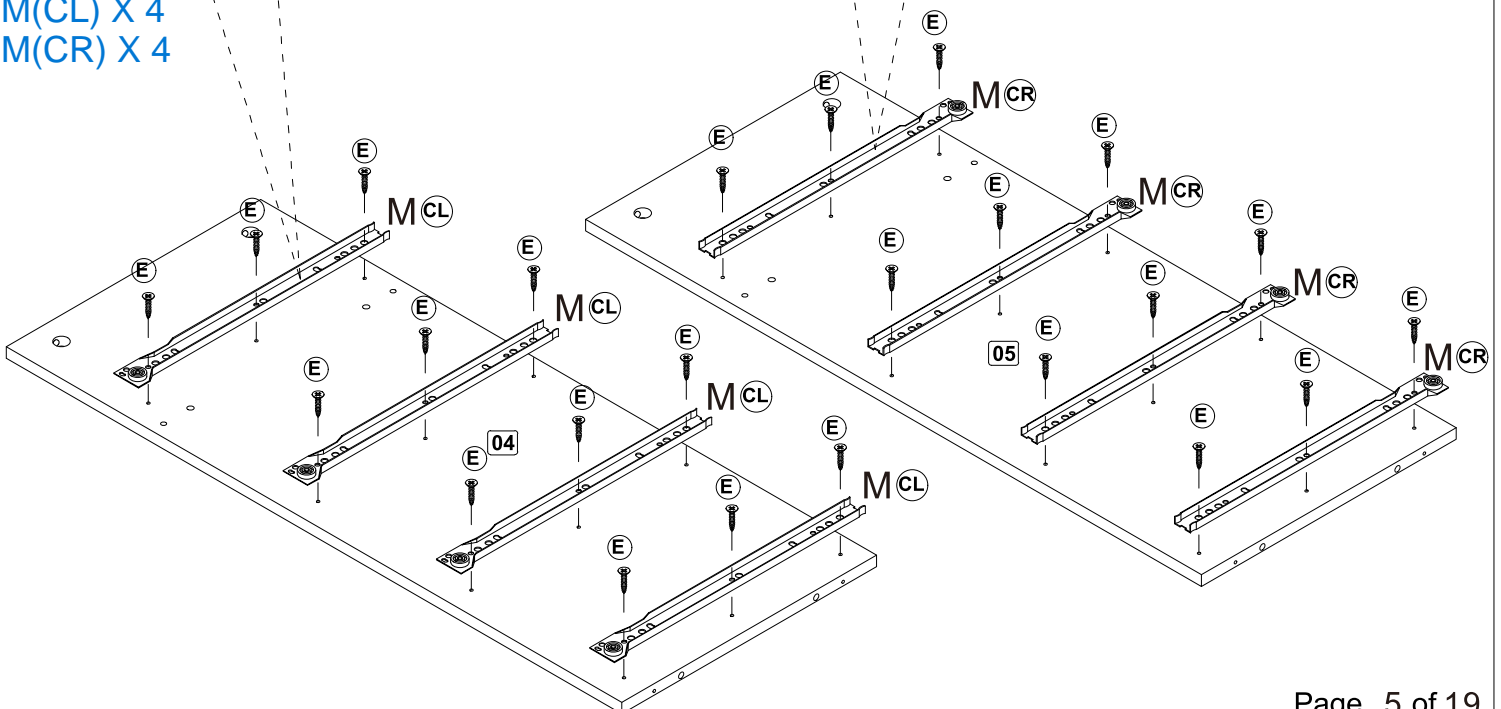
Step 1



E X 6
M(CL) X 1
M(CR) X 1



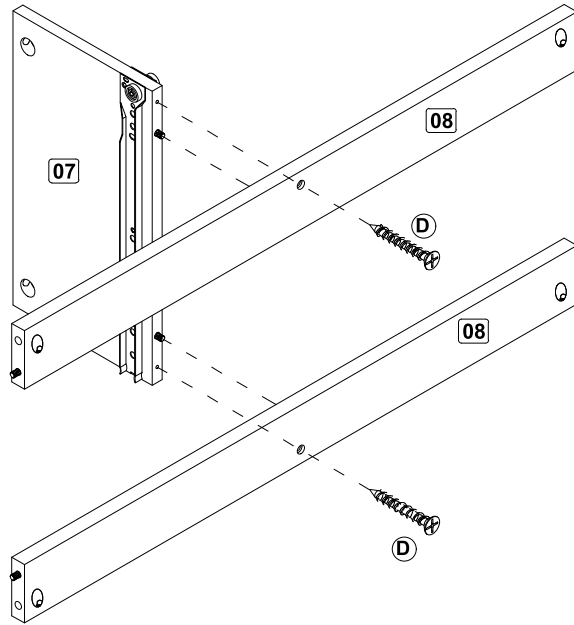
E X 24
M(CL) X 4
M(CR) X 4



Step 3

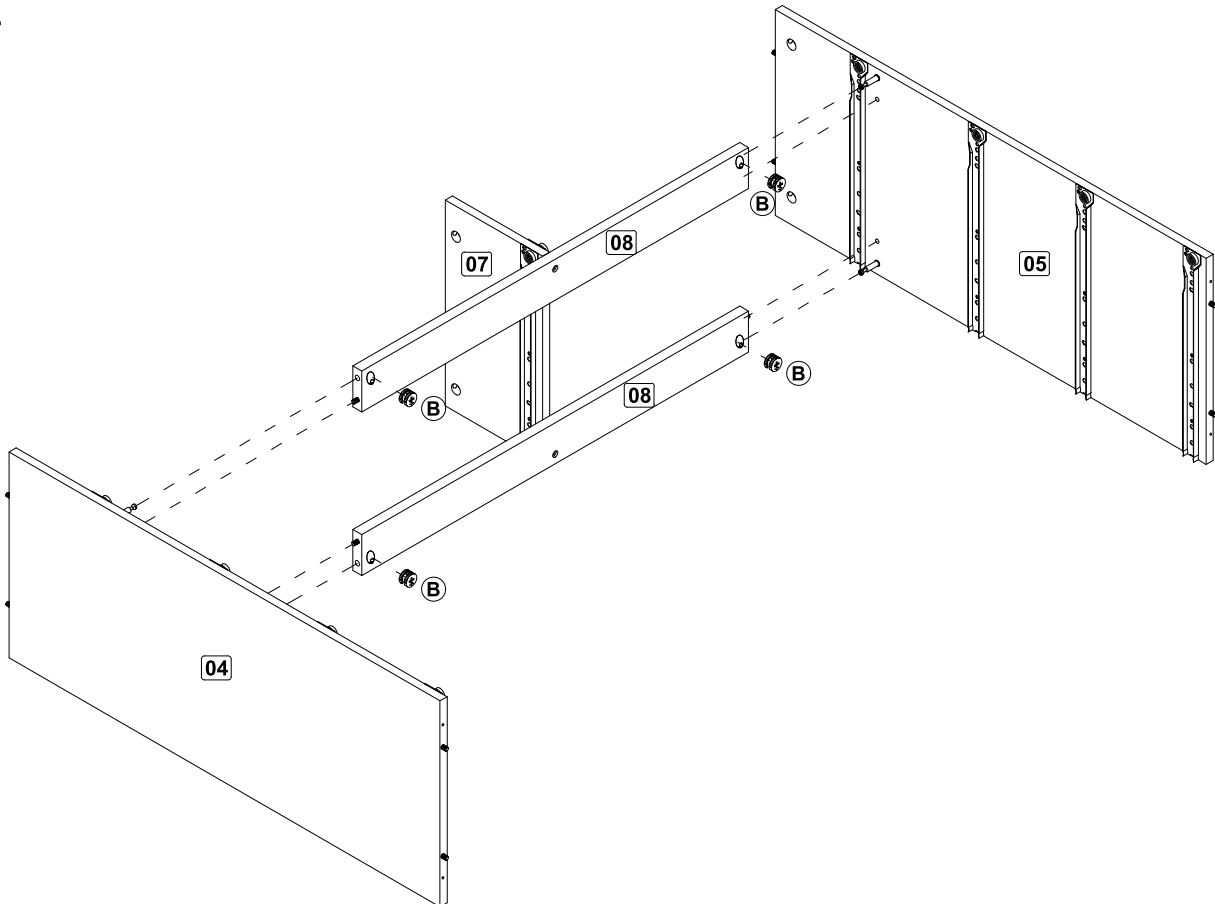
Vendor:S000403

D X 2



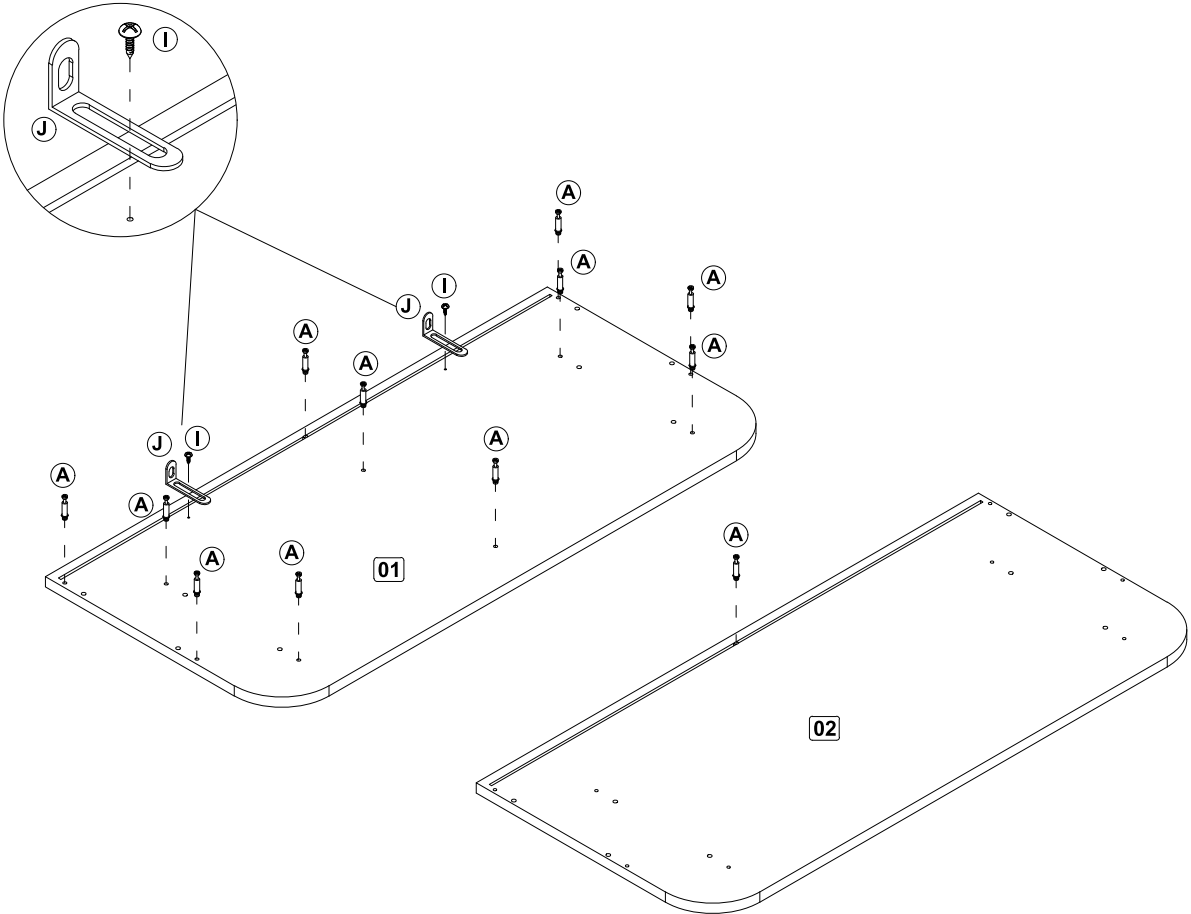
Step 4

B X 4



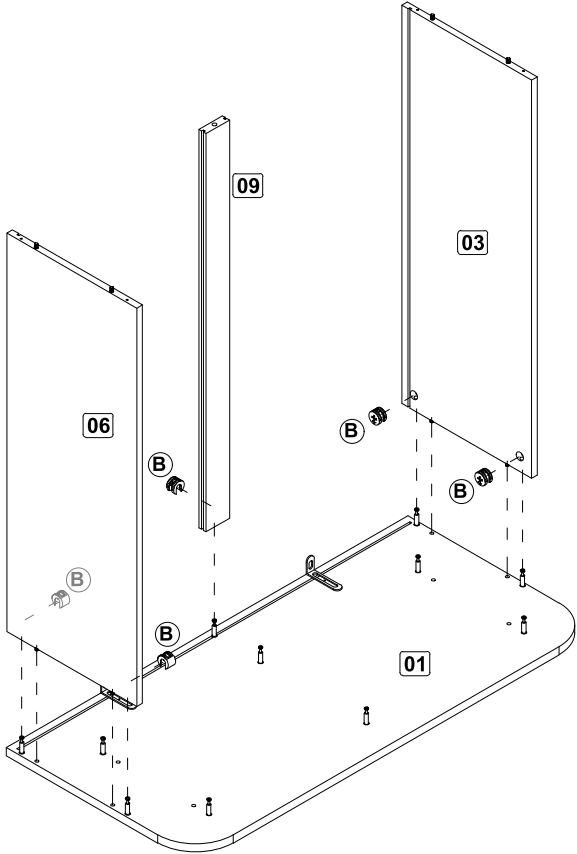
Step 5

AX 12
JX 2
IX 2



Step 6

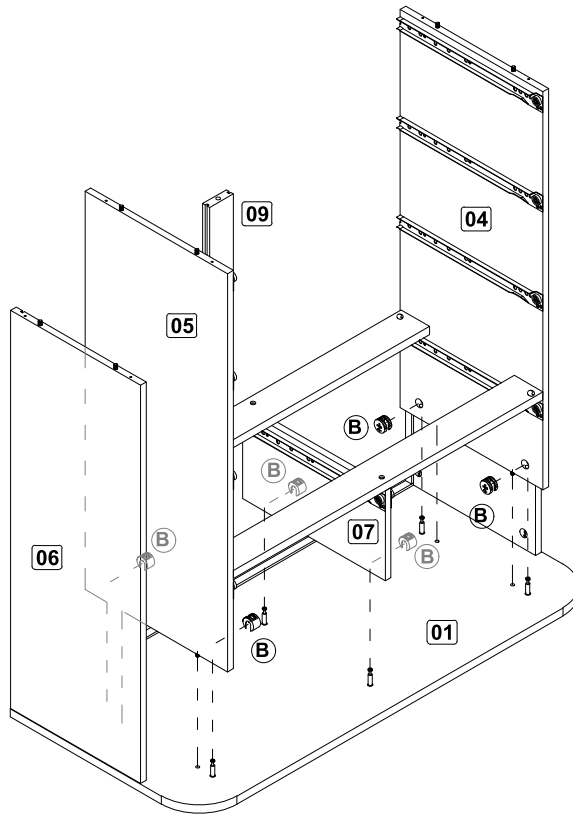
BX 5



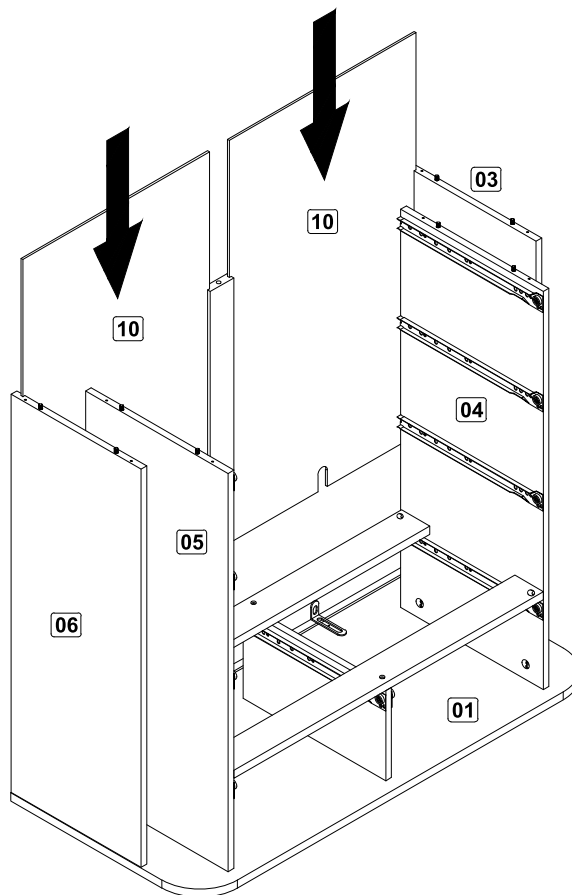
Step 7

Vendor:S000403

B X 6

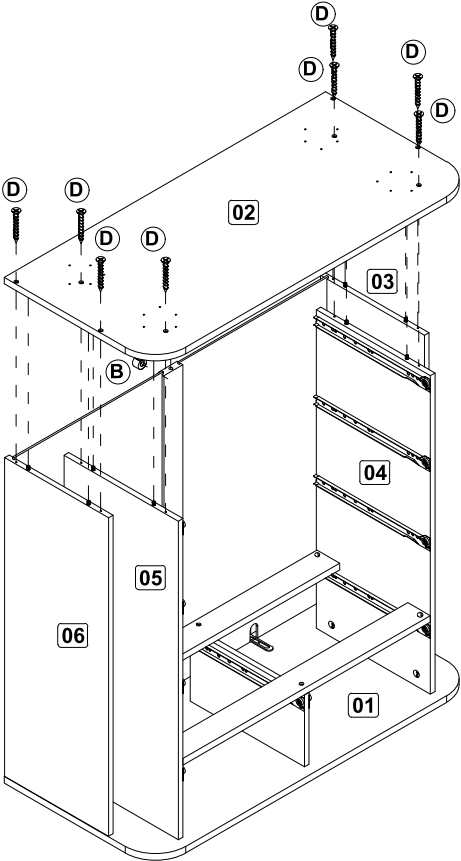


Step 8



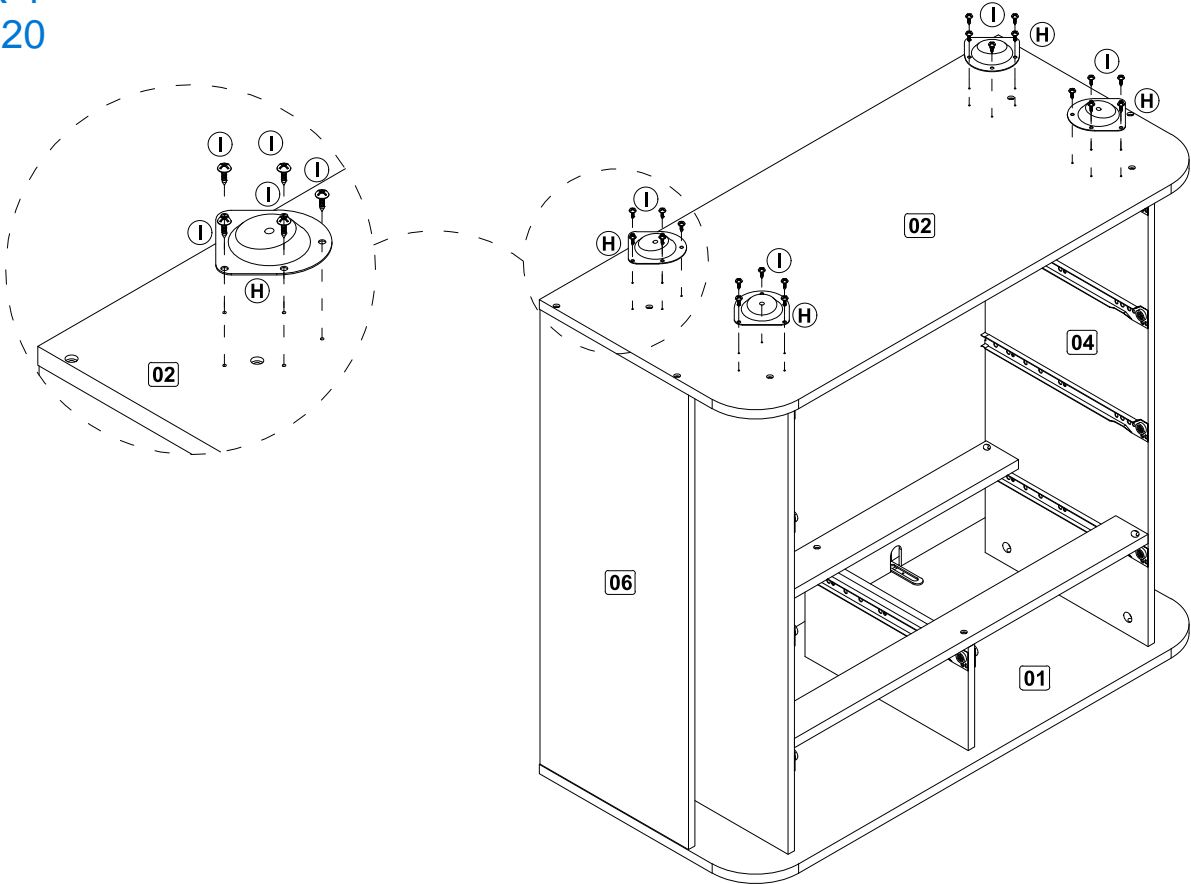
Step 9

B X 1
D X 8



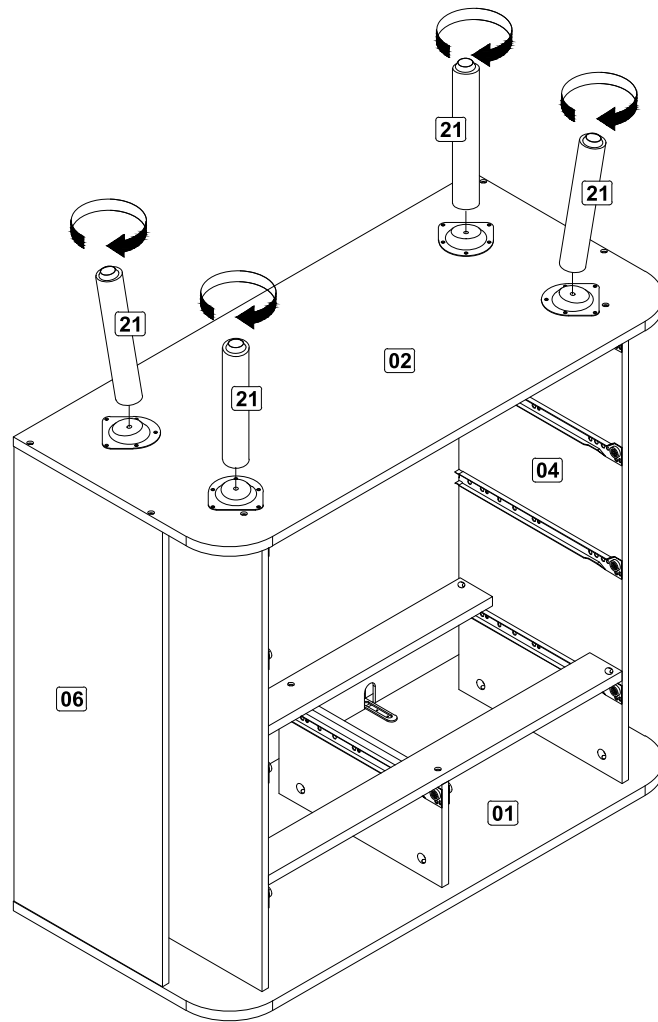
Step 10

H X 4
I X 20



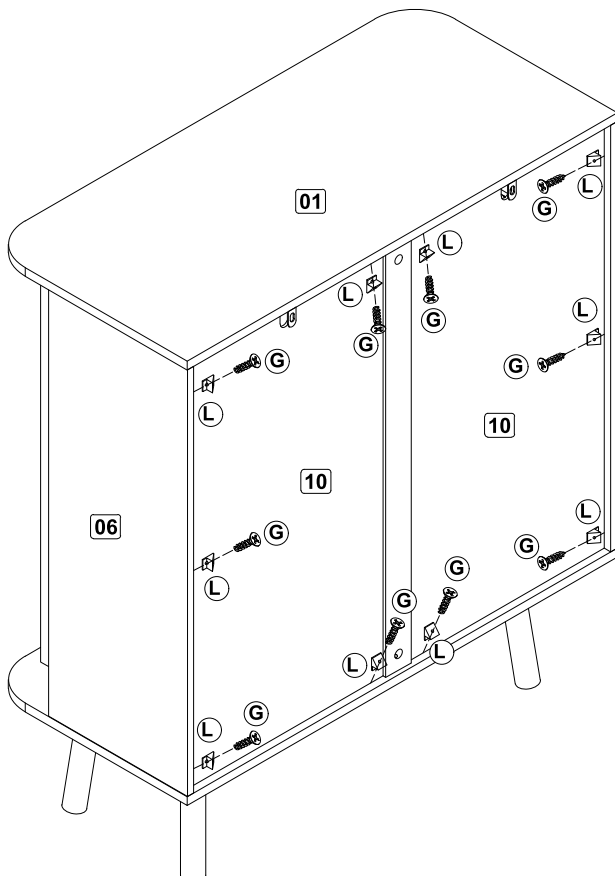
Step 11

Vendor:S000403

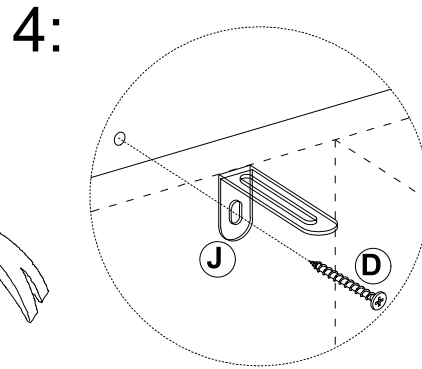
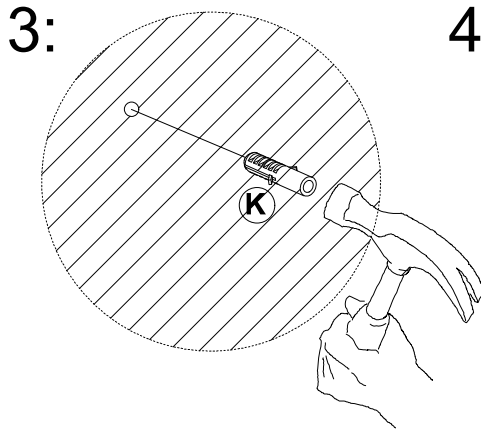
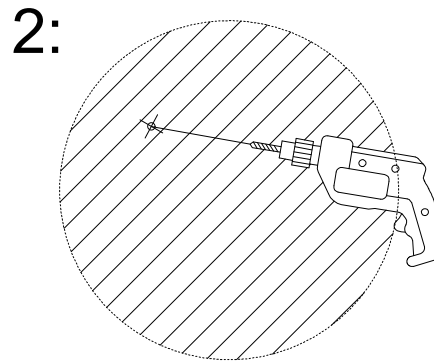
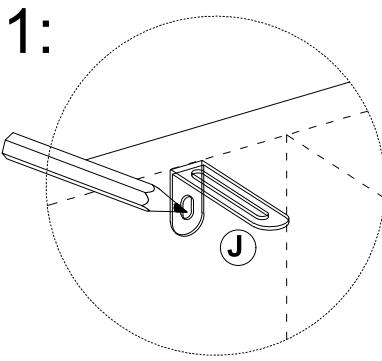


Step 12

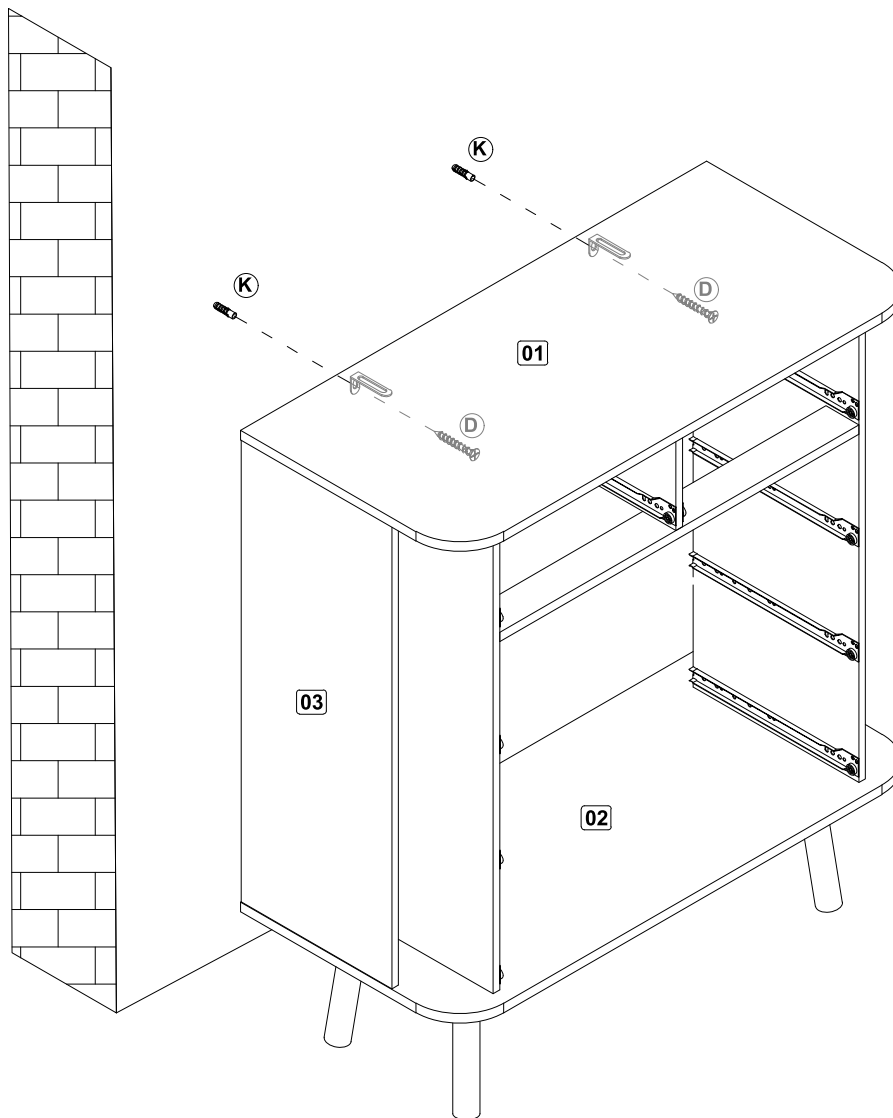
G X 10
L X 10



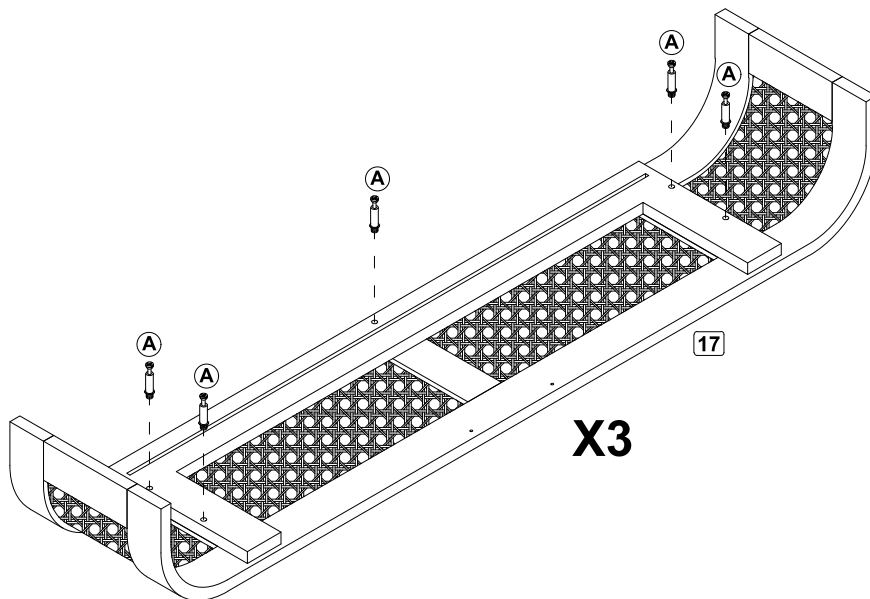
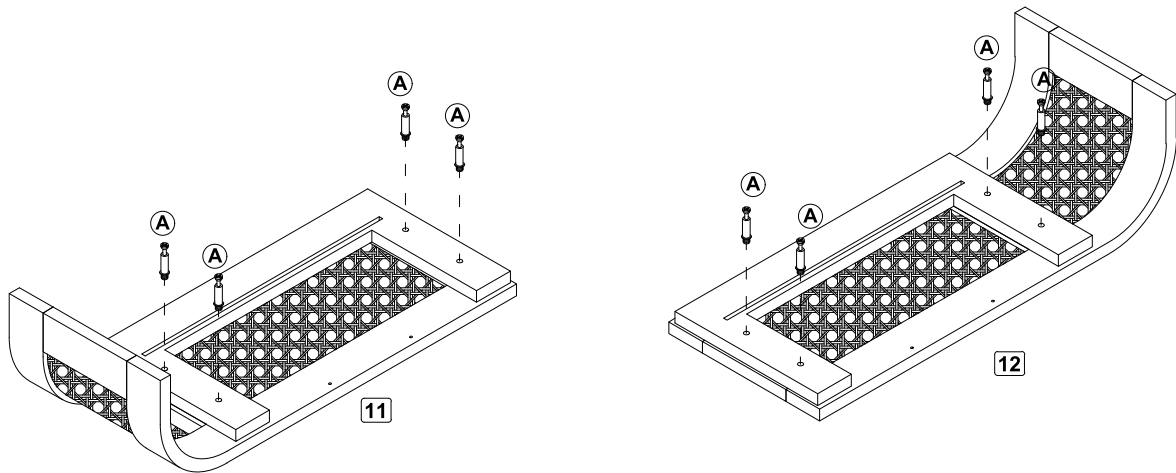
DX2
KX2



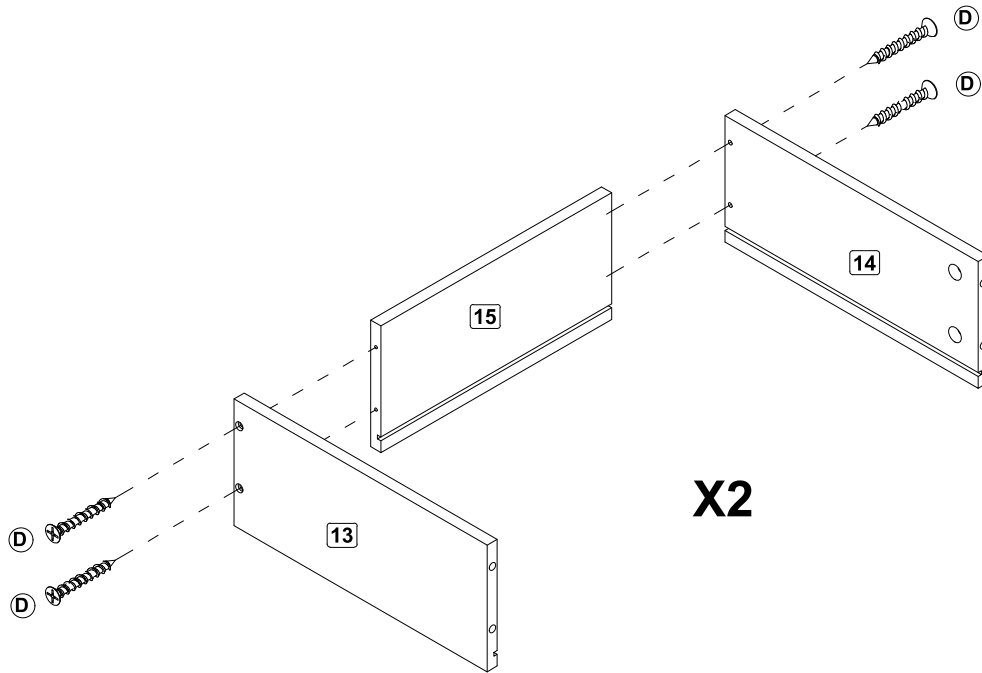
WALL



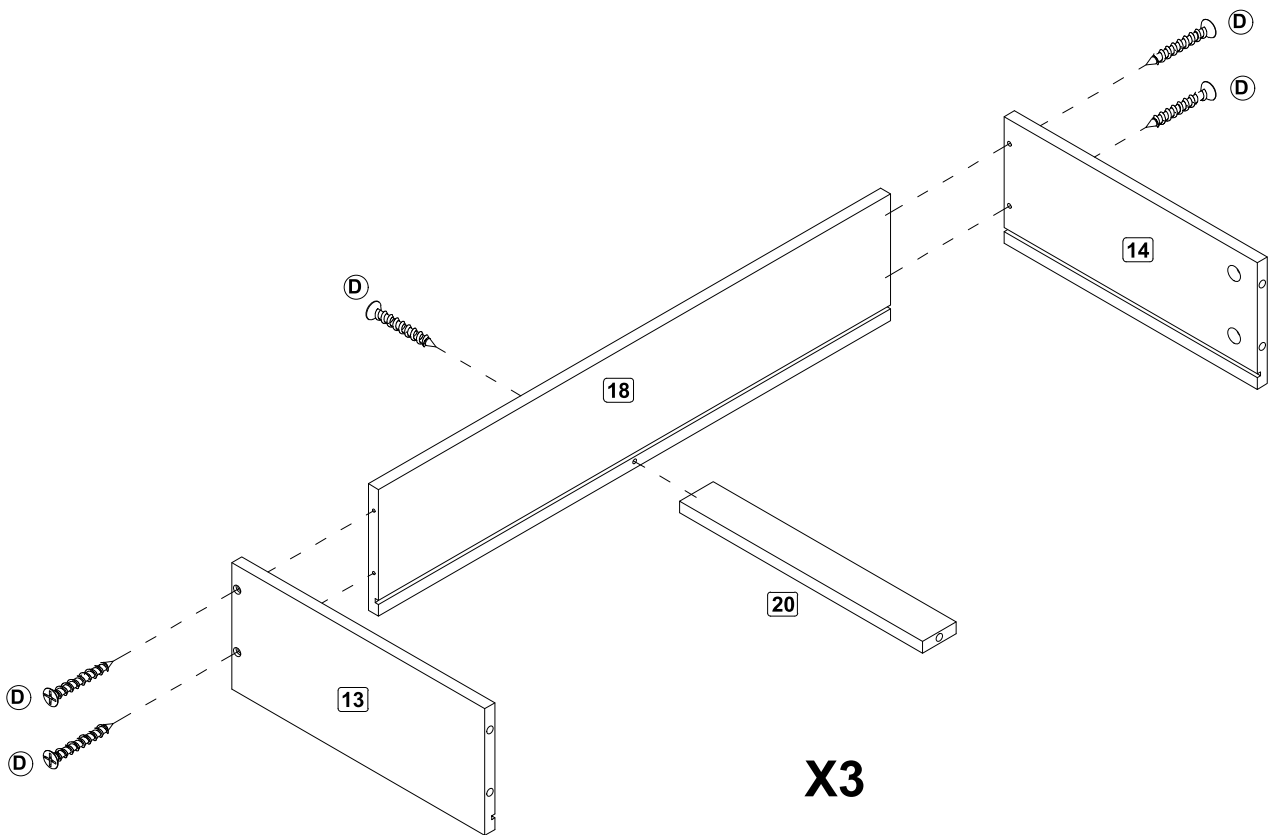
A X 23



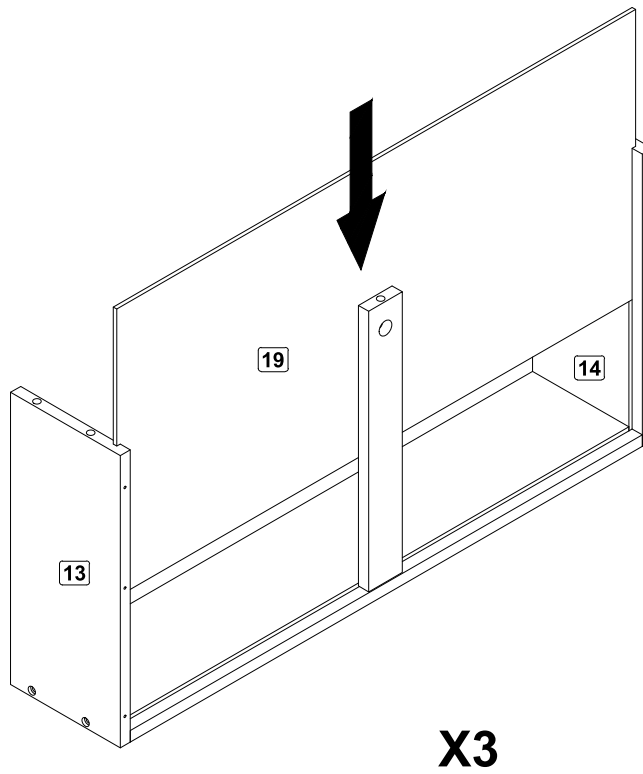
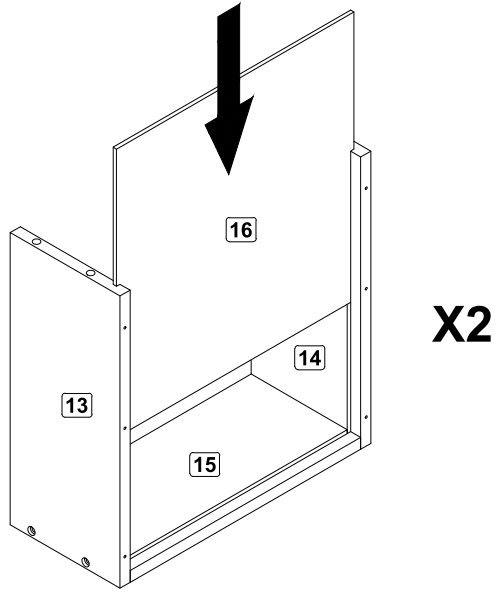
D X 23



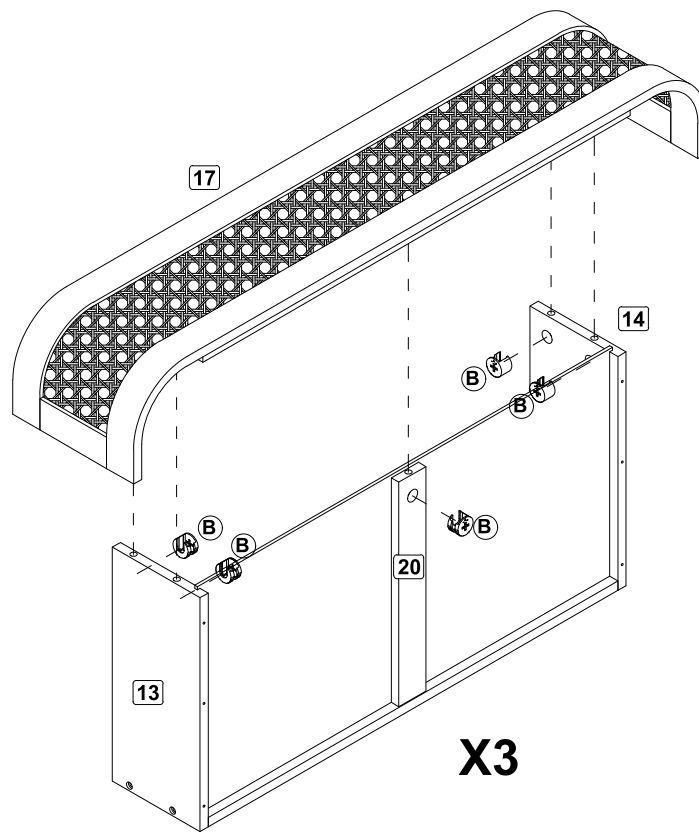
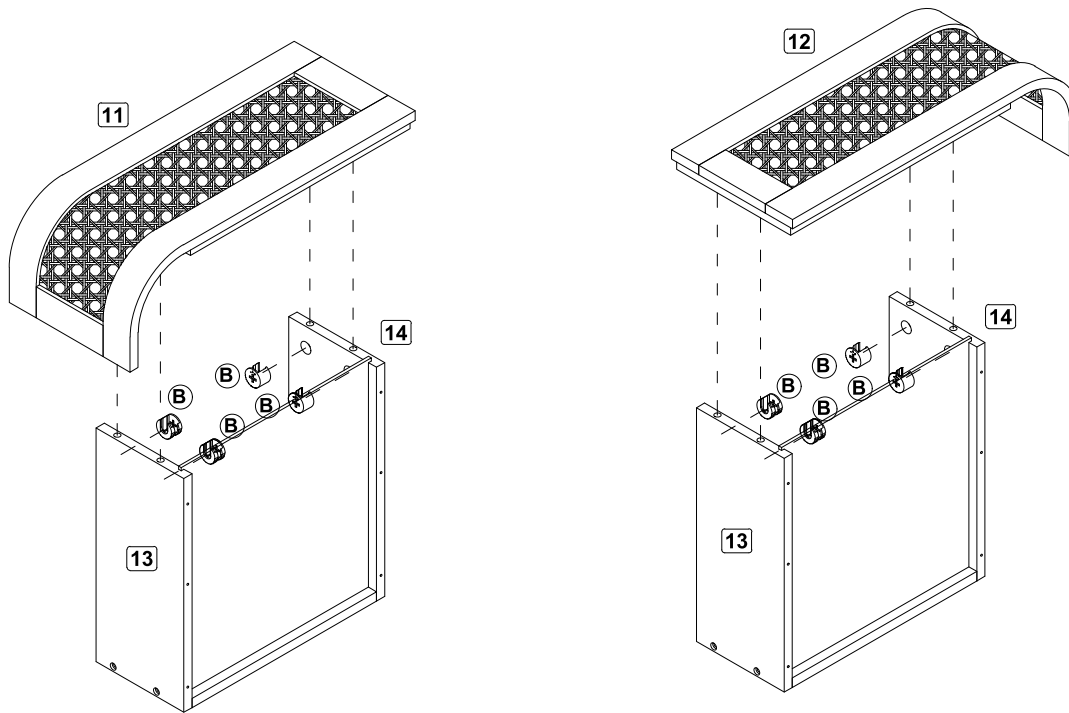
X2



X3



B X 23

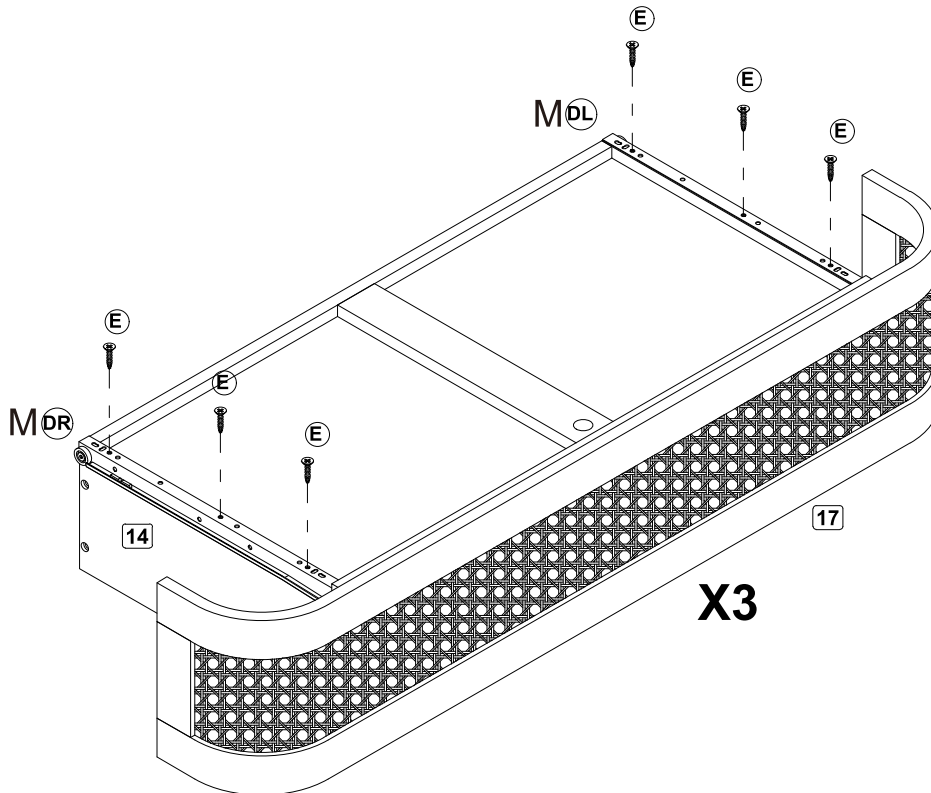
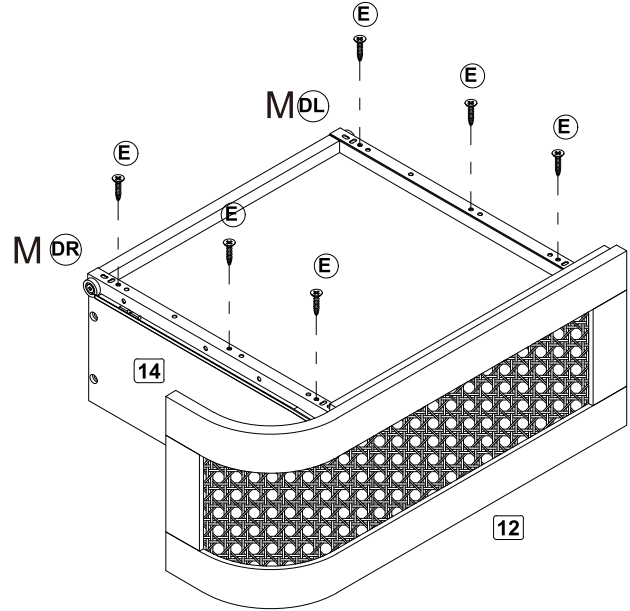
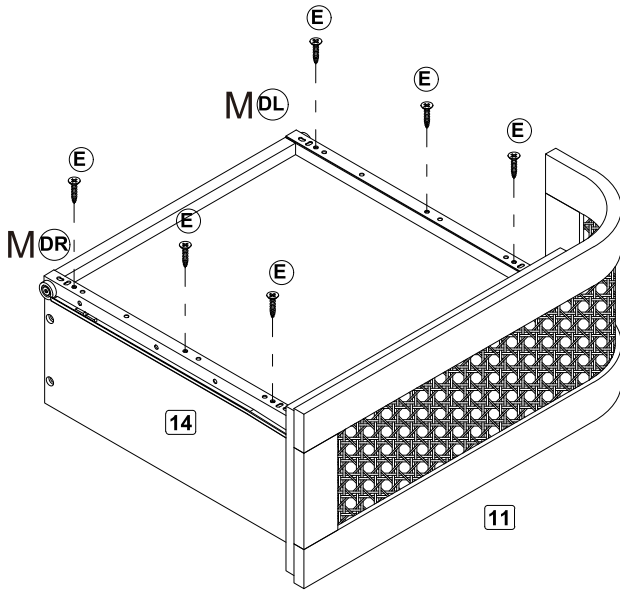
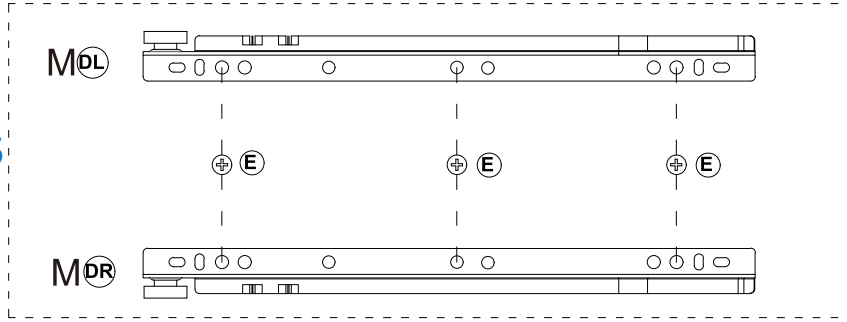


X3

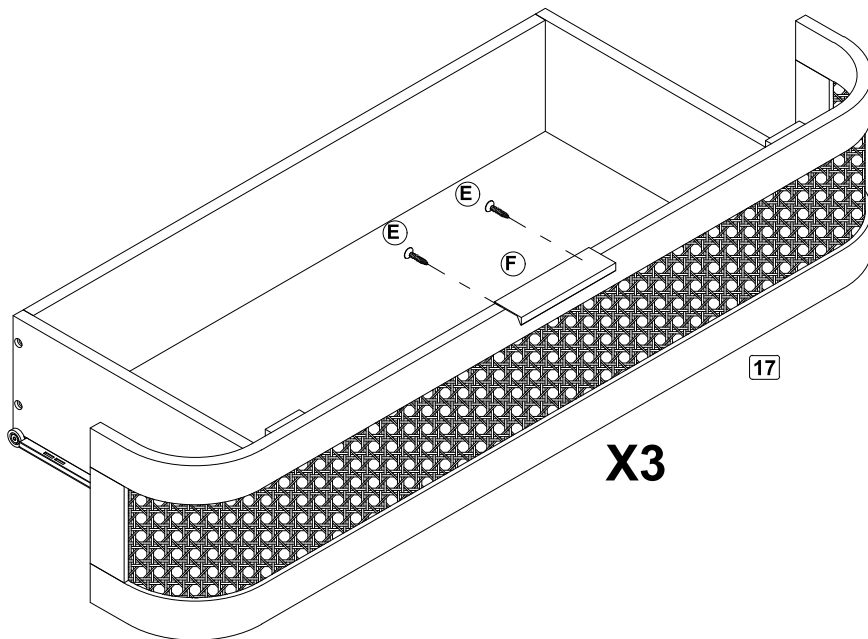
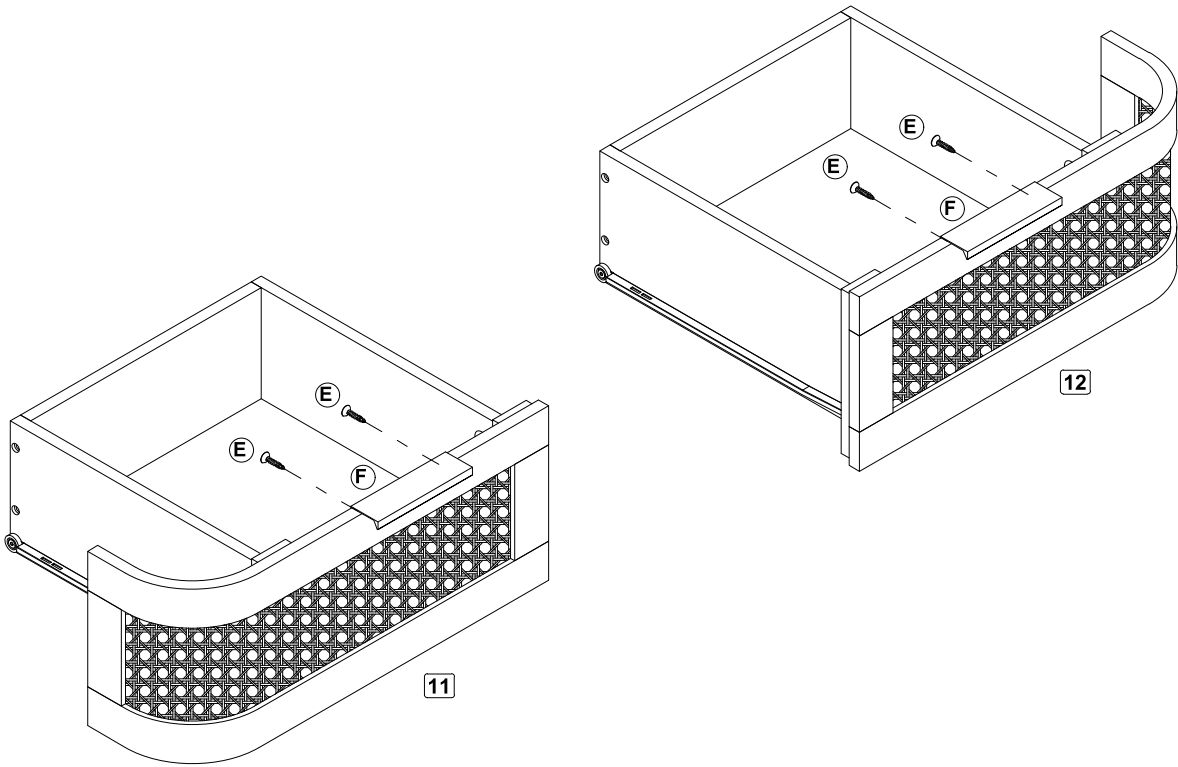
Step 18

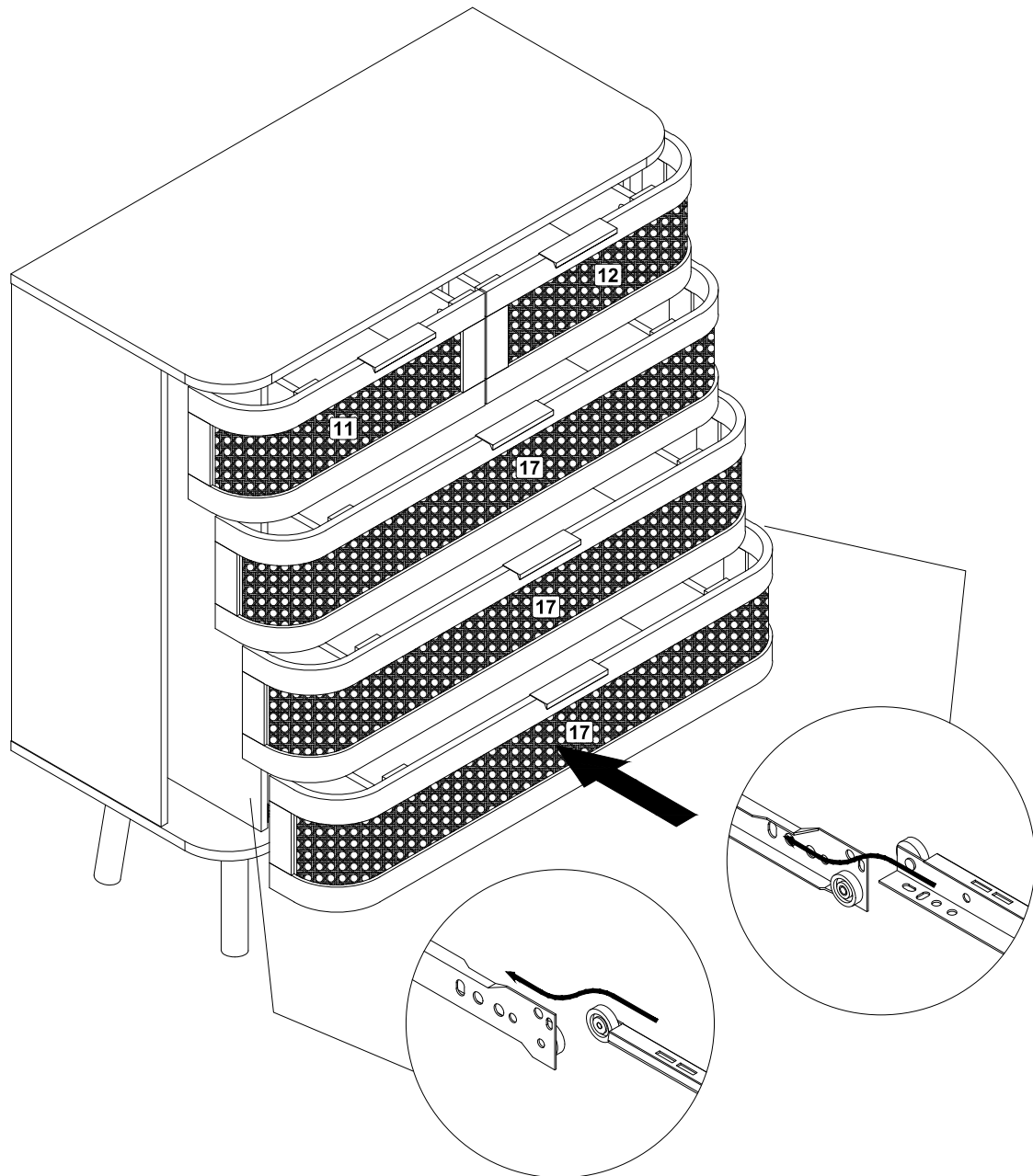
Vendor:S000403

E X 30
M(DL) X 5
M(DR) X 5



E X 10
F X 5





Additional Information:

- For complete product information, images and dimension diagrams please visit the website www.birlea.com
- If you have any issues with your item please contact the retailer directly you purchased it from who will be able to resolve any issues with Birlea.
- Why don't you send us photos of your assembled furniture to info@birlea.com to be shared in our #birleahome feature on Instagram.