

# Birlea®

## Assembly Instructions

---

Thank you for  
purchasing a  
Birlea product

For a chance to win a Love2Shop voucher simply post a picture of your new product on your preferred social channels tagging Birlea Furniture. One winner will be selected at random each month.

\*Terms & conditions may apply.

---

**Are you happy with your purchase?**

**Yes:** That's great, we would love to hear more from you. Please leave us a review on our Trustpilot link on the QR code here. Your feedback will be greatly appreciated.



**No:** If for any reason there is something missing, indifferent or incorrect with your order, please contact the retailer that you purchased your item from.

Please note that this items build time is around **30**minutes with **2** man build



[www.birlea.com](http://www.birlea.com)

## ASSEMBLY INSTRUCTIONS NOAH 2 DRAWER BEDSIDE

**IMPORTANT: READ THESE INSTRUCTIONS CAREFULLY BEFORE ASSEMBLING OR USING NOAH 2 DRAWER BEDSIDE.**

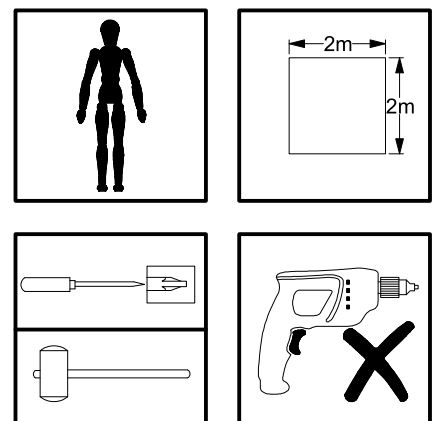
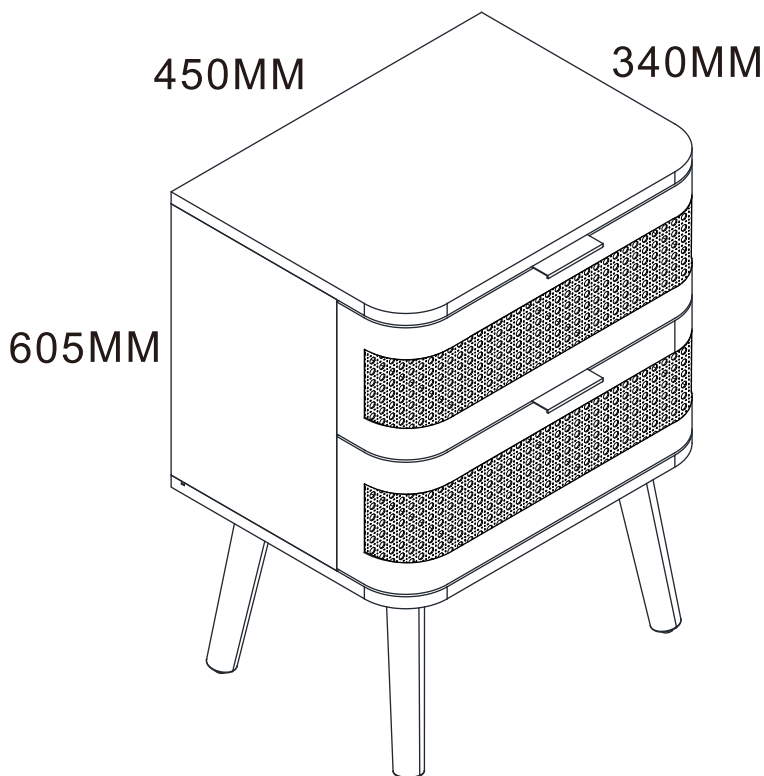
**PLEASE KEEP THESE INSTRUCTIONS FOR FUTURE REFERENCE.**

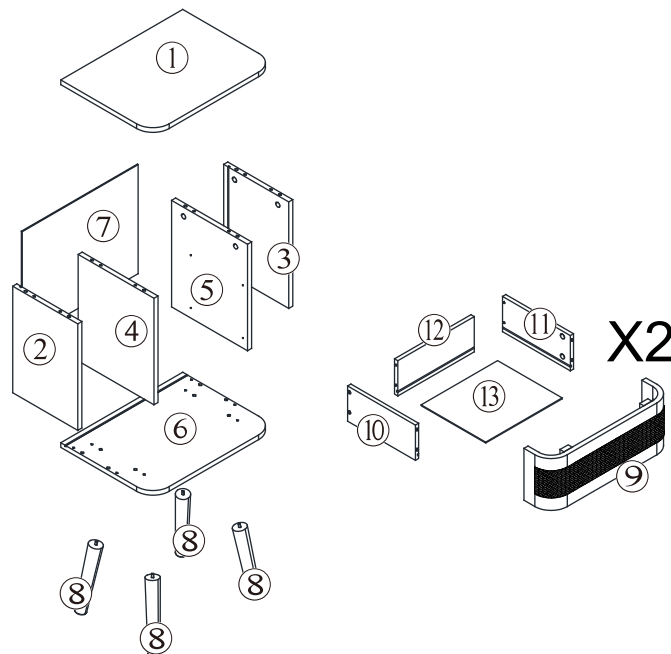
### **HEALTH & SAFETY:**



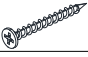









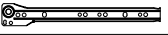



DO NOT use this item if any parts are missing, damaged or worn.  
DO NOT use this item unless all fixings are secured.  
Please keep small parts out of reach of children  
Always use on a level, even surface.

### **CARE & MAINTENANCE:**

Assemble in the room of use  
Assembly should be carried out with this item laying flat, not standing upright.  
Assemble on a soft, clean surface to prevent damages.  
To remove the printed numbers on the pieces, use the eraser provided  
Periodically check all screws & fixings to ensure they are secure.  
DO NOT push the item as this will damage the base.  
Always lift the item with two people to reposition.  
Keep any sharp objects away from the item.





Parts List				Hardware List			
Part	Description	Box	Qty	Part	Description		Qty
1	Cabinet Top	1	1	A	Wooden Dowel M6X30MM		16
2	Left Side Panel	1	1	B	Cam Bolt M6X35MM		16
3	Right Side Panel	1	1	C	Cam Lock 15X10MM		16
4	Left Slide Support Panel	1	1	D	Screw M4X35MM		18
5	Right Slide Support Panel	1	1	E	Screw M4X12MM		22
6	Bottom Panel	1	1	F	Metal Leg Plate		4
7	Back Panel	1	1	G	Plastic Corner Support		4
8	Feet	1	4	H	Screw M3X14MM		4
9	Drawer Front Panel	1	2	I	Screw M3X12MM		24
10	Drawer Left Side Panel	1	2	J	Screw M3.5X14MM		4
11	Drawer Right Side Panel	1	2	K	Nylon Anti Tip Strap		2
12	Drawer Back Panel	1	2	L	Handle		2
13	Drawer Bottom Panel	1	2	M	Wall Plug		2
				N	Slide Sets METAL RUNNER 10" (CR)		2
					Slide Sets METAL RUNNER 10" (CL)		
					Slide Sets METAL RUNNER 10" (DL)		
					Slide Sets METAL RUNNER 10" (DR)		

**\*\* You will need a small mallet and a screwdriver for assembly.**

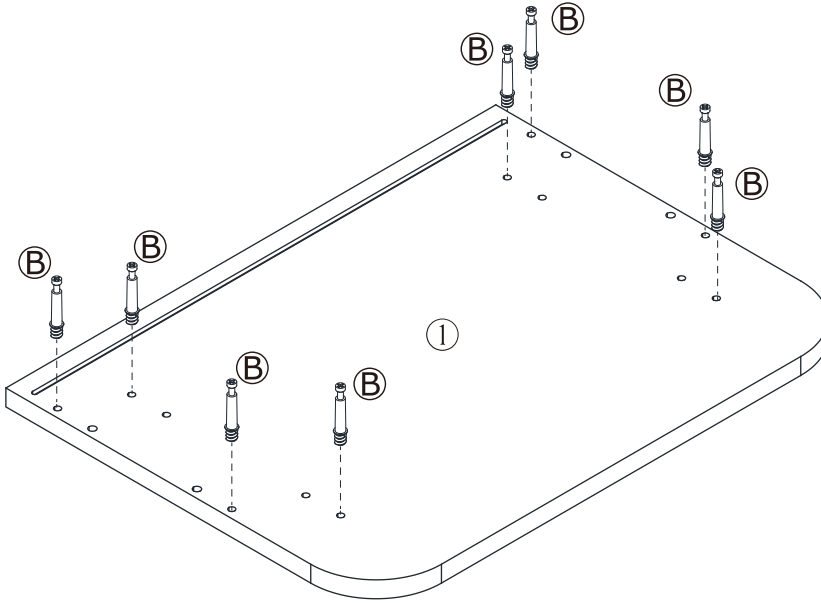
**\*\* Some screws and wooden dowel may remain.**



DO NOT use any power tools as this may damage the frame and will invalidate any claim.

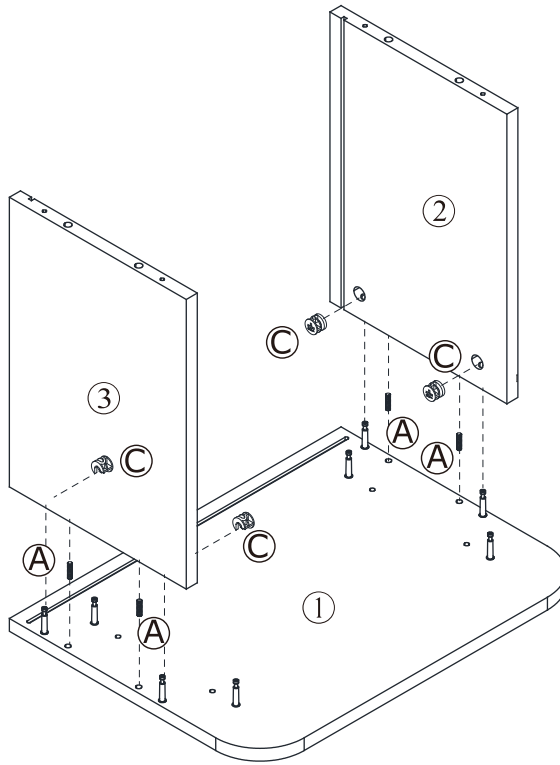
Step 1

B x 8



Step 2

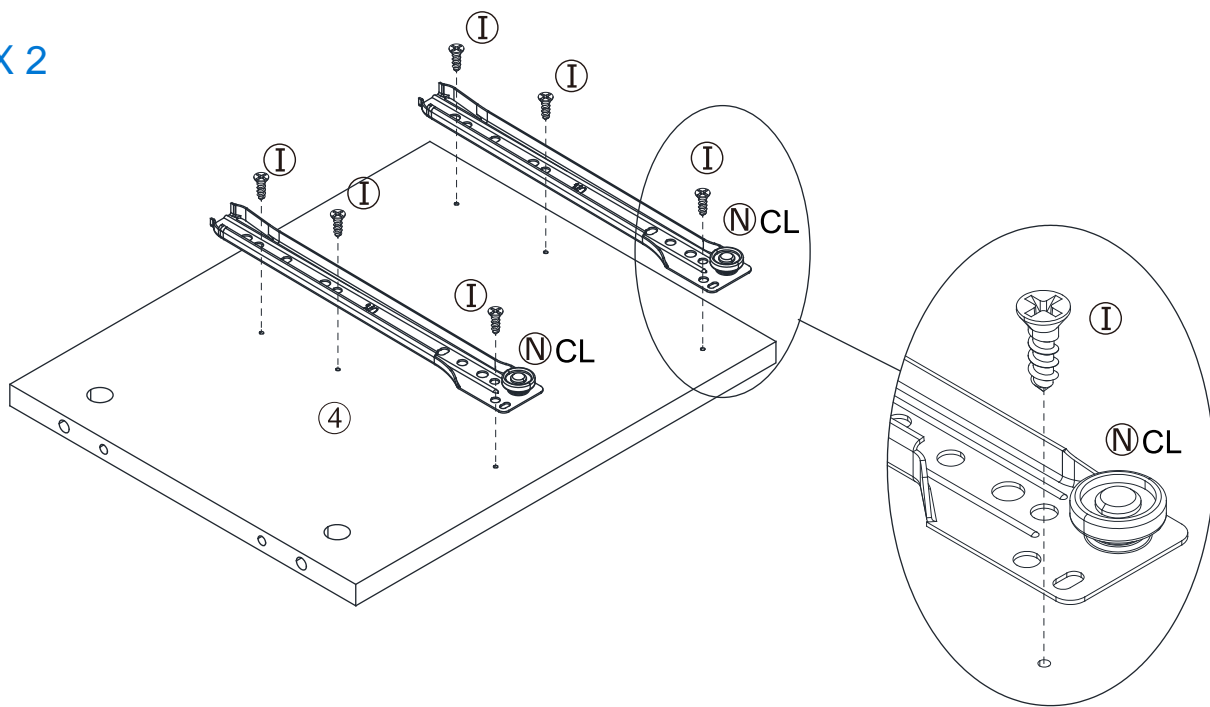
A x 4  
C x 4



Step 3

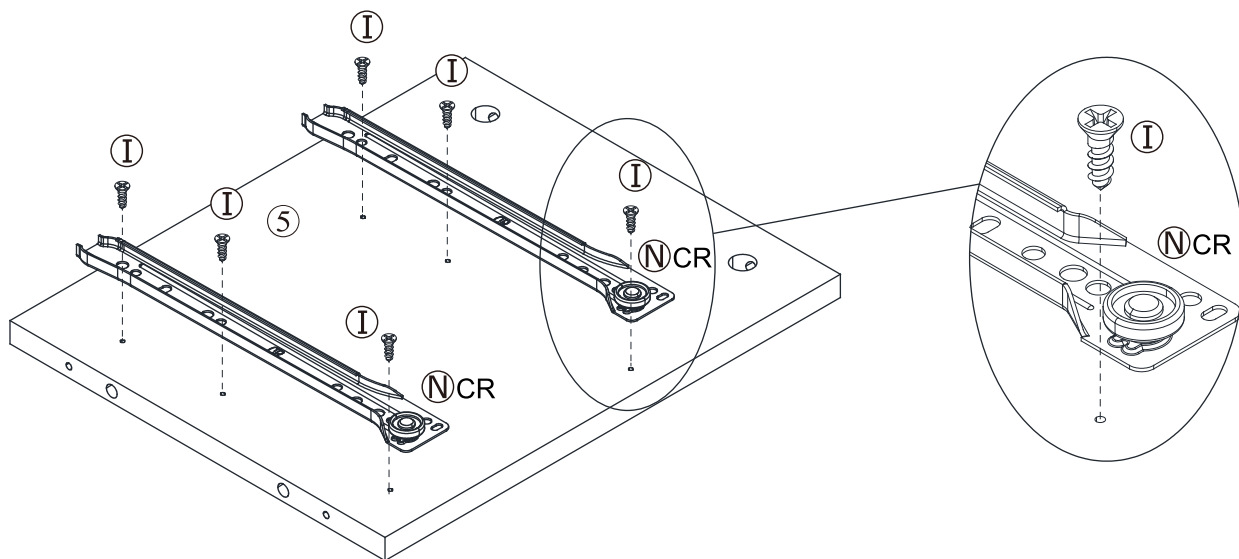
Vendor:S000403

I X 6  
N(CL) X 2



Step 4

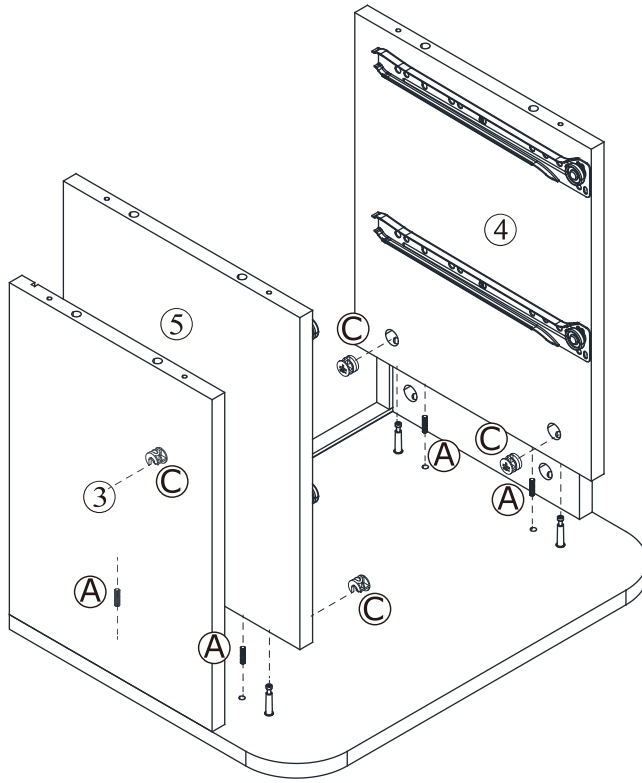
I X 6  
N(CR) X 2



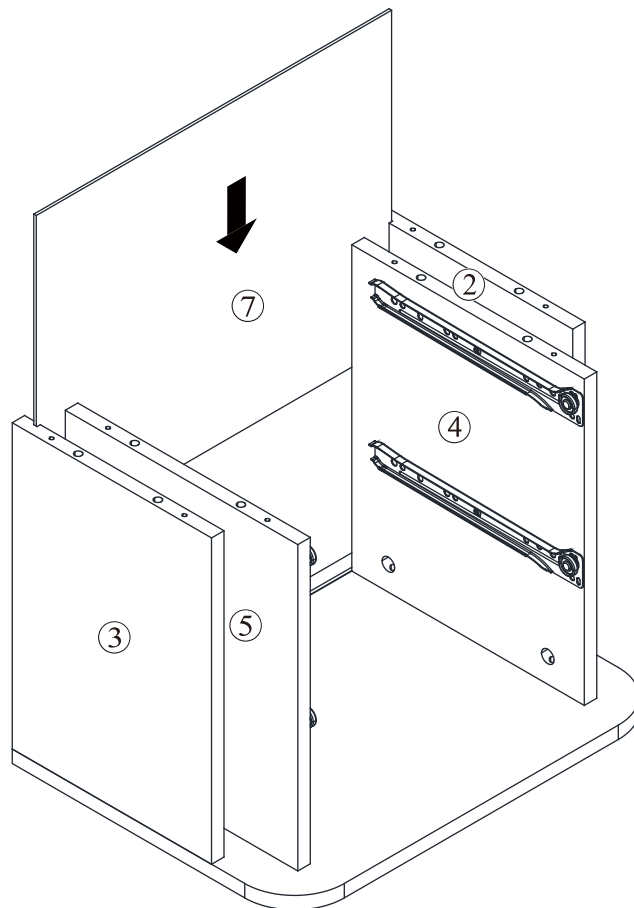
**Step 5**

Vendor:S000403

A X 4  
C X 4



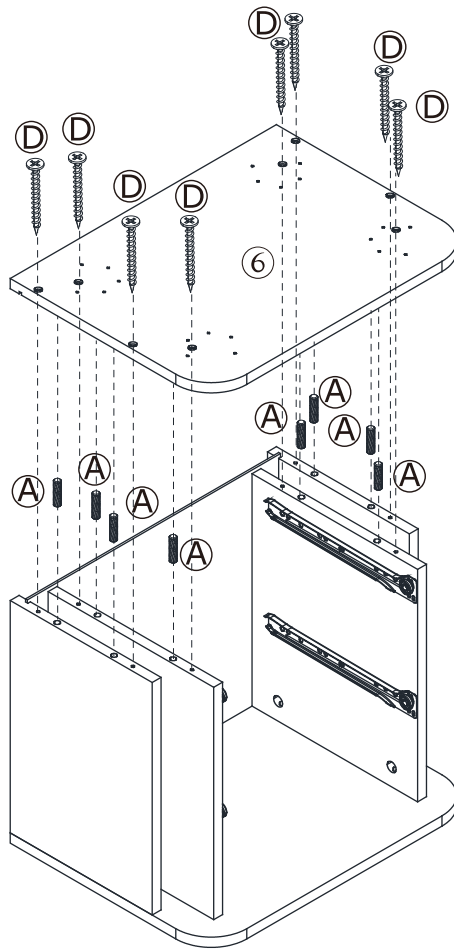
**Step 6**



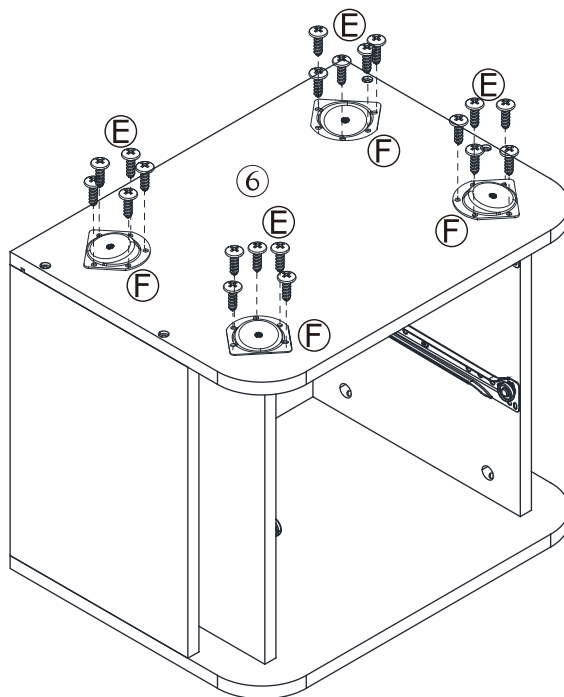
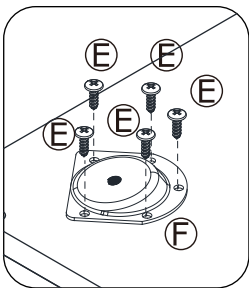
Step 7

Vendor:S000403

A X 8  
D X 8

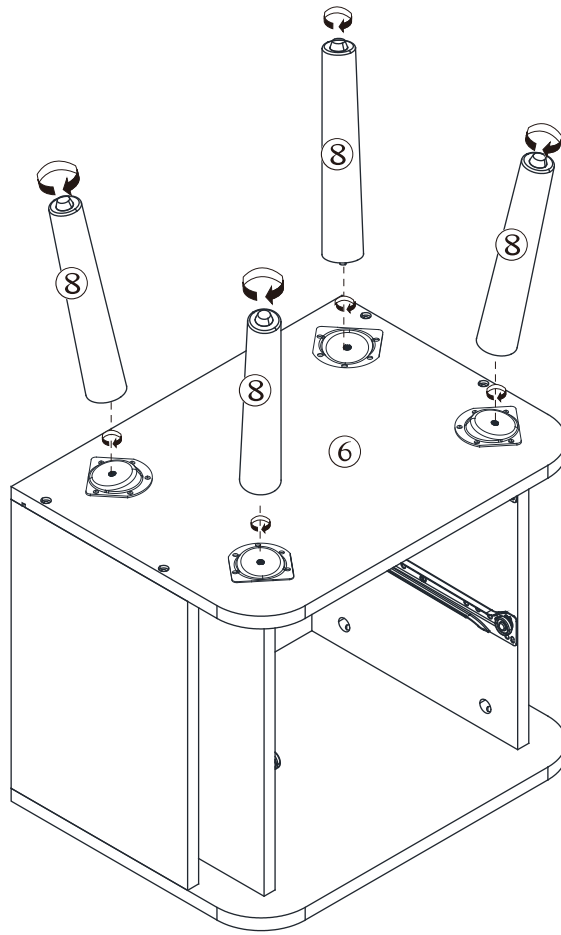


Step 8  
F X 4  
E X 20



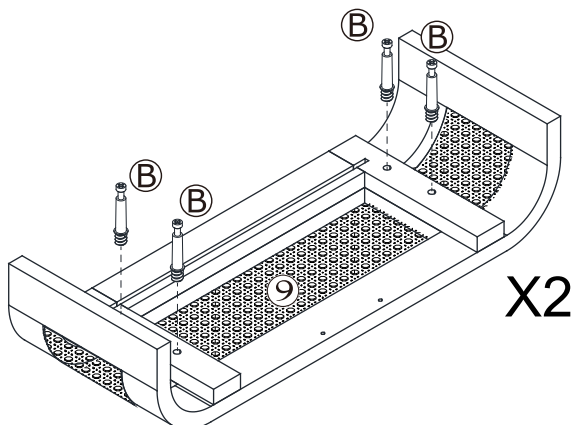
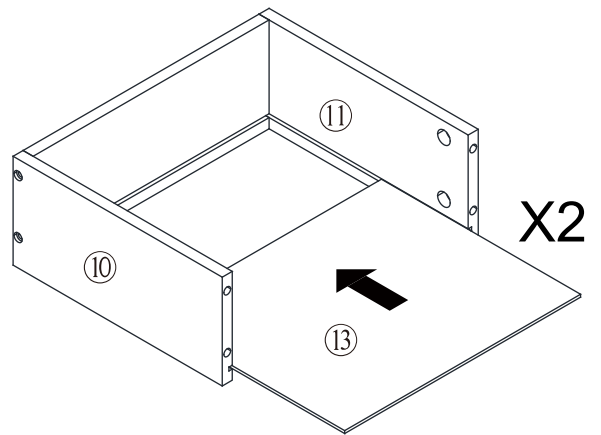
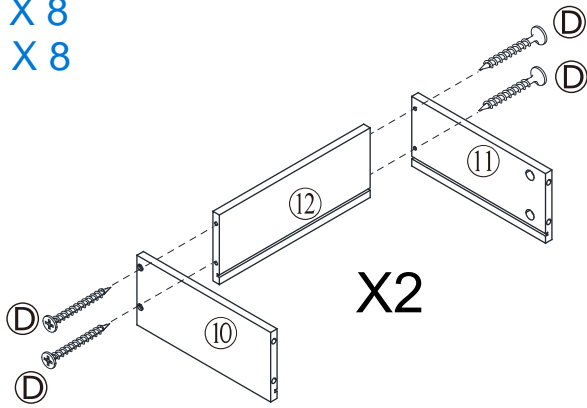
Step 9

Vendor:S000403



Step 10

B X 8  
D X 8

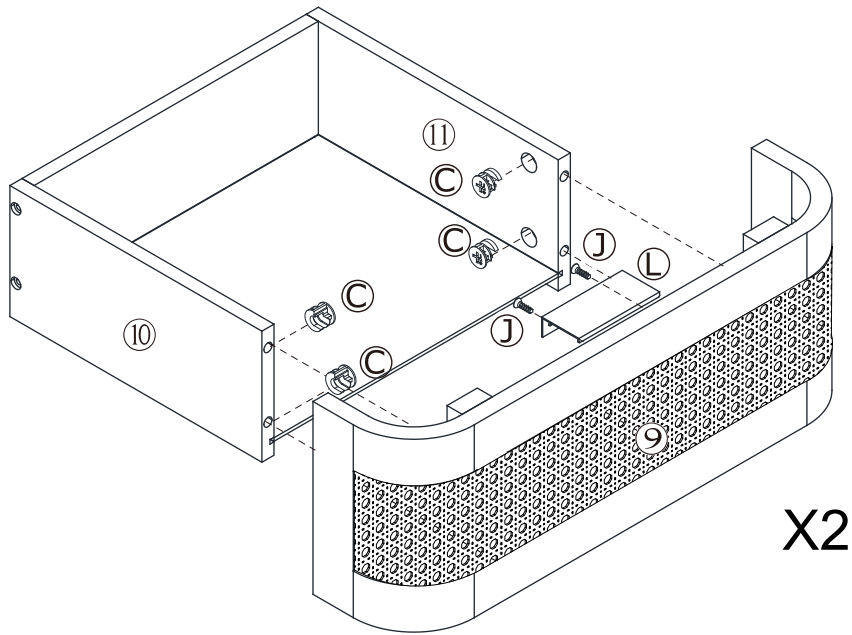




Step 11

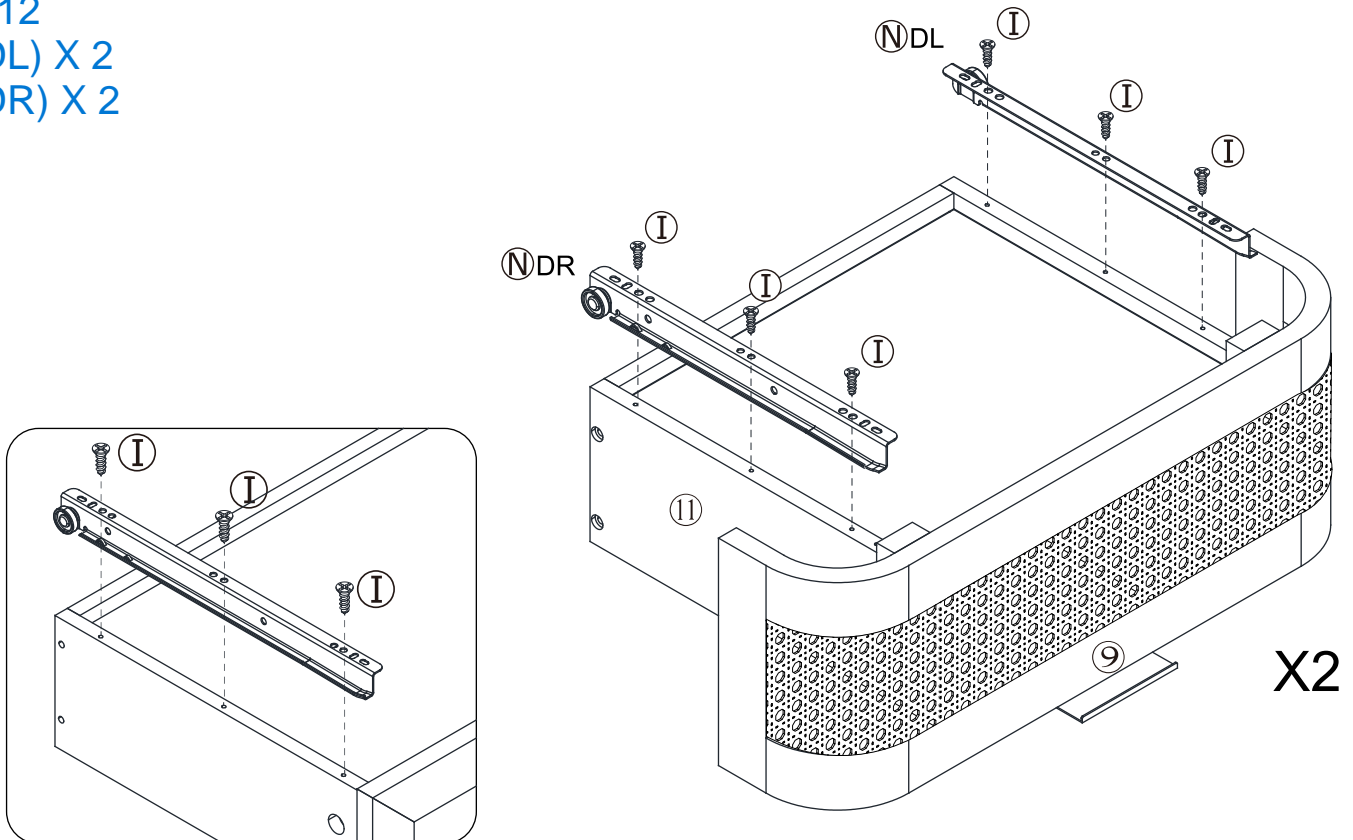
Vendor:S000403

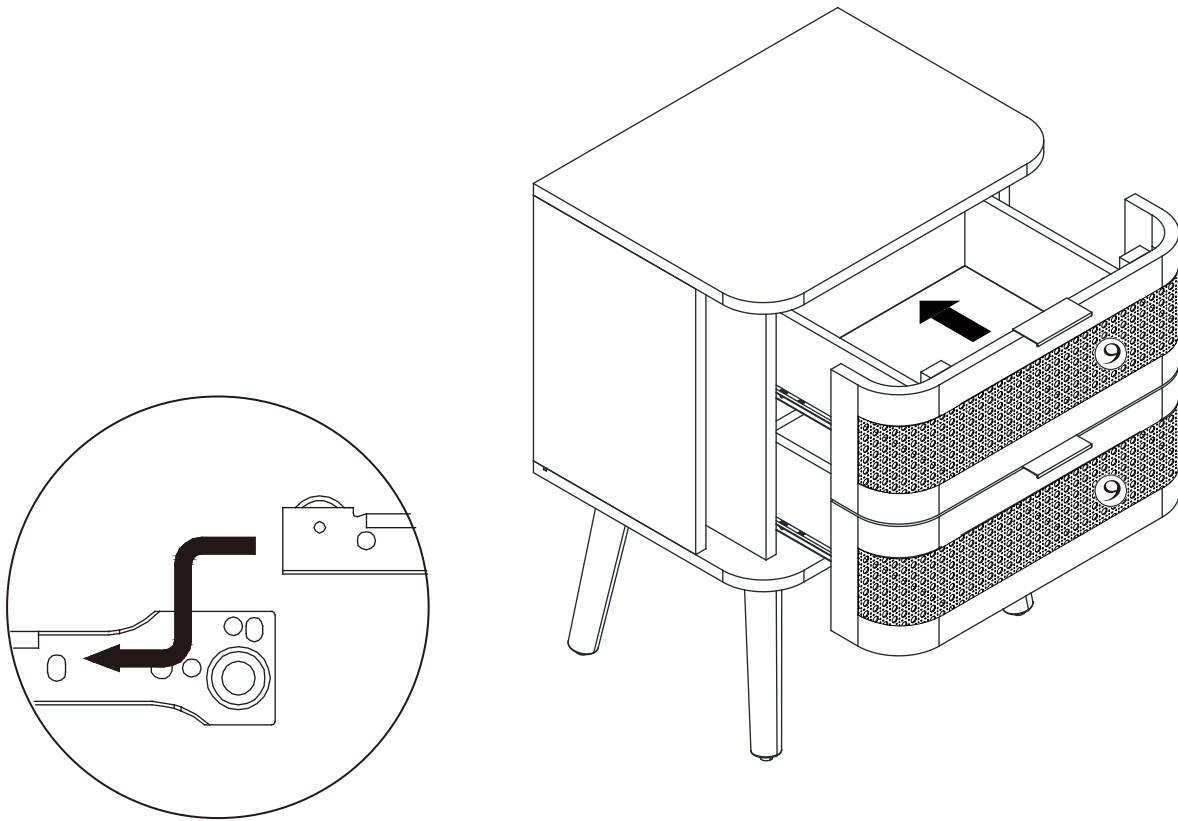
C X 8  
J X 4  
L X 2



Step 12

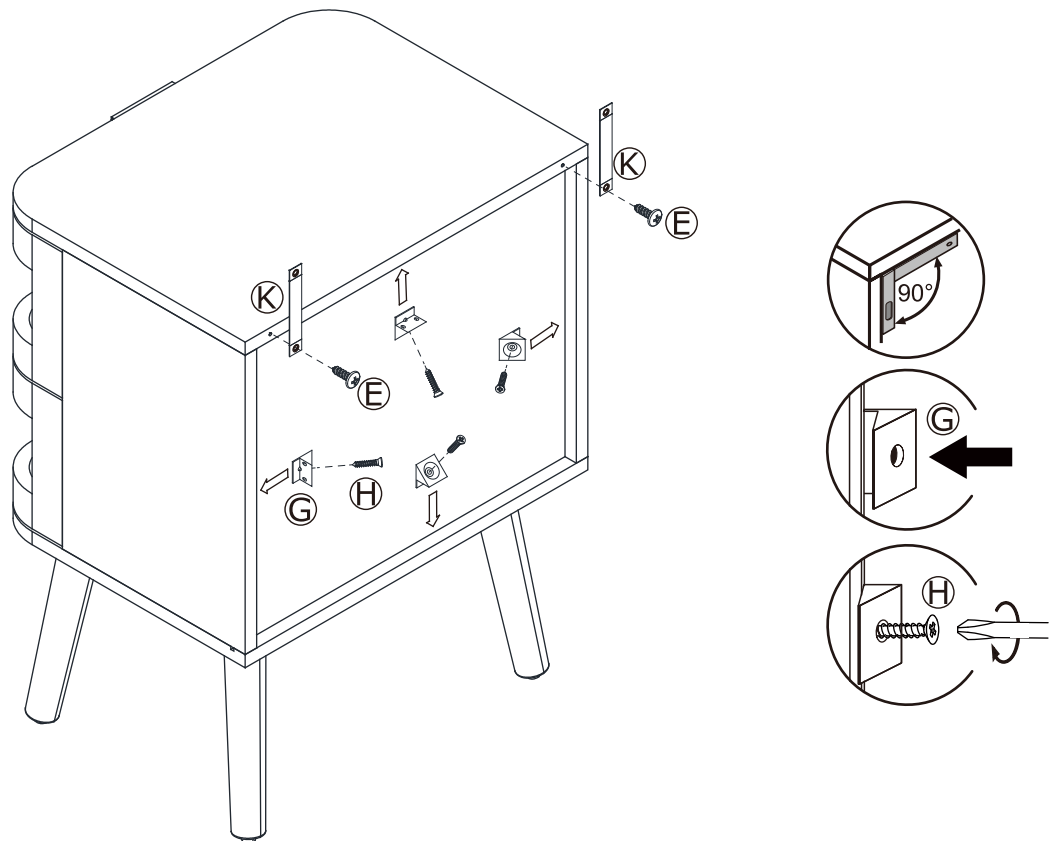
I X 12  
N(DL) X 2  
N(DR) X 2



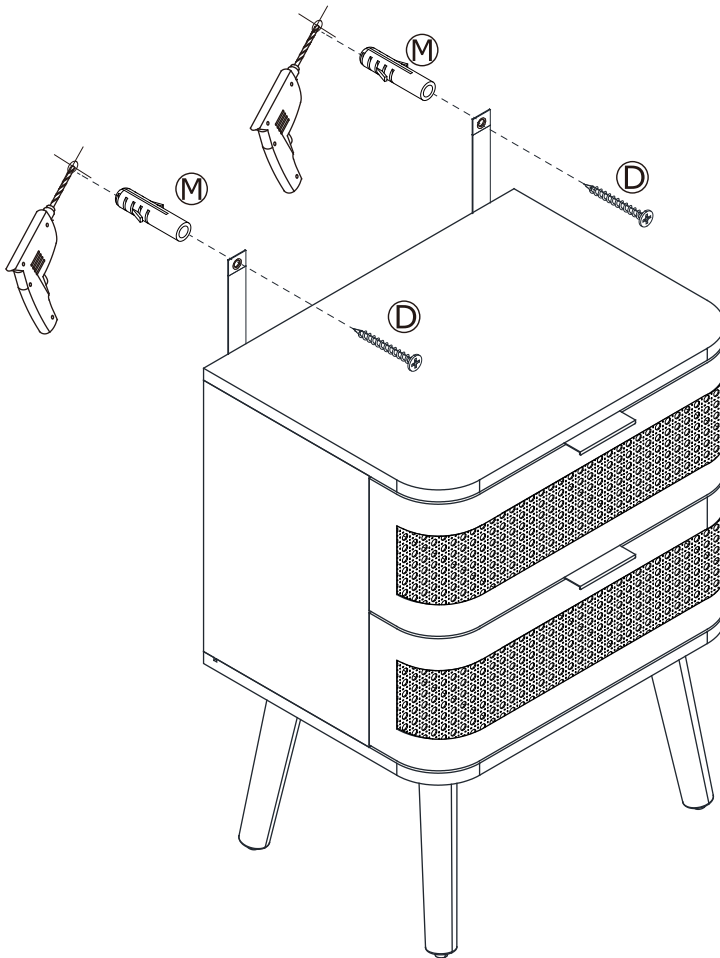


Step 14

- E X 2
- G X 4
- H X 4
- K X 2



D X 2  
M X 2



### Additional Information:

- For complete product information, images and dimension diagrams please visit the website [www.birlea.com](http://www.birlea.com)
- If you have any issues with your item please contact the retailer directly you purchased it from who will be able to resolve any issues with Birlea.
- Why don't you send us photos of your assembled furniture to [info@birlea.com](mailto:info@birlea.com) to be shared in our #birleahome feature on Instagram.