

LPD HOME™

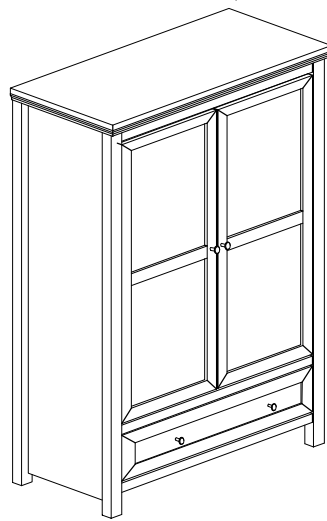
ASSEMBLY INSTRUCTION


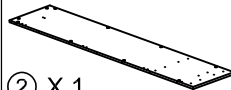
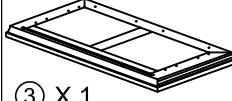


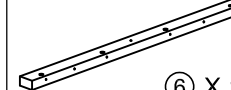



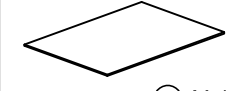
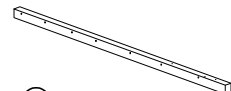
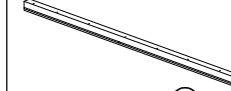
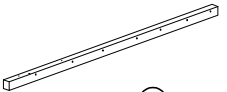

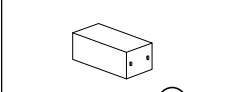
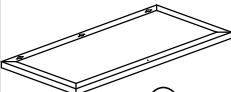
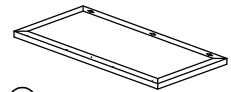

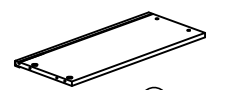
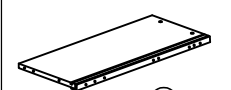





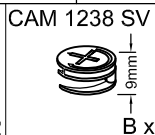
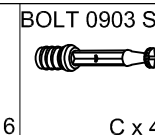
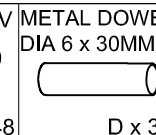
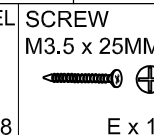
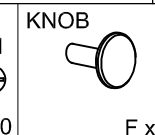
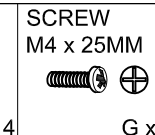
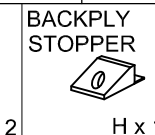
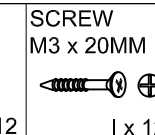
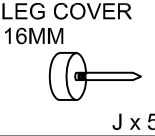
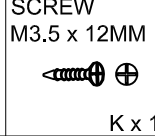
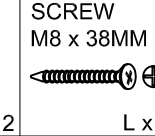
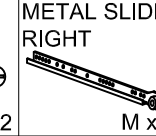
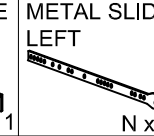
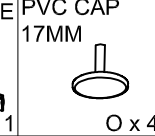
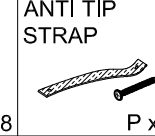
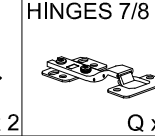
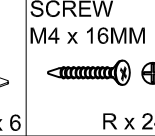
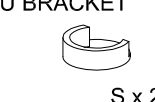

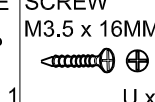




IVES WHITE 2 DOOR WARDROBE

IVES BLACK 2 DOOR WARDROBE


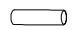


Please read before you continue further.

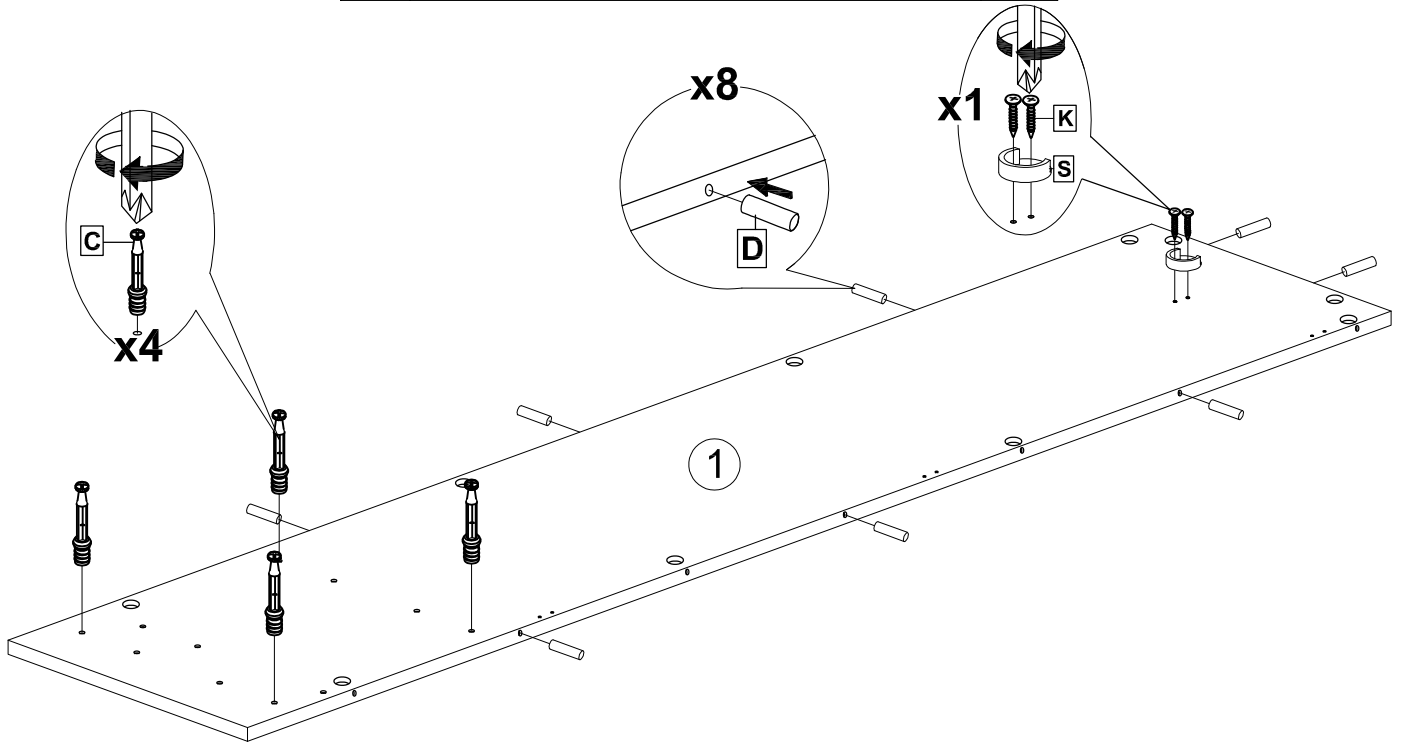
PLEASE KEEP THE ORIGINAL PACKAGING UNTIL THE ITEM IS FULLY ASSEMBLED AND IN PLACE. IN TIME UNLIKELY EVENT THAT YOU NEED TO RETURN YOUR PRODUCT. IT MUST BE RETURNED IN ITS ORIGINAL PACKAGING TO AVOID FURTHER DAMAGE. FAILURE TO FOLLOW THESE PROCEDURES, NO RETURNS WILL BE ACCEPTED.



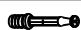
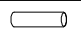


 ① X 1	 ② X 1	 ③ X 1	 ④ X 1	 ⑤ X 1	 ⑥ X 1			
 ⑦ X 2	 ⑧ X 1	 ⑨ X 1	 ⑩ X 1	 ⑪ X 1	 ⑫ X 1			
 ⑬ X 1	 ⑭ X 1	 ⑮ X 1	 ⑯ X 1	 ⑰ X 1	 ⑱ X 1			
 ⑲ X 2	 ⑳ X 2	 ㉑ X 1	 ㉒ X 1	 ㉓ X 2	 ㉔ X 1			
 CAM 1633 SV A x 42	 CAM 1238 SV B x 6	 BOLT 0903 SV C x 48	 METAL DOWEL DIA 6 x 30MM D x 38	 SCREW M3.5 x 25MM E x 10	 KNOB F x 4	 SCREW M4 x 25MM G x 2	 BACKPLY STOPPER H x 12	 SCREW M3 x 20MM I x 12
 LEG COVER 16MM J x 5	 SCREW M3.5 x 12MM K x 12	 SCREW M8 x 38MM L x 2	 METAL SLIDE RIGHT M x 1	 METAL SLIDE LEFT N x 1	 PVC CAP 17MM O x 48	 ANTI TIP STRAP P x 2	 HINGES 7/8 Q x 6	 SCREW M4 x 16MM R x 24
 U BRACKET S x 2	 CHROME PIPE 1038MM T x 1	 SCREW M3.5 x 16MM U x 2	 SCREW M4 x 10MM V x 2	 SCREW M4 x 20MM W x 4	 PLASTIC STOPPER TOP X x 1	 PLASTIC STOPPER BOTTOM Y x 1		

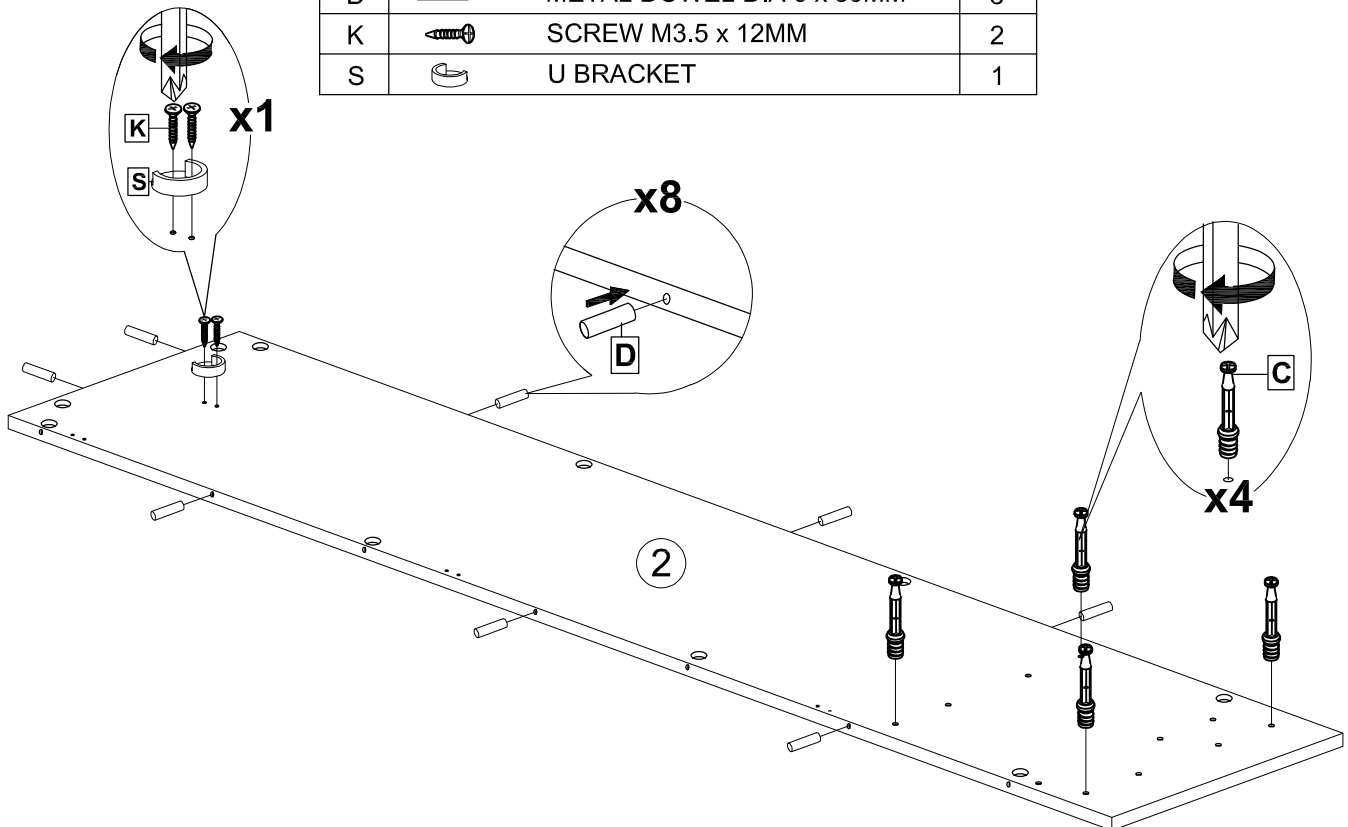
STEP 1

C		BOLT 0903 SV	4
D		METAL DOWEL DIA 6 x 30MM	8
K		SCREW M3.5 x 12MM	2
S		U BRACKET	1




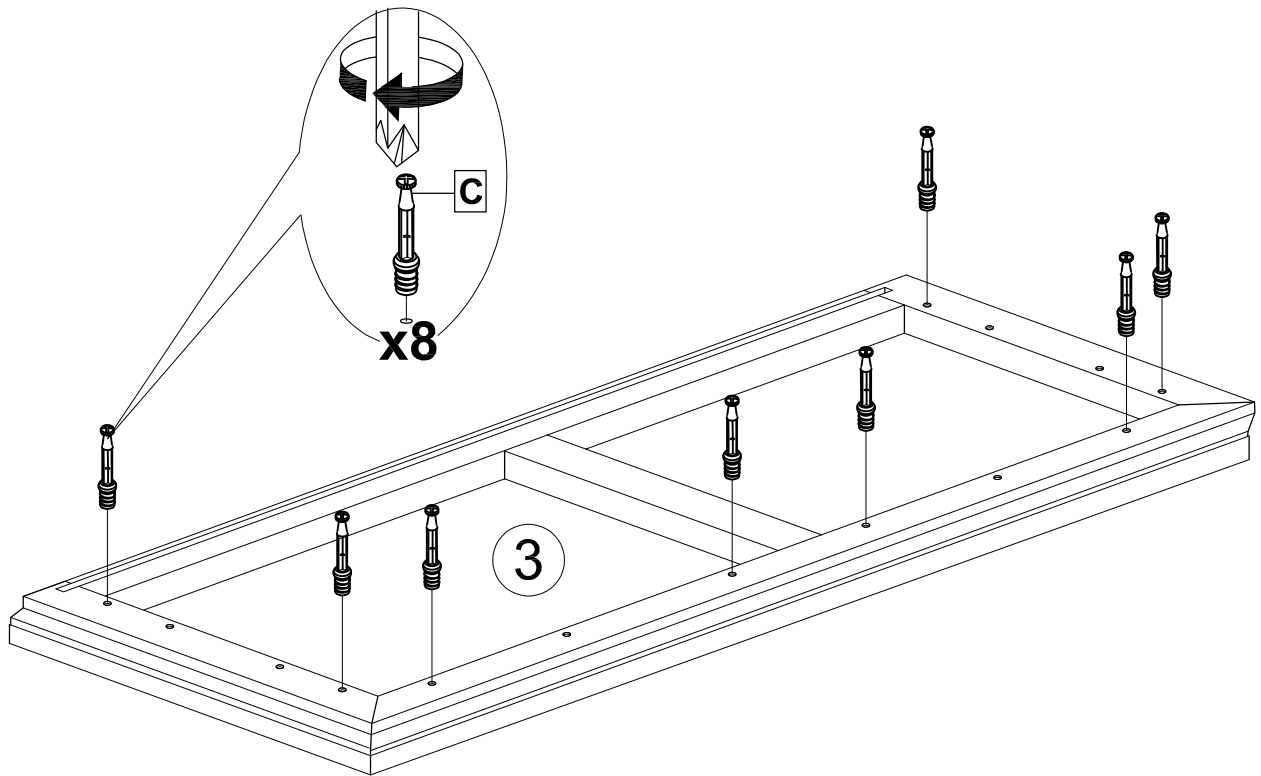
STEP 2

C		BOLT 0903 SV	4
D		METAL DOWEL DIA 6 x 30MM	8
K		SCREW M3.5 x 12MM	2
S		U BRACKET	1



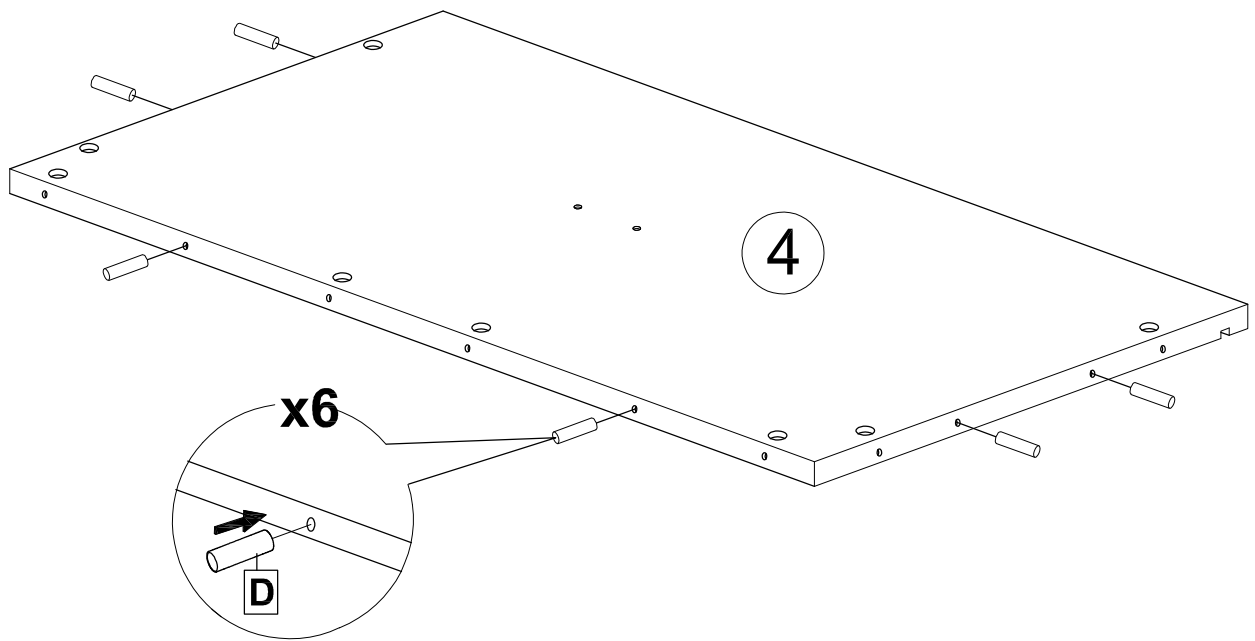
STEP 3

C		BOLT 0903 SV	8
---	---	--------------	---

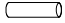




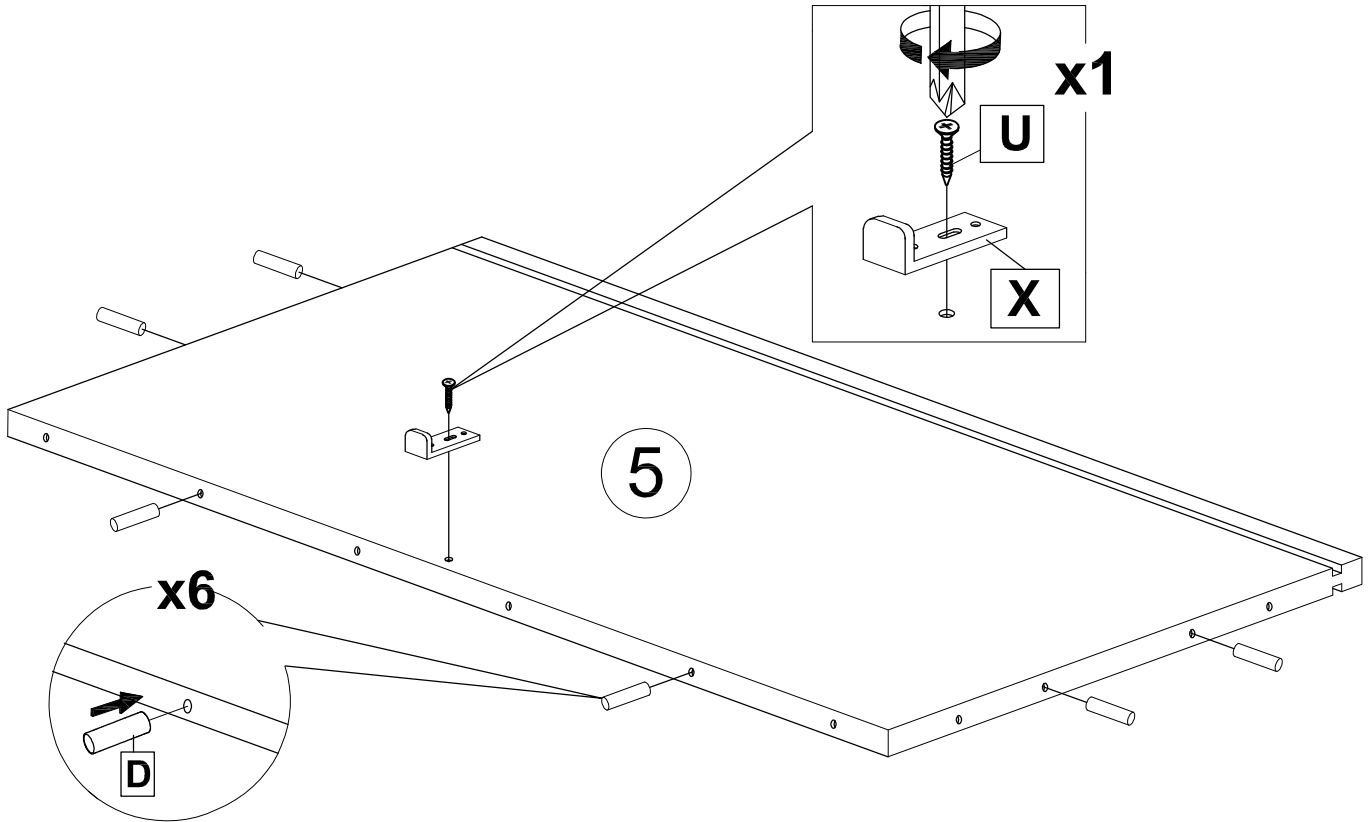
STEP 4

D		METAL DOWEL DIA 6 x 30MM	6
---	---	--------------------------	---

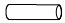




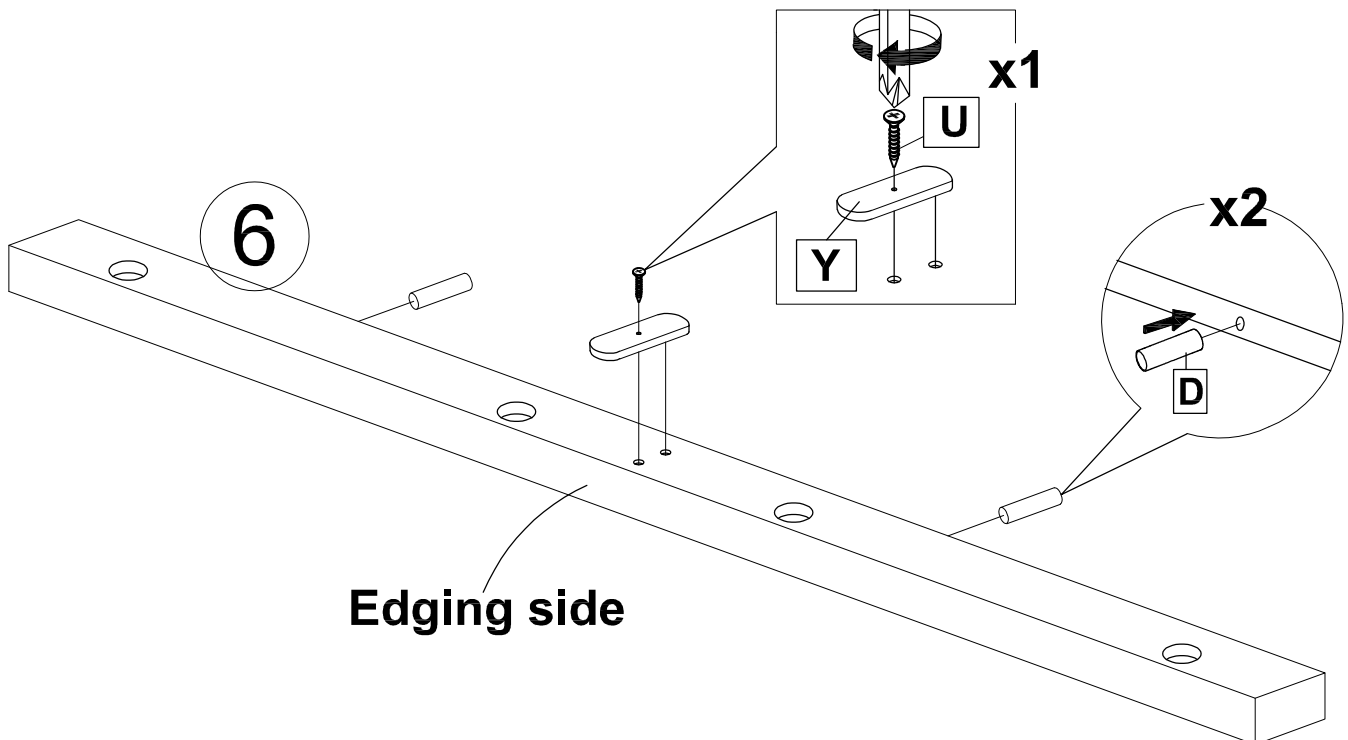
STEP 5

D		METAL DOWEL DIA 6 x 30MM	6
U		SCREW M3.5 x 16MM	1
X		PLASTIC STOPPER TOP	1


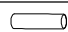


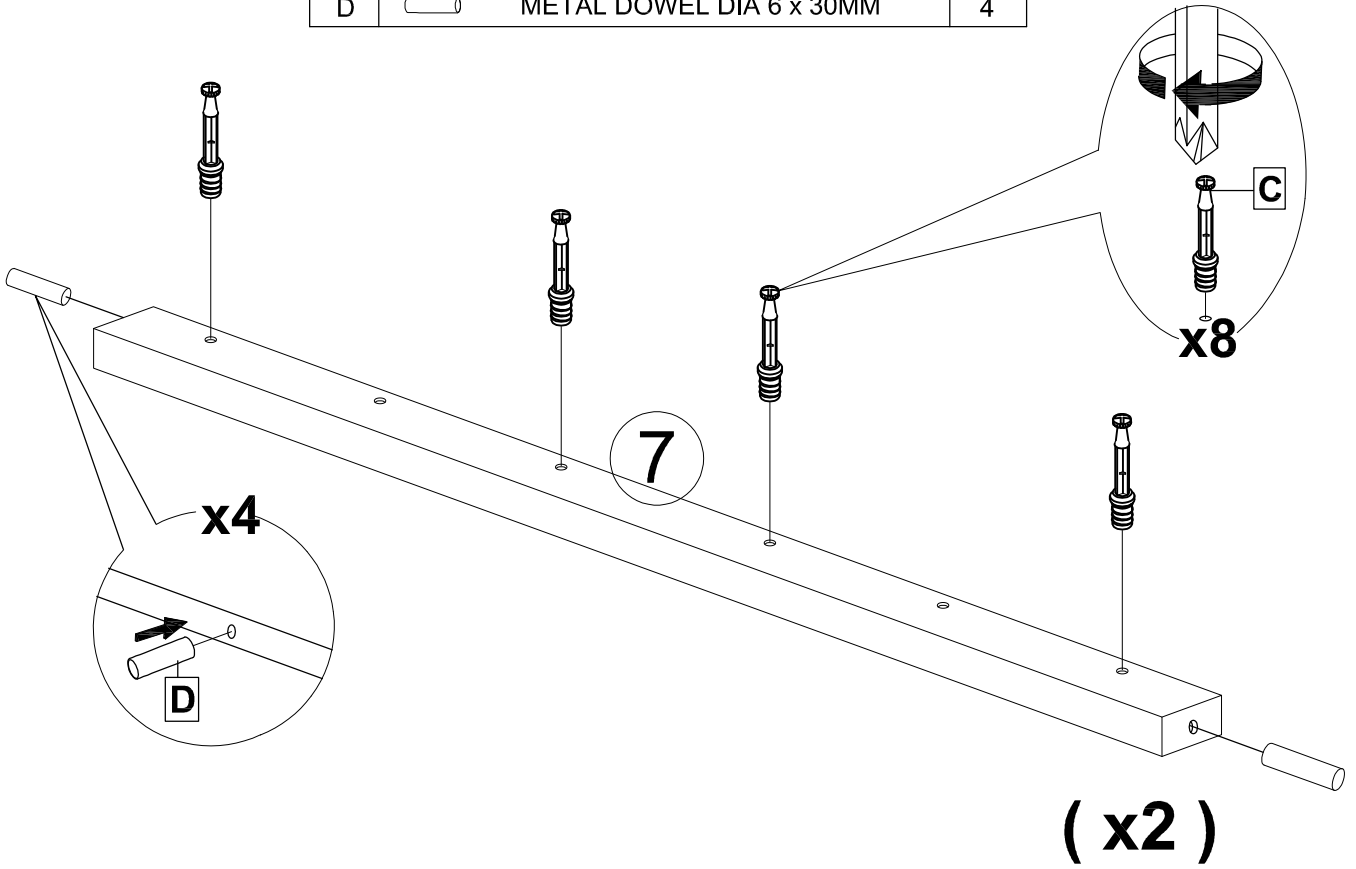
STEP 6

D		METAL DOWEL DIA 6 x 30MM	2
U		SCREW M3.5 x 16MM	1
Y		PLASTIC STOPPER BOTTOM	1



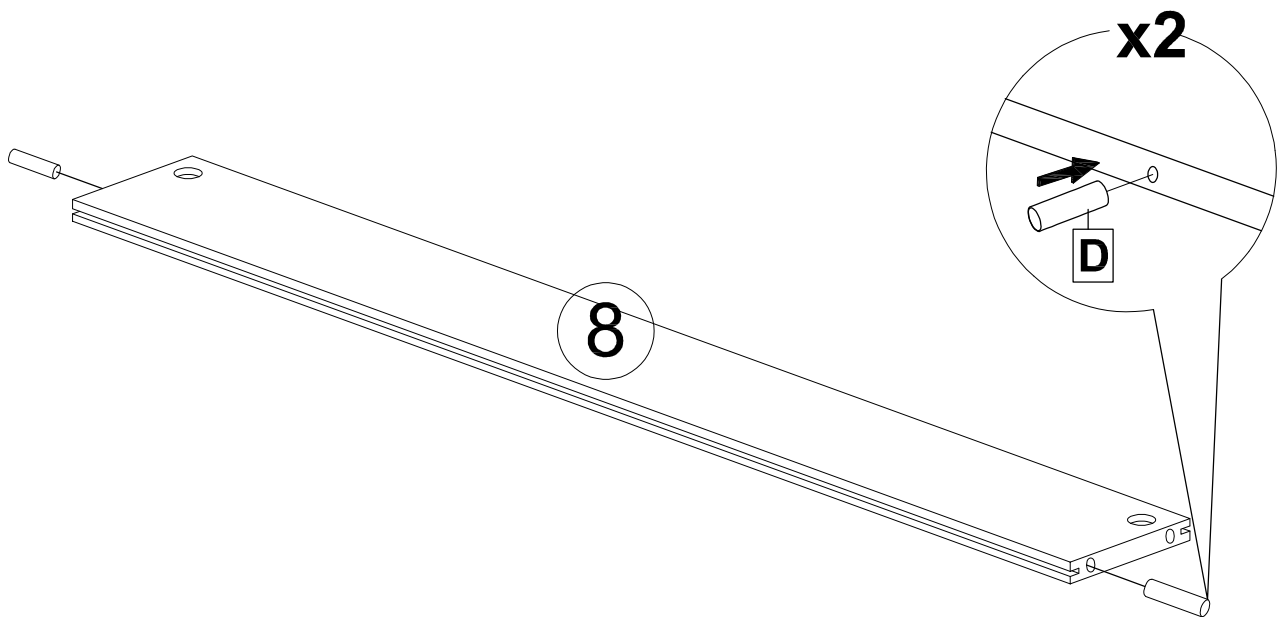
STEP 7

C		BOLT 0903 SV	8
D		METAL DOWEL DIA 6 x 30MM	4




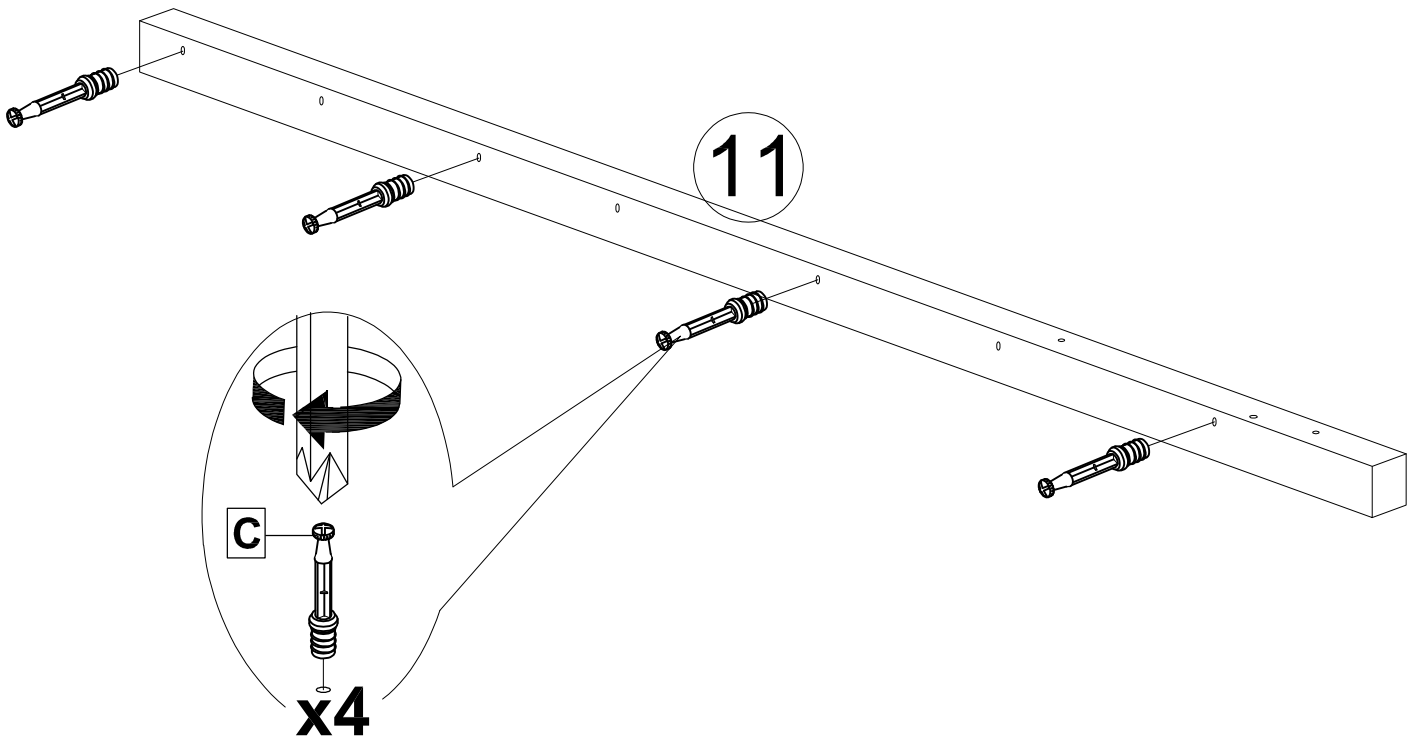
STEP 8

D		METAL DOWEL DIA 6 x 30MM	2
---	---	--------------------------	---




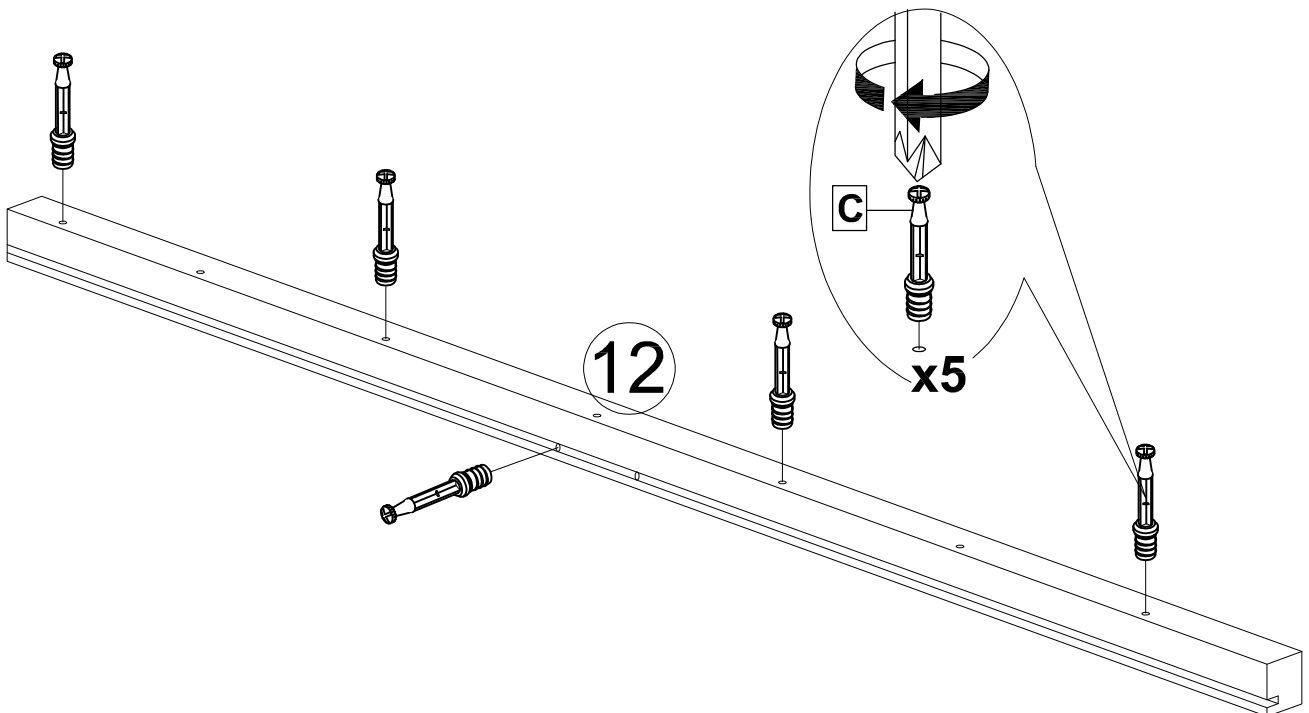
STEP 9

C		BOLT 0903 SV	4
---	---	--------------	---




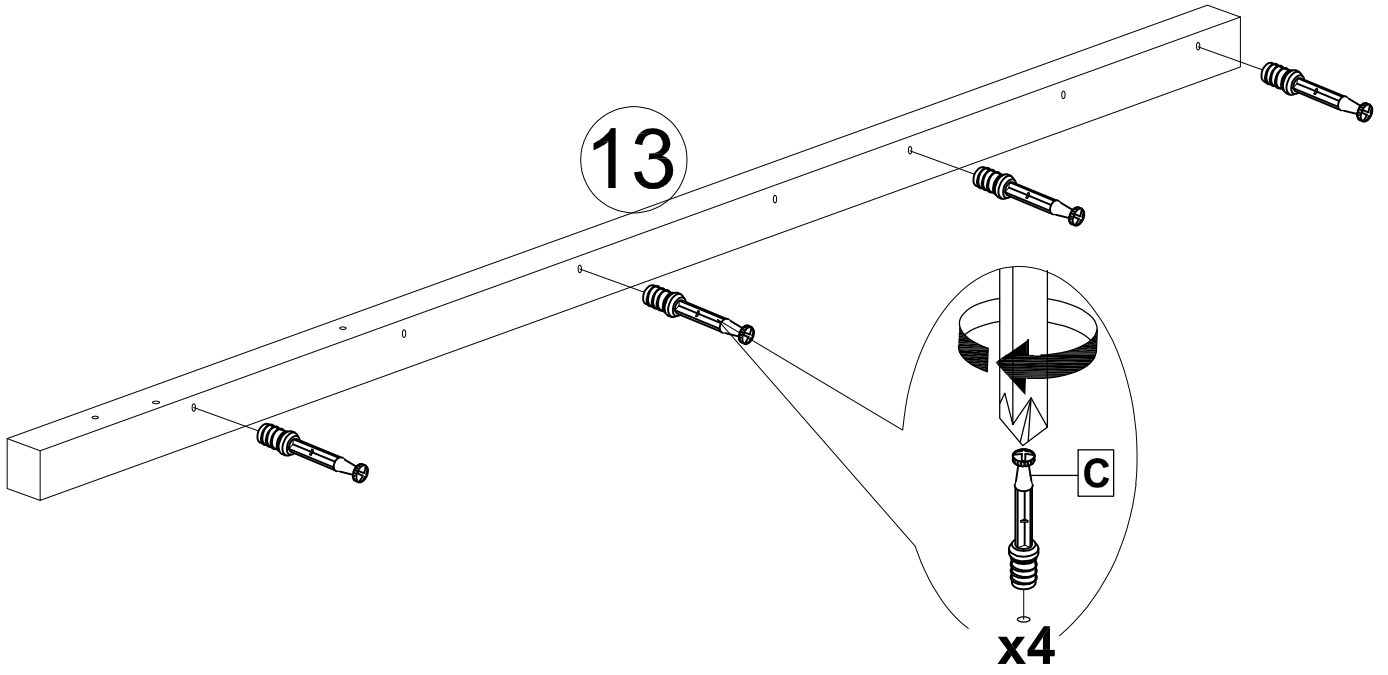
STEP 10

C		BOLT 0903 SV	5
---	---	--------------	---

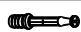


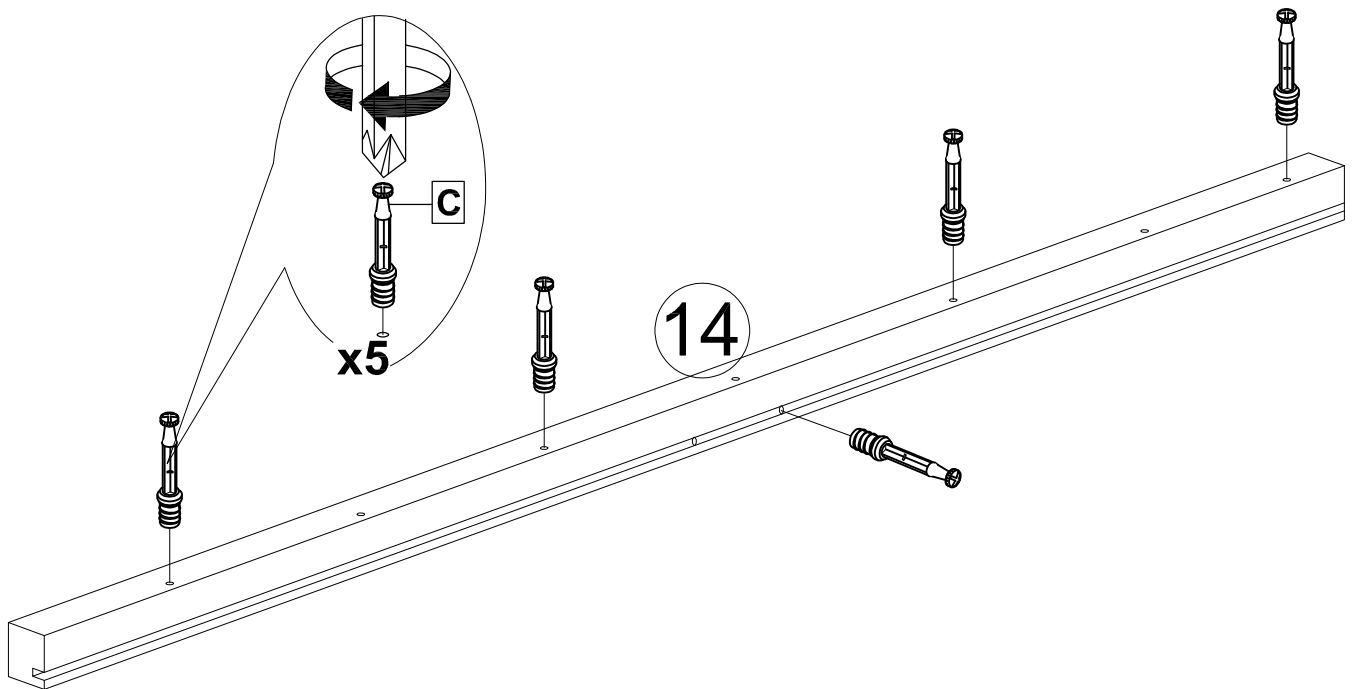
STEP 11

C		BOLT 0903 SV	4
---	---	--------------	---


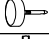



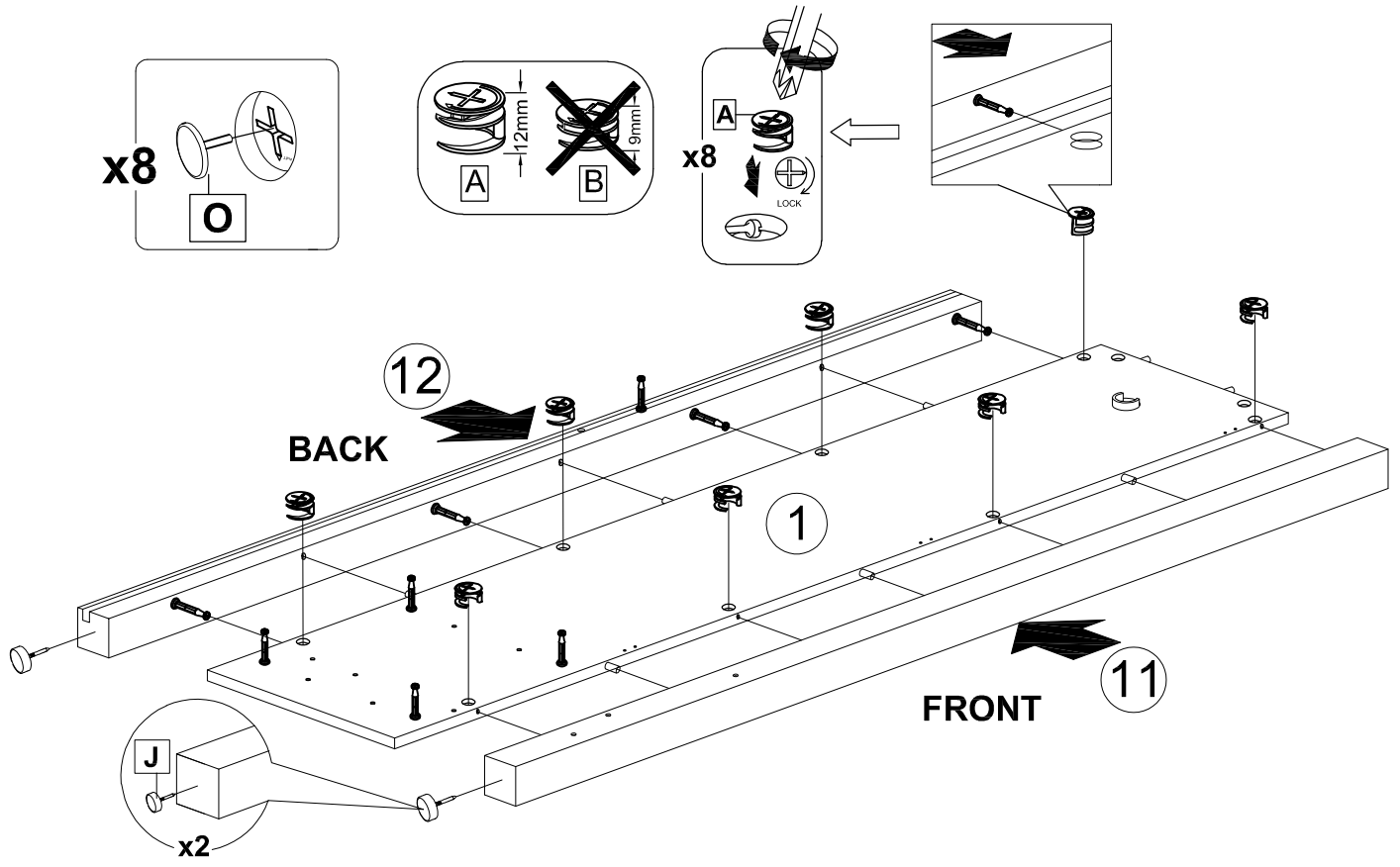
STEP 12

C		BOLT 0903 SV	5
---	---	--------------	---


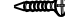


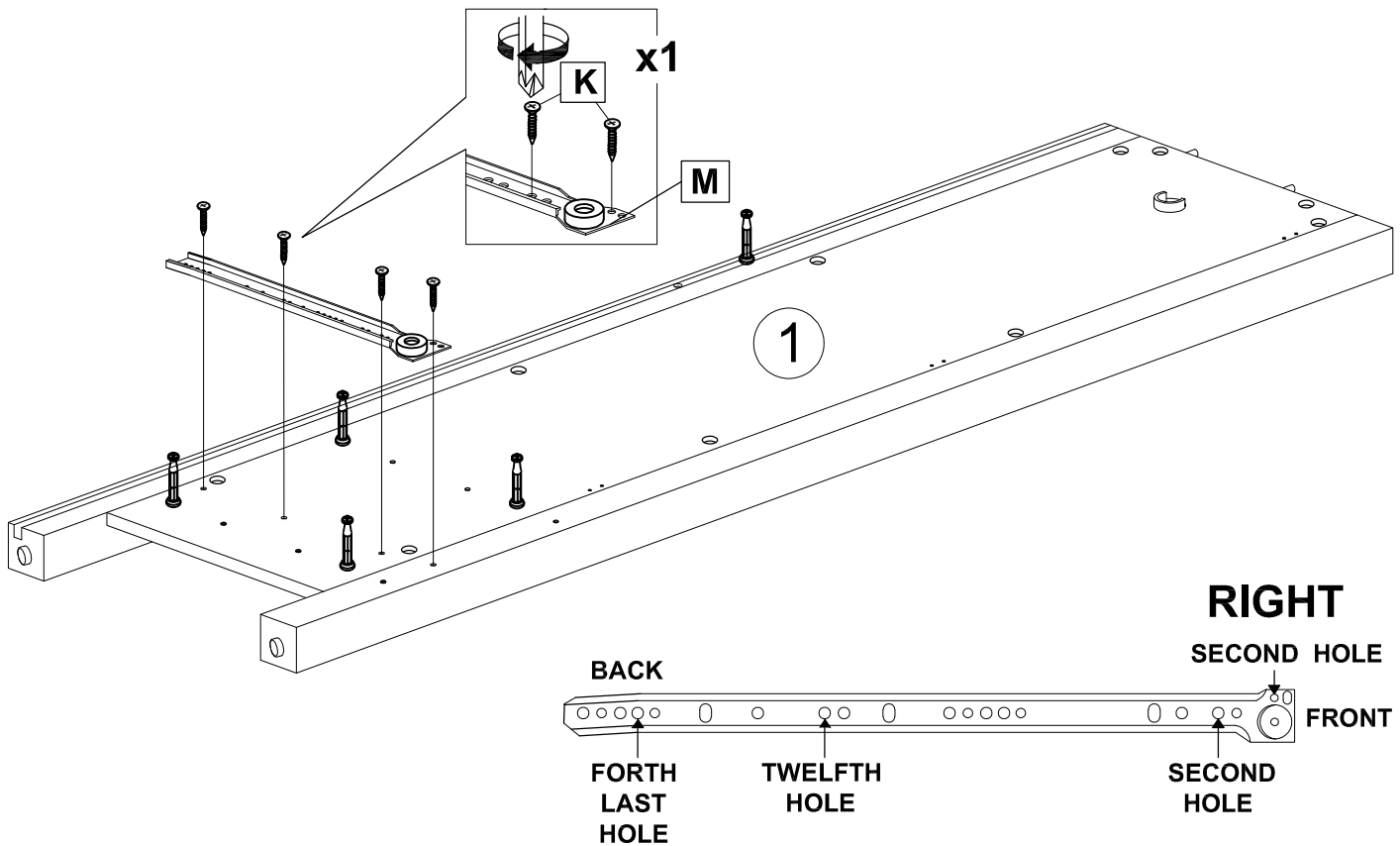
STEP 13

A		CAM 1633 SV	8
J		LEG COVER	2
O		PVC CAP 17MM	8


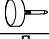



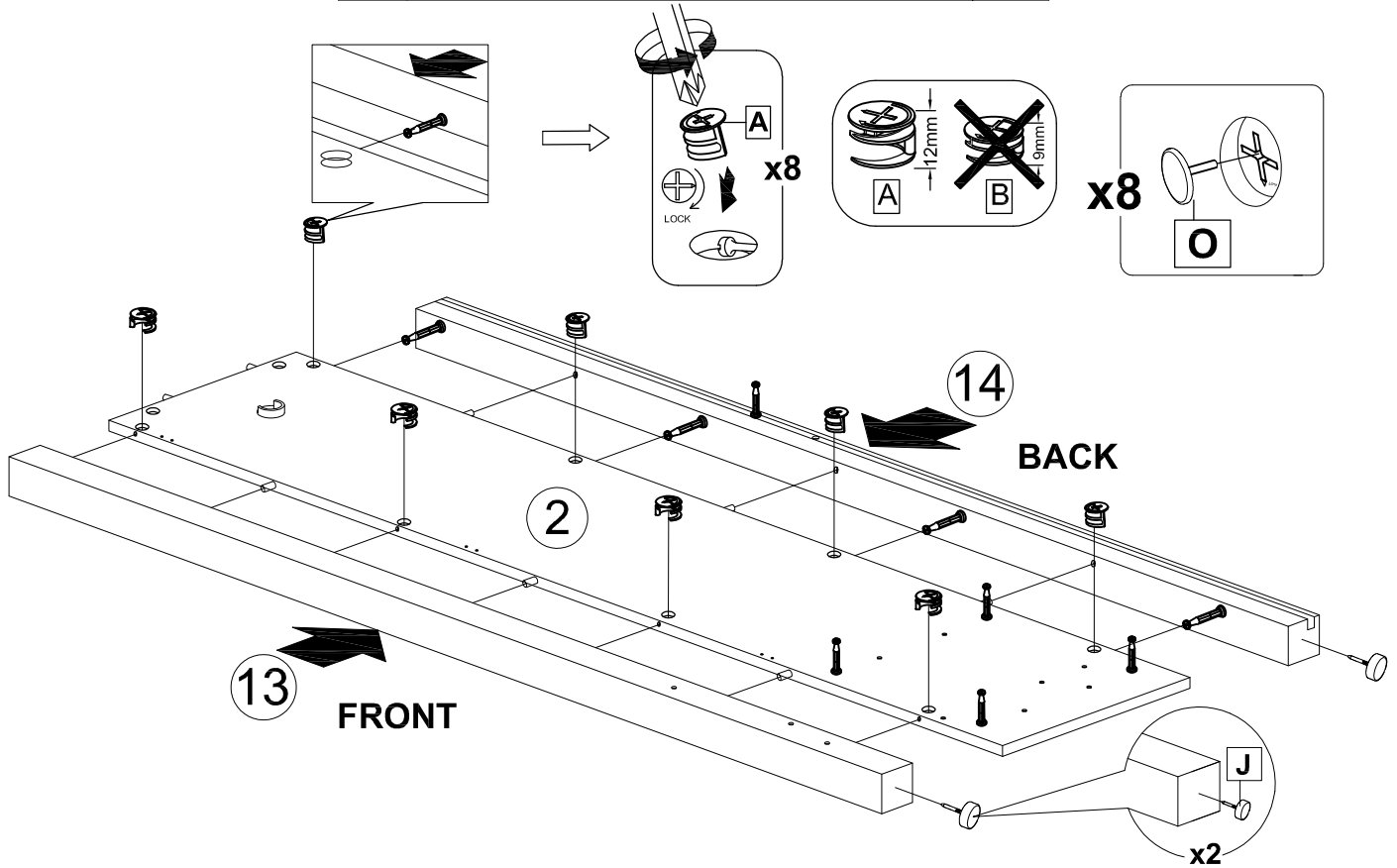
STEP 14

M		METAL SLIDE RIGHT	1
K		SCREW M3.5 x 12MM	4





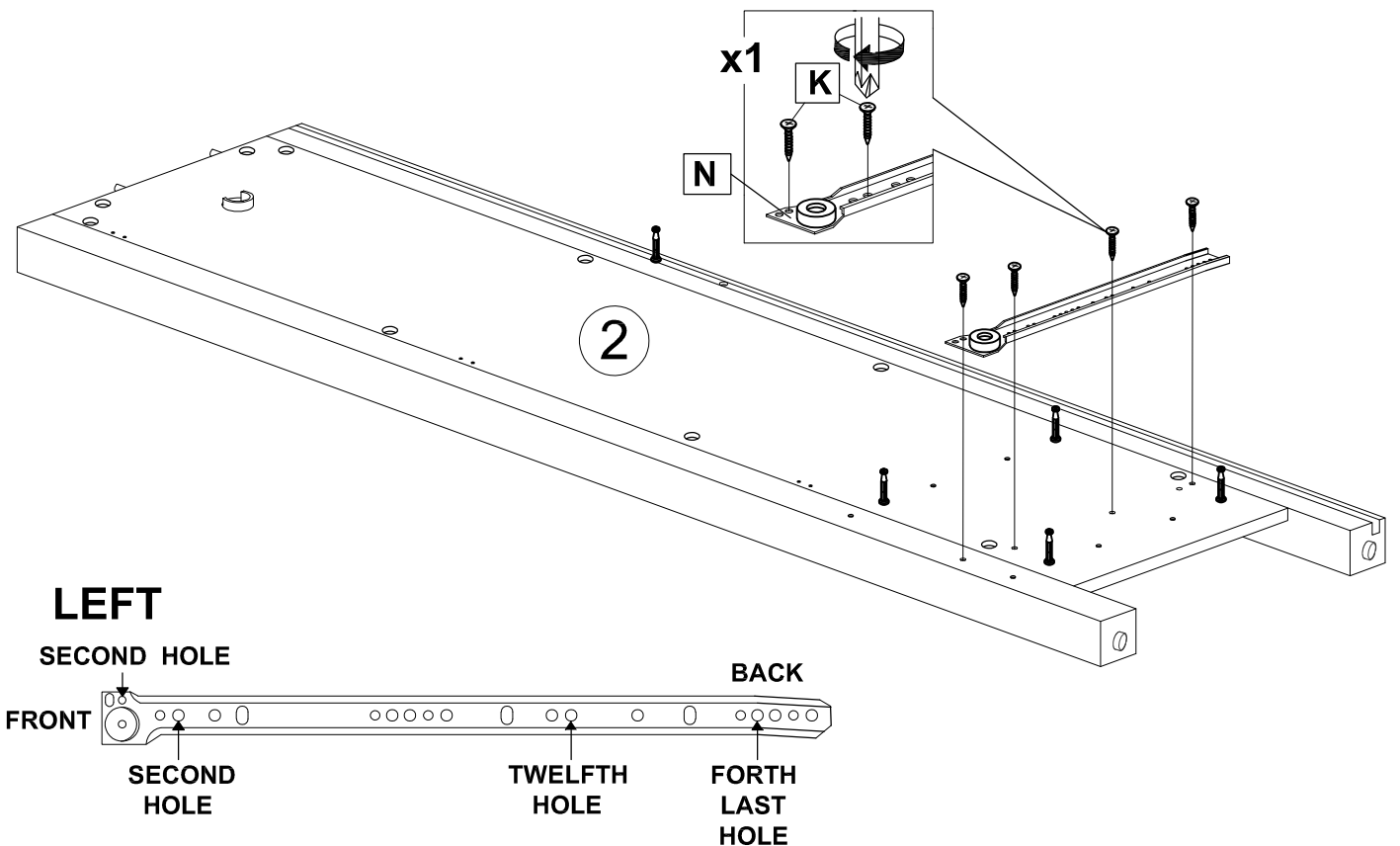
STEP 15

A		CAM 1633 SV	8
J		LEG COVER	2
O		PVC CAP 17MM	8





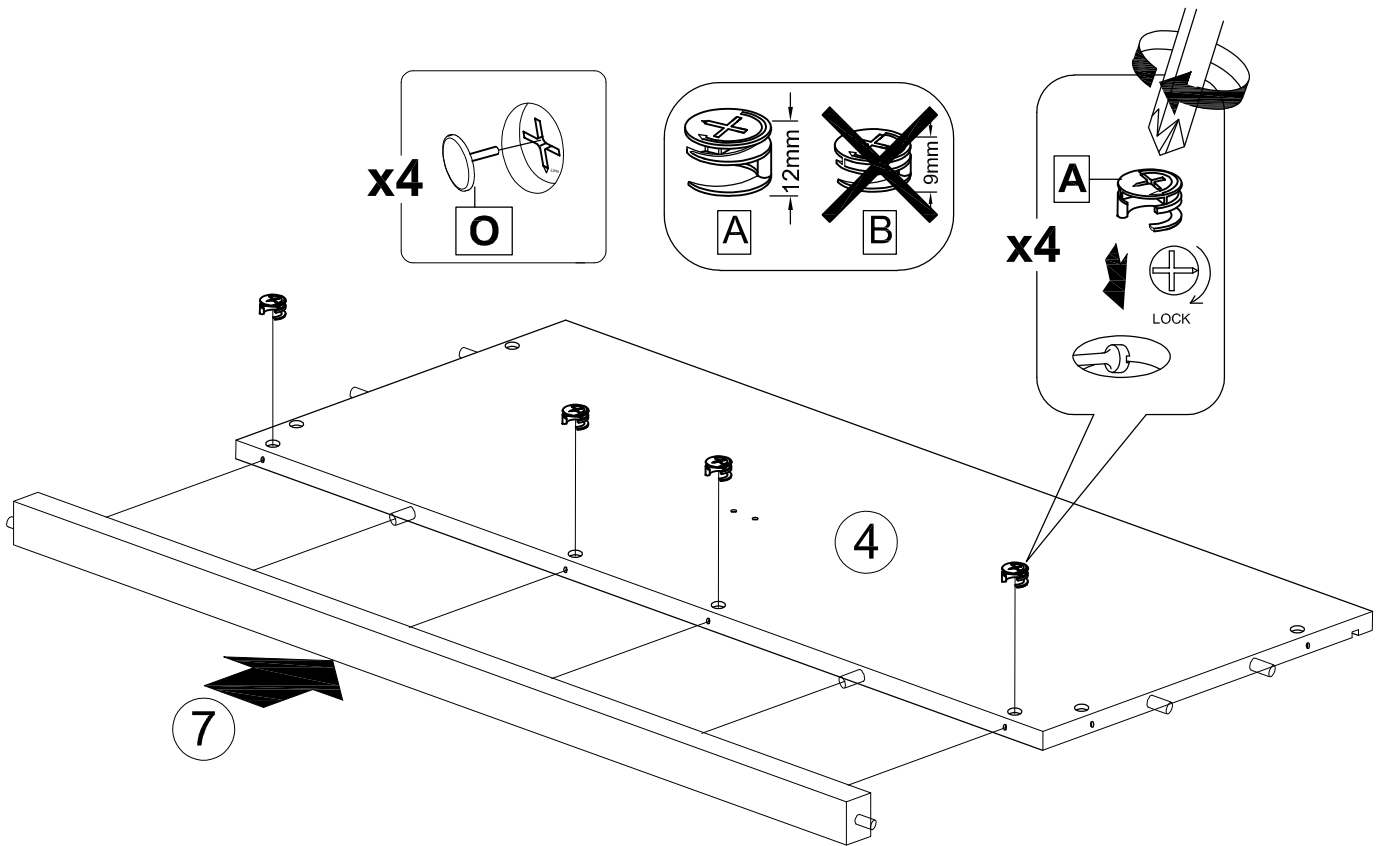
STEP 16

N		METAL SLIDE LEFT	1
K		SCREW M3.5 x 12MM	4


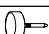


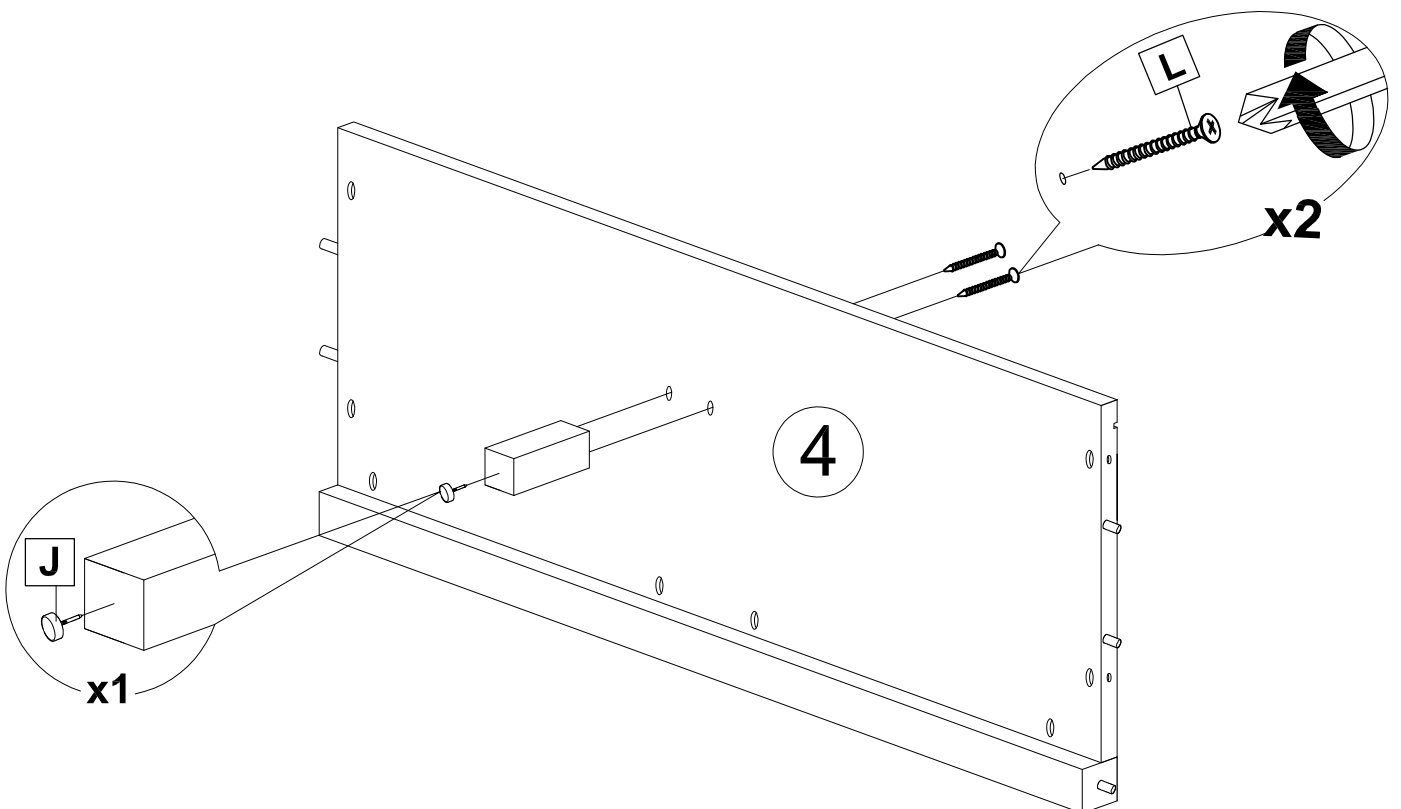
STEP 17

A		CAM 1633 SV	4
O		PVC CAP 17MM	4





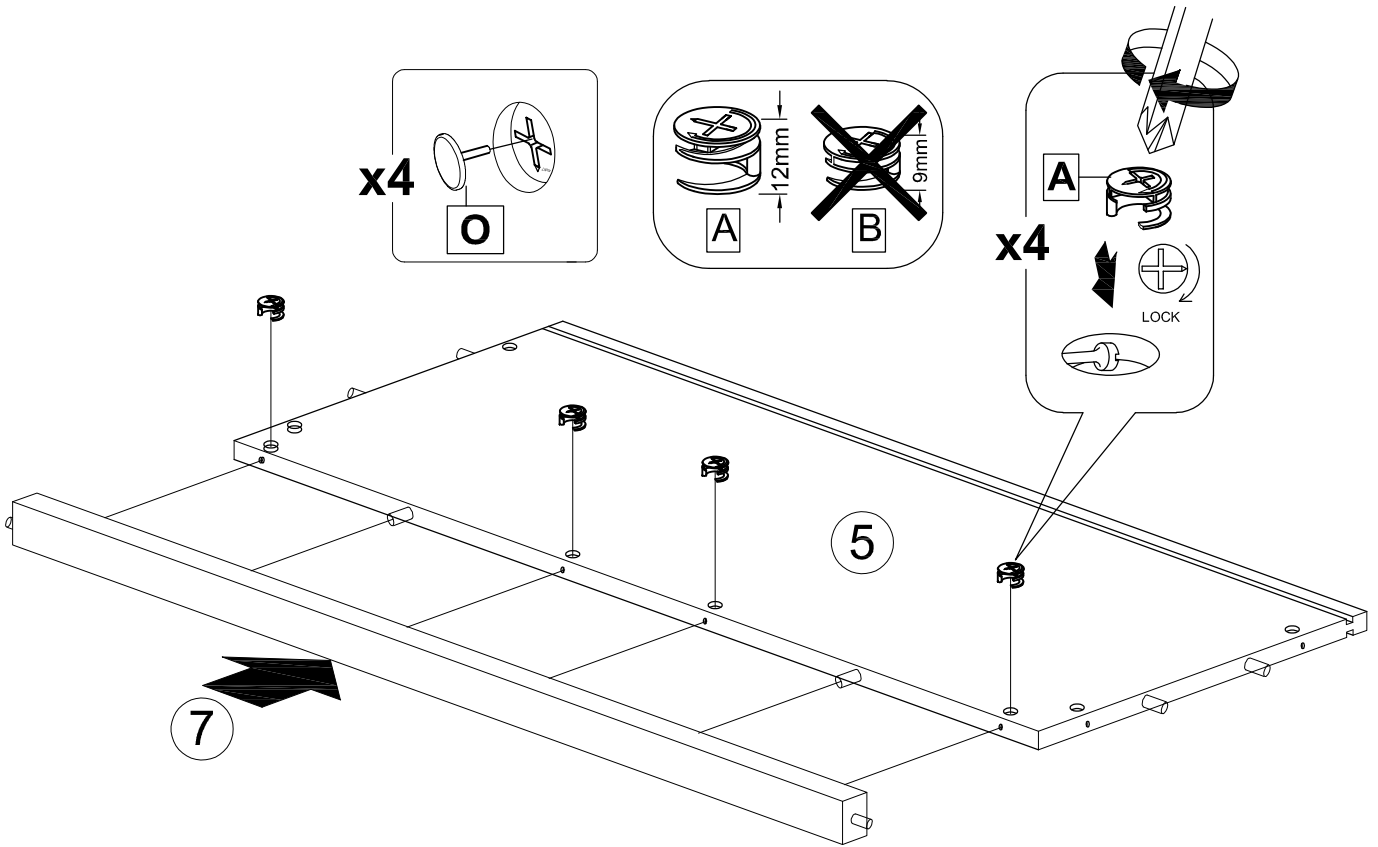
STEP 18

L		SCREW M8 x 38MM	2
J		LEG COVER	1





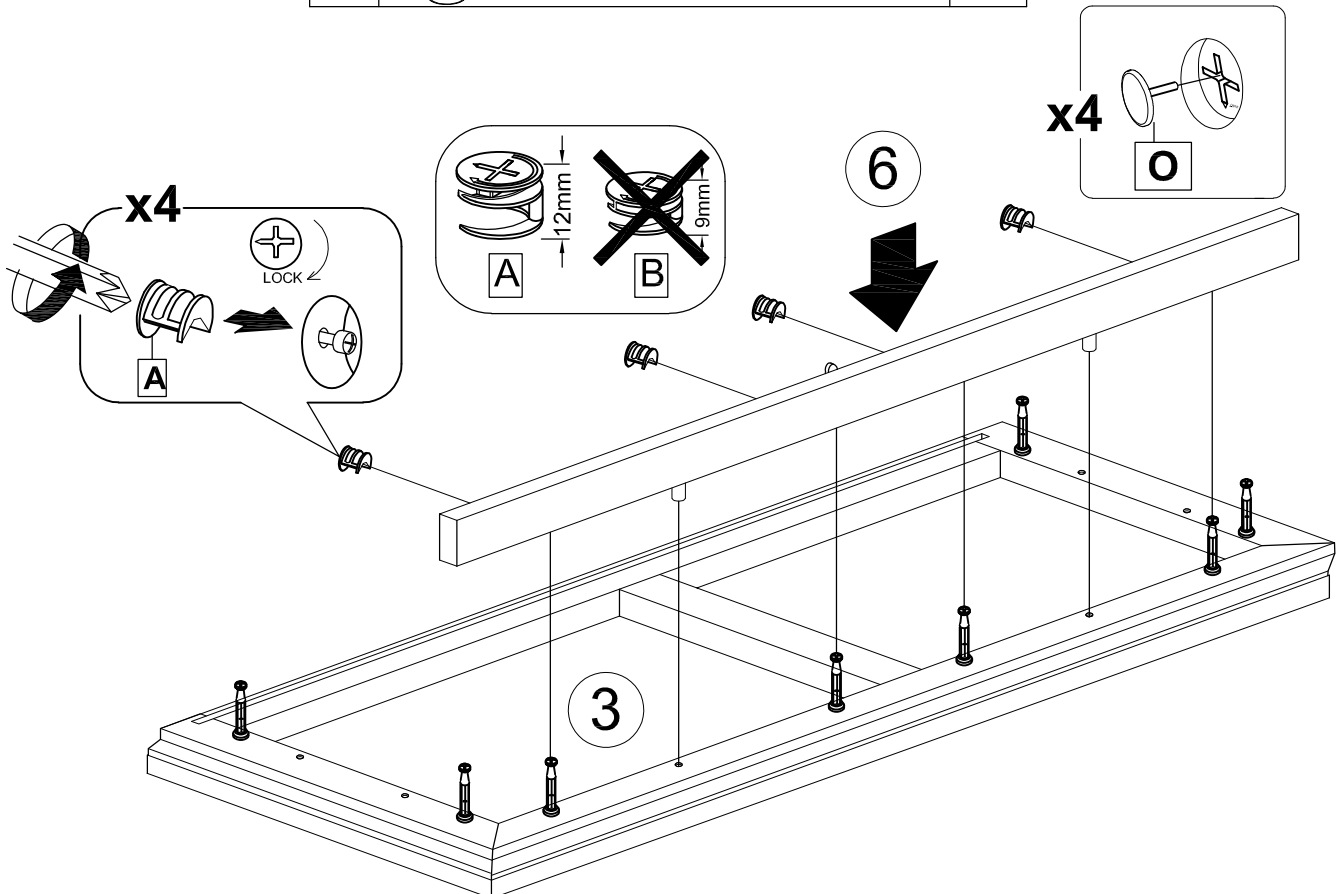
STEP 19

A		CAM 1633 SV	4
O		PVC CAP 17MM	4





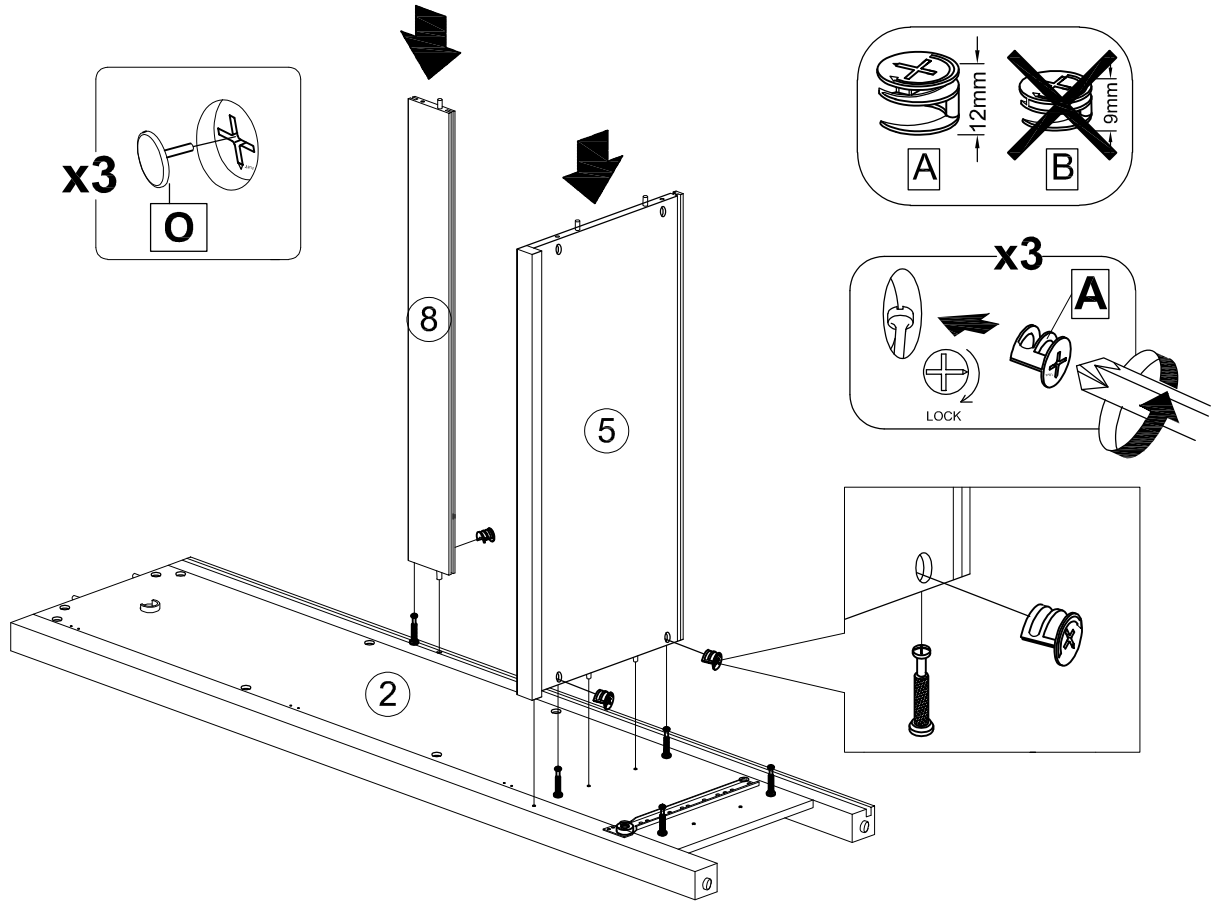
STEP 20

A		CAM 1633 SV	4
O		PVC CAP 17MM	4





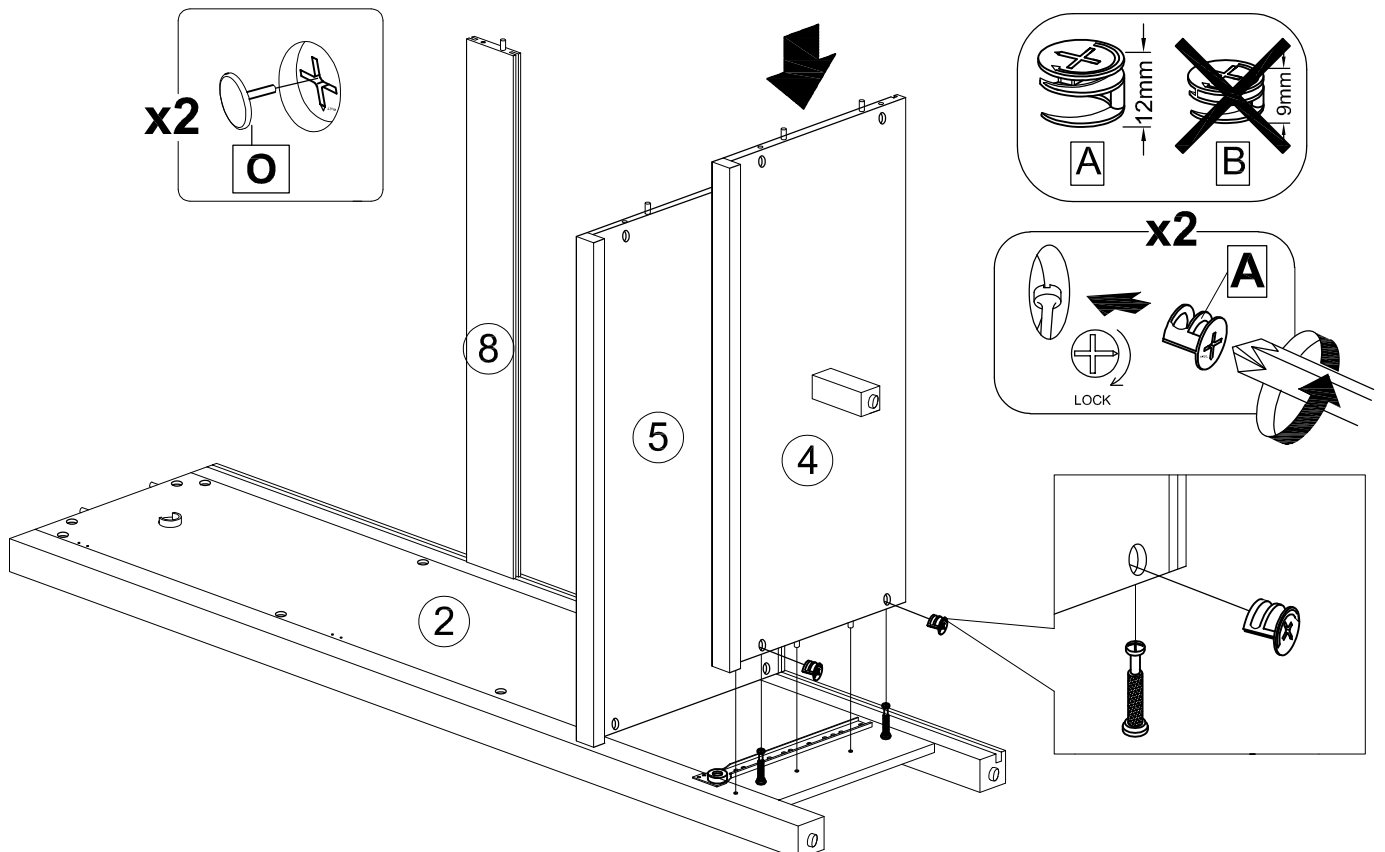
STEP 21

A		CAM 1633 SV	3
O		PVC CAP 17MM	3

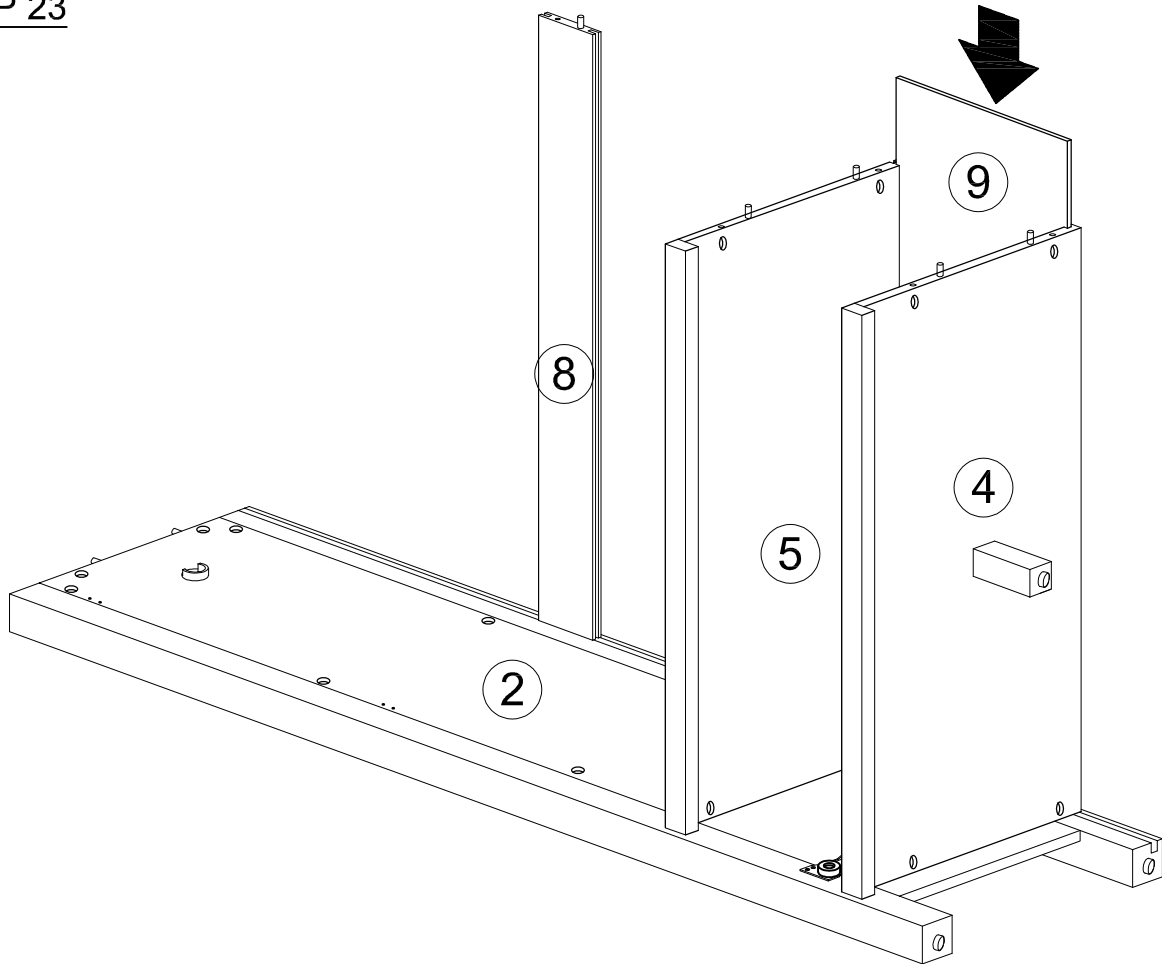


STEP 22

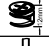

A		CAM 1633 SV	2
O		PVC CAP 17MM	2

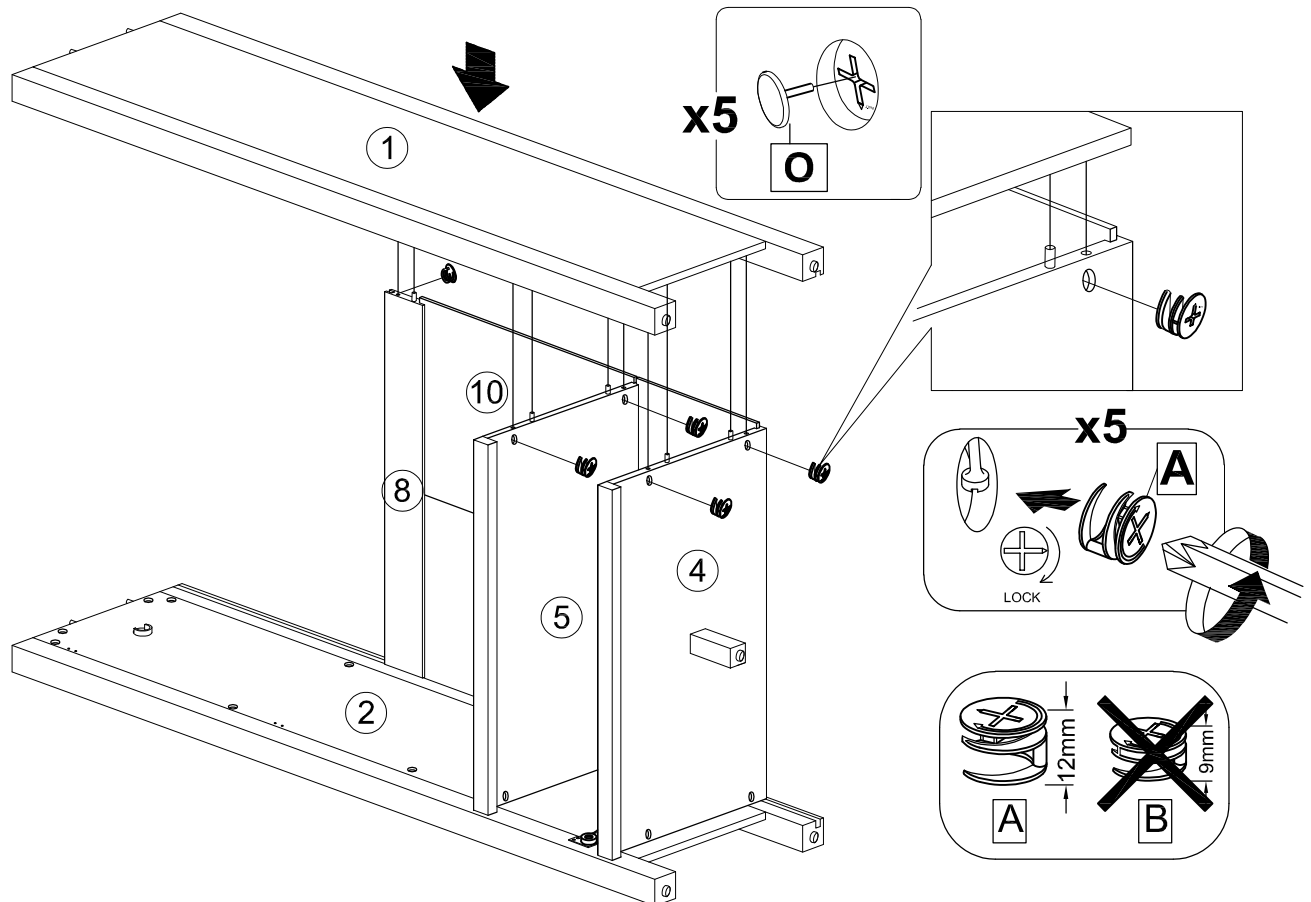


STEP 23

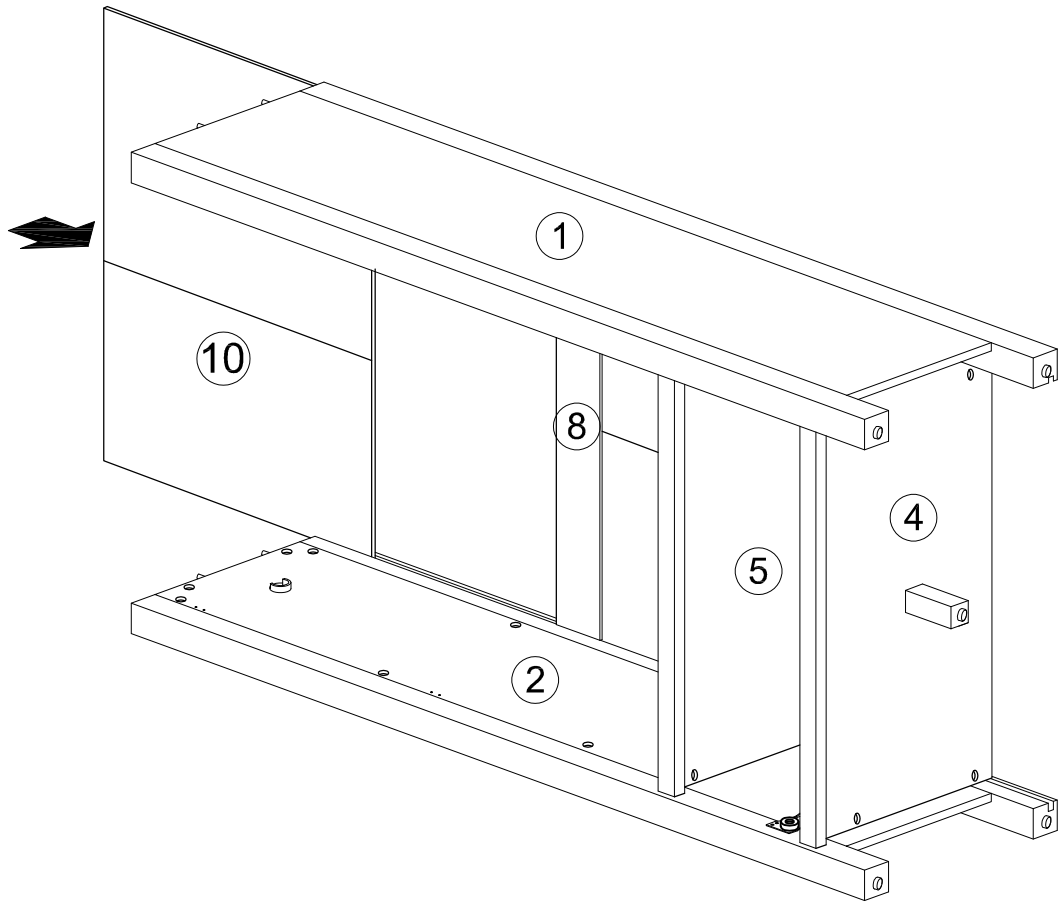


STEP 24



A		CAM 1633 SV	5
O		PVC CAP 17MM	5

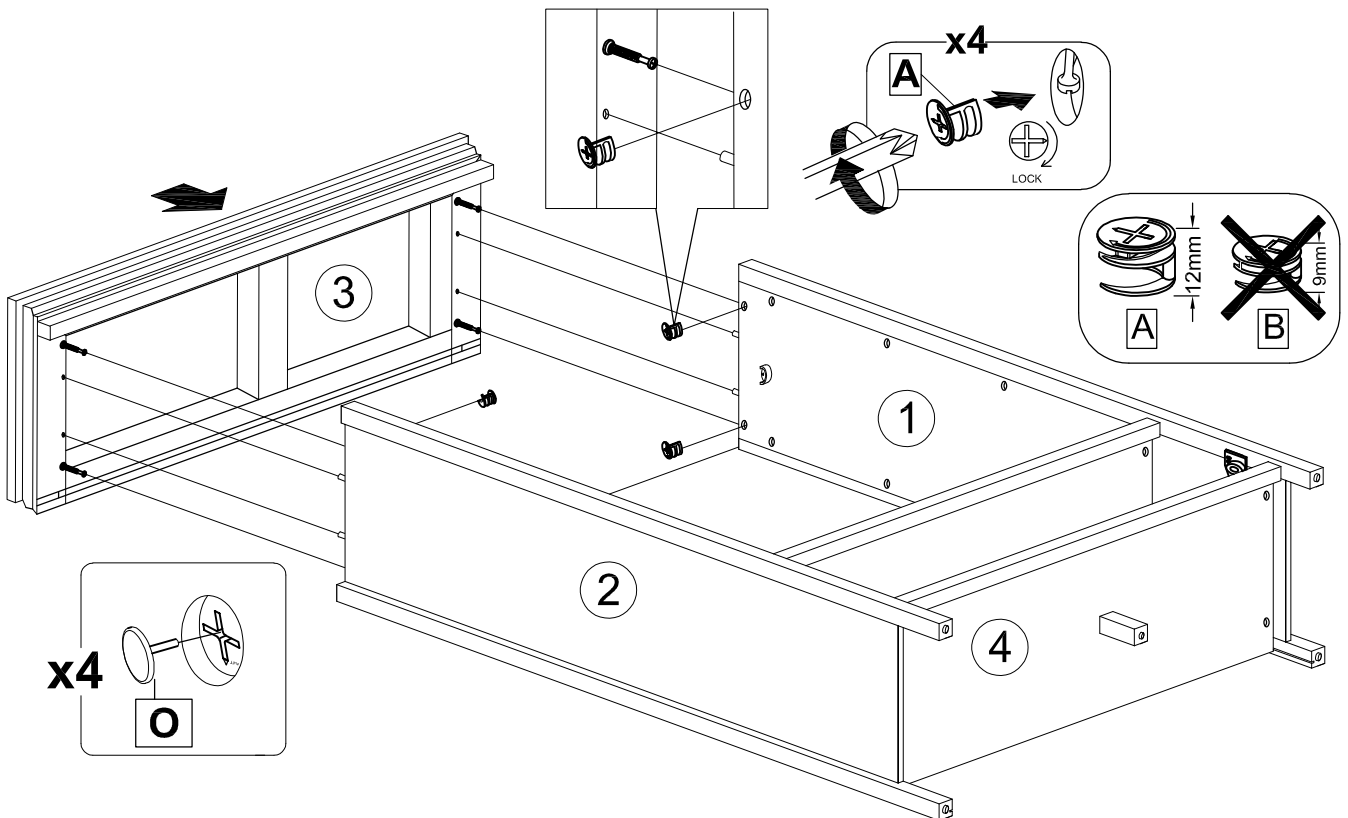


STEP 25



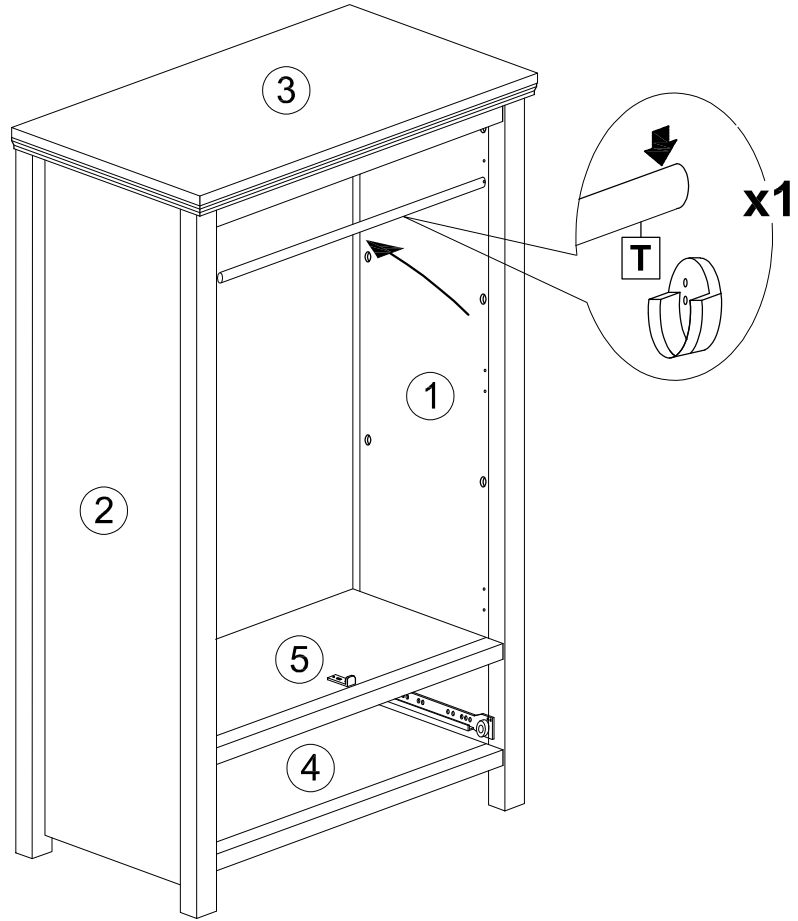
STEP 26

A		CAM 1633 SV	4
O		PVC CAP 17MM	4



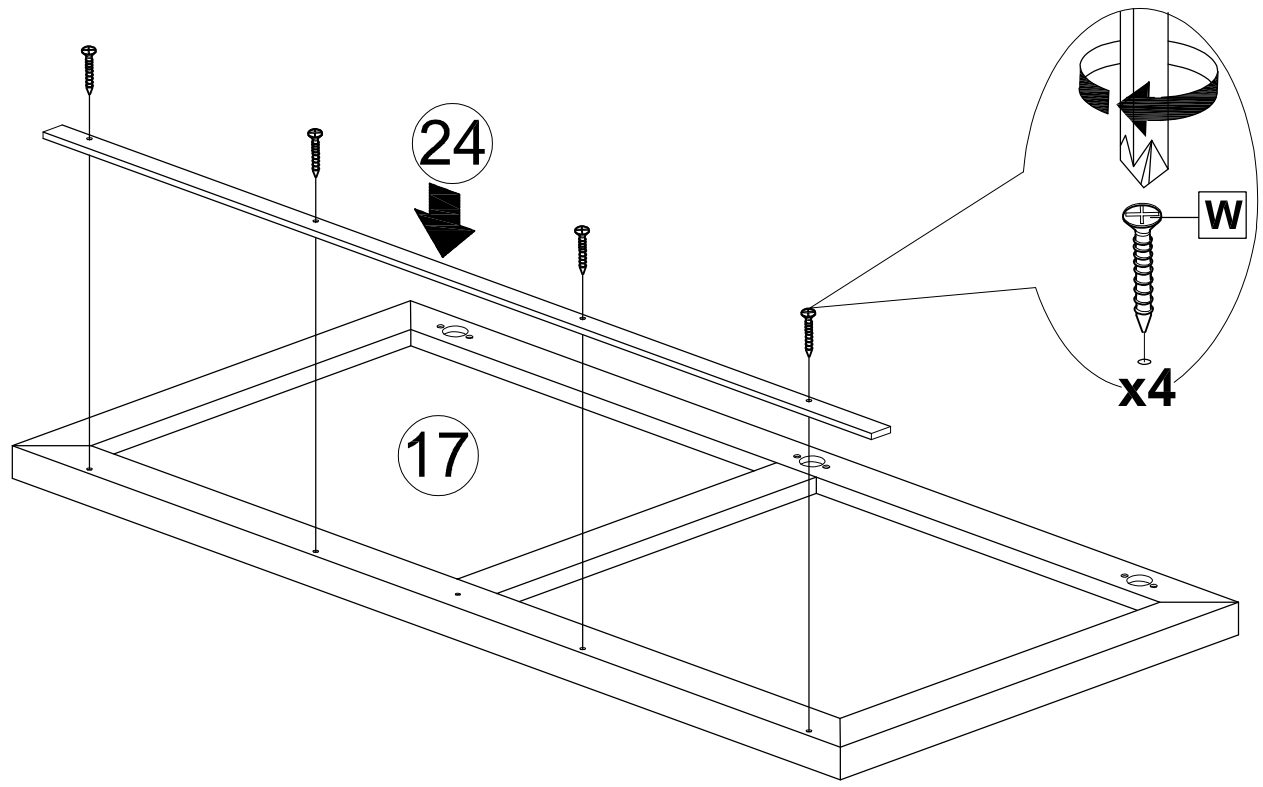
STEP 27

T		CHROME PIPE 1038MM	1
---	---	--------------------	---







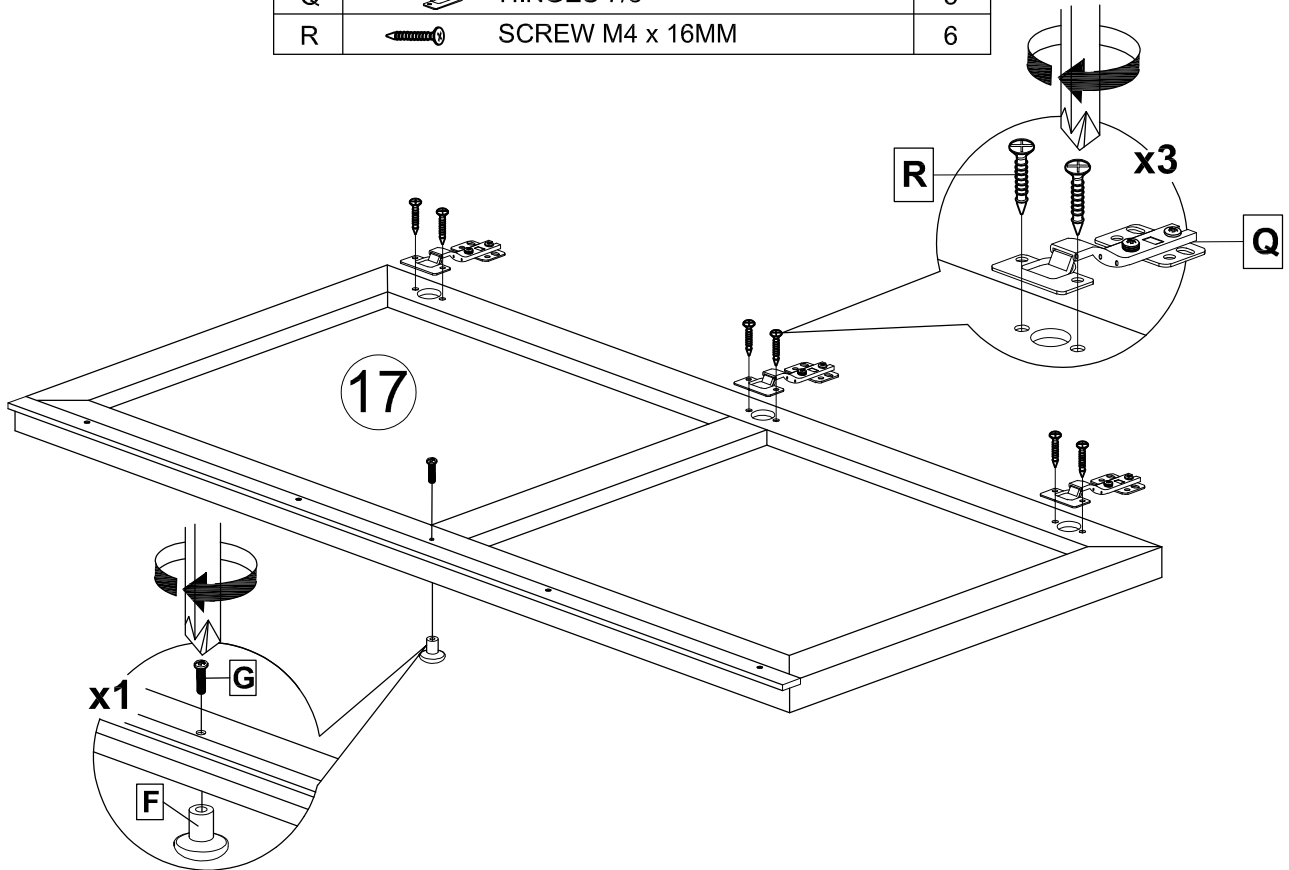
STEP 28

W		SCREW M4 x 20MM	4
---	---	-----------------	---







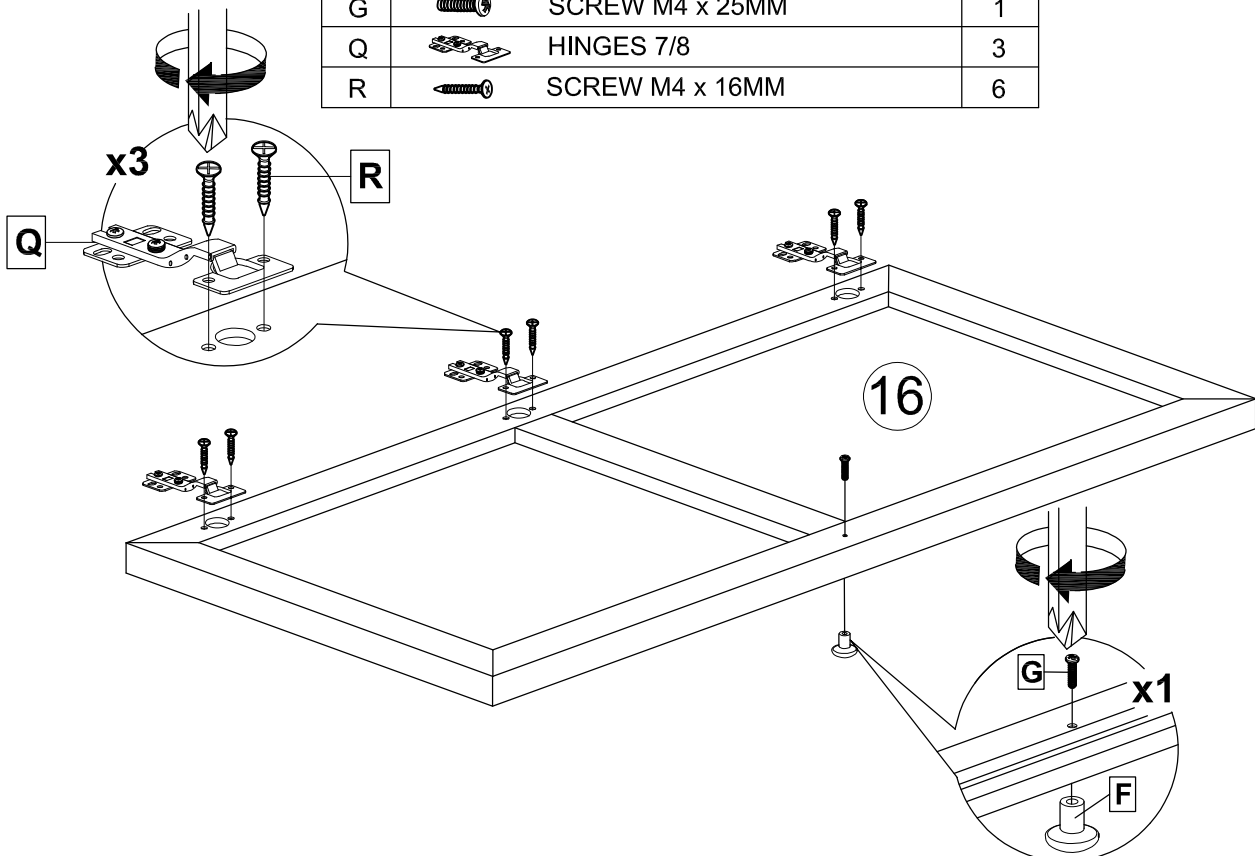
STEP 29

F		KNOB	1
G		SCREW M4 x 25MM	1
Q		HINGES 7/8	3
R		SCREW M4 x 16MM	6

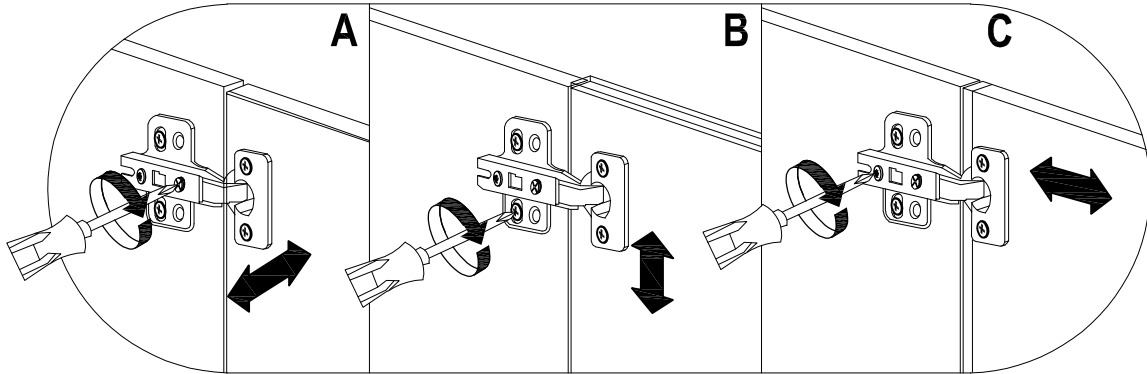


STEP 30

F		KNOB	1
G		SCREW M4 x 25MM	1
Q		HINGES 7/8	3
R		SCREW M4 x 16MM	6



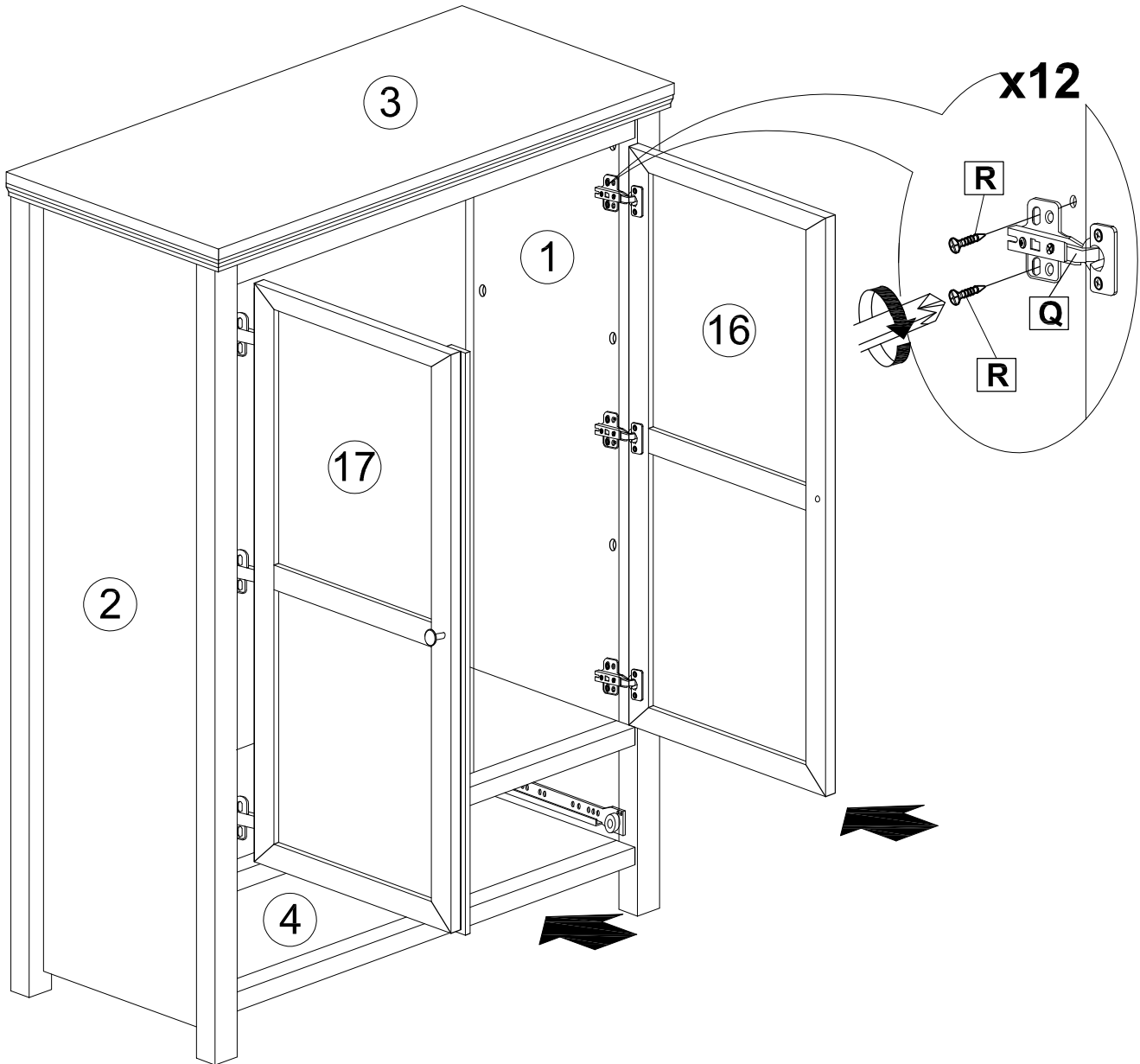
Hinges Adjustment






A. Turn front screw to adjust door overlay (sideway).

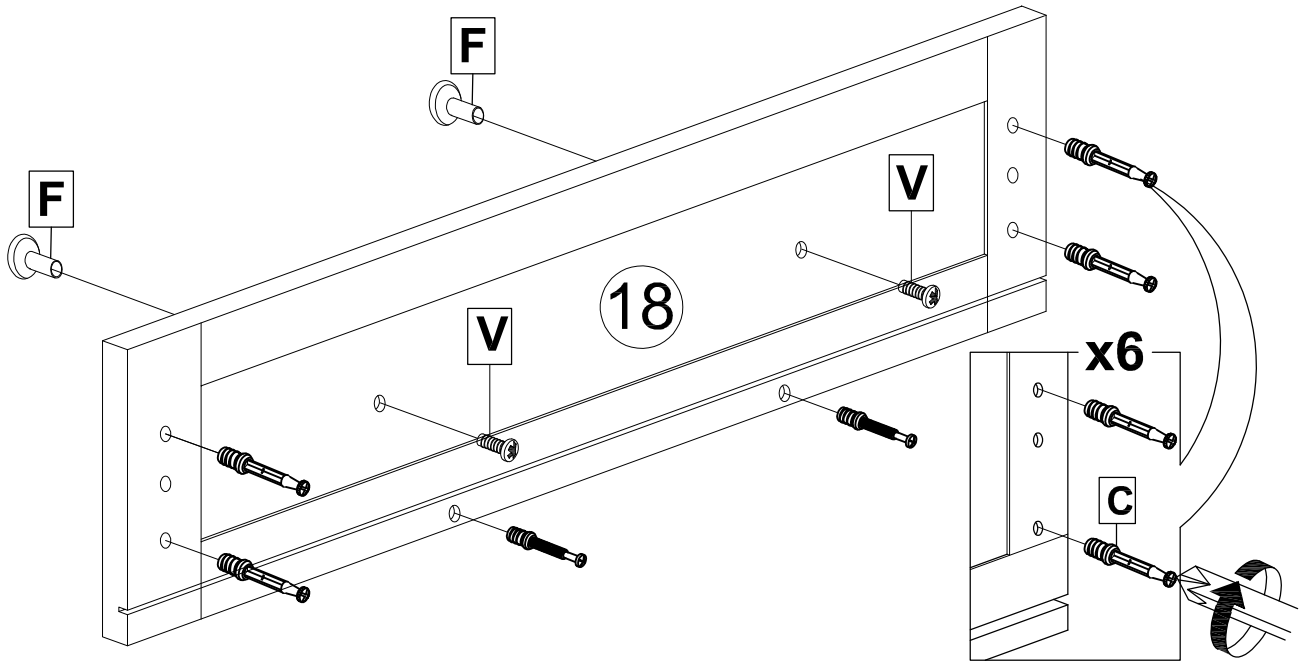
B. Rotate cam screw on mounting plate to adjust door height.

C. Turn rear screw for door depth adjustment.

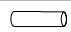



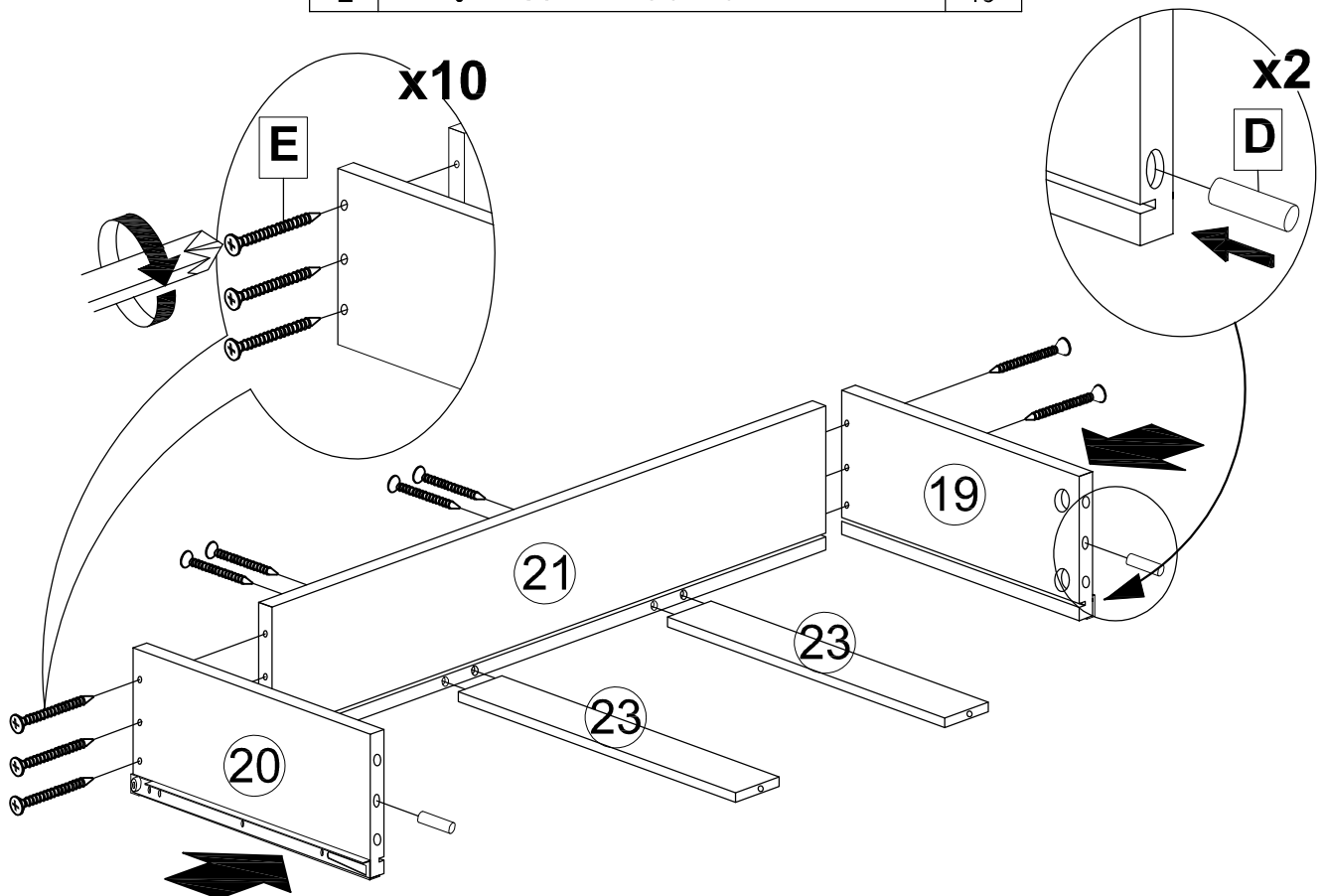
STEP 32

C		BOLT 0903 SV	6
F		KNOB	2
V		SCREW M4 x 10MM	2

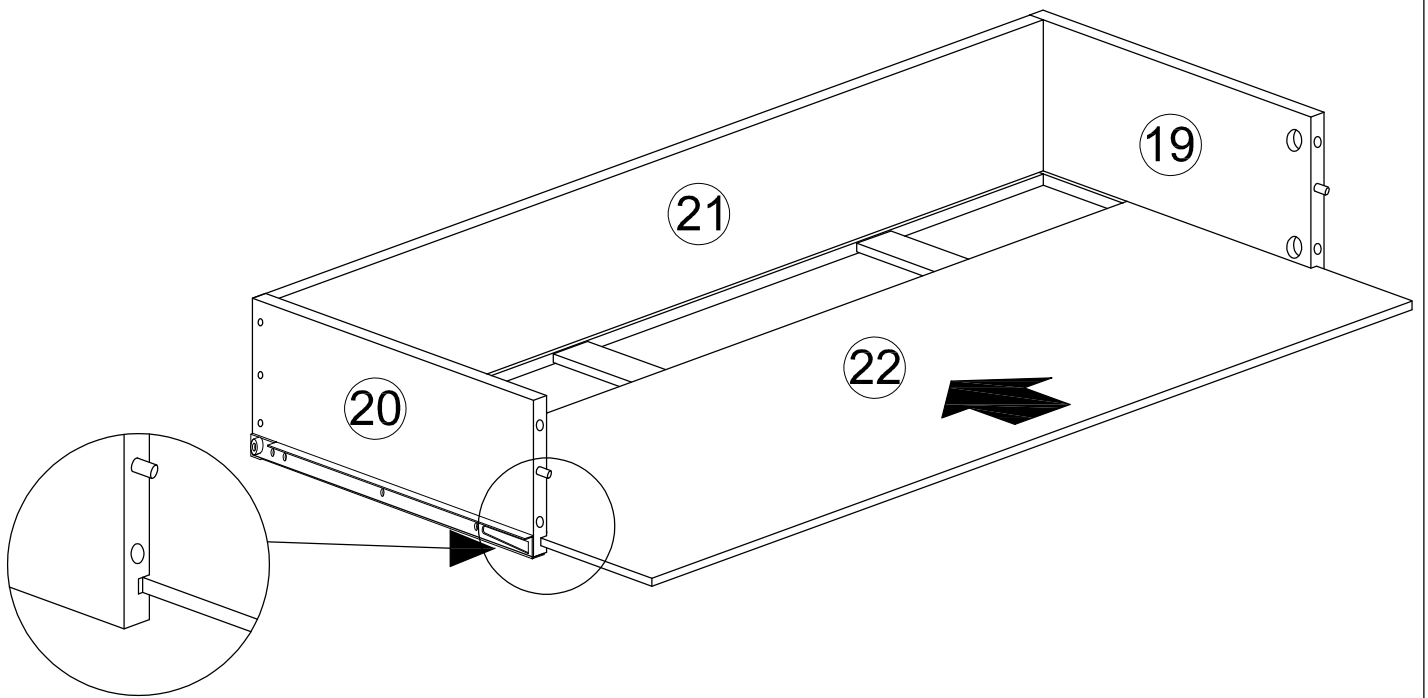


STEP 33



D		METAL DOWEL DIA 6 x 30MM	2
E		SCREW M3.5 x 25MM	10

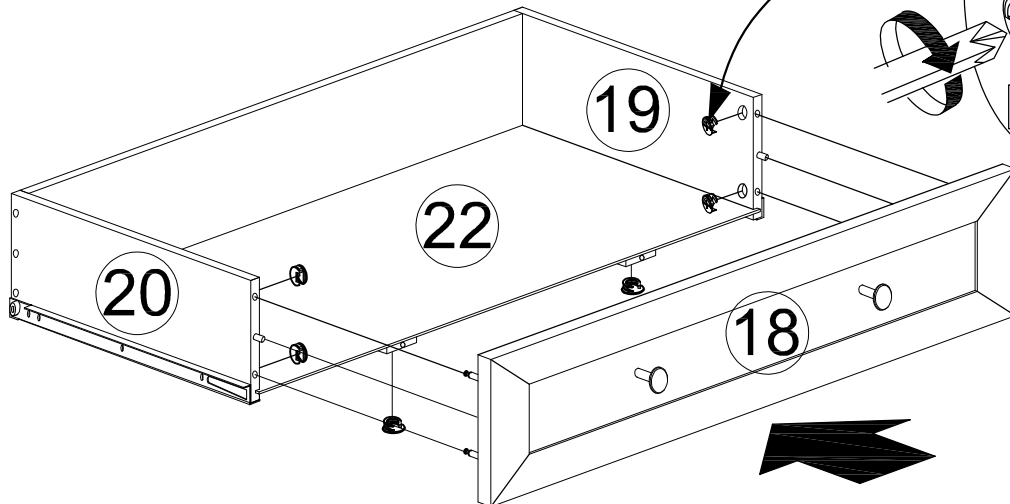
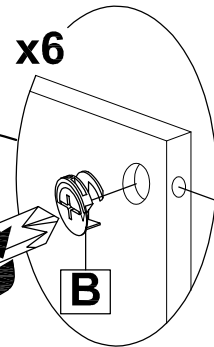
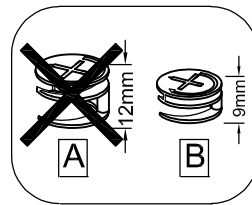
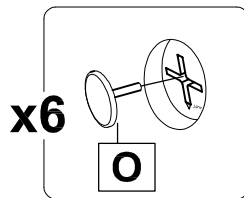


STEP 34

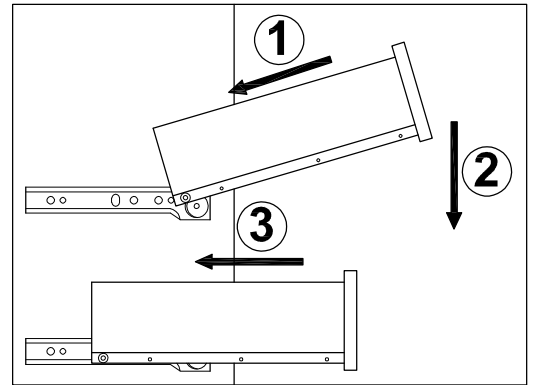
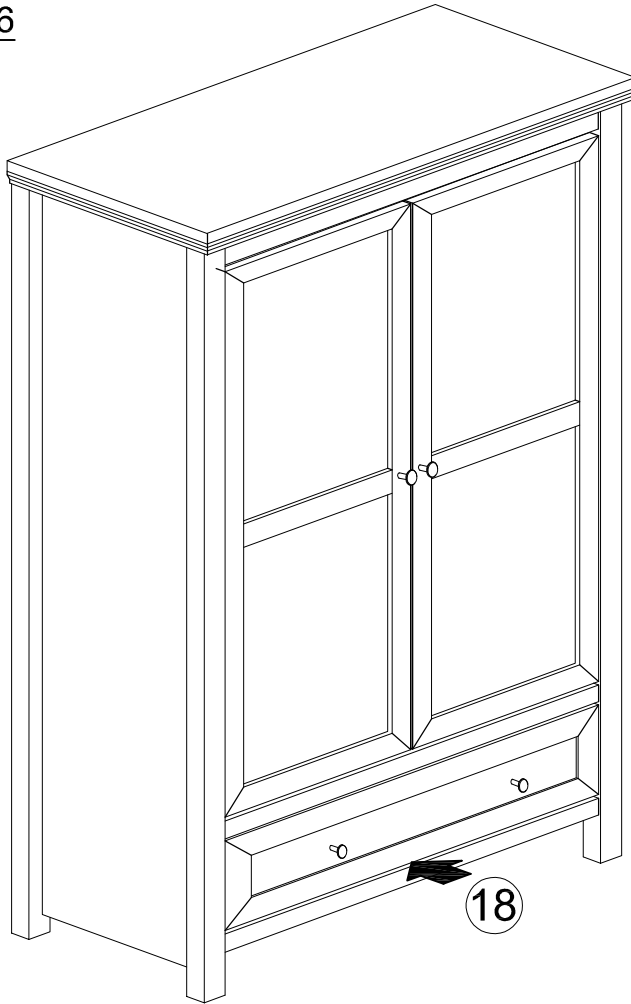


STEP 35



B		CAM 1238 SV	6
O		PVC CAP 17MM	6

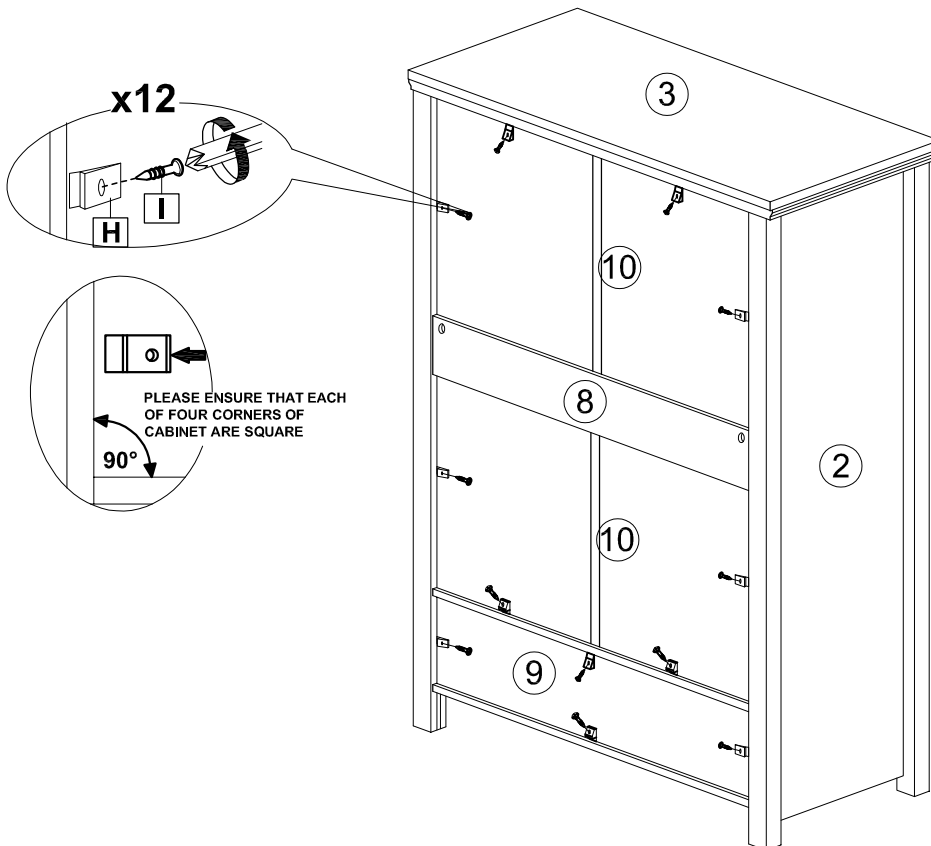


STEP 36



STEP 37

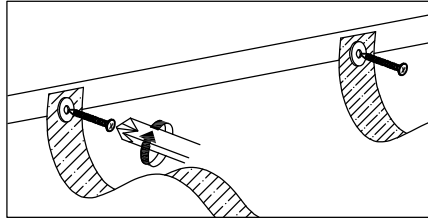
H		BACKPLY STOPPER	12
I		SCREW M3 x 20MM	12



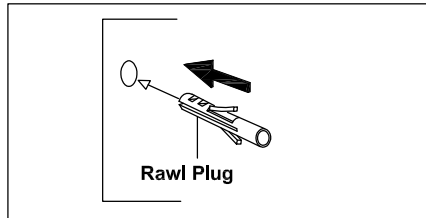
STEP 38

P		ANTI TIP STRAP	2
---	---	----------------	---

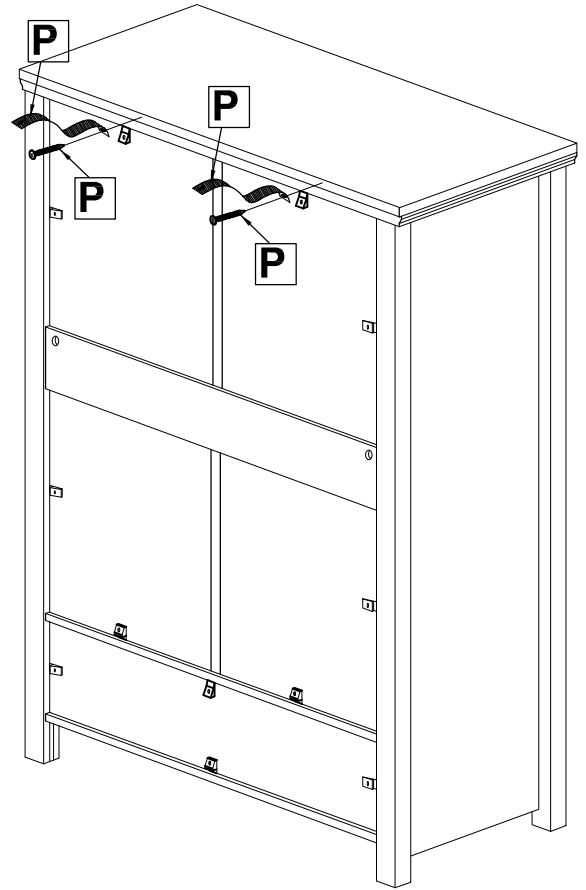
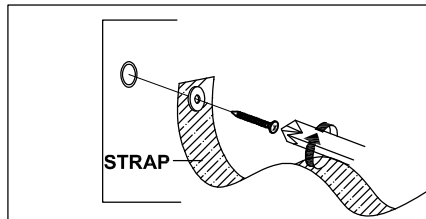
STEP 1 :
Insert the screw in
the top panel
of your furniture



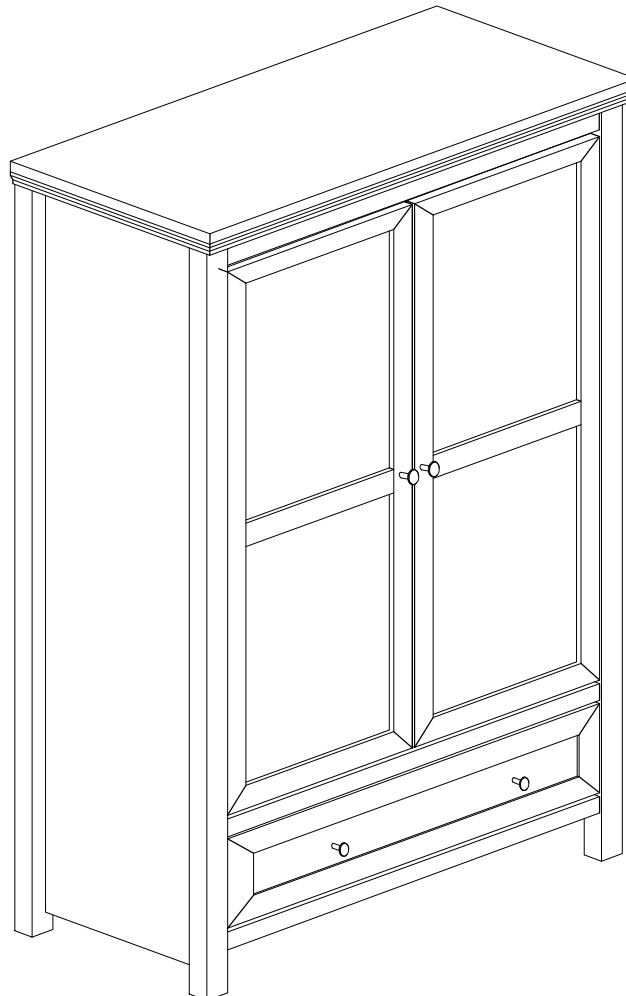
STEP 2 :
Make a hole on
the wall and insert
the wall plug in



STEP 3 :
Insert the screw in
the wall plug hole

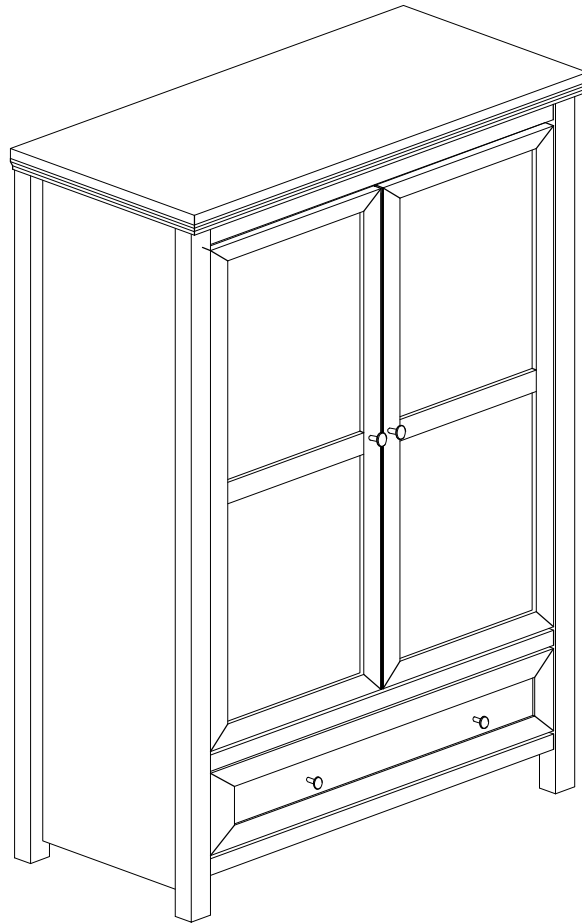


COMPLETED



MAINTENANCE AND CARE GUIDE

IVES WHITE 2 DOOR WARDROBE IVES BLACK 2 DOOR WARDROBE



Maintenance:

- To clean and care for your furniture.
- Use a soft, clean cloth that **will** not scratch the surface when dusting.
- Use of furniture polishes is not necessary. Should you choose to use polishes, test first in an inconspicuous area.
- Using solvents of any kind on your furniture may damage the finish.
- Never use water to clean your furniture as it may cause damage to the finish.
- Always use coasters under beverage glasses and flowerpots.
- Liquid spills should be removed immediately. Using a soft clean cloth, blot the spill gently. Avoid rubbing.
- Always use protective pads under hot dishes and plates. Heat can cause chemical changes that may create spotting within the furniture finish.
- Stains or marks from crayons or ink markers **will** be difficult to remove.
- In the event that your furniture is stained or otherwise damaged during use, we recommend that you call a professional to repair your furniture.
- Check bolts/screws periodically and tighten them if necessary.

Care and cleaning:

- It is best to keep your furniture in a climate-controlled environment. Extreme temperature and humidity changes can cause fading, warping, shrinking and splitting of wood. It is advised to keep furniture away from direct sunlight as sun may damage the finish.
- Proper care and cleaning at home **will** extend the life of your purchase. Following these important and helpful tips **will** enhance your furniture as it ages.