

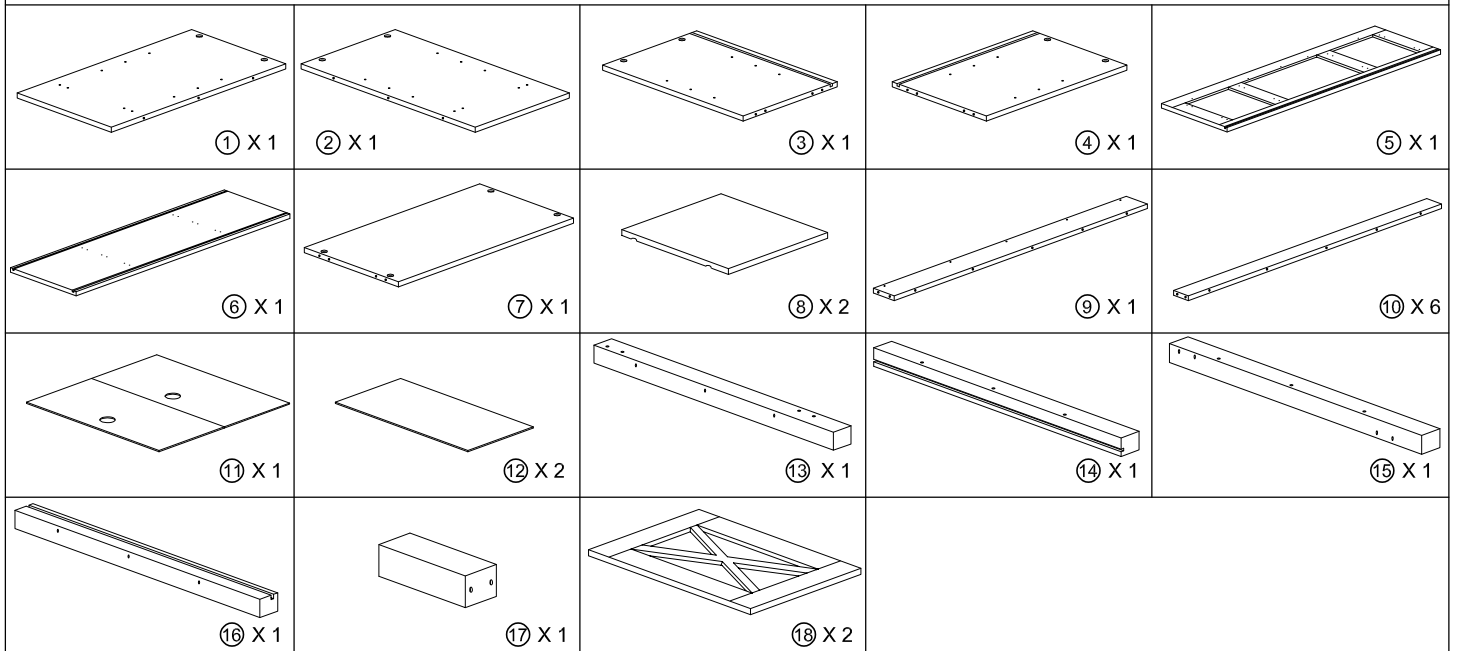
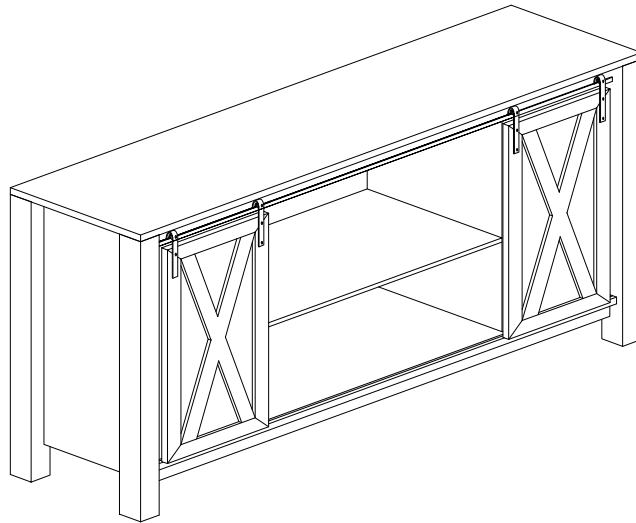
LPD HOME™


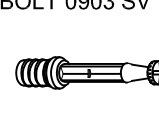
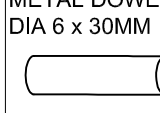
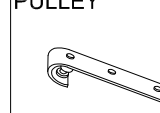



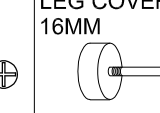
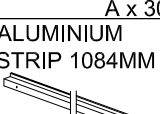
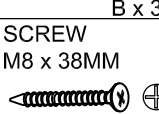
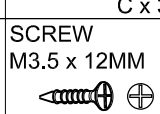


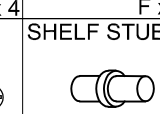
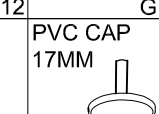
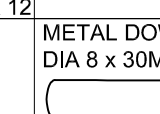
ASSEMBLY INSTRUCTION

CLOVER SHADOW OAK BLACK/GLASS MEDIA UNIT


Please read before you continue further.

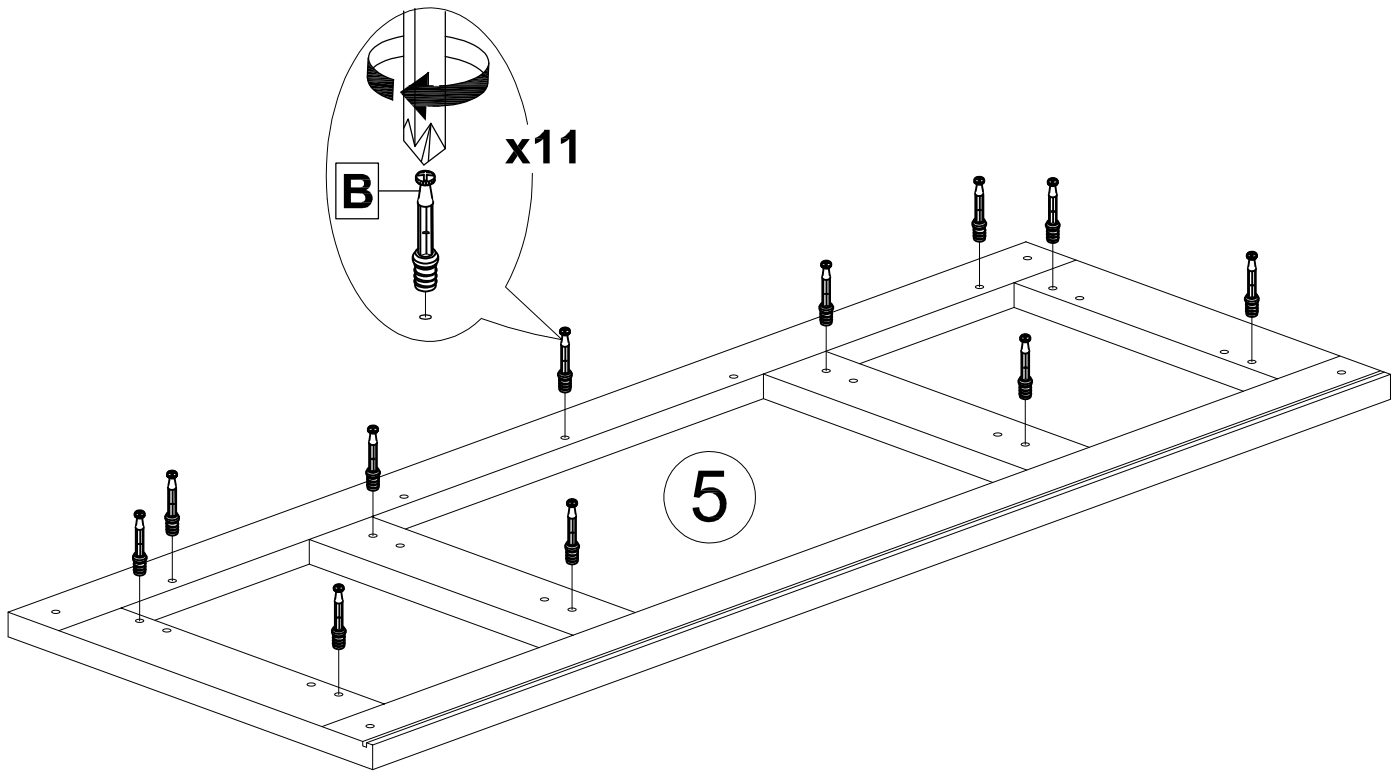
PLEASE KEEP THE ORIGINAL PACKAGING UNTIL THE ITEM IS FULLY ASSEMBLED AND IN PLACE. IN TIME UNLIKELY EVENT THAT YOU NEED TO RETURN YOUR PRODUCT. IT MUST BE RETURNED IN ITS ORIGINAL PACKAGING TO AVOID FURTHER DAMAGE. FAILURE TO FOLLOW THESE PROCEDURES, NO RETURNS WILL BE ACCEPTED.



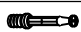
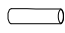
| | | | | | | | |
|---|--|--|--|--|---|---|---|
|  CAM 1633 SV A x 30 |  BOLT 0903 SV B x 30 |  METAL DOWEL DIA 6 x 30MM C x 36 |  PULLEY D x 4 |  DOOR HOLDER E x 4 |  BACKPLY STOPPER F x 12 |  SCREW M3 x 20MM G x 12 |  LEG COVER 16MM H x 6 |
|  ALUMINIUM STRIP 1084MM I x 1 |  SCREW M8 x 38MM J x 8 |  SCREW M3.5 x 12MM K x 8 |  SCREW M6 x 12MM L x 8 |  SCREW M6 x 25MM M x 5 |  SHELF STUB N x 8 |  PVC CAP 17MM O x 30 |  METAL DOWEL DIA 8 x 30MM P x 4 |

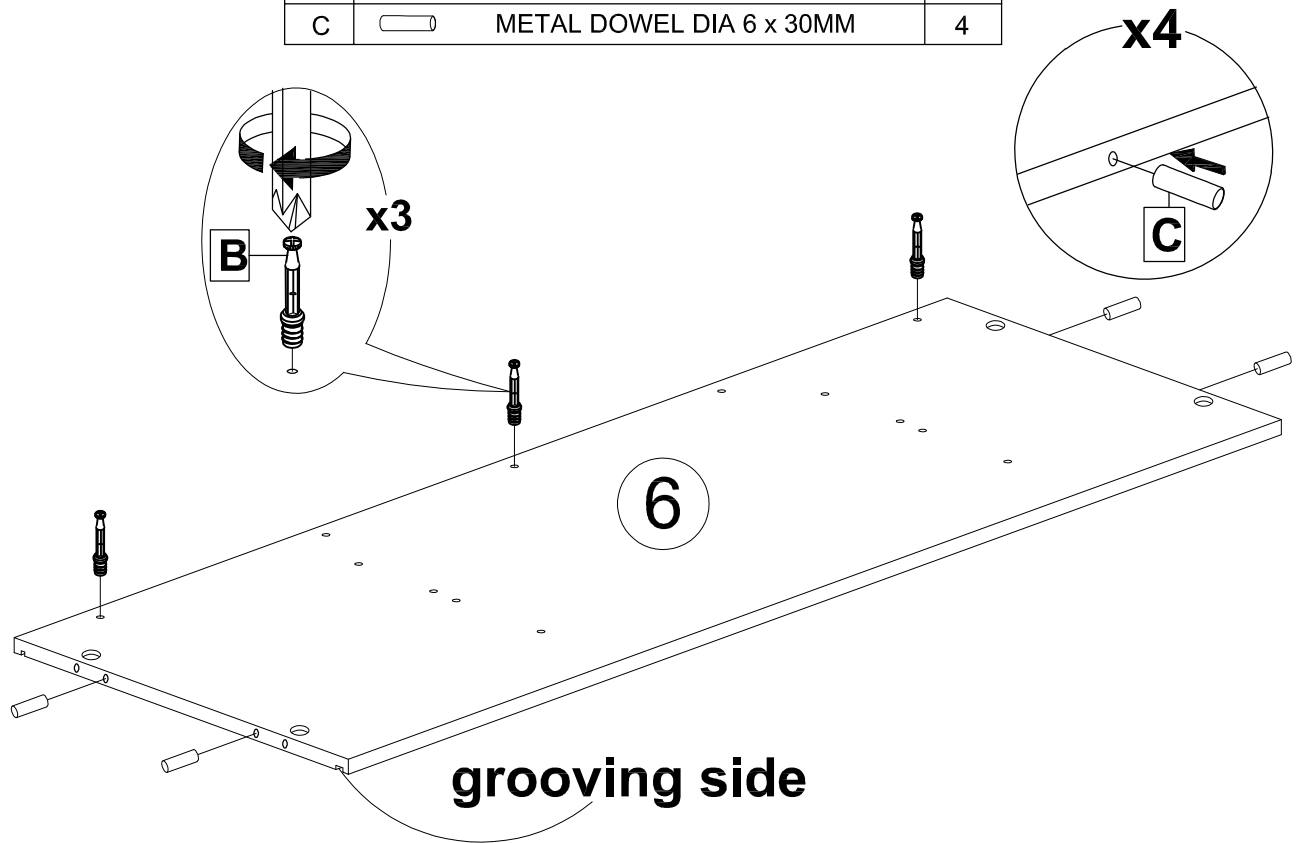
STEP 1

| | | | |
|---|---|--------------|----|
| B |  | BOLT 0903 SV | 11 |
|---|---|--------------|----|


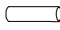


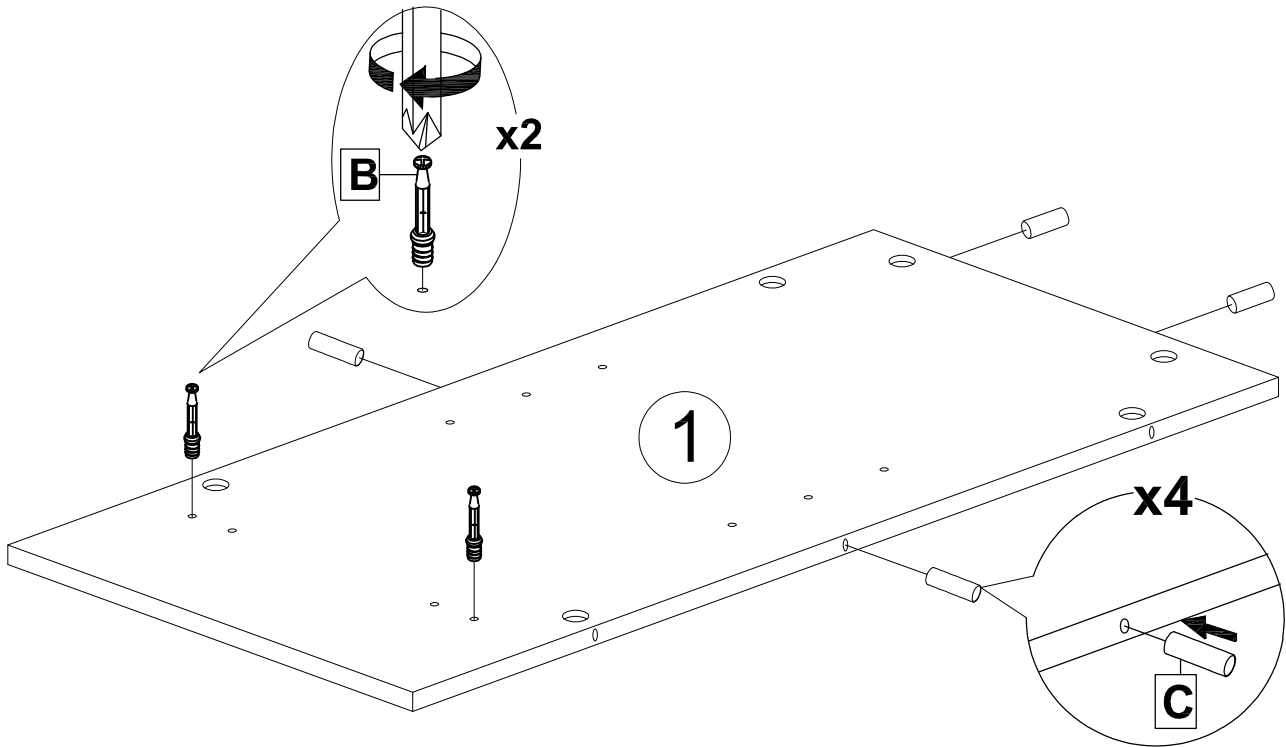
STEP 2

| | | | |
|---|---|--------------------------|---|
| B |  | BOLT 0903 SV | 3 |
| C |  | METAL DOWEL DIA 6 x 30MM | 4 |


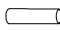


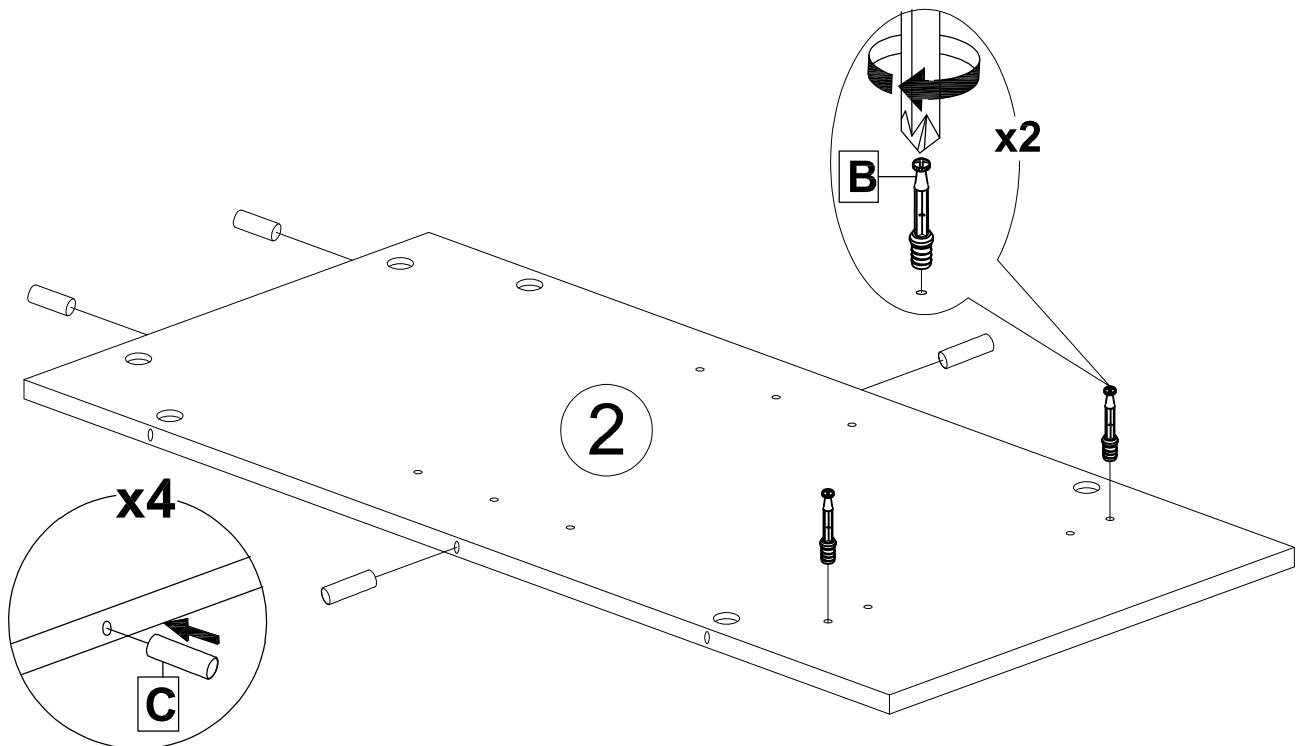
STEP 3

| | | | |
|---|---|--------------------------|---|
| B |  | BOLT 0903 SV | 2 |
| C |  | METAL DOWEL DIA 6 x 30MM | 4 |


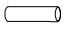


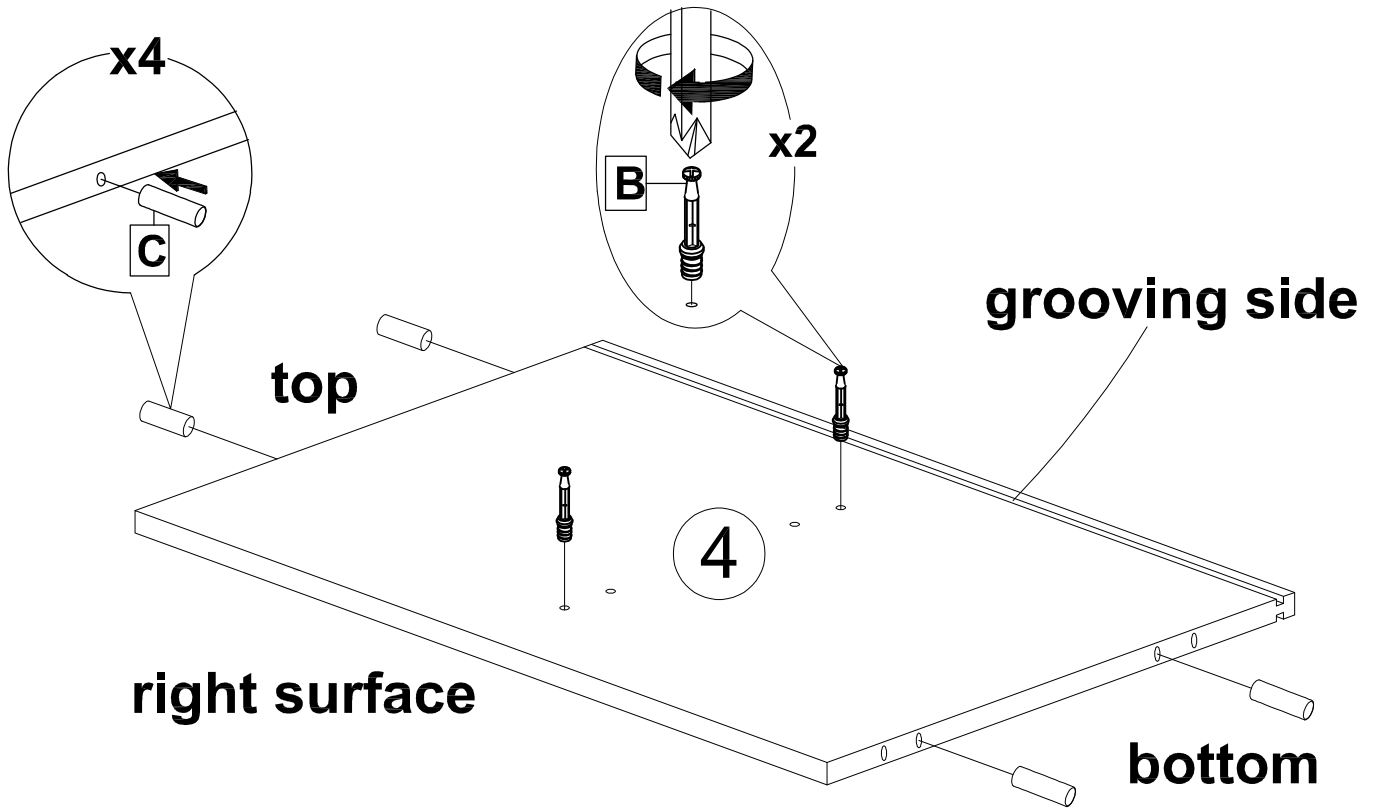
STEP 4

| | | | |
|---|---|--------------------------|---|
| B |  | BOLT 0903 SV | 2 |
| C |  | METAL DOWEL DIA 6 x 30MM | 4 |





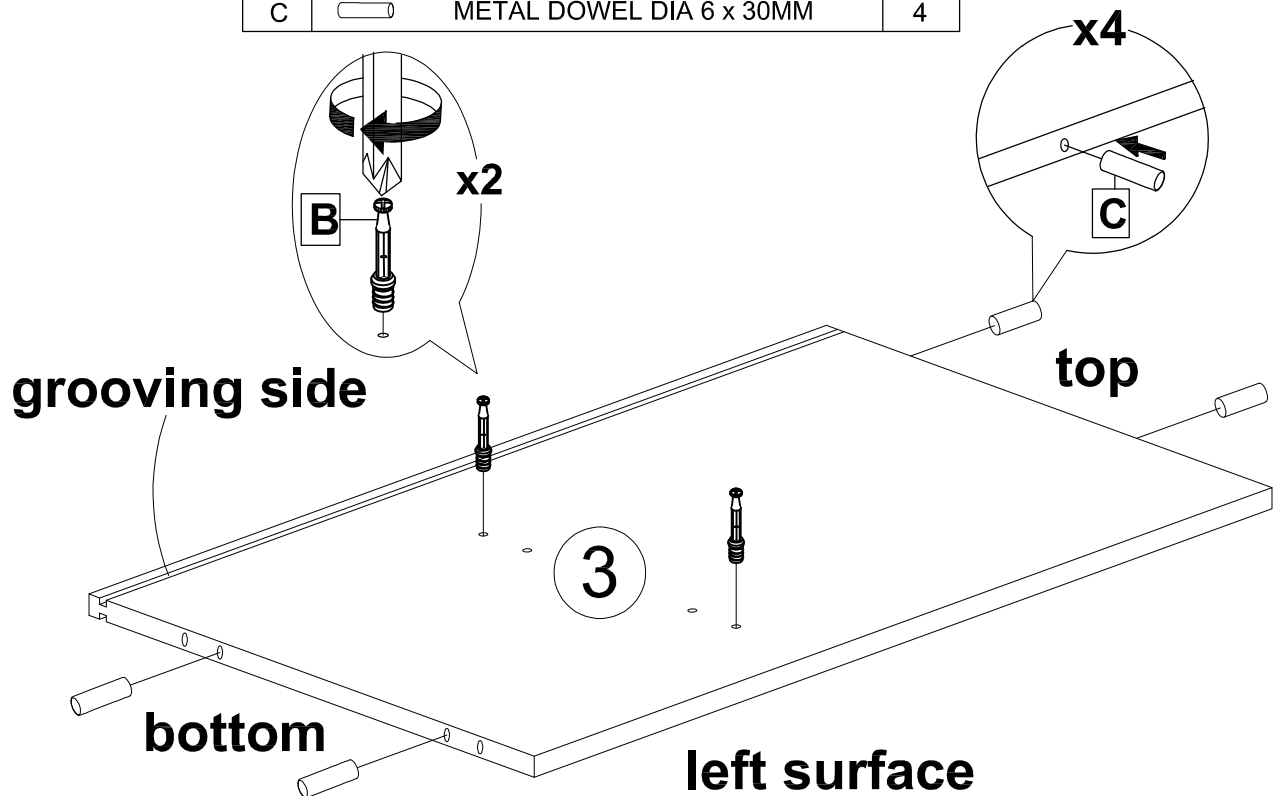
STEP 5

| | | | |
|---|---|--------------------------|---|
| B |  | BOLT 0903 SV | 2 |
| C |  | METAL DOWEL DIA 6 x 30MM | 4 |



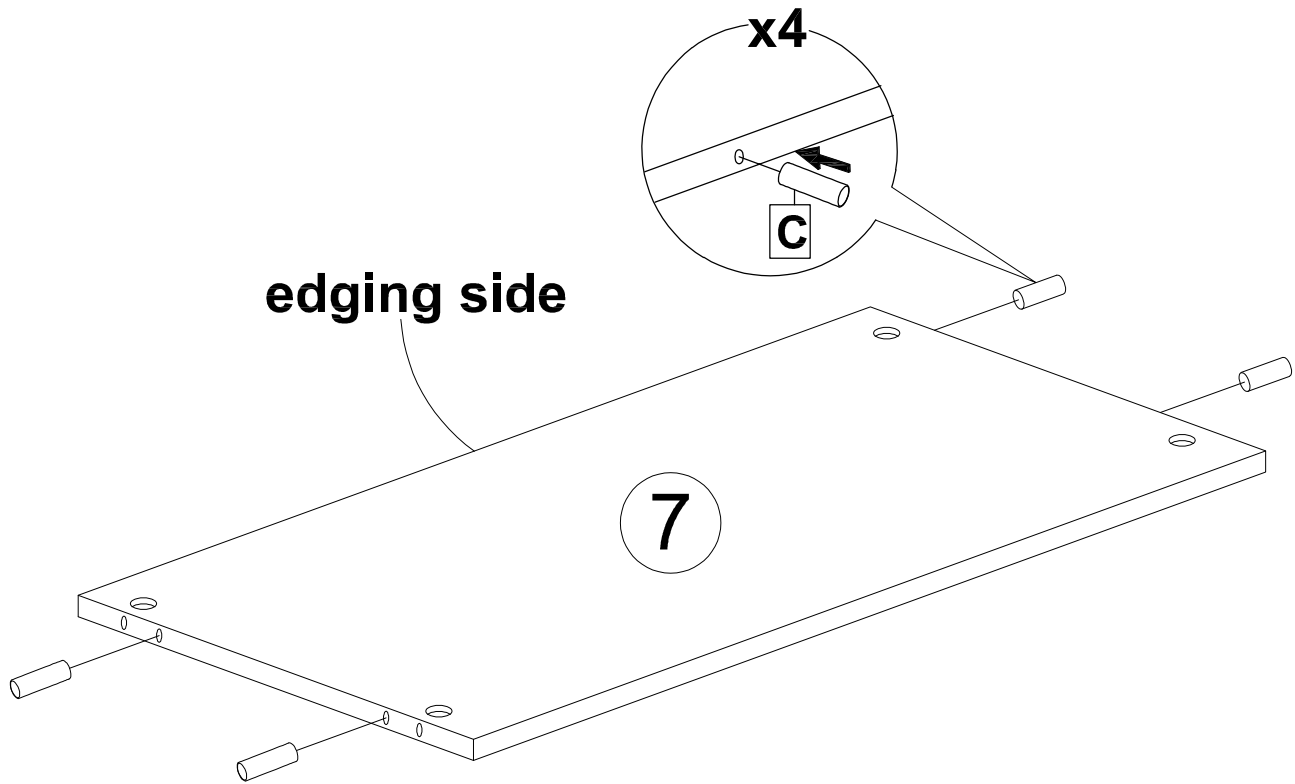
STEP 6

| | | | |
|---|---|--------------------------|---|
| B |  | BOLT 0903 SV | 2 |
| C |  | METAL DOWEL DIA 6 x 30MM | 4 |

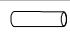




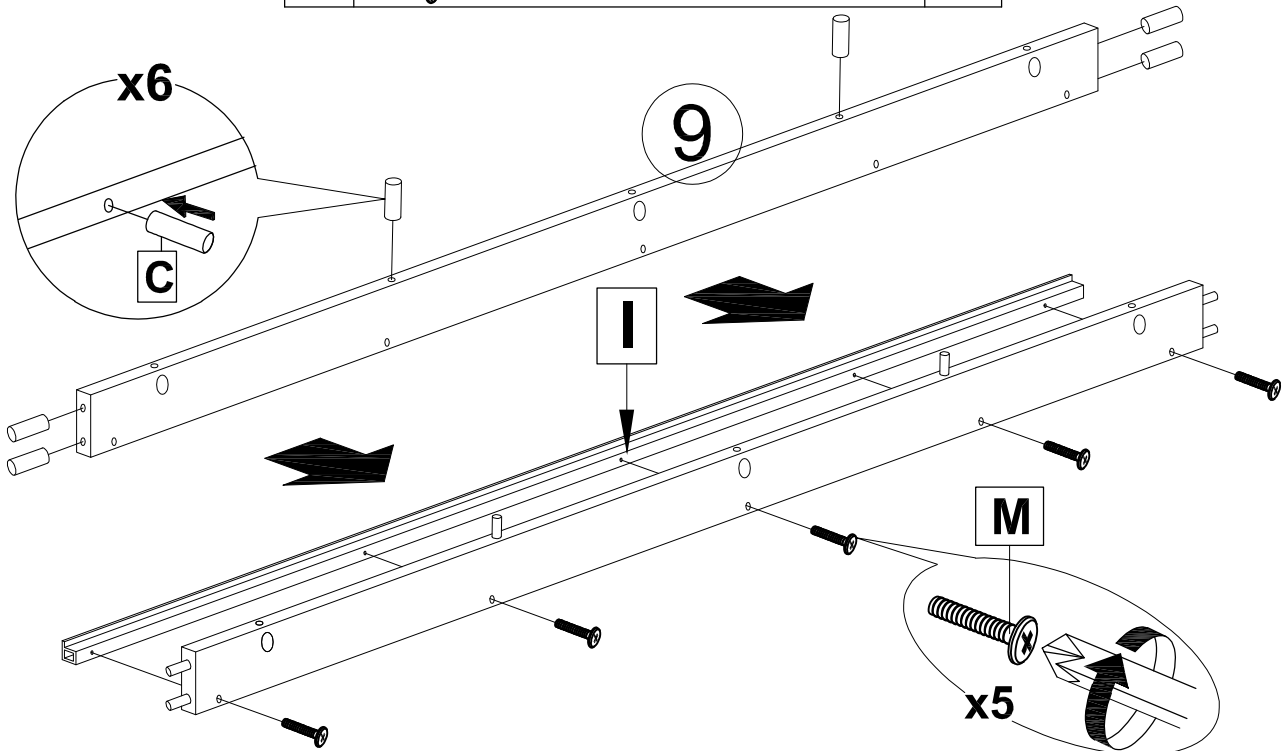
STEP 7

| | | | |
|---|---|--------------------------|---|
| C |  | METAL DOWEL DIA 6 x 30MM | 4 |
|---|---|--------------------------|---|



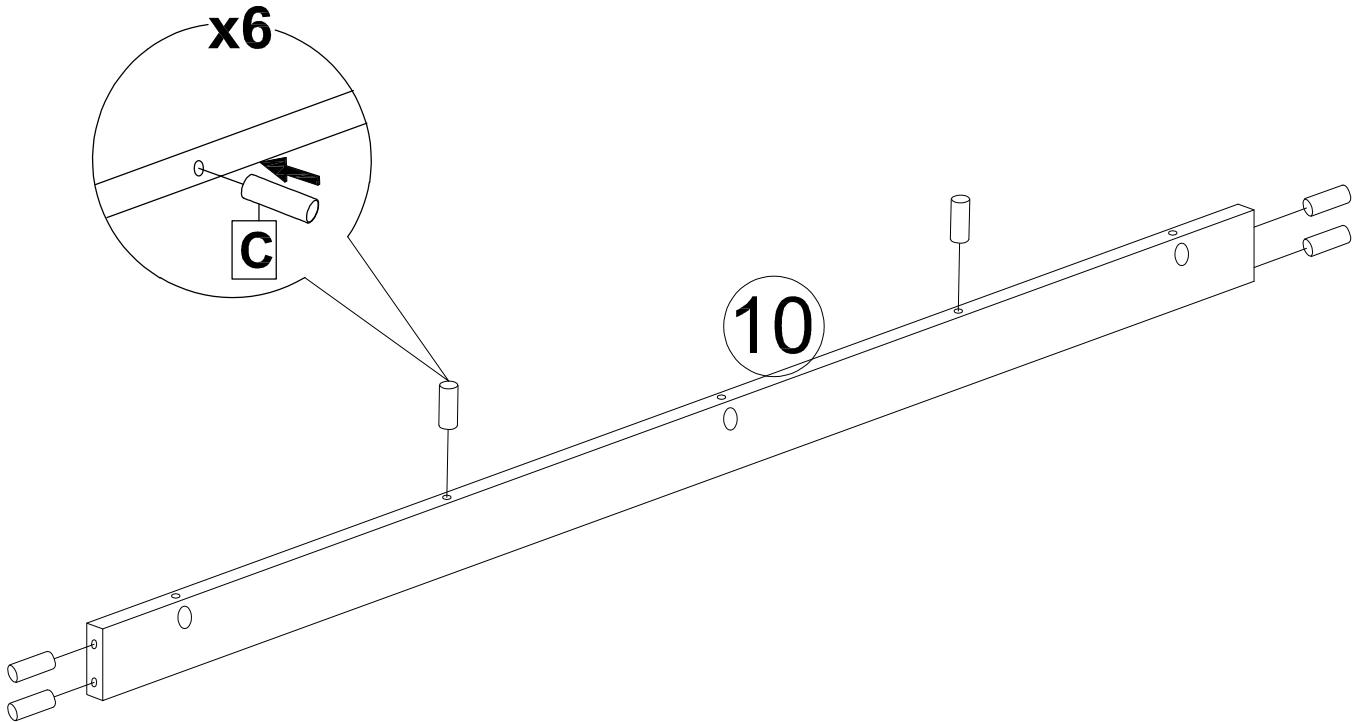
STEP 8

| | | | |
|---|---|--------------------------|---|
| C |  | METAL DOWEL DIA 6 x 30MM | 6 |
| I |  | ALUMINIUM STRIP 1084MM | 1 |
| M |  | SCREW M6 x 25MM | 5 |





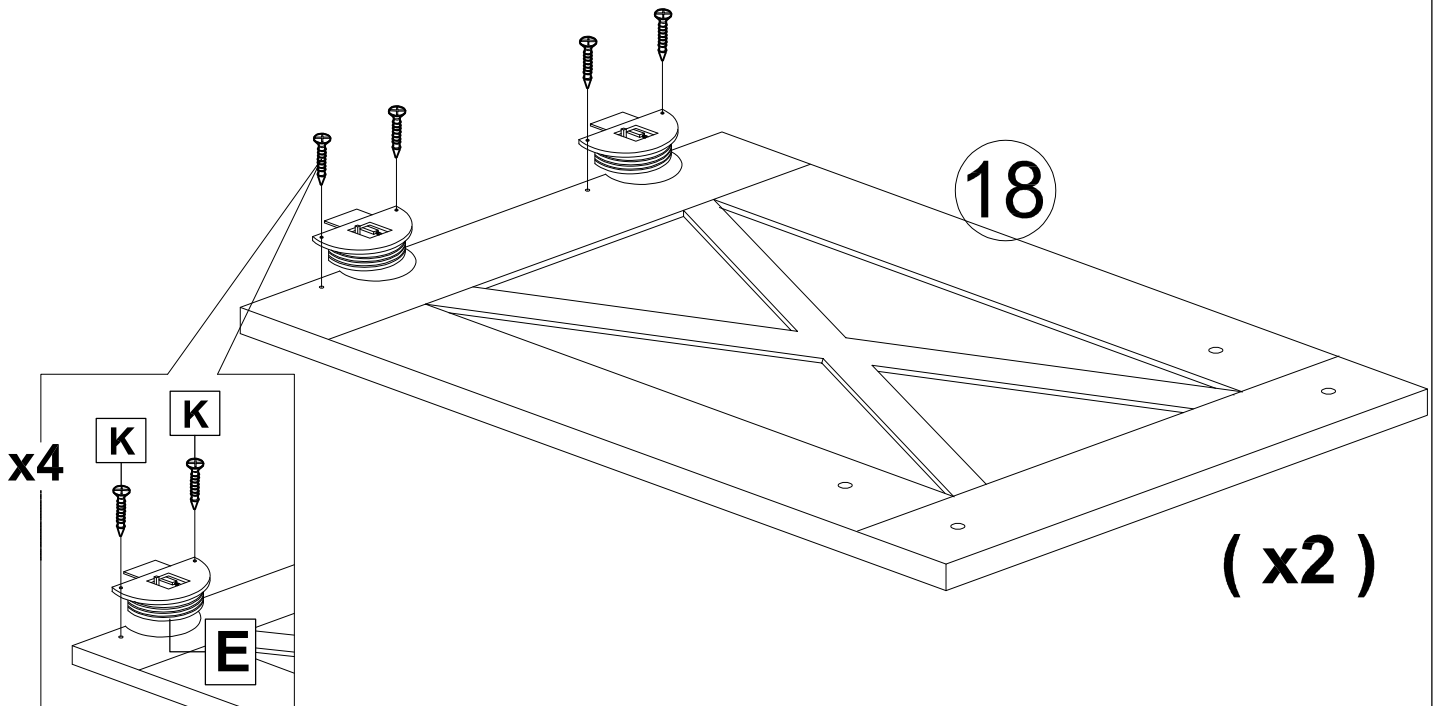
STEP 9

| | | | |
|---|---|--------------------------|---|
| C |  | METAL DOWEL DIA 6 x 30MM | 6 |
|---|---|--------------------------|---|


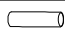


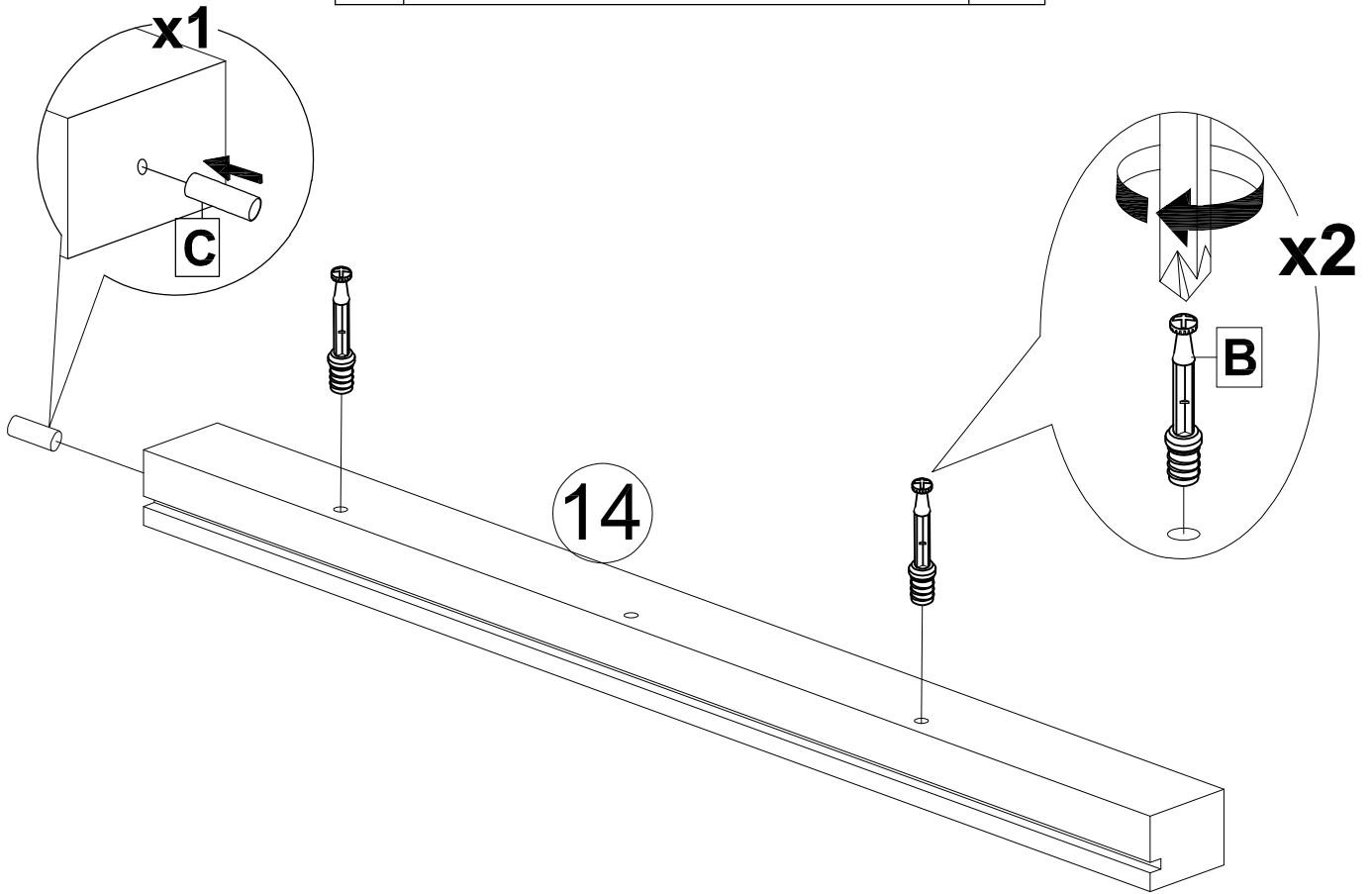
STEP 10

| | | | |
|---|---|-------------------|---|
| E |  | DOOR HOLDER | 4 |
| K |  | SCREW M3.5 x 12MM | 8 |


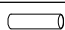


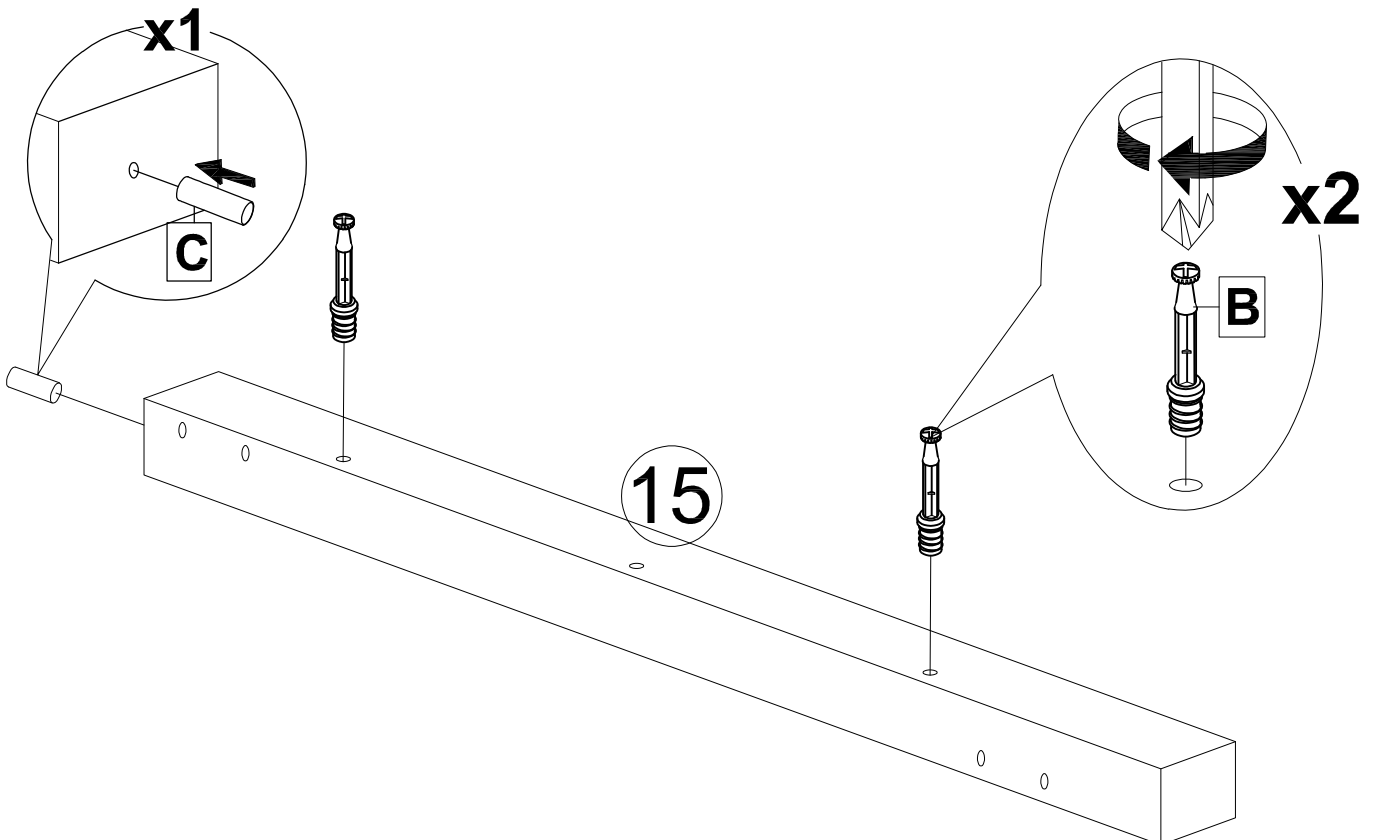
STEP 13

| | | | |
|---|---|--------------------------|---|
| B |  | BOLT 0903 SV | 2 |
| P |  | METAL DOWEL DIA 8 x 30MM | 1 |


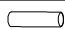


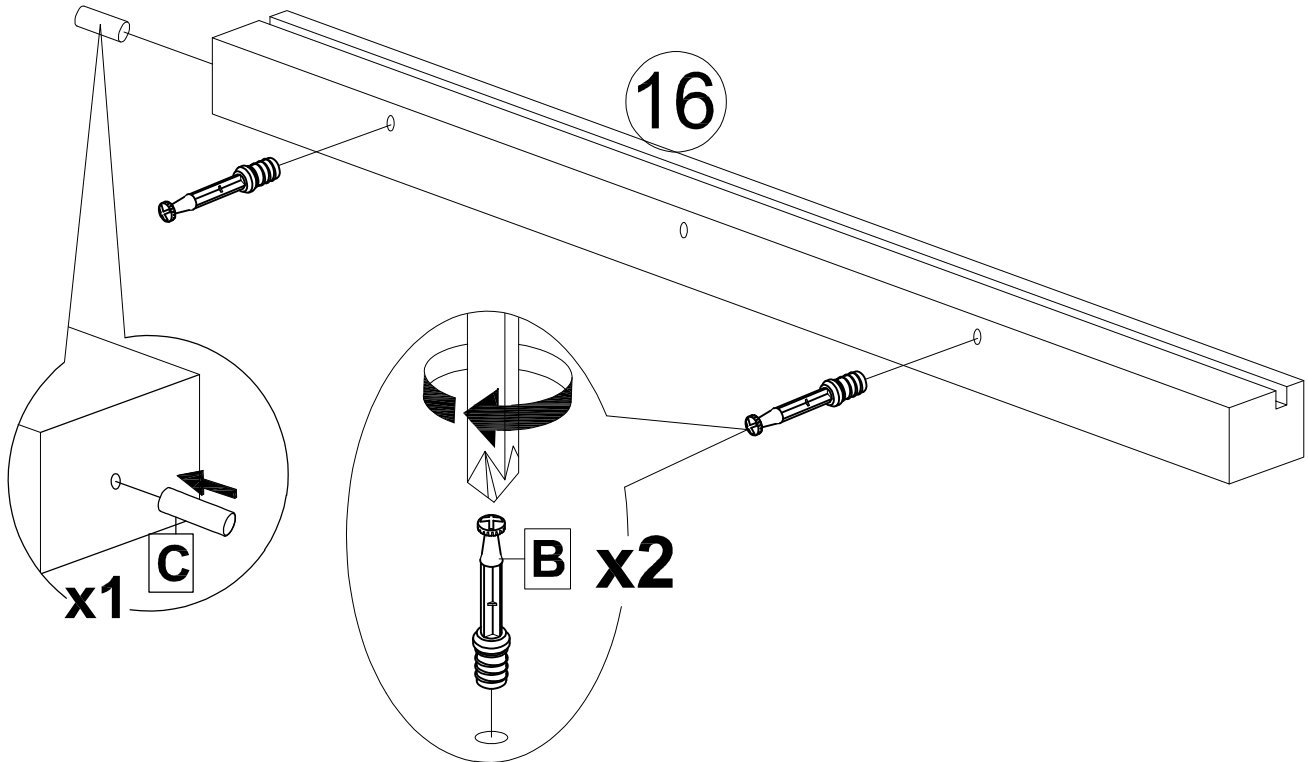
STEP 14

| | | | |
|---|---|--------------------------|---|
| B |  | BOLT 0903 SV | 2 |
| P |  | METAL DOWEL DIA 8 x 30MM | 1 |





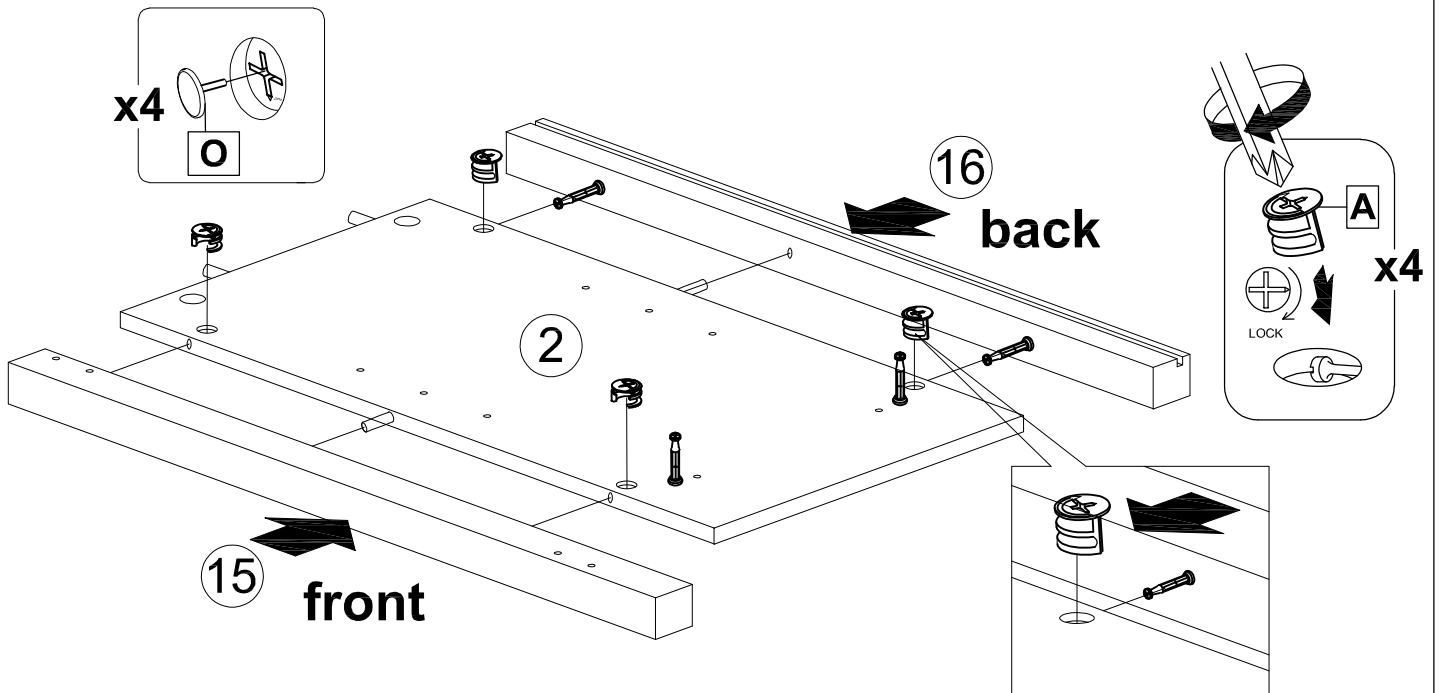
STEP 15

| | | | |
|---|---|--------------------------|---|
| B |  | BOLT 0903 SV | 2 |
| P |  | METAL DOWEL DIA 8 x 30MM | 1 |





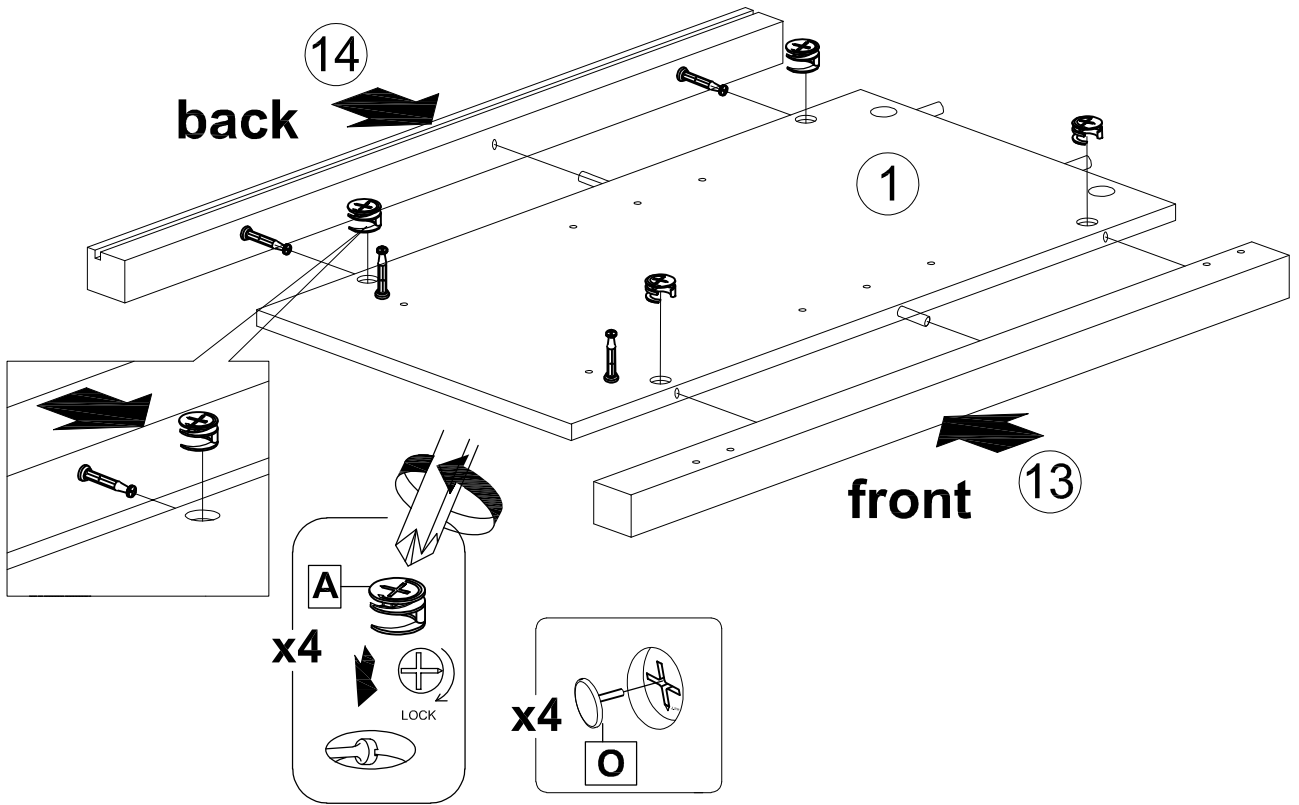
STEP 16

| | | | |
|---|---|--------------|---|
| A |  | CAM 1633 SV | 4 |
| O |  | PVC CAP 17MM | 4 |





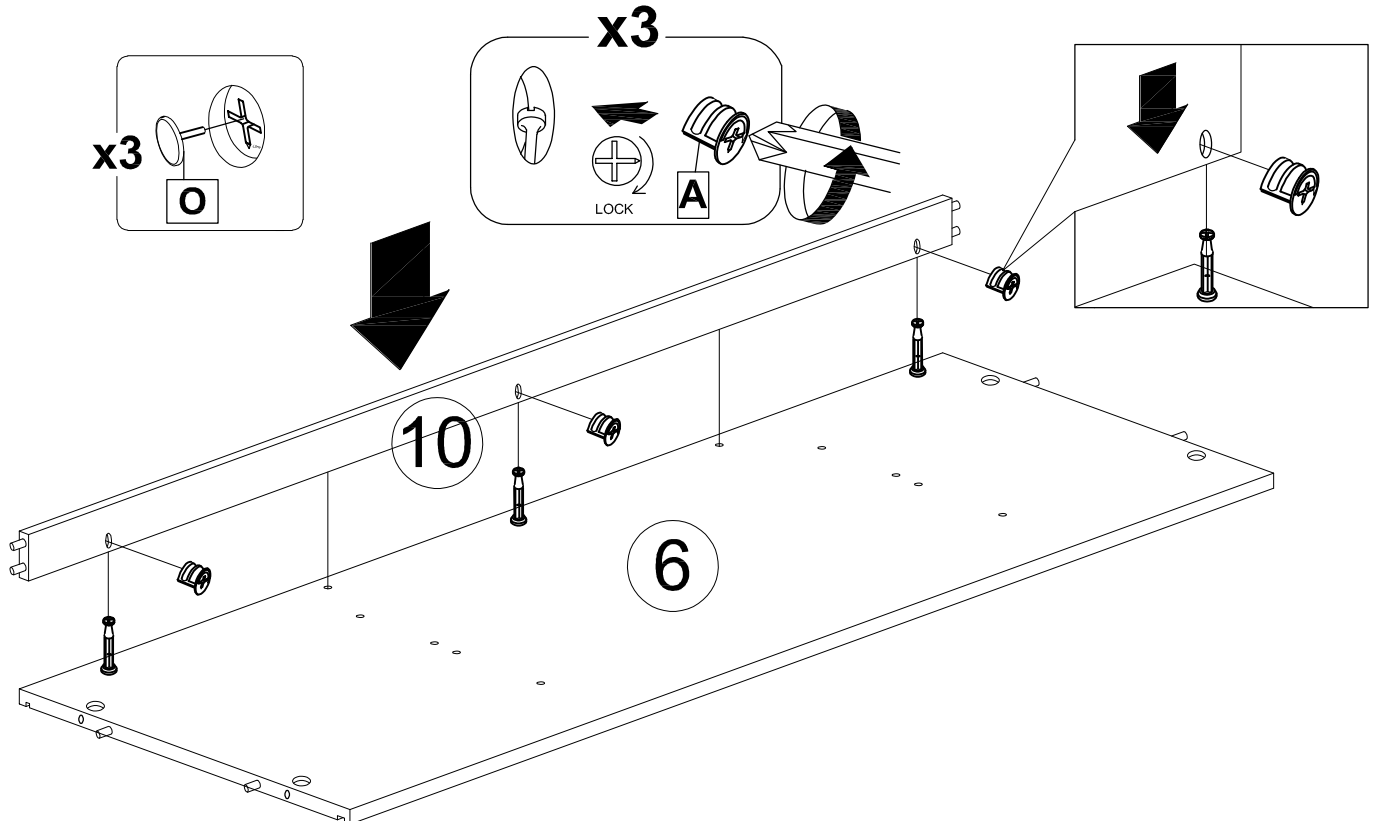
STEP 17

| | | | |
|---|---|--------------|---|
| A |  | CAM 1633 SV | 4 |
| O |  | PVC CAP 17MM | 4 |






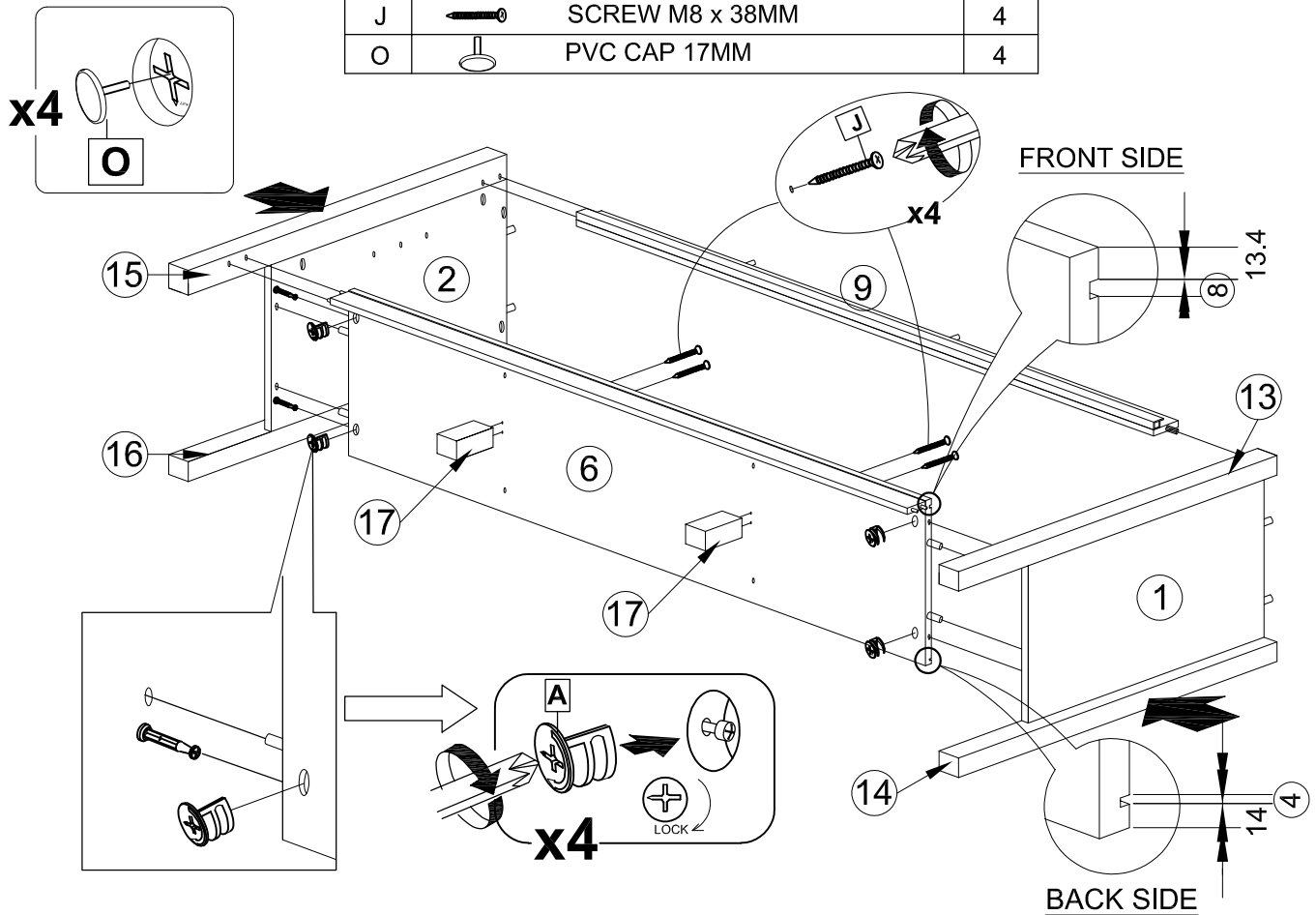
STEP 18

| | | | |
|---|---|--------------|---|
| A |  | CAM 1633 SV | 3 |
| O |  | PVC CAP 17MM | 3 |





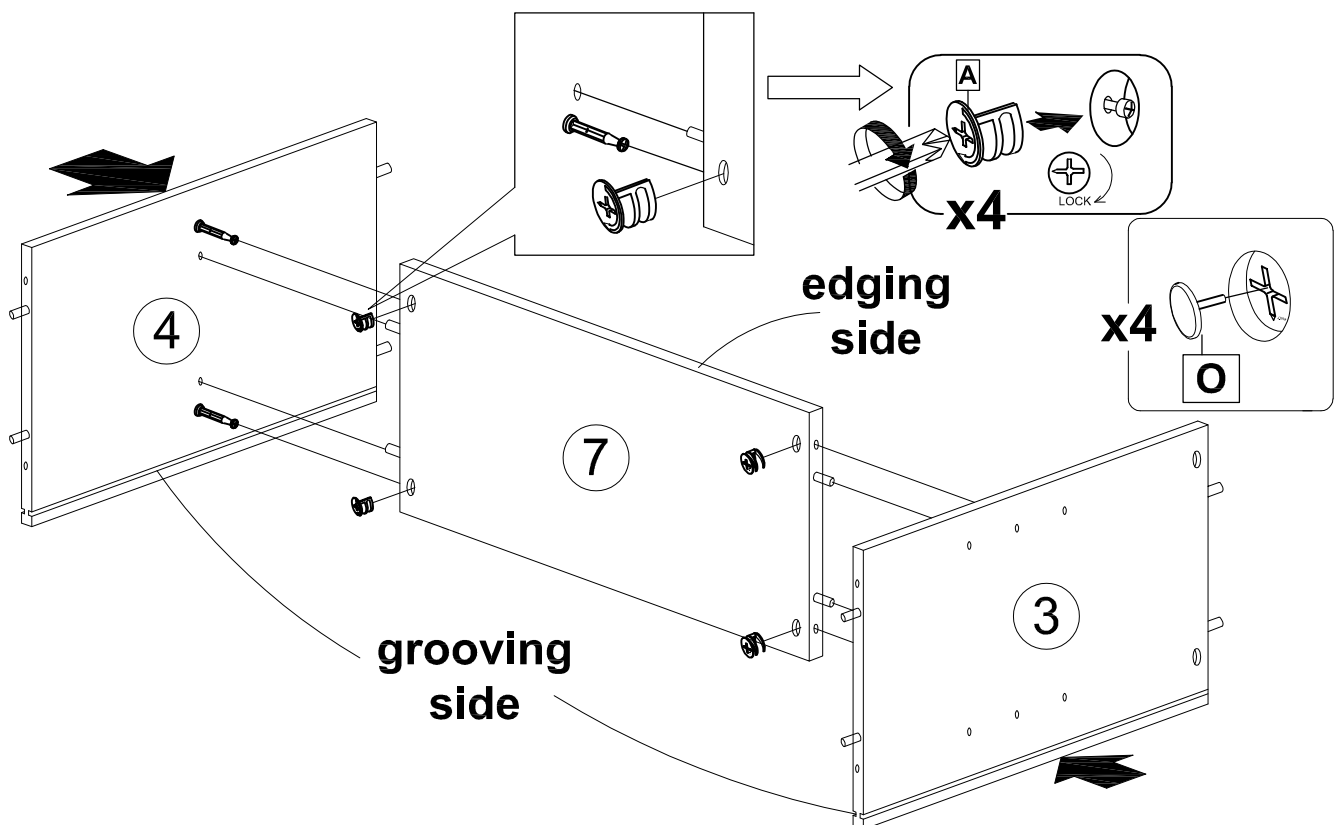
STEP 19

| | | | |
|---|---|-----------------|---|
| A |  | CAM 1633 SV | 4 |
| J |  | SCREW M8 x 38MM | 4 |
| O |  | PVC CAP 17MM | 4 |

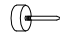



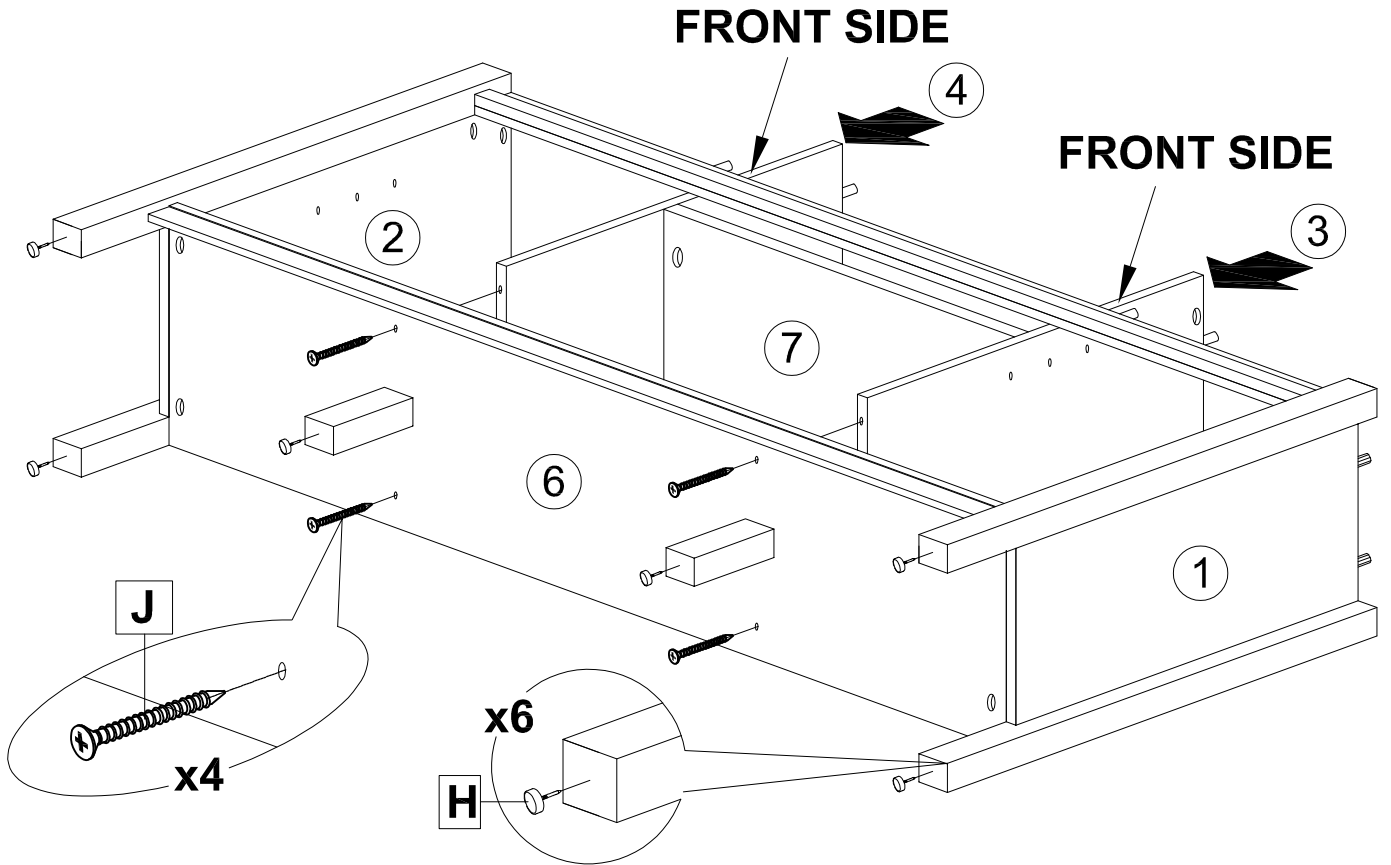
STEP 20

| | | | |
|---|---|--------------|---|
| A |  | CAM 1633 SV | 4 |
| O |  | PVC CAP 17MM | 4 |



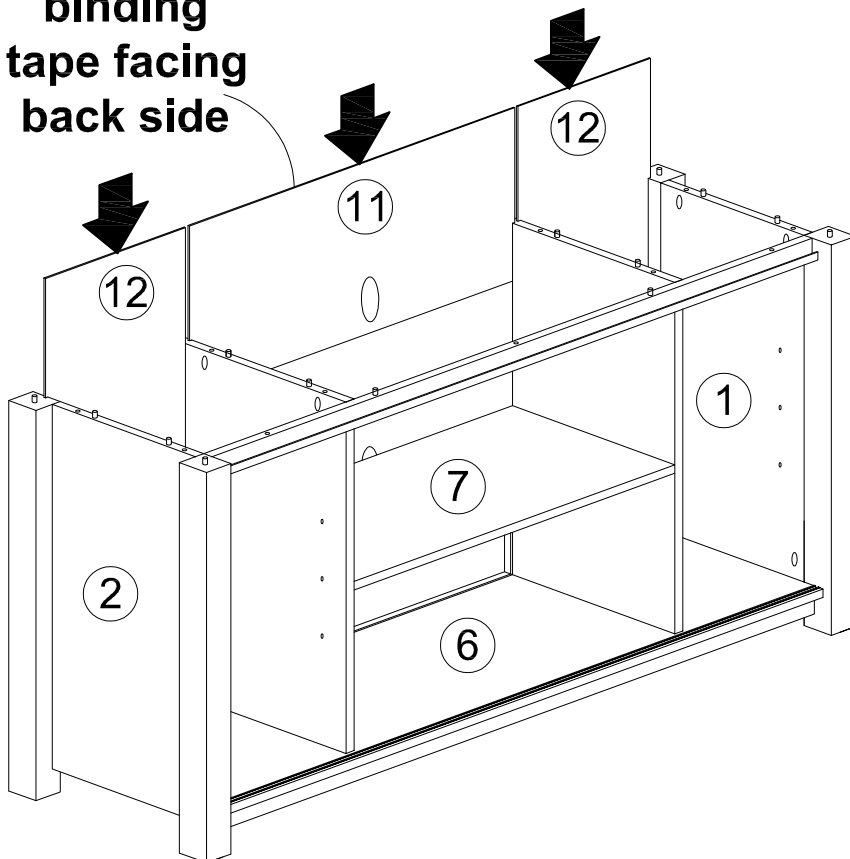
STEP 21

| | | | |
|---|---|-----------------|---|
| H |  | LEG COVER | 6 |
| J |  | SCREW M8 x 38MM | 4 |

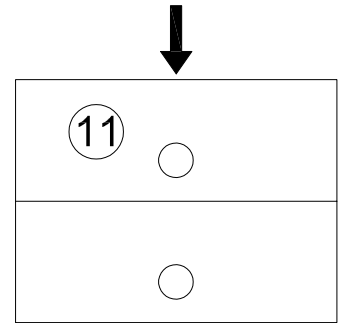


STEP 22



**binding
tape facing
back side**

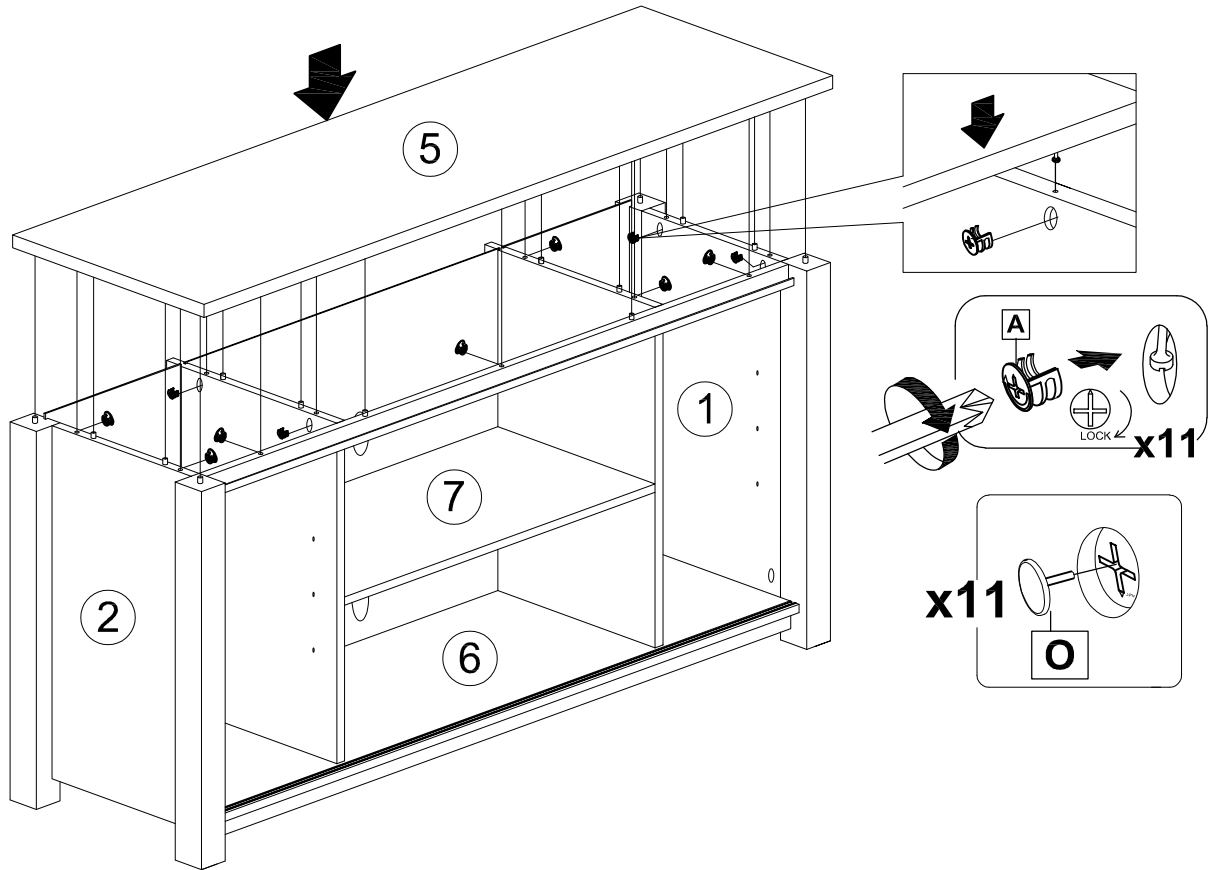


**position panel (11)
before slide in**

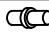


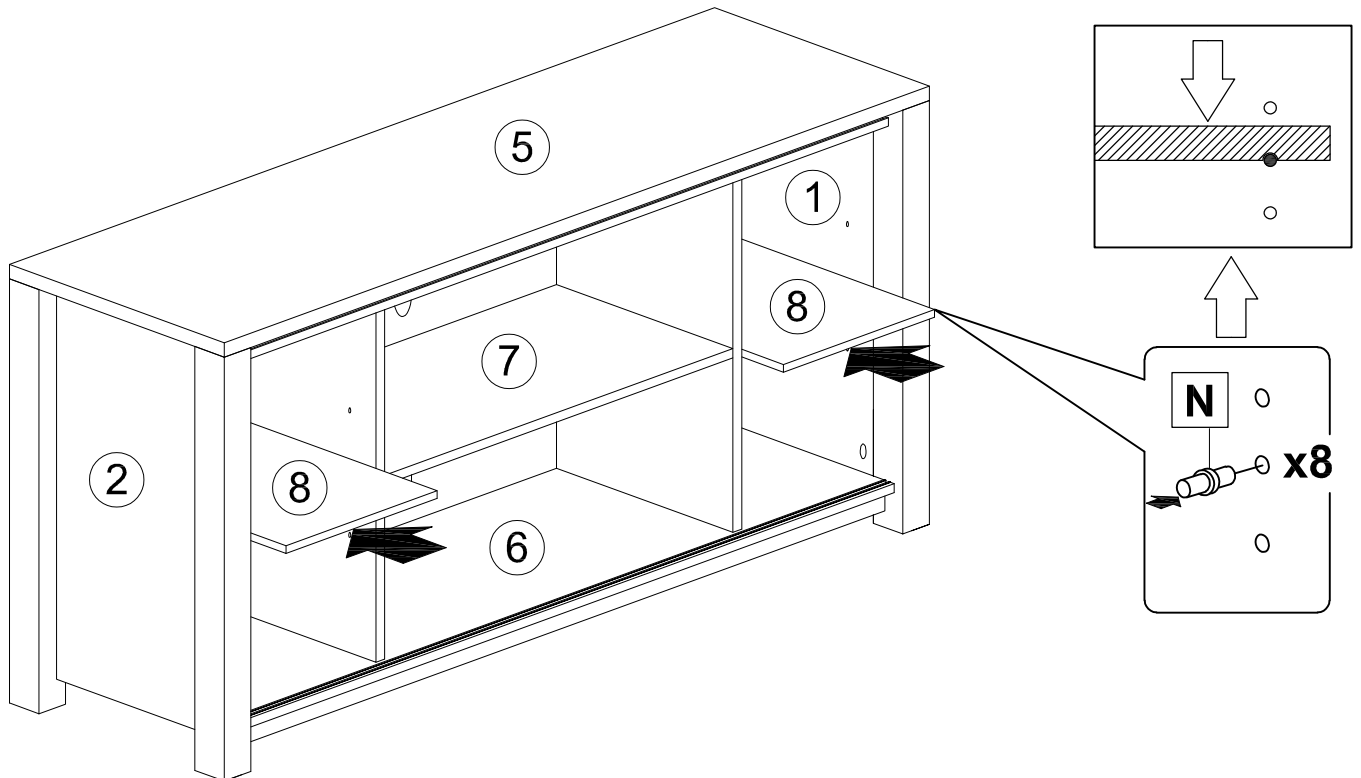
STEP 23

| | | | |
|---|---|--------------|----|
| A |  | CAM 1633 SV | 11 |
| O |  | PVC CAP 17MM | 11 |

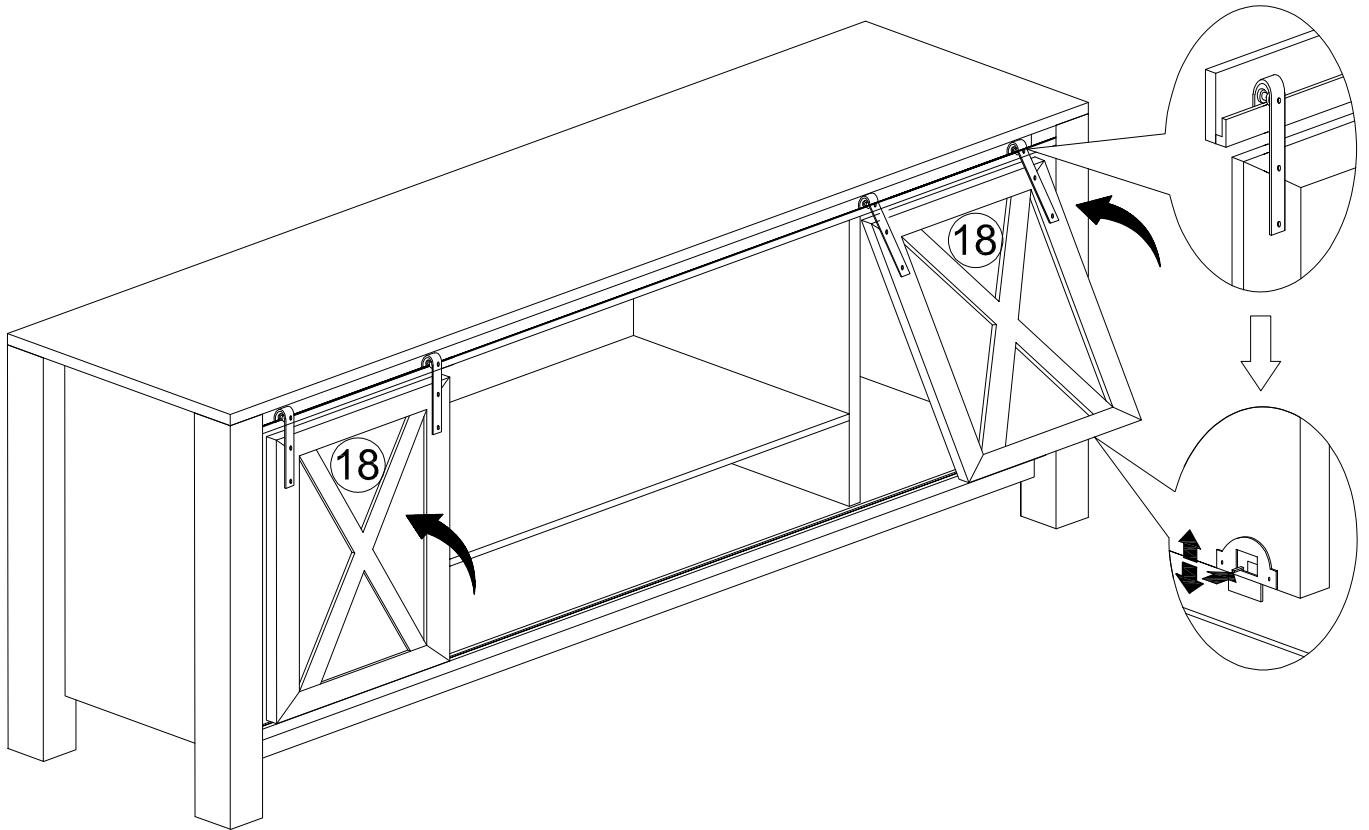


STEP 24



| | | | |
|---|---|------------|---|
| N |  | SHELF STUB | 8 |
|---|---|------------|---|

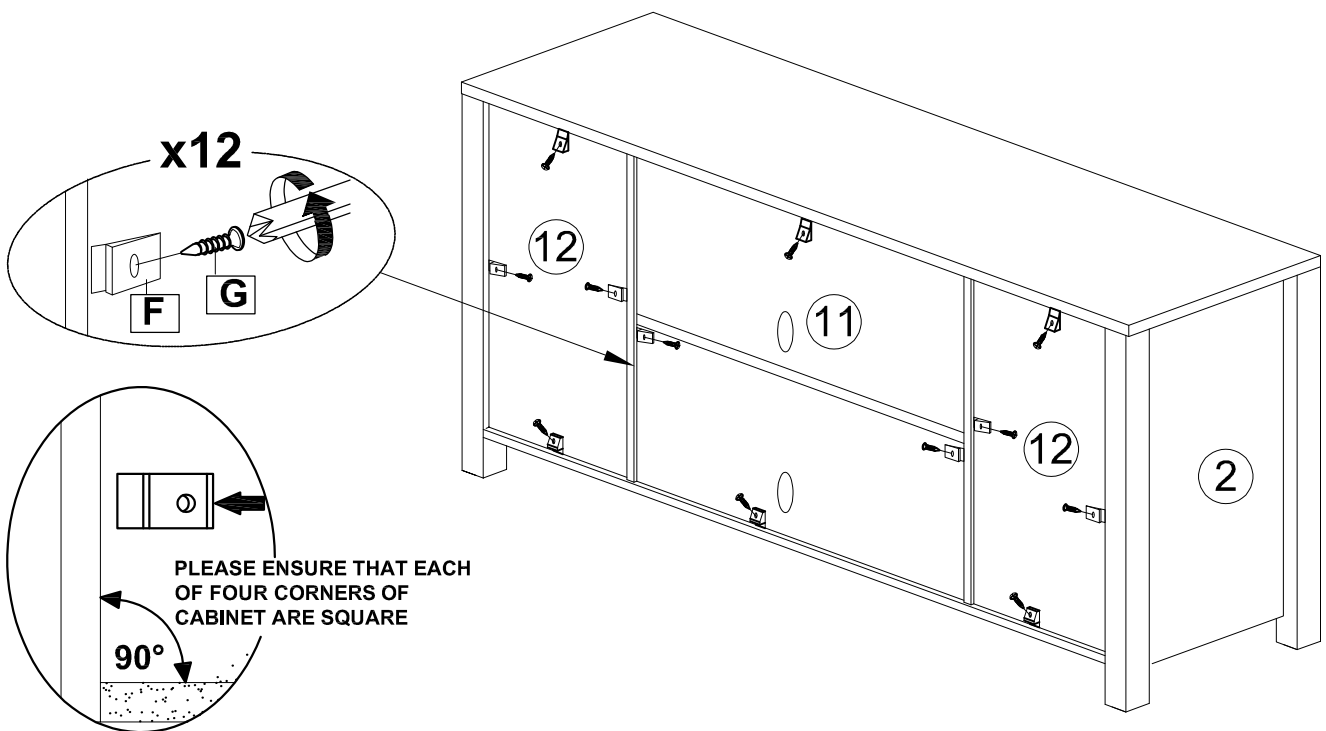


STEP 25

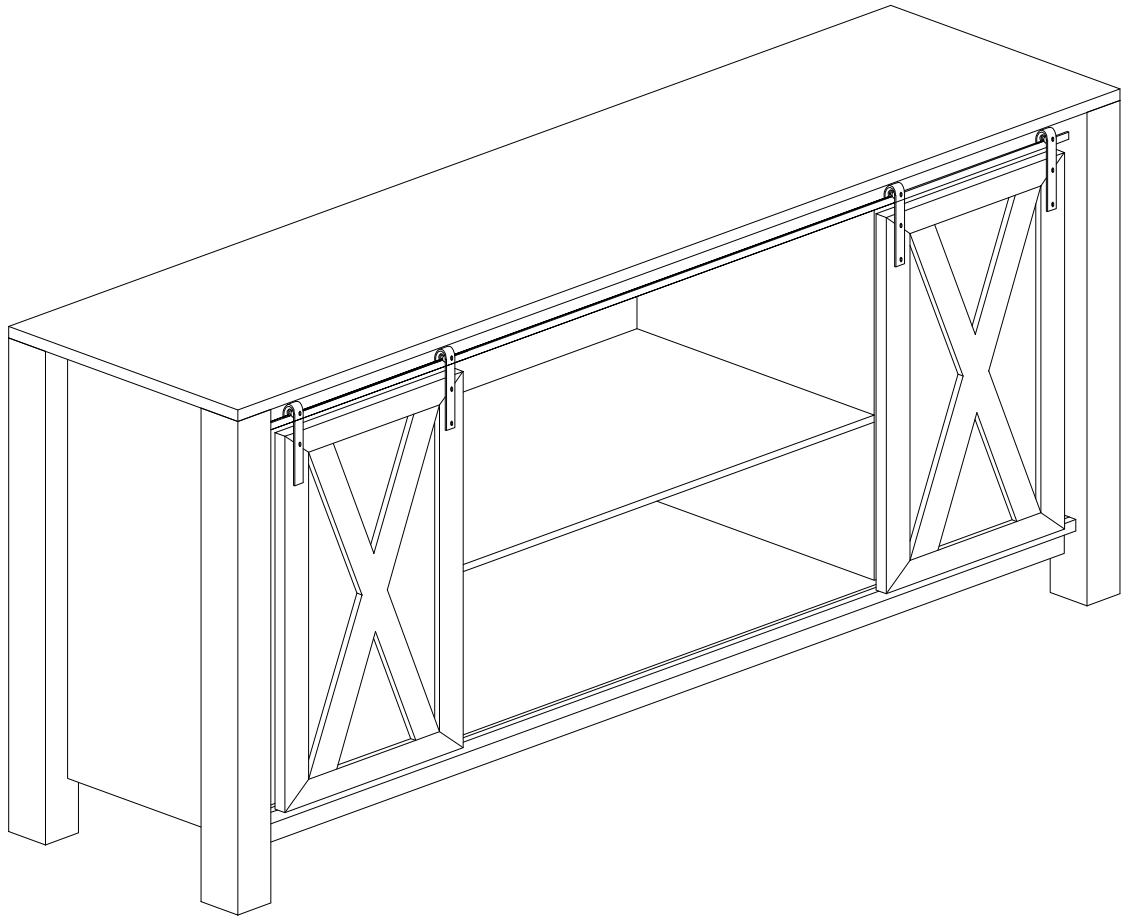


STEP 26

| | | | |
|---|---|-----------------|----|
| F |  | BACKPLY STOPPER | 12 |
| G |  | SCREW M3 x 20MM | 12 |

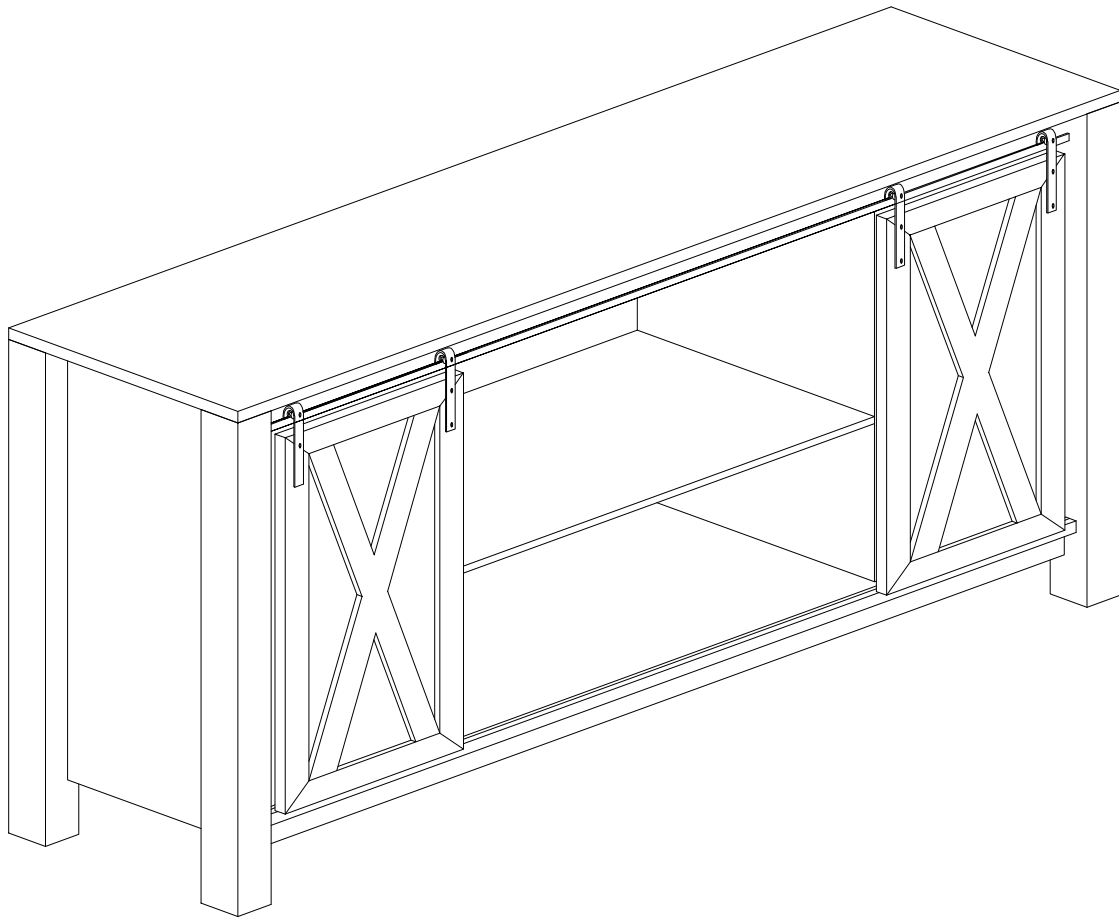


COMPLETED



MAINTENANCE AND CARE GUIDE

CLOVER SHADOW OAK BLACK/GLASS MEDIA UNIT



Maintenance:

- To clean and care for your furniture.
- Use a soft, clean cloth that **will** not scratch the surface when dusting.
- Use of furniture polishes is not necessary. Should you choose to use polishes, test first in an inconspicuous area.
- Using solvents of any kind on your furniture may damage the finish.
- Never use water to clean your furniture as it may cause damage to the finish.
- Always use coasters under beverage glasses and flowerpots.
- Liquid spills should be removed immediately. Using a soft clean cloth, blot the spill gently. Avoid rubbing.
- Always use protective pads under hot dishes and plates. Heat can cause chemical changes that may create spotting within the furniture finish.
- Stains or marks from crayons or ink markers **will** be difficult to remove.
- In the event that your furniture is stained or otherwise damaged during use, we recommend that you call a professional to repair your furniture.
- Check bolts/screws periodically and tighten them if necessary.

Care and cleaning:

- It is best to keep your furniture in a climate-controlled environment. Extreme temperature and humidity changes can cause fading, warping, shrinking and splitting of wood. It is advised to keep furniture away from direct sunlight as sun may damage the finish.
- Proper care and cleaning at home **will** extend the **life** of your purchase. Following these important and helpful tips **will** enhance your furniture as it ages.