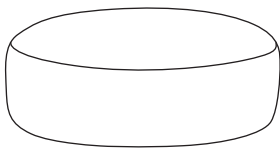
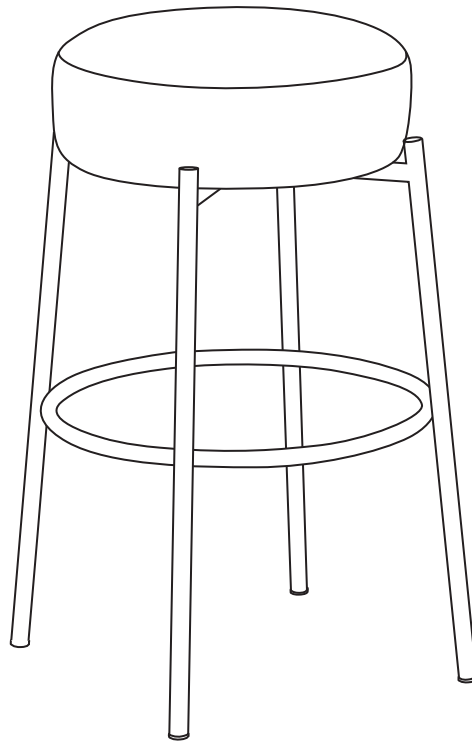


LPD HOME

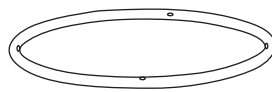
ASSEMBLY INSTRUCTION ANAIS COUNTER STOOL

Please read before you continue further.

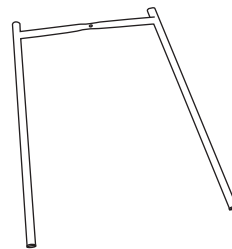
PLEASE KEEP THE ORIGINAL PACKAGING UNTIL THE ITEM IS FULLY ASSEMBLED AND IN PLACE. IN THE UNLIKELY EVENT THAT YOU NEED TO RETURN YOUR PRODUCT, IT MUST BE RETURNED IN ITS ORIGINAL PACKAGING TO AVOID FURTHER DAMAGE. FAILURE TO FOLLOW THESE PROCEDURES, NO RETURNS WILL BE ACCEPTED.



A x 1



B x 1



C x 2



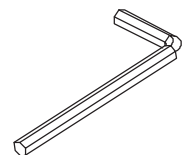
M6X30mm

D x 4



M6X45mm

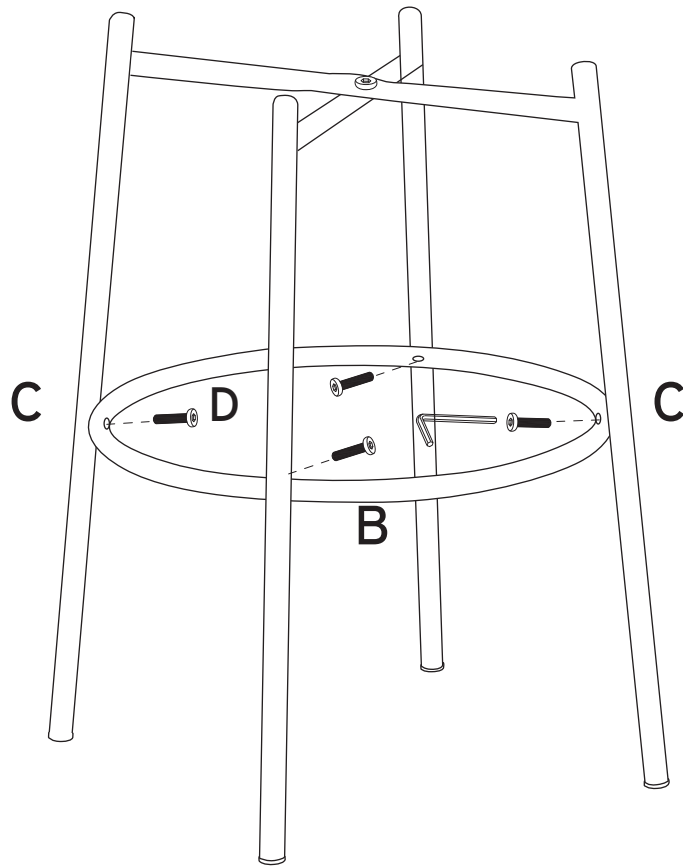
E x 5



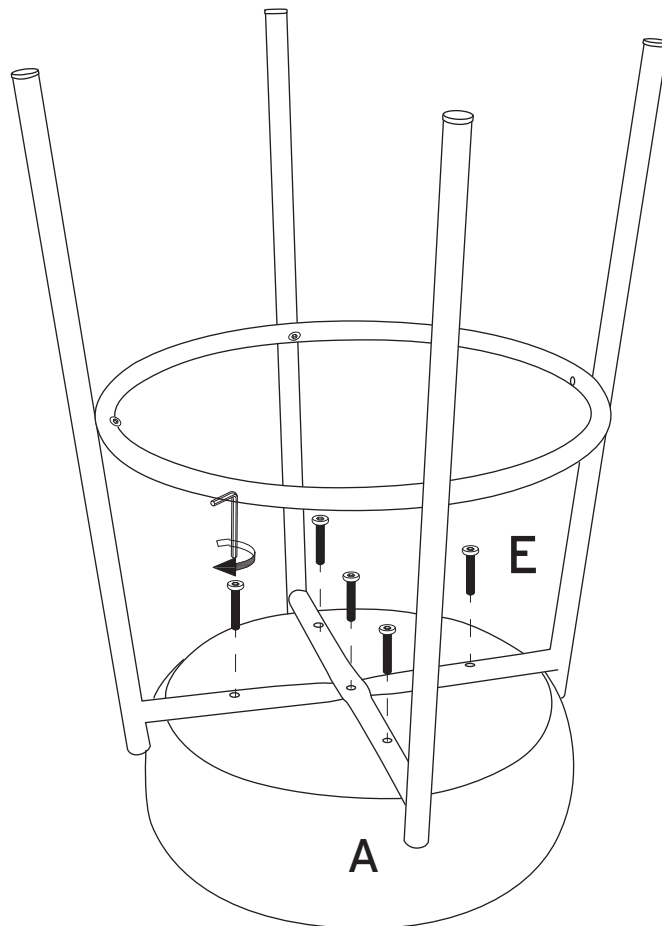
F x 1

1

Do not tighten screws completely until the assembly is fully completed.

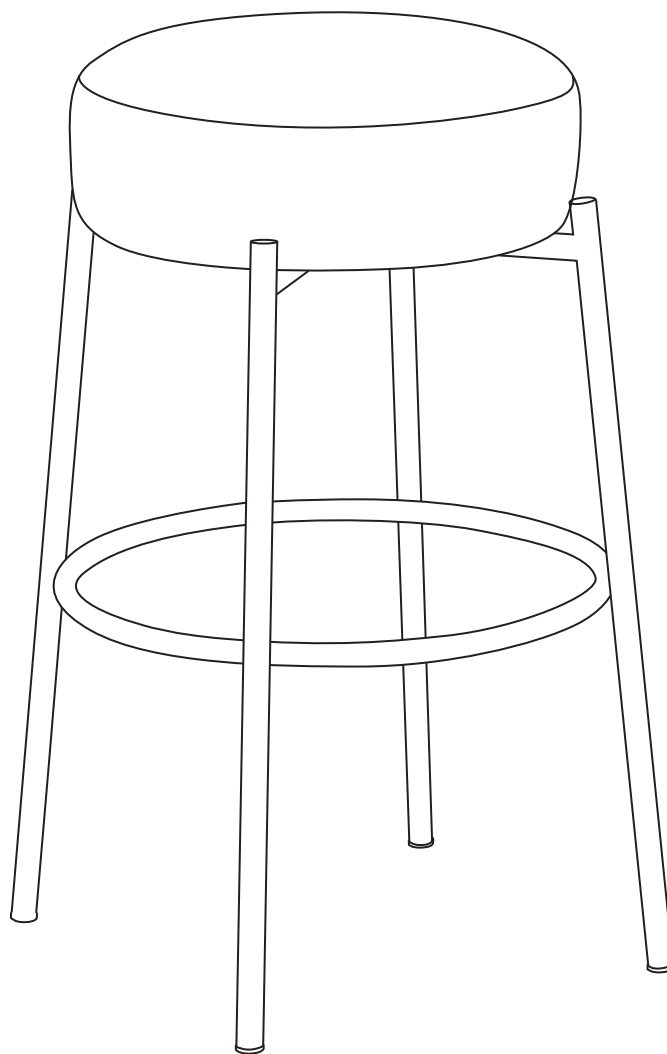


2



MAINTENANCE AND CARE GUIDE

ANAIS COUNTER STOOL



General care:

- Over time, the fabric can become crushed and change in appearance slightly, however, there are some simple measures you can take to preserve its softness and alluring appeal.
- For items of furniture that are facing heavy use, it's advisable to gently vacuum the fabric with an upholstery attachment at least once a week. Alternatively, you can also use a soft bristled brush or clothes brush. Always blot spills immediately with a clean cloth by dabbing the area gently.
- Some fabrics are prone to marking, so be mindful not to leave anything heavy resting on your furniture for too long as this can cause marks and dents.