











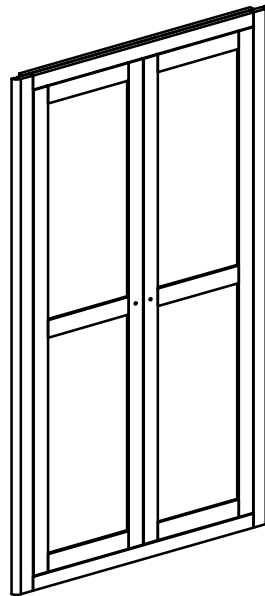


# ASSEMBLY INSTRUCTION DOUBLE ROBE WITH 1 DRAWER

No	LIST OF HARDWARE	Q.ty (pcs)
①	Bolts M6x30 	10
②	Spring Washers 	10
③	Flat Washers 	10
④	Allen key K4 	1
⑤	Screw Ø4 x 30 	10
⑥	Screw Ø4 x 40 	16
⑦	Wooden Dowel Ø8x30 	1
⑧	Handle with bolts 	2 Sets
⑨	Plastic bracket 	2
⑩	Tie 	1
⑪	Screw Ø4x20 	6

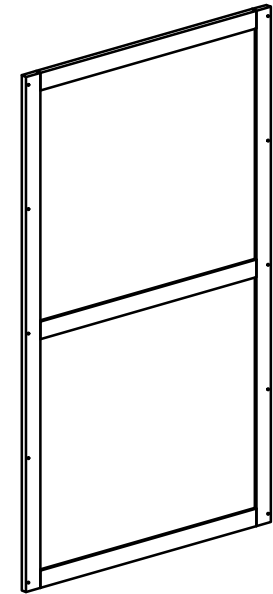
Screwdriver (not included) 



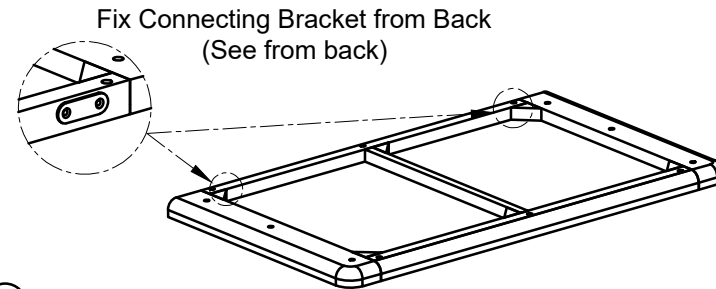
Ⓐ x1: Front Frame



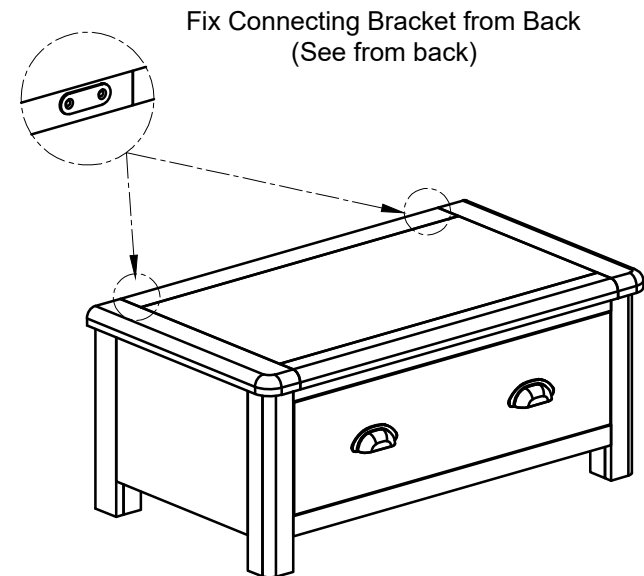
Ⓑ x2: Side Frame (Left -Right)



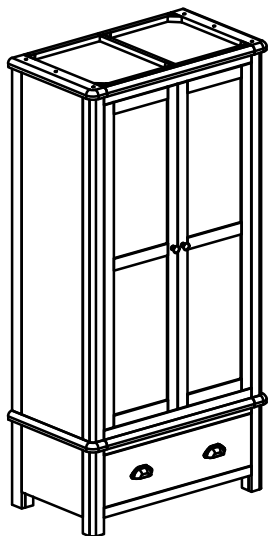
Ⓒ x1: Back Frame



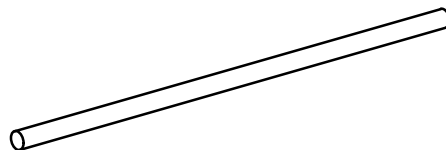
Ⓓ x1: Top Frame



Ⓕ x1: Base cabinet

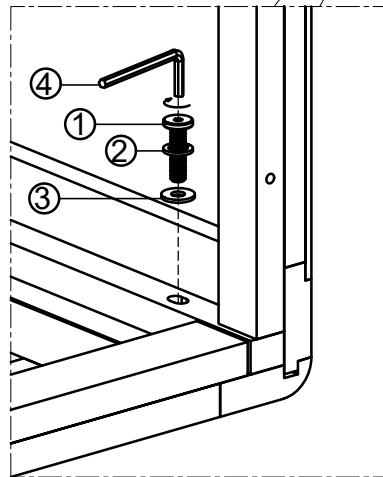
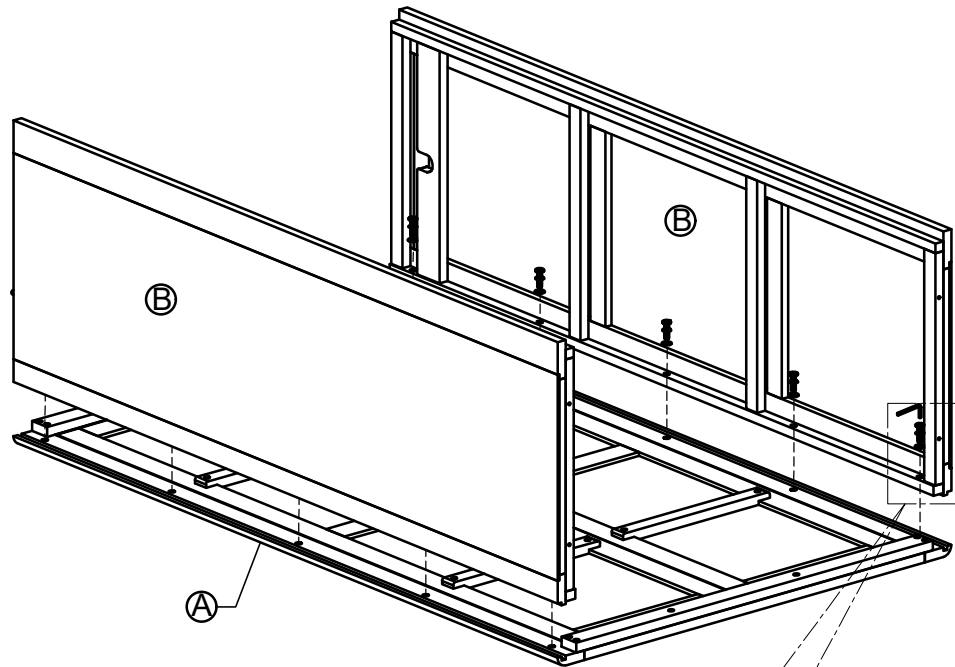


Ⓔ x1: Hanging

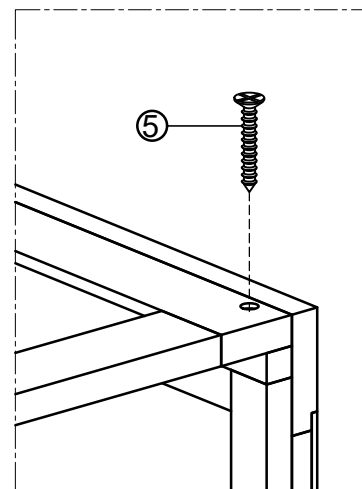
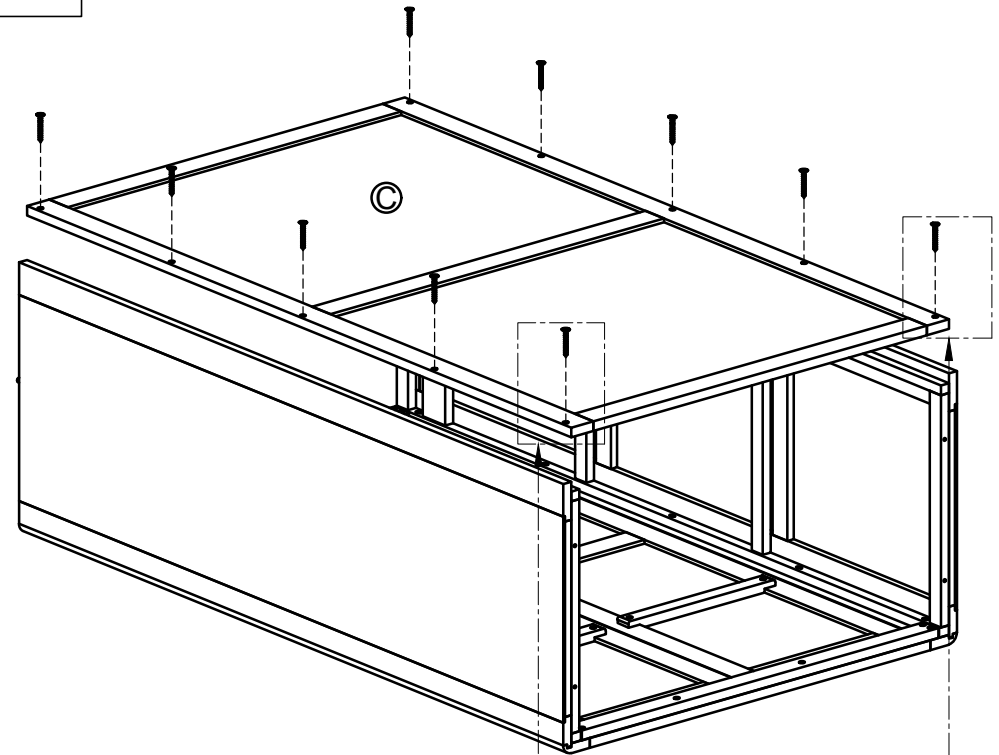


# ASSEMBLY INSTRUCTION DOUBLE ROBE WITH 1 DRAWER

## STEP 1

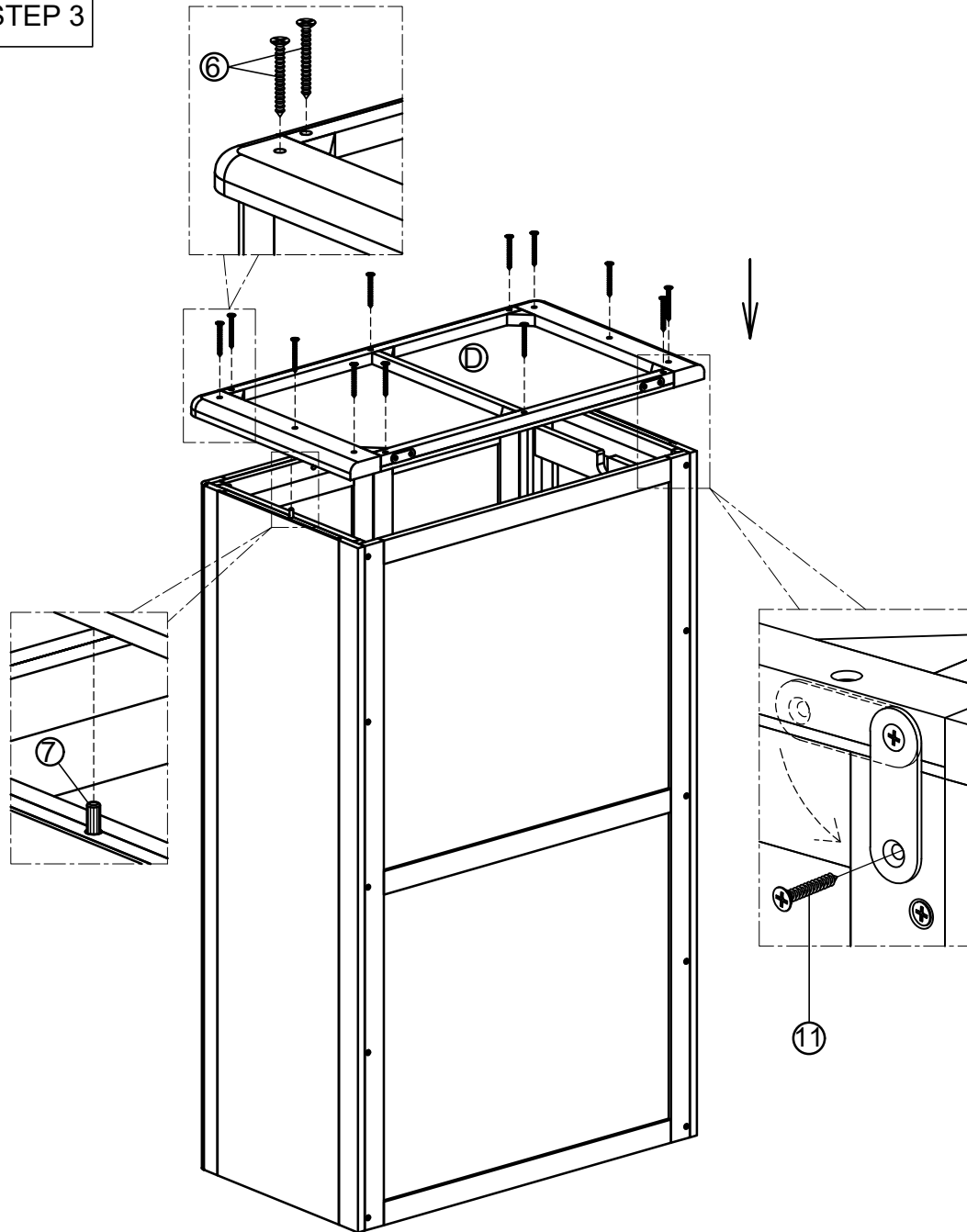


## STEP 2

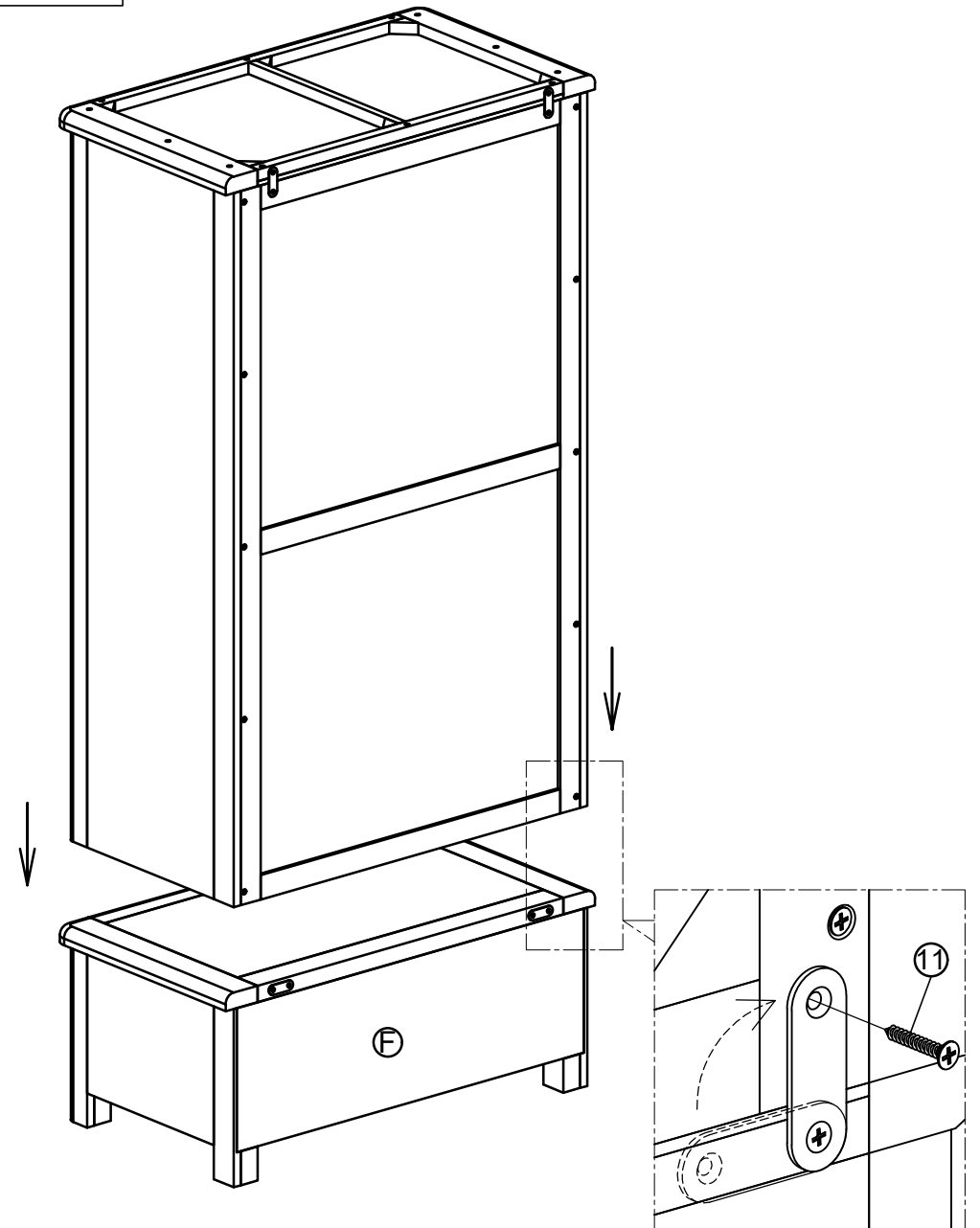


# ASSEMBLY INSTRUCTION DOUBLE ROBE WITH 1 DRAWER

## STEP 3

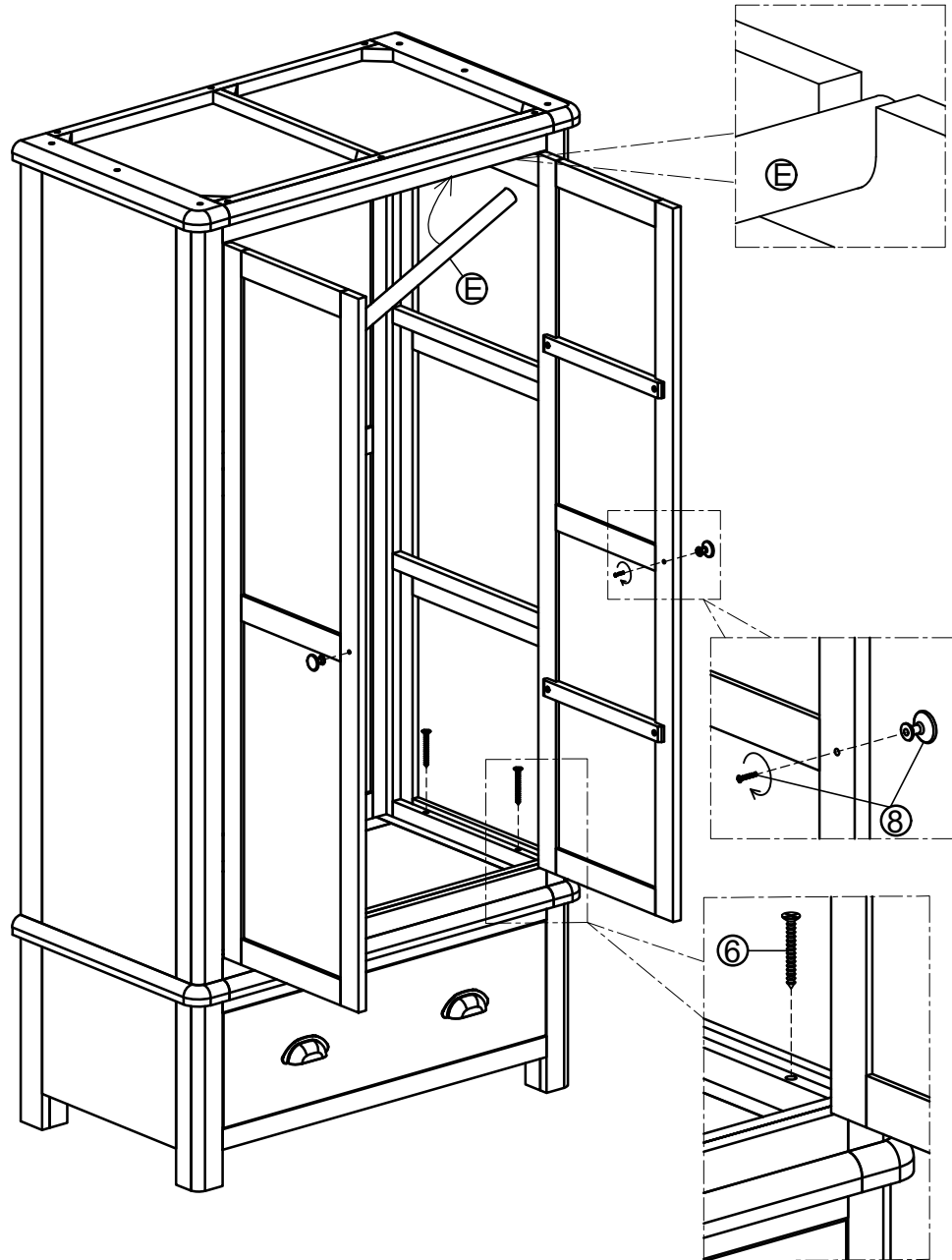


## STEP 4

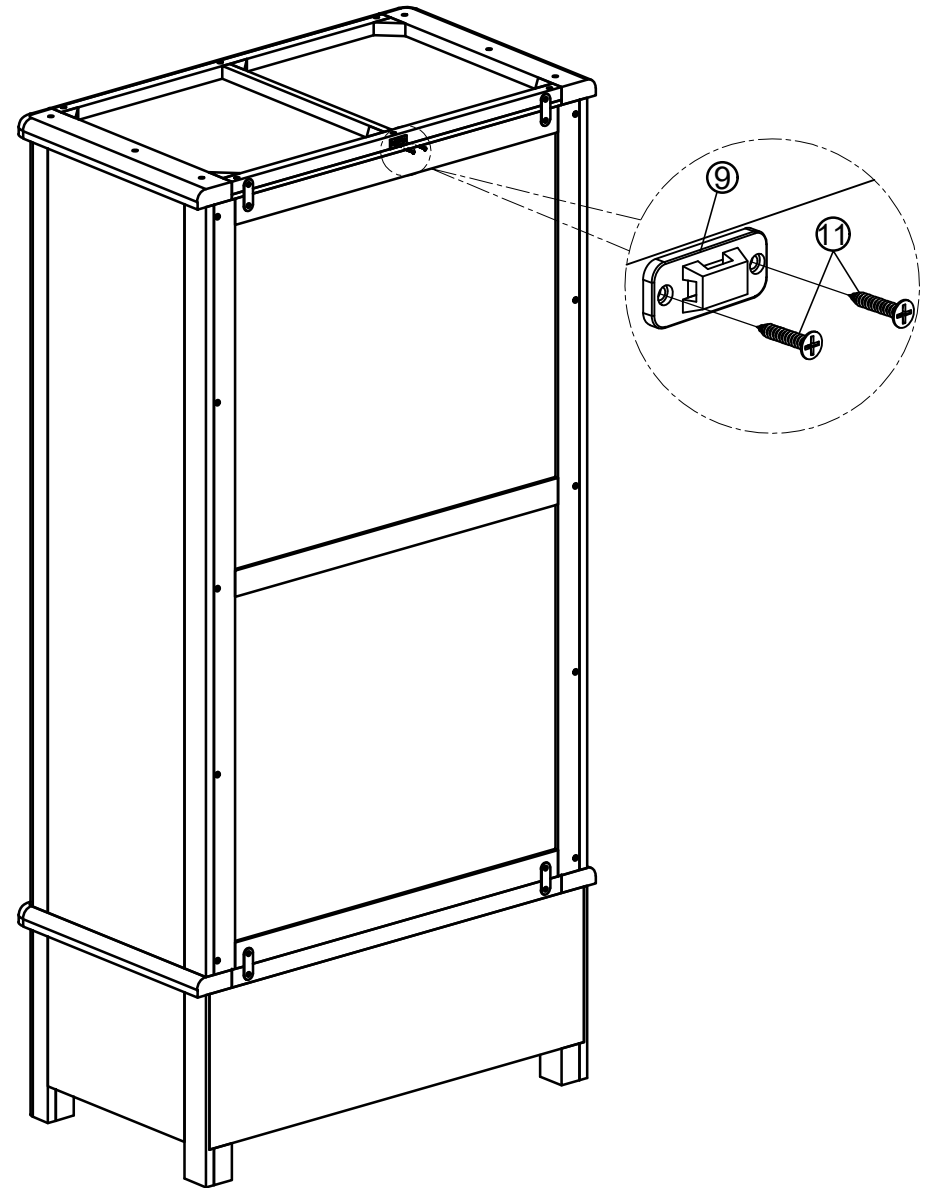


# ASSEMBLY INSTRUCTION DOUBLE ROBE WITH 1 DRAWER

## STEP 5

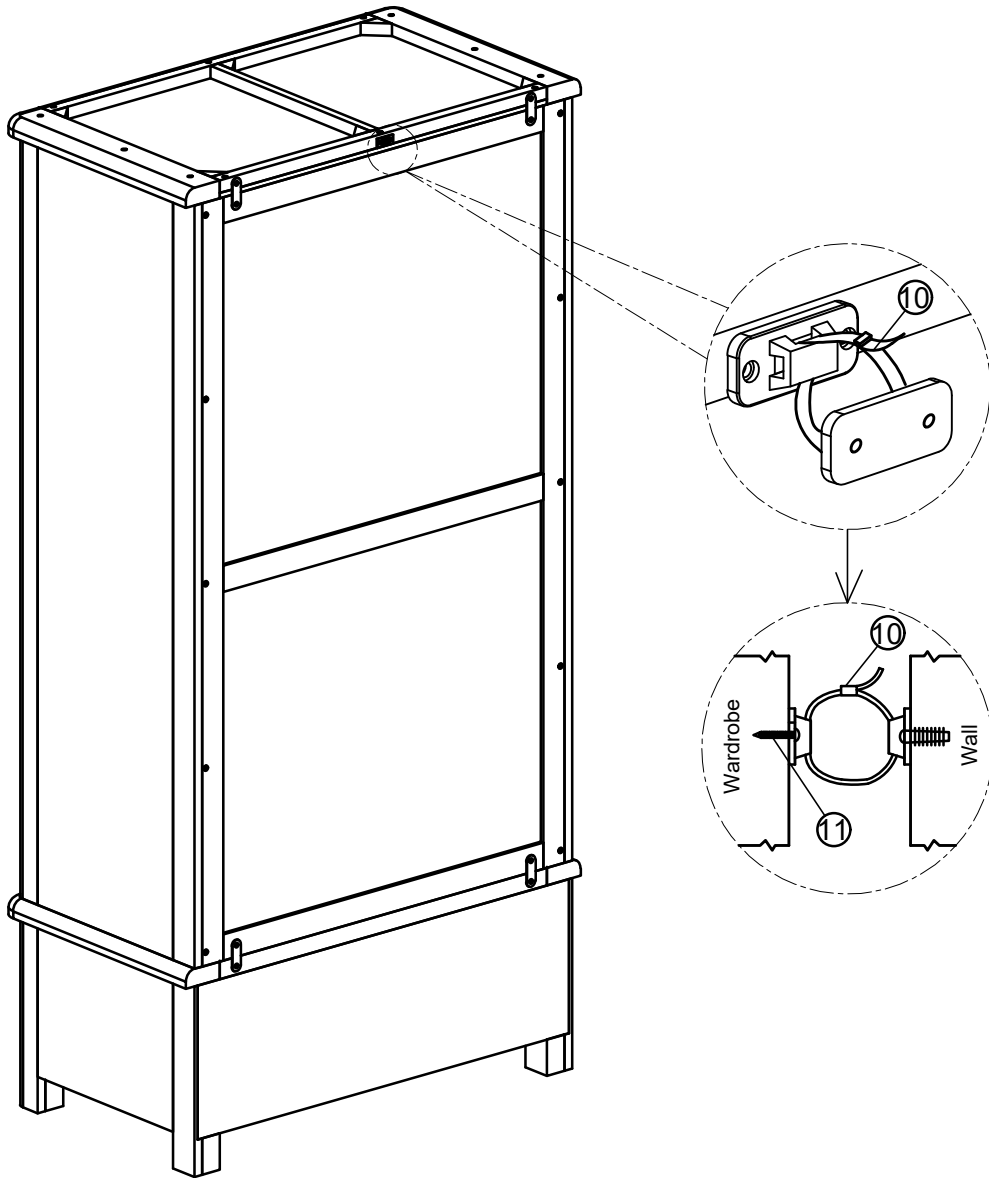


## STEP 6



# ASSEMBLY INSTRUCTION DOUBLE ROBE WITH 1 DRAWER

STEP 7



FINAL

