

# ASSEMBLY INSTRUCTIONS

# Lamp Table

Approximate Assembly Time

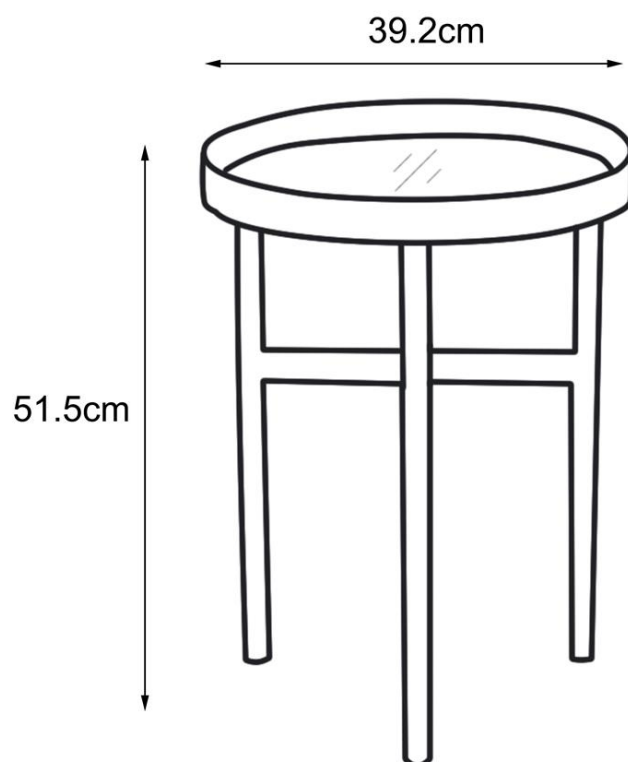


People Required to Assemble



Tools Required

NO EXTRA TOOLS  
REQUIRED



## Before you start...

Please carefully unpack and lay out all of the component parts to ensure nothing is missing and to check each component for any obvious damage.

Should you identify any concerns at this stage please contact the retailer from whom this product was purchased. Please quote your order number, details of your issue, the product code, and the batch number from the cartons which will help to resolve your issue as quickly as possible.

Version Number-1.0

Product Code - FRA002

## Care Instruction

**Please take the time to carefully read through the whole of these instructions before you commence.**

Keep these instructions for future reference.

Unpack,inspect and check off all of the contents.

Please dispose of all packaging safely.

Small component parts could choke a child if swallowed.

We strongly recommend that you keep children well away from the work area.

It would be sensible to lay a sheet or blanket on the floor where you intend to work to avoid scratching this product and to protect your floor.

This product is heavy.Take extreme care when lifting to avoid personal injury or damage to the product.

## **GENERAL CARE & MAINTENANCE**

We advise that when cleaning the product that a damp cloth is used.

Avoid the use of all household cleaners and abrasive.

Never push or drag the furniture.

Never attempt to move the furniture when fully loaded.

We advise that periodically all fixings are re-tightened.

**PLEASE KEEP THESE INSTRUCTIONS FOR  
FUTURE REFERENCE**

If the glass is chipped or broken, stop using the product and consult the supplier.

**Glass Warning!**

Do Not place this glass item in the close vicinity of a heat source i.e. Radiator, Heater, Fire.

Do Not place very hot or cold items directly onto the glass surface, it is advised a suitable mat should be used.

Do Not sit or stand on the glass surface.

Do Not use the glass surface as a chopping board.

Do Not strike the glass with hard or pointed items.

Do Not use laptops directly on the surface of the glass.

Ensure a suitable protective mat is used.