

ASSEMBLY INSTRUCTIONS

TRIPLE SLEEPER BUNK

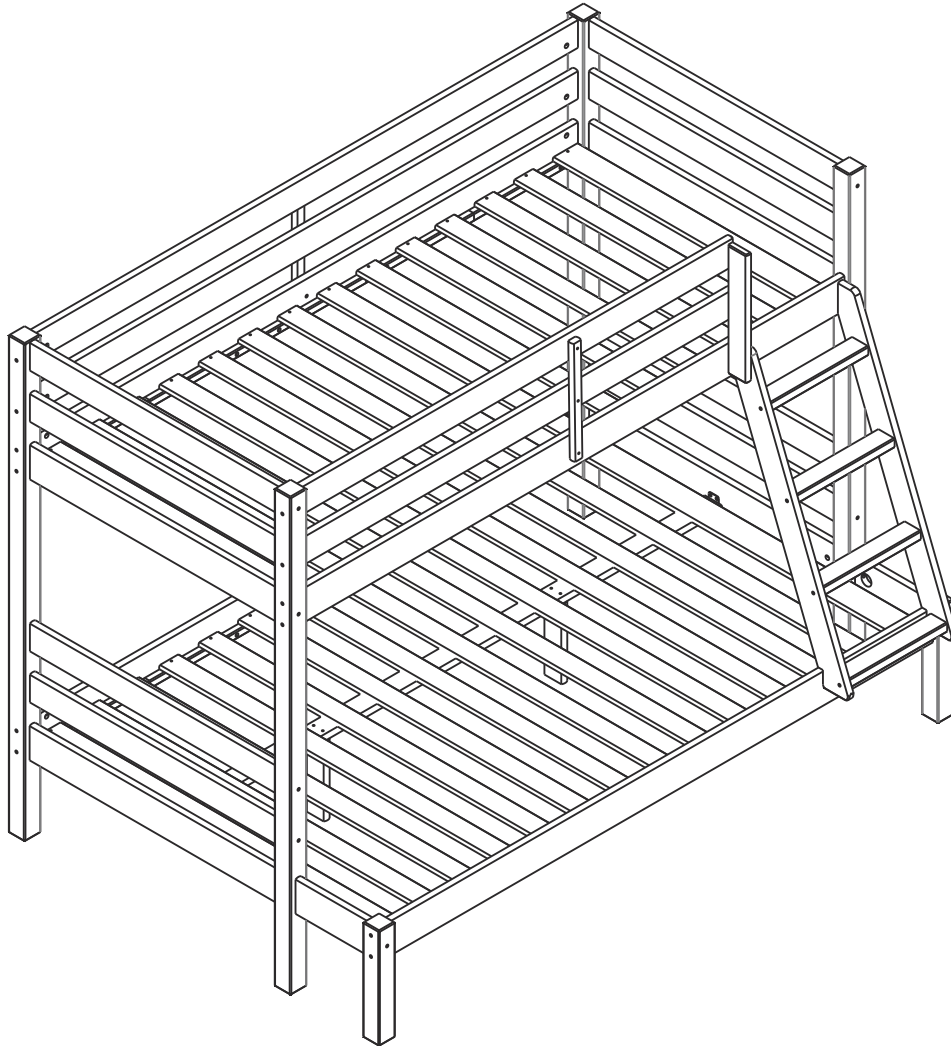
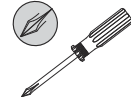
Approximate Assembly Time



People Required to Assemble



Tools Required



IMPORTANT - READ CAREFULLY - RETAIN FUTURE REFERENCE

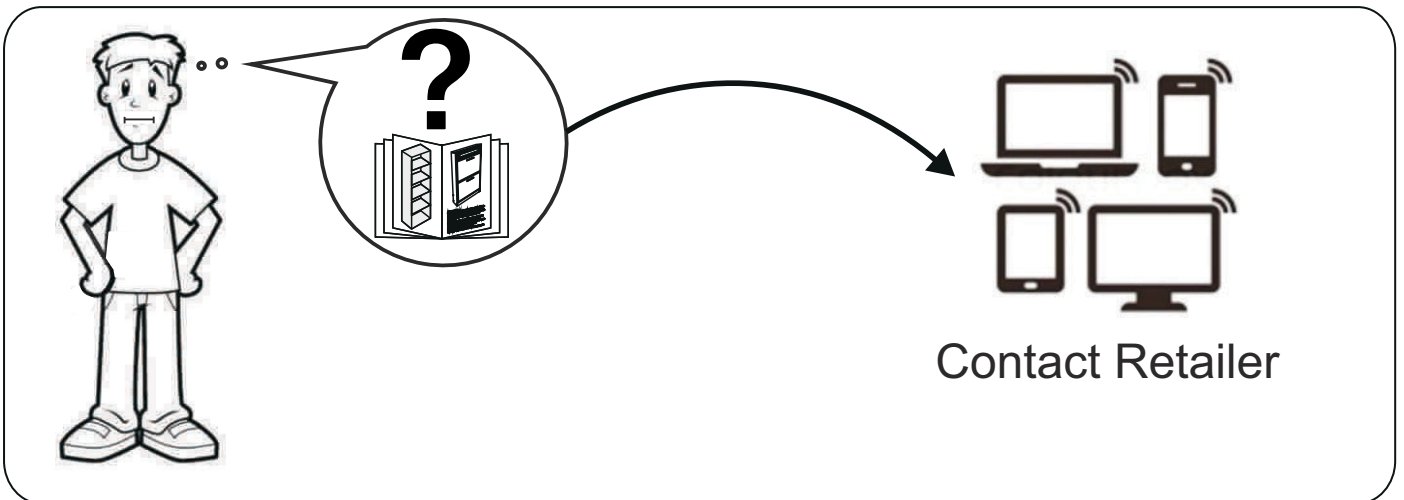
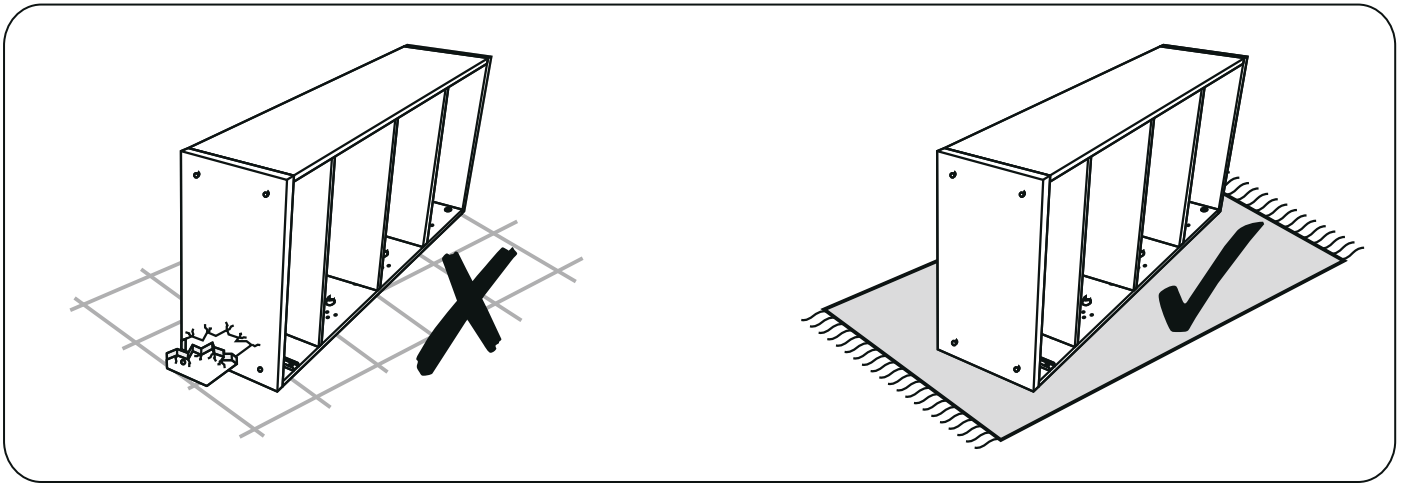
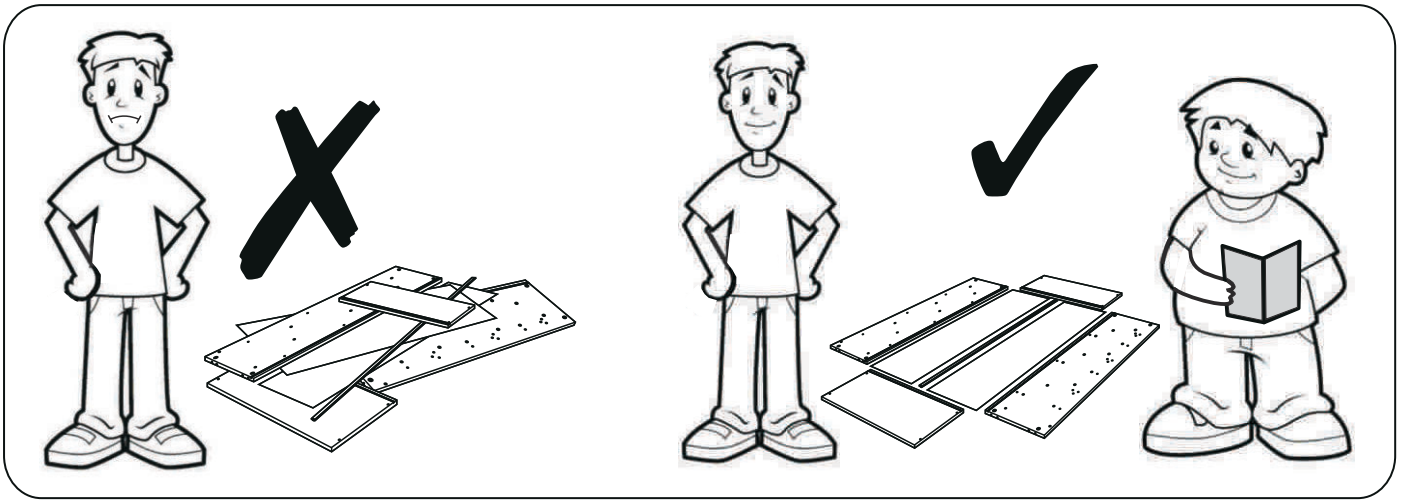
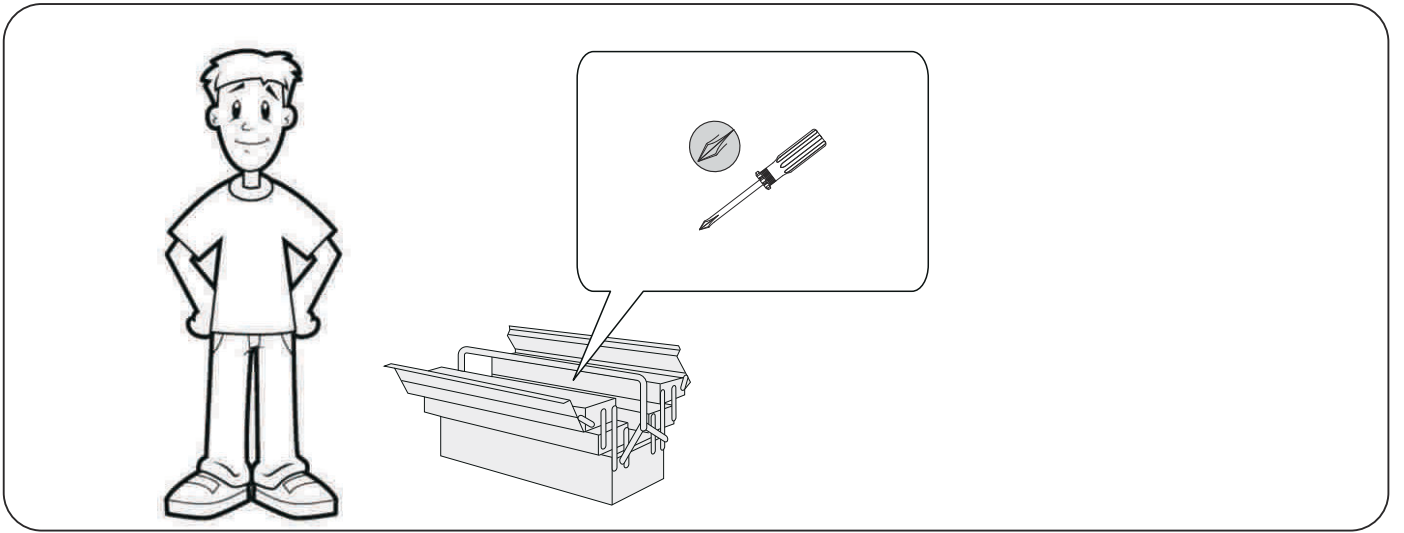
Before you start....

Please carefully unpack and lay out all of the component parts to ensure nothing is missing and to check each component for any obvious damage.

Should you identify any concerns at this stage please contact the retailer from whom this product was purchased. Please quote your order number, details of your issue, the product code, and the batch number from the cartons which will help to resolve your issue as quickly as possible.

Version Number - 1.0

Product Code MER 001 / 002 / 003



Please check all hardware matches the list below. Should you notice any are missing please contact your retailer.



A

Wooden dowel x78
10 x 40mm



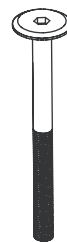
B

1/4 x 110 Bolt x16



C

Nut 1/4 x20



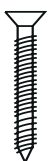
D

7 x 100 Bolt x26



E

7 x 60 Bolt x14



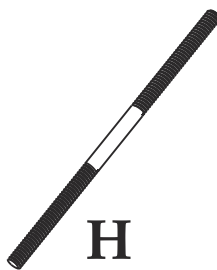
F

4 x 35 Screw x60



G

Allen key x1



H

Headless bolt
1/4 x 155mm x2



I

Nut 1/4 x2



J

Washer 1/4 x2



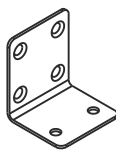
K

Spanner x1



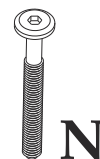
L

3.5 x 16 Screw x12



M

Support 4002 x2



N

1/4 x 60 Bolt x2



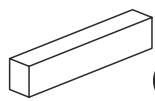
O

3/16 X 13
Cab17 Bolt x2



P

3/16 x1 1/4" Screw x2



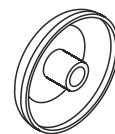
Q

68mm Spacer x2



R

4.5 x 50 Screw x4



S

Caps Ø17mm x52

We strongly advise that you do not use Power Tools, such as drills or electric screwdrivers, during the assembly as this may cause irreparable damage and will invalidate your warranty.



ASSEMBLY ADVISE

Please take the time to carefully read through these instructions before you commence.

Keep these instructions for future reference.

We advise that the product is assembled in the room it is intended for.

We advise that you keep the hardware in a bowl during assembly to avoid losing anything.

We strongly recommend that you keep children away from the work area.

Small component parts could choke a child if swallowed.

We recommend you use a sheet or blanket to protect both floor and product through the assembly stages.

This product is heavy, and we recommend a 2 person lift to avoid personal injury or damage to the product.

Never push or pull the product as this could cause both personal injury or irreparable damage to product or floor.

We have tried to make this piece of furniture easy to assemble if the instructions are followed carefully.

In the unlikely event that you have problems with assembling the product or have missing or damaged parts, please contact your retailer and we assist them in rectifying the problem as quickly as possible.

PLEASE

Remember we strongly urge you DO NOT use power tools such as drill or electric screwdrivers as this could cause irreparable damage to your product and will invalidate your warranty



IMPORTANT INFORMATION

WARNING - High Beds and the upper bed of bunk beds are not suitable for children under six years due to the risk of injury from falls.

WARNING - Bunk beds and high beds can present a serious risk of injury from strangulation if not used correctly. Never attach or hang items to any part of the bunk bed that are not designed to be used with the bed, for example, but not limited to ropes, strings, cords, hooks, belts and bags.

WARNING - Children can become trapped between the bed and the wall, a roof pitch, the ceiling, adjoining pieces of furniture (e.g. cupboards) and the like. To avoid risk of serious injury the distance between the top safety barrier and the adjoining structure shall not exceed 75mm or shall be more than 230mm.

WARNING - Do not use the bunk bed/high bed if any structural part is broken or missing.

It is recommended that you always follow the manufacturer's instructions to assemble this product.

Always follow the manufacturer's recommended mattress size, as per these instructions and the bunk bed / high bed maximum mattress height marking on the item:

MATTRESS:

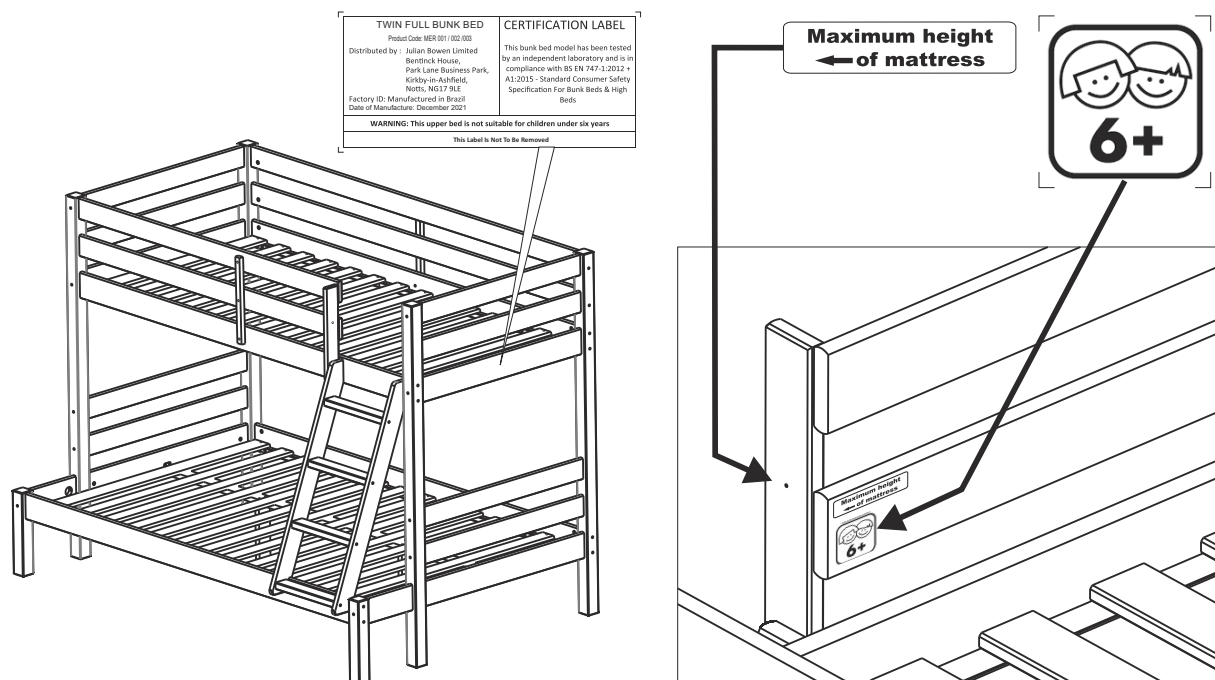
Recommended size of the mattress (es) is 190 x 90cm for upper bed, and for bottom bed is recommended 190 x 120cm. The total thickness should not exceed 20cm. The upper bed mattress should not be higher than the mattress height recommended on the product.

It is necessary to frequently ventilate the room in order to keep the humidity low and to prevent mould in and around the bed.

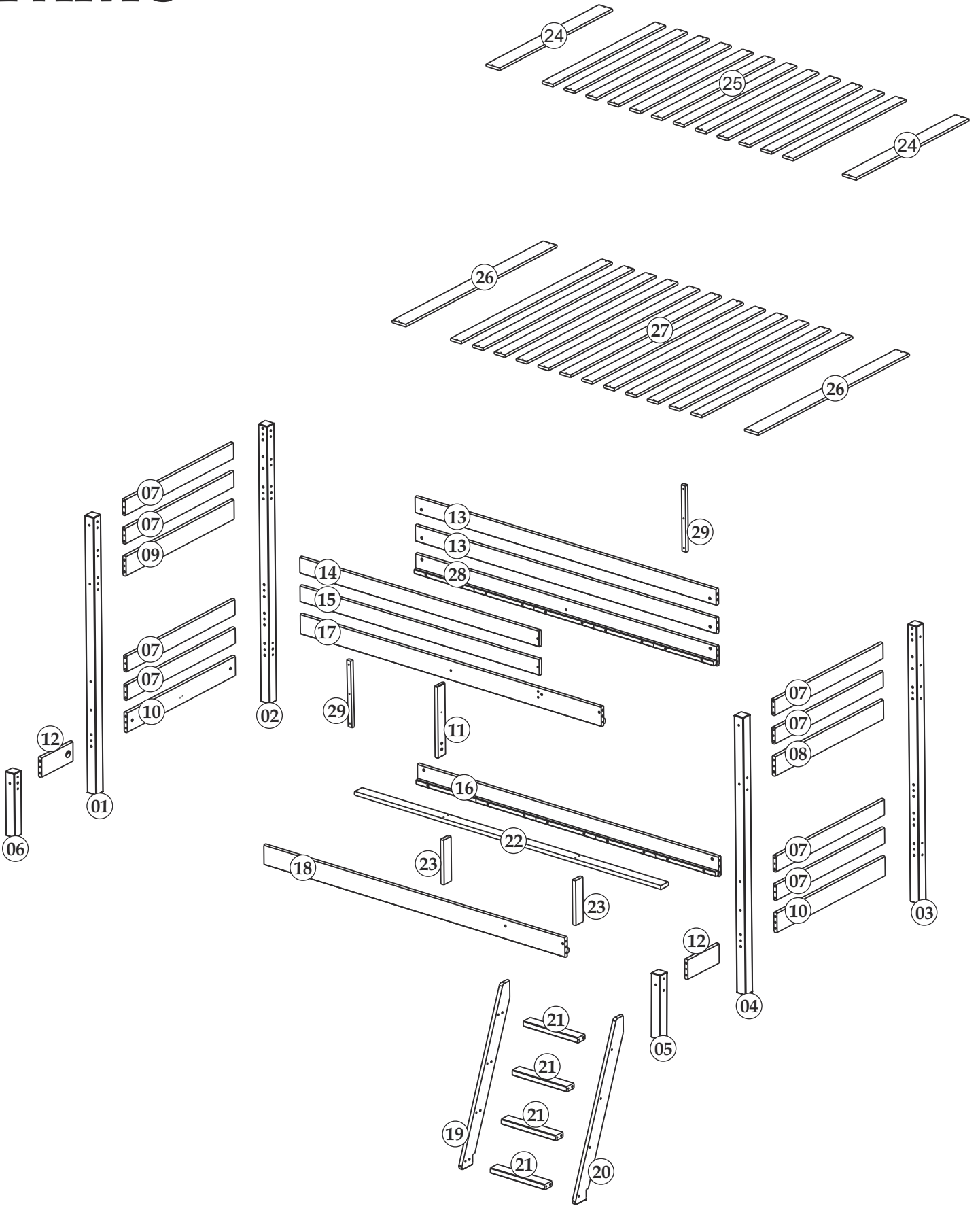
Please periodically check all the fixings of the item and re-tighten when necessary.

This item conforms to European Safety Standards – BS EN 747-1: 2012 + A1:2015.

These labels are not to be removed

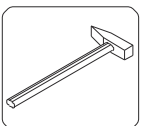
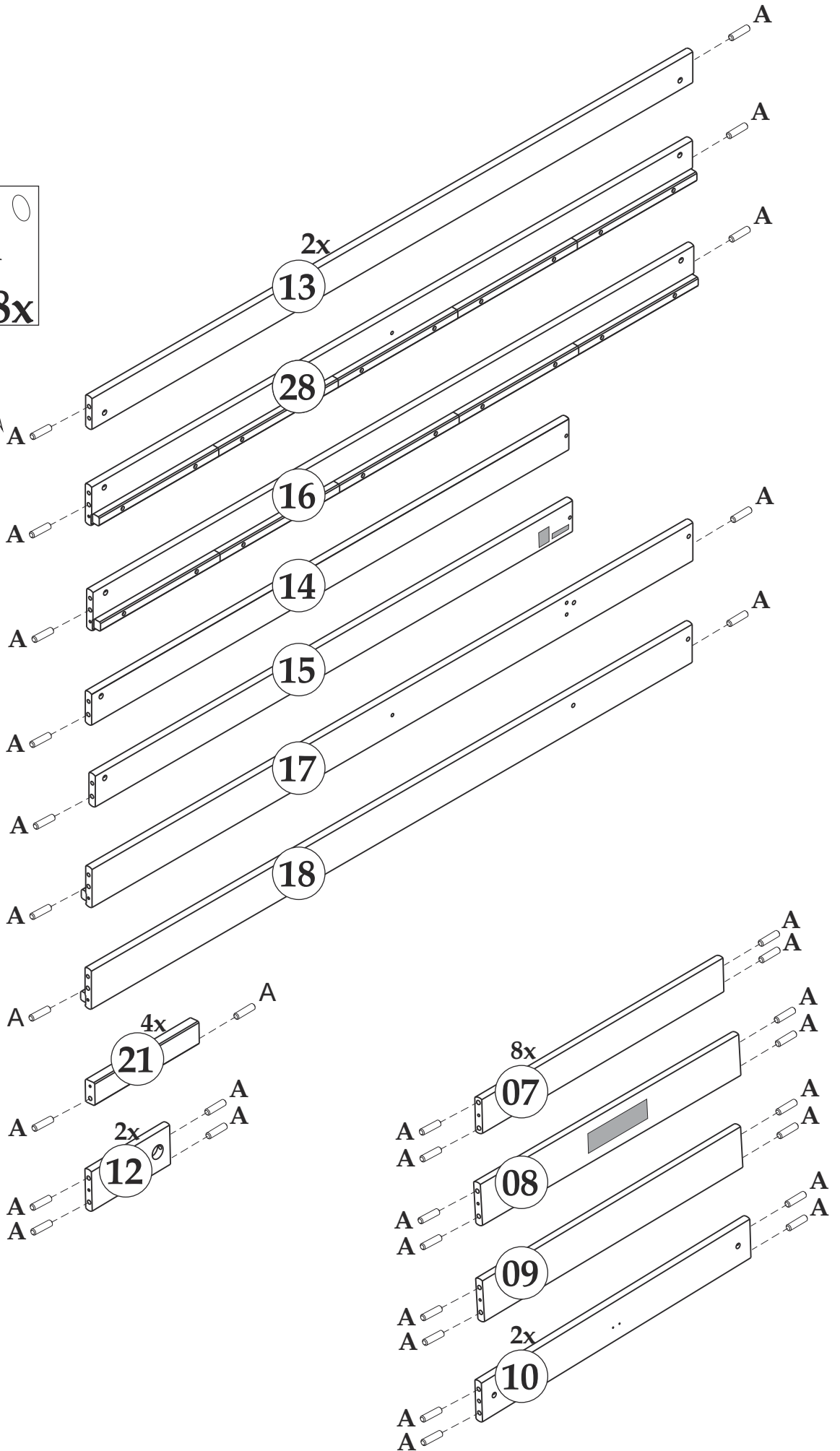
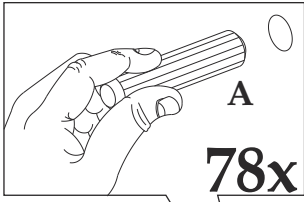


PARTS

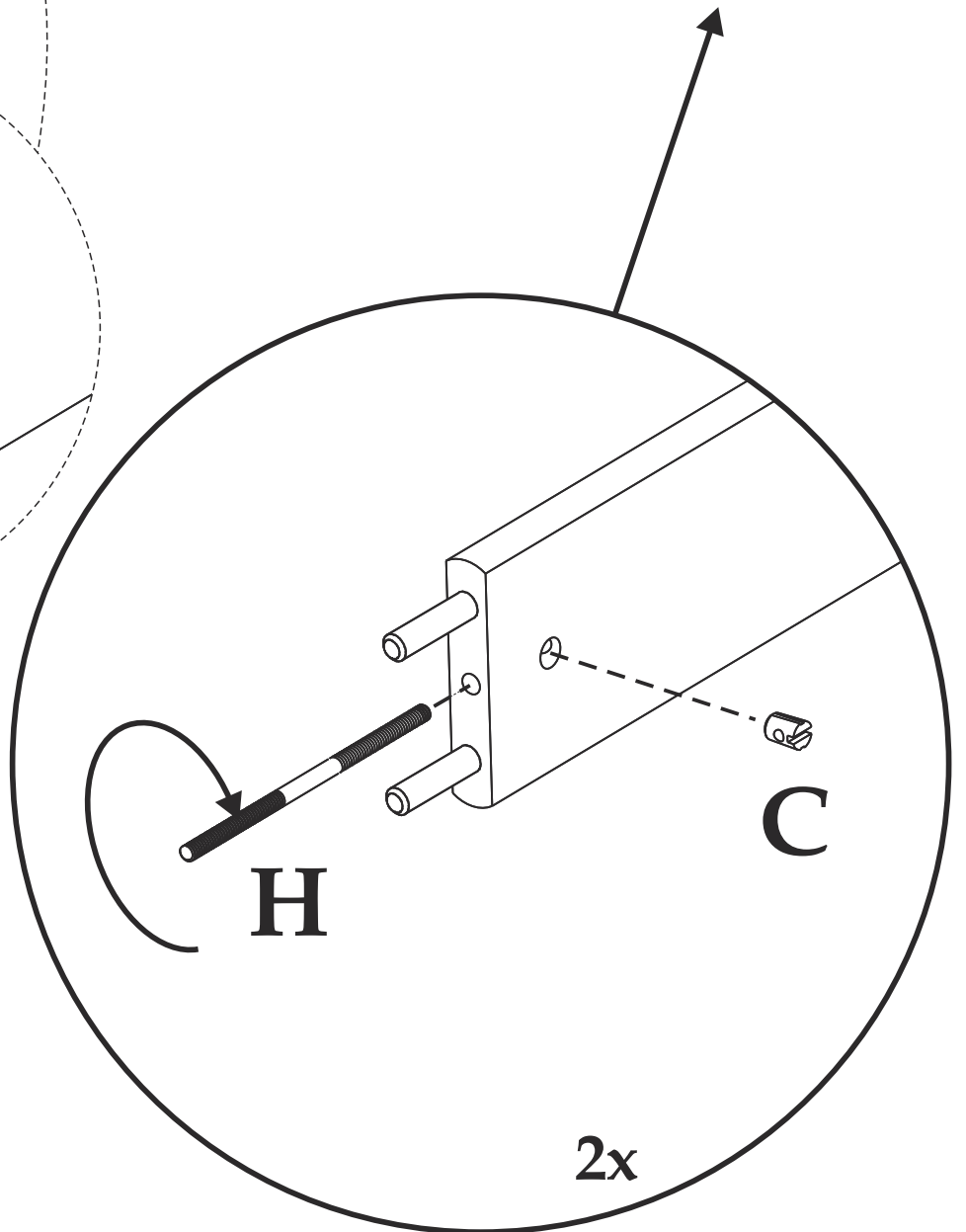
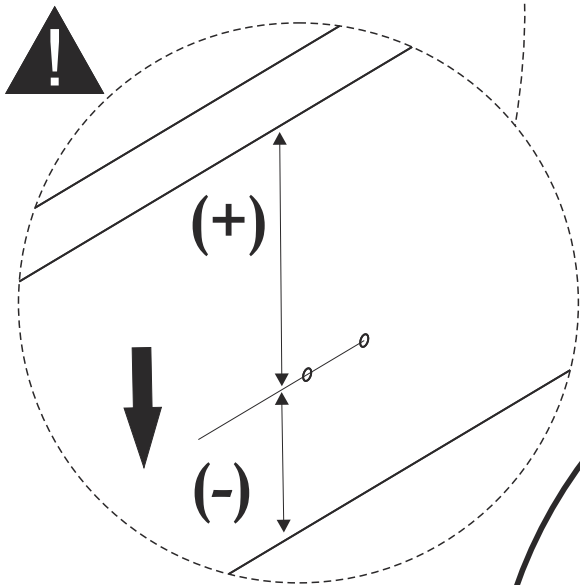
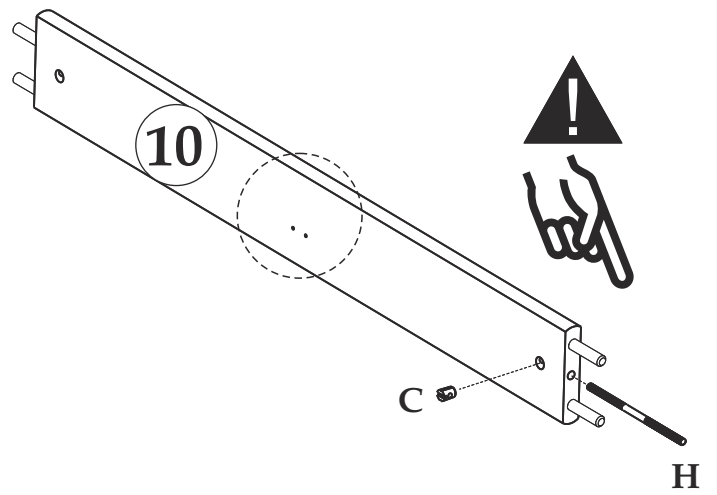
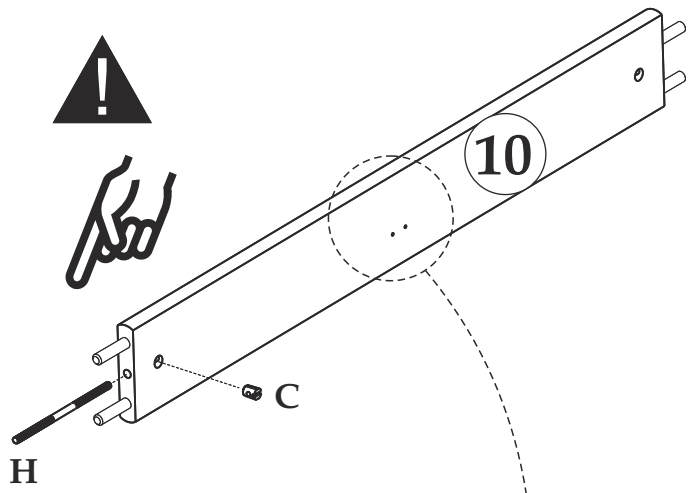


Please ensure you carefully check all the pieces, should you have any concerns please contact the retailer before assembly commences. Please have your order number, details of the issue, the product code, and the batch number from the cartons as this will help us to resolve your issue much faster.

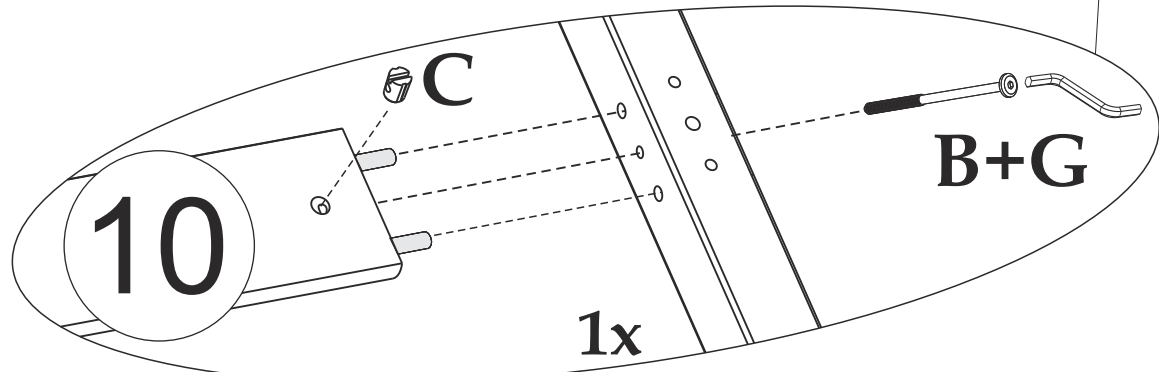
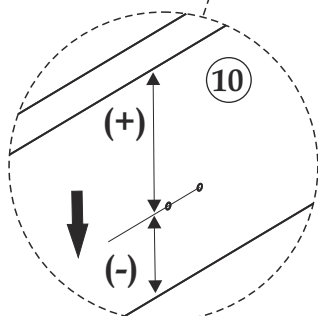
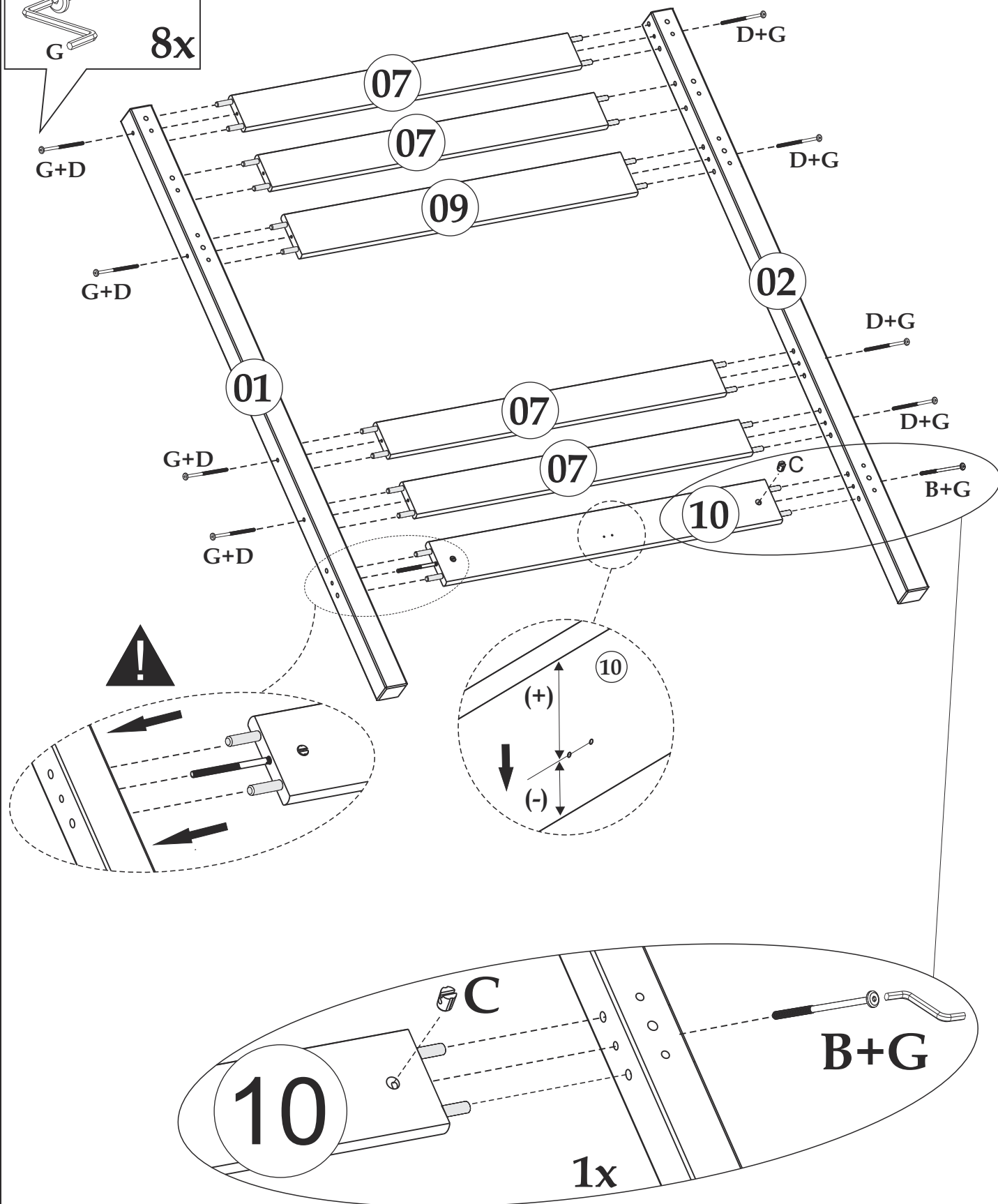
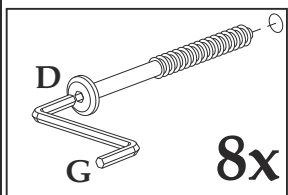
01



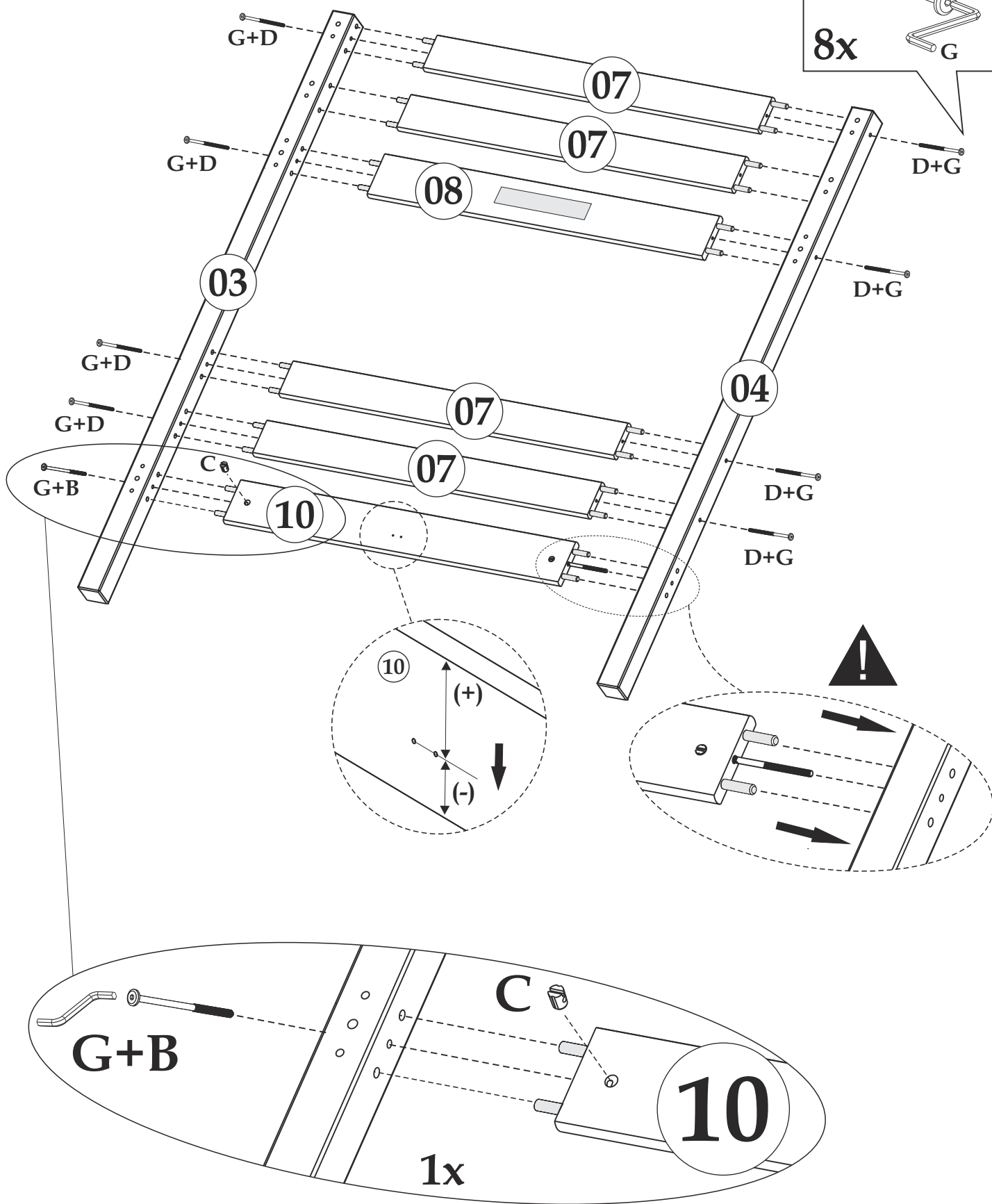
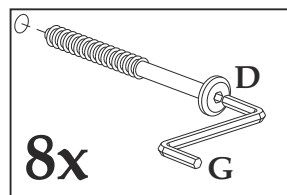
02



03



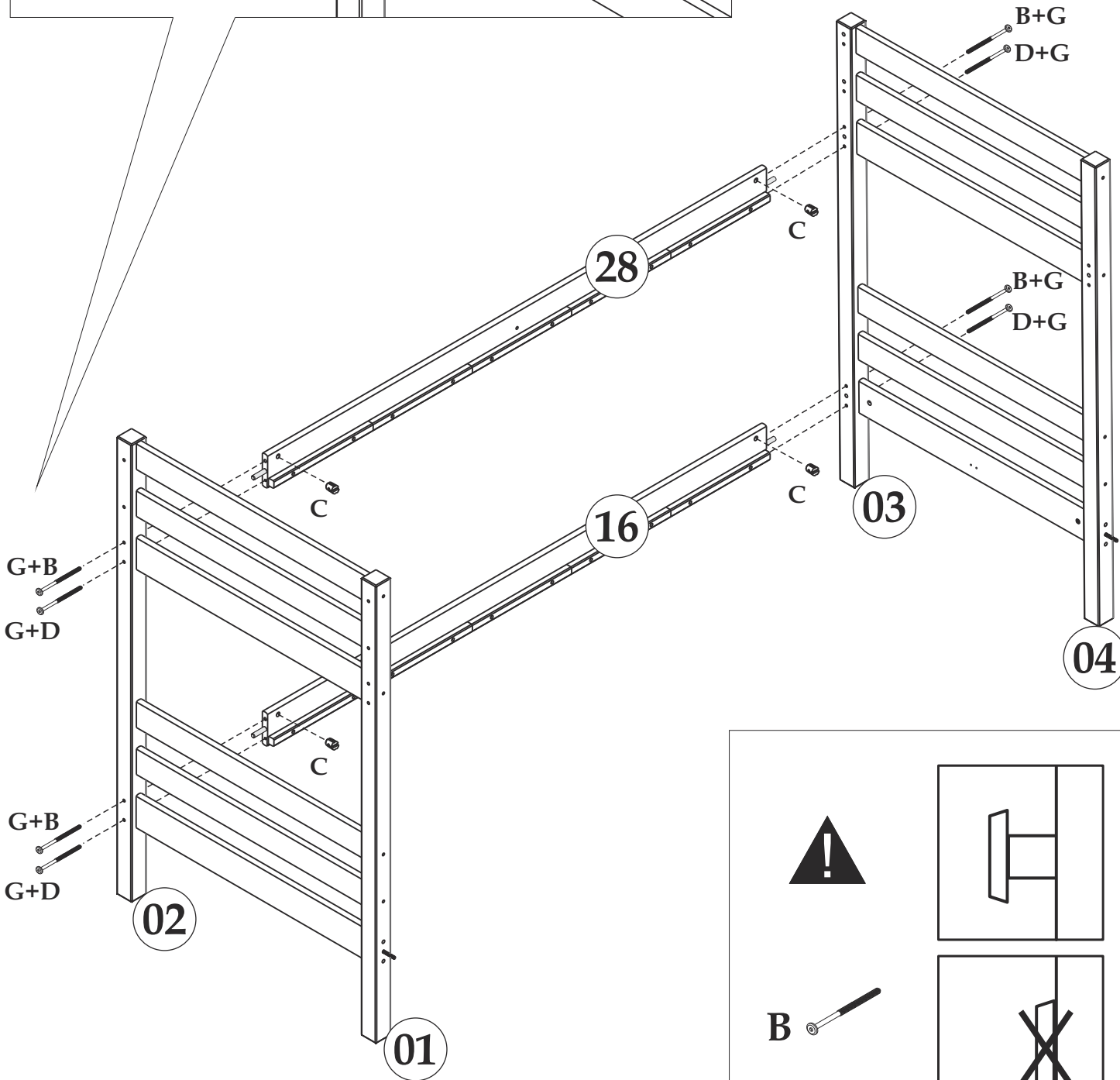
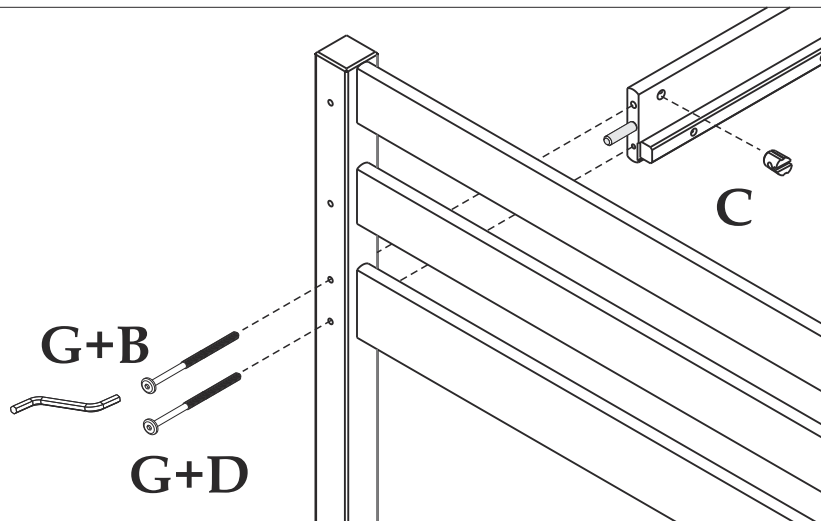
04



05



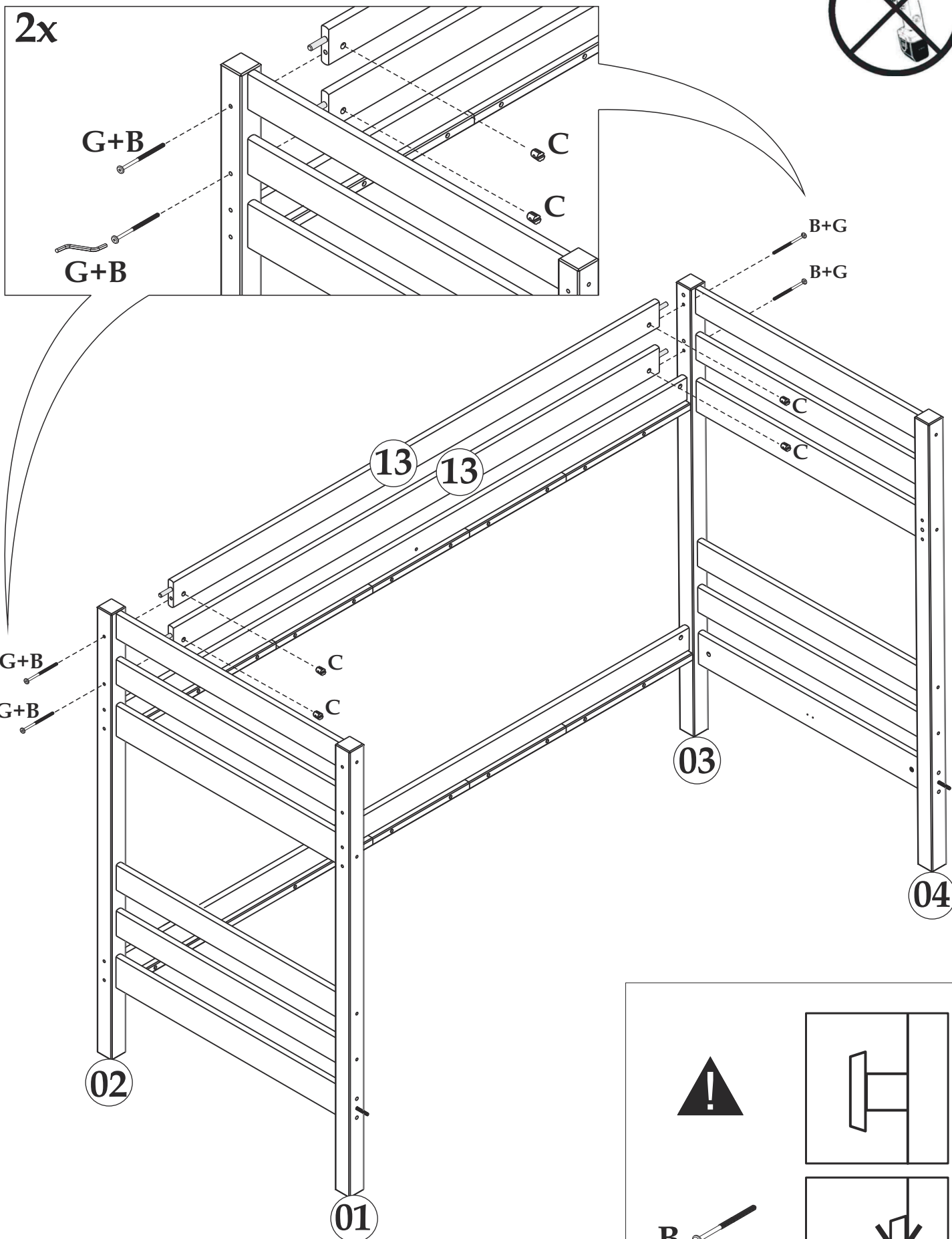
4x



A block containing a warning triangle with an exclamation mark, a diagram showing a slat being inserted into a post, and a diagram showing a slat being inserted incorrectly (crossed out). Below these are two diagrams showing the correct orientation of screws B and D, with B being a long screw and D being a shorter screw.

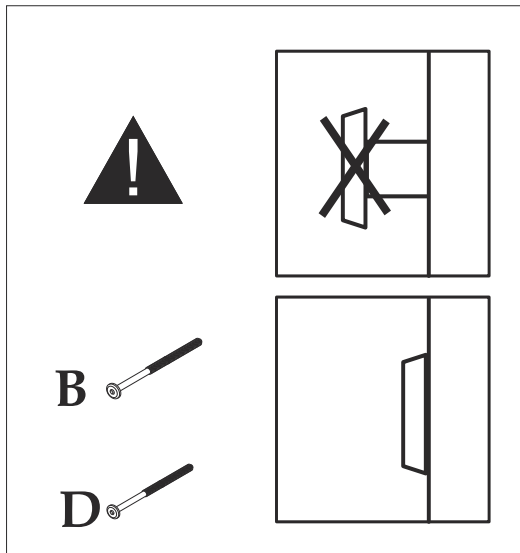
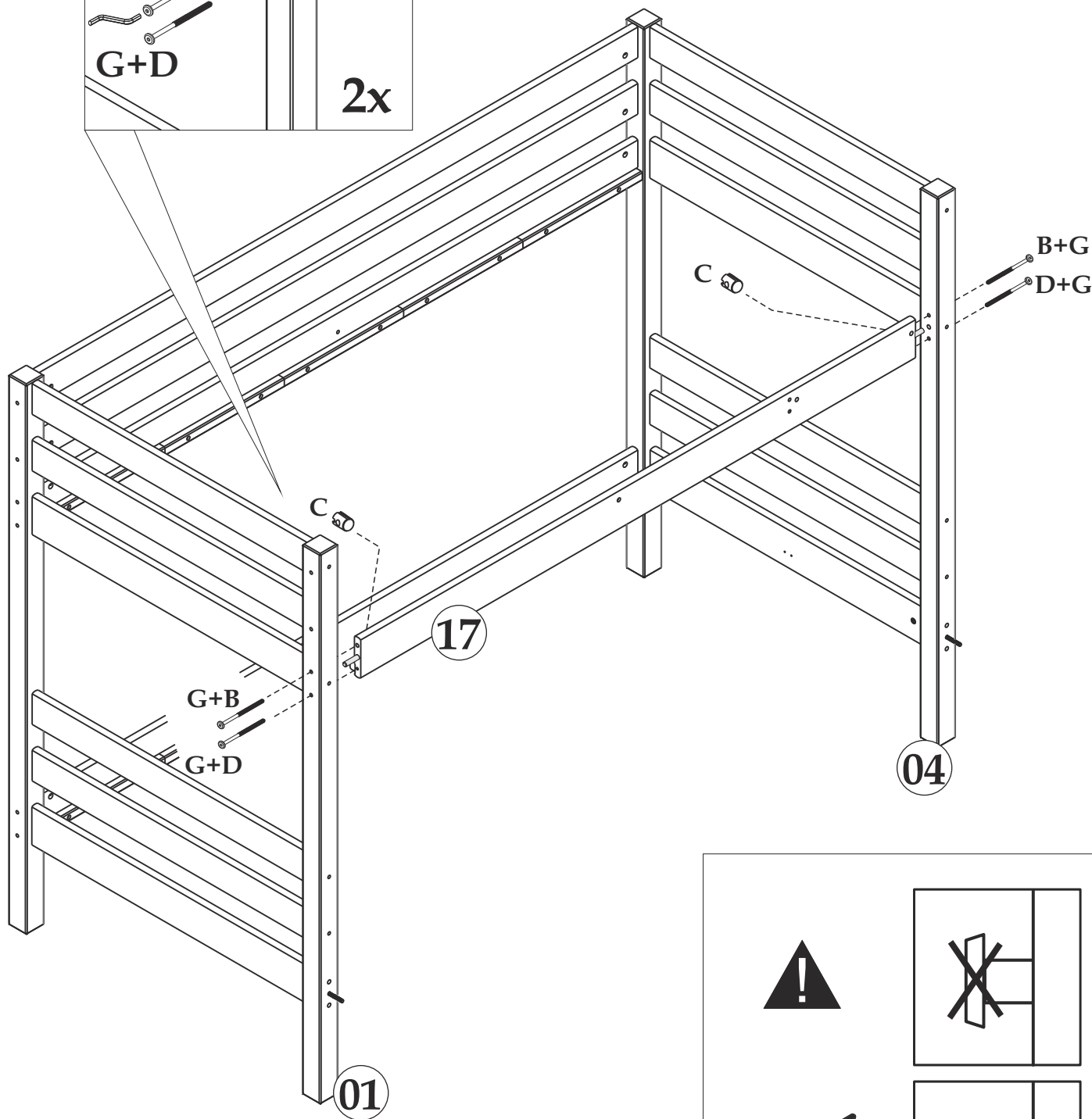
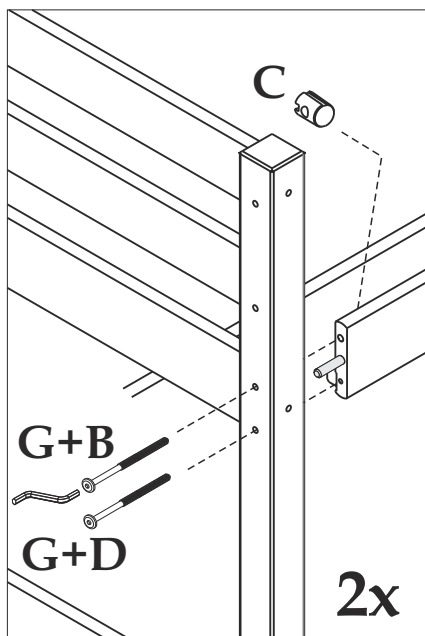
06

2x

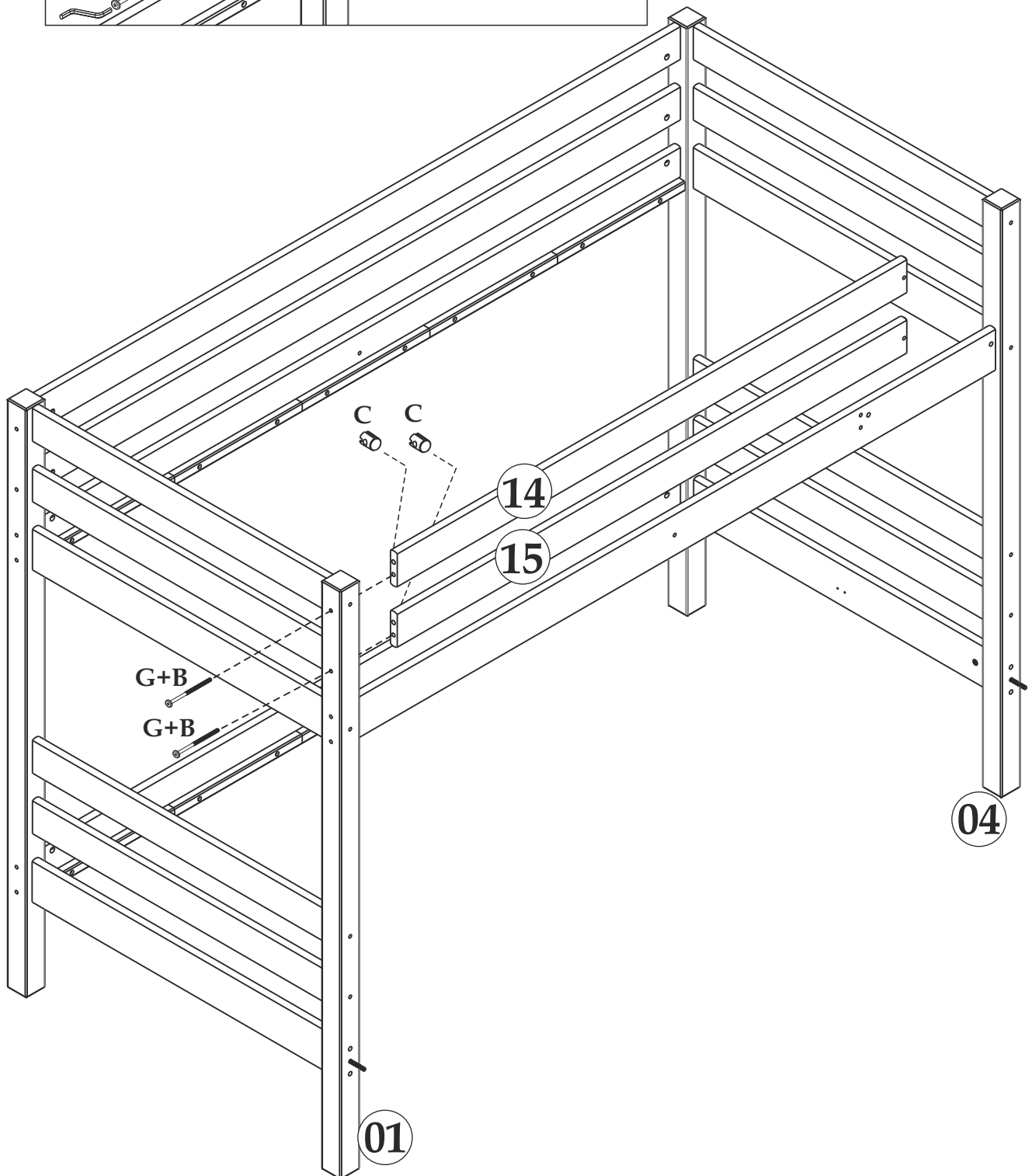
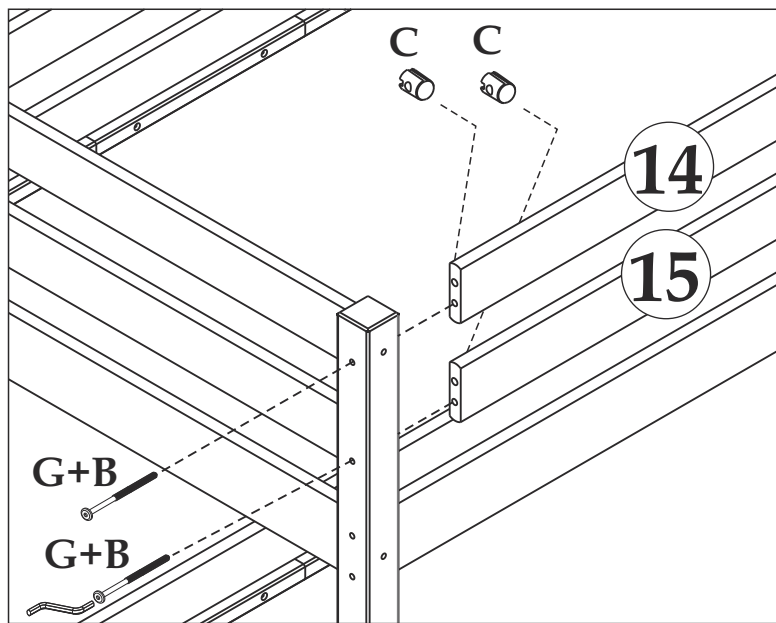


A box containing a warning symbol (a triangle with an exclamation mark) and two diagrams. The top diagram shows a side rail being inserted into an end rail. The bottom diagram shows a side rail being inserted into an end rail with a diagonal slash through it, indicating that this is an incorrect assembly method. Below the diagrams is a screw labeled 'B'.

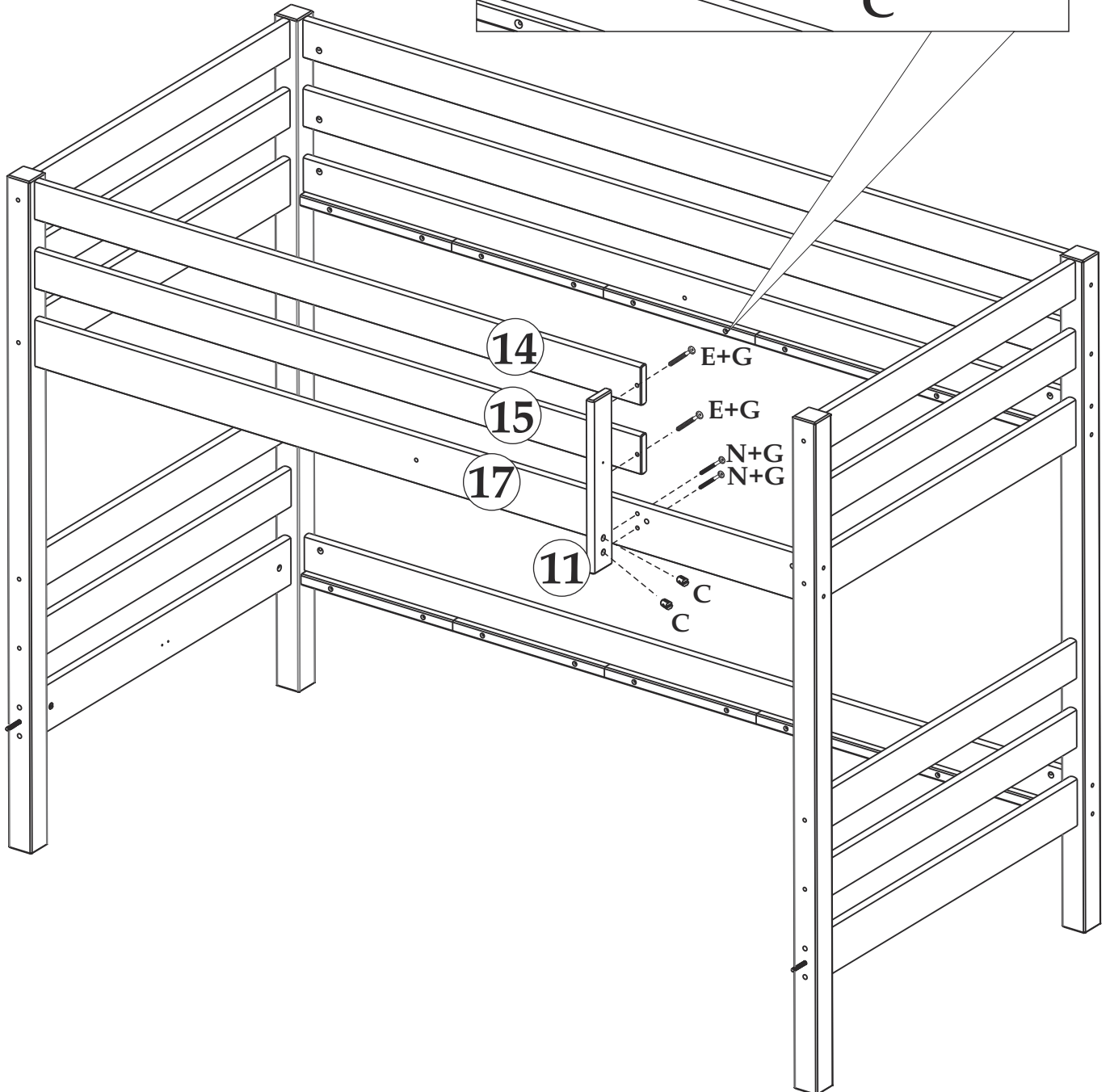
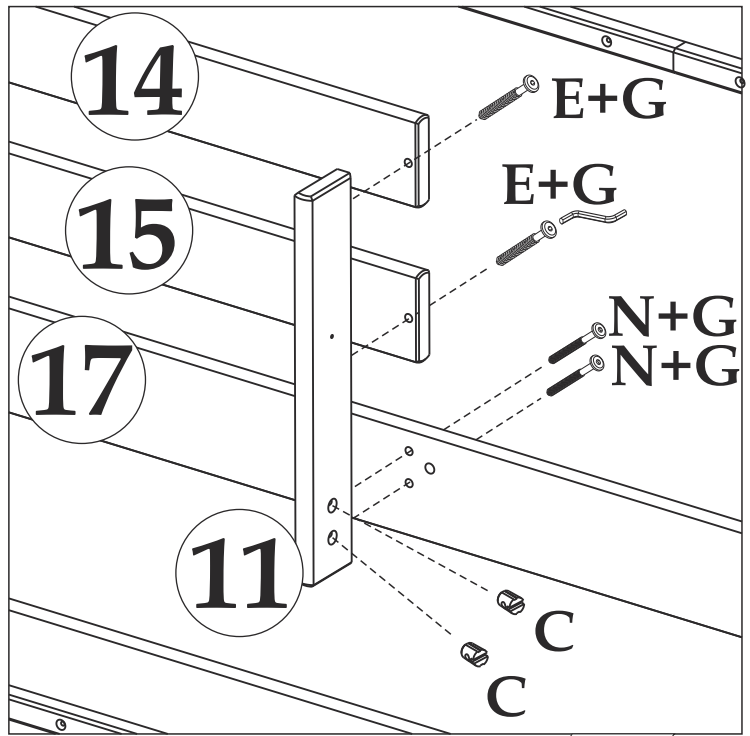
07



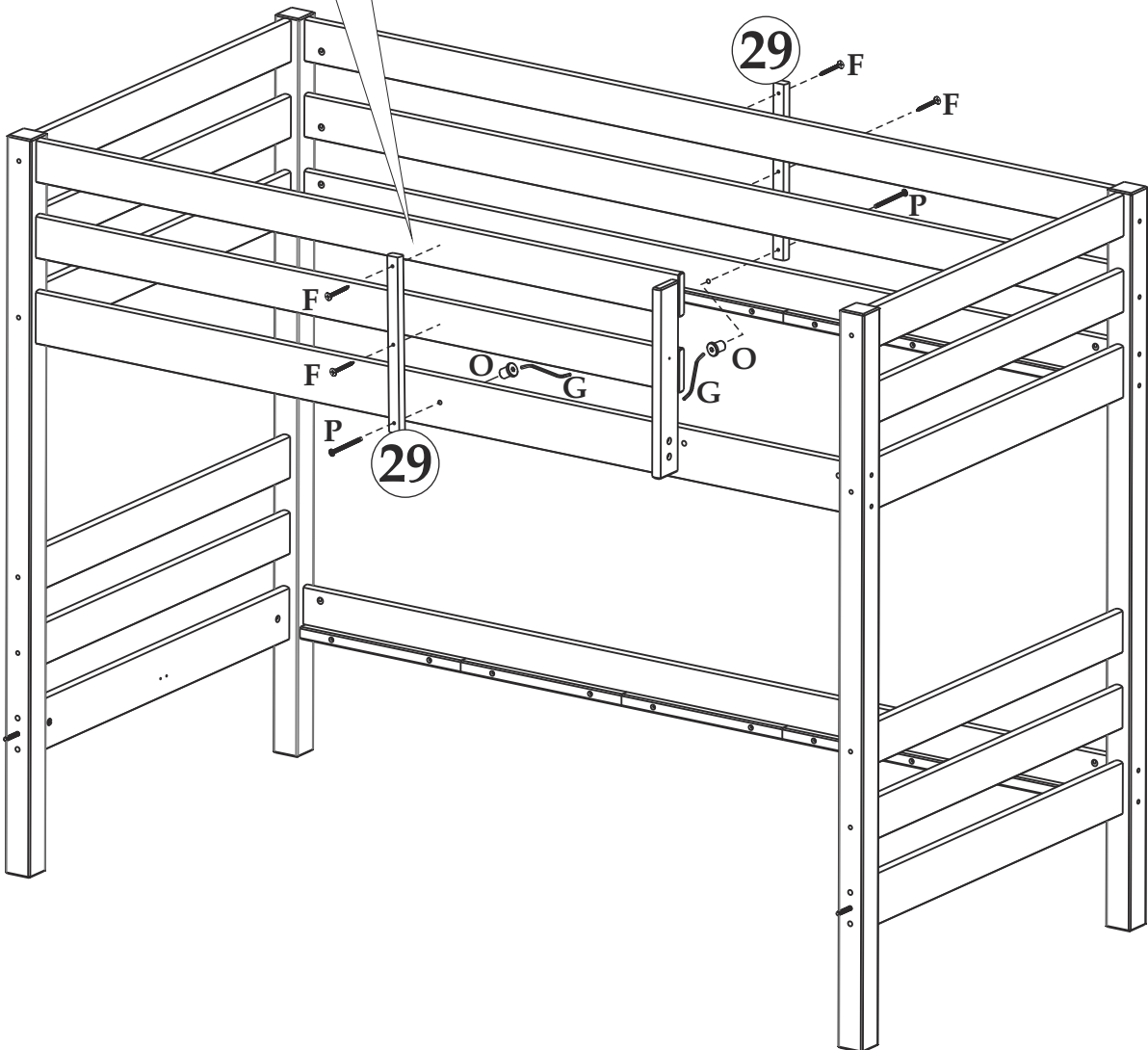
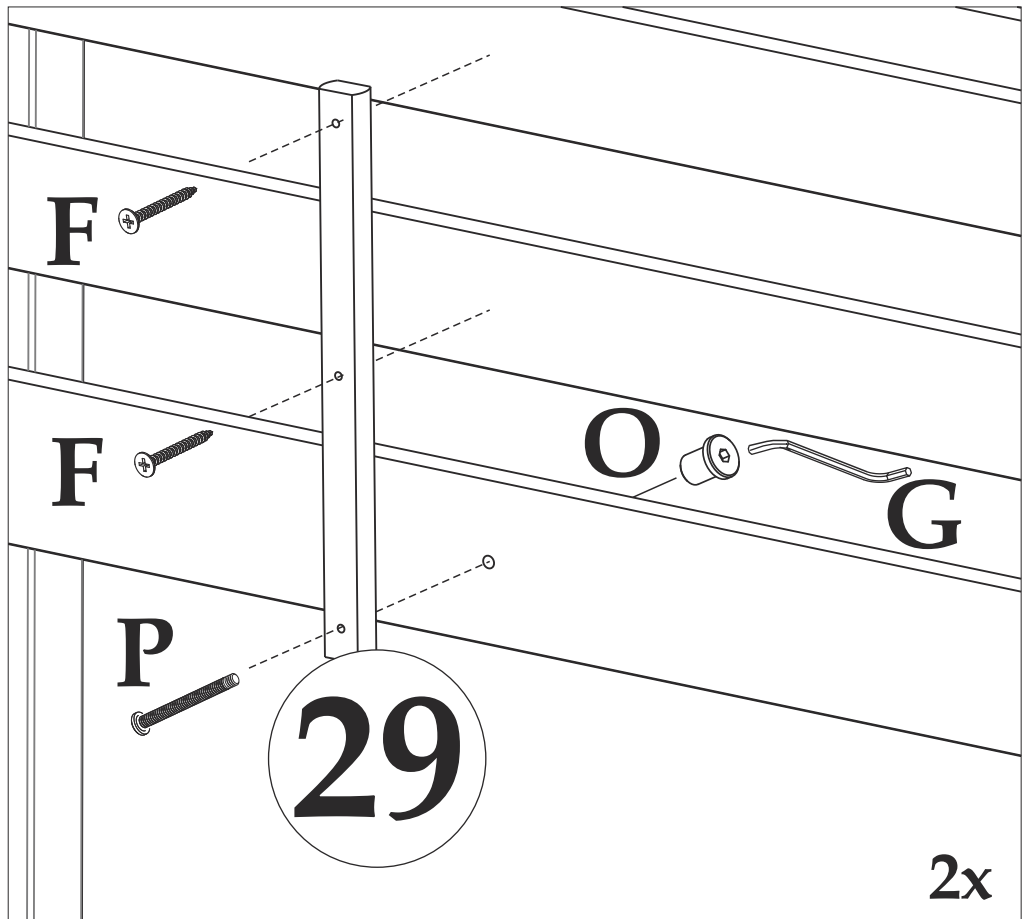
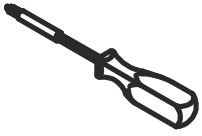
08



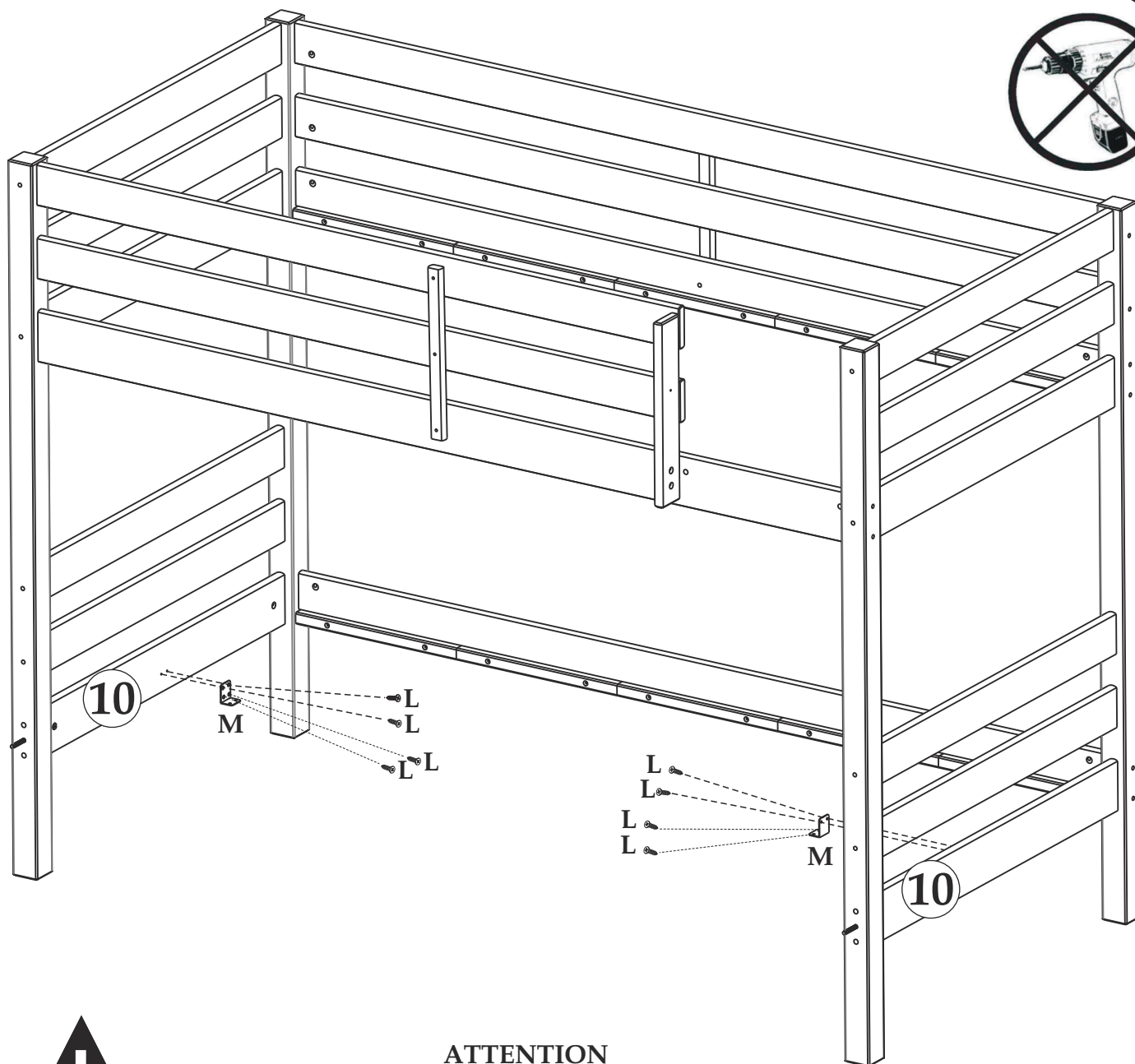
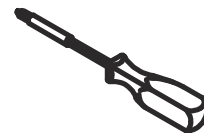
09



10

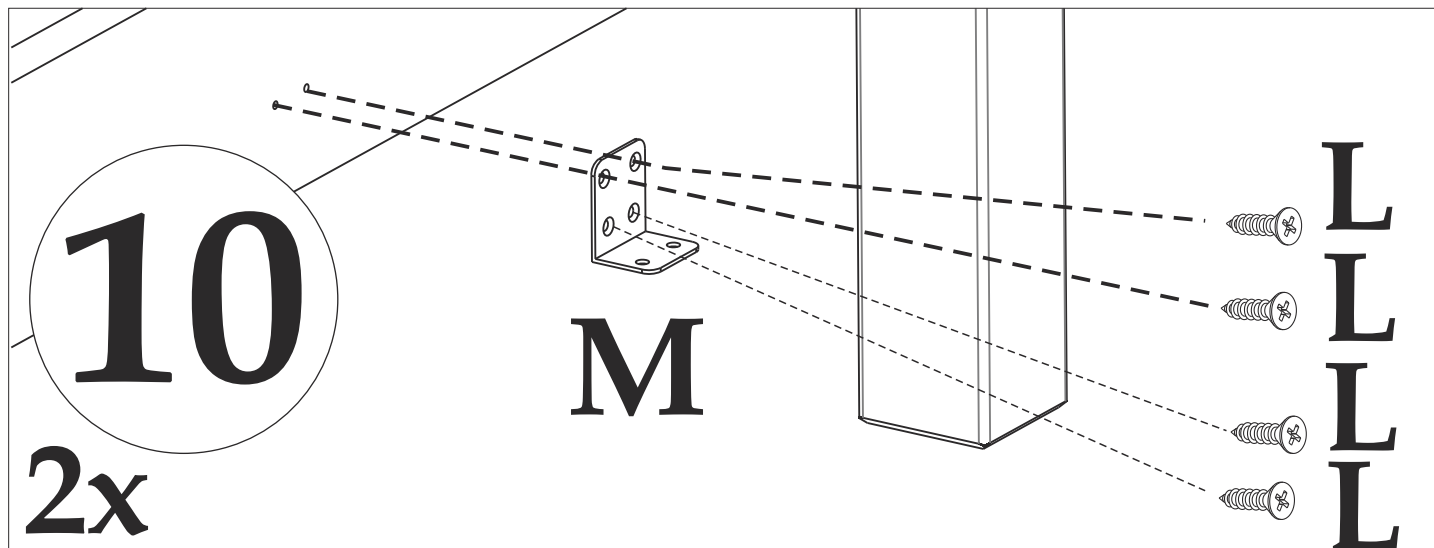


11

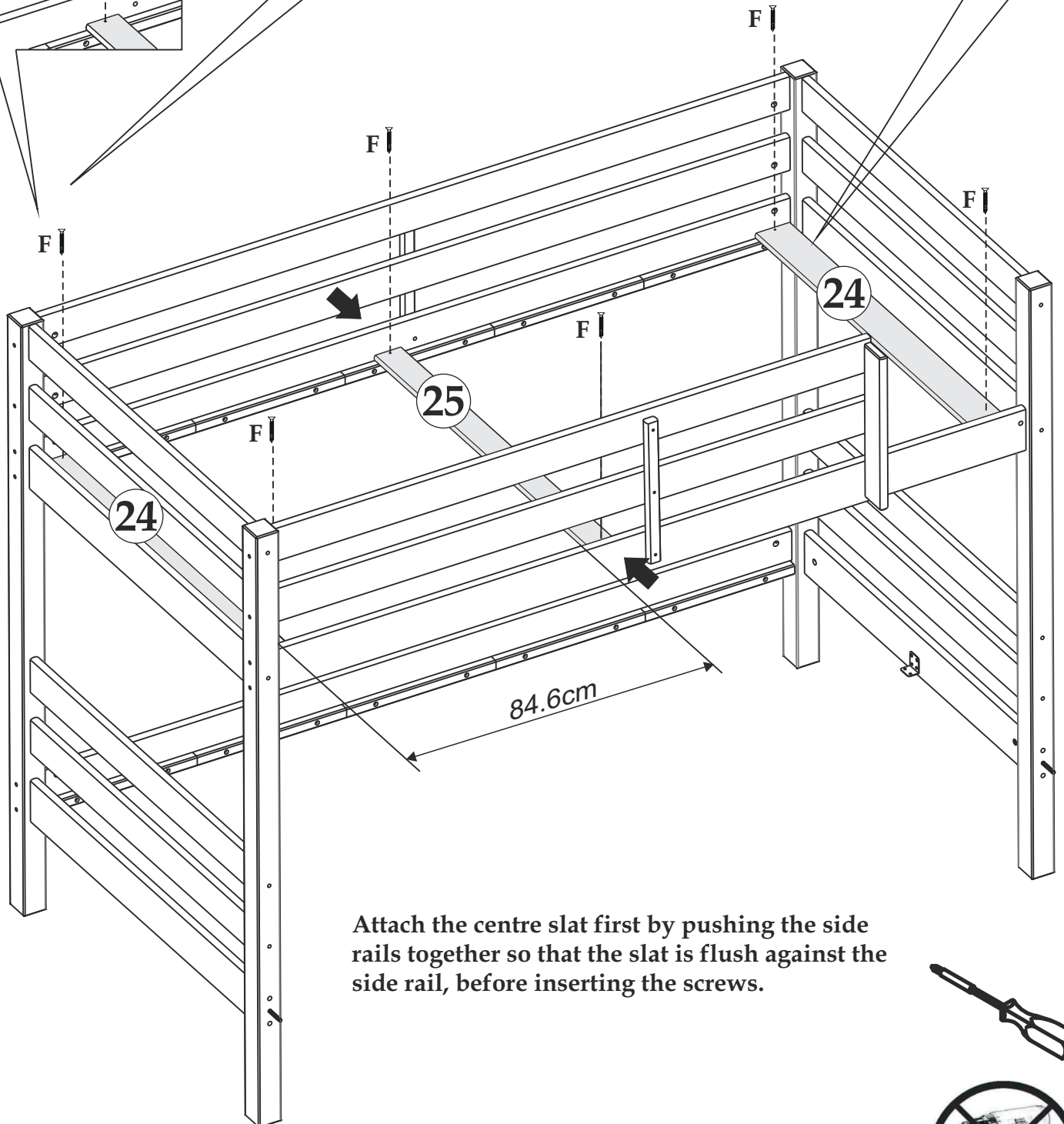
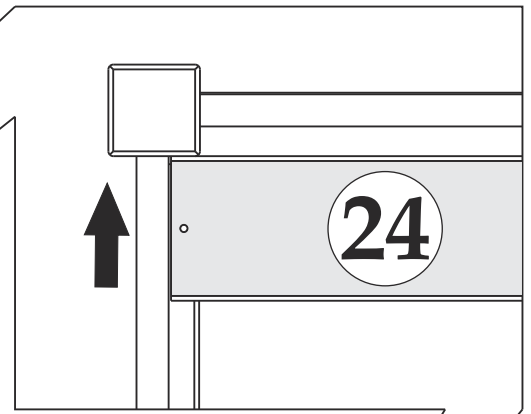
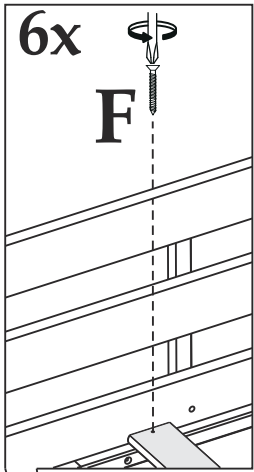


ATTENTION

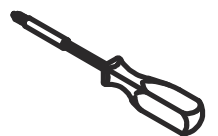
Rail 10 has 2 guide holes, which must come together with the top 2 holes of the hardware (M).



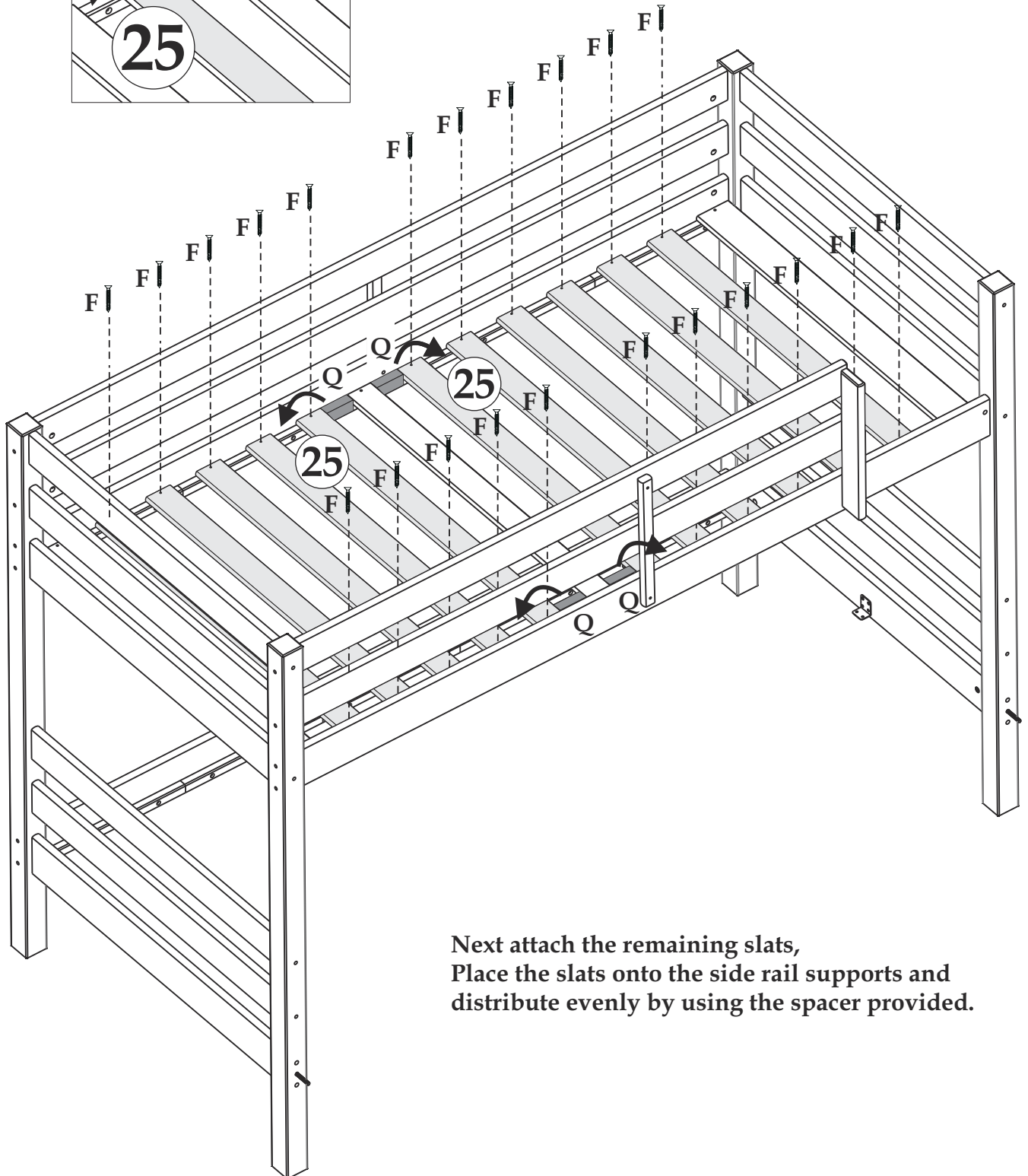
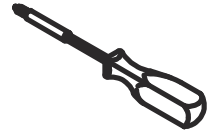
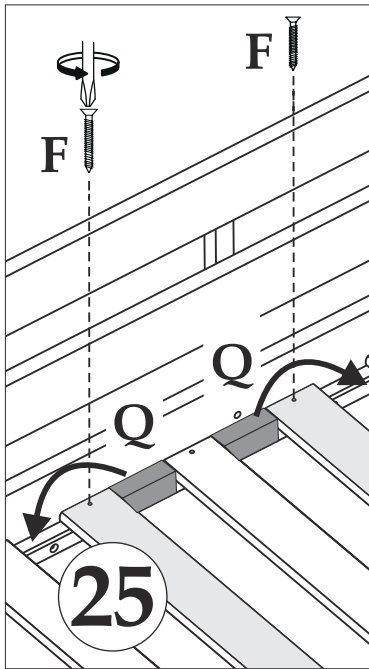
12



Attach the centre slat first by pushing the side rails together so that the slat is flush against the side rail, before inserting the screws.

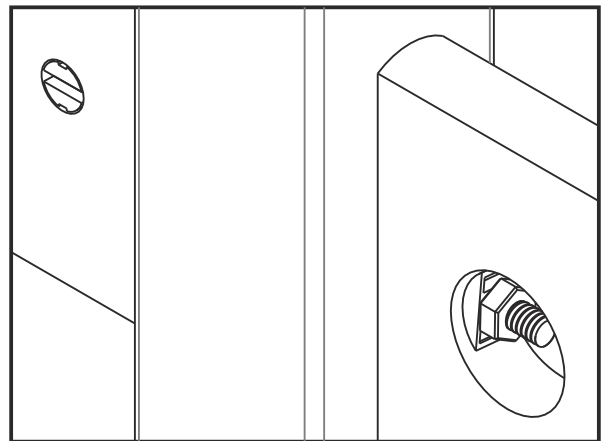
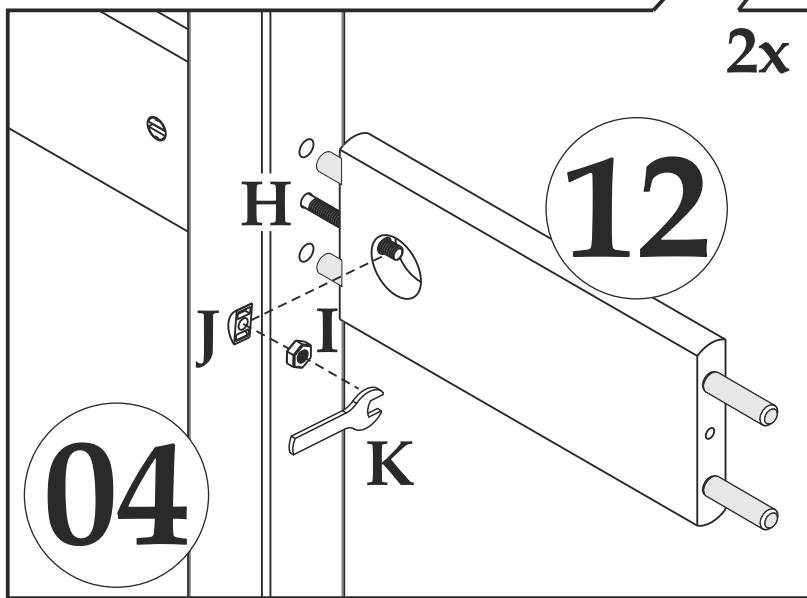
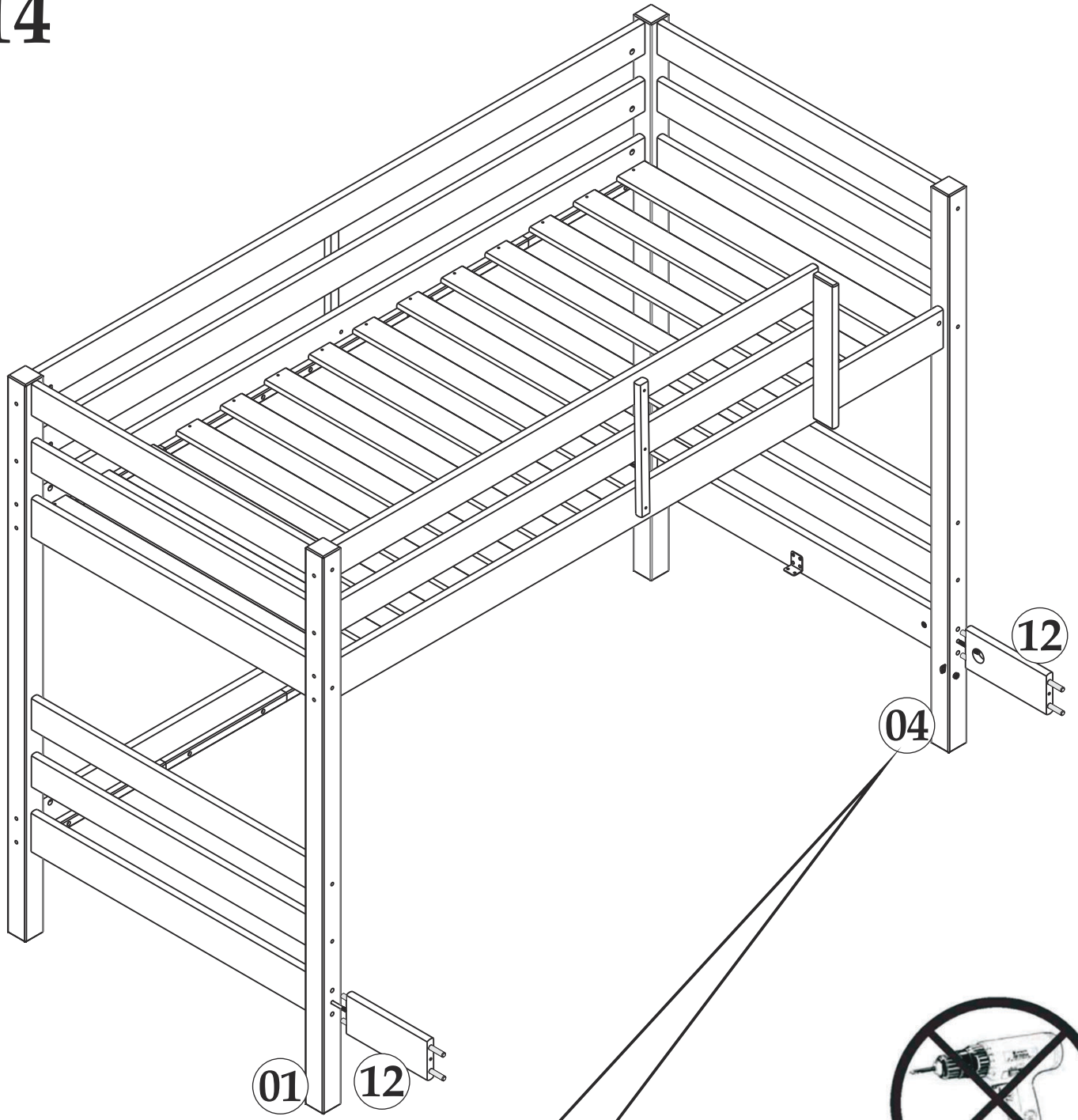


13

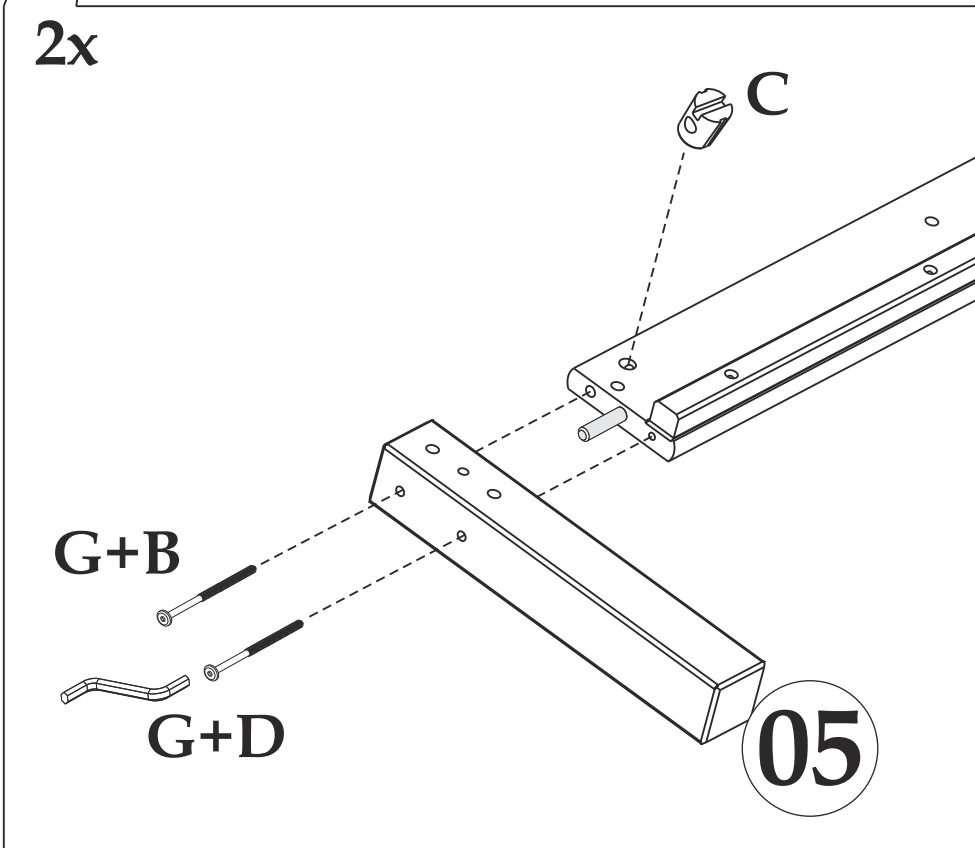
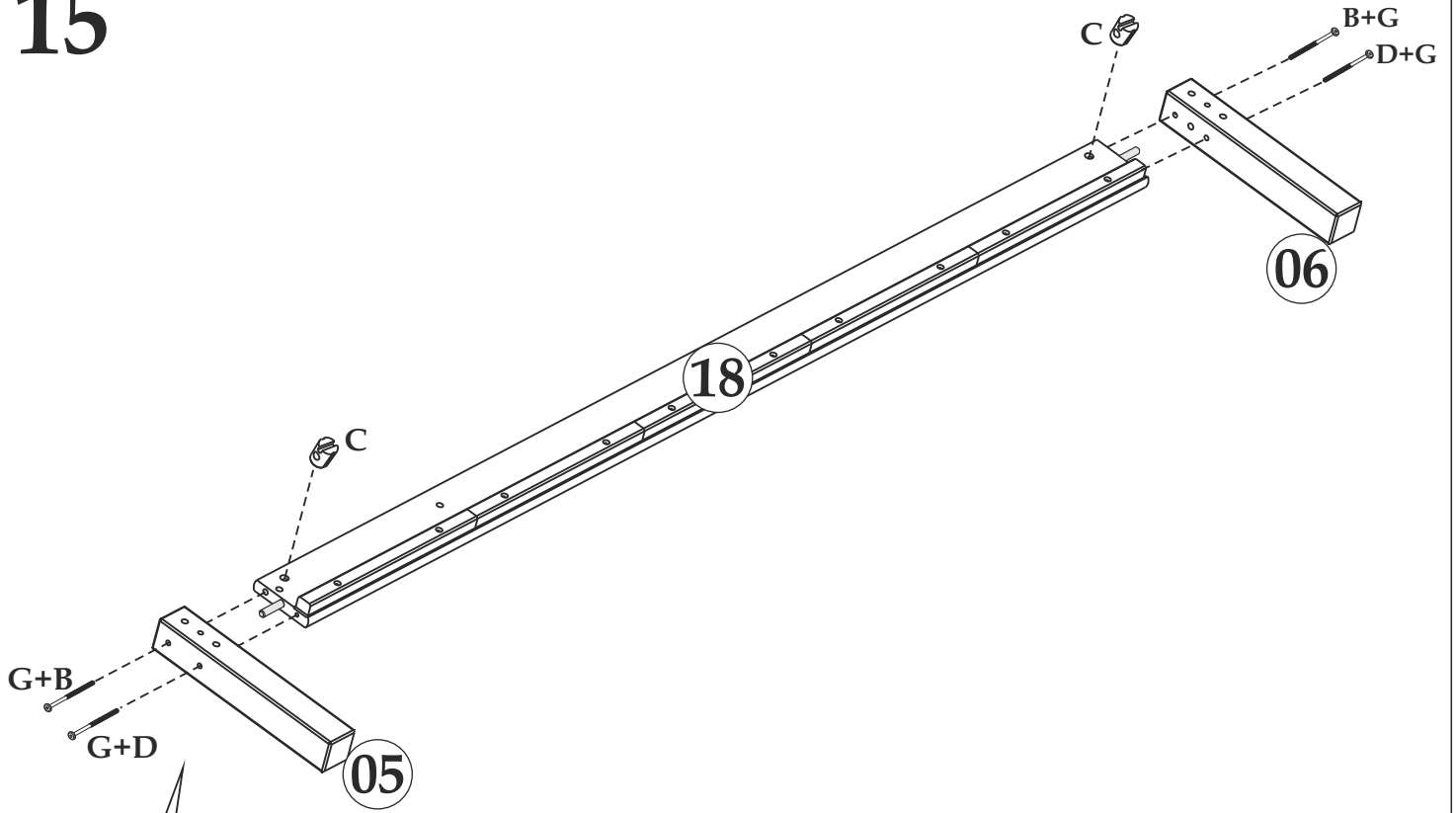


Next attach the remaining slats,
Place the slats onto the side rail supports and
distribute evenly by using the spacer provided.

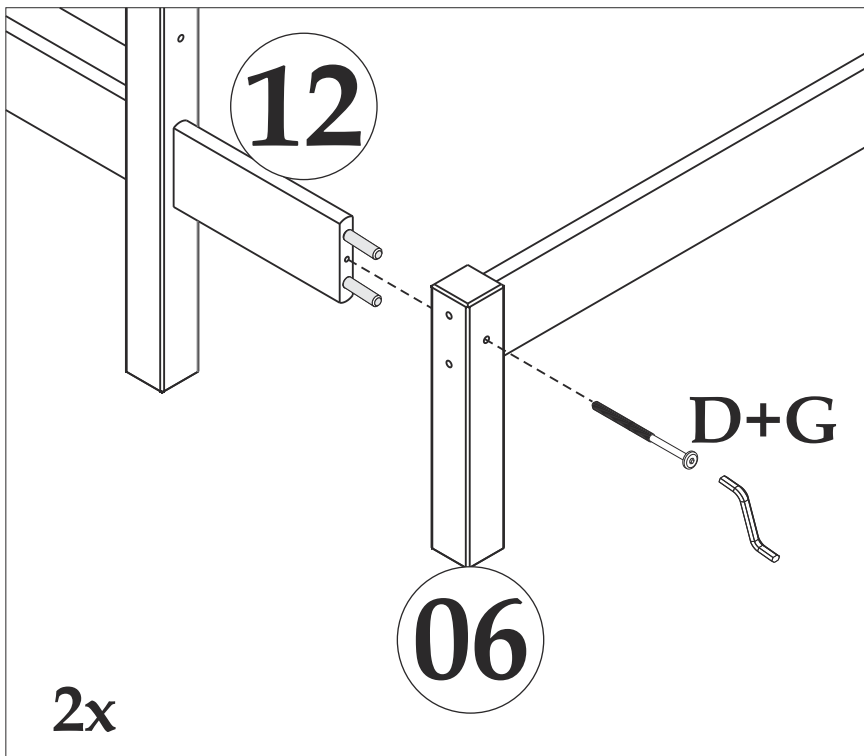
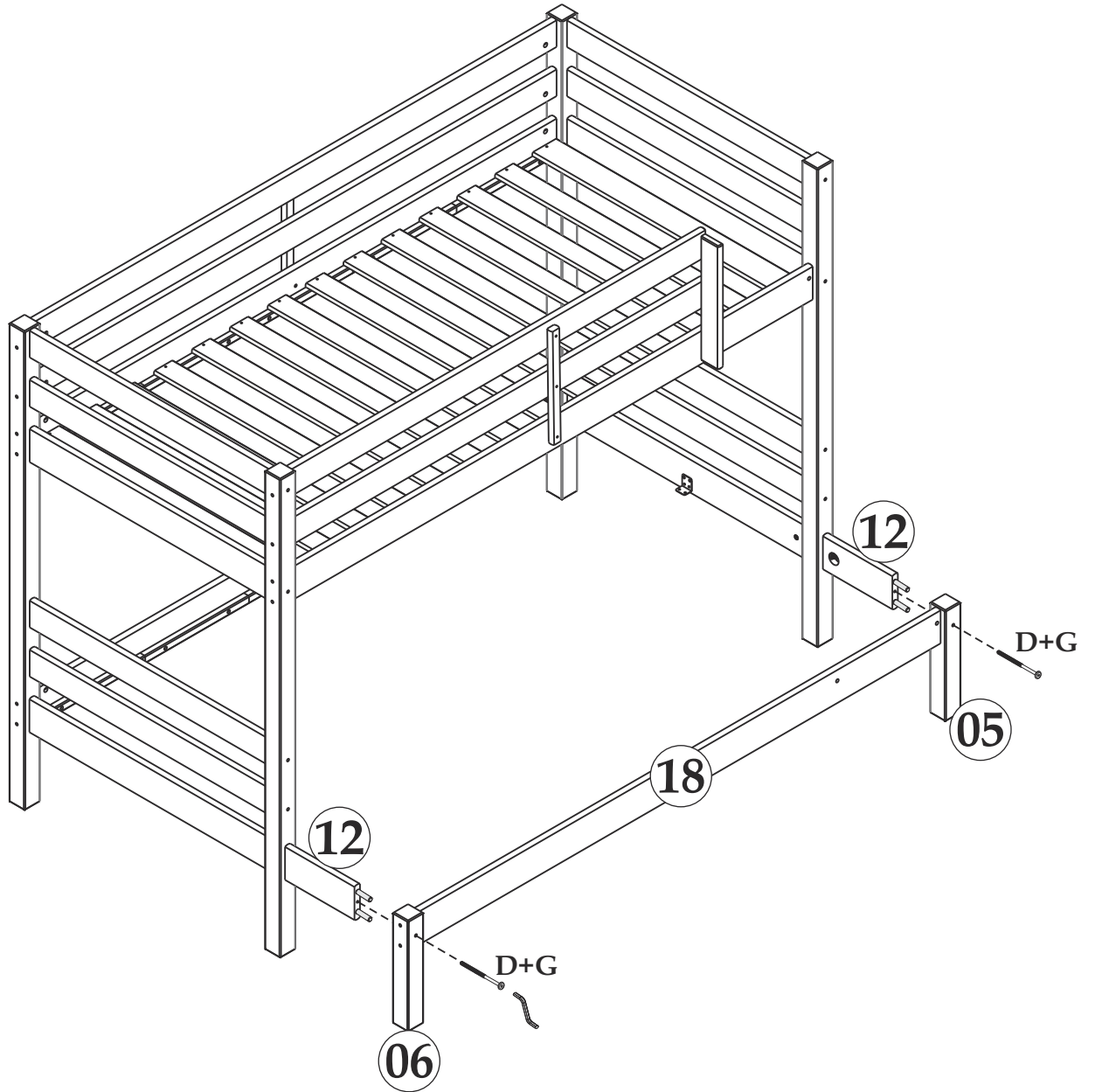
14



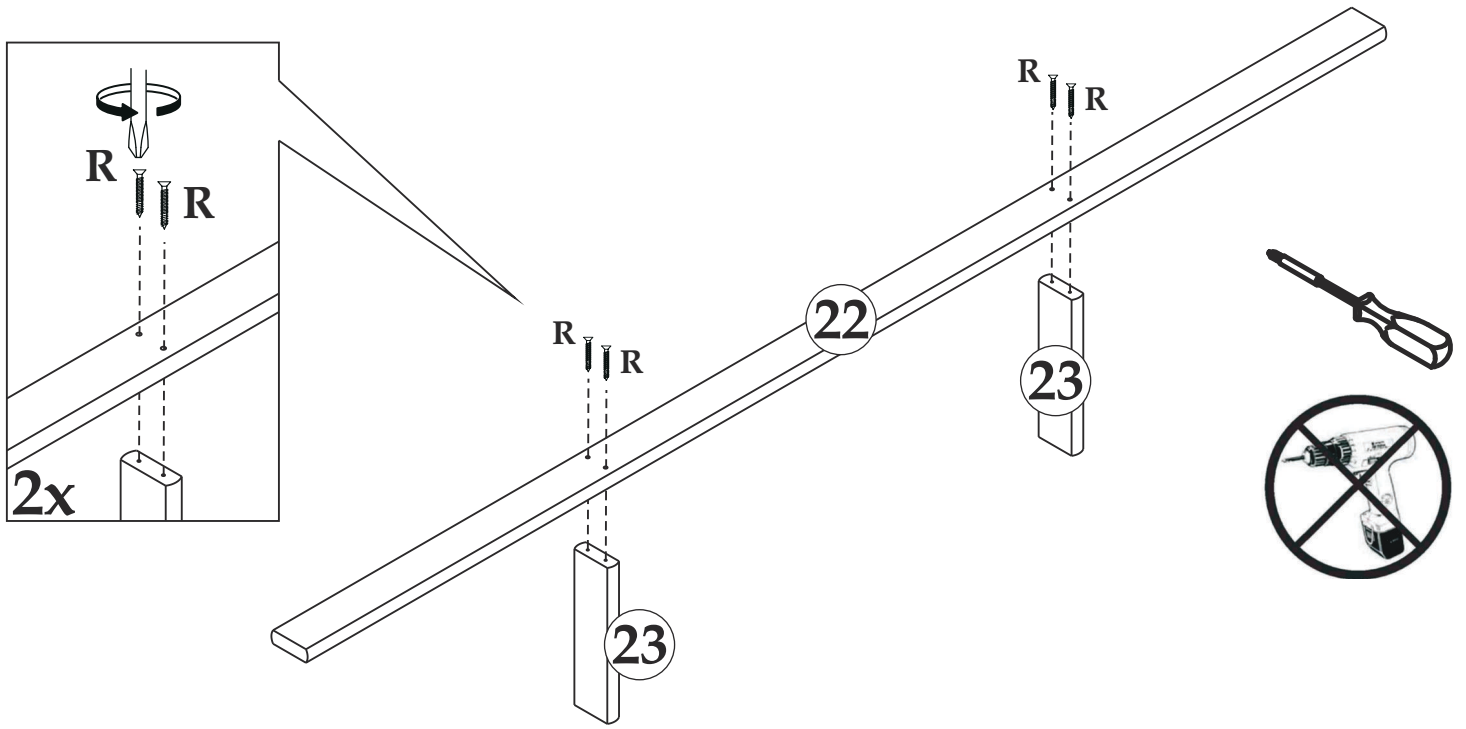
15



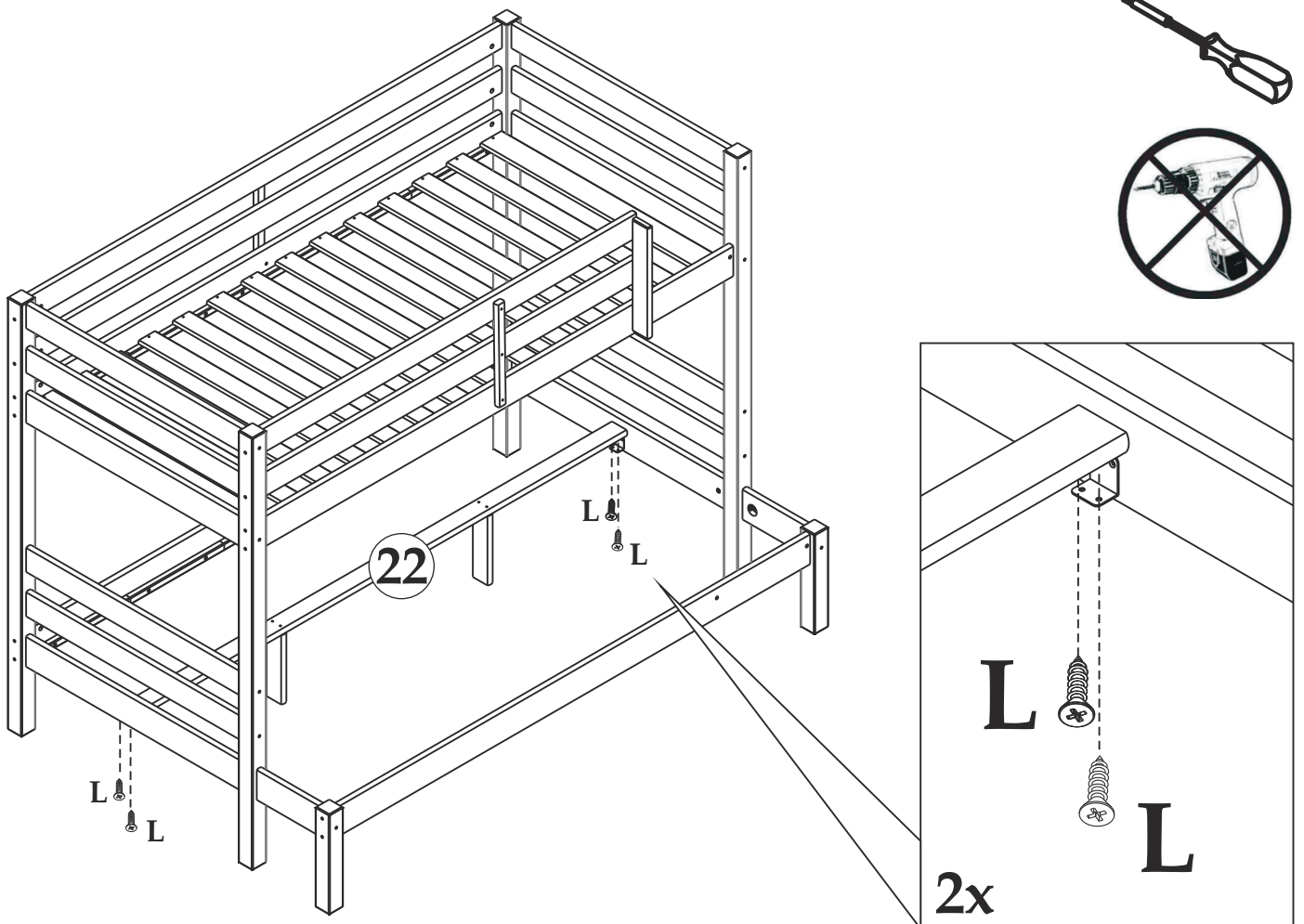
16



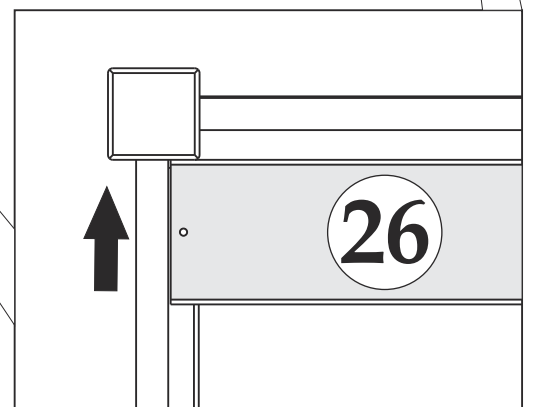
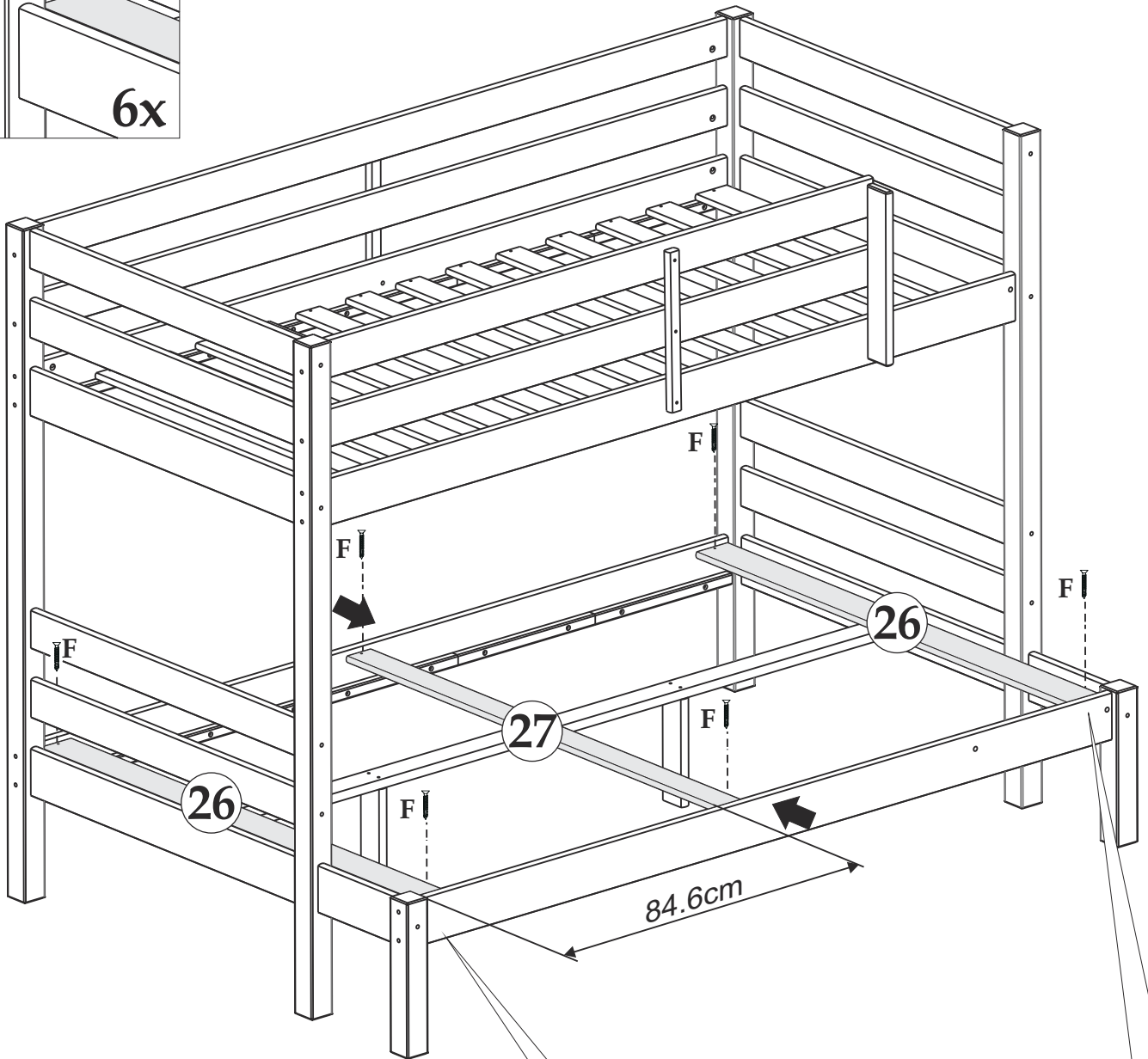
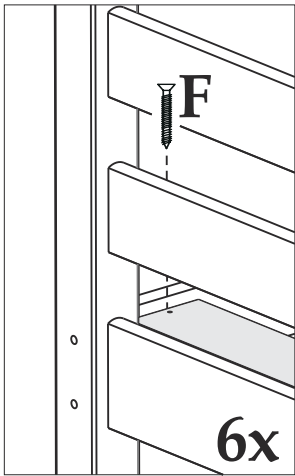
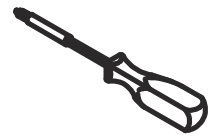
17



18

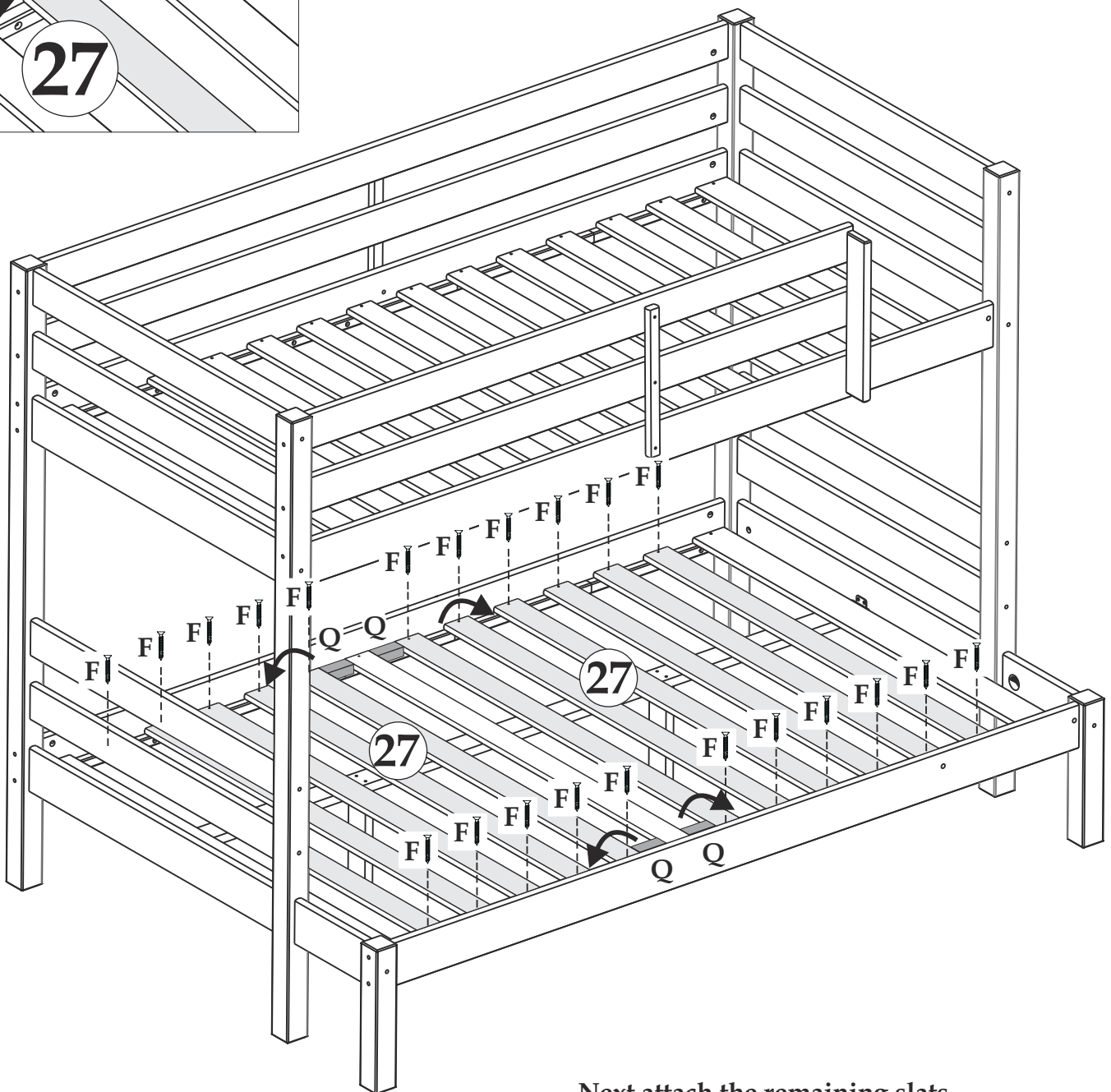
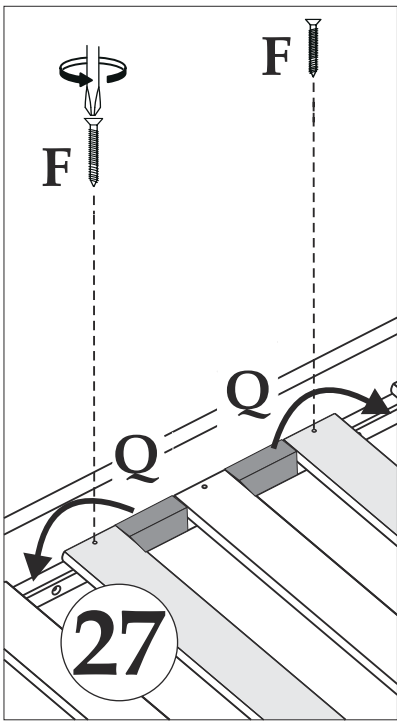


19

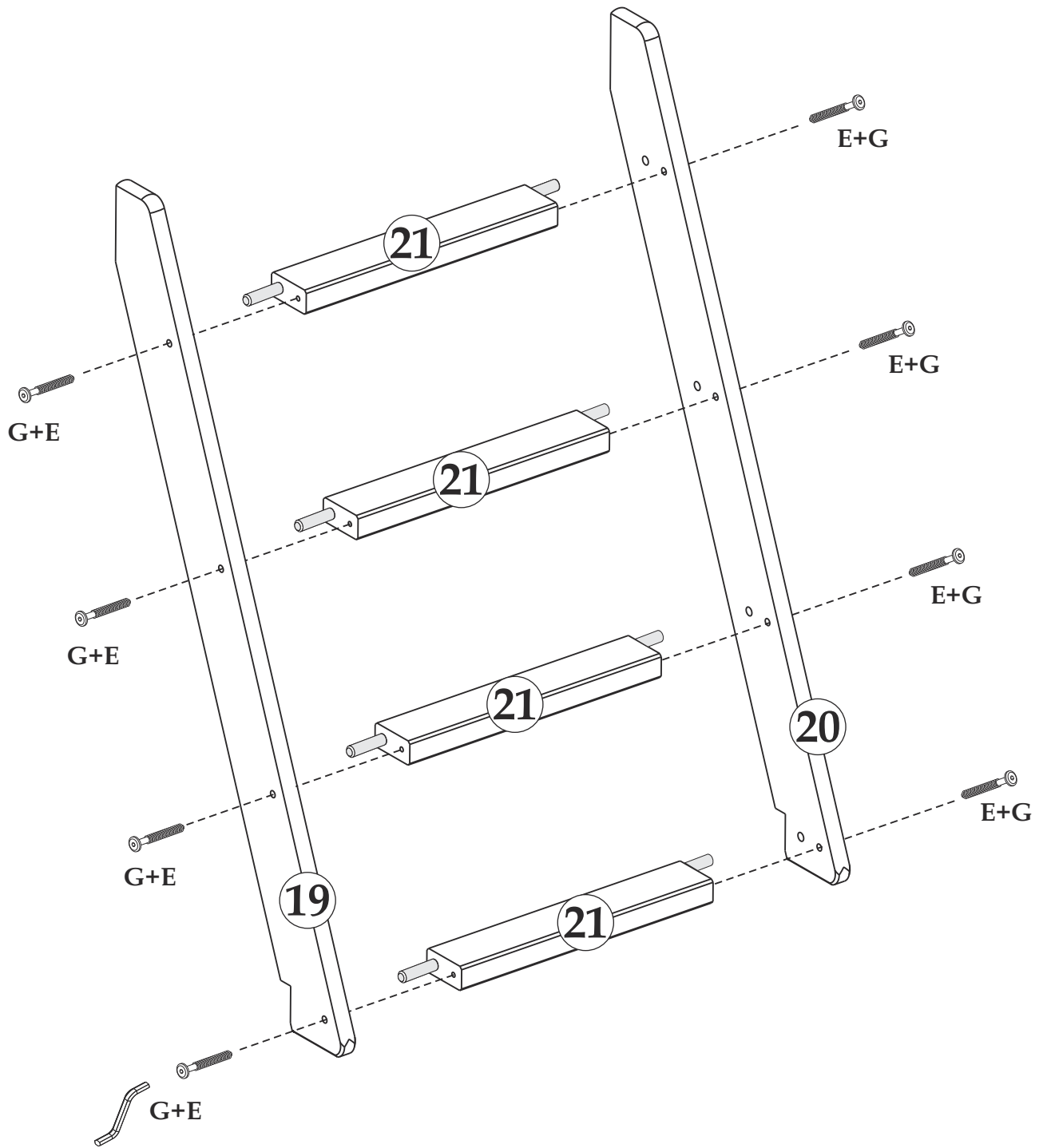


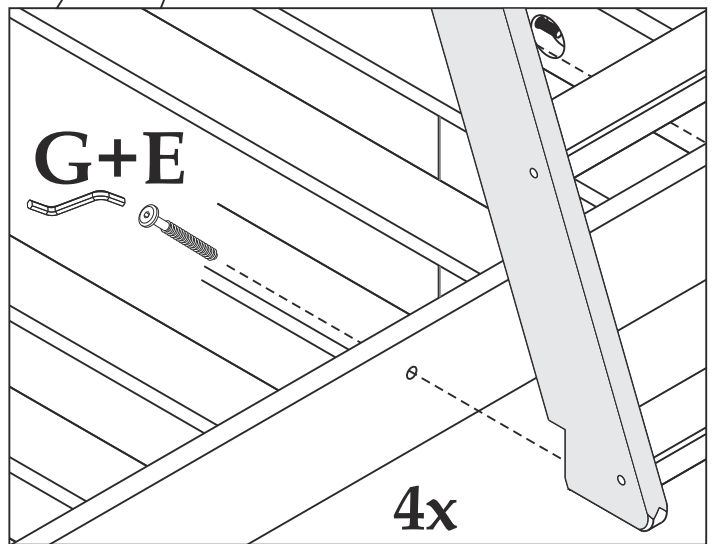
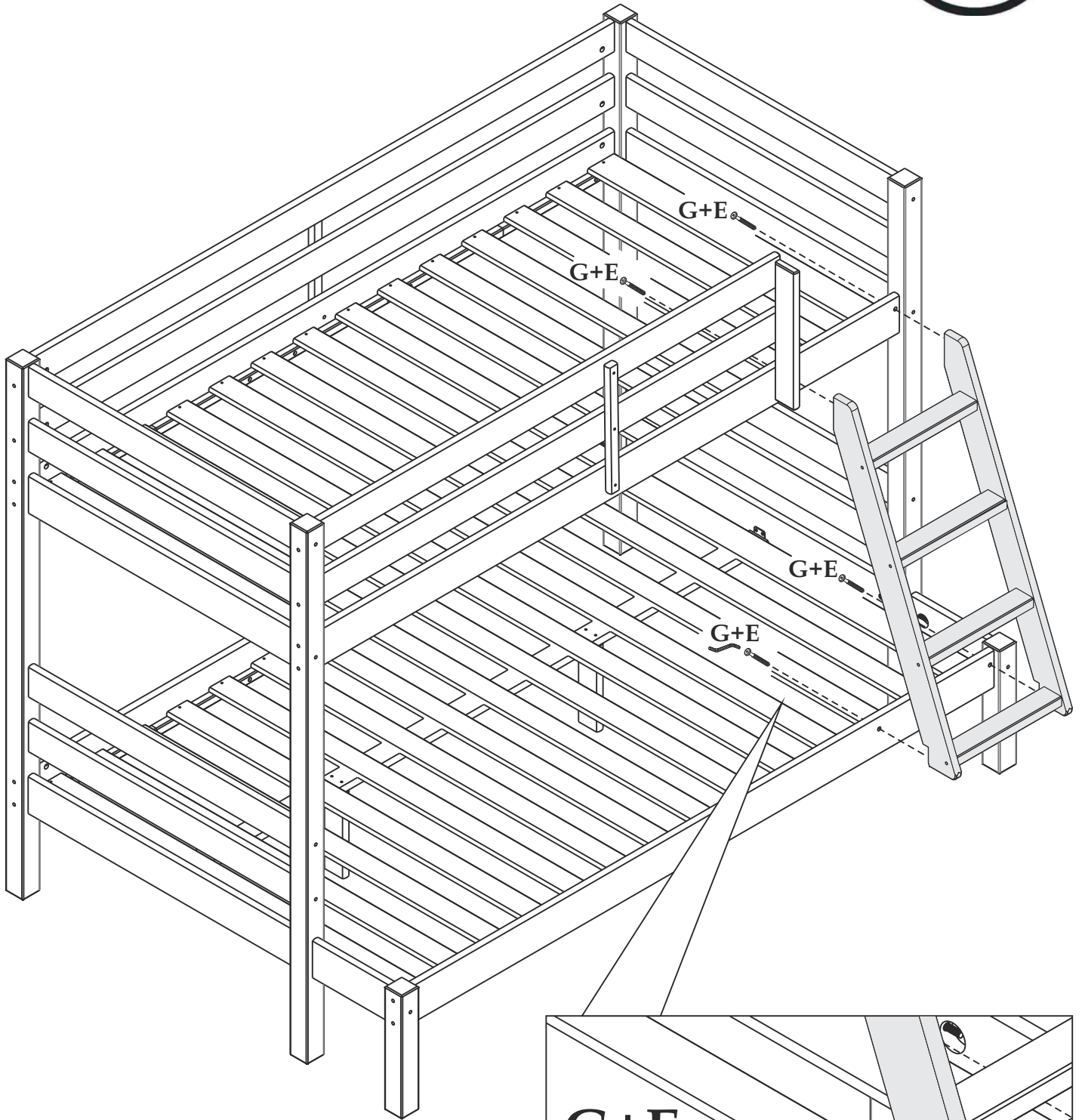
Attach the centre slat first by pushing the side rails together so that the slat is flush against the side rail, before inserting the screws.

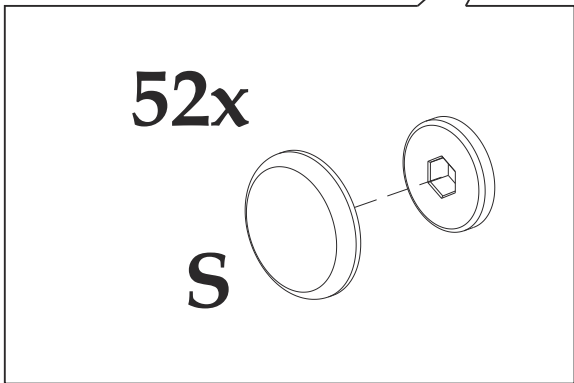
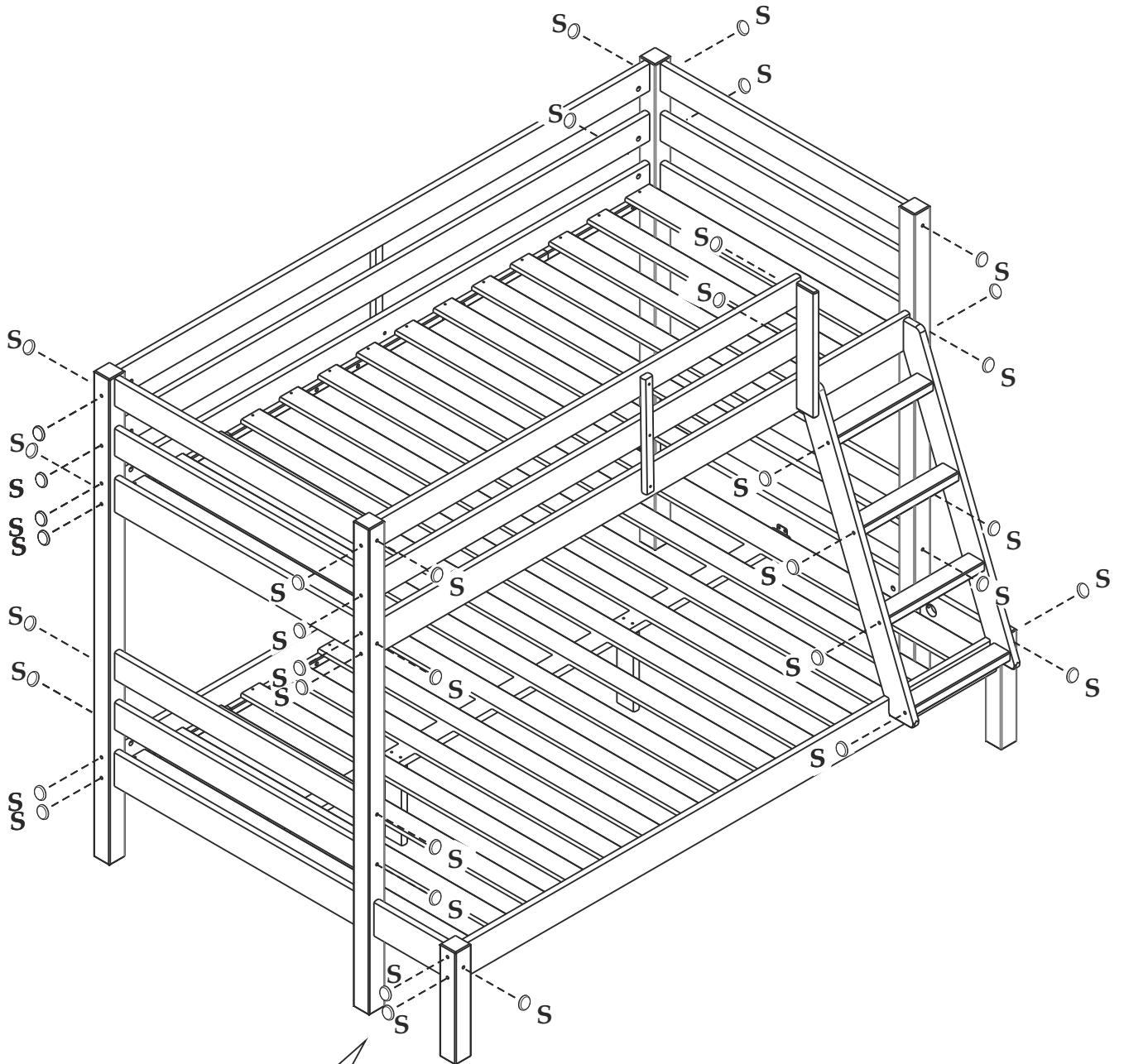
20



Next attach the remaining slats,
Place the slats onto the side rail supports and
distribute evenly by using the spacer provided.







GENERAL CARE & MAINTENANCE

We advise that when cleaning the product that a damp cloth is used.

Avoid the use of all household cleaners and abrasive.

Never push or drag the furniture.

Never attempt to move the furniture when fully loaded.

We advise that periodically all fixings are re-tightened.