

## KY411 OTTOMAN BED

Thank you for your purchase. The following care instructions will allow you to make the most of your bed; helping to prolong the look and life of it by preventing wear and damage.

### IMPORTANT INFORMATION

**PLEASE ENSURE YOU READ THIS LEAFLET BEFORE USING YOUR BED. DO NOT DISCARD OF ANY PACKAGING UNTIL YOU HAVE CHECKED THE PRODUCT THOROUGHLY.**

This bed can be assembled as an **END LIFT OR SIDE LIFT OTTOMAN**, please ensure you follow the correct steps for your desired lift.

### CARING FOR YOUR BED

- Pre-brush any fabric with a soft brush and then gently vacuum.
- Use a microfibre cloth to remove dust from wooden surfaces.
- In the event of a spill or stain, use specialist cleaning services.

### SUNLIGHT AND HEAT DAMAGE

- Avoid contact with direct sunlight. If needed, move items or change their position to avoid the same area being exposed to repeated sunlight/heat.
- Do not place your bed close to fire places and/or radiators.
- Hot objects such as mugs/plates can permanently mark fabric and wood, avoid placing these on the bed.
- Do not allow children or pets to climb or jump on the bed.
- Avoid contact with sharp objects such as buckles, toys and jewellery as these can easily snag, tear, pull and/or scratch the fabric/wood.

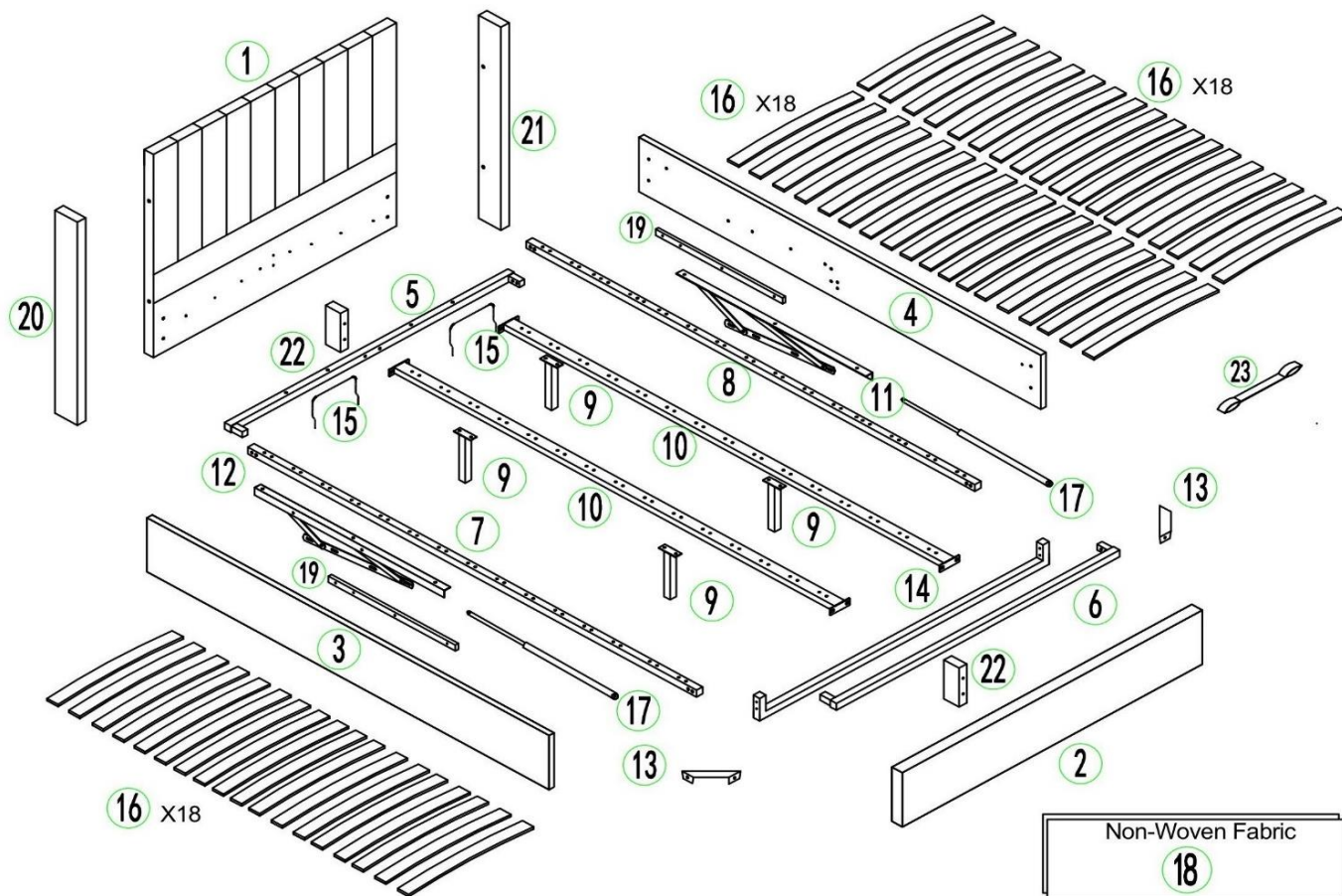
### HARDWARE LIST

Label	Picture	Description	Qty	Label	Picture	Description	Qty
A		Single Plastic Cap	36	H		Bolt M6x20	4
B		Double Plastic Cap	36	G		Bolt M8x40	4
C		Bolt M8x20	16	L		Connection Plate Left	2
E		Screw	4	R		Connection Plate Right	2
I		Washer M8	12	M		Bolt M8x35	8
F		Nut	4	N		Bolt M8x15	30
D		Bolt M6x35	4				

### TOOL LIST

Label	Picture	Description	Qty
T-2		Allen key M5	1
T-3		Allen key M4	1
T-4		Spanner	1

# COMPONENTS / PARTS

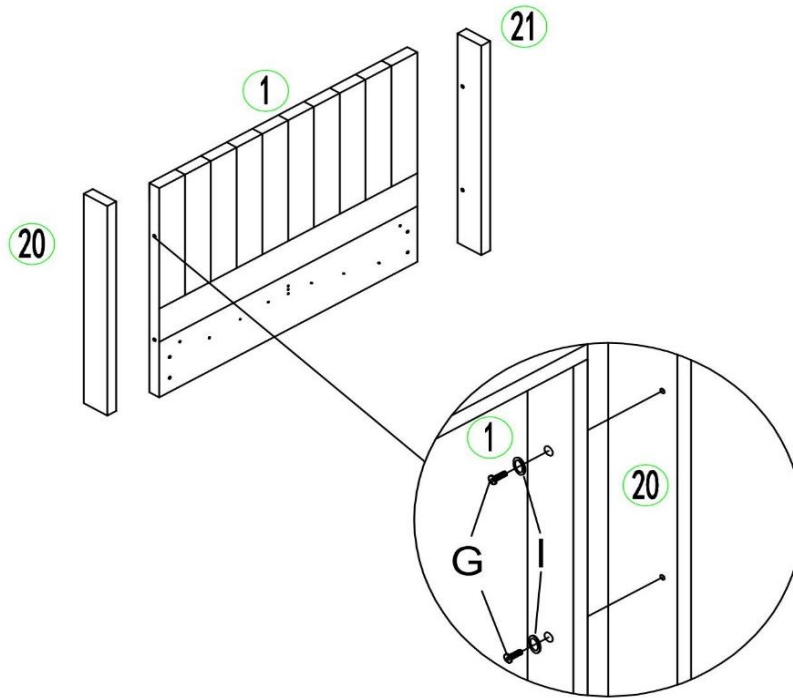


Once you have completed Steps 1 & 2, choose whether you would like END LIFT or SIDE LIFT ottoman.

For END LIFT OTTOMAN, go to Page 4.

For SIDE LIFT OTTOMAN, go to Page 6.

# Step 1



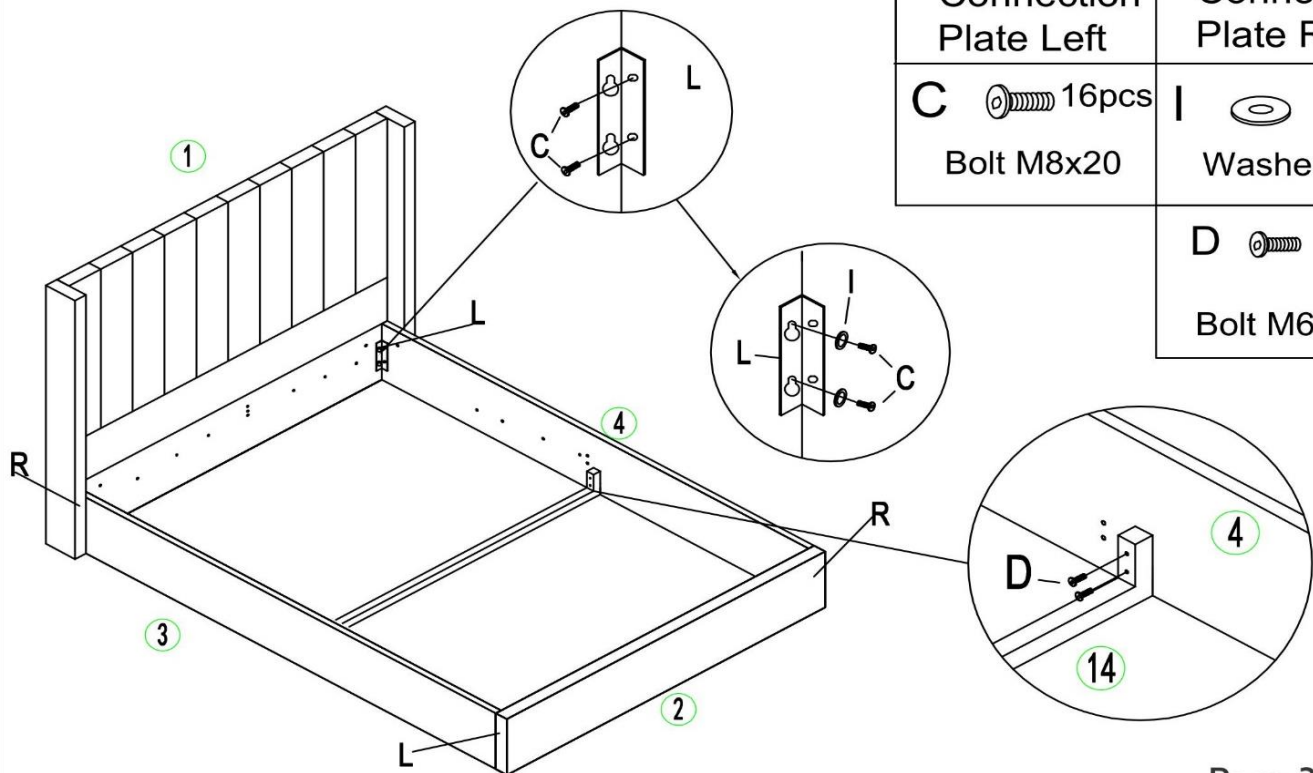
**G**  4pcs

Bolt M8x40

**I**  4pcs

Washer M8

# Step 2



**L**  2pcs  
Connection  
Plate Left

**R**  2pcs  
Connection  
Plate Right

**C**  16pcs  
Bolt M8x20

**I**  8pcs  
Washer M8

**D**  4pcs

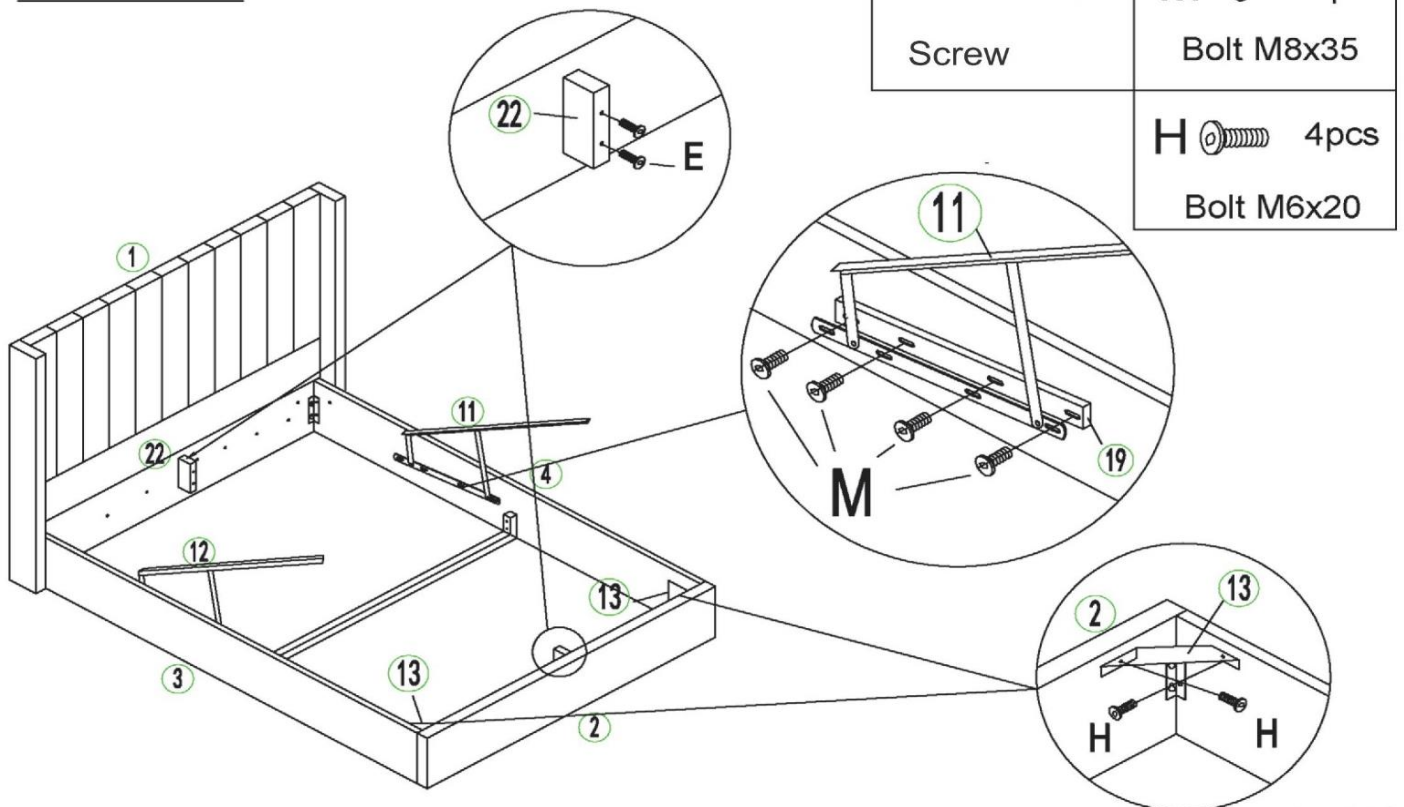
Bolt M6x35

# END LIFT OTTOMAN

Once completed go to Page 10, to complete assembly.

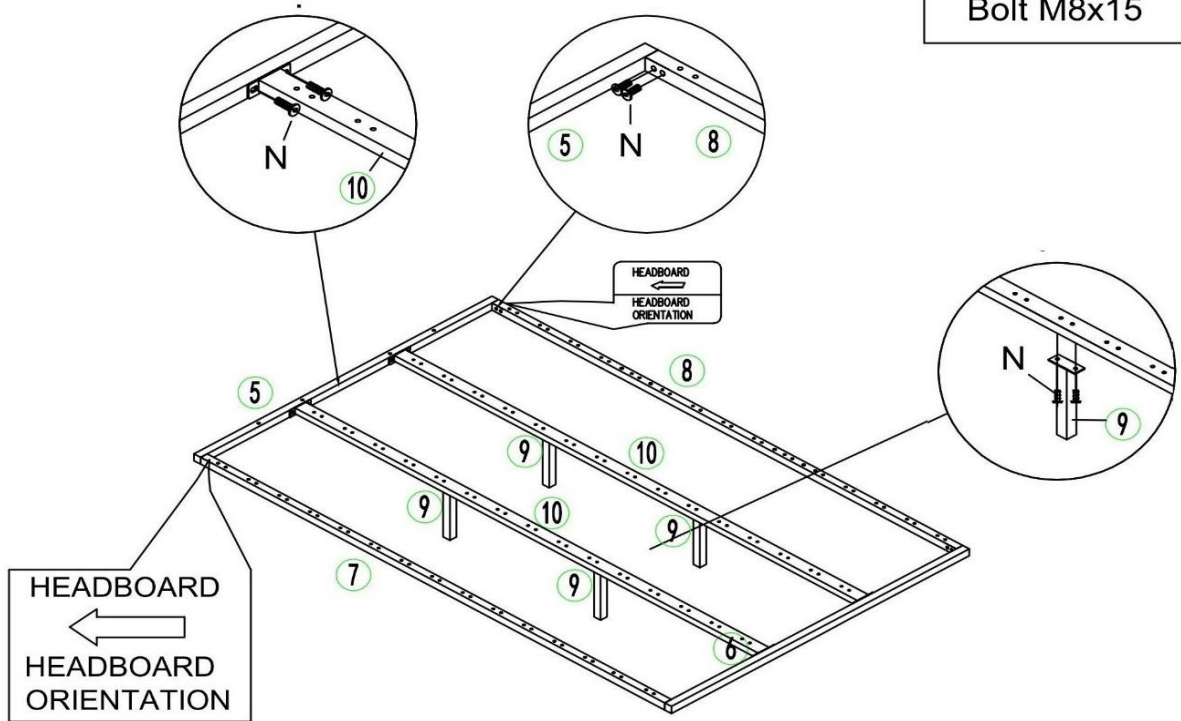
For SIDE LIFT OTTOMAN, go to Page 6.

## Step E1



# Step E2

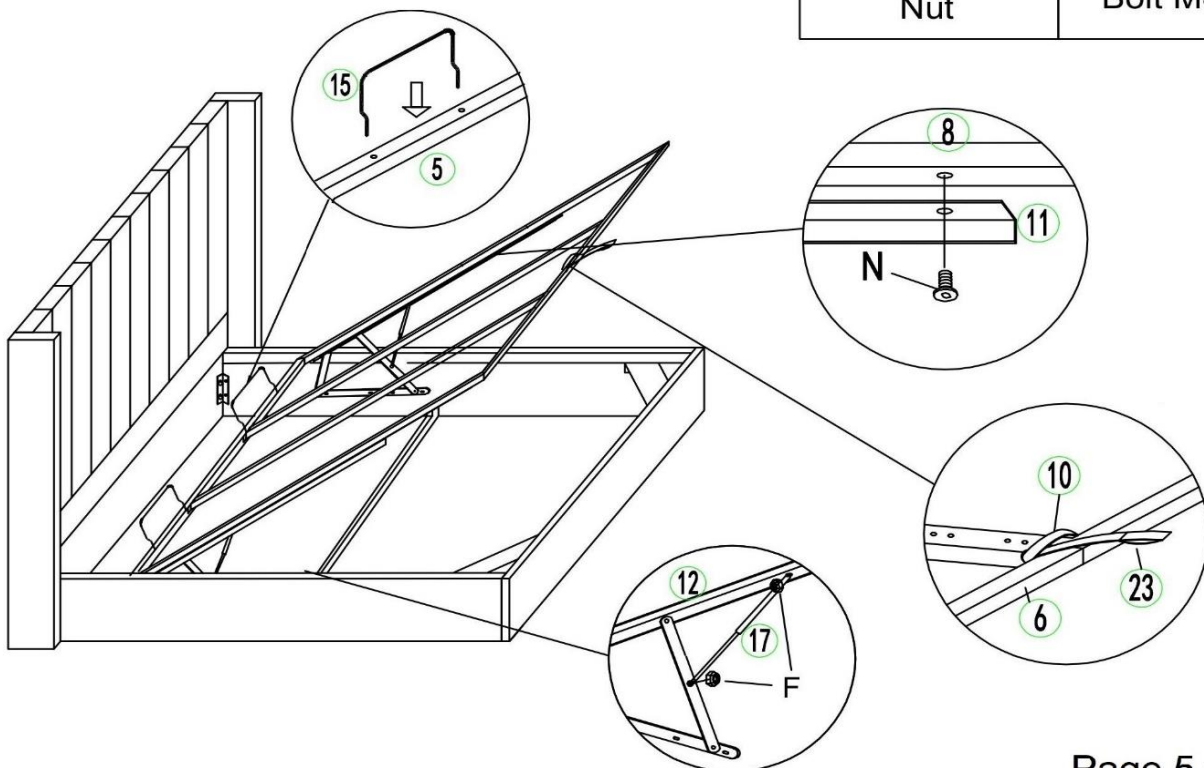
**N**  24pcs  
Bolt M8x15



# Step E3

**F**  4pcs  
Nut

**N**  6pcs  
Bolt M8x15

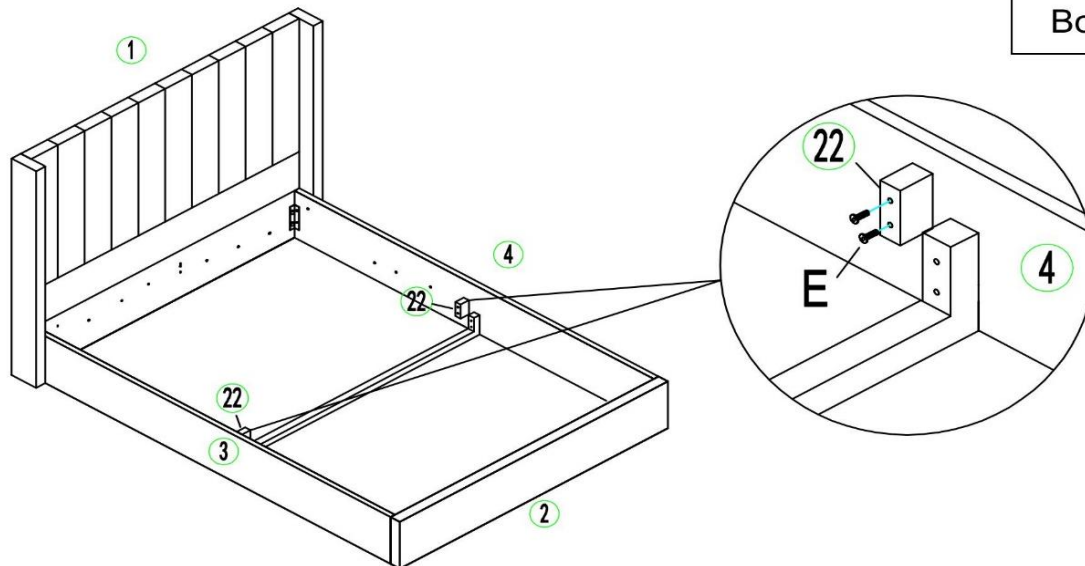


# SIDE LIFT OTTOMAN

Once completed go to Page 10, to complete assembly.

For END LIFT OTTOMAN, go to Page 4.

## Step S1





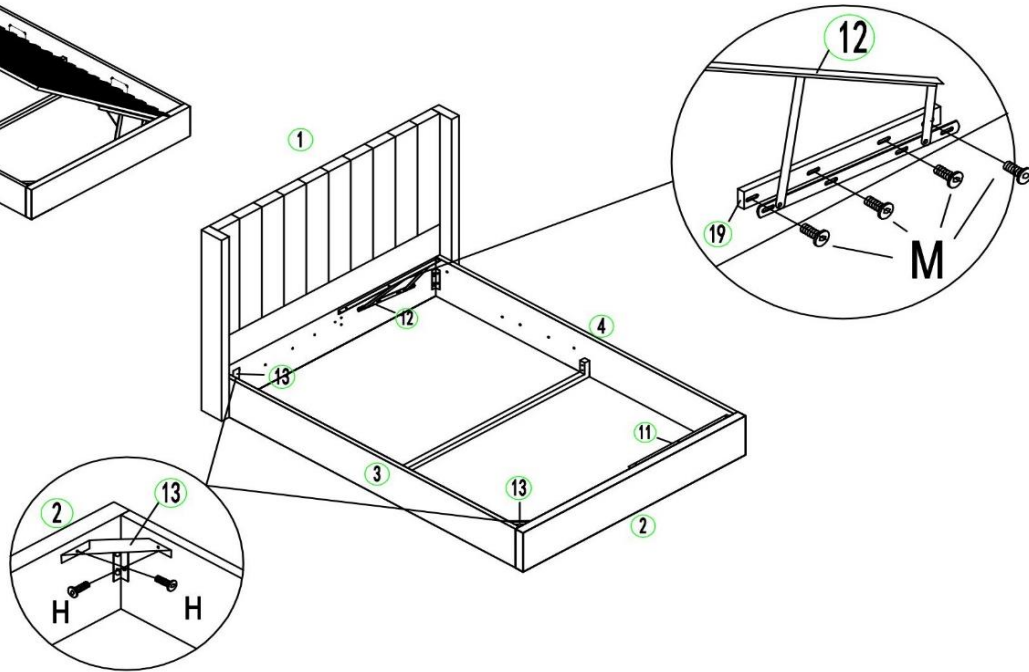
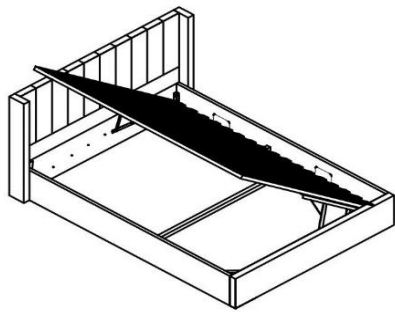
**E**  4pcs

Bolt M6x70

# Step S2

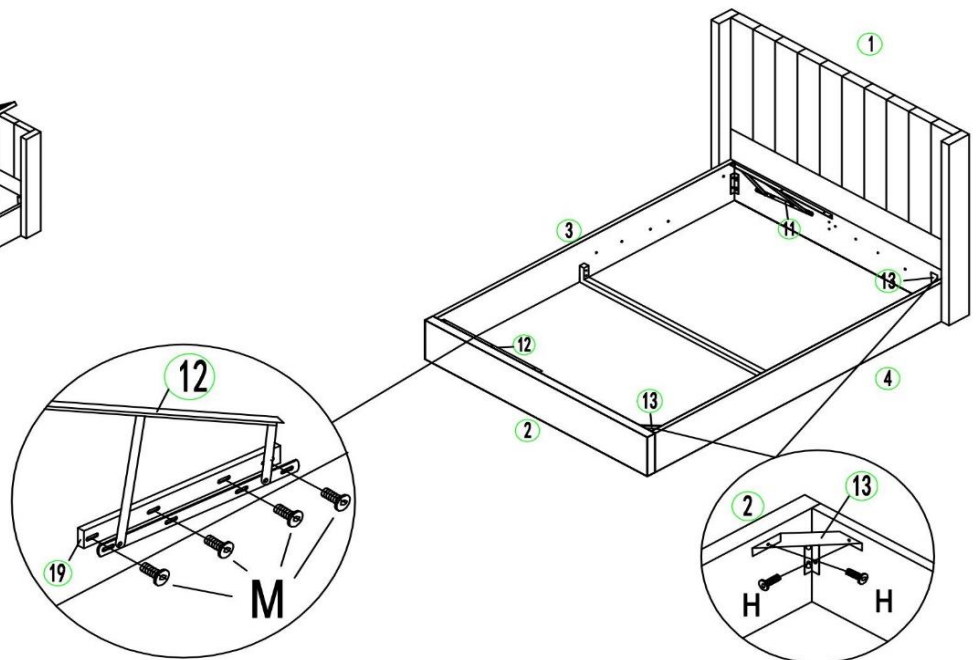
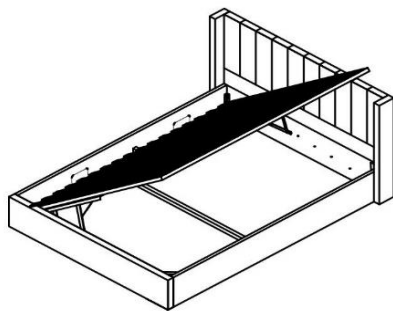
RIGHT SIDE

<b>H</b>  4pcs Bolt M6x20	<b>M</b>  8pcs Bolt M8x35
---	---



# OR

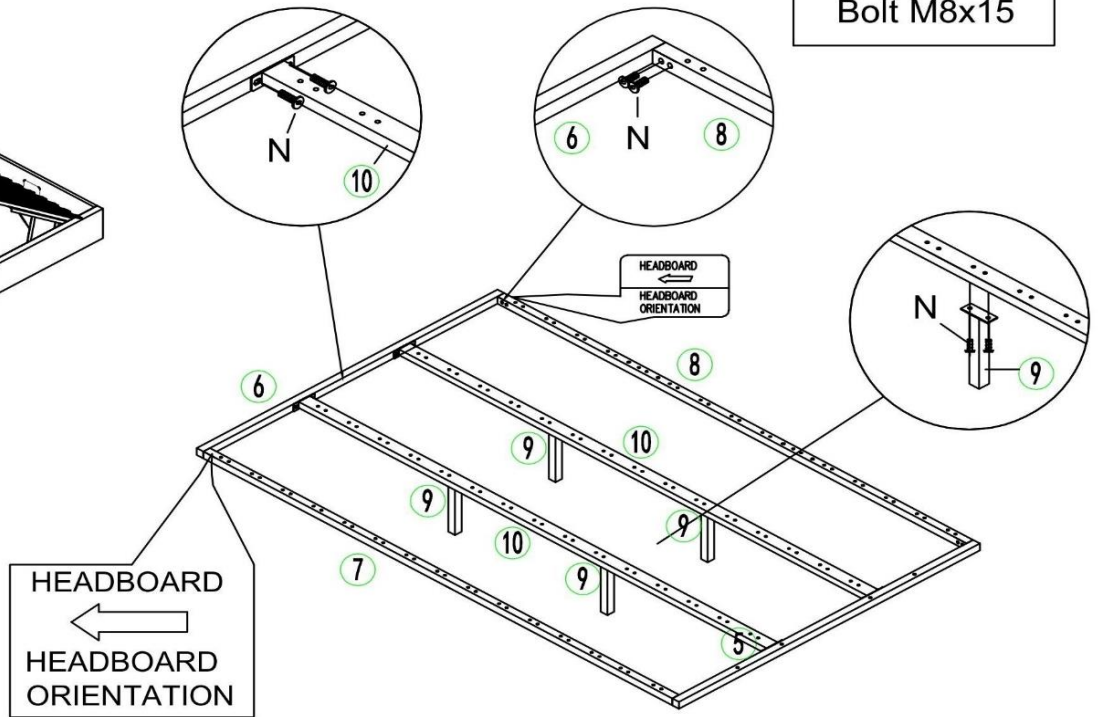
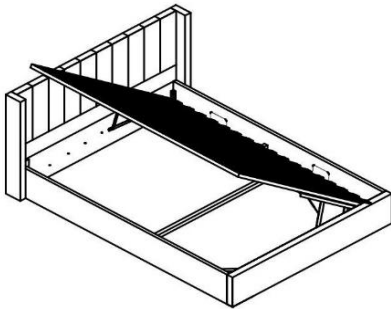
# LEFT SIDE



# Step S3

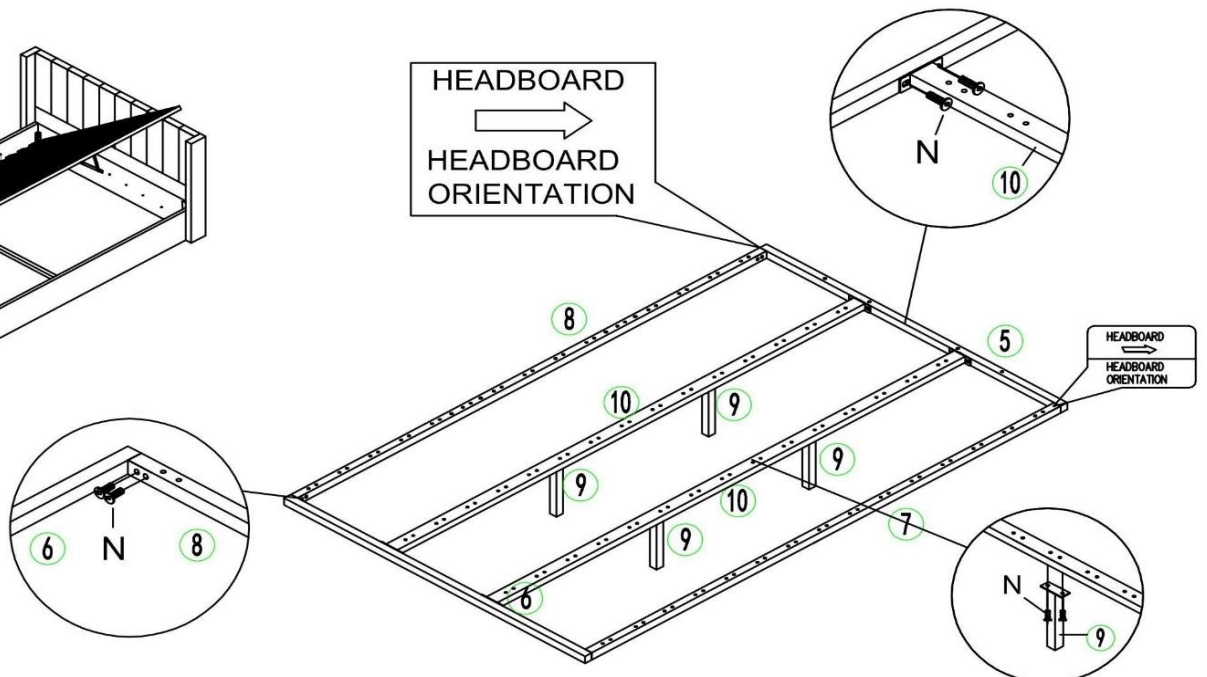
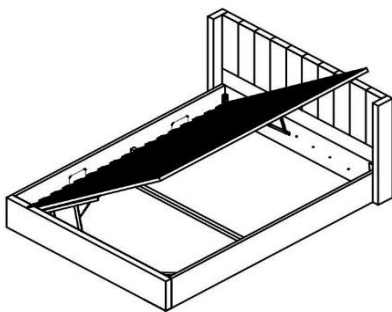
RIGHT SIDE

N  24pcs  
Bolt M8x15




# OR

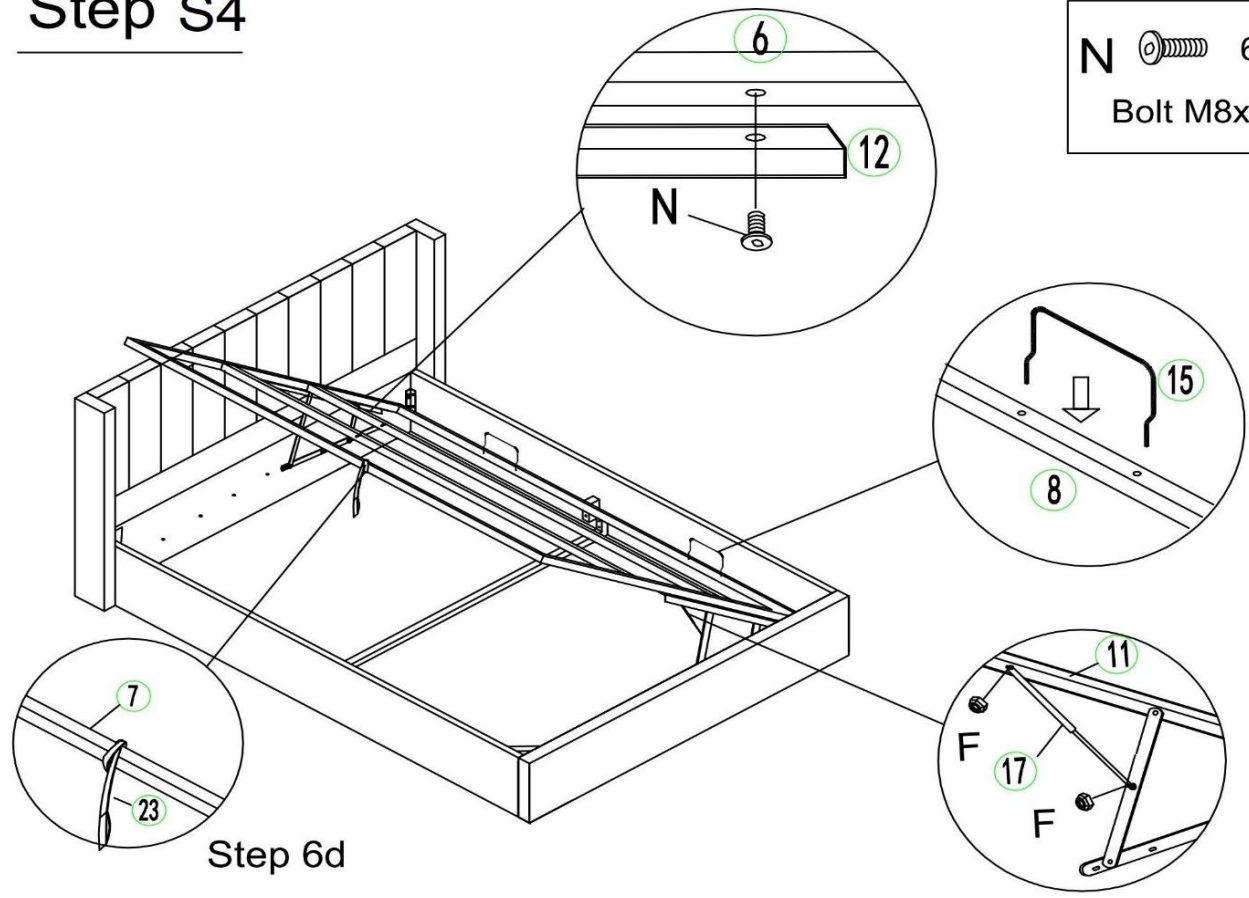
LEFT SIDE





# Step S4

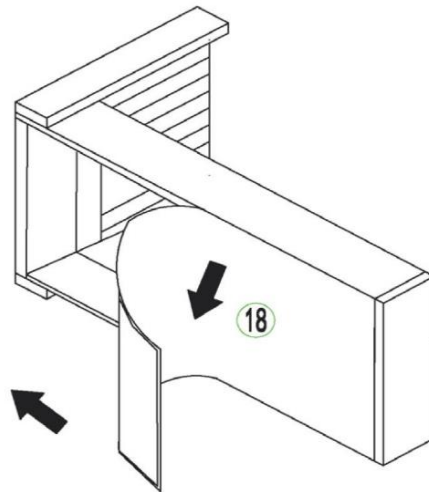
N  6pcs  
Bolt M8x15





**COMPLETE ASSEMBLY  
ON NEXT PAGE**

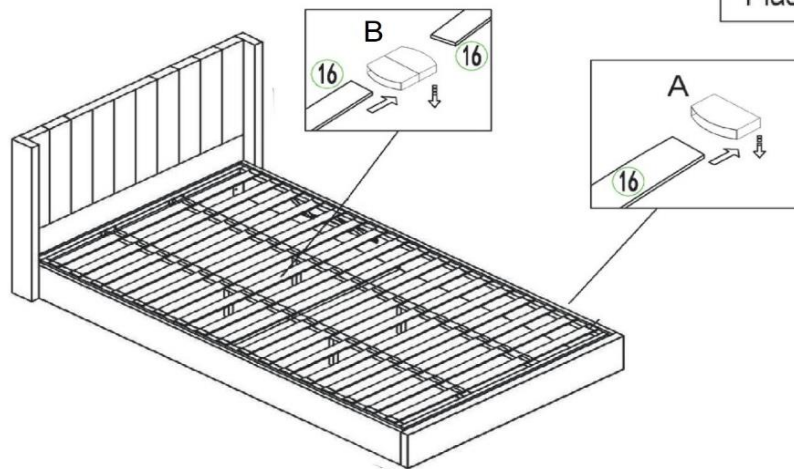
## Attach Non Woven Fabric

Turn Bed on its side and attach the fabric as shown

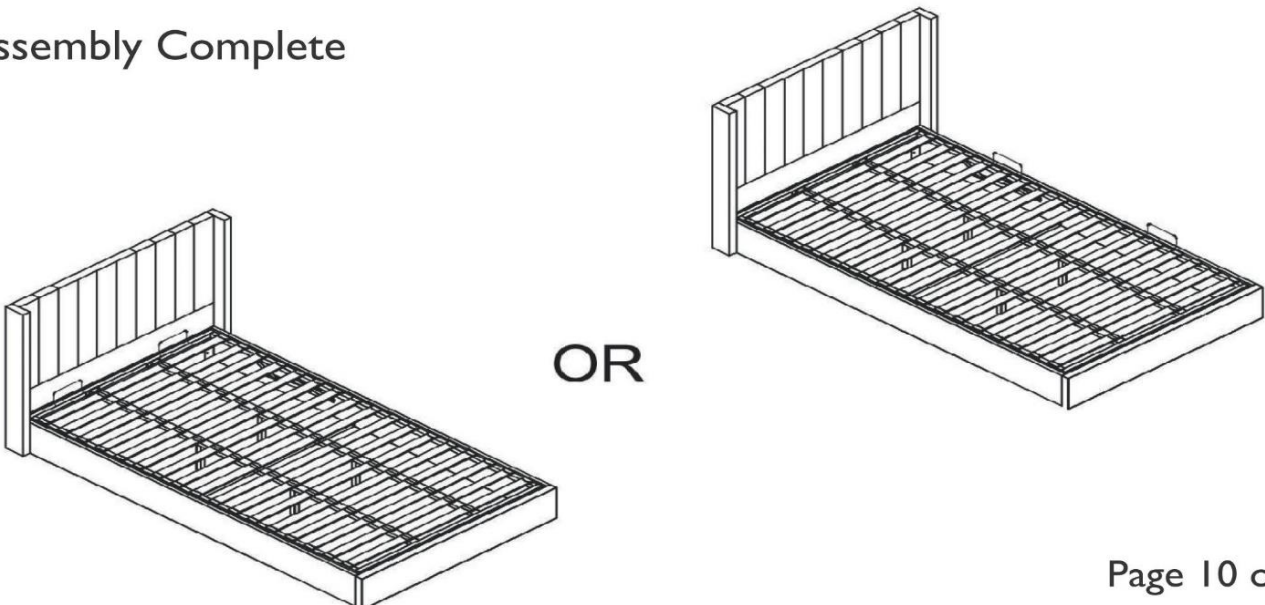


## Add slats

<b>A</b>  36pcs Single Plastic Cap	<b>B</b>  36pcs Double Plastic Cap
---	---



## Assembly Complete



## **IMPORTANT NOTICE**

### **OTTOMAN OPERATING INSTRUCTIONS**

Once your bed frame is completely assembled the slat unit will not operate correctly unless a mattress is placed on the slat frame. Position the mattress on the slat frame whilst it is in the closed position.

Operate the strap handle to open and close the ottoman. PLEASE NOTE - it takes a lot of force to make the initial movement of the ottoman. This is a design feature of the product so it does not fall shut - the nearer to being closed the ottoman is, the easier it is to move. When the ottoman is almost shut it will close completely under its own weight.

When lowering the slat unit for the first time, take care to make sure it does not rub unevenly on the inside face of the side rails. If it does, the bed has been assembled slightly out of square. This can be reflected by moving the foot end of the bed slightly to the left or right whilst leaving the head end stationary.

### **PISTONS**

The pistons used in the construction of this product are extremely strong and cannot be operated by hand when taken off the ottoman. All pistons are tested for correct pressure and operation before being attached to the slat unit.

Initially it might appear that the pistons are very stiff when opening and closing the ottoman - THIS IS PERFECTLY NORMAL.

After operating the ottoman a few times, the movement of the pistons and the opening and closing of the ottoman will become easier.

### **WARNING**

For the safety of yourselves and others, please ensure that:

- Only the handle is used when lifting and lowering the frame. Failure to comply with this warning may result in injury and finger entrapment.
- The handle is attached and always left visible on the outside of the bedstead frame.
- The metal frame is fully raised in the full 'Up' position before using the ottoman space, otherwise the frame could close (fall) or open (spring up) causing injury.
- Children and pets are not left unattended when the frame is in the lifted position as they could become trapped inside the ottoman space.
- Please keep children and pets away from the ottoman bedstead whilst opening and closing the slat frame to avoid injury.
- The items store under the bed - i.e. the top of an item must not touch the underside of the mattress metal frame base or it may get damaged.

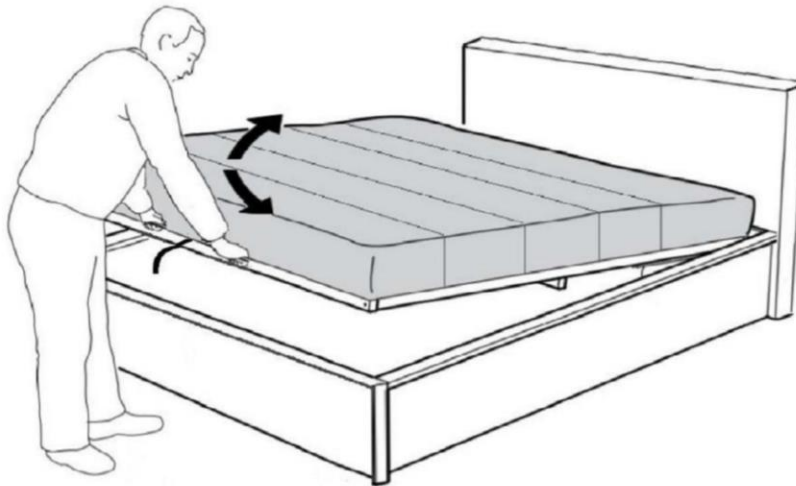
## Hints and Tips

**Failure to do so may result in injury.**

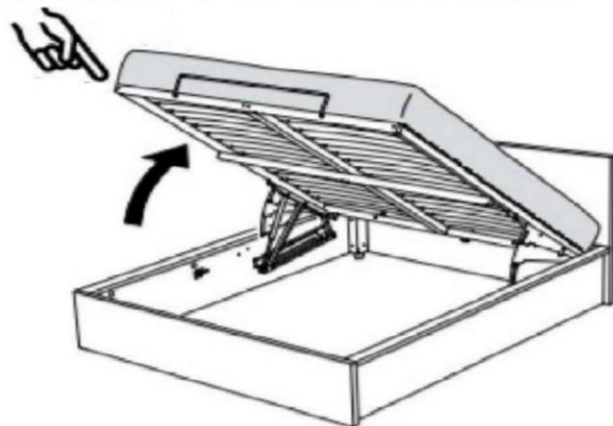
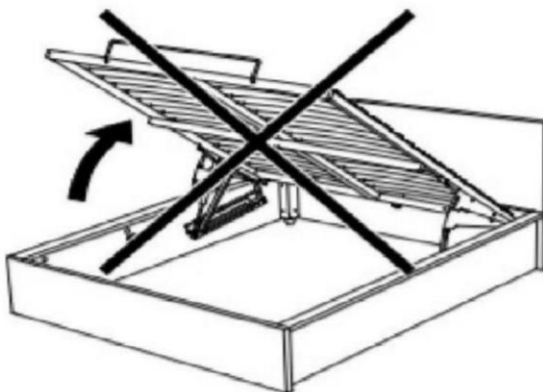
To operate the ottoman, always use two hands at arm's length to push down on the bed frame end, in between the 2 rows of slats (as shown below) to close the bed frame.

To open, lift up using the nylon strap on the bed end. You must always ensure the mattress is on the bed frame before lifting to open and close the bed frame.

The weight of the mattress loaded on the frame helps to close the bed frame easier and with less effort, also keep the frame in closed position until it is pulled upwards by user.

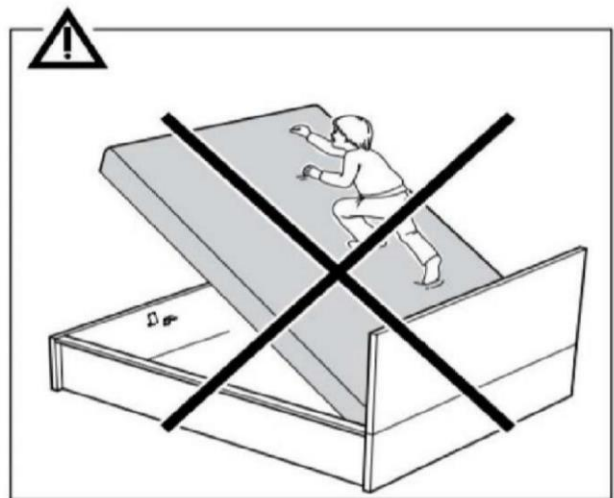
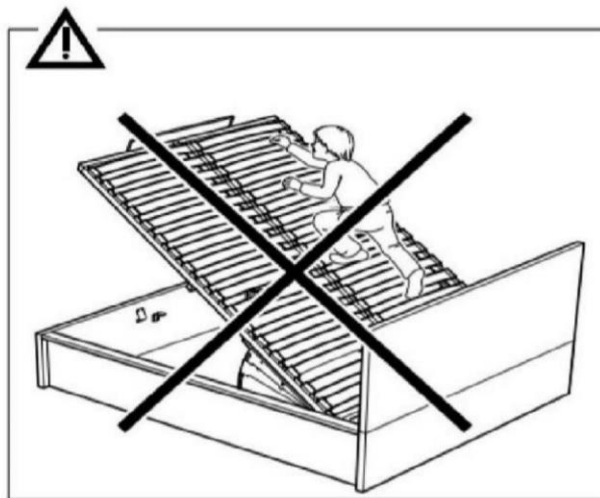
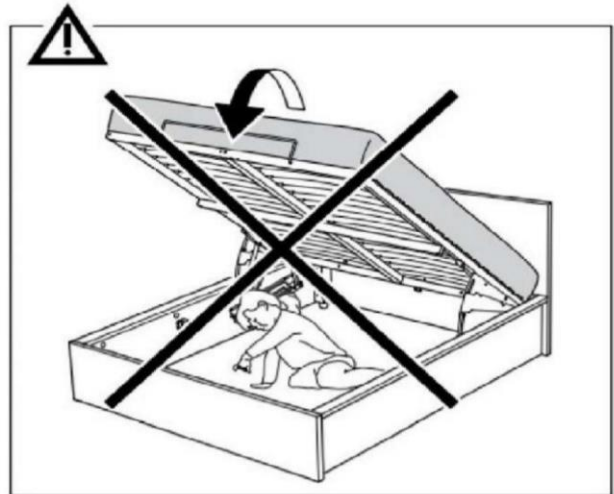
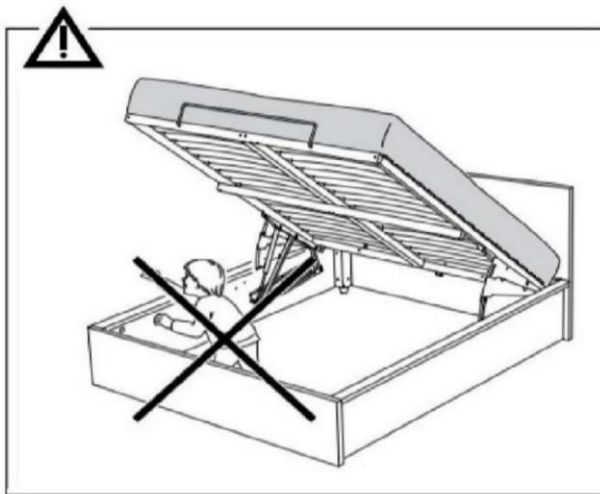


Always ensure Mattress is on the bed frame



## Hints and Tips

Failure to do so may result in injury.



Bed frame must be in **CLOSED** position, with Mattress on the bed when moving the bed.

