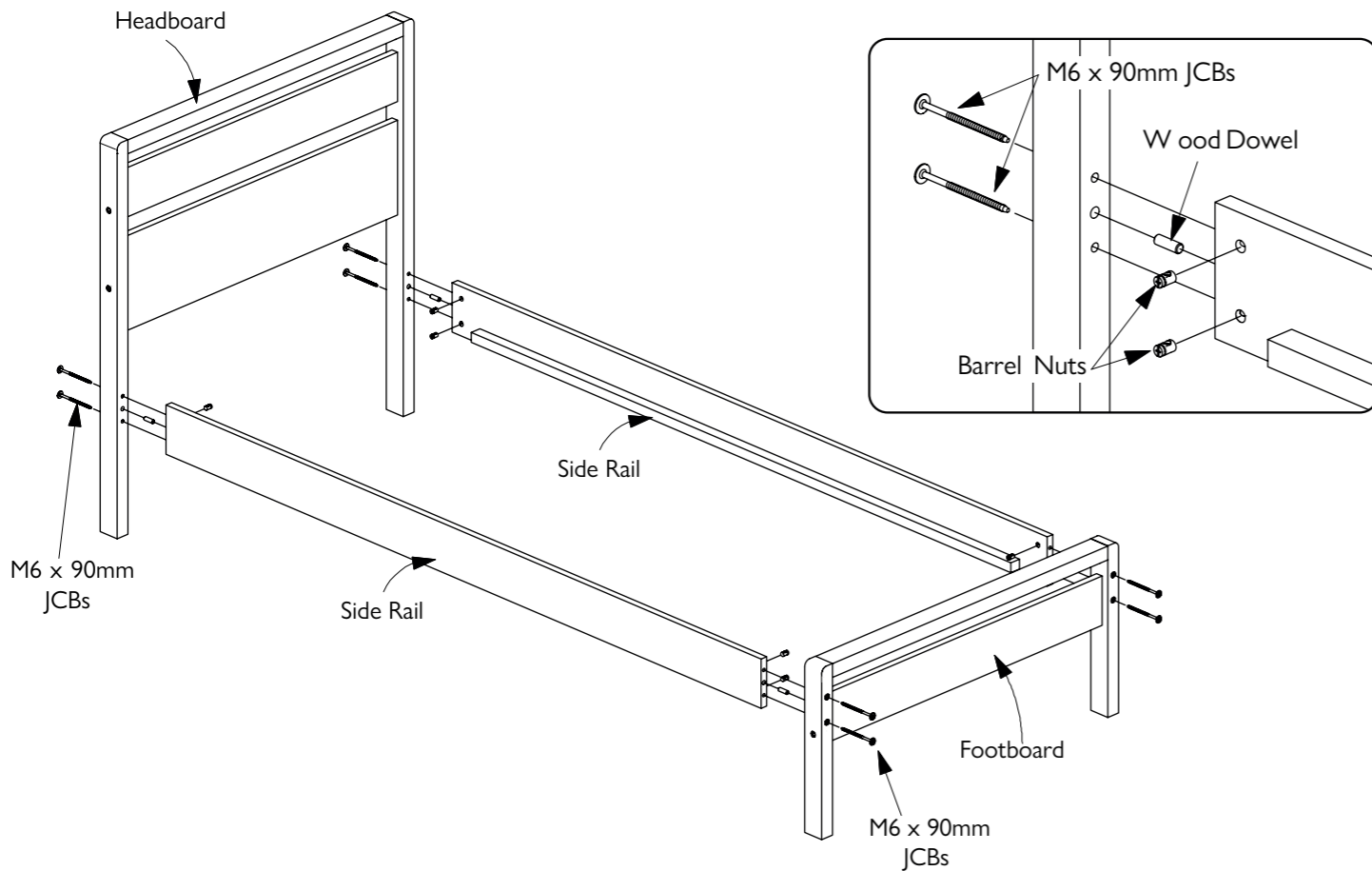


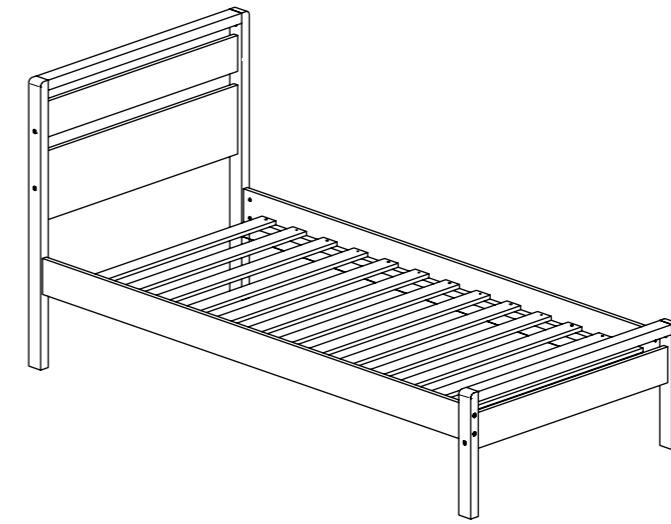
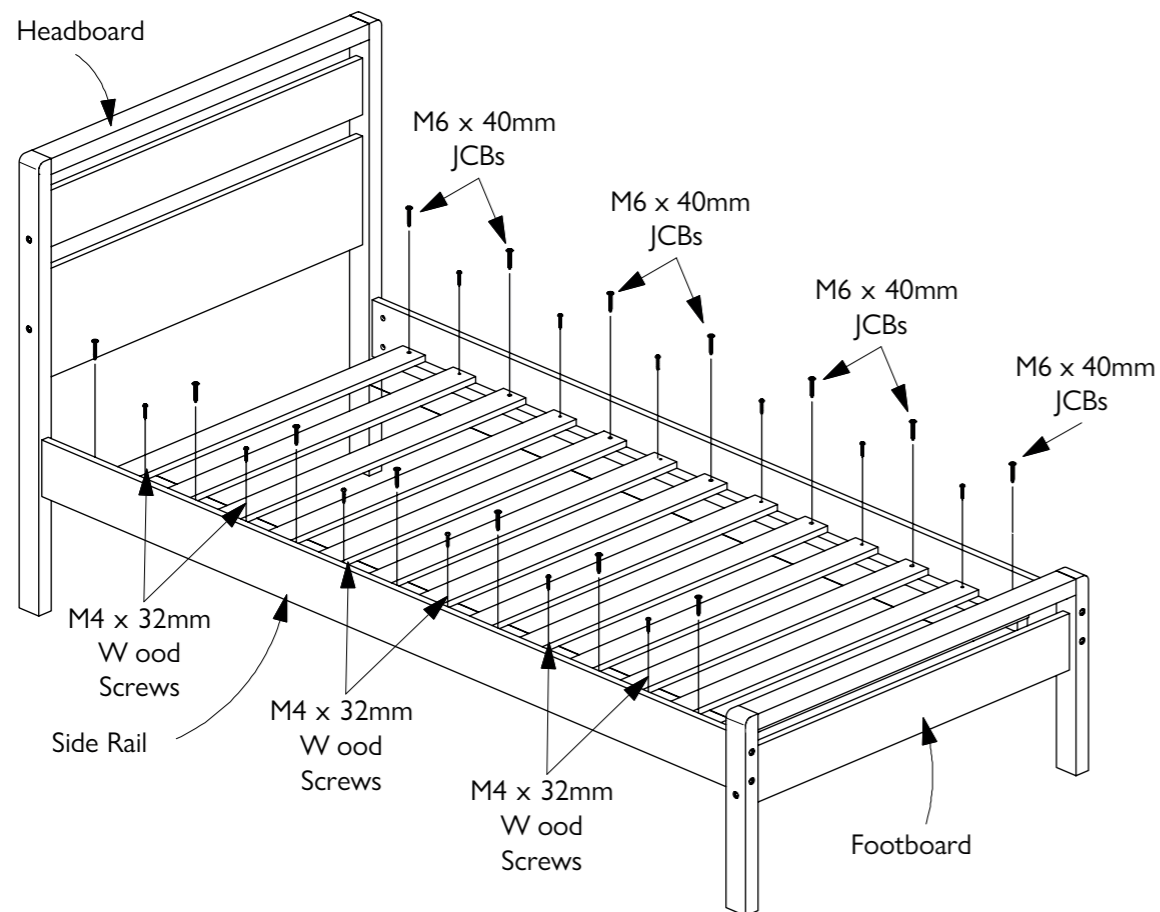
STEP 6

Attach the Side Rails to the Headboard and Footboard with Barrel Nuts, Wooden Dowels and M6 x 90mm JCB.



STEP 11

Lay the Slats, then bolt and screw these to the Side Rail.



KY291 WOODEN BED

Thank you for your purchase. The following care instructions will allow you to make the most of your bed; helping to prolong the look and life of it by preventing wear and damage.

IMPORTANT INFORMATION

**PLEASE ENSURE YOU READ THIS LEAFLET BEFORE USING YOUR BED.
DO NOT DISCARD OF ANY PACKAGING UNTIL YOU HAVE CHECKED THE PRODUCT THOROUGHLY.**

CARING FOR YOUR BED

- Pre-brush any fabric with a soft brush and then gently vacuum.
- Use a microfibre cloth to remove dust from wooden surfaces.
- In the event of a spill or stain, use specialist cleaning services.

SUNLIGHT AND HEAT DAMAGE

- Avoid contact with direct sunlight. If needed, move items or change their position to avoid the same area being exposed to repeated sunlight/heat.
- Do not place your bed close to fire places and/or radiators.
- Hot objects such as mugs/plates can permanently mark fabric and wood, avoid placing these on the bed.
- Do not allow children or pets to climb or jump on the bed.
- Avoid contact with sharp objects such as buckles, toys and jewellery as these can easily snag, tear, pull and/or scratch the fabric/wood.

PARTS LIST

BOX 1			BOX 2		
IMAGE	DESCRIPTION	QTY	IMAGE	DESCRIPTION	QTY
	Top Cap	2		Headboard Post (Left)	1
	Head/Footboard Top Panel	2		Headboard Post (Right)	1
	Headboard Bottom Panel	1		Side Rail	2
	Bed Slats	1 pack		Footboard Post (Left)	1
				Footboard Post (Right)	1

HARDWARE LIST

NO	IMAGE	DESCRIPTION	QTY	NO	IMAGE	DESCRIPTION	QTY
1		M6 x 90mm JCB	8	6		M10 x 40mm Wooden Dowel	12
2		M6 x 70mm JCB	6	7		Dowel Barrel Nut	14
3		M6 x 40mm JCB	14	8		'L' Bracket	4
4		M6 x 15mm JCB	8	9		Allen Key	1
5		M4 x 32mm Wood Screw	12				

ASSEMBLY INSTRUCTIONS

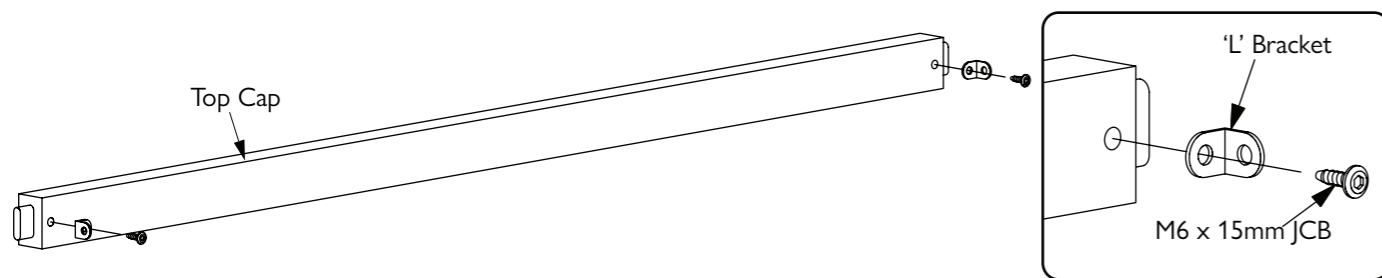
Unpack your bed and check that all the items on the Parts and Hardware Lists are present. If any are missing, please contact the retailer from whom you purchased the product.

We would advise two people to assemble this product.

Avoid using power tools for assembly as this can cause bolts to be overtightened and/or frame damage.

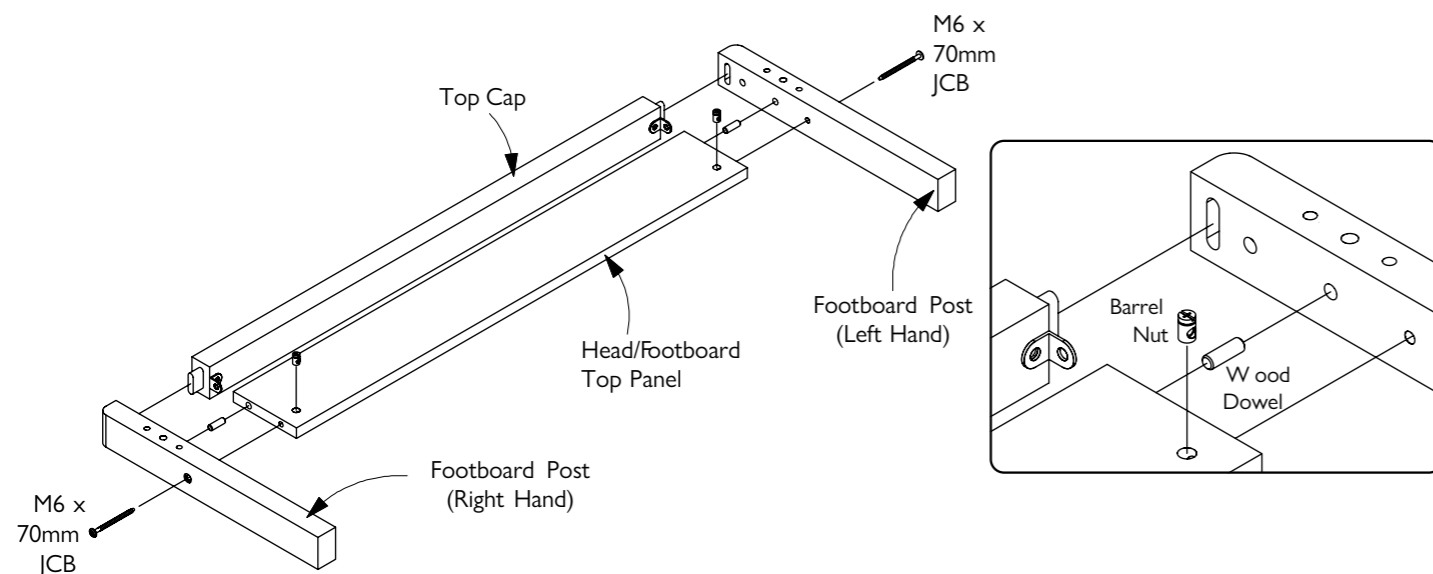
STEP 1

Fix the 'L' Brackets to the Top Caps using M6 x 15mm JCB.



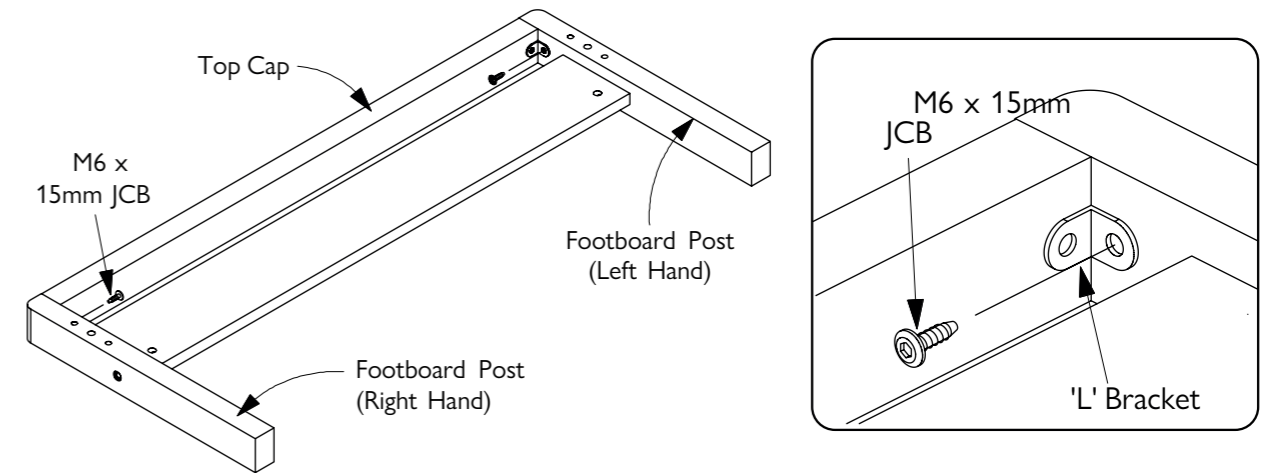
STEP 2

Attach the Footboard Posts to the Top Cap and Footboard Top Panel using Barrel Nuts, Wooden Dowels and M6 x 70mm JCB.



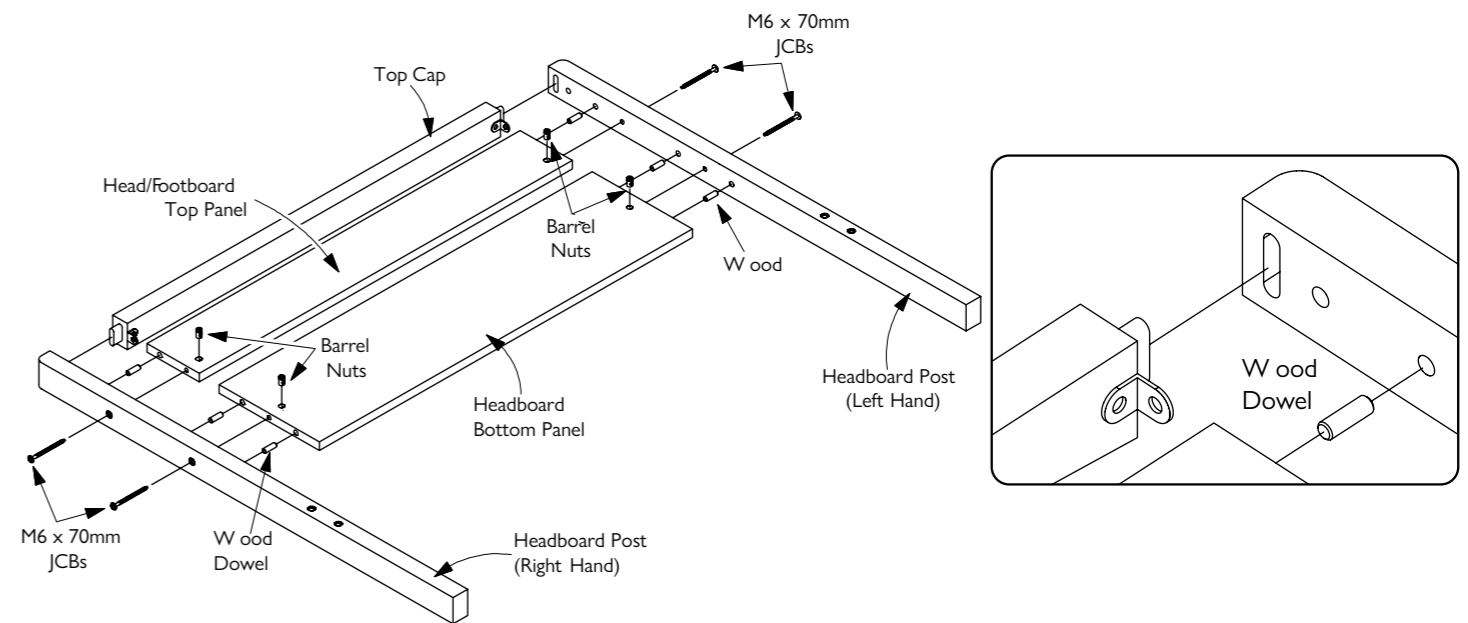
STEP 3

Bolt the 'L' Brackets to the Footboard Posts using M6 x 15mm JCB.



STEP 4

Attach the Headboard Panels and Top Cap to the Headboard Posts using Barrel Nuts, Wooden Dowels and M6 x 70mm JCB.



STEP 5

Bolt the 'L' Brackets to the Headboard Posts using M6 x 15mm JCB.

