







ASSEMBLY INSTRUCTION

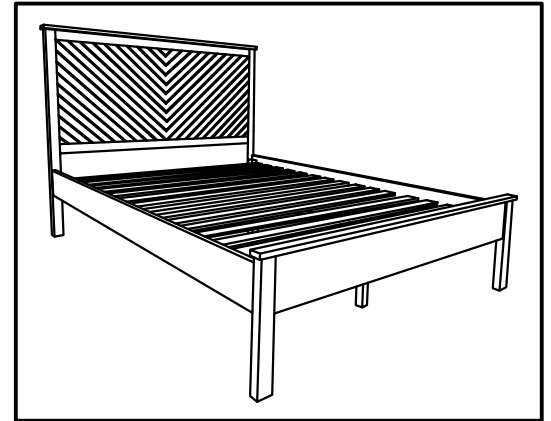
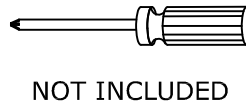
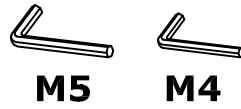
CHEVRON
KING BED

Hardware

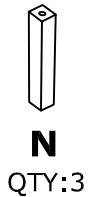
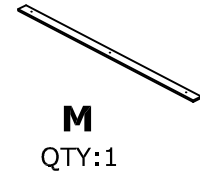
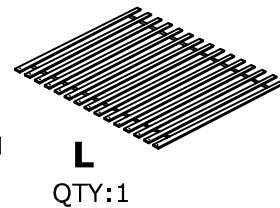
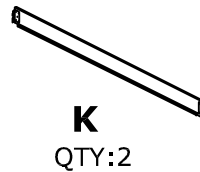
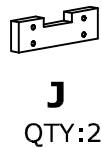
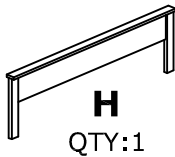
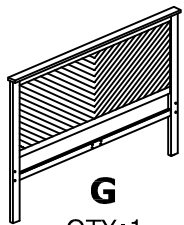
ITEM	IMAGE	DESCRIPTION	QTY
A		M8 x 25mm JCBC Screw	8
B		M6 x 30mm JCBC Screw	8
C		M6 x 40mm JCBC Screw	3
D		M6 x 13mm Flat Washer	11
E		M4 x 32mm Wood Screw	32
F		Adjustable Leg	3

Tools Required

Power tools NOT recommended

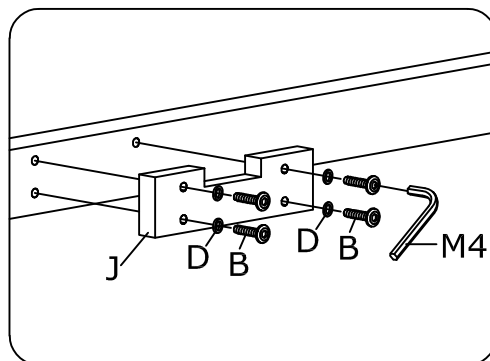


Components

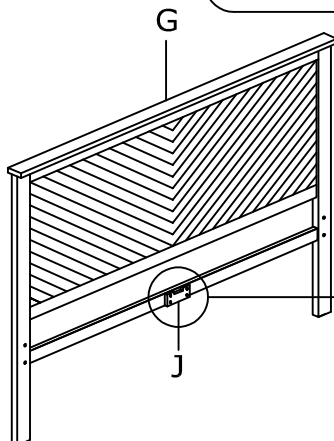


Assembly Instruction

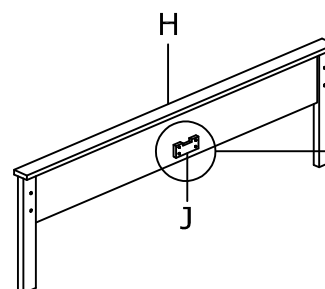
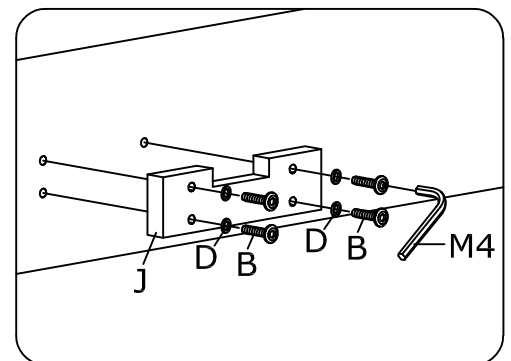
1



2X



2



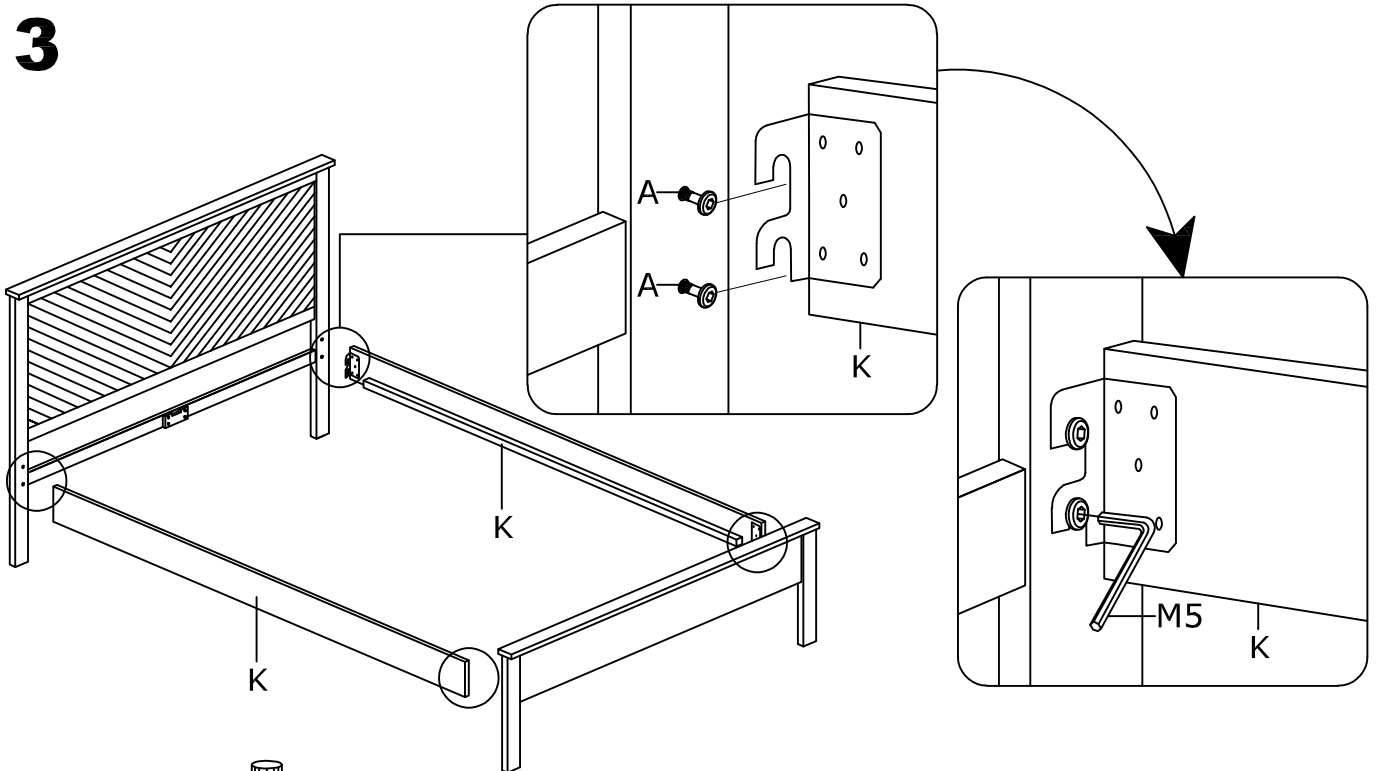
For user safety periodically verify and tighten all fittings.

13.04.2023 KB v_1-Chevron King Bed

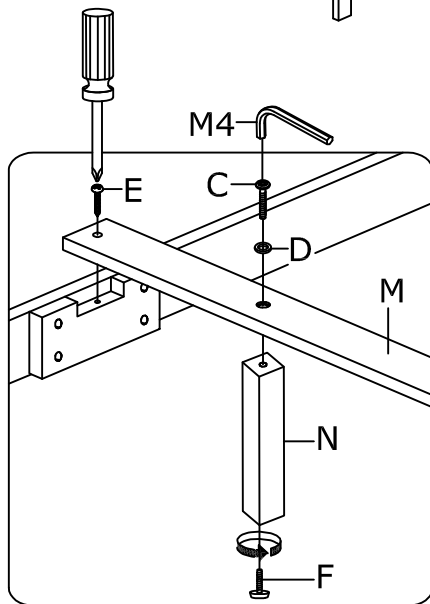
ASSEMBLY INSTRUCTION

CHEVRON
KING BED

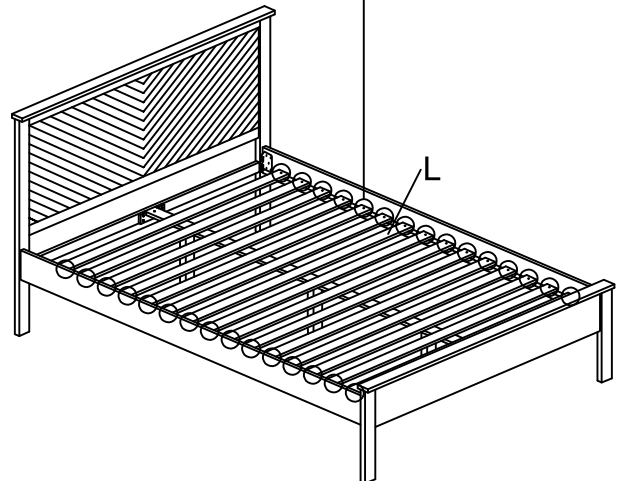
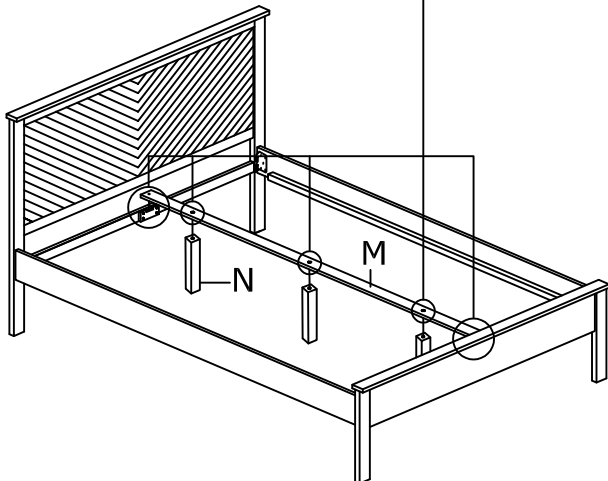
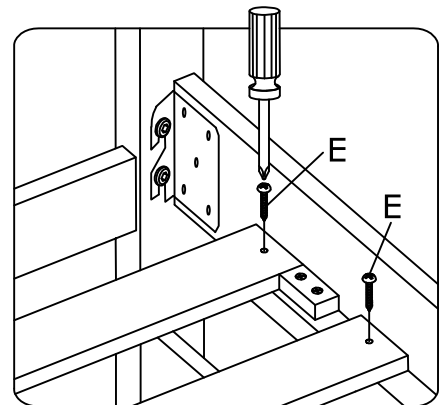
3



4



5



For user safety periodically verify and tighten all fittings.

13.04.2023 KB v_1-Chevron King Bed