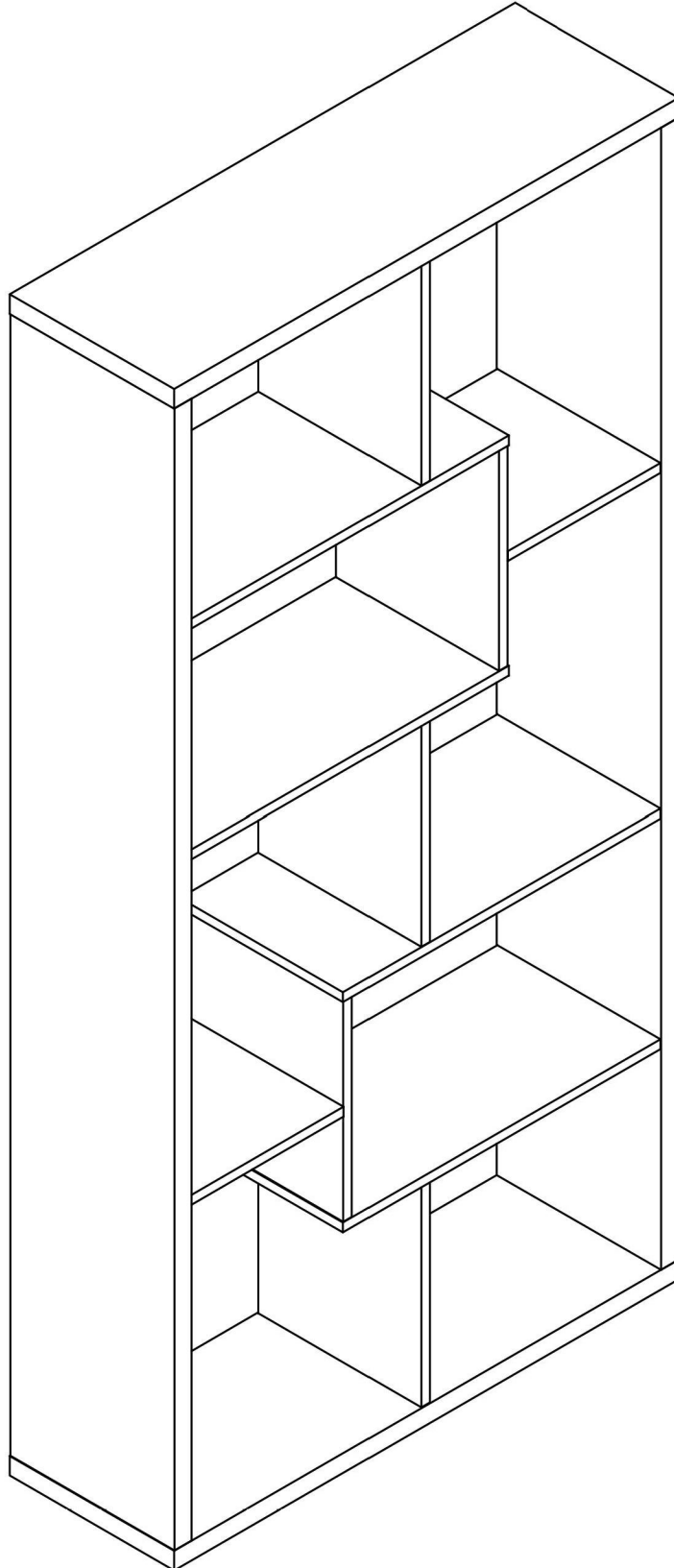


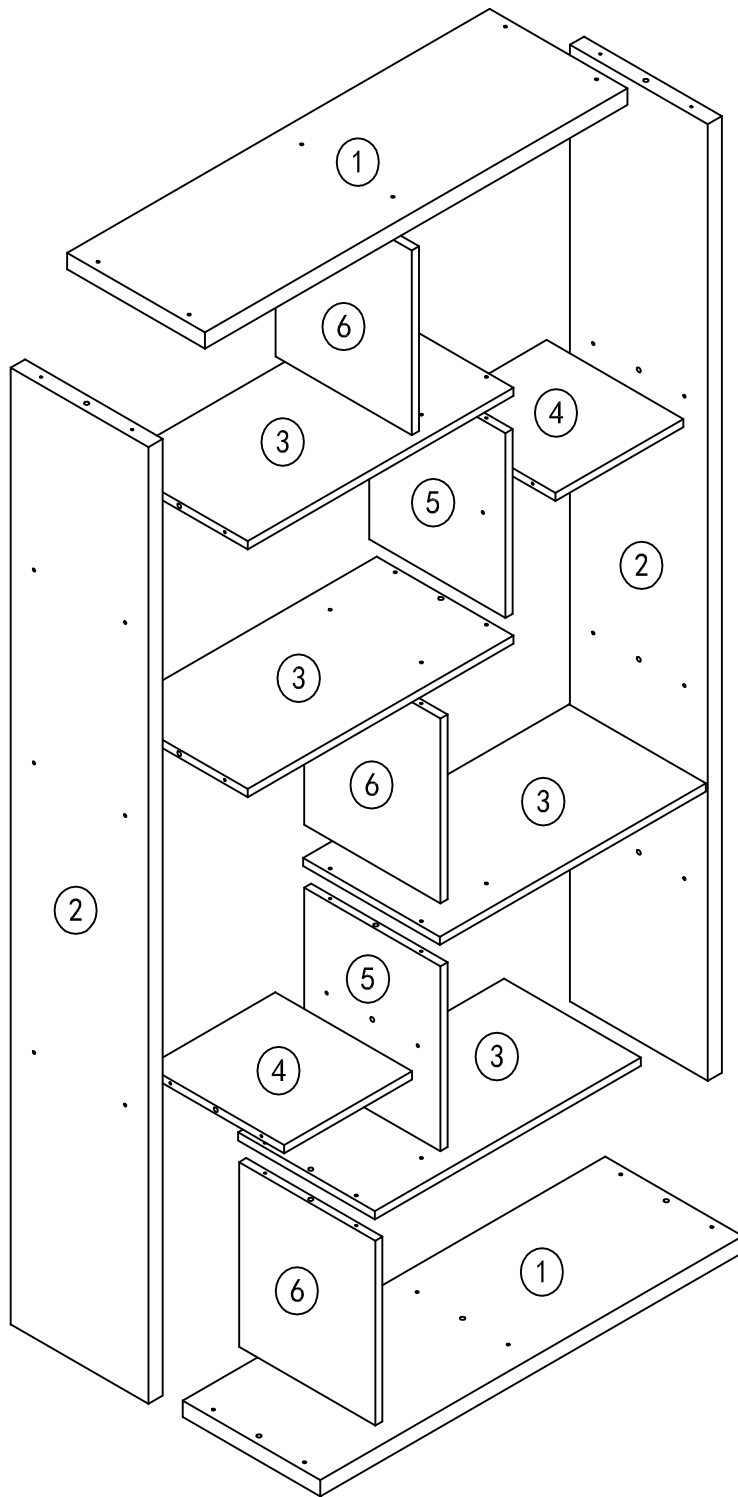
# LPD HOME™

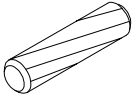

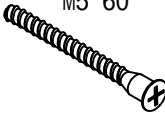


## ASSEMBLY INSTRUCTION QUEBEC BLACK SHELVING UNIT

Please read before you continue further

PLEASE KEEP THE ORIGINAL PACKAGING UNTIL THE ITEM IS FULLY ASSEMBLED AND IN PLACE. IN THE UNLIKELY EVENT THAT YOU NEED TO RETURN YOUR PRODUCT, IT MUST BE RETURNED IN ITS ORIGINAL PACKAGING TO AVOID FURTHER DAMAGE. FAILURE TO FOLLOW THESE PROCEDURES, NO RETURNS WILL BE ACCEPTED.

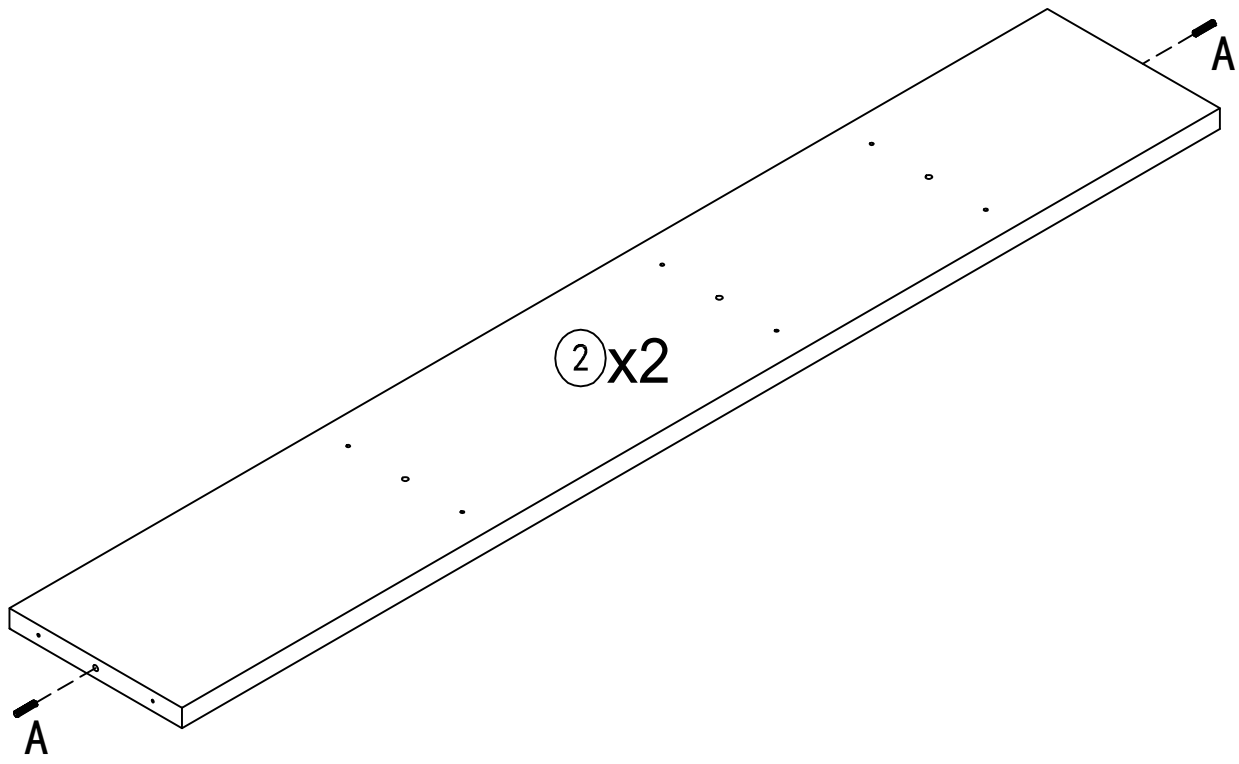





<b>A</b> 22PCS 	<b>B</b> 20PCS M5*40 	<b>C</b> 24PCS M5*60 
<b>D</b> 6PCS 	<b>E</b> 38PCS 	

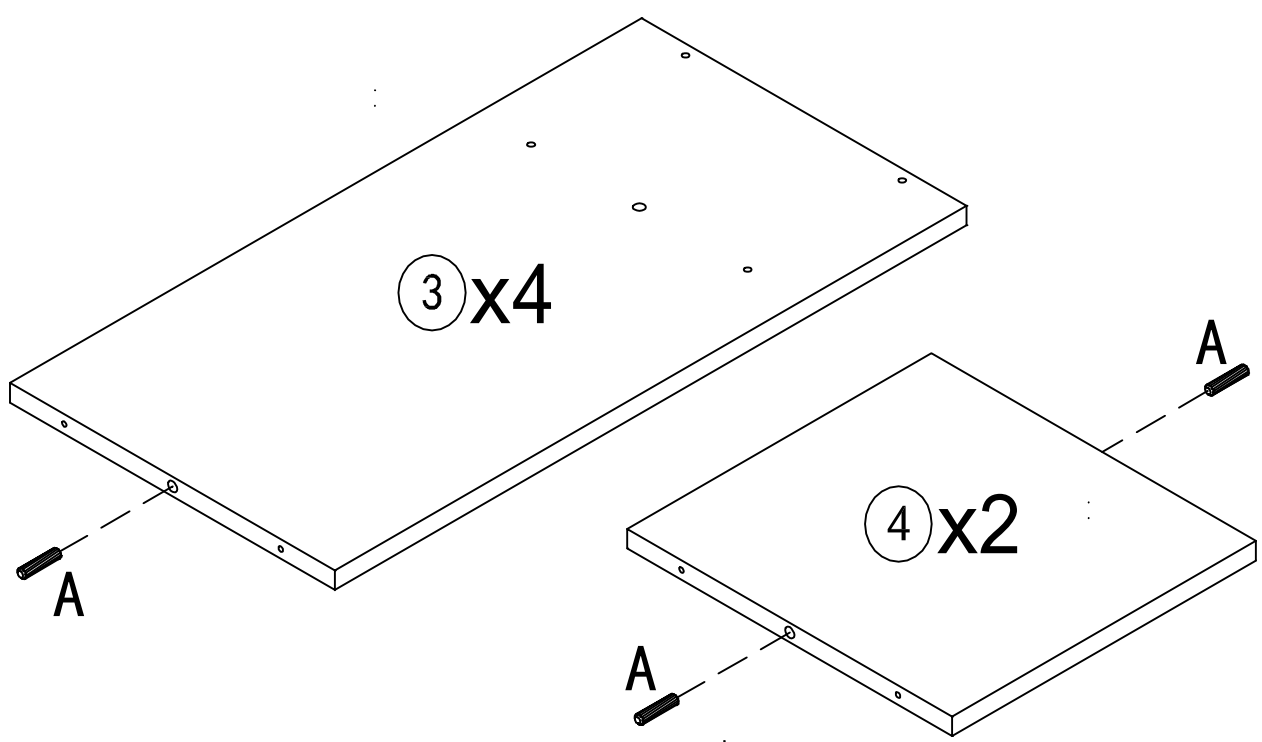

1

A 4PCS

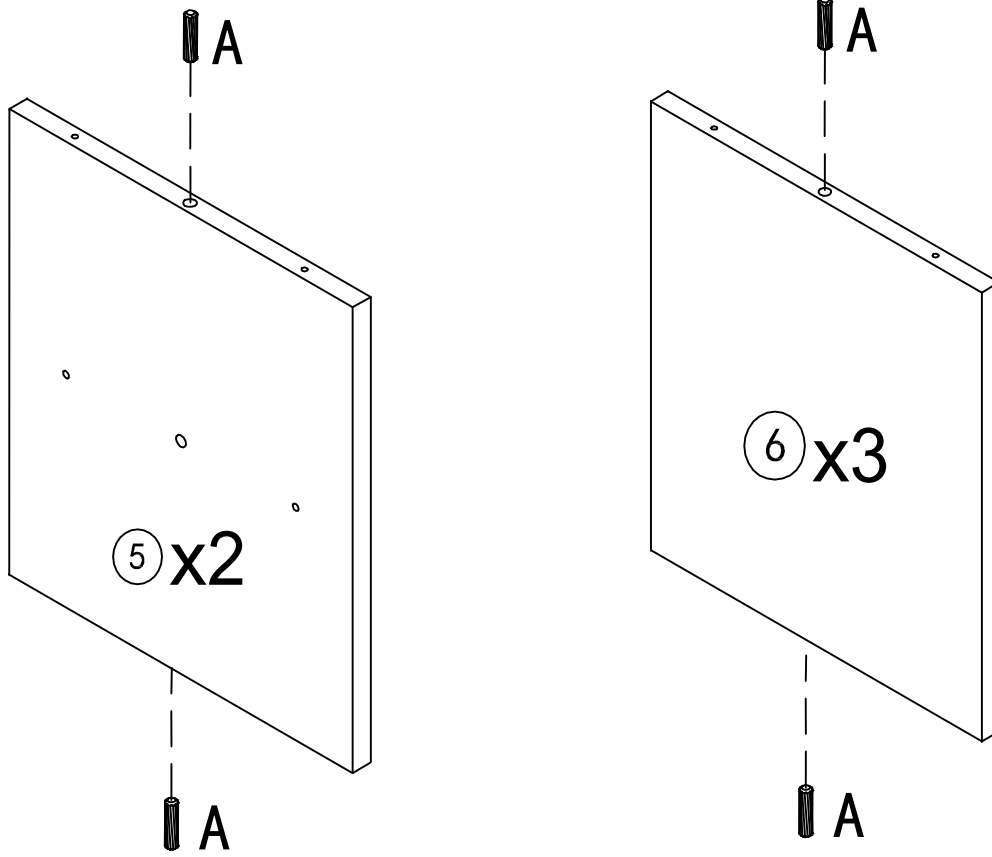


2

A 8PCS



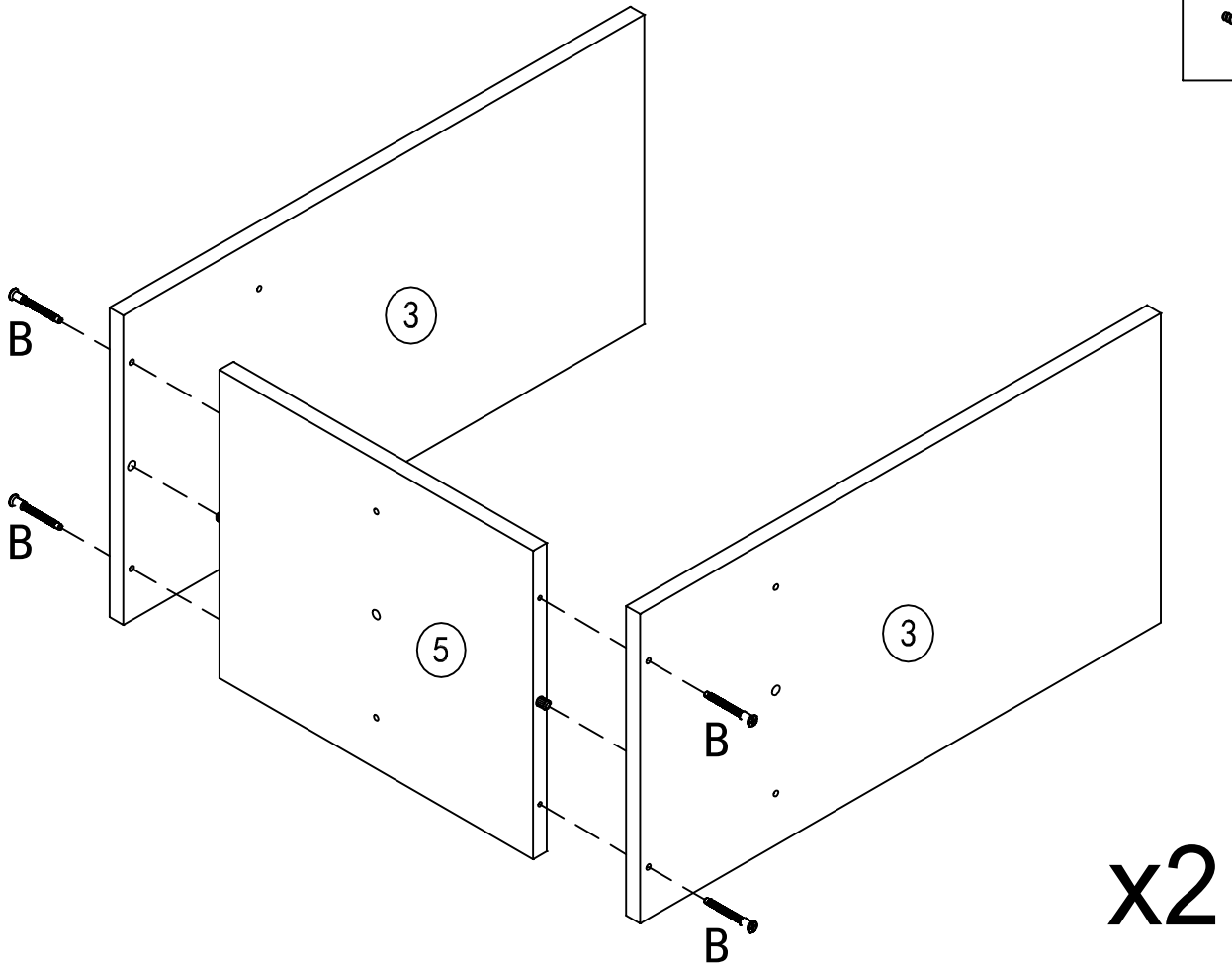
3



A 10PCS



4



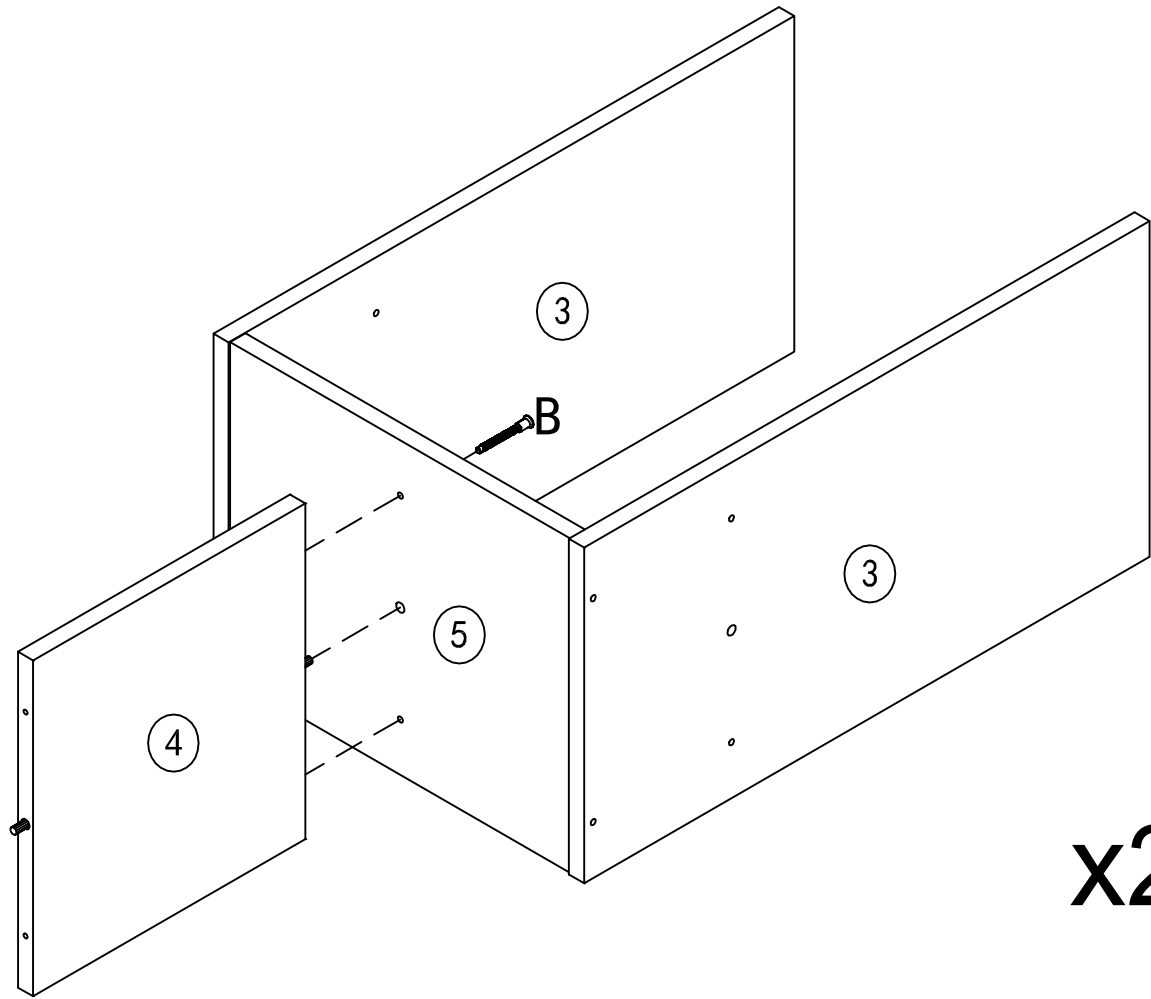
B 8PCS

M5\*40



x2

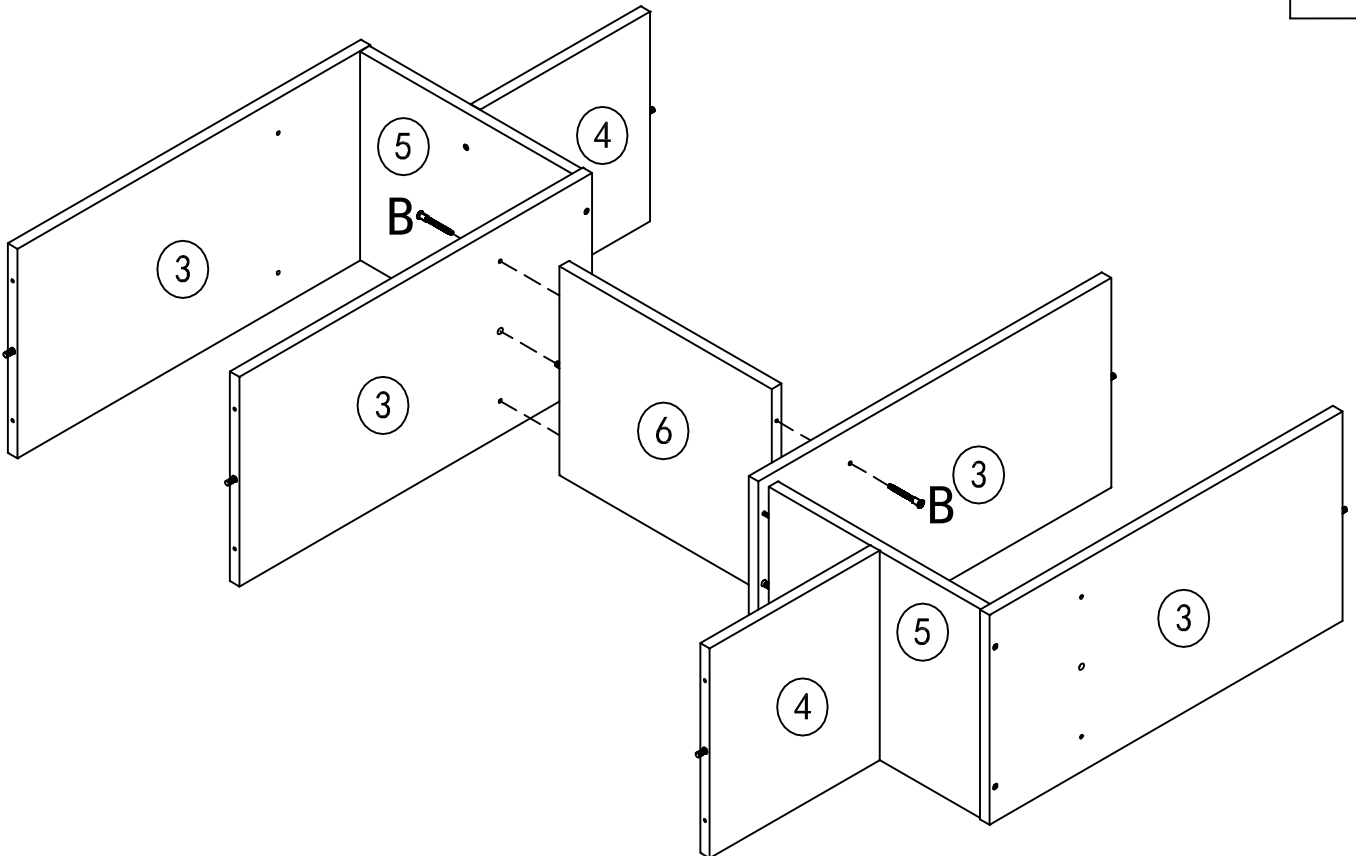
5



**B** 4PCS  
M5\*40

x2

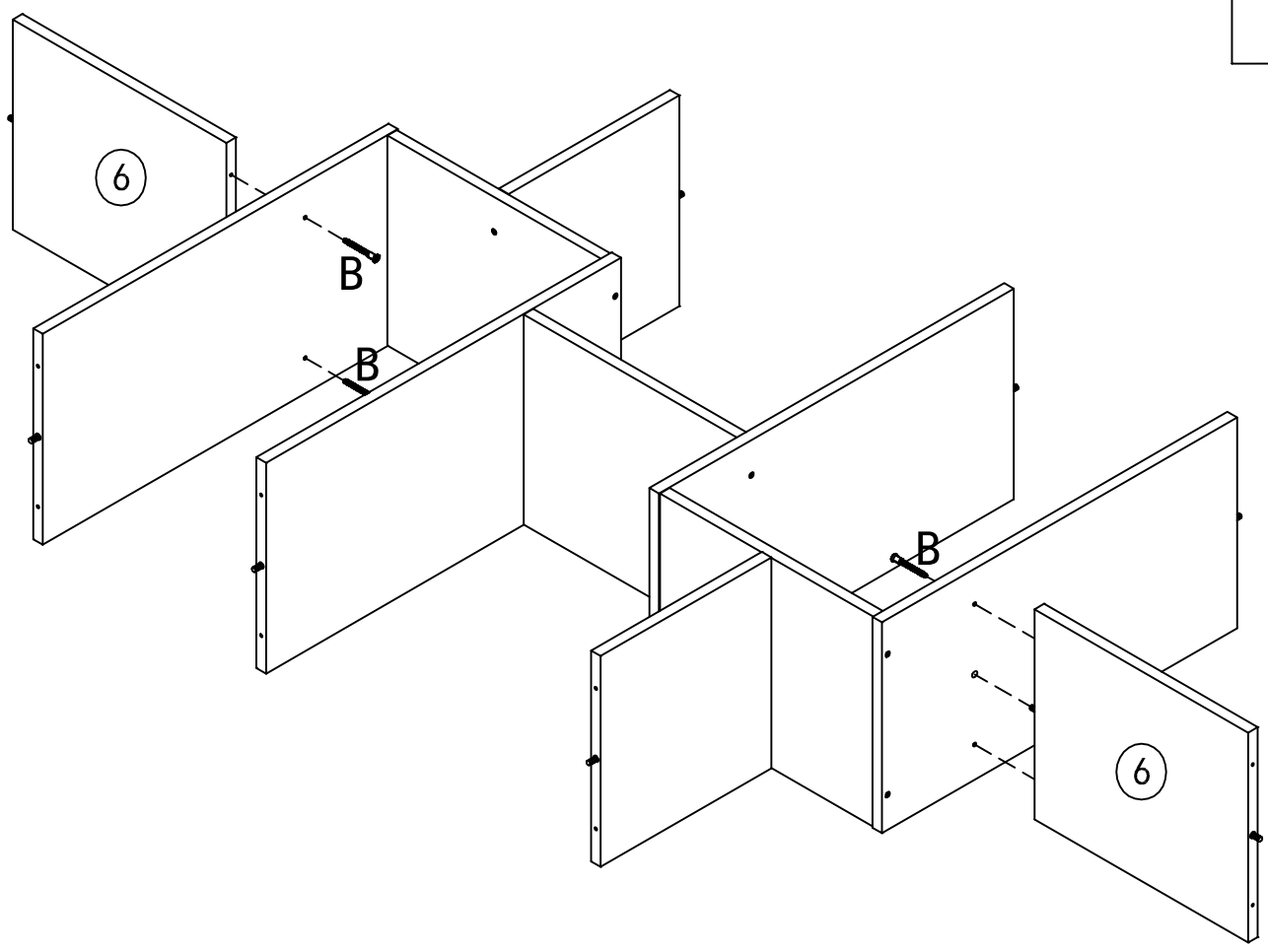

6



**B** 4PCS  
M5\*40

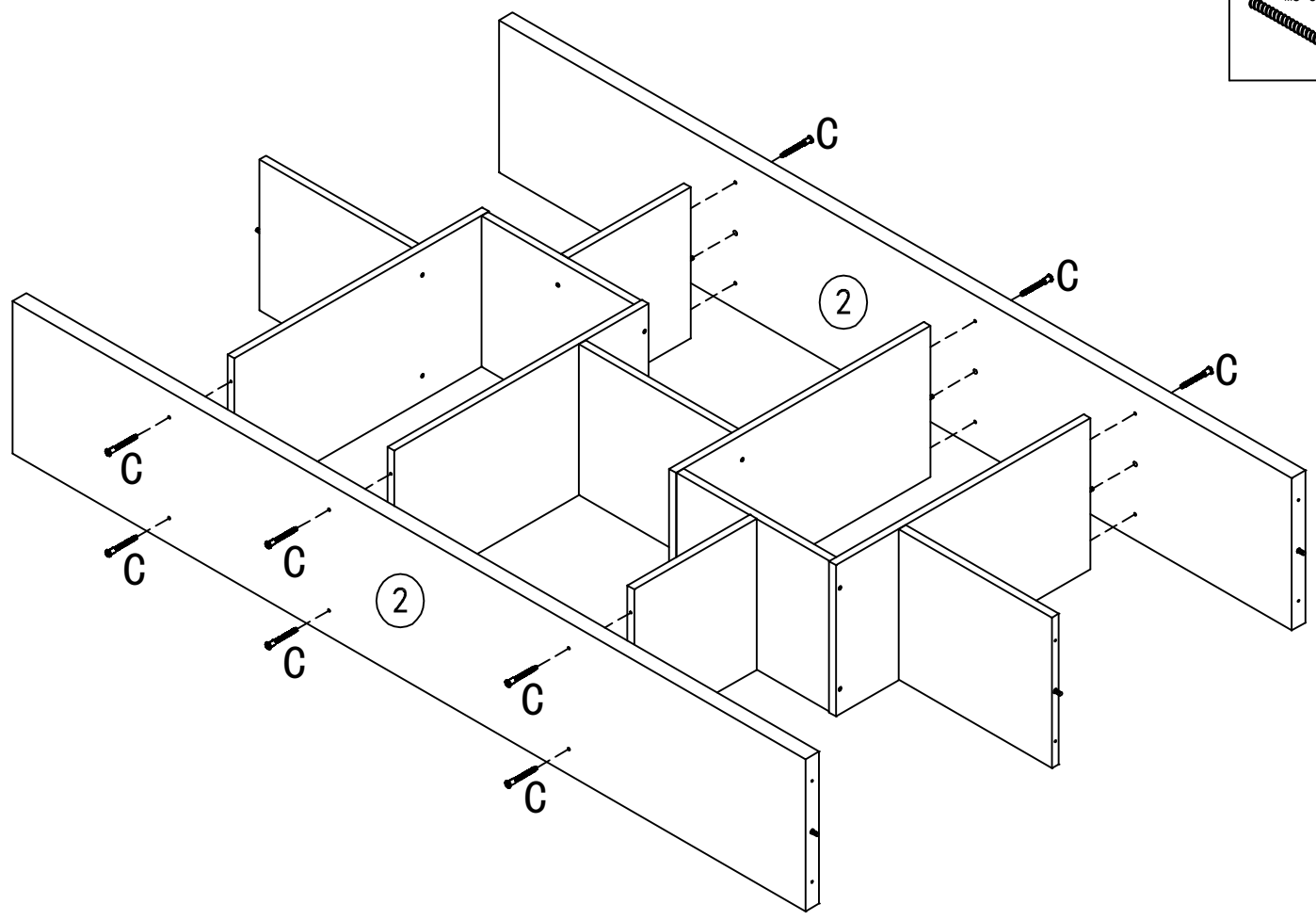
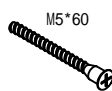
7

**B** 4PCS  
M5\*40

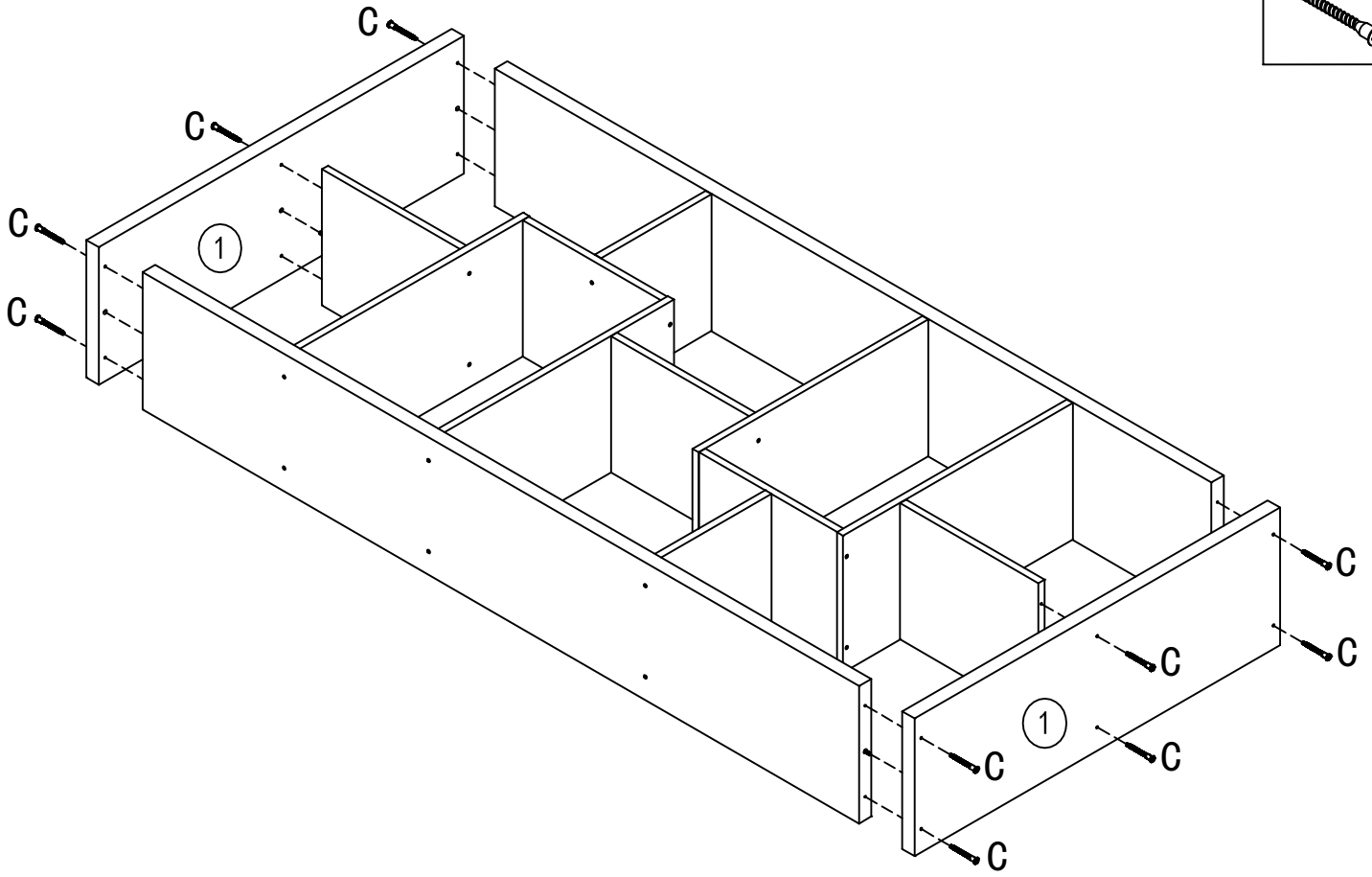


8

**C** 12PCS  
M5\*60



9

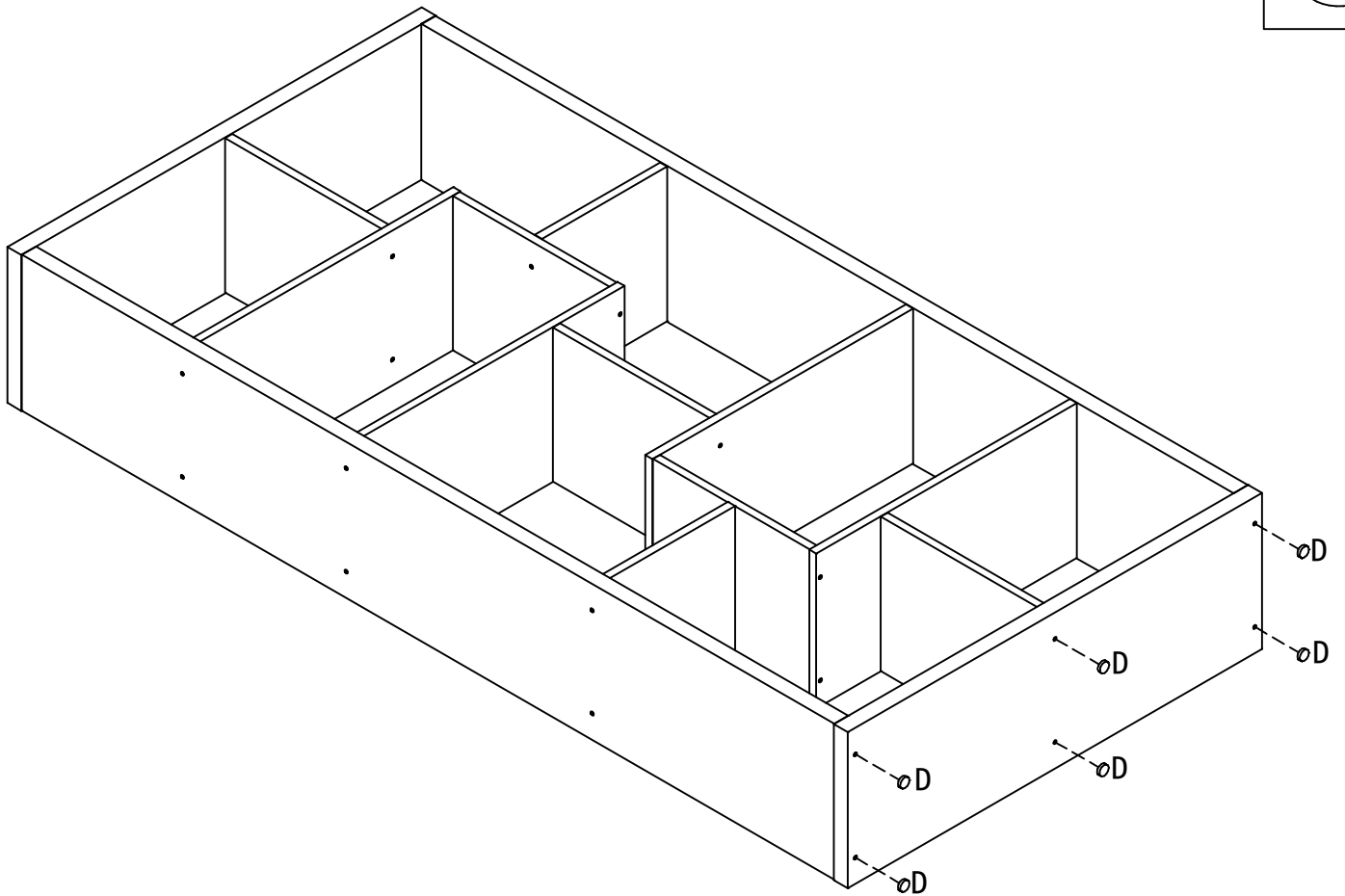


C 12PCS

M5\*60



10

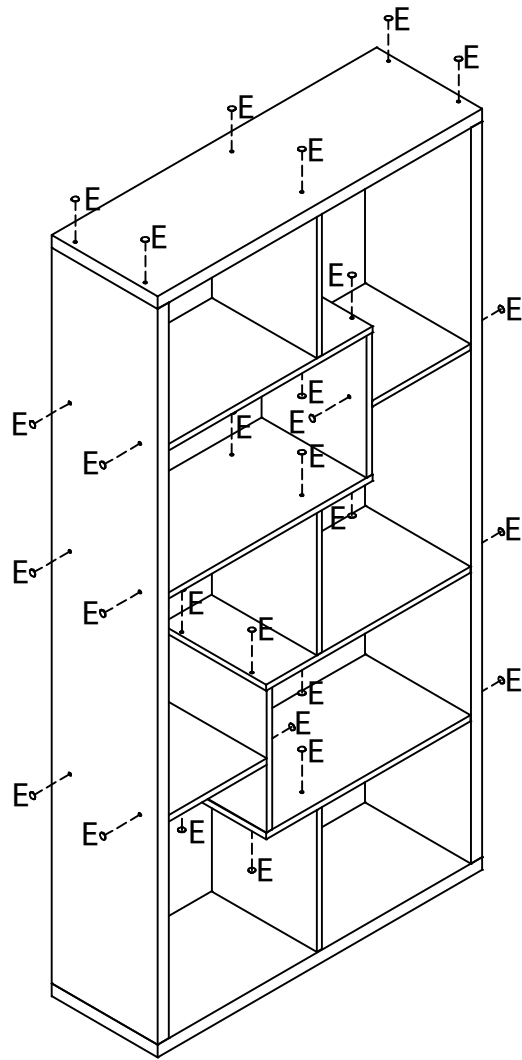
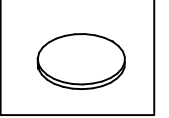


D 6PCS

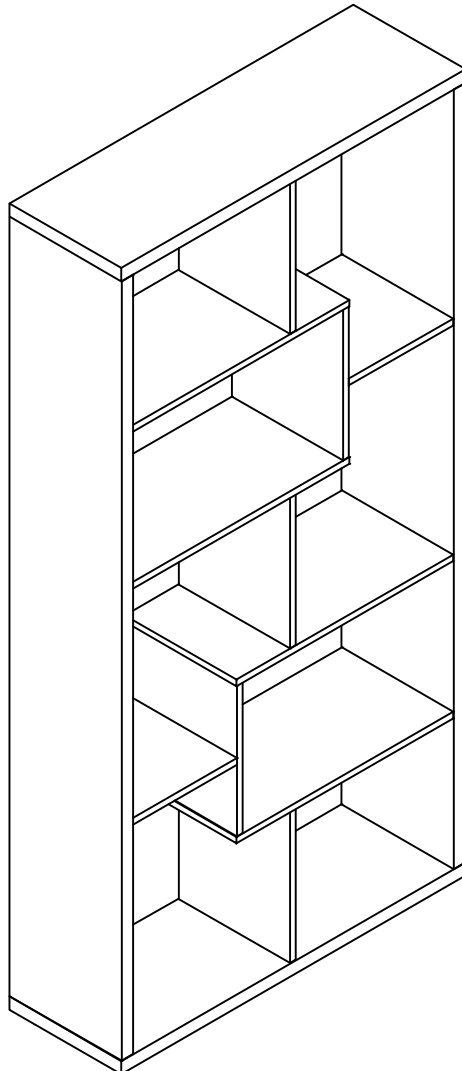


11

E 38PCS



12



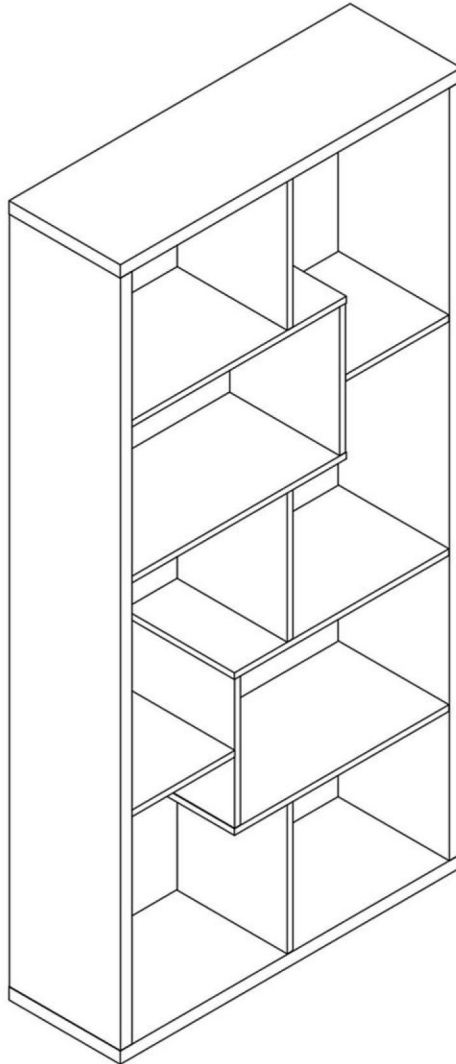
**Warning !**

For safety, please ensure that this unit is securely fixed to an adjoining wall to prevent toppling. When you need to fix it to the wall, please check the walls for pipes/ wiring before drilling holes.



# MAINTENANCE AND CARE GUIDE

## QUEBEC BLACK SHELVING UNIT



### **Maintenance:**

- To clean and care for your furniture:
- Use a soft, clean cloth that will not scratch the surface when dusting.
- Use of furniture polishes is not necessary. Should you choose to use polishes, test first in an inconspicuous area.
- Using solvents of any kind on your furniture may damage the finish.
- Never use water to clean your furniture as it may cause damage to the finish.
- In the event that your furniture is stained or otherwise damaged during use, we recommend that you call a professional to repair your furniture.
- Check bolts/screws periodically and tighten them if necessary.

### **Care and cleaning:**

- It is best to keep your furniture in a climate-controlled environment. Extreme temperature and humidity changes can cause fading, warping, shrinking and splitting of wood. It is advised to keep furniture away from direct sunlight as sun may damage the finish.
- Proper care and cleaning at home will extend the life of your purchase. Following these important and helpful tips will enhance your furniture as it ages.