

RONAN 4'6 BED WAXED PINE ASSEMBLY INSTRUCTIONS

56360



**MAX BED
WEIGHT**



FOR DOMESTIC USE ONLY

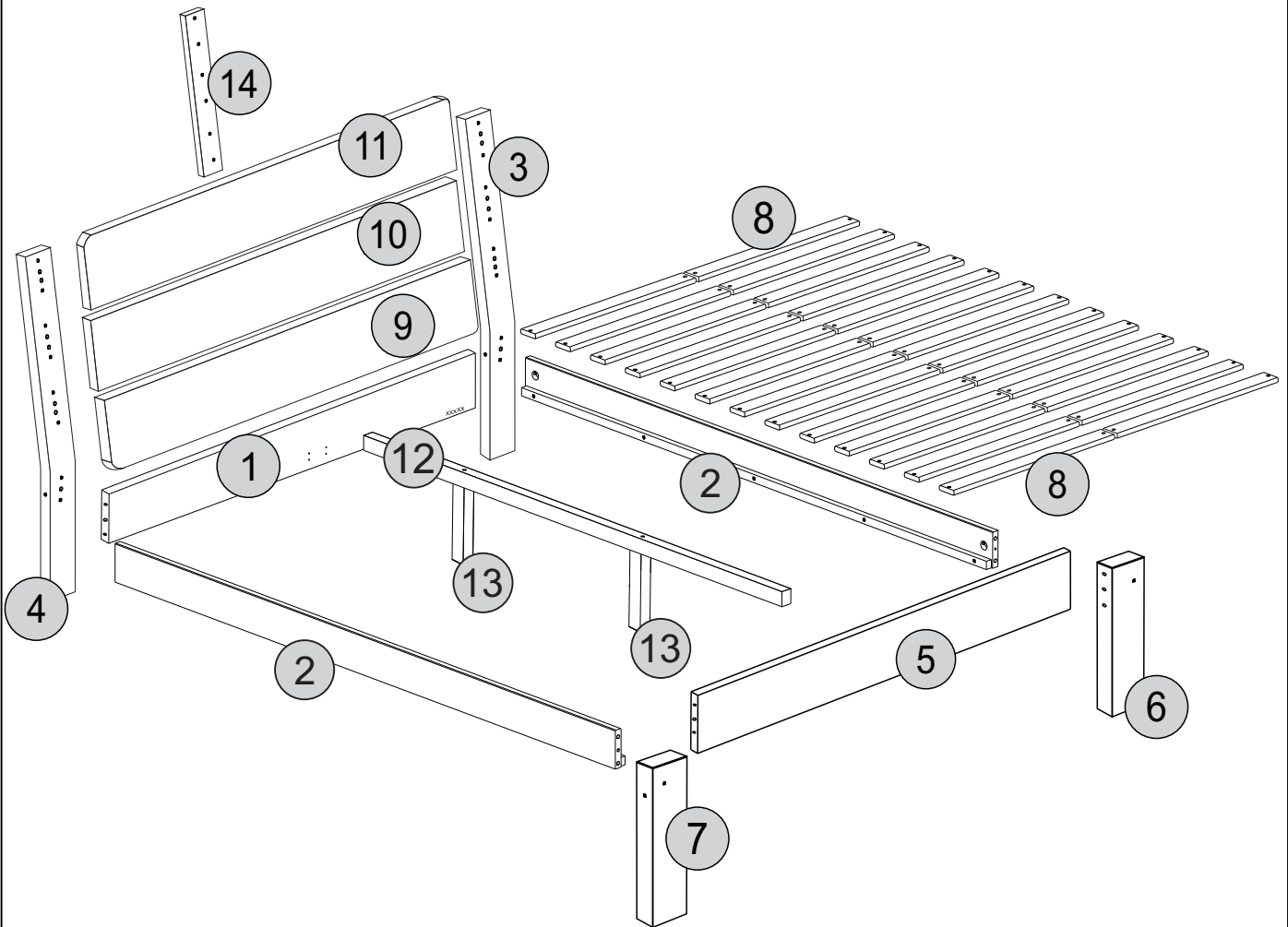
IMPORTANT

PLEASE READ BEFORE YOU CONTINUE FURTHER

CARE AND MAINTENANCE

After unpacking this product please keep the original packaging in case it needs to be returned for any reason.

- Please ensure all fittings and parts are present before commencing with assembly.
- We recommend that you lay a blanket or sheet on the floor to avoid damage to both your floor and the product.
- We strongly recommend that you keep children away from your work area.
- Assemble this product as close to its final position as possible.
- Never drag or push products as this could cause damage to the joints making it inferior.
- Do not place this product next to a radiator or in direct sunlight.
- Wood is a natural product and may expand if subjected to damp and may shrink or crack if subjected to heat. Therefore it is recommended that room temperature is maintained, with no sudden temperature fluctuations.
- Make sure any spillage is wiped off immediately.
- Do not place hot or chilled items directly on to the surface, use a place mat or marking will occur.
- For general cleaning use a duster, and do not use detergents of any kind. However, the surface will need to be retreated from time to time. This can be done by using block wax (unperfumed) and rubbing it over the whole item.
- From time to time it may be necessary to tighten fittings, regular inspections should be carried out.



!

- * Use of power tools to assemble this product will invalidate any claim and damage this product making it unsafe !!!
- * Please assemble on a clean soft surface to avoid damage.

!

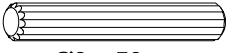




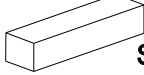
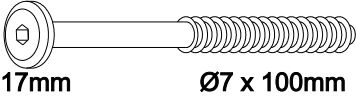





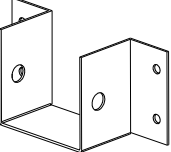



- * Please check contents and read the instructions before commencing assembly.
- * Assemble this product following the enclosed instructions carefully.
- * Please take care to avoid damaging panels during assembly.

PARTS LIST

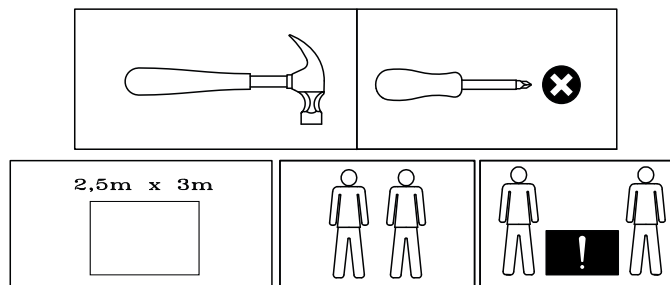
Please Note:
The below parts have all been stamped with the part number to help identify them during assembly.

Part Number	Part Code	Part Description	Quantity	Carton
1	S200-203-118-PJ1-01	Headboard Panel	1	1/2
2	S200-203-118-PJ1-02	Siderail	2	2/2
3	S200-203-118-PJ1-03	Headboard Right Post	1	1/2
4	S200-203-118-PJ1-04	Headboard Left Post (Green)	1	1/2
5	S200-203-118-PJ1-05	Footboard Panel	1	1/2
6	S200-203-118-PJ1-06	Footboard Right Post	1	1/2
7	S200-203-118-PJ1-07	Footboard Left Post (Green)	1	1/2
8	S200-203-118-PJ1-08	Slats	26	1/2
9	S200-203-118-PJ1-09	Lower Headboard Panel	1	1/2
10	S200-203-118-PJ1-10	Centre Headboard Panel	1	1/2
11	S200-203-118-PJ1-11	Top Headboard Panel	1	1/2
12	S200-203-118-PJ1-12	Centre Rail	1	2/2
13	S200-203-118-PJ1-13	Centre Support Leg	2	1/2
14	S200-203-118-PJ1-14	Support Headboard	1	1/2

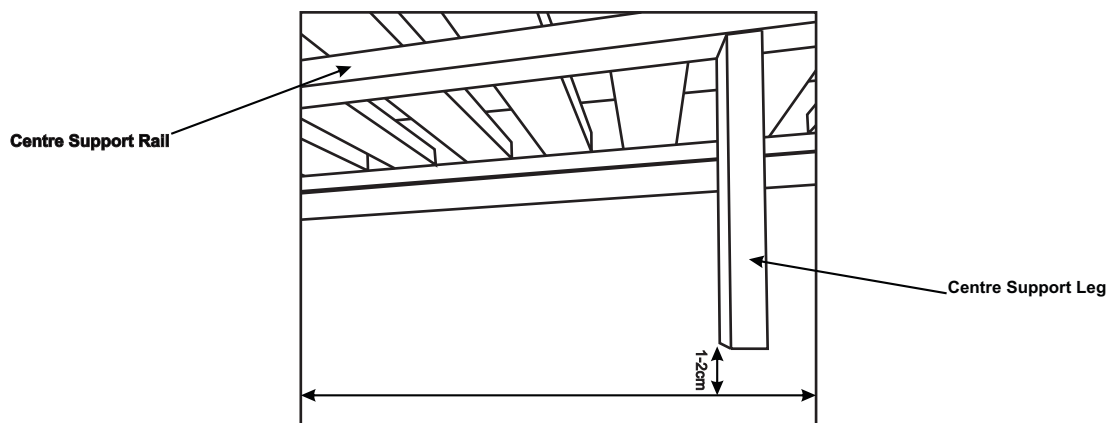
FITTINGS

A	 Ø8 x 50mm	08	I	 Ø8 x 30mm	12
B	 17mm Ø 1/4 x 90mm	04	J	 4,0x50mm	12
C	 1/4	04	K	 SPACER	02
D	 17mm Ø7 x 100mm	04	L	 Ø3,5 x 25mm	06
E	 Ø4,0 x 30mm	52	M	 Ø 4,0 x 20 mm	04
F	 Ø10 x 50mm	08	N	 17mm Ø7 x 80mm	02
G		02	O	 Ø4,0 x 16mm	08
			P	 GLUE	01
H		01			

TOOLS REQUIRED



CENTRE SUPPORT LEG ASSEMBLY



The 1-2 cm gap above prevents the centre legs from bending or breaking when weight is quickly redistributed. A shorter interior leg will allow the load of the user to be distributed over the entire load-bearing area before this leg touches the floor. Raised legs allow the slats a greater range of flexibility, and protects them from breaking. This provides a stronger overall structure by reducing the stress and push back force on the center leg supports. If the bed is moved or repositioned, interior legs cannot be dragged and are safeguarded from damage.

STEP 1

PARTS REQUIRED

1 - HEADBOARD PANEL x1

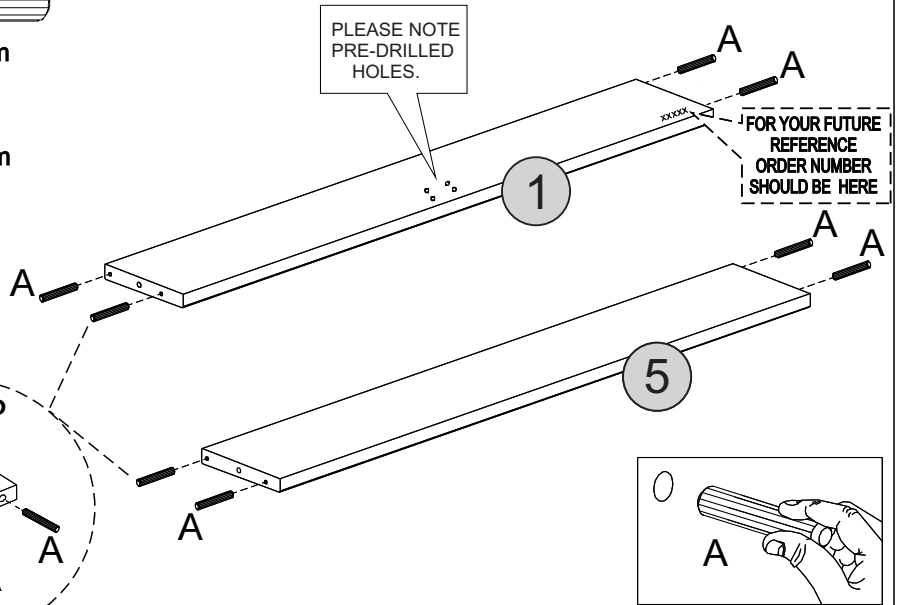
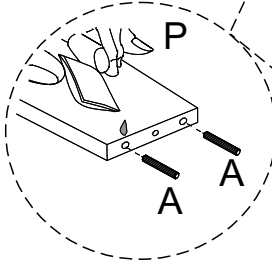
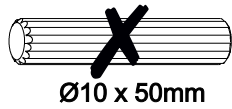
5 - FOOTBOARD PANEL x1

HARDWARE REQUIRED

A  08
Ø8 x 50mm

P  01
GLUE

TOOLS REQUIRED




Please assemble on a clean soft surface to avoid damage.

STEP 2

PARTS REQUIRED

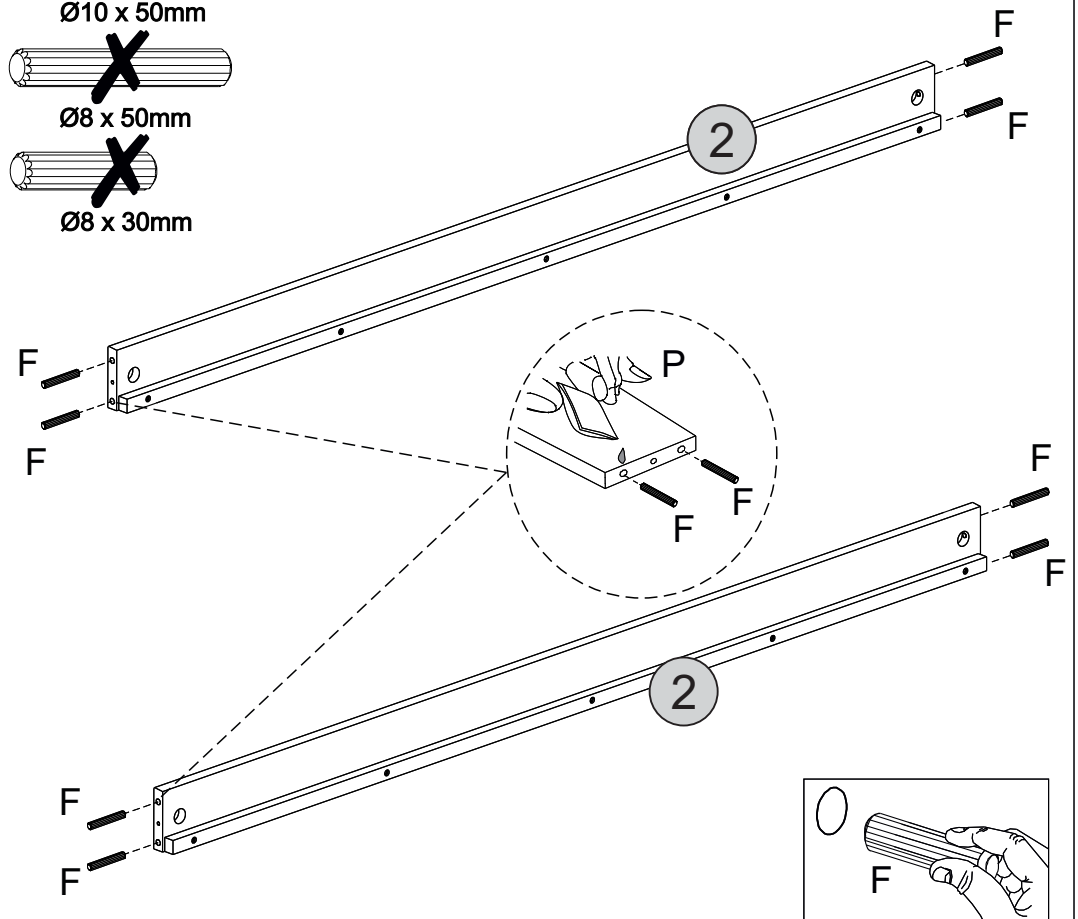
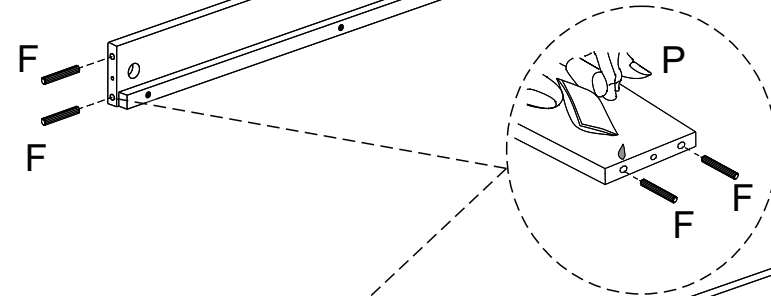
2 - SIDERAIL x2

HARDWARE REQUIRED

F  08
Ø10x50mm

P  01
GLUE

TOOLS REQUIRED



STEP 3

PARTS REQUIRED

3 - HEADBOARD RIGHT POST x1

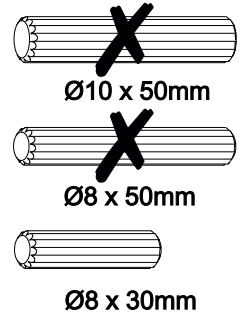
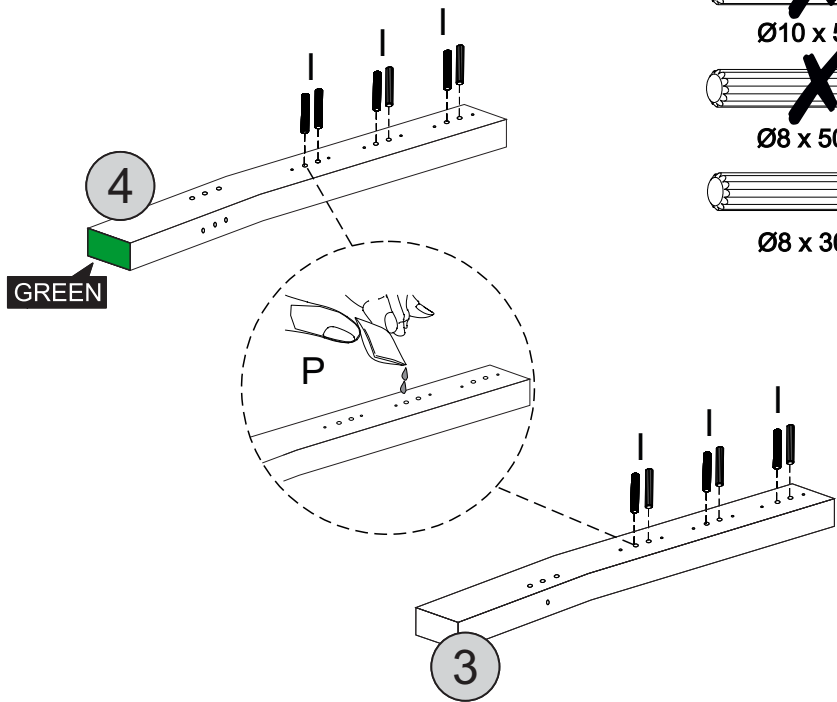
4 - HEADBOARD LEFT POST (GREEN) x1

HARDWARE REQUIRED

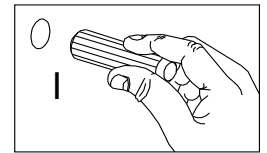
I  12
Ø8 x 30mm

P  01
GLUE

TOOLS REQUIRED



 Please assemble on a clean soft surface to avoid damage.



STEP 4


PARTS REQUIRED

1 - HEADBOARD PANEL x1

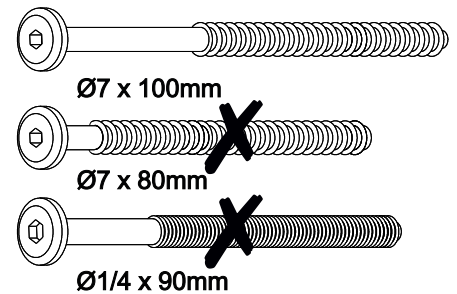
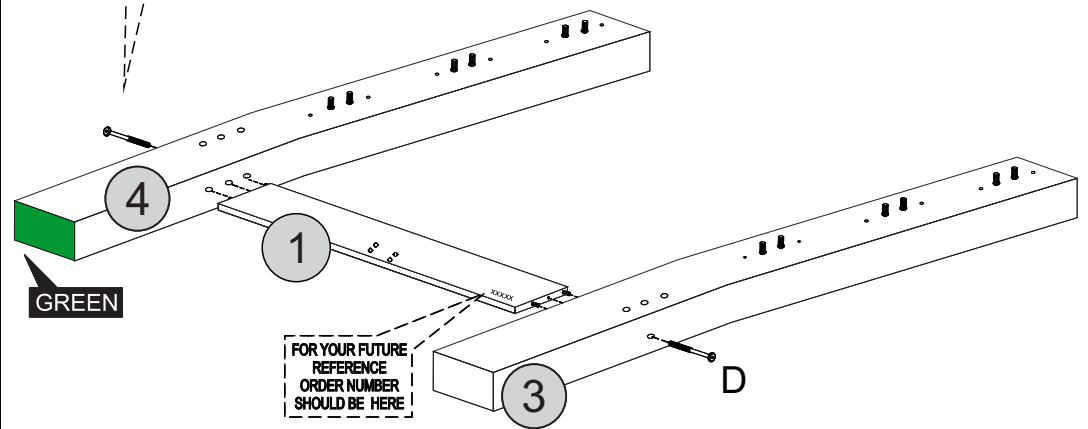
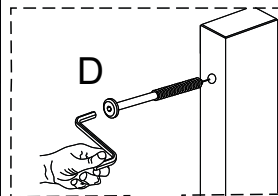
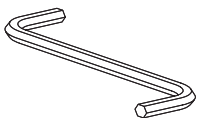
3 - HEADBOARD RIGHT POST x1

4 - HEADBOARD LEFT POST (GREEN) x1

HARDWARE REQUIRED

D  02
Ø7 x 100mm

TOOLS REQUIRED



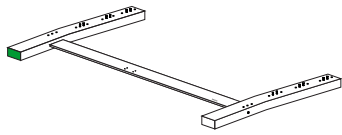
FOR YOUR FUTURE REFERENCE ORDER NUMBER SHOULD BE HERE

 Please assemble on a clean soft surface to avoid damage.



STEP 5

PARTS REQUIRED

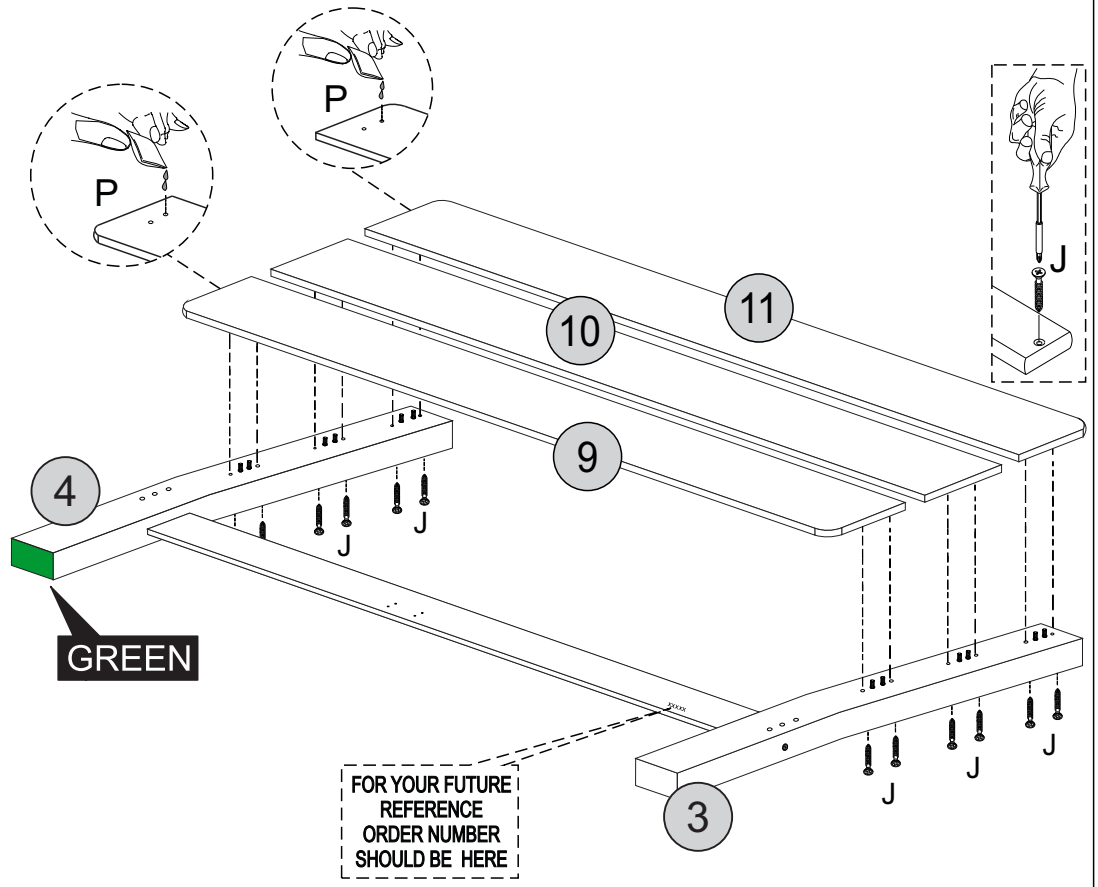
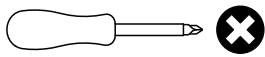
- 9 - LOWER HEADBOARD PANEL x1
- 10 - CENTRE HEADBOARD PANEL x1
- 11 - TOP HEADBOARD PANEL x1



HARDWARE REQUIRED

- J  12
Ø4,0 x 60mm
- P  01
GLUE

TOOLS REQUIRED

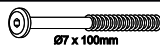


STEP 6

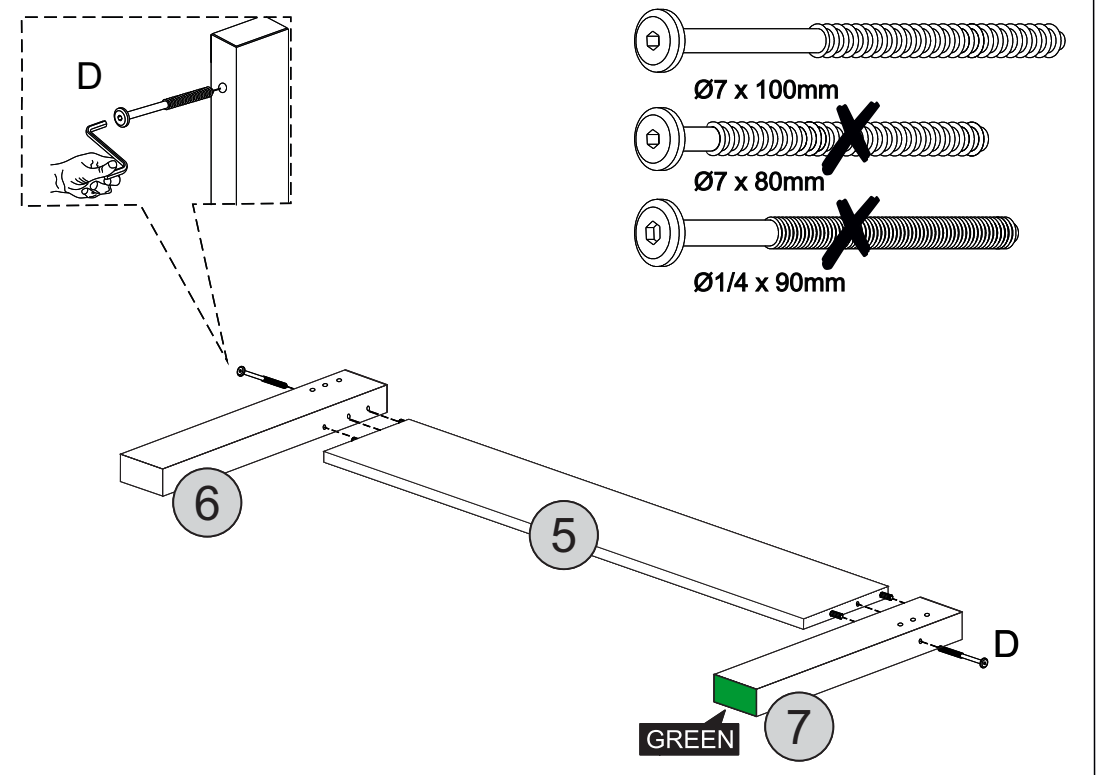
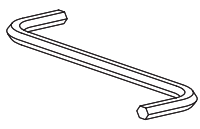
PARTS REQUIRED

- 5 - FOOTBOARD PANEL x1
- 6 - FOOTBOARD RIGHT POST x1
- 7 - FOOTBOARD LEFT POST (GREEN) x1

HARDWARE REQUIRED

- D  02
Ø7 x 100mm

TOOLS REQUIRED

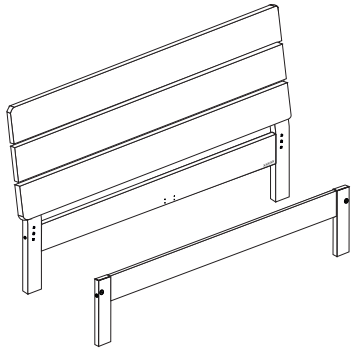


!
Please assemble on a clean soft surface to avoid damage.


STEP 7

PARTS REQUIRED

2- SIDERAIL x2

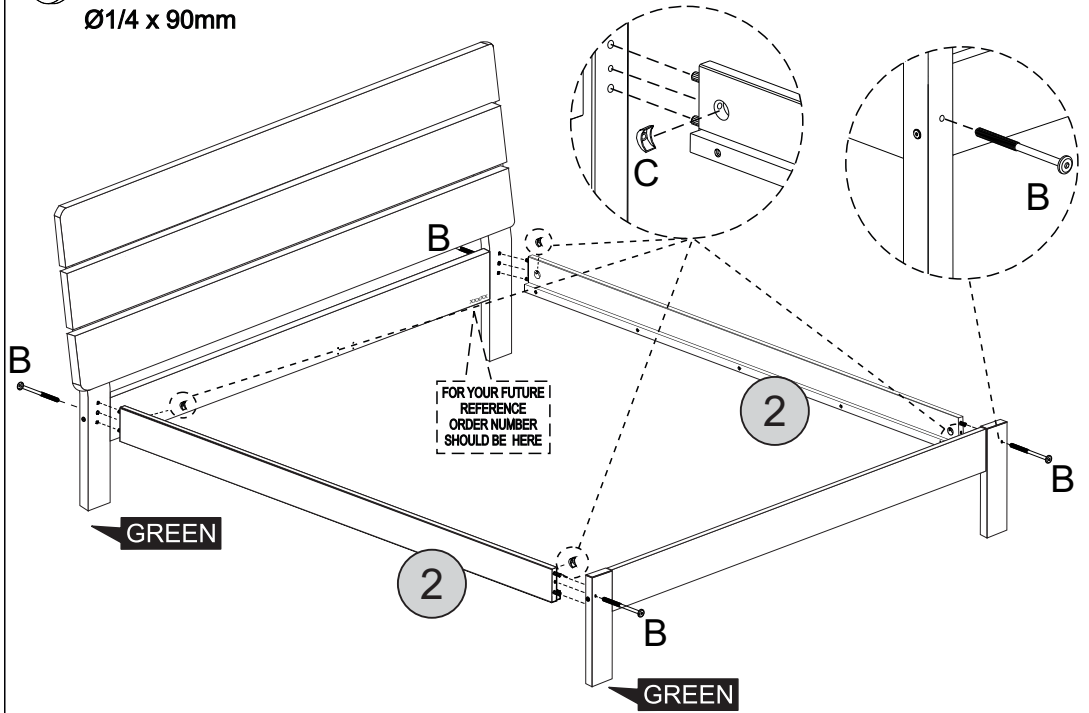
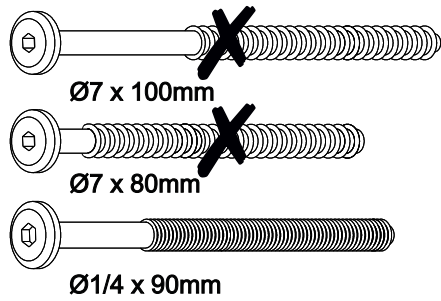
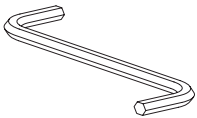


HARDWARE REQUIRED

B  Ø1/4 x 90mm 04

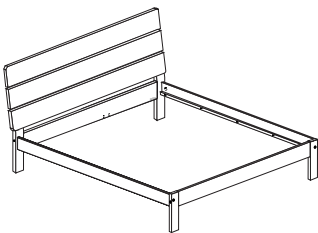
C  1/4 04

TOOLS REQUIRED





STEP 8

PARTS REQUIRED

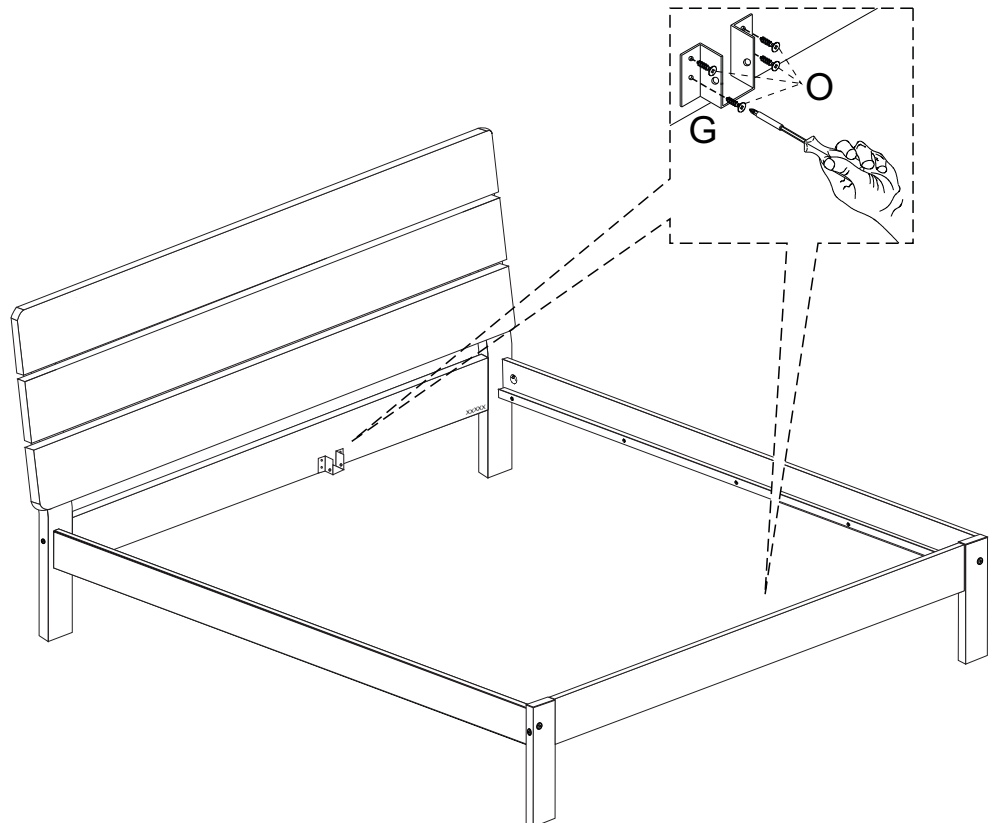
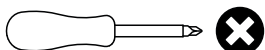


HARDWARE REQUIRED

O  Ø4,0 x 18mm 08

G  02

TOOLS REQUIRED



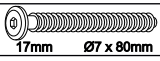
STEP 9

PARTS REQUIRED

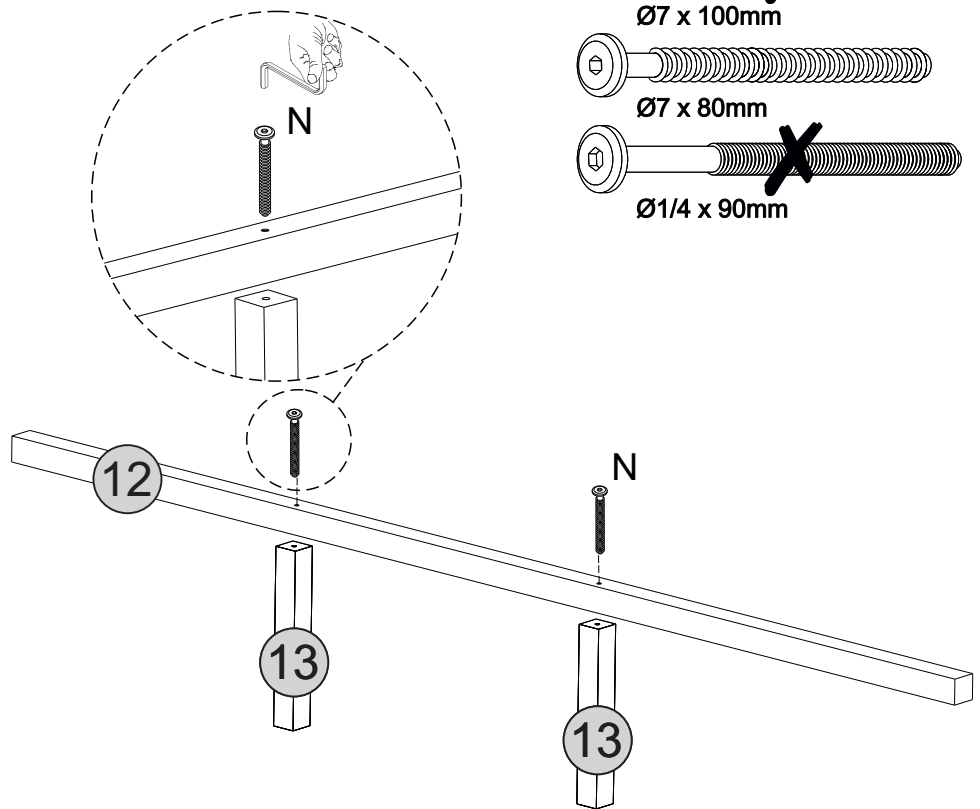
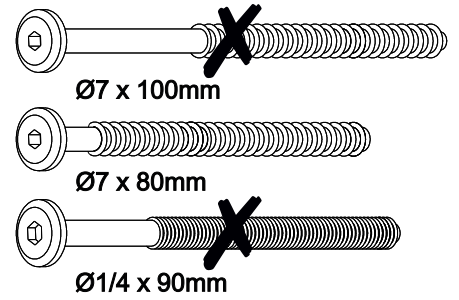
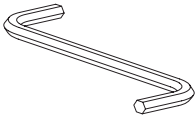
12 - CENTRE RAIL x1

13 - CENTRE SUPPORT LEG x2

HARDWARE REQUIRED

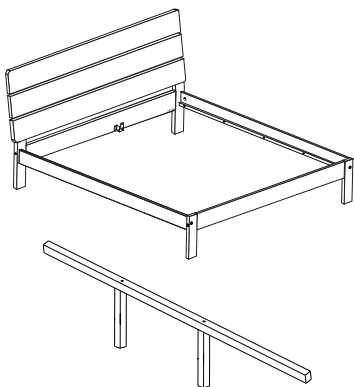
N  02
17mm Ø7 x 80mm

TOOLS REQUIRED

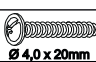


STEP 10

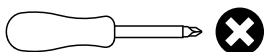
PARTS REQUIRED



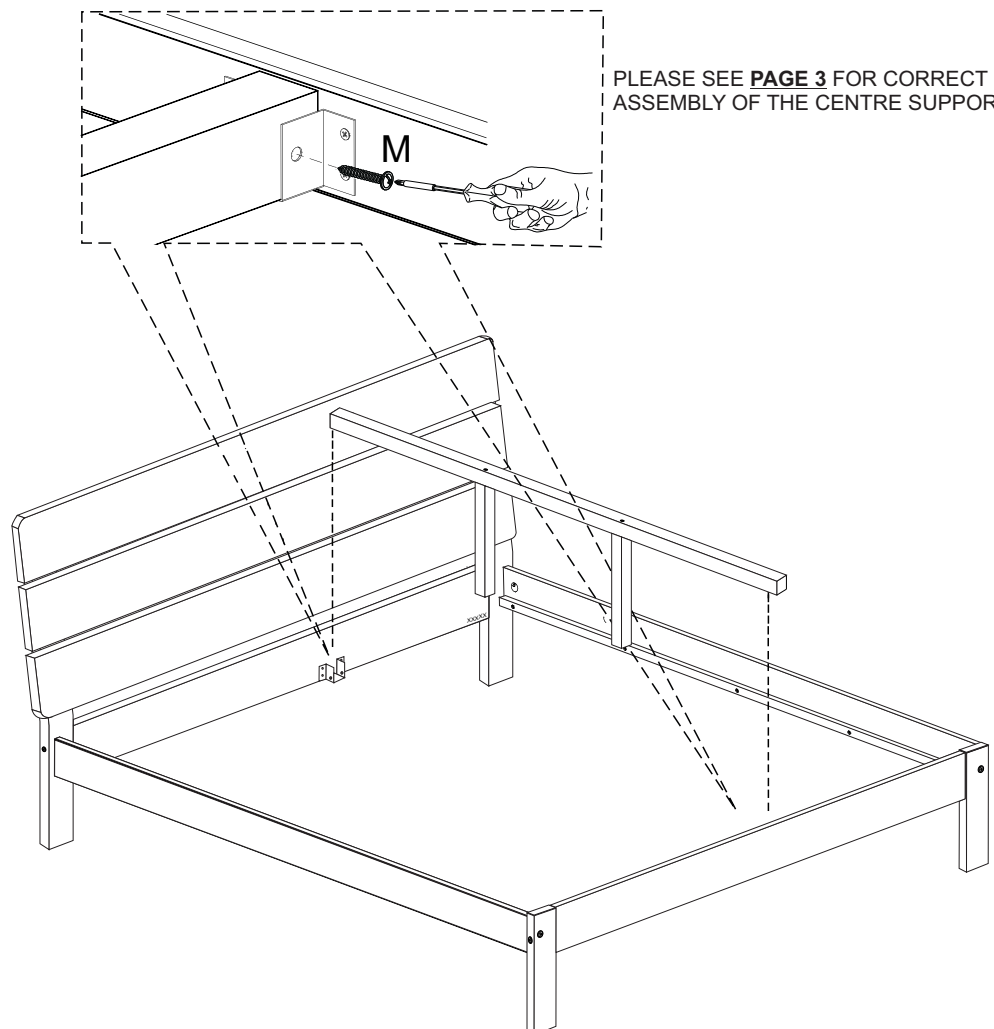
HARDWARE REQUIRED

M  04
Ø4,0 x 20mm

TOOLS REQUIRED



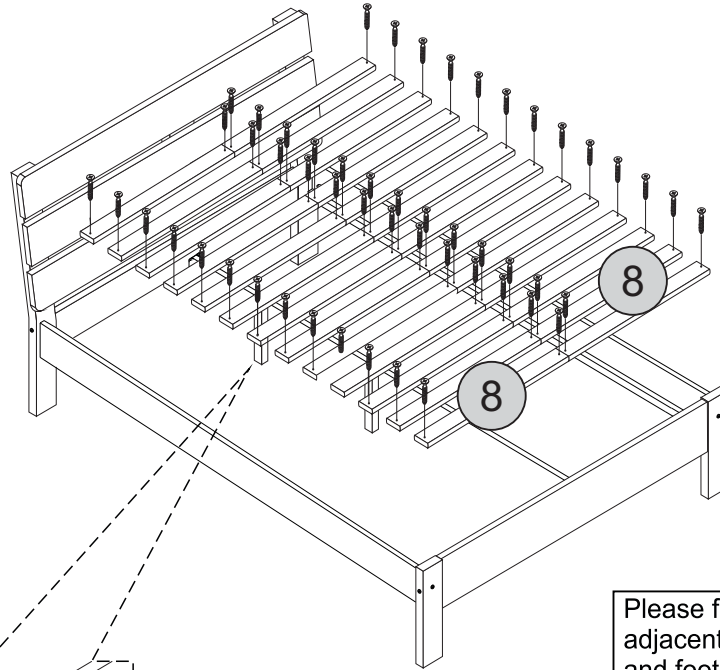
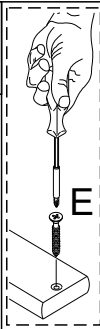
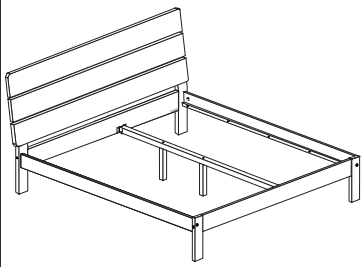
PLEASE SEE **PAGE 3** FOR CORRECT ASSEMBLY OF THE CENTRE SUPPORT LEG.




STEP 11

PARTS REQUIRED

8 - SLATS x26

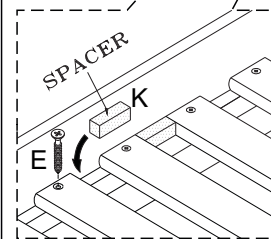
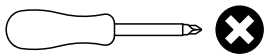



HARDWARE REQUIRED

E  52
Ø4,0 x 30mm

K  02
SPACER

TOOLS REQUIRED

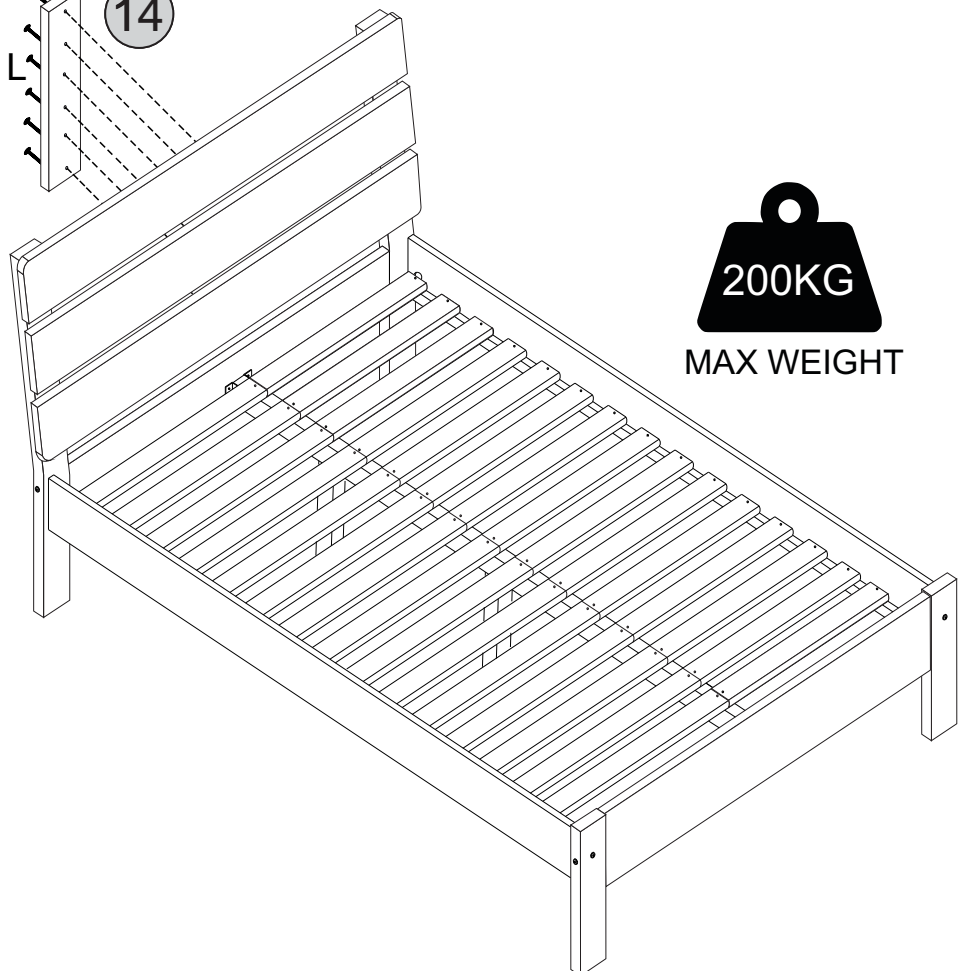
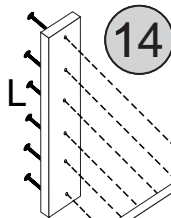
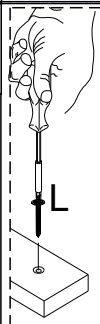
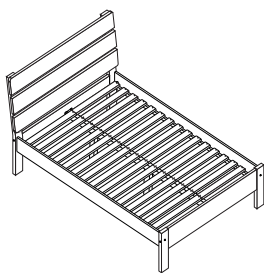


 Please fix the first slats adjacent to the headboard and footboard and work towards the middle of the bed using the spacer (K) as shown to ensure correct spacing. Fix all the slats to one siderail first then push the second siderail tight against the slats and fix.

STEP 12


PARTS REQUIRED

14 -SUPPORT HEADBOARD x1



 200KG
MAX WEIGHT

HARDWARE REQUIRED

L  06
Ø3,5 x 25mm

TOOLS REQUIRED

