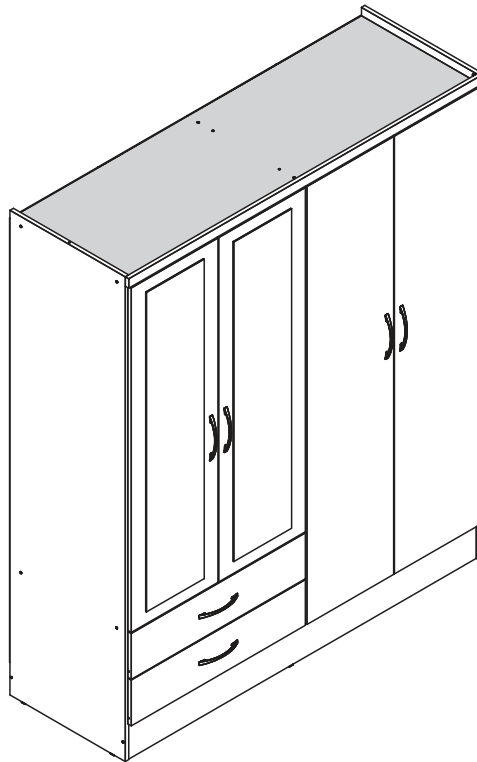


NEVADA 4 DOOR 2 DRAWER WARDROBE

ASSEMBLY INSTRUCTIONS



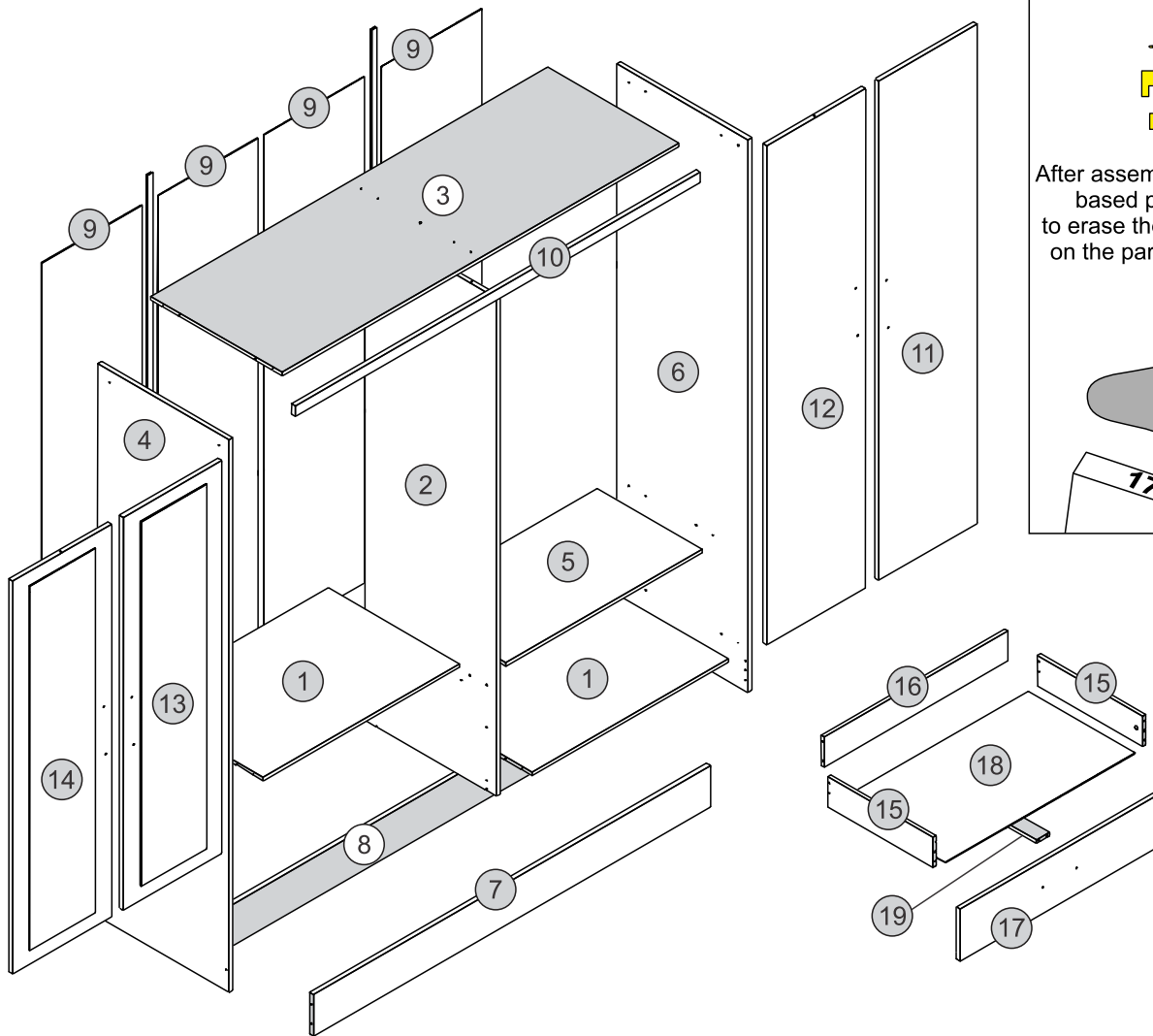
IMPORTANT FOR DOMESTIC USE ONLY

PLEASE READ BEFORE YOU CONTINUE FURTHER

CARE AND MAINTENANCE

After unpacking this product please keep the original packaging in case it needs to be returned for any reason.

- Please ensure all fittings and parts are present before commencing with assembly.
- Never drag or push products as this could cause damage to the joints making it inferior.
- We strongly recommend that you keep children away from your work area.
- We recommend that you lay a blanket or sheet on the floor to avoid damage to both your floor and the product.
- Assemble this product as close to its final position as possible.
- Do not place this product next to a radiator or in direct sunlight.
- Do not drag or push items across your high gloss furniture as this may cause the surface to scratch
- Wood is a natural product and may expand if subjected to damp and may shrink or crack if subjected to heat. Therefore it is recommended that room temperature is maintained, with no sudden temperature fluctuations.
- Make sure any spillage is wiped off immediately.
- Do not place hot or chilled items directly on to the surface, use a place mat or marking will occur.
- For general cleaning use a soft cotton or micro fibre cloth, and do not use detergents of any kind.
- From time to time it may be necessary to tighten fittings, regular inspections should be carried out.
- Do not place on a wet or damp floor as staining may occur to your floor.



TIP

After assembly use an alcohol based product/cleaner to erase the numbers printed on the parts that are visual.

An illustration showing a hand holding a grey cloth and wiping a surface. The number 17 is visible on the surface being cleaned.


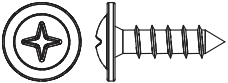

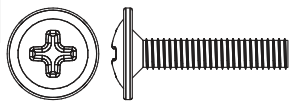

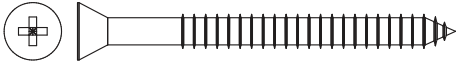


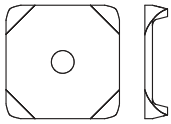
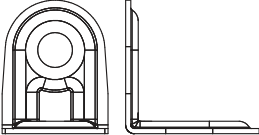
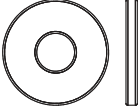
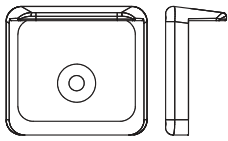
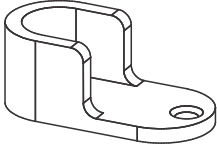

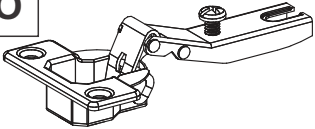
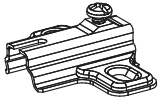
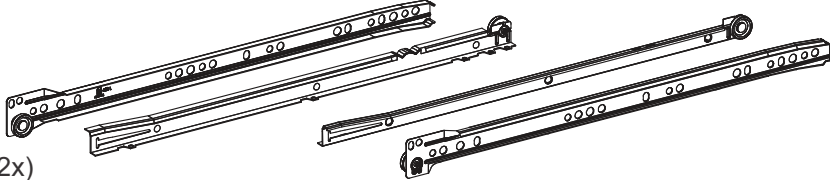
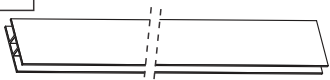




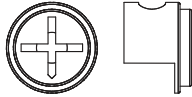
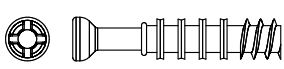
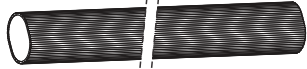

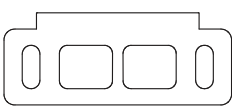
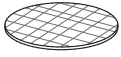
Please Note:
The below parts have all been stamped with the part number to help identify them during assembly.

Part Number	Part Description	Quantity	Carton
01	Base Panel	2	1/3
02	Division Panel	1	2/3
03	Top Panel	1	2/3
04	Left Side Panel	1	1/3
05	Shelf	1	1/3
06	Right Side Panel	1	1/3
07	Front Baseboard	1	2/3
08	Back Baseboard	1	2/3
09	Back Panel	4	2/3
10	Frame	1	2/3
11	Right Large Door	1	3/3
12	Left Large Door	1	3/3
13	Right Small Door	1	3/3
14	Left Small Door	1	3/3
15	Drawer Side	4	1/3
16	Drawer Back Panel	2	1/3
17	Drawer Front	2	2/3
18	Drawer Bottom	2	2/3
19	Drawer Bottom Support Bar	2	2/3

TOOLS REQUIRED

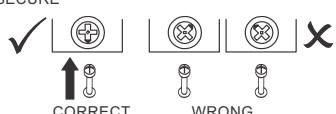
A vertical list of tools required for assembly. From top to bottom: a screwdriver with a crossed-out circle next to it, a mallet, a hammer, a tape measure, and a pencil.

FITTINGS LIST

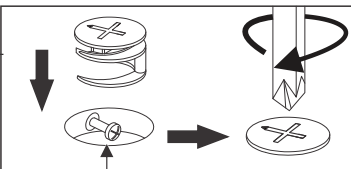
<p>A</p>  <p>Flat Head Screw Ø6,0 x 10mm (8x) +1</p>	<p>B</p>  <p>Flan Head Screw Ø4,0 x 14mm (12x) +2</p>	<p>C</p>  <p>Flat Head Screw Ø4,0 x 14mm (68x) +2</p>	<p>D</p>  <p>Flan Head Screw Ø4,0 x 20mm (12x) +2</p>
<p>E</p>  <p>Flat Head Screw Ø3,5 x 40mm (4x) +1</p>	<p>F</p>  <p>Flat Head Screw Ø4,0 x 50mm (26x) +2</p>	<p>G</p>  <p>Dowel Ø6,0 x 30mm (46x) +2</p>	
<p>H</p>  <p>Nail 10 x 10 (100x) +2</p>	<p>I</p>  <p>Back Panel Bracket (16x) +2</p>	<p>J</p>  <p>'L' Metallic Support (10x) +2</p>	<p>K</p>  <p>Washer (4x) +1</p>
<p>L</p>  <p>Plastic Foot (6x) +1</p>	<p>M</p>  <p>Hanging Rail Support (4x) +1</p>	<p>N</p>  <p>Flan Head Screw Ø3,5 x 30mm (2x) +1</p>	<p>O</p>  <p>Hinge (12x)</p>
<p>P</p>  <p>Hinge Plate (12x)</p>	<p>Q</p>  <p>Drawer Runners (2x)</p>		
<p>R</p>  <p>Back Panel Strip (2x)</p>	<p>S</p>  <p>Strap (2x)</p>	<p>T</p>  <p>Handle (6x)</p>	<p>U</p>  <p>Hole Plugs (14x) +2</p>
<p>V</p>  <p>Glue (2x)</p>	<p>W</p>  <p>Cam Nut (4x) +1</p>	<p>X</p>  <p>Cam Bolt (4x) +1</p>	<p>Y</p>  <p>Hanging Rail (2x)</p>
<p>Z</p>  <p>Flat Head Screw Ø4,0 x 12mm (28x) +2</p>	<p>A1</p>  <p>Door Support (4x)</p>	<p>B1</p>  <p>Hole Plugs (6x) +2</p>	

TIPS FOR FITTINGS CAM-LOCKS

WHEN FITTING CAM NUT, ENSURE STARTING POSITION IS CORRECT BEFORE YOU INSERT CONNECTING CAM BOLT TURN CLOCKWISE UNTIL SECURE



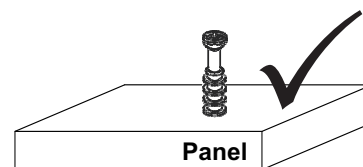
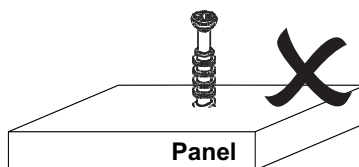
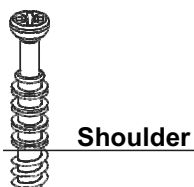
↑ CORRECT
↑ WRONG



Cam bolt head needs to be in centre

CAMBOLT

Tighten until shoulder in flush with panel. Do not overtighten or undertighten (see example beside)




STEP 1

PARTS REQUIRED

4 - LEFT SIDE PANEL x1

HARDWARE REQUIRED

C  08
Ø4,0 x 14mm

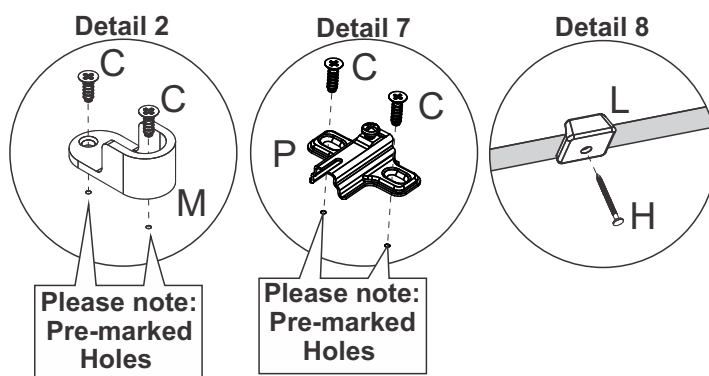
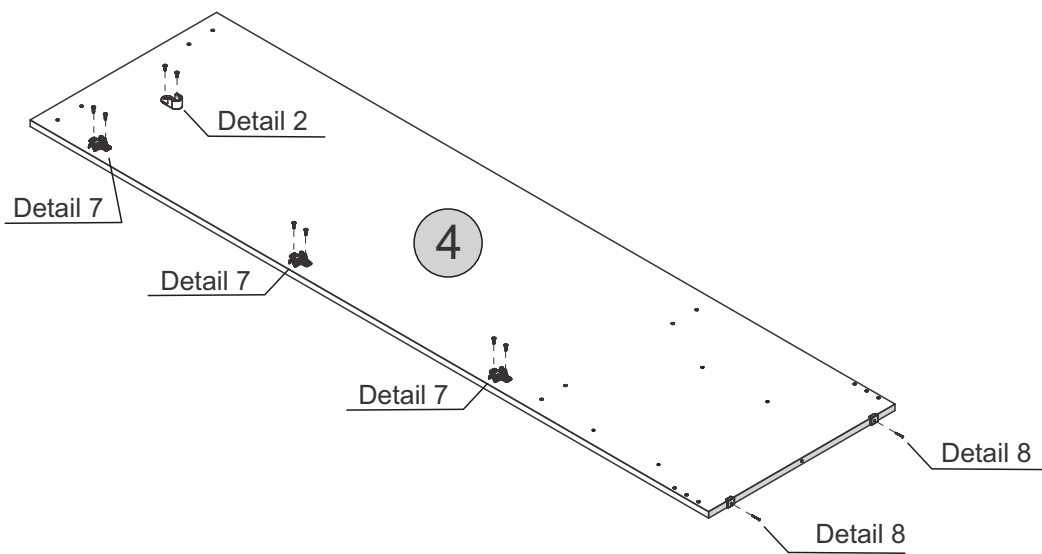
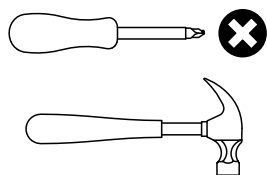
H  02

L  02

M  01

P  03

TOOLS REQUIRED



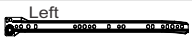
STEP 2

PARTS REQUIRED

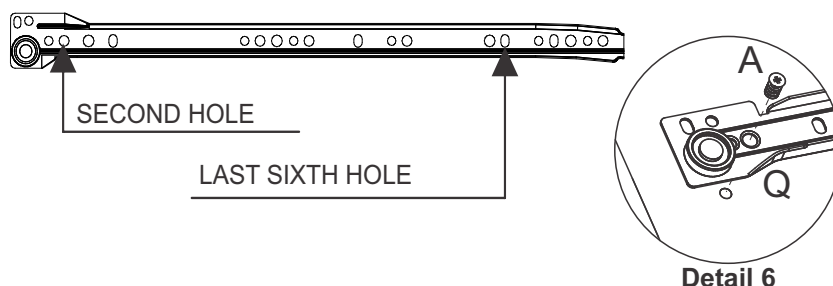
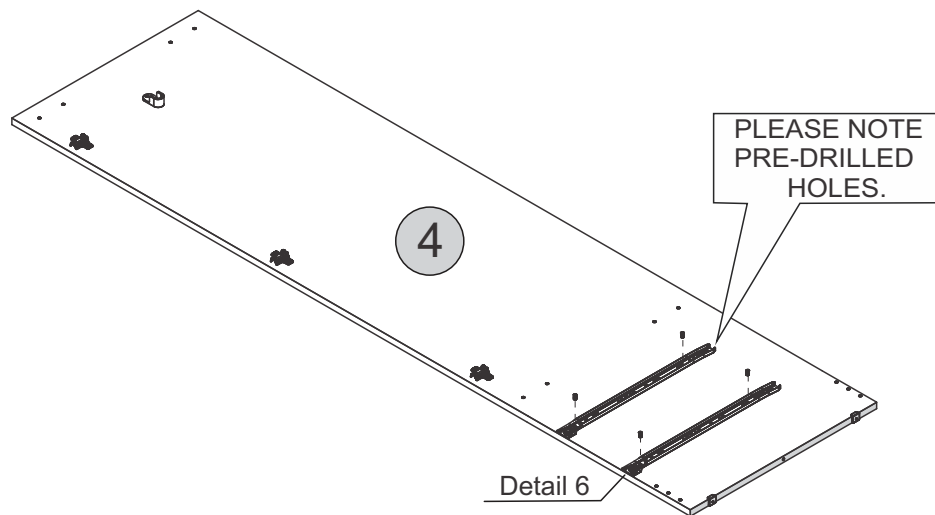
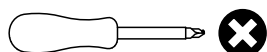
4 - LEFT SIDE PANEL x1

HARDWARE REQUIRED

A  04
Ø6,0 x 10mm

Q  02
Left

TOOLS REQUIRED




STEP 3

PARTS REQUIRED

2 - DIVISION PANEL x1


HARDWARE REQUIRED

C  08
Ø4,0 x 14mm

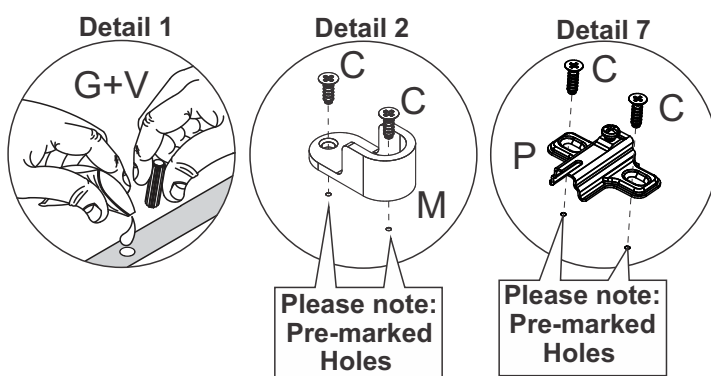
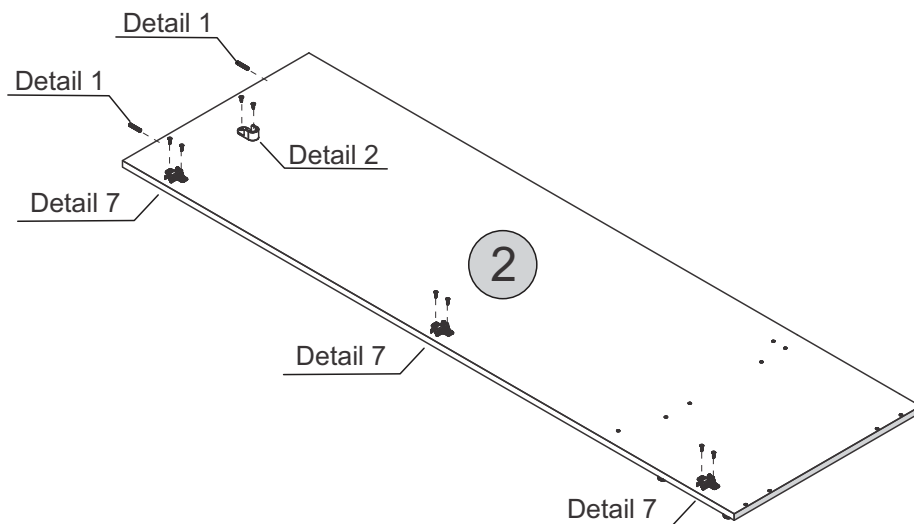
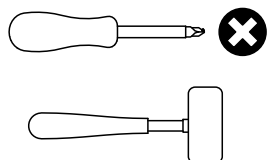
G  02
Ø6,0 x 30mm

M  01

P  03

V  01
Glue

TOOLS REQUIRED

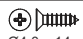


STEP 4

PARTS REQUIRED

2 - DIVISION PANEL x1

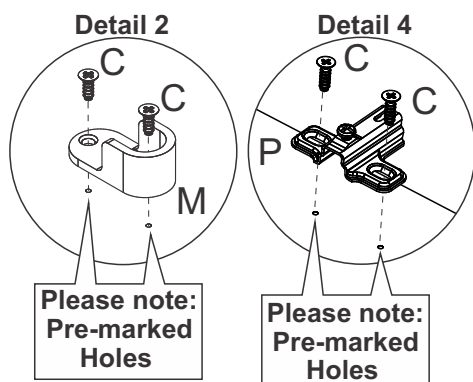
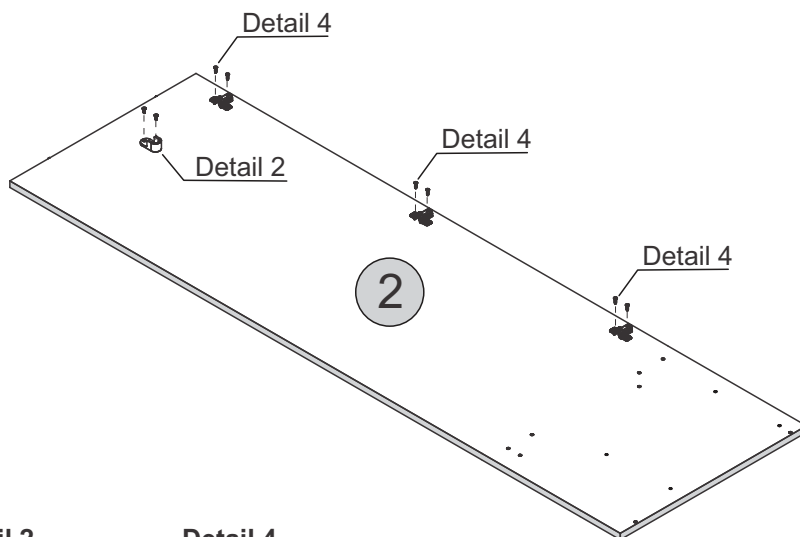
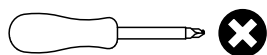
HARDWARE REQUIRED

C  08
Ø4,0 x 14mm

M  01

P  03

TOOLS REQUIRED



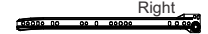
STEP 5

PARTS REQUIRED

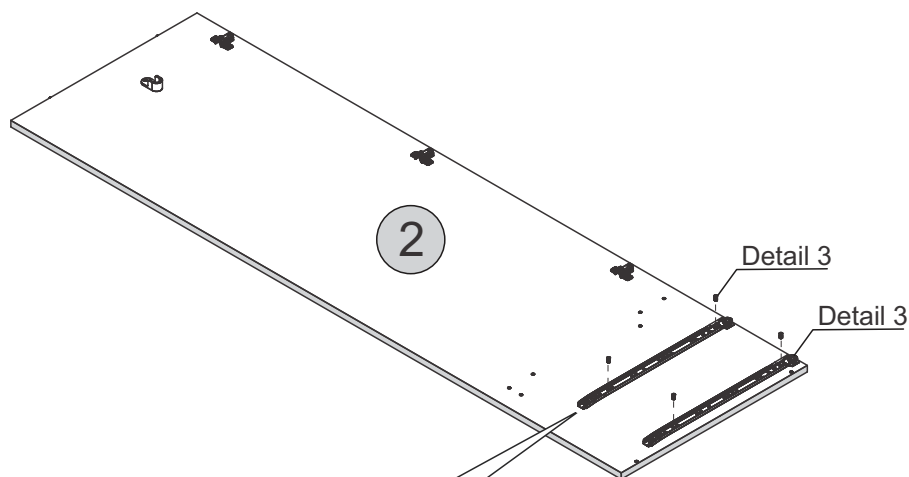
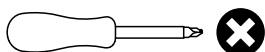
2 - DIVISION PANEL x1

HARDWARE REQUIRED

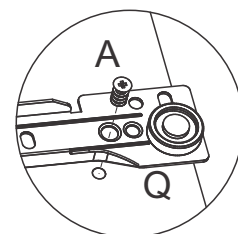
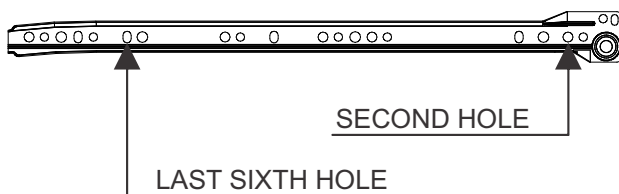
A  04
Ø6,0 x 10mm

Q  02
Right

TOOLS REQUIRED



PLEASE NOTE
PRE-DRILLED
HOLES.



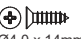
Detail 3

STEP 6

PARTS REQUIRED

6 - RIGHT SIDE PANEL x1

HARDWARE REQUIRED

C  08
Ø4,0 x 14mm

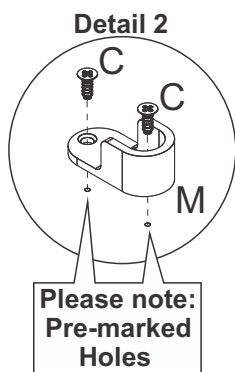
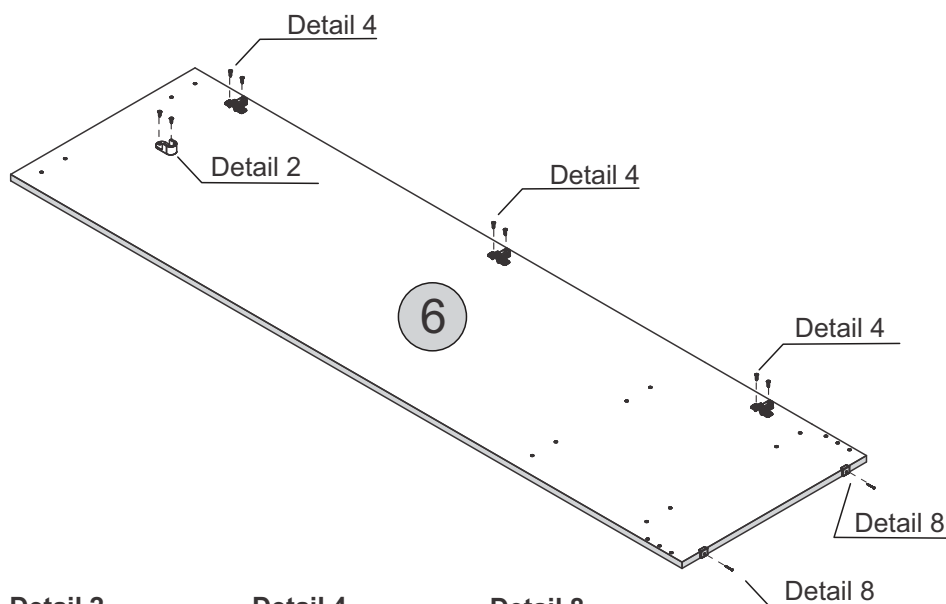
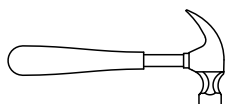
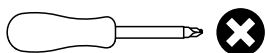
H  02

L  02

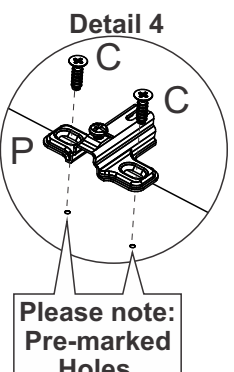
M  01

P  03

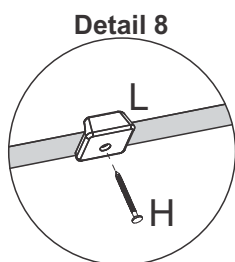
TOOLS REQUIRED



Please note:
Pre-marked
Holes



Please note:
Pre-marked
Holes



STEP 7

PARTS REQUIRED


7 - FRONT BASEBOARD x1


8 - BACK BASEBOARD x1

HARDWARE REQUIRED

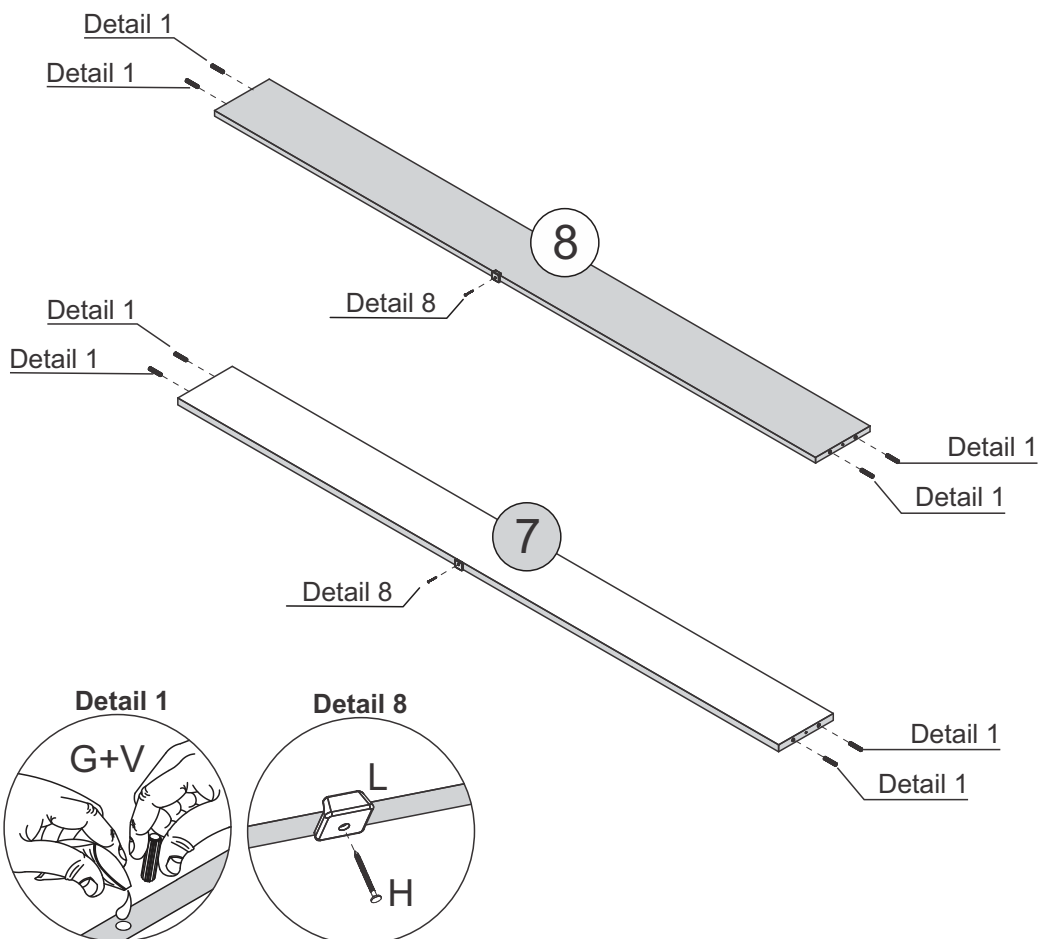
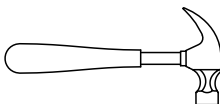
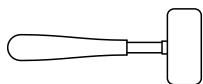
H  02

L  02

G  08
Ø6,0 x 30mm

V  01

TOOLS REQUIRED




STEP 8


PARTS REQUIRED

1 - BASE PANEL x2

5 - SHELF x1

HARDWARE REQUIRED

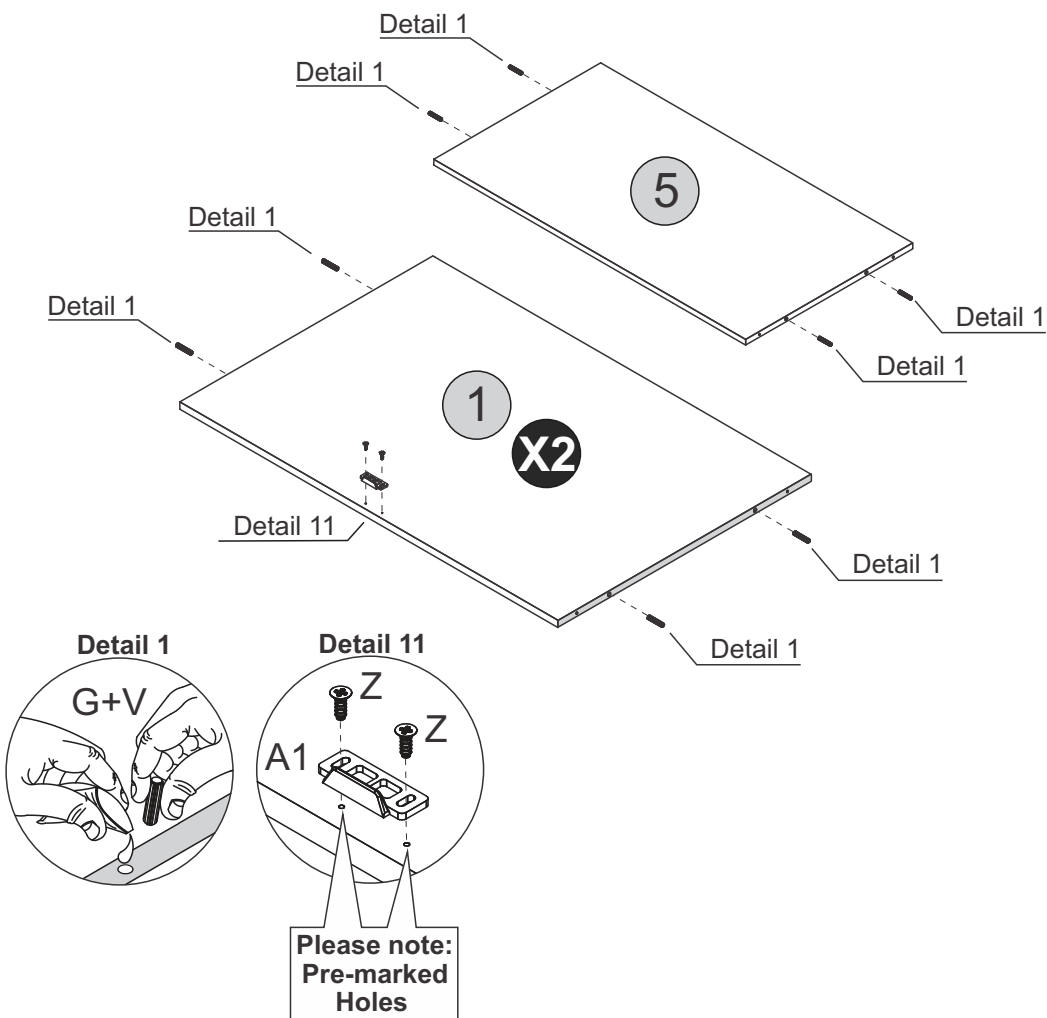
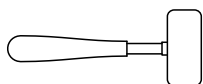
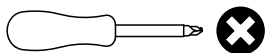
G  12
Ø6,0 x 30mm

V  01

Z  04
Ø4,0 x 12mm

A1  02

TOOLS REQUIRED




STEP 9


PARTS REQUIRED

3 - TOP PANEL x1

HARDWARE REQUIRED

G  04
Ø6,0 x 30mm

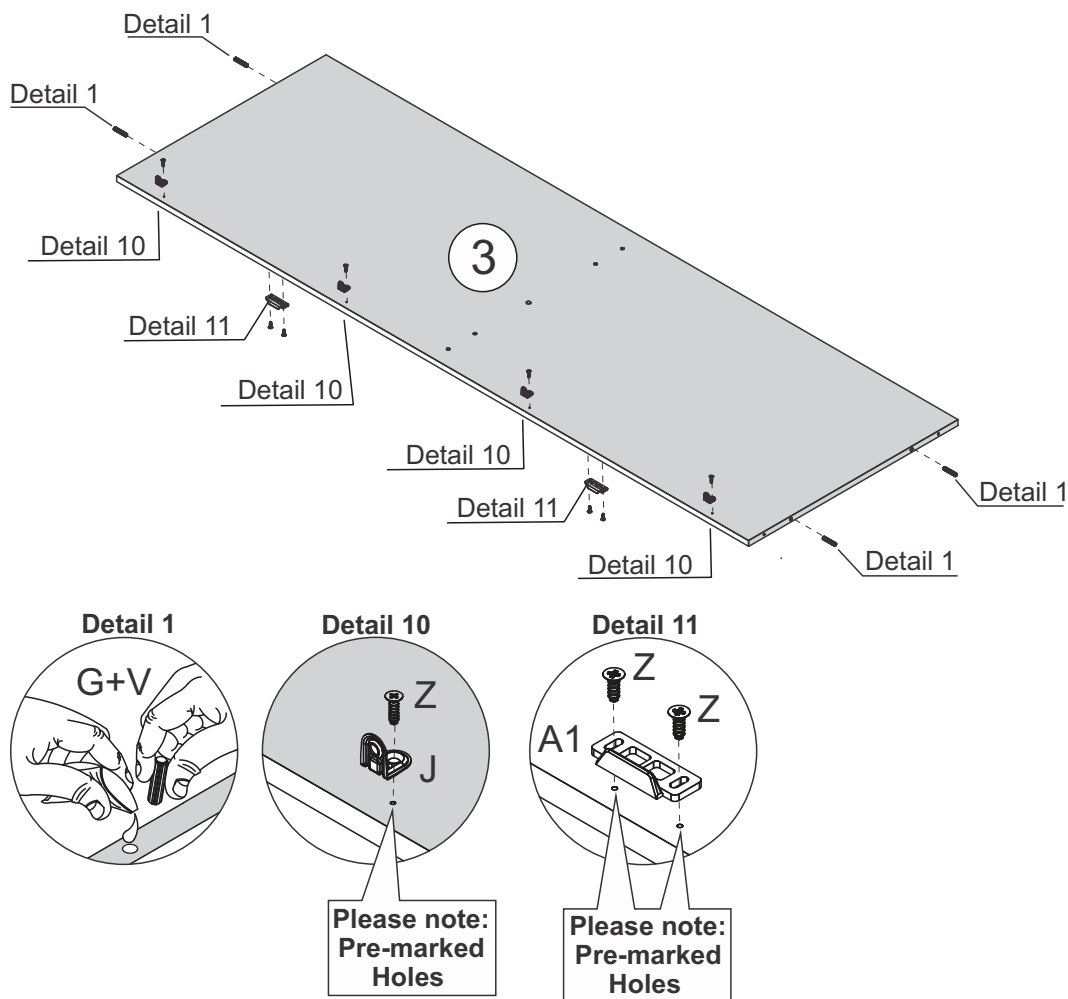
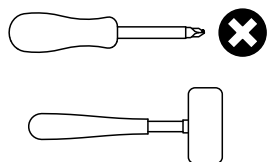
J  04

V  01
Glue

Z  08
Ø4,0 x 12mm

A1  02

TOOLS REQUIRED



STEP 10

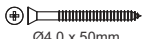
PARTS REQUIRED


1 - BASE PANEL x2

2 - DIVISION PANEL x1

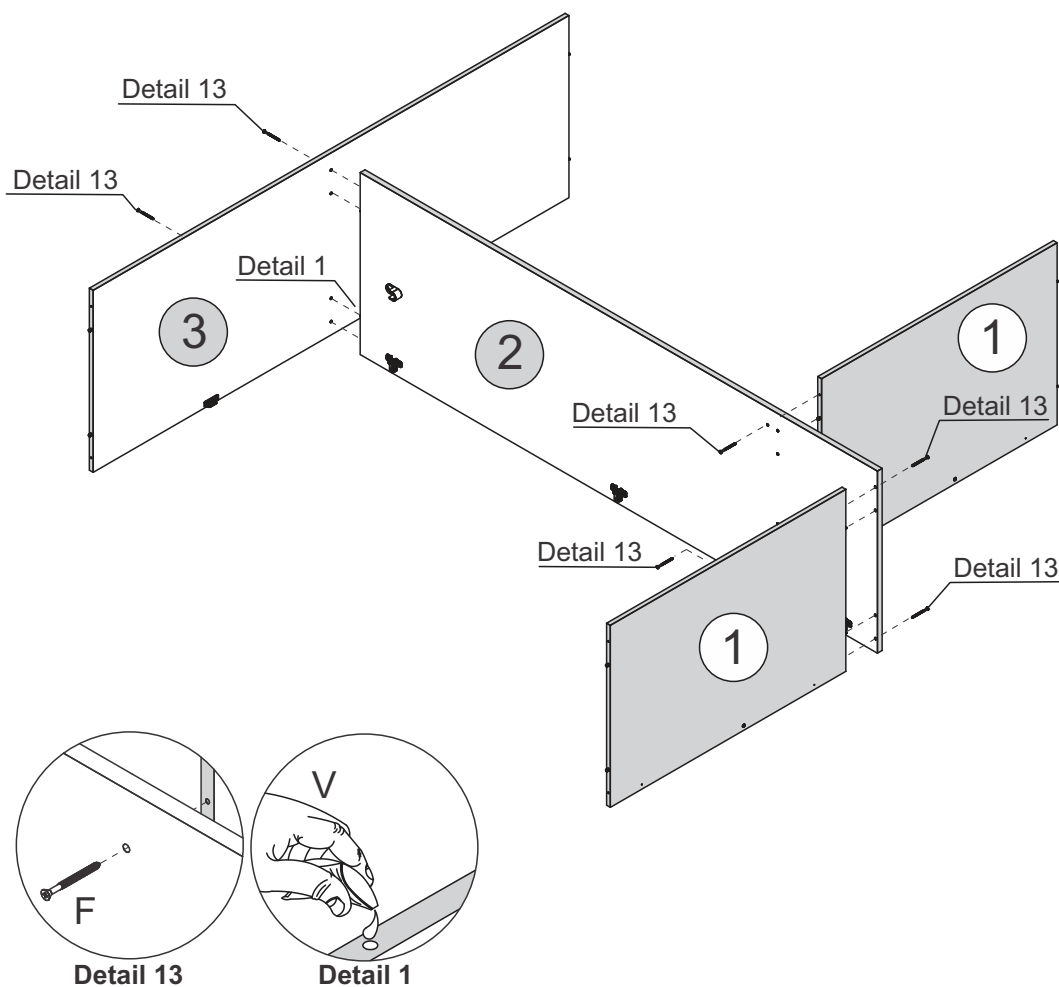
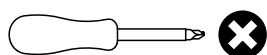
3 - TOP PANEL x1

HARDWARE REQUIRED

F  06
Ø4,0 x 50mm

V  01
Glue

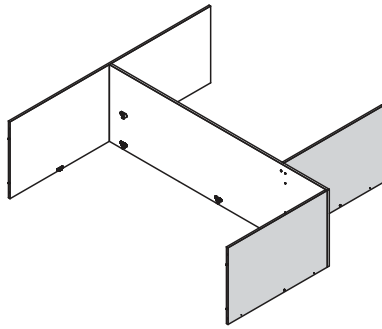
TOOLS REQUIRED



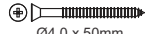
STEP 11

PARTS REQUIRED

4 - LEFT SIDE PANEL x1

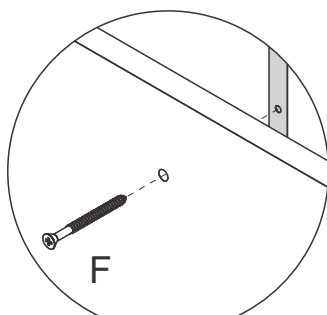
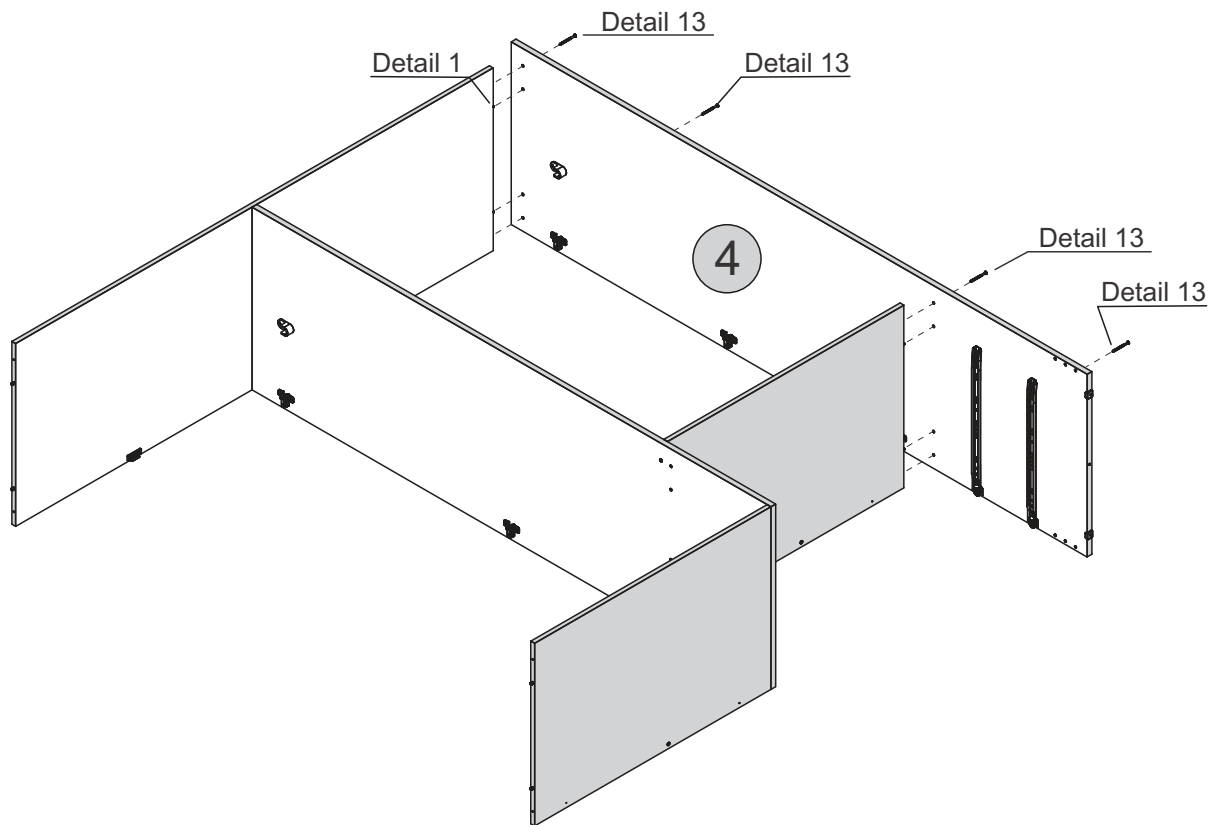
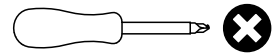


HARDWARE REQUIRED

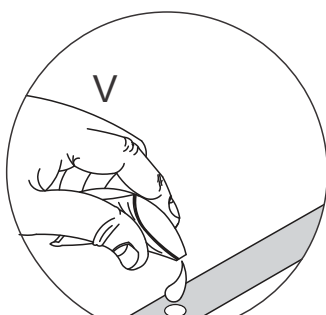
F  04
Ø4,0 x 50mm

V  01
Glue

TOOLS REQUIRED



Detail 13



Detail 1



STEP 12

SEC/SW/04/23/CA6

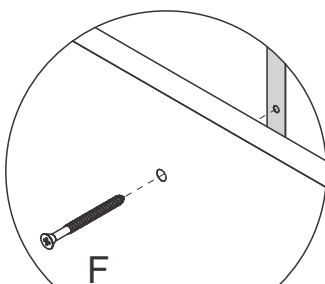
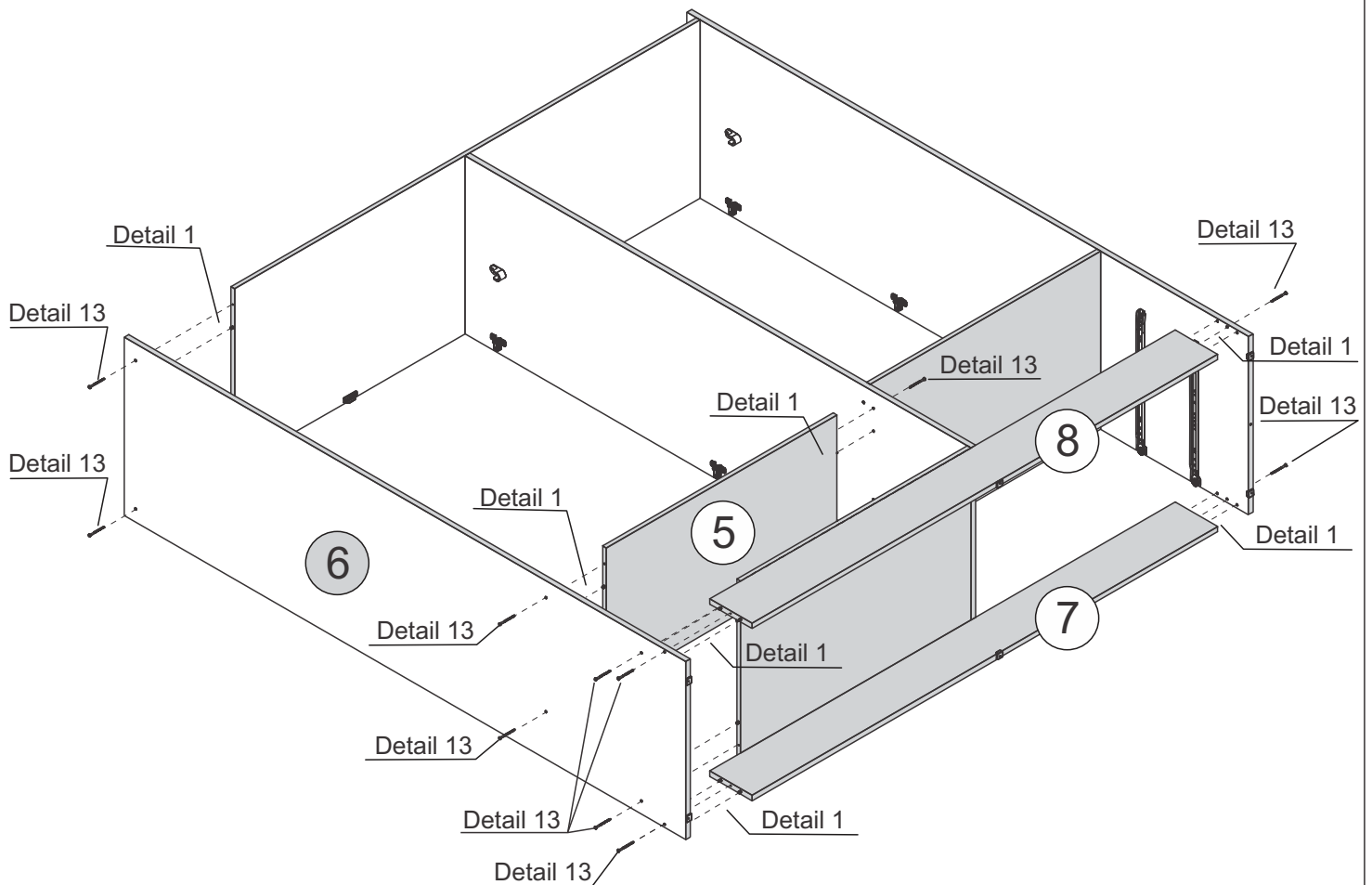
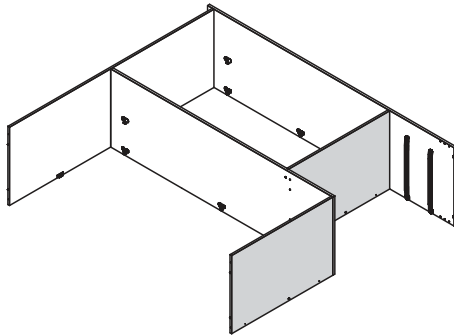
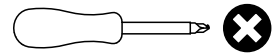
PARTS REQUIRED

5 - SHELF	x1
6 - RIGHT SIDE PANEL	x1
7 - FRONT BASEBOARD	x1
8 - BACK BASEBOARD	x1

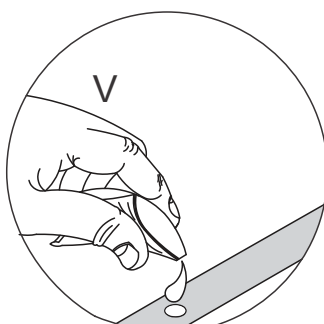
HARDWARE REQUIRED

F	 Ø4,0 x 50mm	12
V	 Glue	01

TOOLS REQUIRED



Detail 13




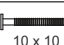
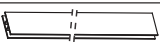
Detail 1

STEP 13

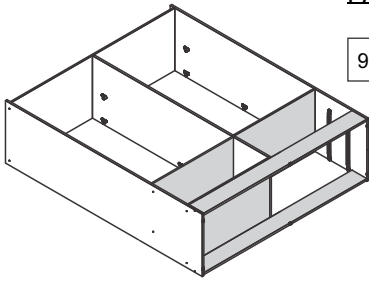
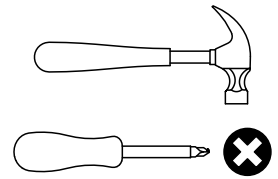
PARTS REQUIRED

9 - BACK PANEL x4

HARDWARE REQUIRED

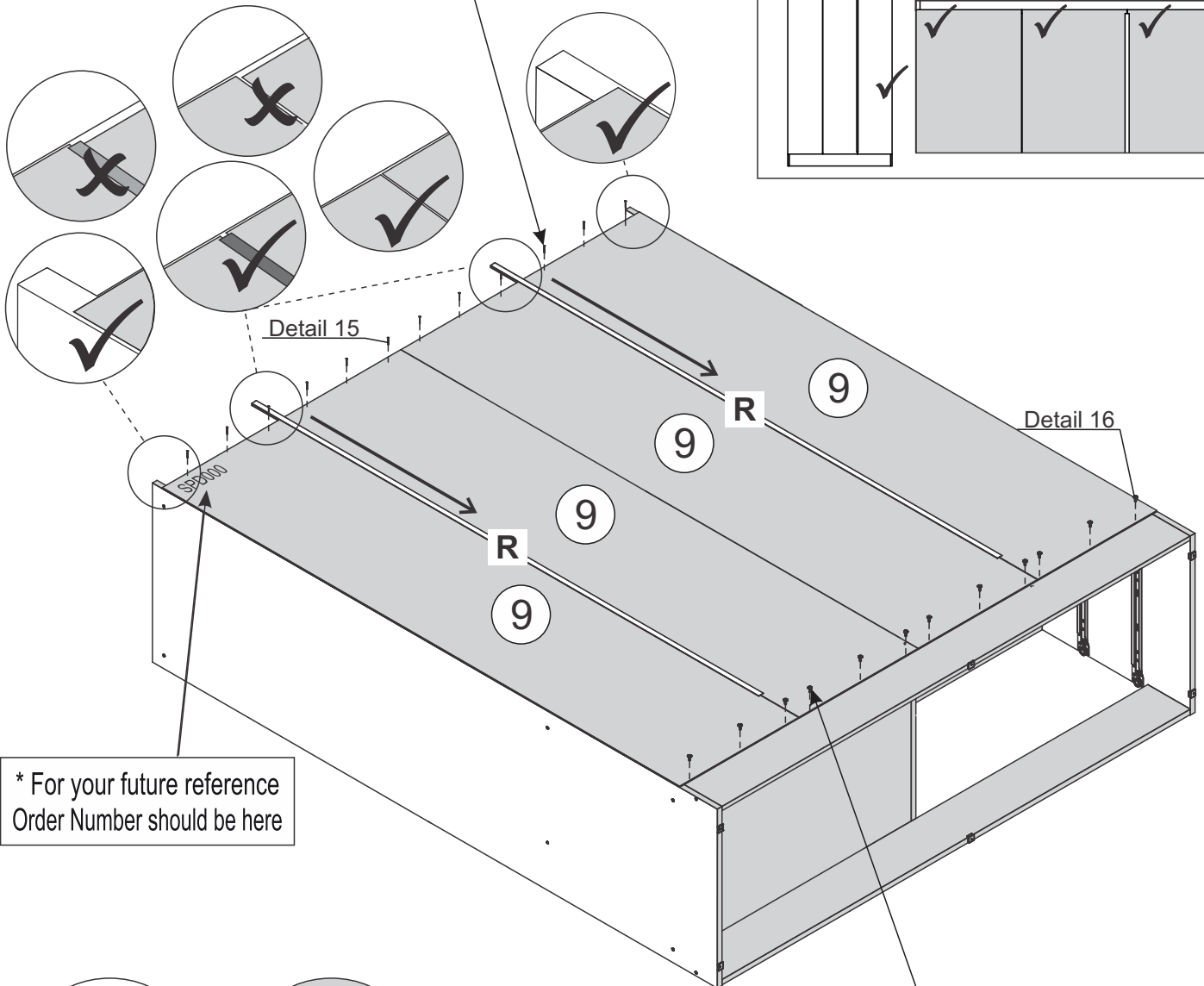
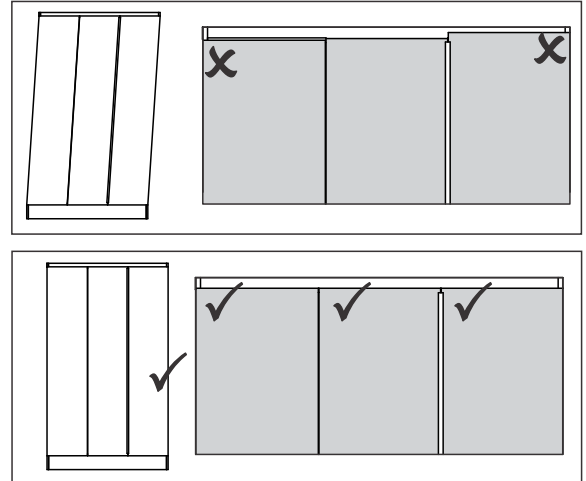
- B  12
Ø4,0 x 14mm
- H  12
10 x 10
- R  02

TOOLS REQUIRED



IMPORTANT PLEASE FOLLOW !

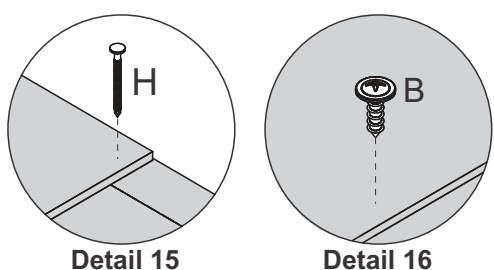
Please make sure Part 9 is lined up correctly at the top before placing fitting H into the panel as this can affect the alignment of the doors once assembled.



* For your future reference
Order Number should be here

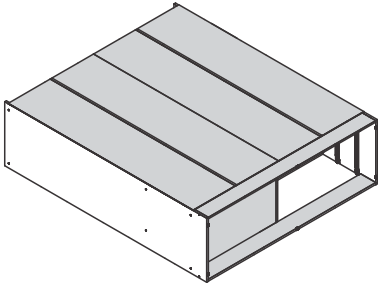
IMPORTANT PLEASE FOLLOW !

Please make sure Part 9 isn't overhanging at the sides before you screw fitting B into the plinth.





STEP 14

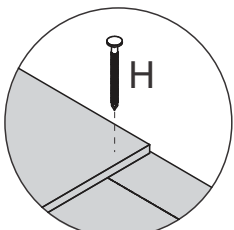
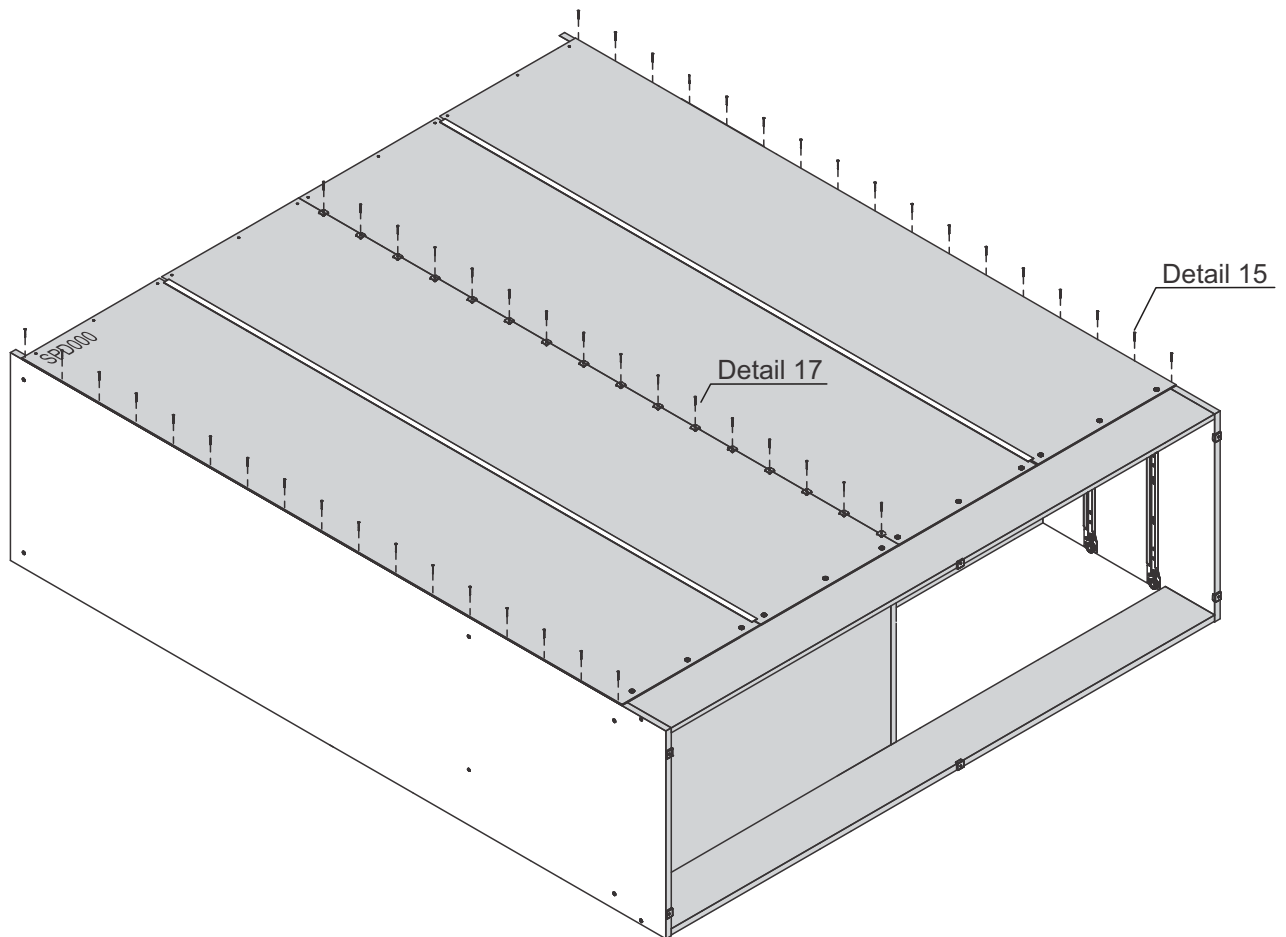
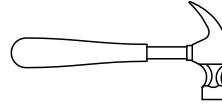
PARTS REQUIRED



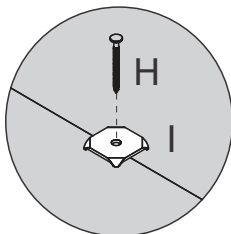
HARDWARE REQUIRED

H	 10 x 10	50
I		16

TOOLS REQUIRED



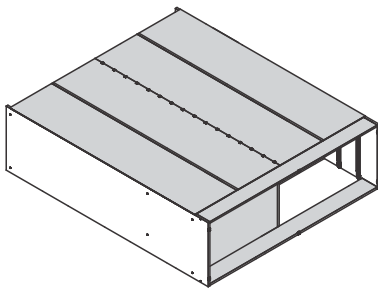
Detail 15



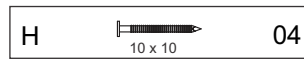
Detail 17

STEP 15

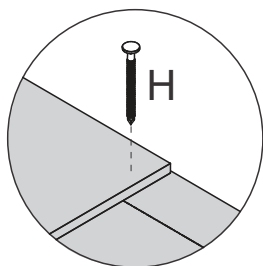
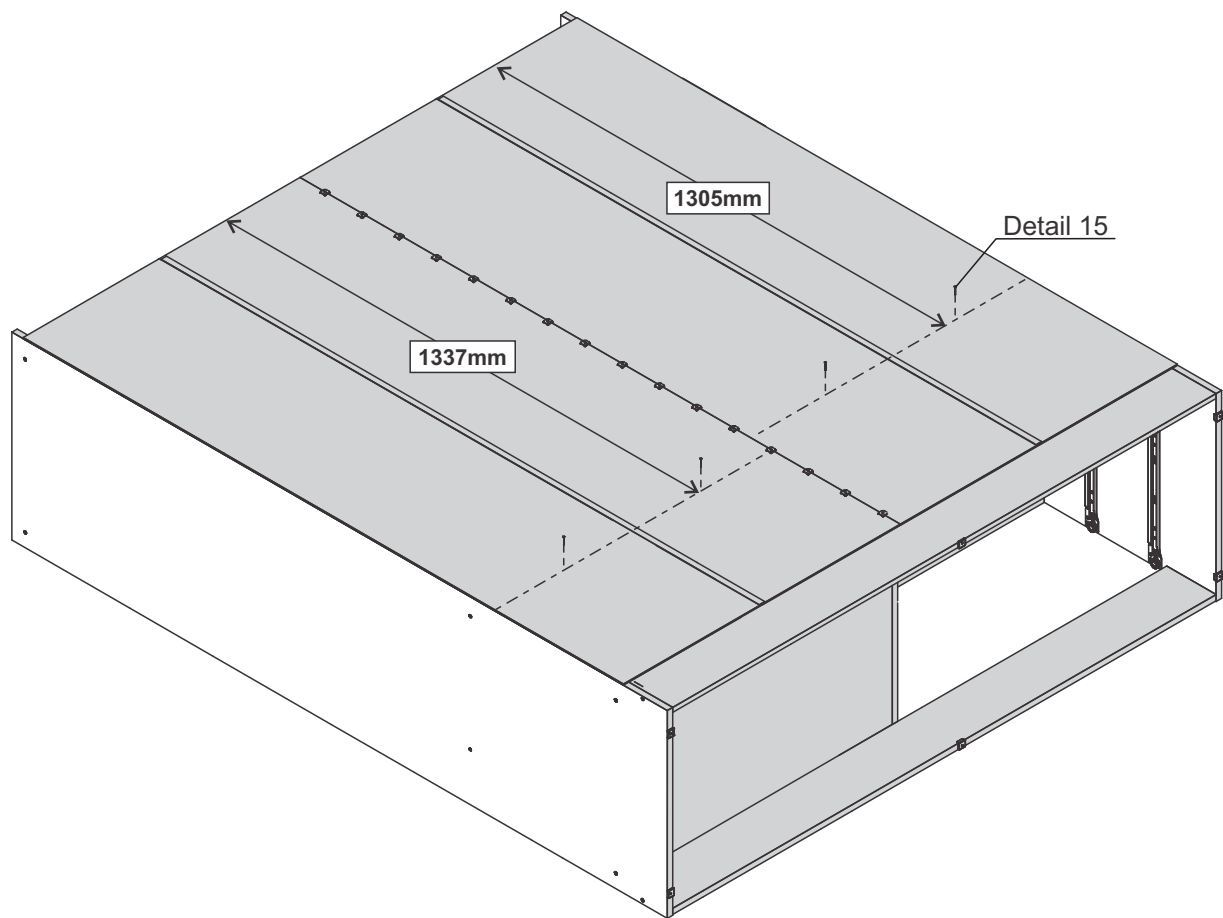
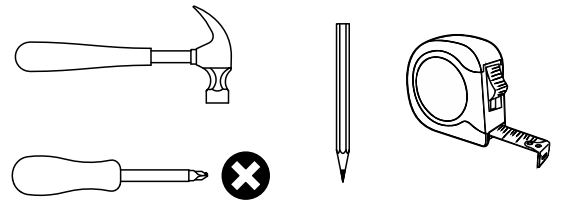
PARTS REQUIRED



HARDWARE REQUIRED



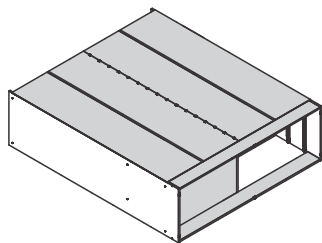
TOOLS REQUIRED



Detail 15

STEP 16

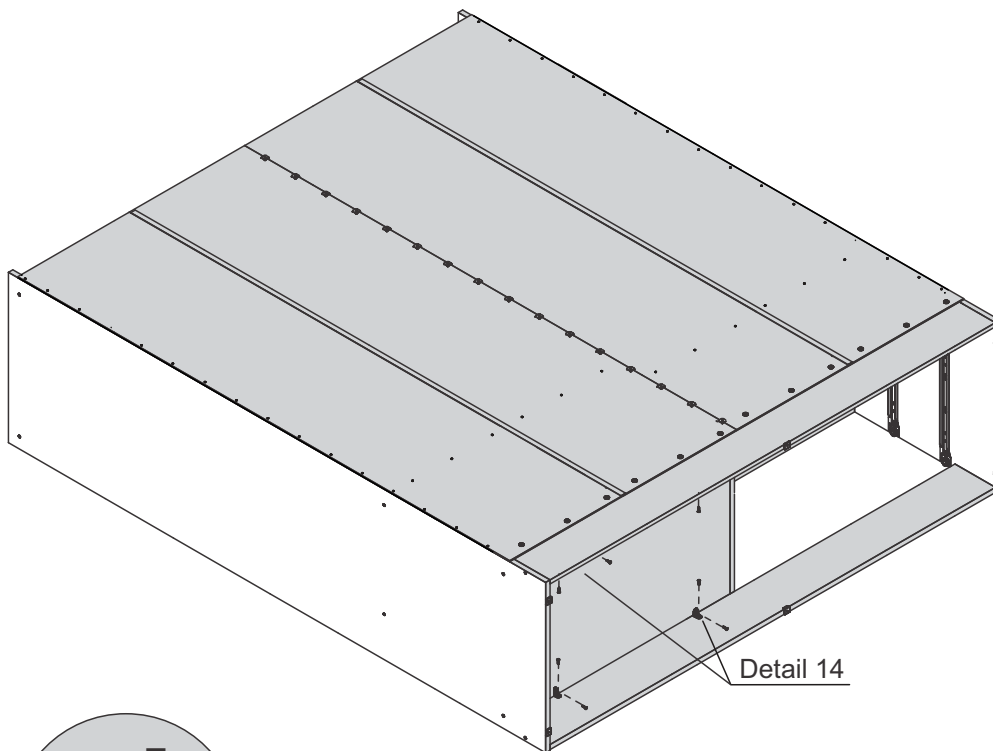
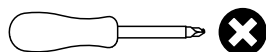
PARTS REQUIRED



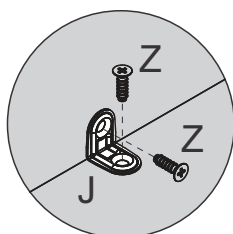
HARDWARE REQUIRED



TOOLS REQUIRED



Detail 14

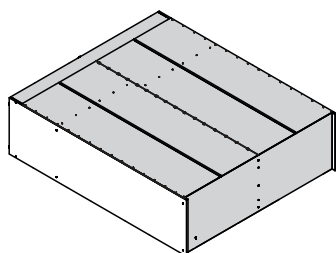


Detail 14

STEP 17

PARTS REQUIRED

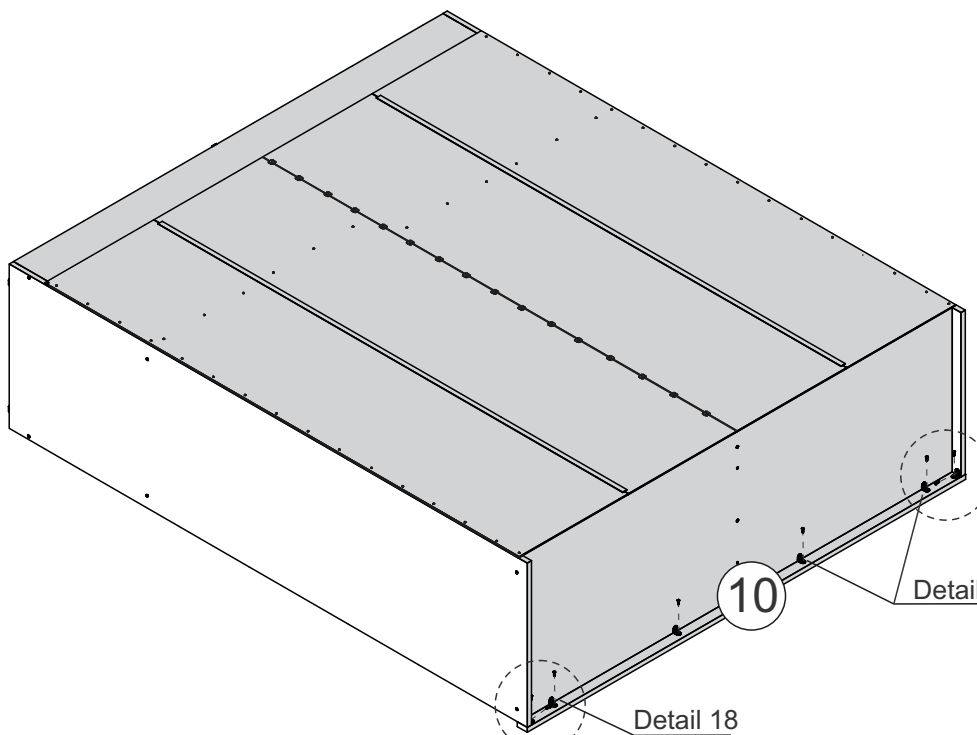
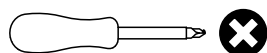
10 - FRAME x1



HARDWARE REQUIRED



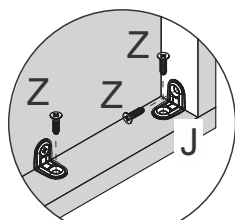
TOOLS REQUIRED



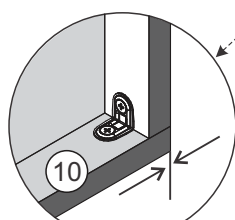
10

Detail 18

Detail 18



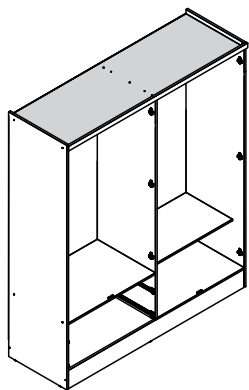
Detail 18



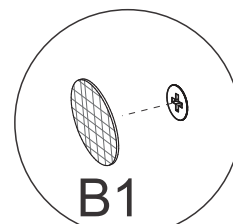
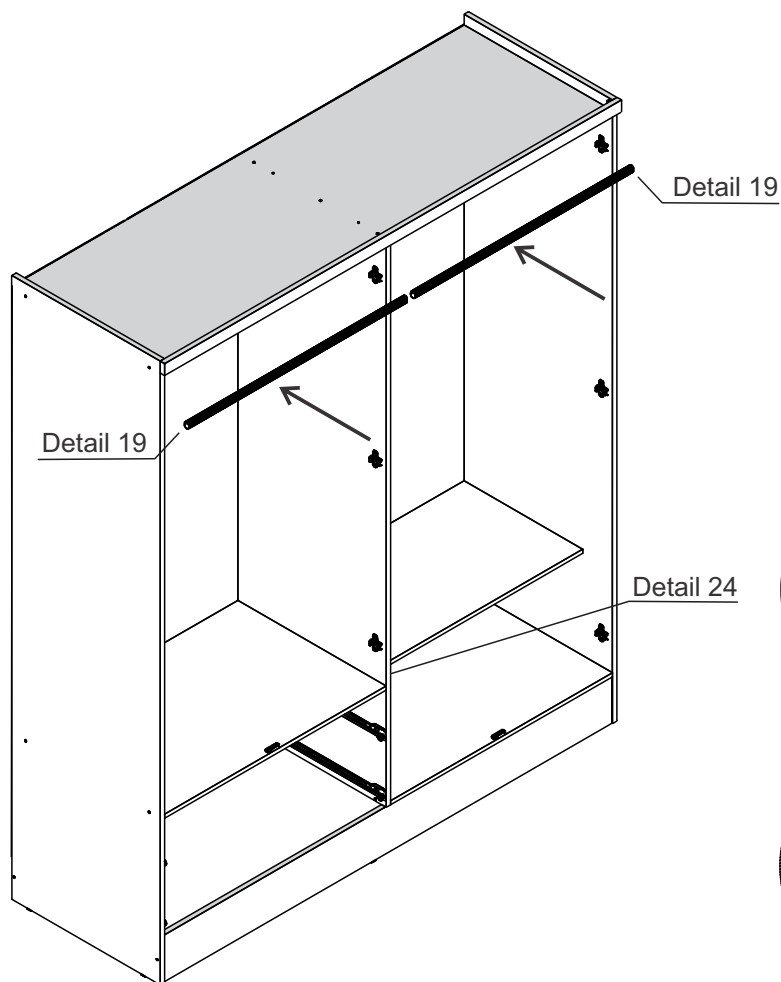
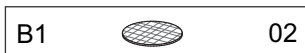
Align corners

STEP 18

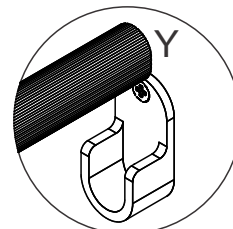
PARTS REQUIRED



HARDWARE REQUIRED



Detail 24



Detail 19

STEP 19

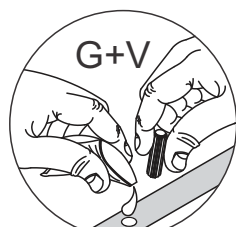
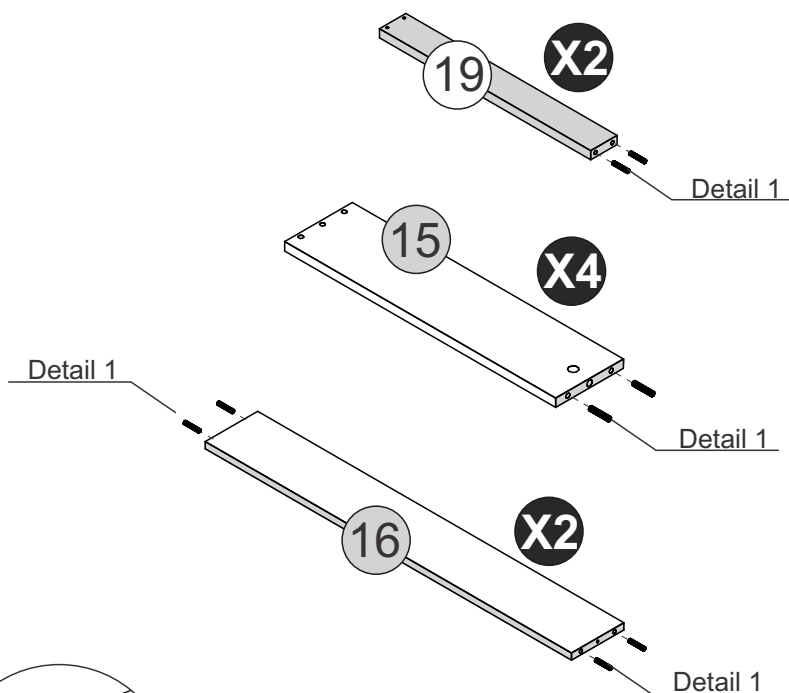
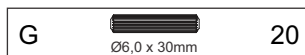
PARTS REQUIRED

15 - DRAWER SIDE	x4
------------------	----

16 - DRAWER BACK PANEL	x2
------------------------	----

19 - DRAWER BOTTOM SUPPORT BARx2	
----------------------------------	--

HARDWARE REQUIRED




Detail 1

STEP 20

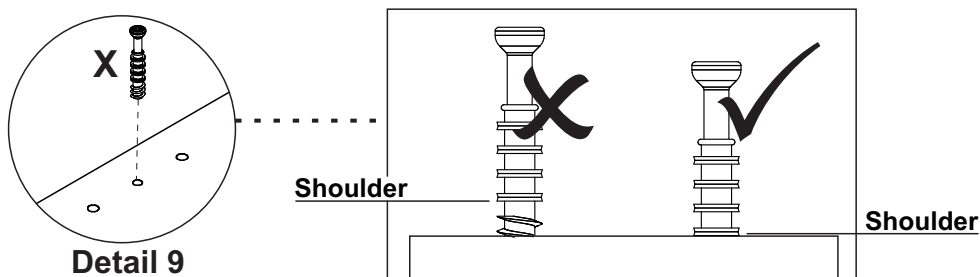
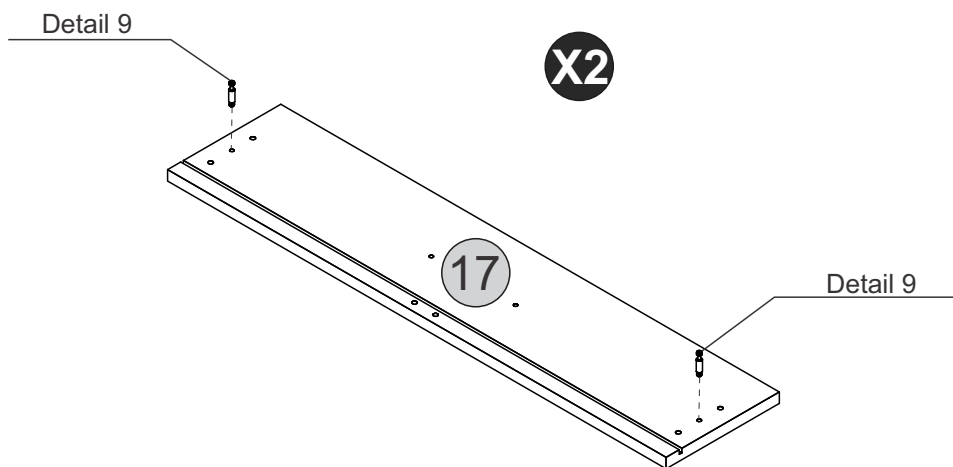
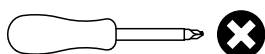
PARTS REQUIRED

17 - DRAWER FRONT x2

HARDWARE REQUIRED

X  04

TOOLS REQUIRED




STEP 21

PARTS REQUIRED

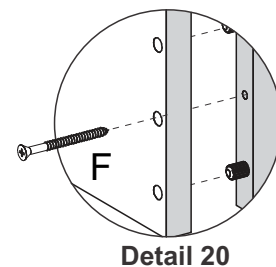
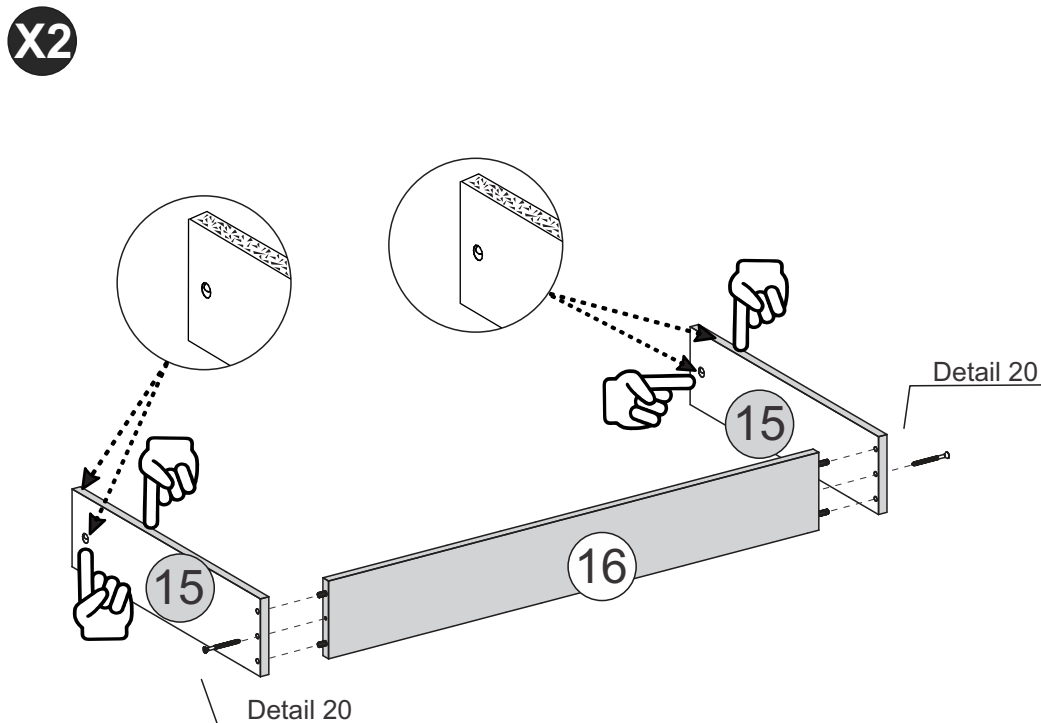
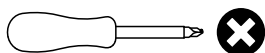
15 - DRAWER SIDE x4

16 - DRAWER BACK PANEL x2

HARDWARE REQUIRED

F  Ø4,0 x 50mm 04

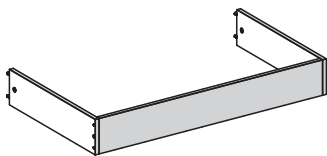
TOOLS REQUIRED




STEP 22


PARTS REQUIRED


17 - DRAWER FRONT x2



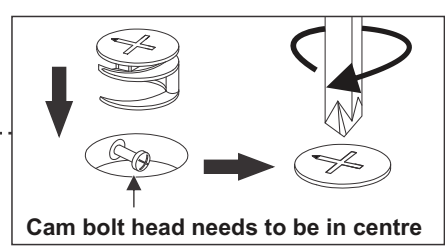
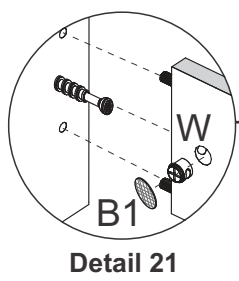
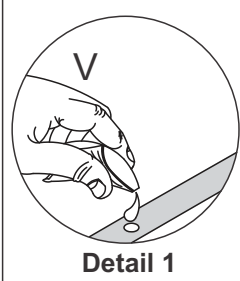
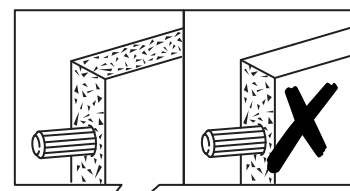
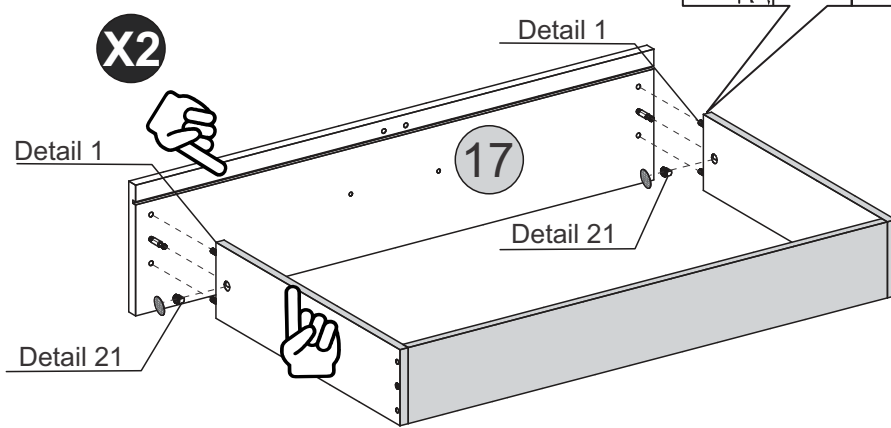
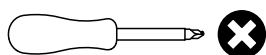
HARDWARE REQUIRED

B1  04

V  01

W  04

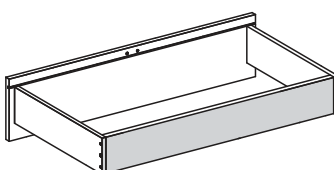
TOOLS REQUIRED




STEP 23

PARTS REQUIRED

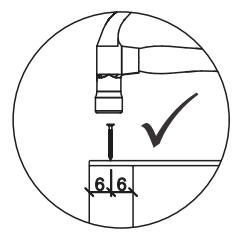
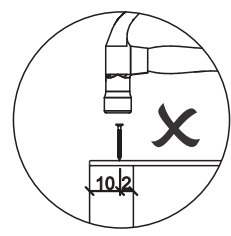
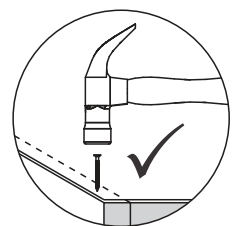
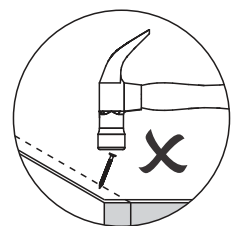
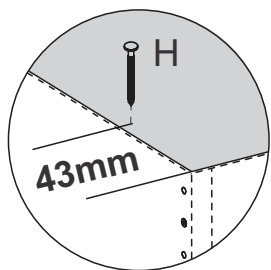
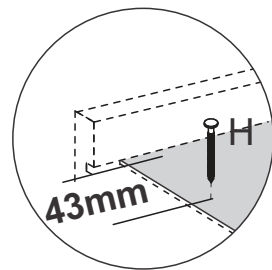
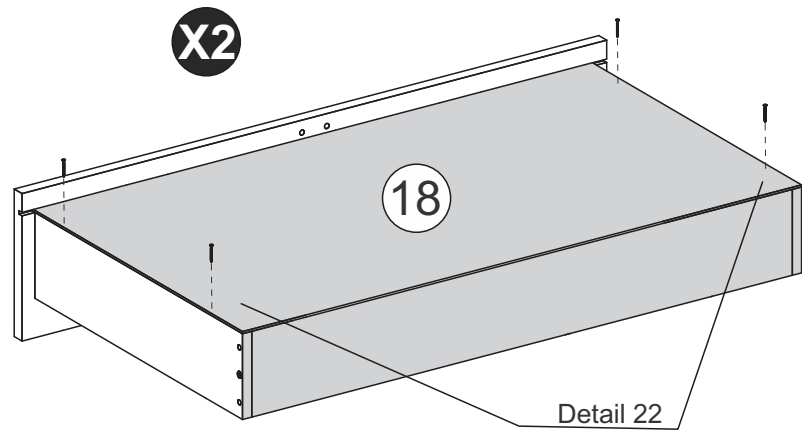
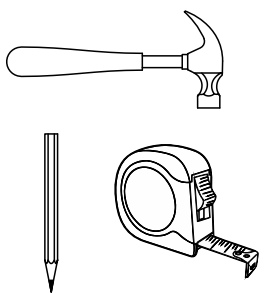
18 - DRAWER BOTTOM x2



HARDWARE REQUIRED

H  10 x 10 08

TOOLS REQUIRED

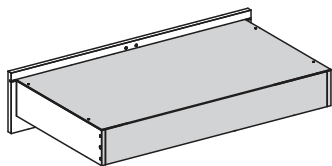


Detail 22


STEP 24


PARTS REQUIRED

19 - DRAWER BOTTOM SUPPORT BAR x2

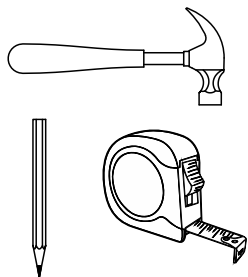


HARDWARE REQUIRED

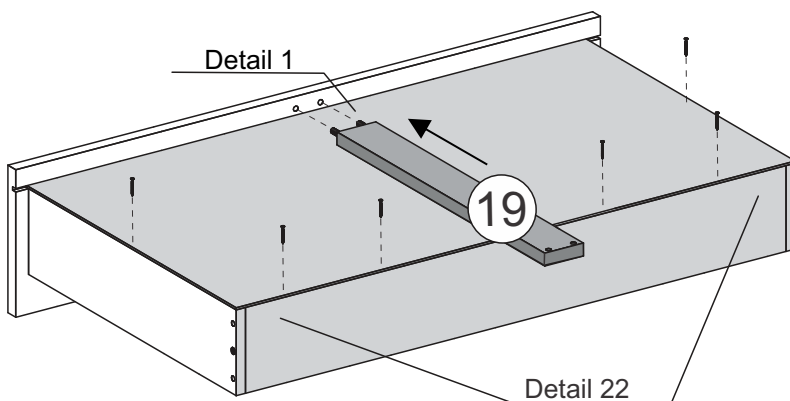
H  12

V  01

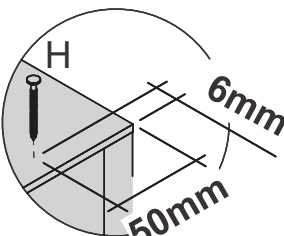
TOOLS REQUIRED



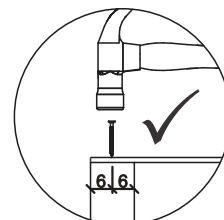
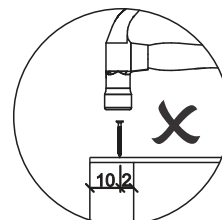
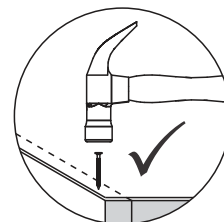
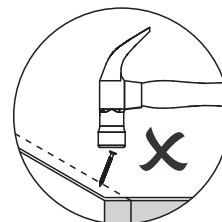
X2



Detail 1

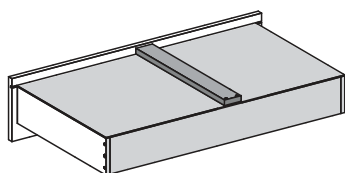


Detail 22

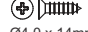


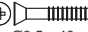
STEP 25

PARTS REQUIRED



HARDWARE REQUIRED

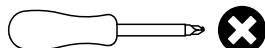
C  08

E  04

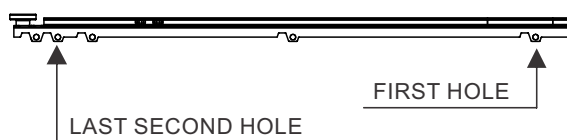
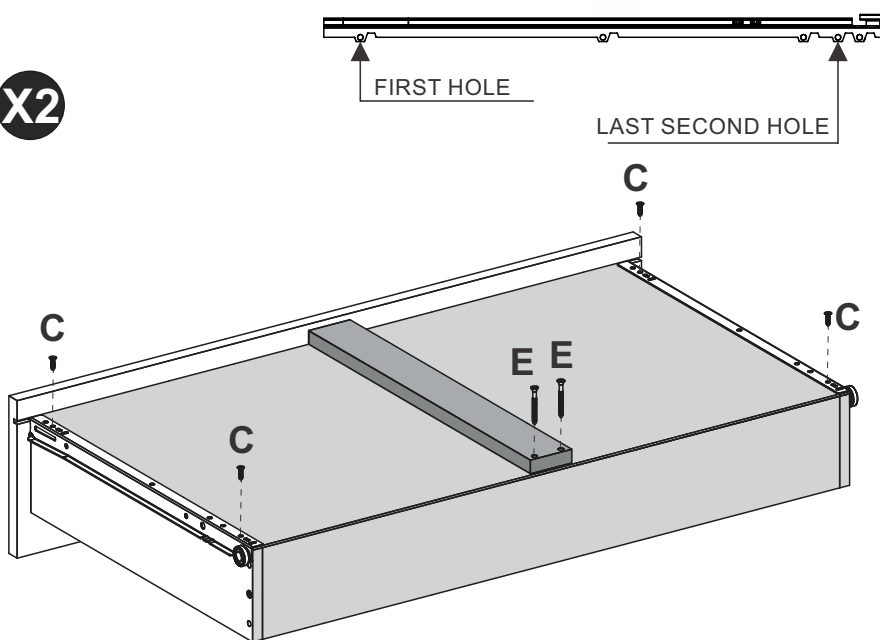
Q  02

Q  02

TOOLS REQUIRED



X2





STEP 26

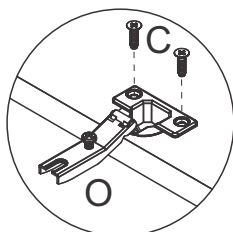
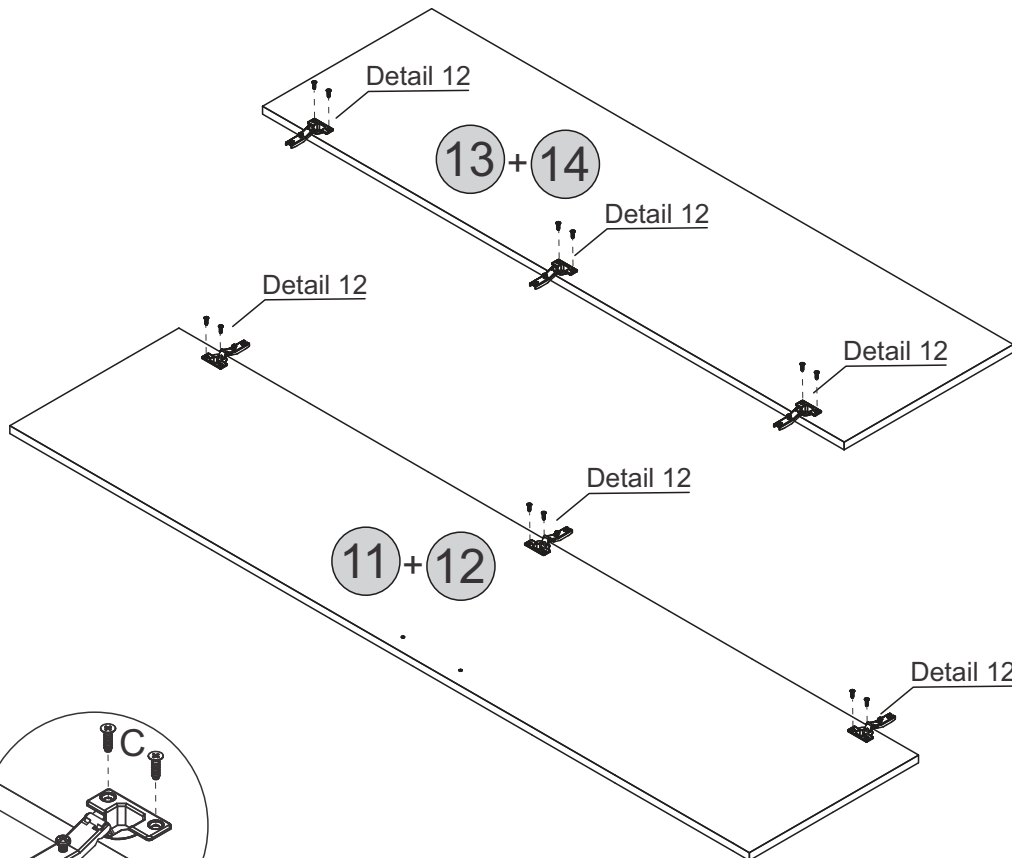
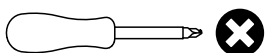
PARTS REQUIRED

- 11 - RIGHT LARGE DOOR x1
- 12 - LEFT LARGE DOOR x1
- 13 - RIGHT SMALL DOOR x1
- 14 - LEFT SMALL DOOR x1

HARDWARE REQUIRED

- C  24
Ø4,0 x 14mm
- O  12

TOOLS REQUIRED

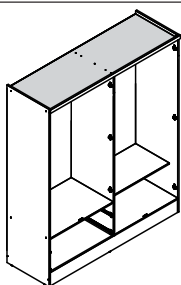


Detail 12


STEP 27

PARTS REQUIRED

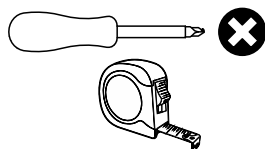
- 11 - RIGHT LARGE DOOR x1
- 12 - LEFT LARGE DOOR x1
- 13 - RIGHT SMALL DOOR x1
- 14 - LEFT SMALL DOOR x1



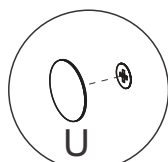
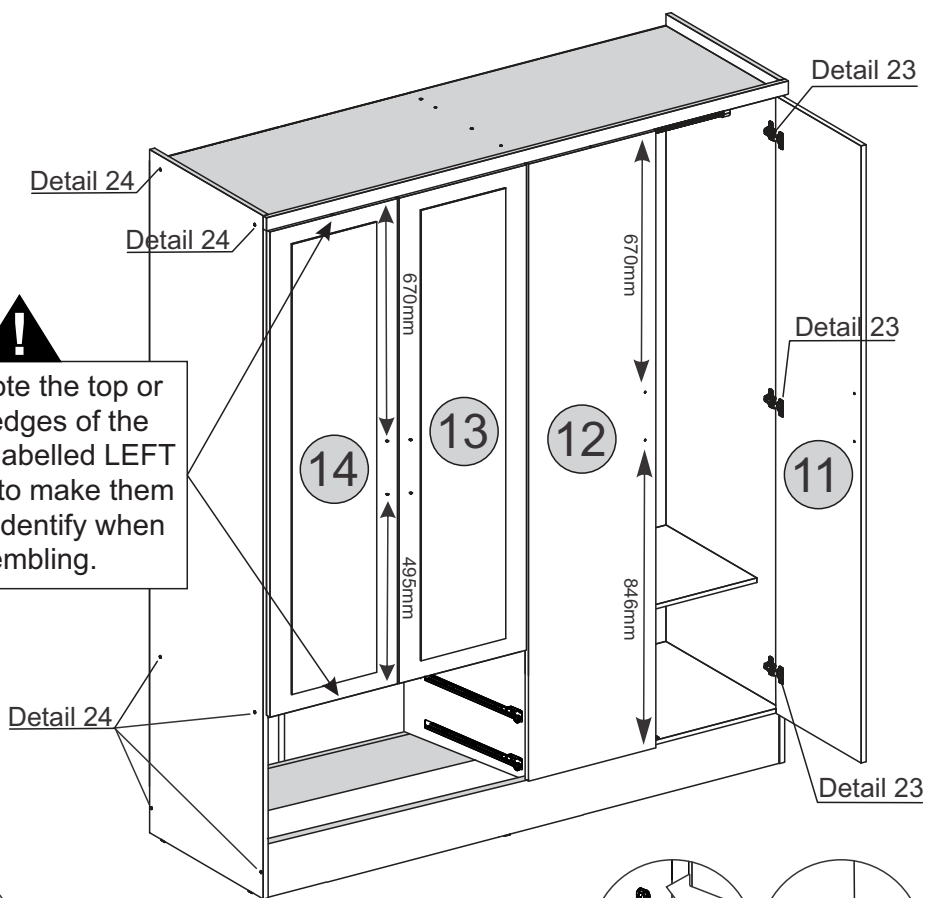
HARDWARE REQUIRED

- U  14

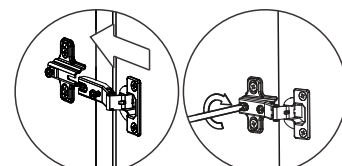
TOOLS REQUIRED



!
Please note the top or bottom edges of the doors are labelled LEFT or RIGHT to make them easier to identify when assembling.



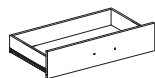
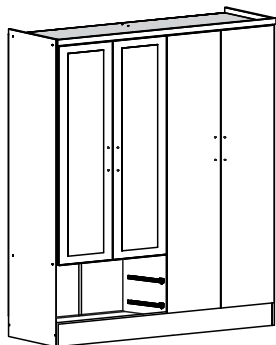
Detail 24



Detail 23

STEP 28

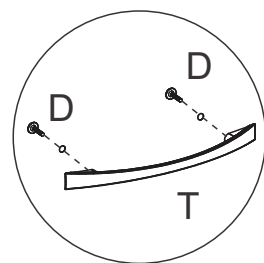
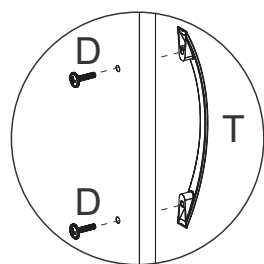
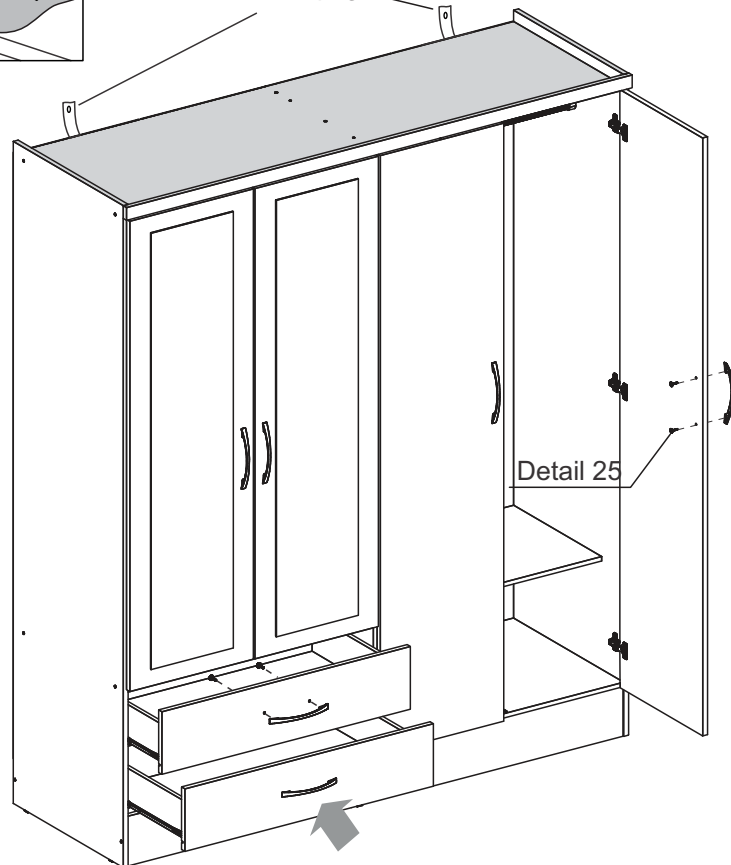
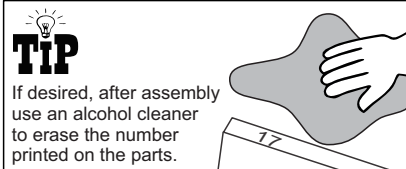
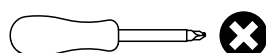
PARTS REQUIRED



HARDWARE REQUIRED



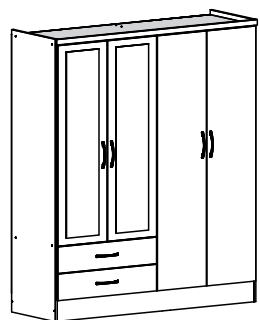
TOOLS REQUIRED



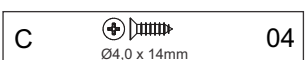
Detail 25

STEP 29

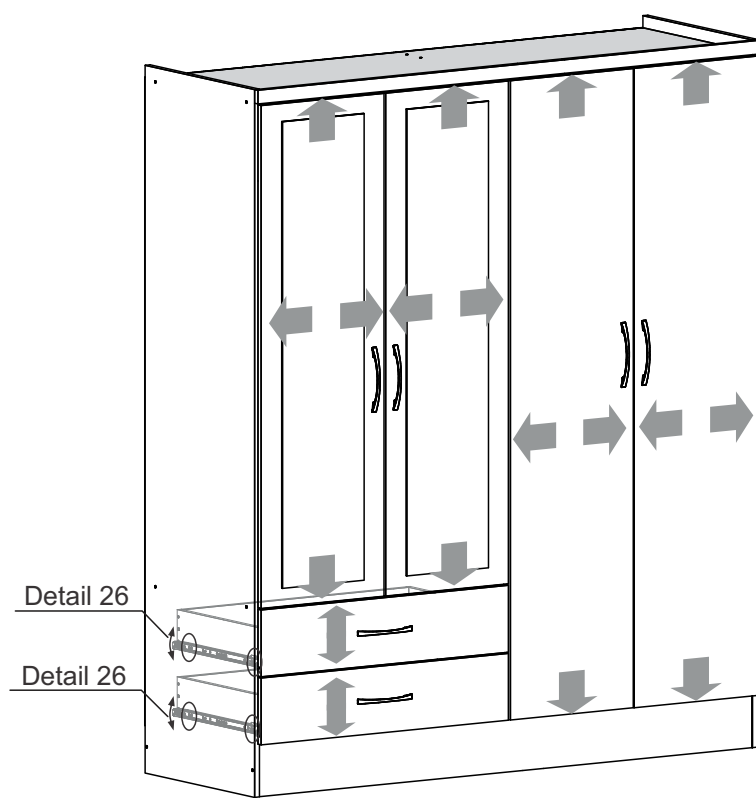
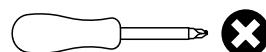
PARTS REQUIRED



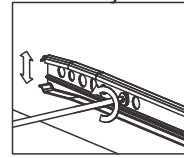
HARDWARE REQUIRED



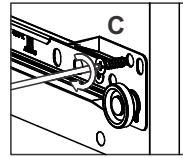
TOOLS REQUIRED



Drawer Adjustment

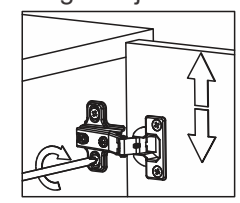


Drawer Lock

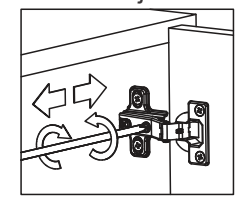


Detail 26

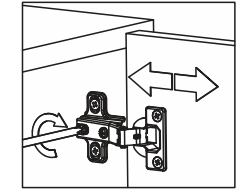
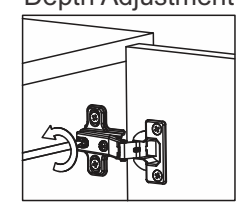
Height Adjustment



Internal Adjustment



Depth Adjustment

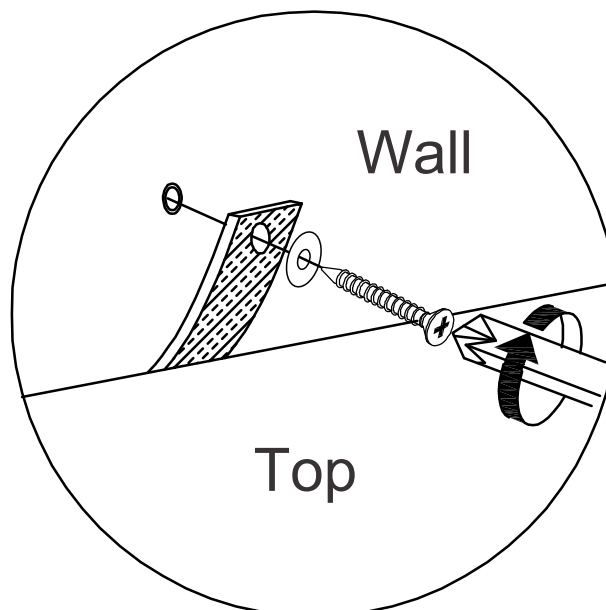
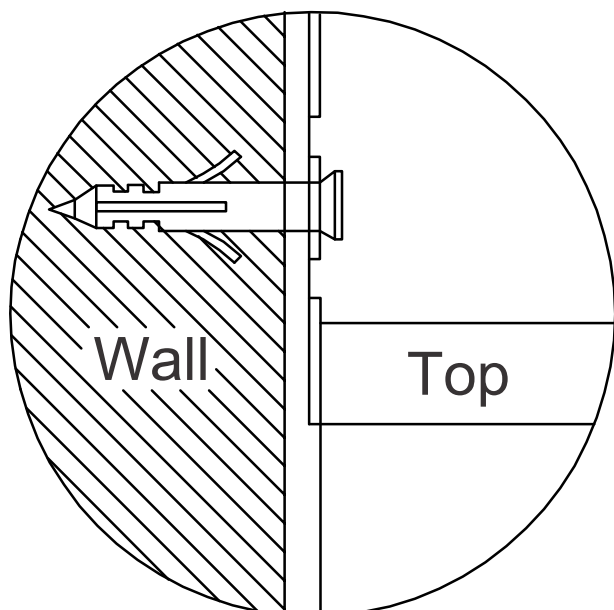
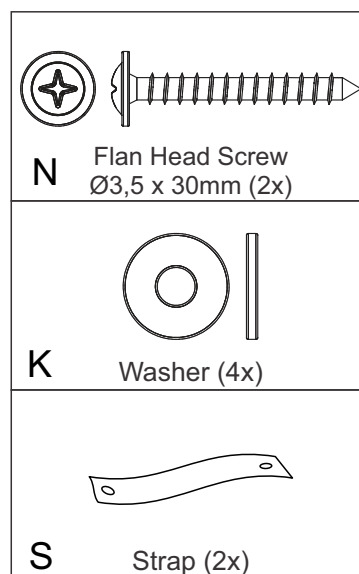
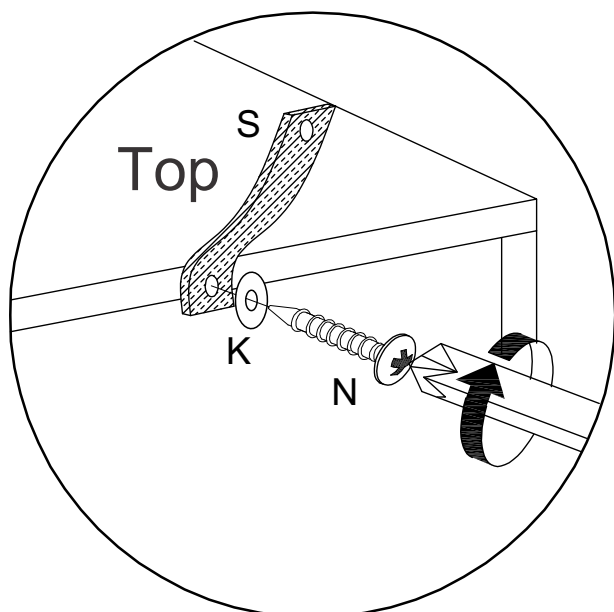


WARNING

Serious or fatal injuries can occur from furniture tipping over. To prevent the furniture from tipping over we recommend that it is permanently fixed to the wall.

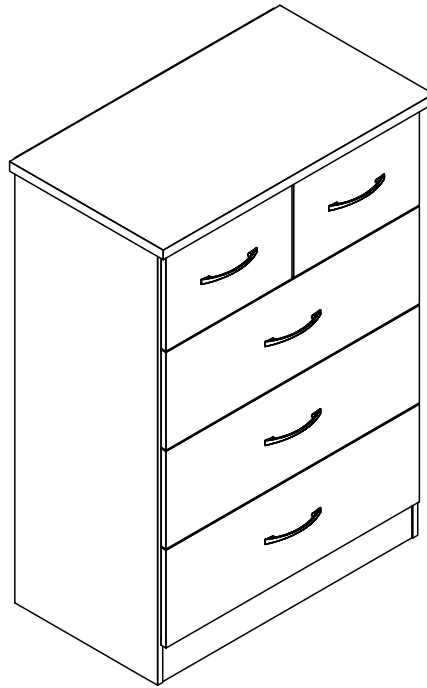
Wall fixings are not supplied with this product as different wall materials require different types of fixing devices.

Please make sure you use fixings suitable for the walls in your home.



NEVADA 3+2 DRAWER CHEST

ASSEMBLY INSTRUCTIONS



IMPORTANT FOR DOMESTIC USE ONLY


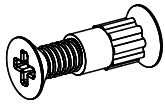
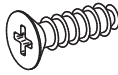

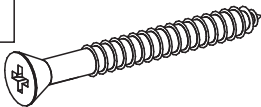






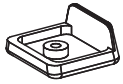
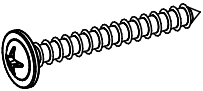
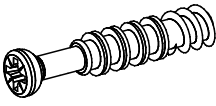


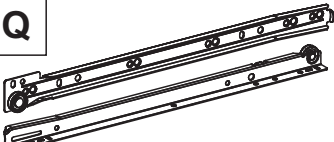
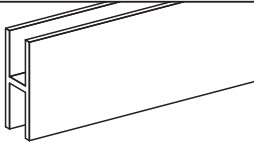


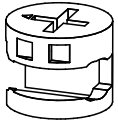
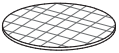
PLEASE READ BEFORE YOU CONTINUE FURTHER

CARE AND MAINTENANCE

After unpacking this product please keep the original packaging in case it needs to be returned for any reason.

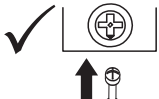
- Please ensure all fittings and parts are present before commencing with assembly.
- Never drag or push products as this could cause damage to the joints making it inferior.
- We strongly recommend that you keep children away from your work area.
- We recommend that you lay a blanket or sheet on the floor to avoid damage to both your floor and the product.
- Assemble this product as close to its final position as possible.
- Do not place this product next to a radiator or in direct sunlight.
- Do not drag or push items across your high gloss furniture as this may cause the surface to scratch
- Wood is a natural product and may expand if subjected to damp and may shrink or crack if subjected to heat. Therefore it is recommended that room temperature is maintained, with no sudden temperature fluctuations.
- Make sure any spillage is wiped off immediately.
- Do not place hot or chilled items directly on to the surface, use a place mat or marking will occur.
- For general cleaning use a soft cotton or micro fibre cloth, and do not use detergents of any kind.
- From time to time it may be necessary to tighten fittings, regular inspections should be carried out.
- Do not place on a wet or damp floor as staining may occur to your floor.

FITTINGS LIST

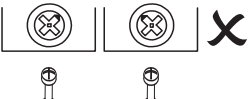
<p>A</p>  <p>Flat Head Screw 2/+ Ø6,0 x 10mm (16x)</p>	<p>B</p>  <p>Double Flat Head Screw 1/+ Ø4,0 x 18mm (2x)</p>	<p>C</p>  <p>Flat Head Screw 2/+ Ø4,0 x 14mm (30x)</p>	<p>D</p>  <p>Flan Head Screw 2/+ Ø4,0 x 20mm (10x)</p>
<p>E</p>  <p>Flat Head Screw 1/+ Ø3,5 x 40mm (6x)</p>	<p>F</p>  <p>Flat Head Screw 2/+ Ø4,0 x 50mm (19x)</p>	<p>G</p>  <p>2/+ Dowel Ø6,0 x 30mm (69x)</p>	<p>H</p>  <p>2/+ Nail 10 x 10 (84x)</p>
<p>I</p>  <p>1/+ Back Panel Bracket (2x)</p>	<p>J</p>  <p>2/+ Cam Nut Ø12mm (10x)</p>	<p>K</p>  <p>1/+ Washer (4x)</p>	<p>L</p>  <p>1/+ Plastic Foot (6x)</p>
<p>M</p>  <p>1/+ Flan Head Screw Ø3,5 x 30mm (2x)</p>	<p>N</p>  <p>2/+ Cam Bolt (16x)</p>	<p>O</p>  <p>2/+ Hole Plugs (8x)</p>	<p>P</p>  <p>Glue (2x)</p>
<p>Q</p>  <p>Drawer Runners (5x)</p>	<p>R</p>  <p>Back Panel Strip (1x)</p>	<p>S</p>  <p>Strap (2x)</p>	<p>T</p>  <p>Handle (5x)</p>
<p>U</p>  <p>1/+ Cam Nut Ø15mm (6x)</p>	<p>V</p>  <p>2/+ Hole Plugs (10x)</p>		

TIPS FOR FITTINGS CAM-LOCKS

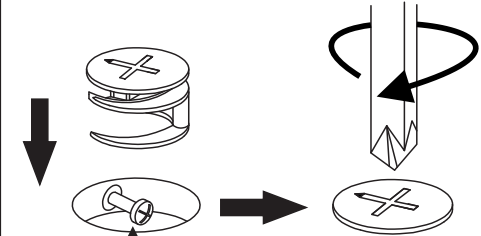
WHEN FITTING CAM NUT, ENSURE STARTING POSITION IS CORRECT BEFORE YOU INSERT. CONNECTING CAM BOLT TURN CLOCKWISE UNTIL SECURE



↑
CORRECT



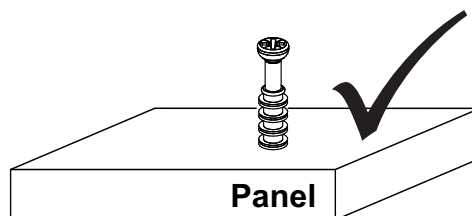
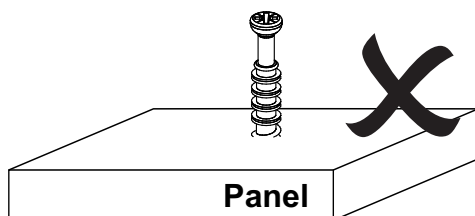
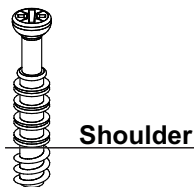
↓
WRONG



Cam bolt head needs to be in centre

CAMBOLT

Tighten until shoulder in flush with panel. Do not overtighten or undertighten (see example beside)

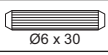


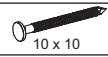
STEP 1

PARTS REQUIRED

2 - LEFT SIDE PANEL x1

HARDWARE REQUIRED

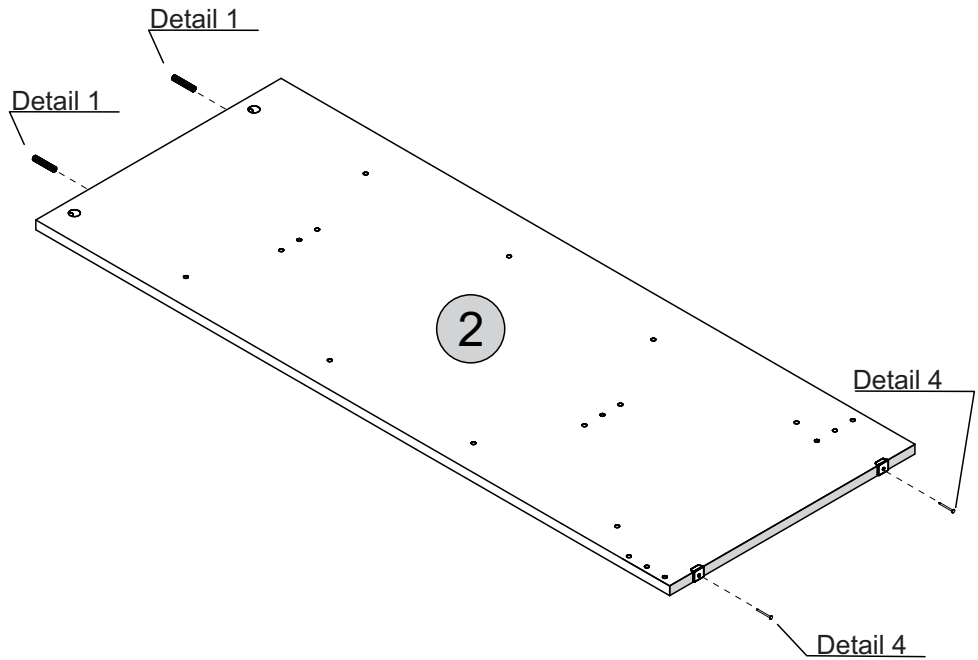
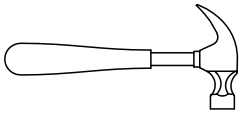
G  02
Ø6 x 30

H  02
10 x 10

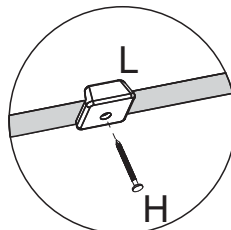
L  02

P  01
GLUE

TOOLS REQUIRED



Detail 1



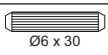
Detail 4

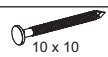
STEP 2

PARTS REQUIRED

1 - RIGHT SIDE PANEL x1

HARDWARE REQUIRED

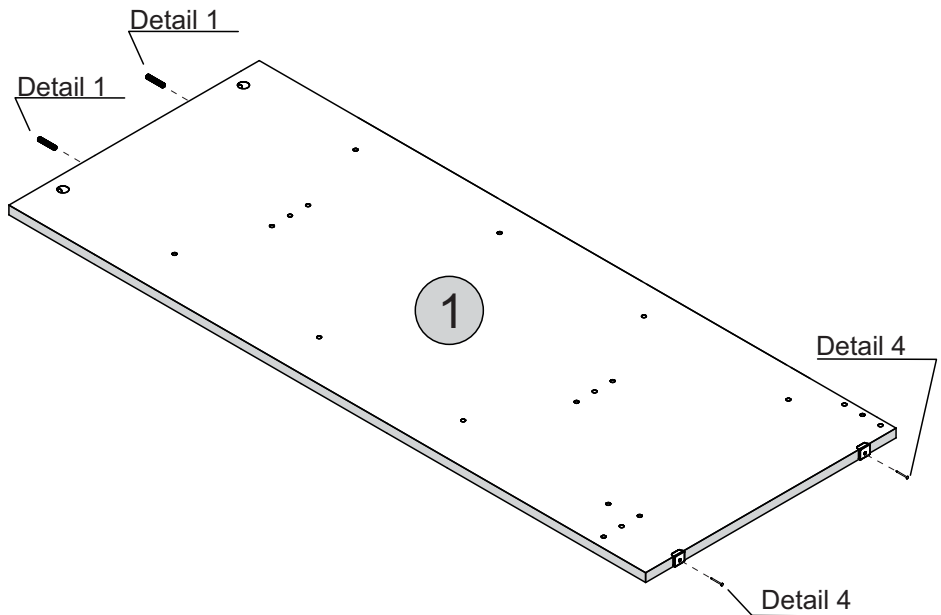
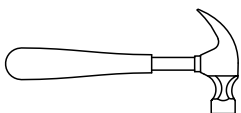
G  02
Ø6 x 30

H  02
10 x 10

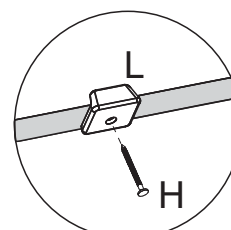
L  02

P  01
GLUE

TOOLS REQUIRED



Detail 1



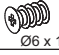
Detail 4

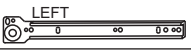
STEP 3

PARTS REQUIRED

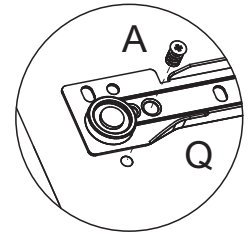
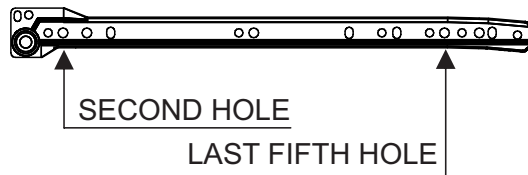
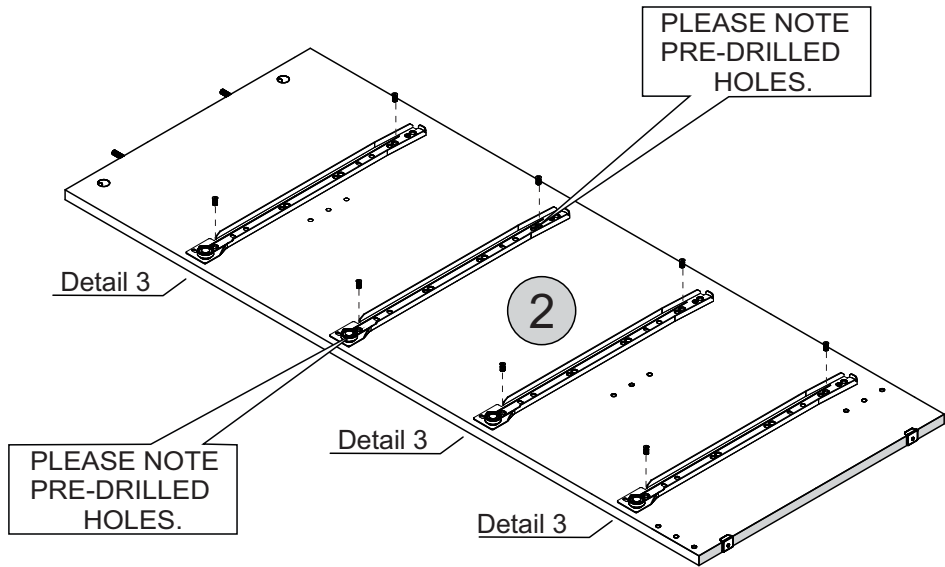
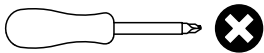
2 - LEFT SIDE PANEL x1

HARDWARE REQUIRED

A  08
Ø6 x 10

Q  04
LEFT

TOOLS REQUIRED




Detail 3

STEP 4

PARTS REQUIRED

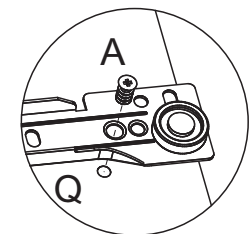
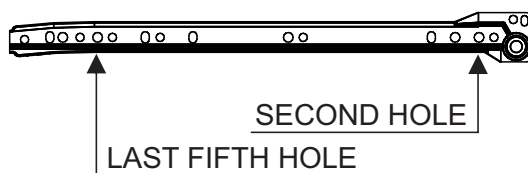
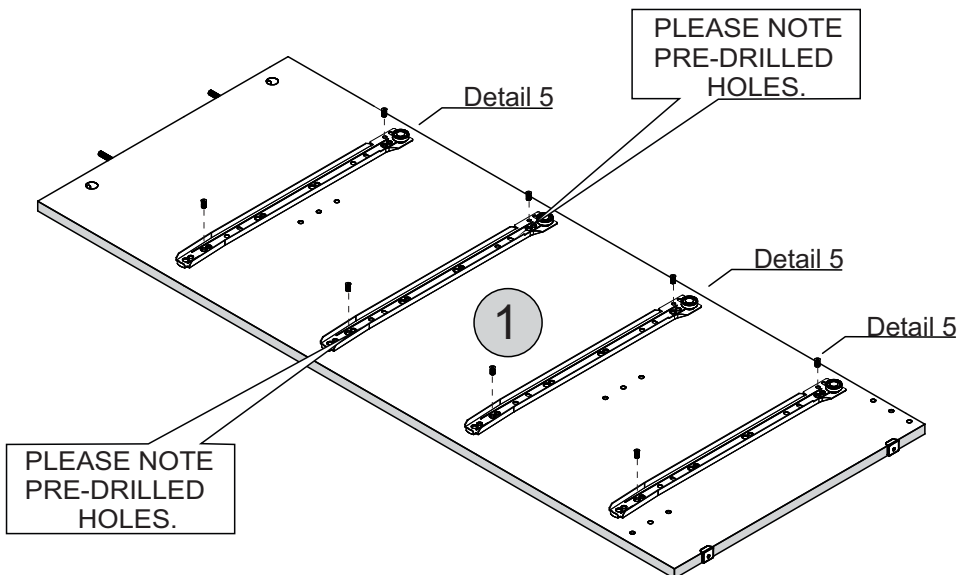
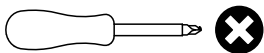
1 - RIGHT SIDE PANEL x1

HARDWARE REQUIRED

A  08
Ø6 x 10

Q  04
RIGHT

TOOLS REQUIRED



Detail 5

STEP 5


PARTS REQUIRED


3 - FRONT BASEBOARD x1

4 - BACK BASEBOARD x1

5 - CROSSBAR x2

HARDWARE REQUIRED

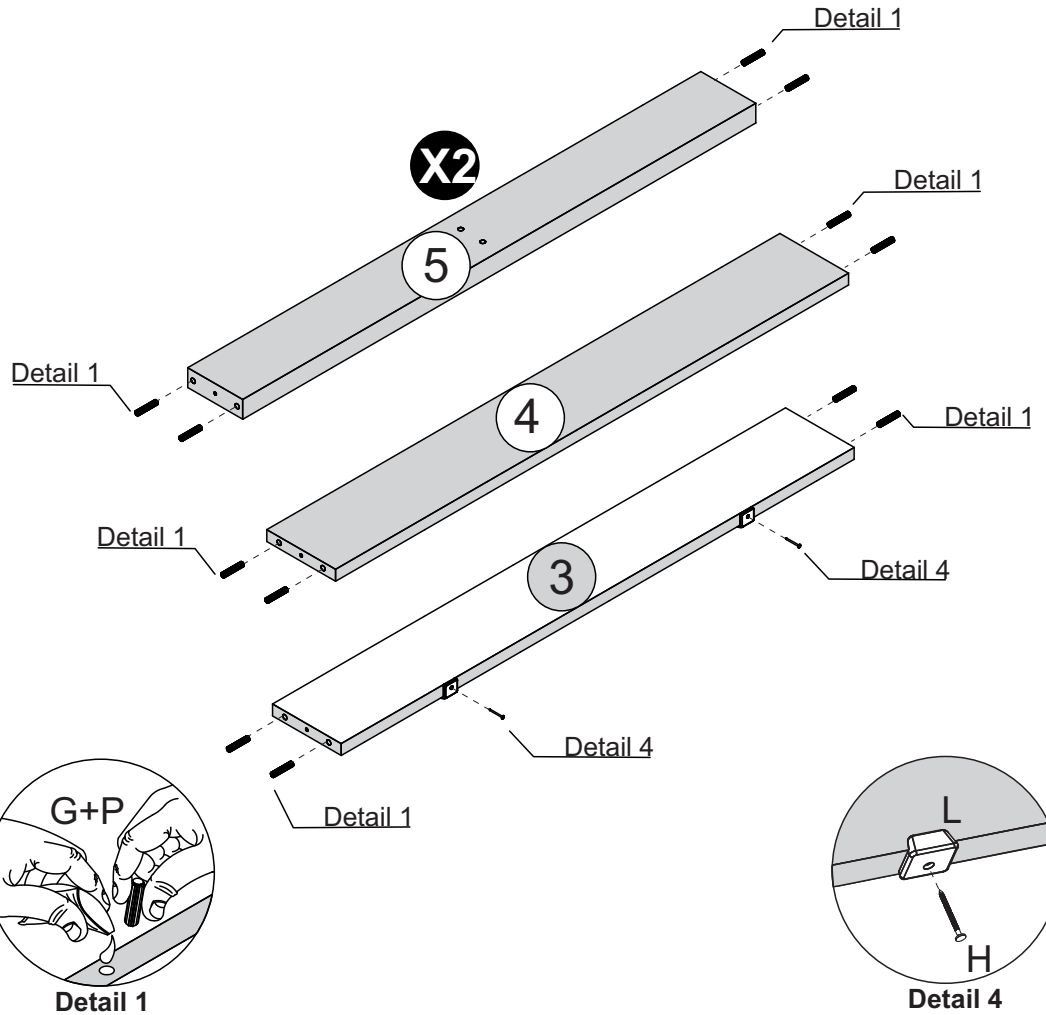
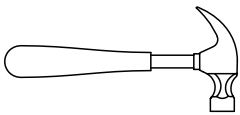
G  16
Ø6 x 30

H  02
10 x 10

L  02

P  01
GLUE

TOOLS REQUIRED

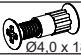


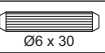
STEP 6

PARTS REQUIRED

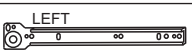
7 - DIVISION PANEL x1

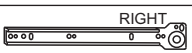
HARDWARE REQUIRED

B  02
Ø4,0 x 18mm

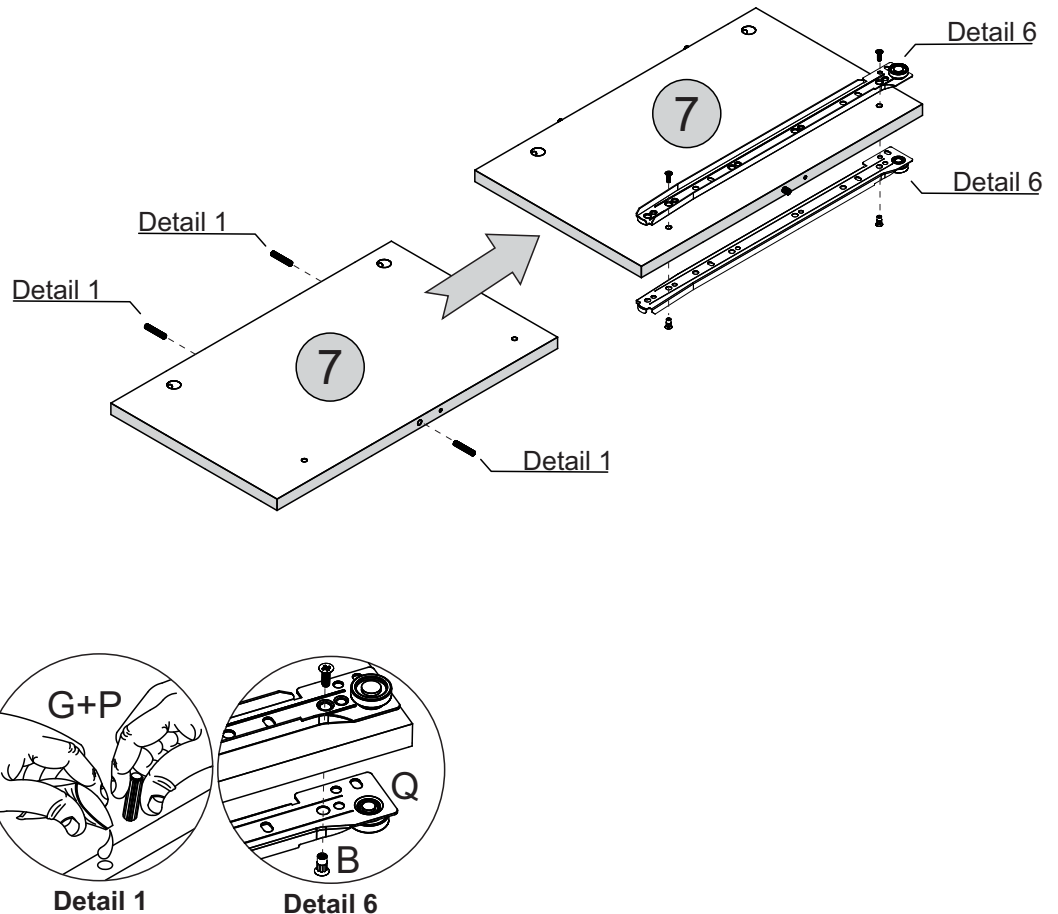
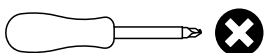
G  03
Ø6 x 30

P  01
GLUE

Q  01
LEFT

Q  01
RIGHT

TOOLS REQUIRED

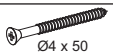



STEP 7

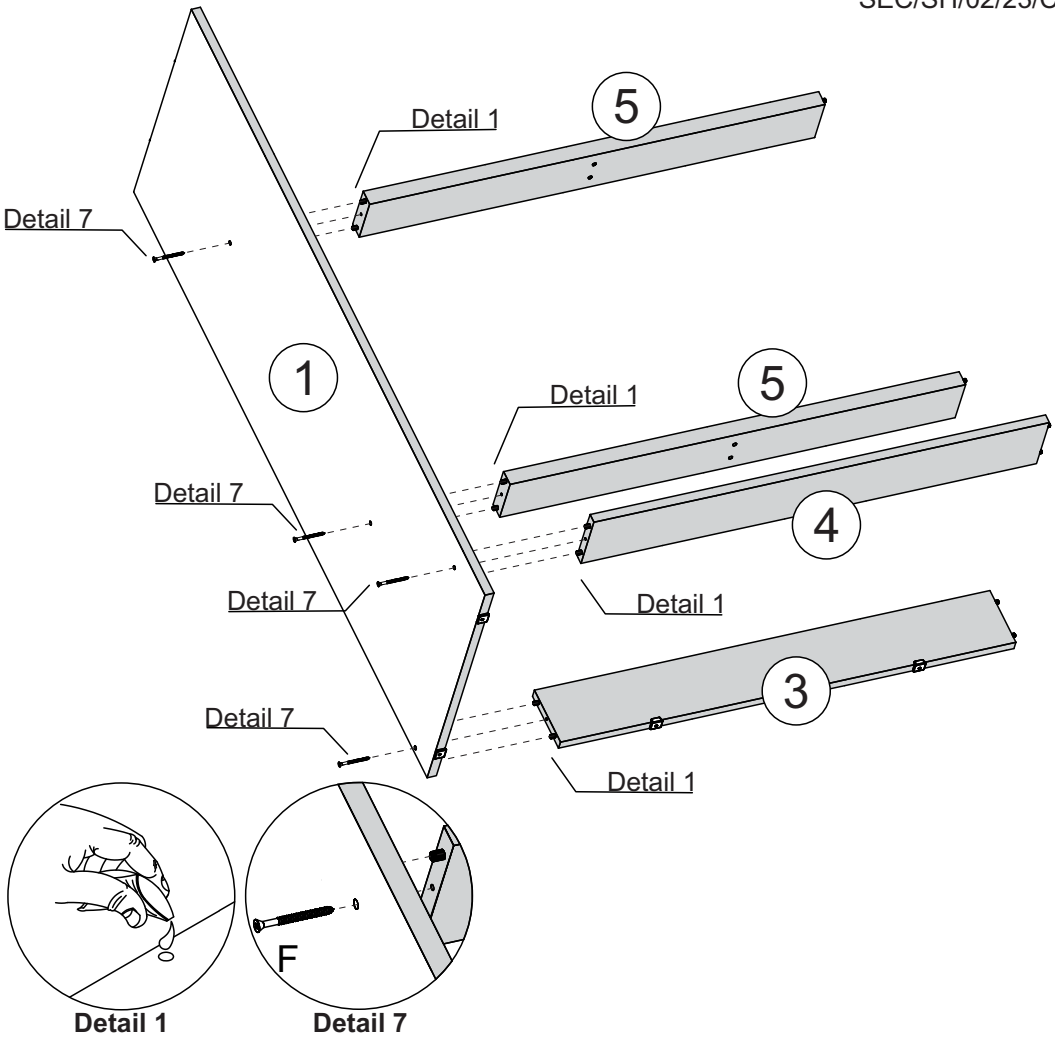
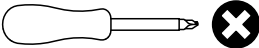
PARTS REQUIRED

- 1 - RIGHT SIDE PANEL x1
- 3 - FRONT BASEBOARD x1
- 4 - BACK BASEBOARD x1
- 5 - CROSSBAR x2

HARDWARE REQUIRED

- F  04
Ø4 x 50
- P  01
GLUE

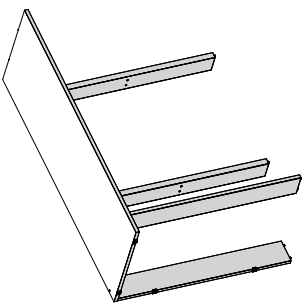
TOOLS REQUIRED



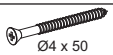

STEP 8

PARTS REQUIRED

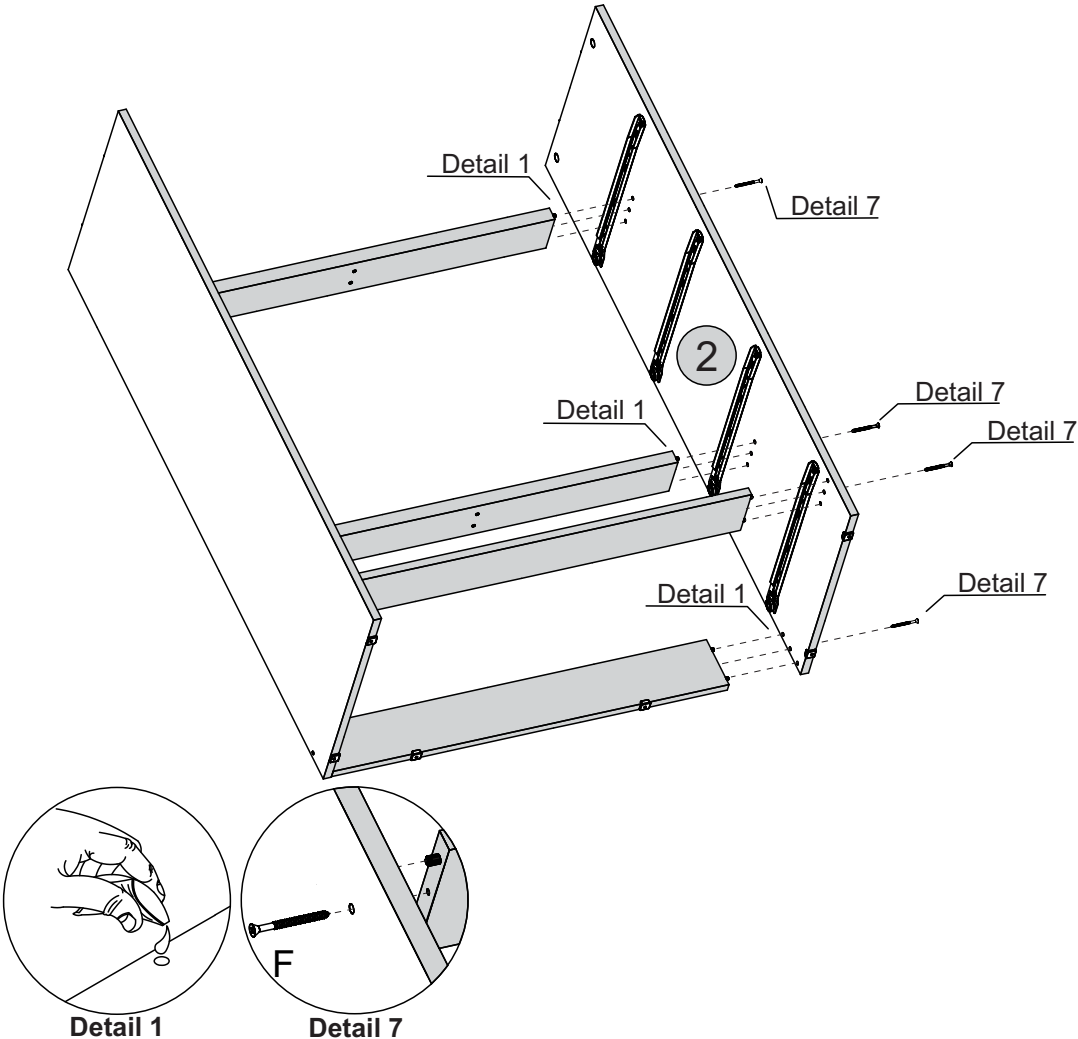
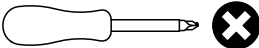
- 2 - LEFT SIDE PANEL x1



HARDWARE REQUIRED

- F  04
Ø4 x 50
- P  01
GLUE

TOOLS REQUIRED

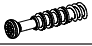


STEP 9

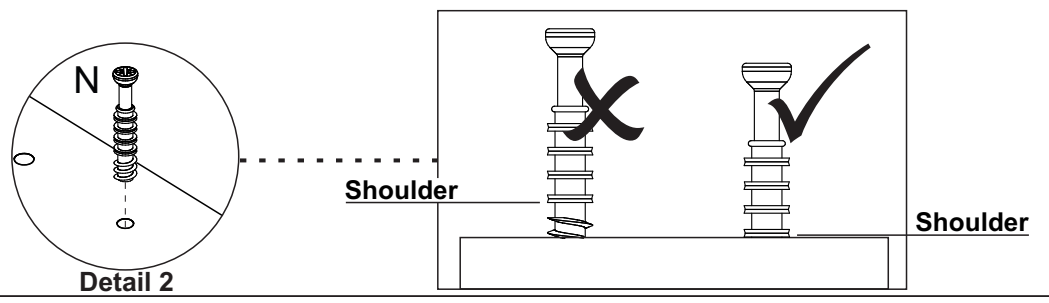
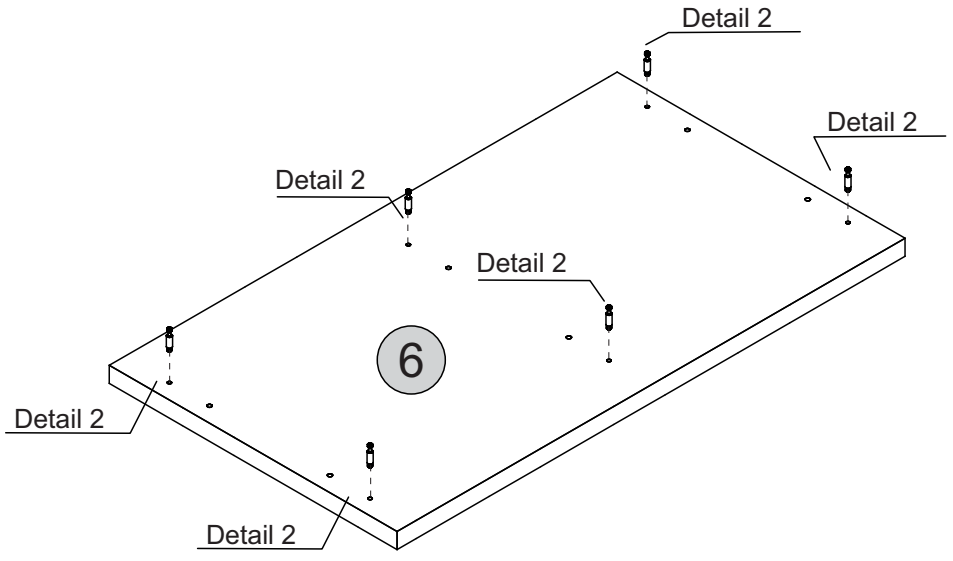
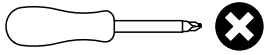
PARTS REQUIRED

6 - TOP PANEL x1

HARDWARE REQUIRED

N  06

TOOLS REQUIRED



STEP 10

PARTS REQUIRED

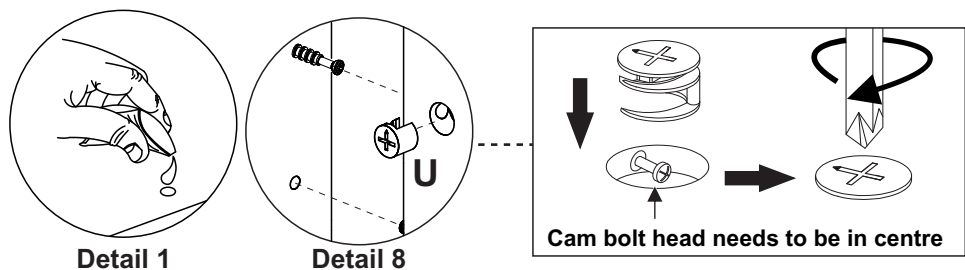
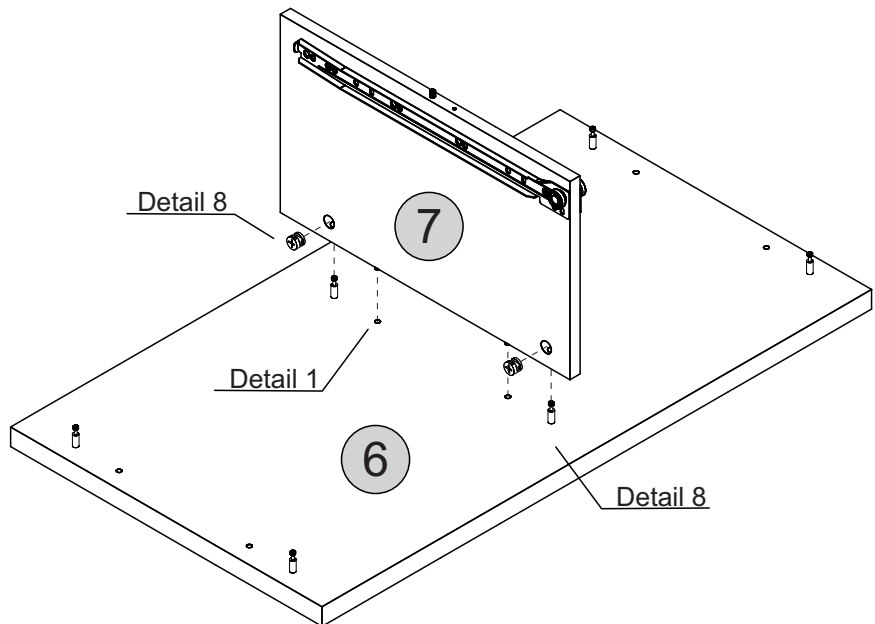
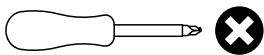
6 - TOP PANEL x1

7 - DIVISION PANEL x1

HARDWARE REQUIRED

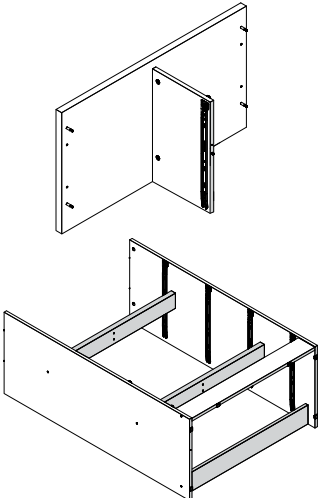
U  02

TOOLS REQUIRED



STEP 11

PARTS REQUIRED



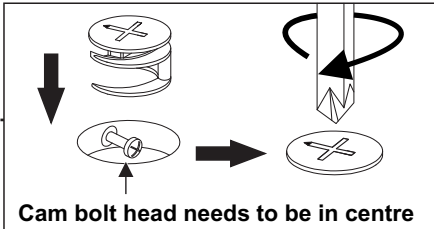
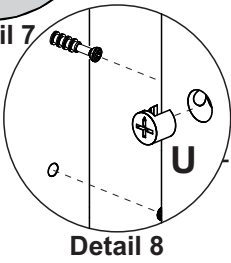
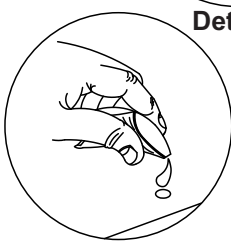
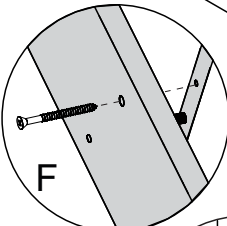
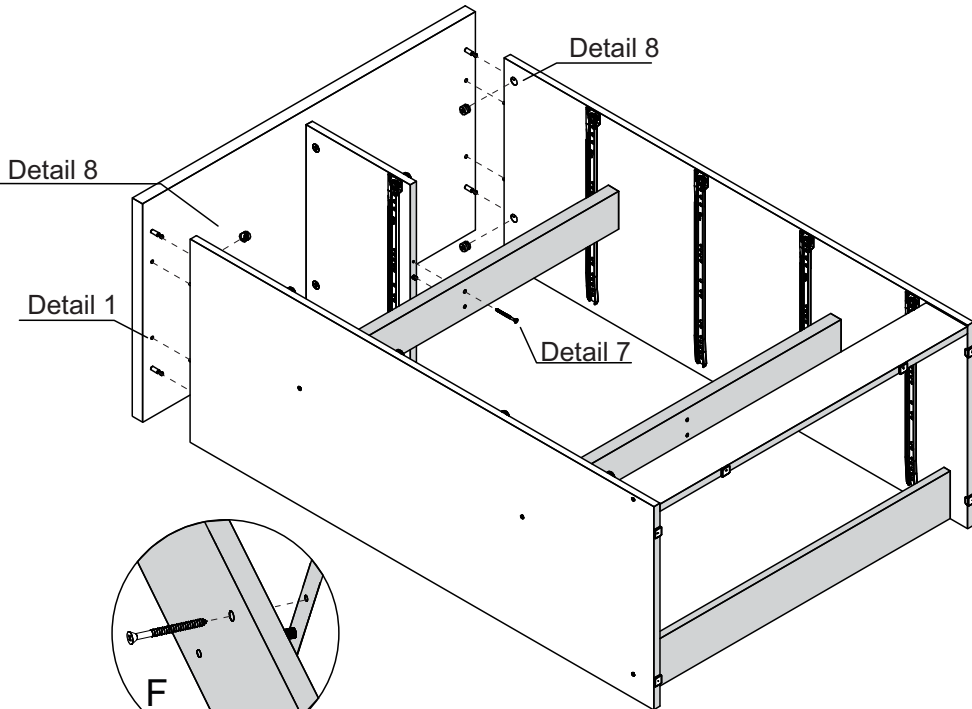
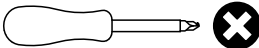
HARDWARE REQUIRED

F  01
Ø4 x 50

P  01
GLUE

U  04

TOOLS REQUIRED



Detail 1

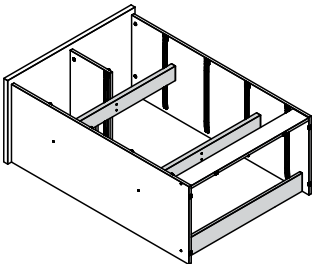
Detail 8

Cam bolt head needs to be in centre

STEP 12

PARTS REQUIRED

8 - BACK PANEL x2



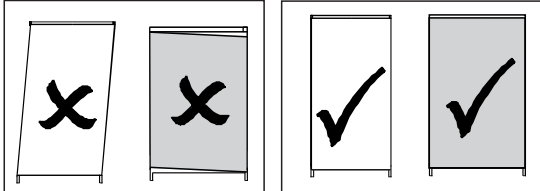
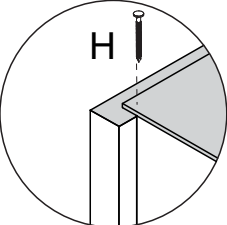
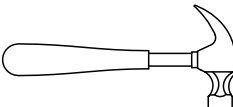
HARDWARE REQUIRED

H  32

I  02

R  01

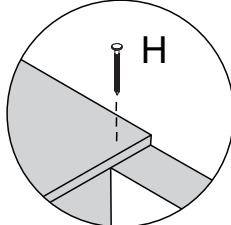
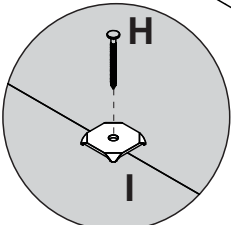
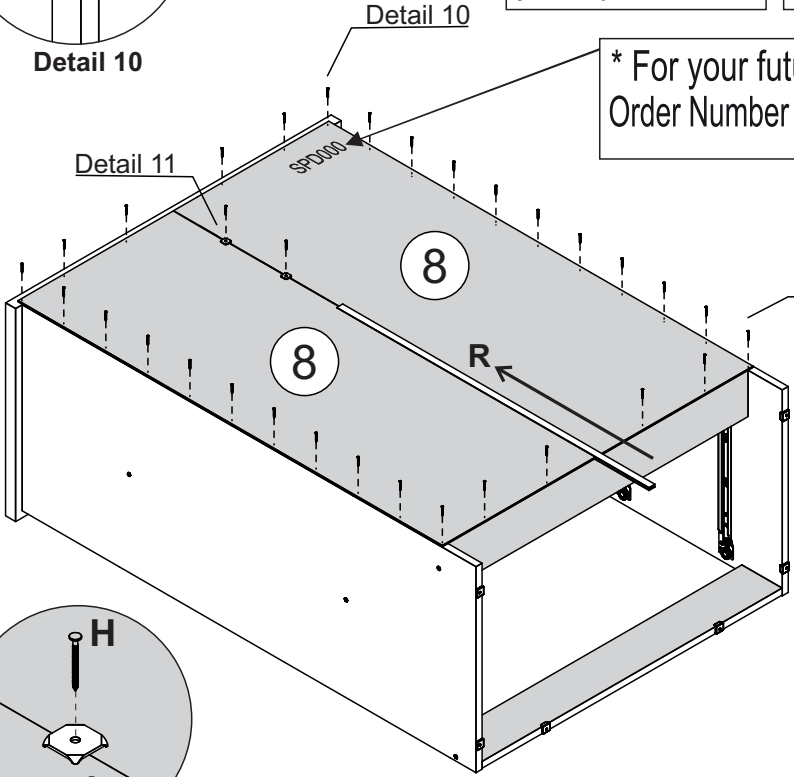
TOOLS REQUIRED



Detail 10

Detail 10

* For your future reference Order Number should be here



Detail 11

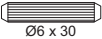

Detail 10

STEP 13

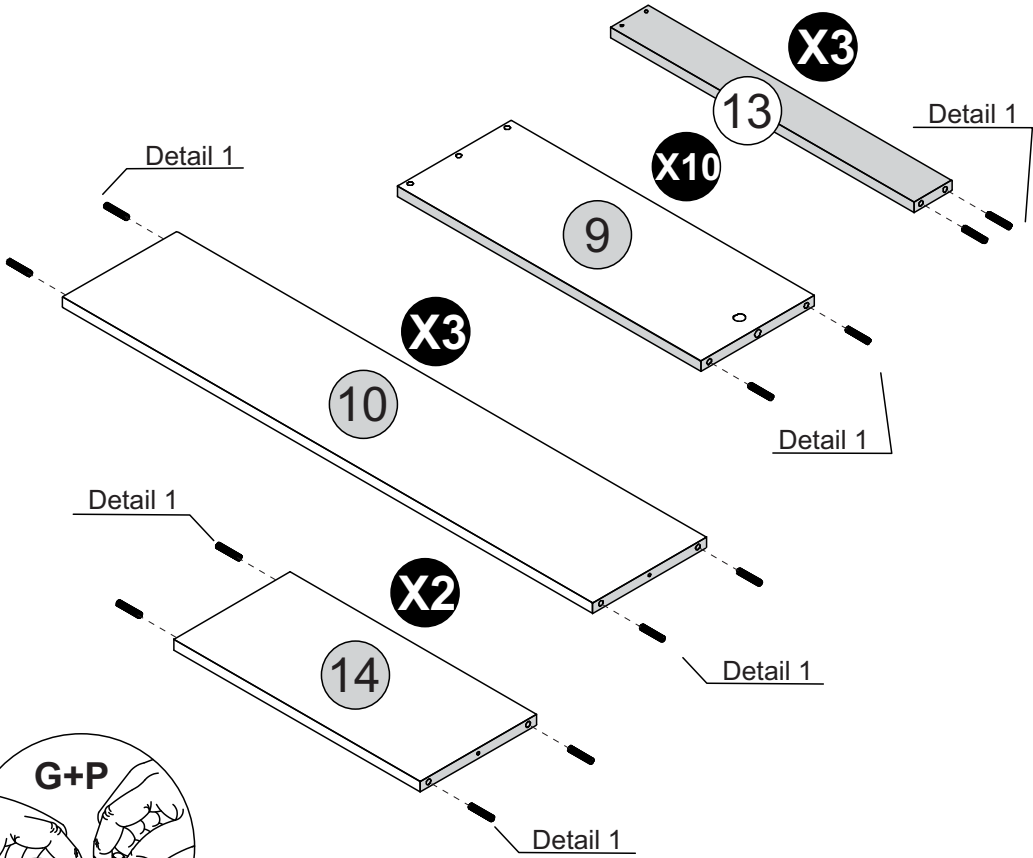
PARTS REQUIRED

- 9 - DRAWER SIDE x10
- 10 - LARGE DRAWER BACK PANEL x3
- 13 - DRAWER BOTTOM SUPPORT BAR x3
- 14 - SMALL DRAWER BACK PANEL x2

HARDWARE REQUIRED

- G  46
Ø6 x 30
- P  01
GLUE

TOOLS REQUIRED




STEP 14

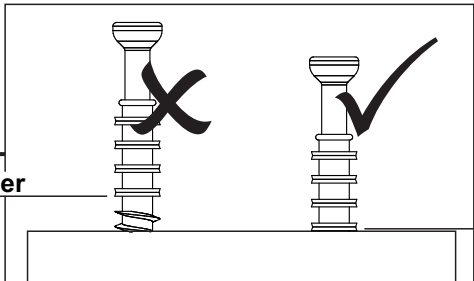
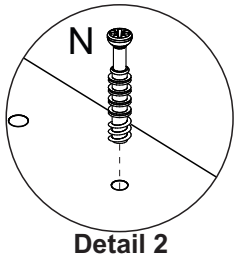
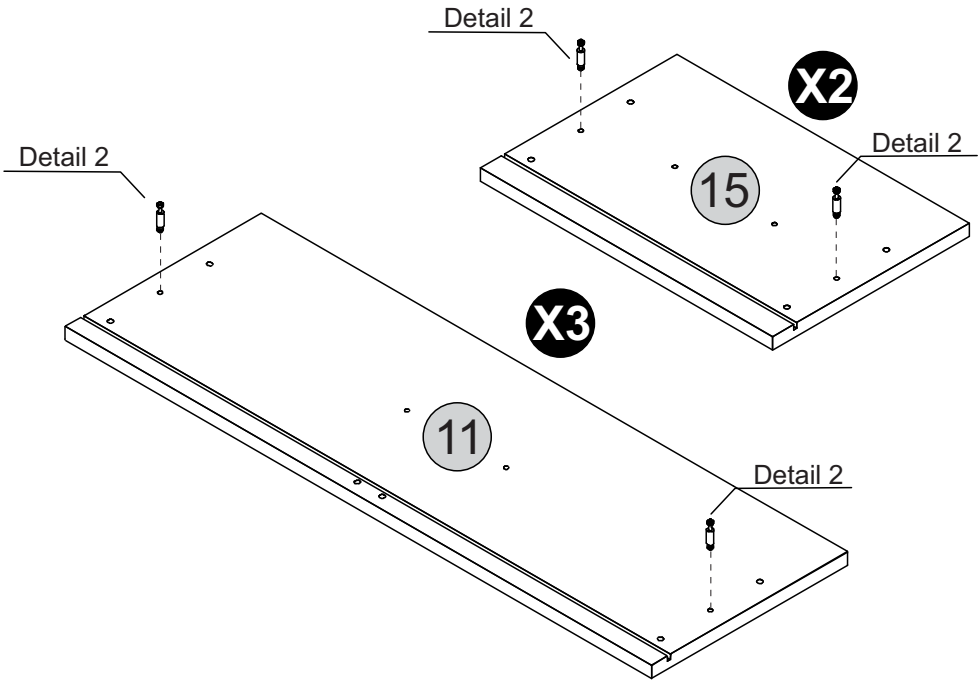
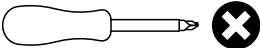
PARTS REQUIRED

- 11 - LARGE DRAWER FRONT x3
- 15 - SMALL DRAWER FRONT x2

HARDWARE REQUIRED

- N  10

TOOLS REQUIRED



STEP 15

PARTS REQUIRED

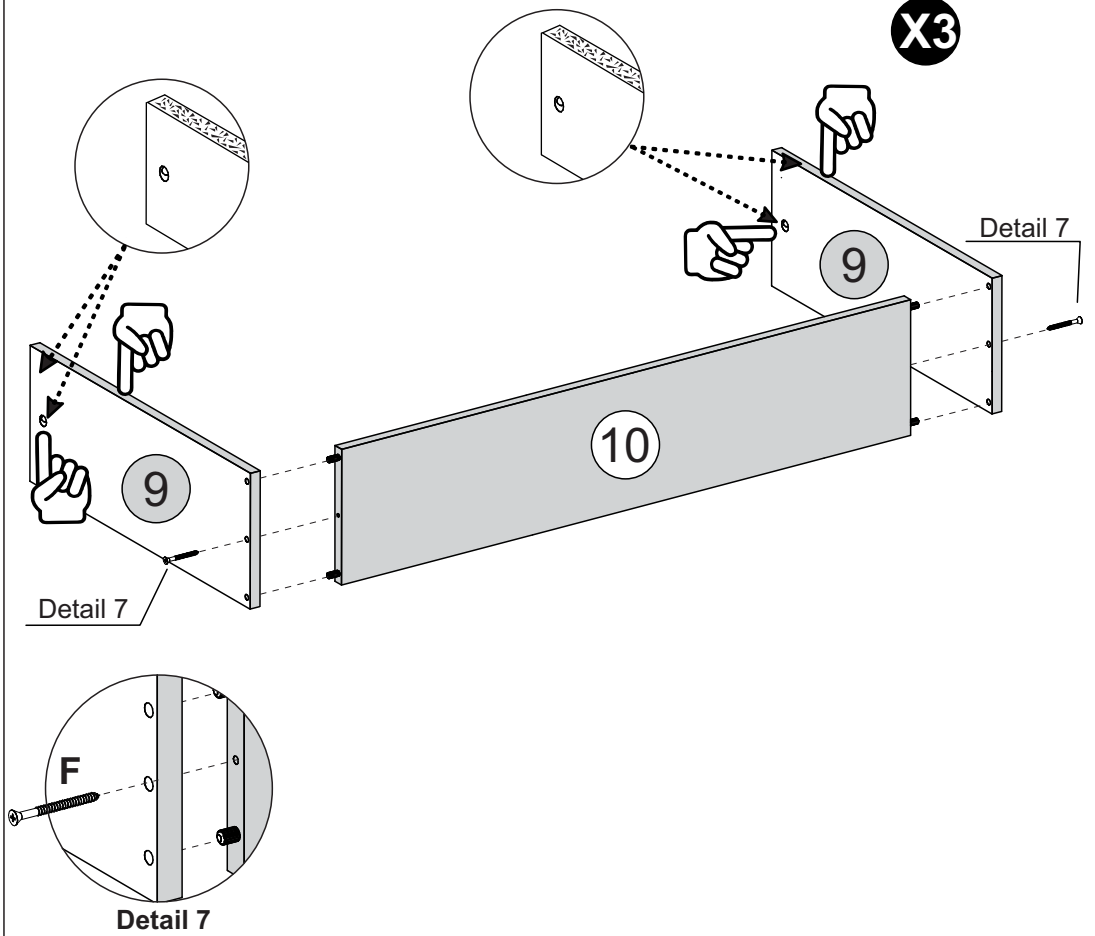
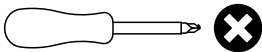
9 - DRAWER SIDE x6

10 - LARGE DRAWER BACK PANEL x3

HARDWARE REQUIRED

F  06
Ø4 x 50

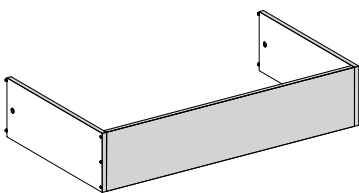
TOOLS REQUIRED



STEP 16

PARTS REQUIRED

11 - LARGE DRAWER FRONT x3

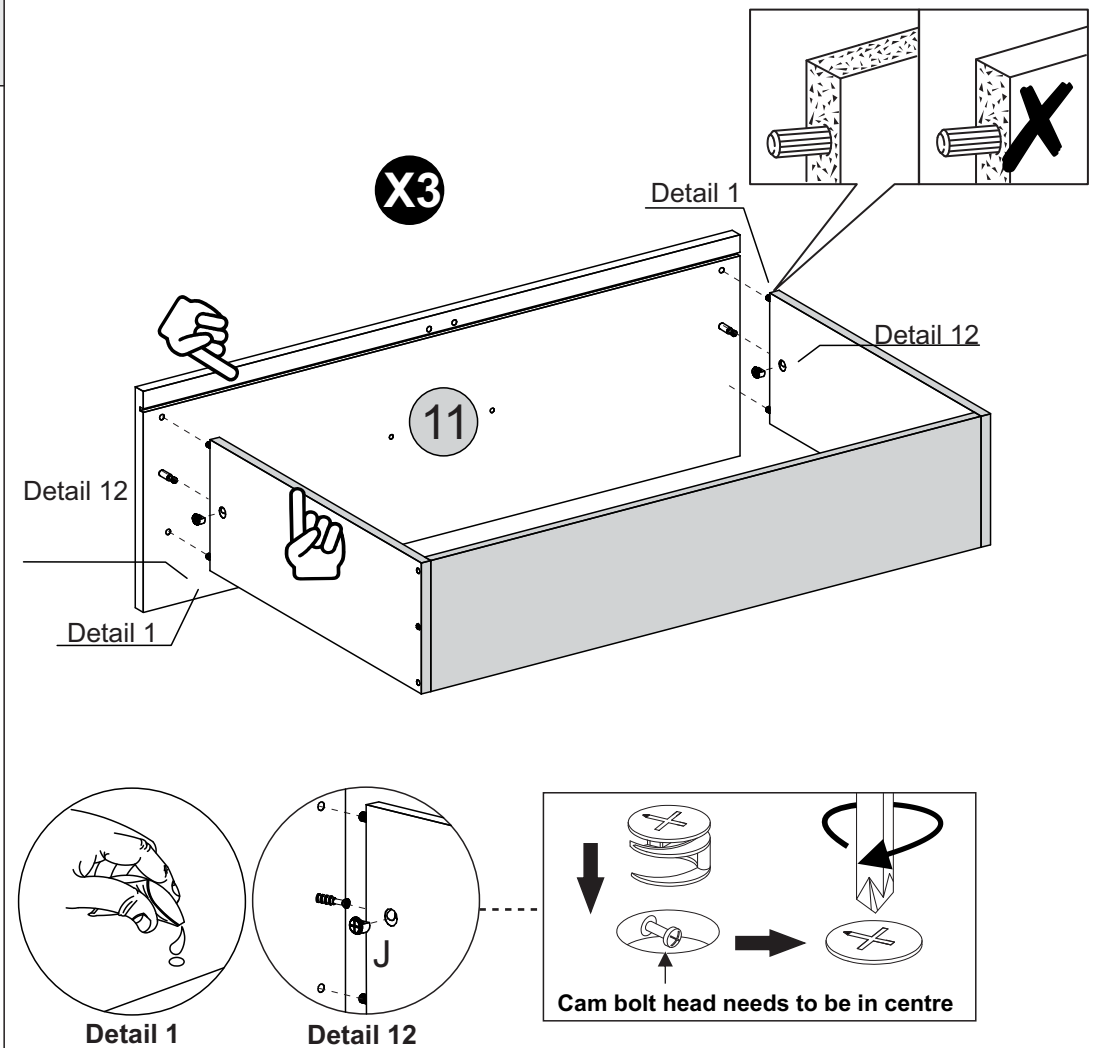
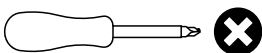


HARDWARE REQUIRED

J  06

P  01
GLUE

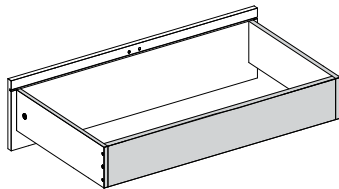
TOOLS REQUIRED




STEP 17

PARTS REQUIRED

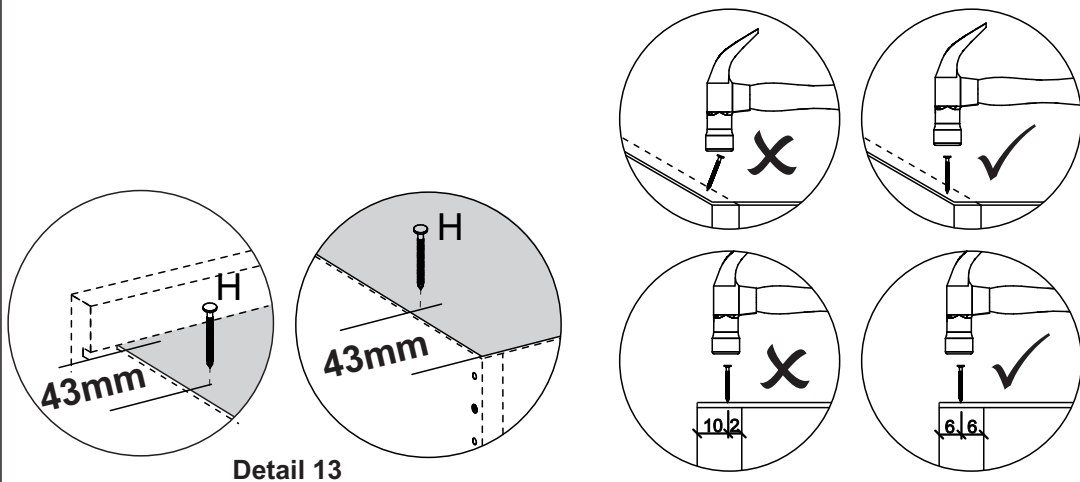
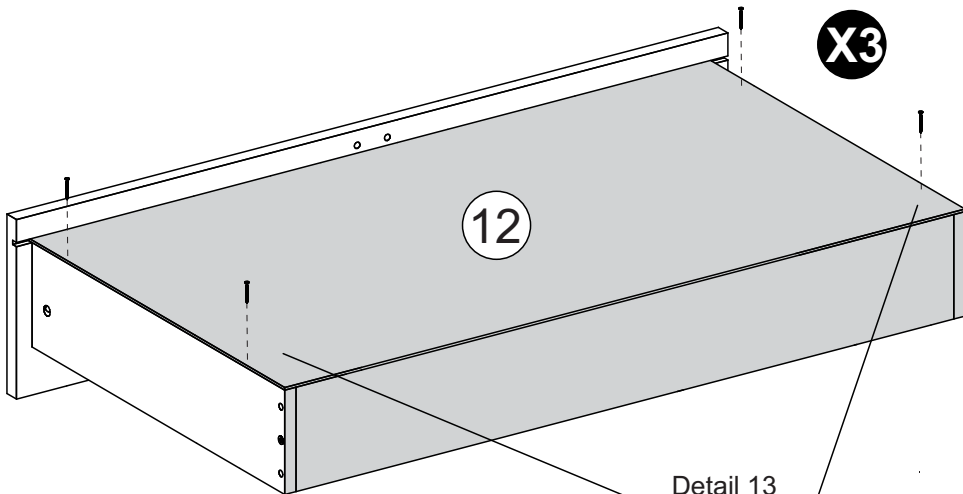
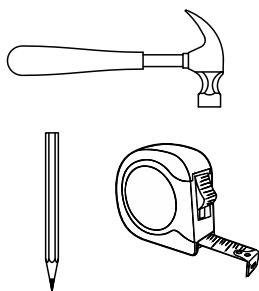
12 - LARGE DRAWER BOTTOM x3



HARDWARE REQUIRED

H  12

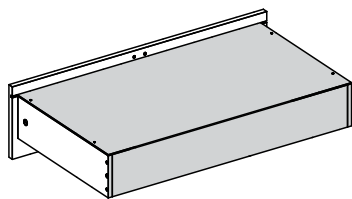
TOOLS REQUIRED



STEP 18

PARTS REQUIRED

13 - DRAWER BOTTOM SUPPORT BAR x3

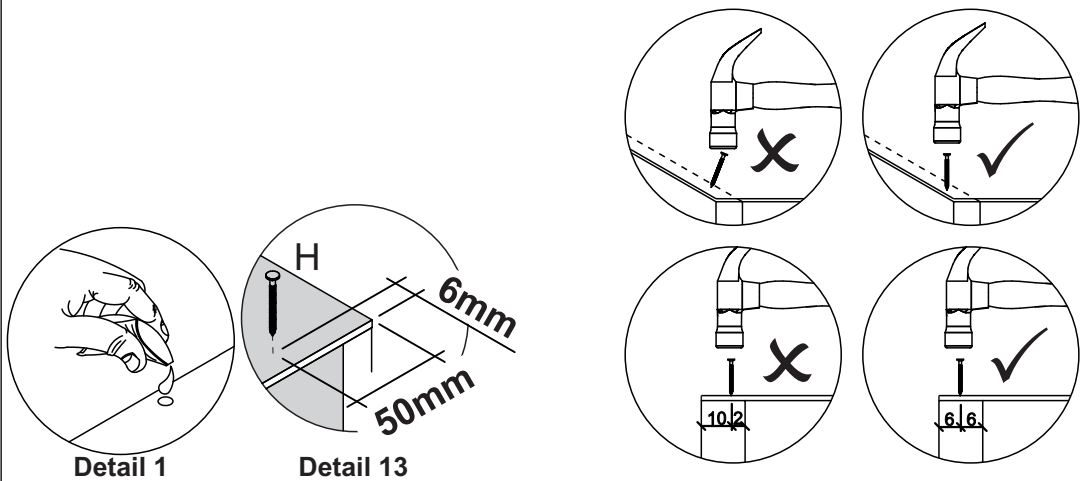
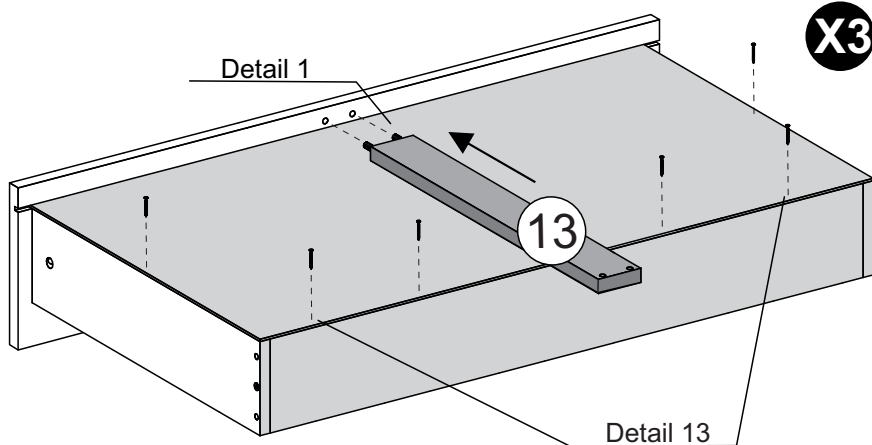
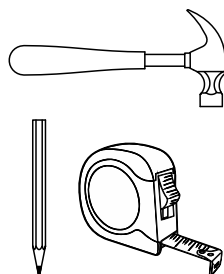


HARDWARE REQUIRED

H  18

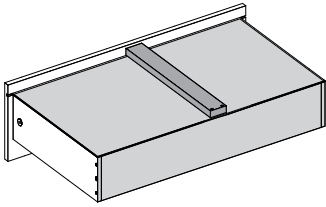
P  01

TOOLS REQUIRED

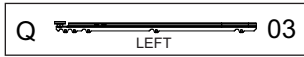
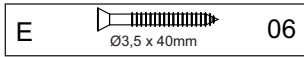
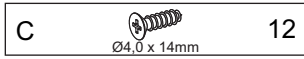


STEP 19

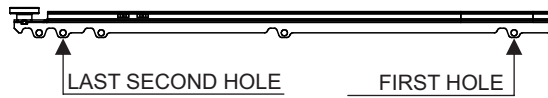
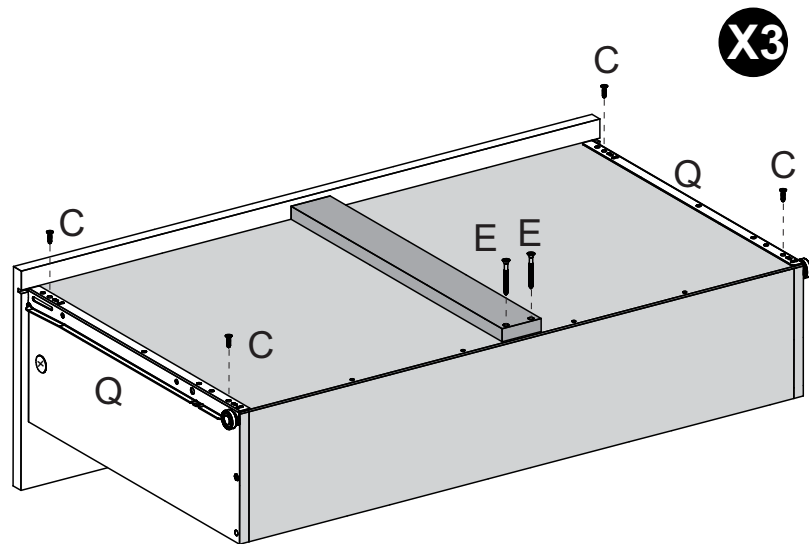
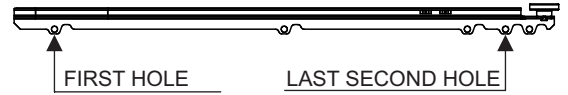
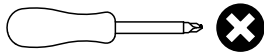
PARTS REQUIRED



HARDWARE REQUIRED

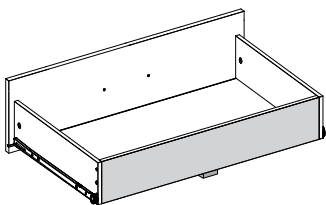


TOOLS REQUIRED

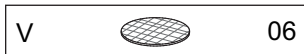
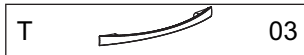


STEP 20

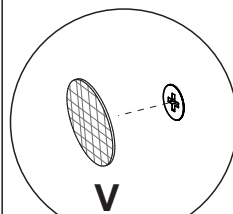
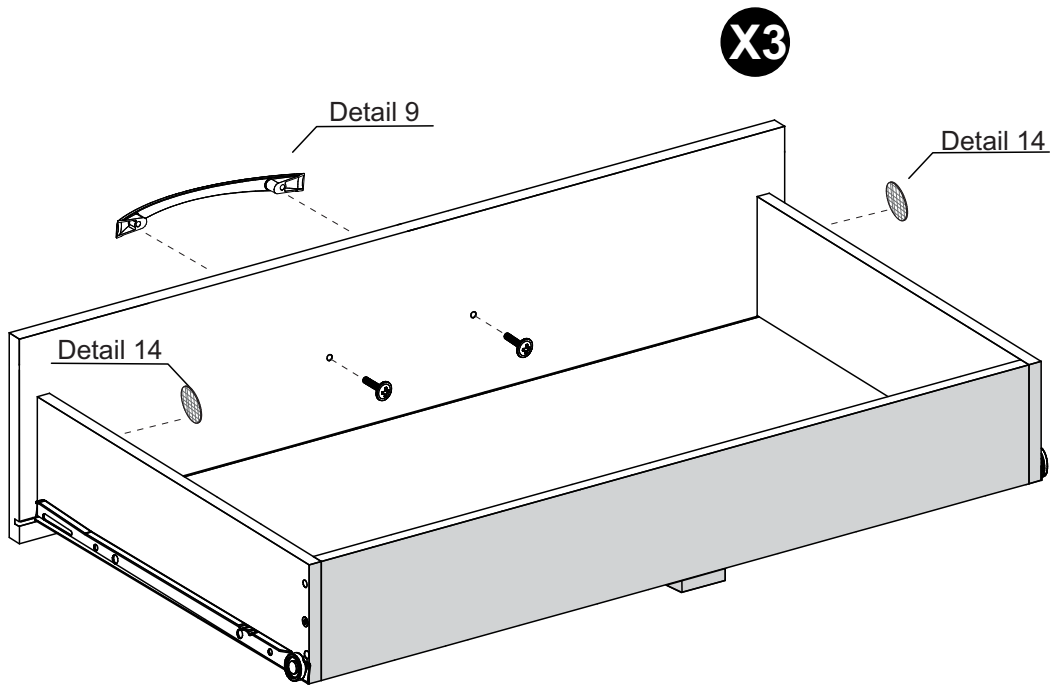
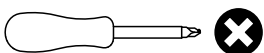
PARTS REQUIRED



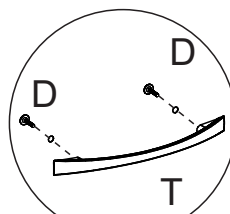
HARDWARE REQUIRED



TOOLS REQUIRED



Detail 14



Detail 9

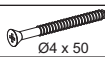
STEP 21

PARTS REQUIRED

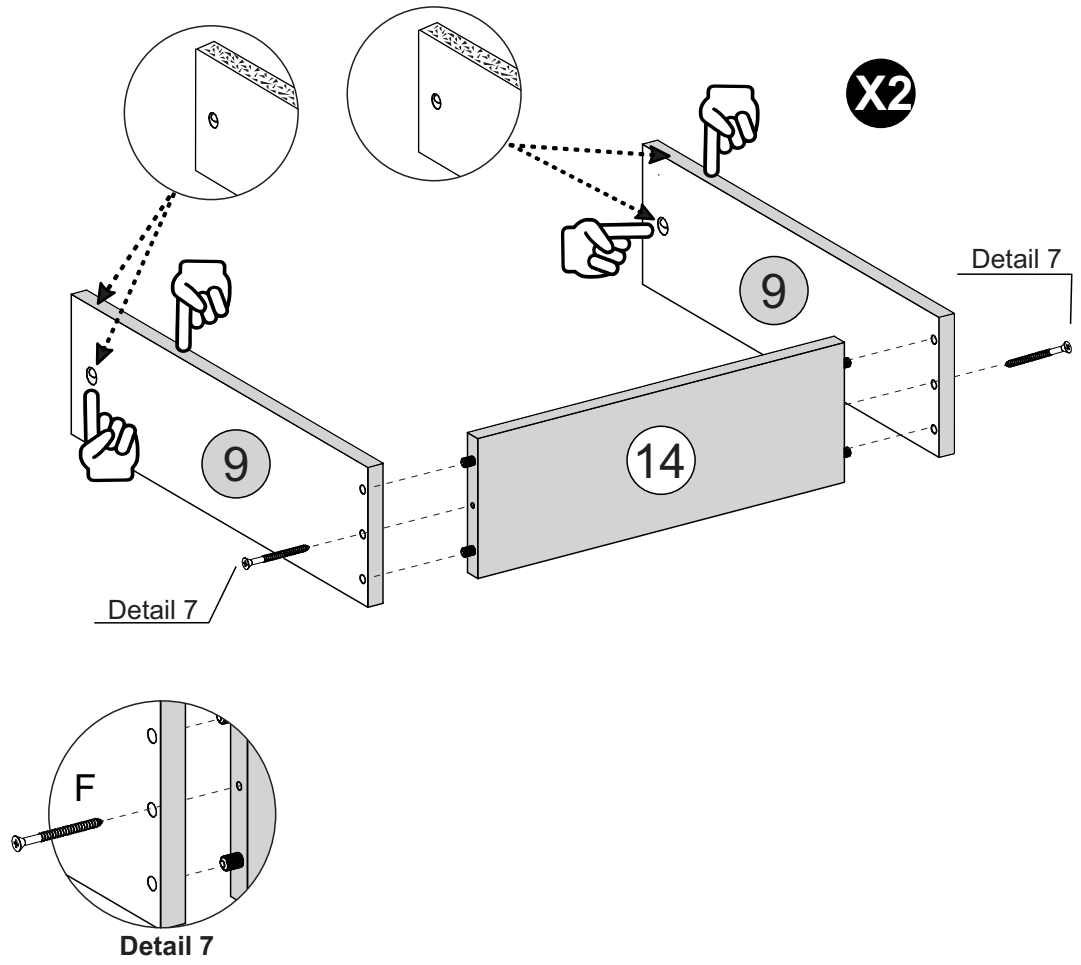
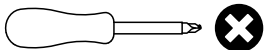
9 - DRAWER SIDE x6

14 - DRAWER BACK PANEL x3

HARDWARE REQUIRED

F  Ø4 x 50 04

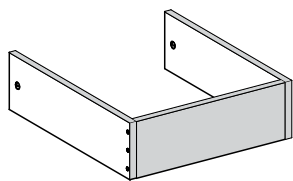
TOOLS REQUIRED



STEP 22

PARTS REQUIRED

15 - SMALL DRAWER FRONT x3

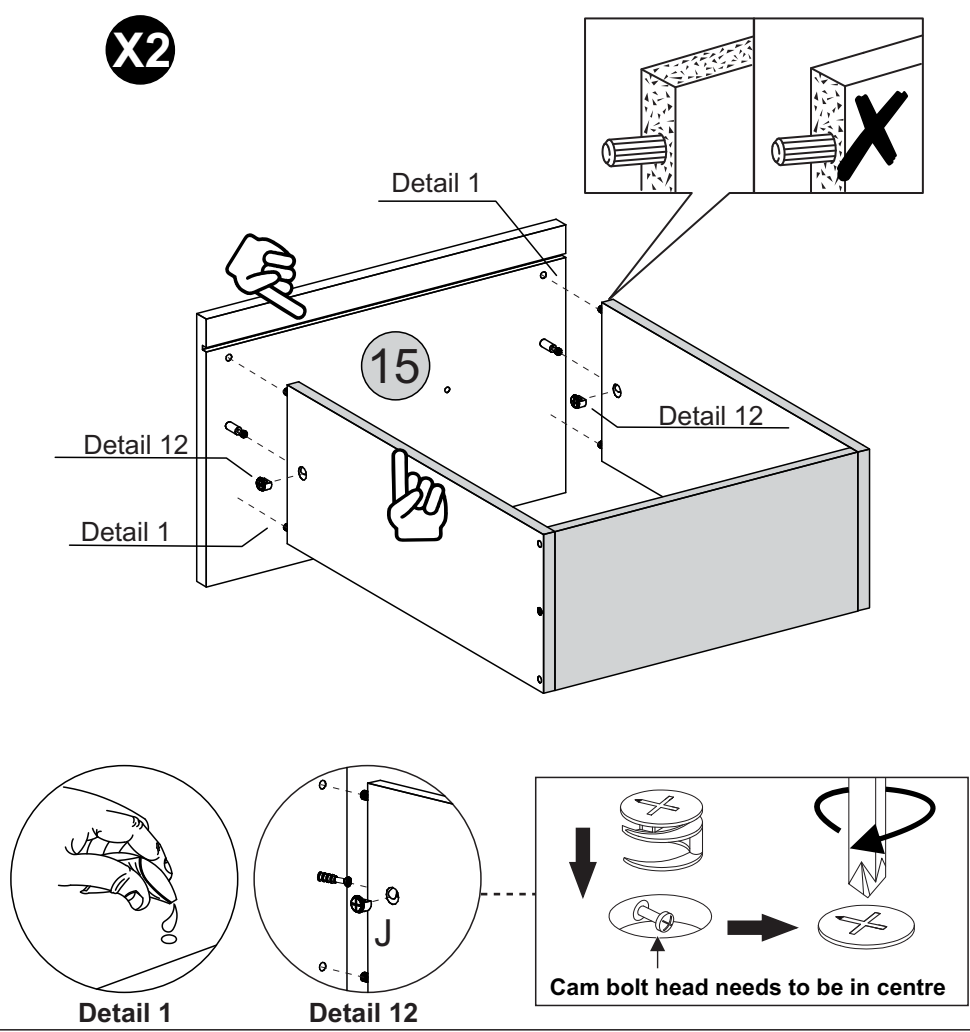
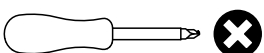


HARDWARE REQUIRED

J  04

P  GLUE 01

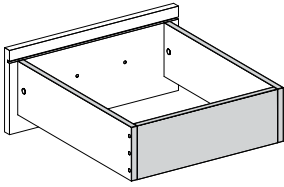
TOOLS REQUIRED



STEP 23

PARTS REQUIRED

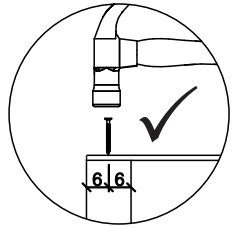
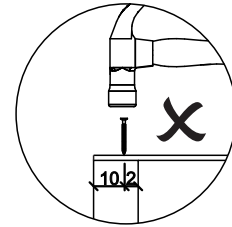
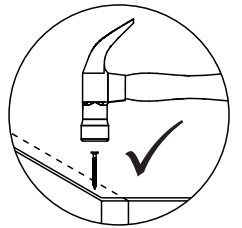
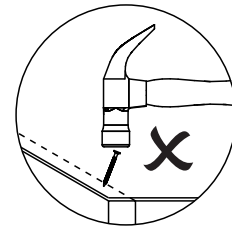
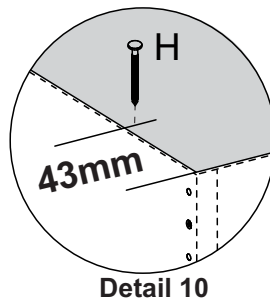
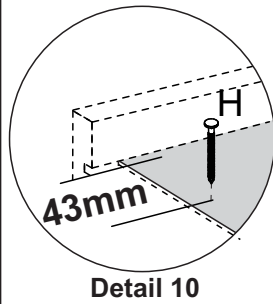
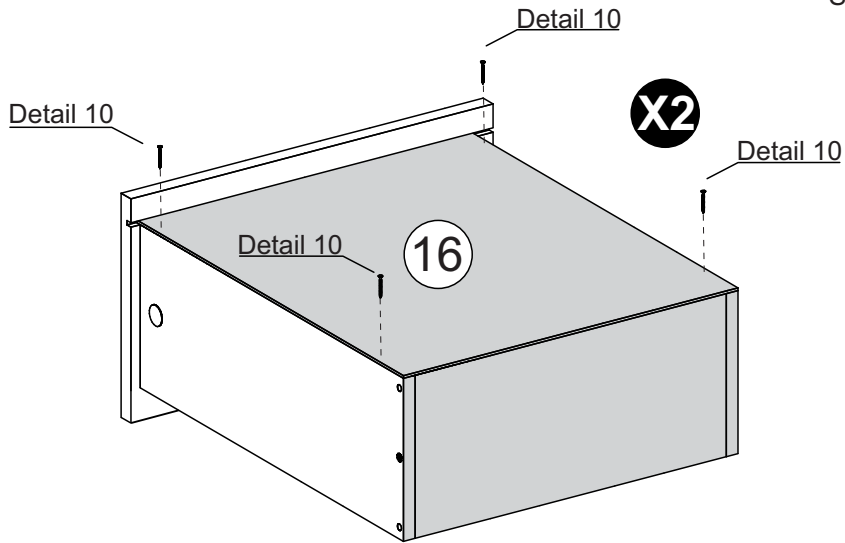
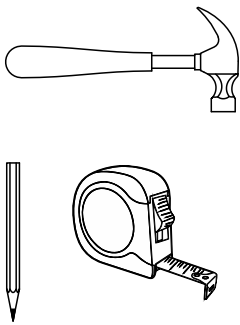
16 -DRAWER BOTTOM x2



HARDWARE REQUIRED

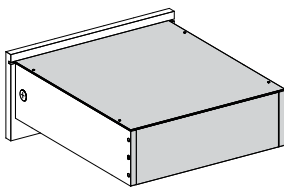
H  08
10 x 10

TOOLS REQUIRED



STEP 24

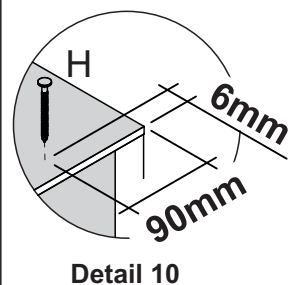
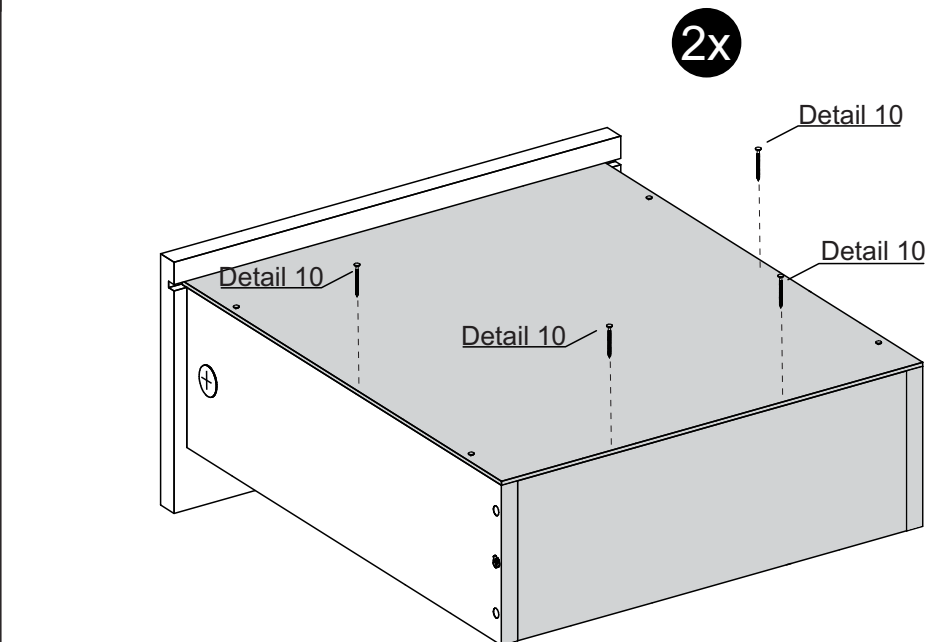
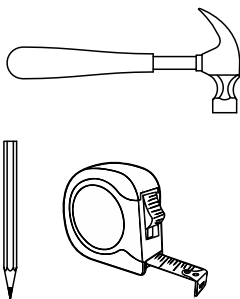
PARTS REQUIRED



HARDWARE REQUIRED

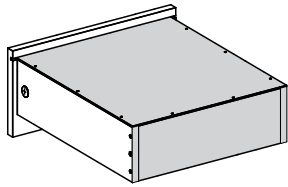
H  08
10 x 10

TOOLS REQUIRED

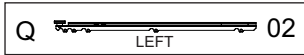
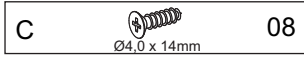


STEP 25

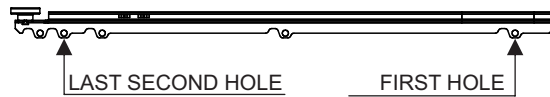
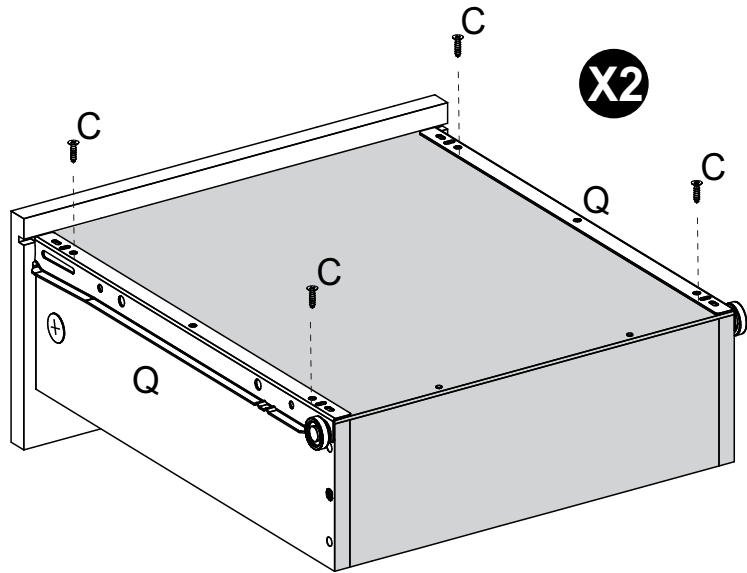
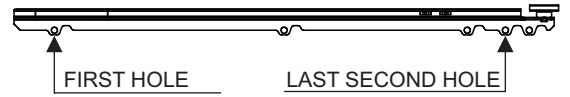
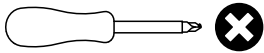
PARTS REQUIRED



HARDWARE REQUIRED

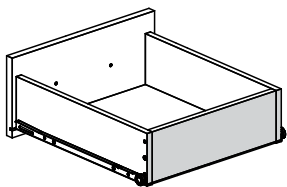


TOOLS REQUIRED

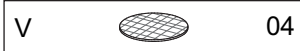
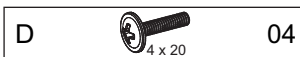


STEP 26

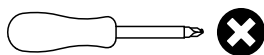
PARTS REQUIRED



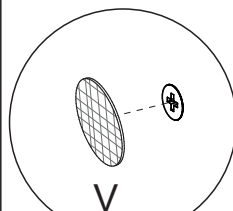
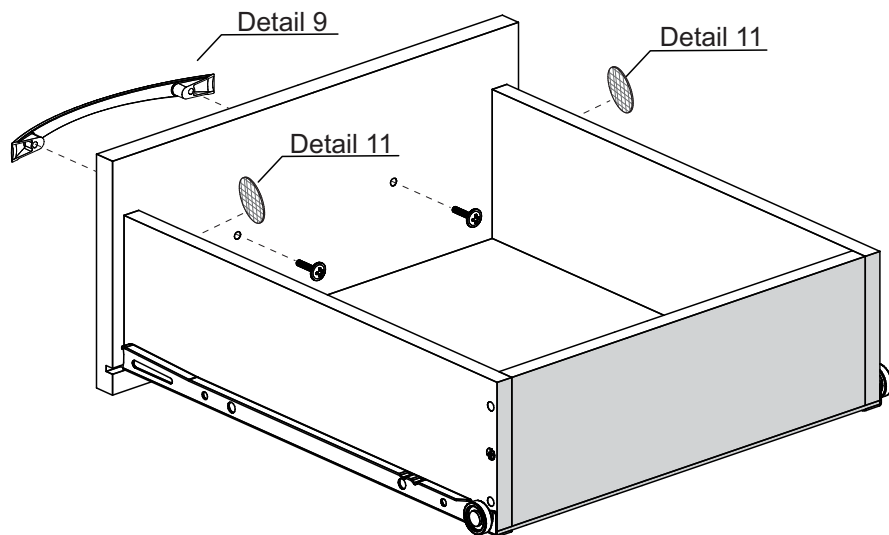
HARDWARE REQUIRED



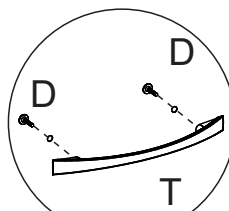
TOOLS REQUIRED



X2



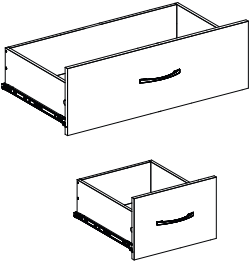
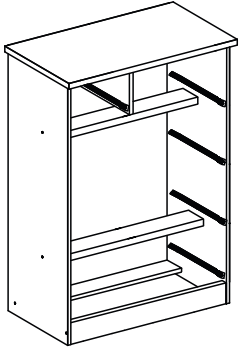
Detail 11



Detail 9

STEP 27

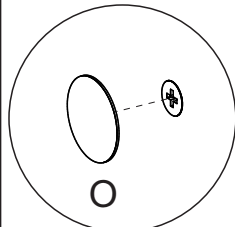
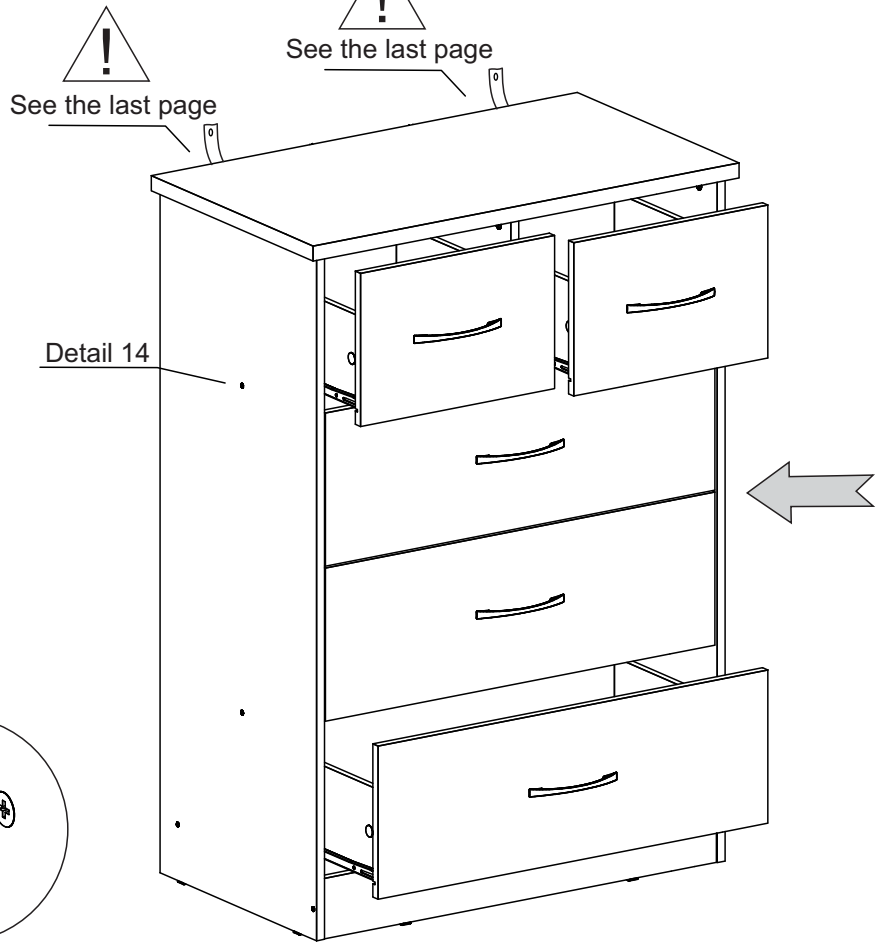
PARTS REQUIRED



HARDWARE REQUIRED



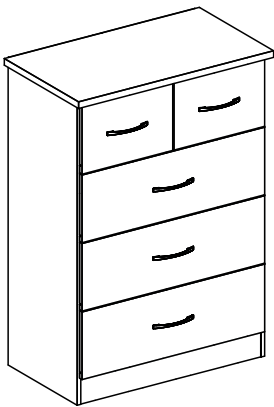
TOOLS REQUIRED



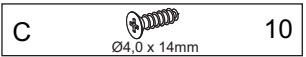
Detail 14

STEP 28

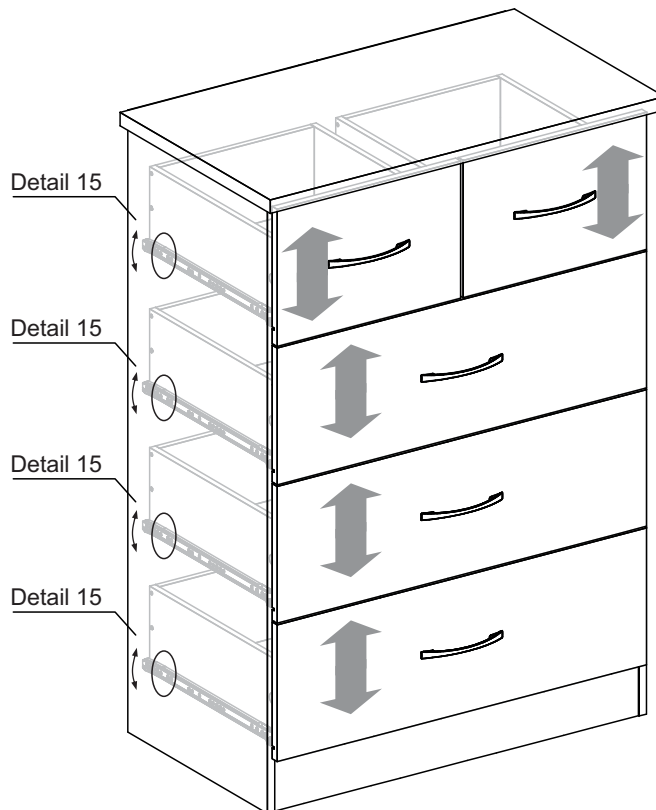
PARTS REQUIRED



HARDWARE REQUIRED

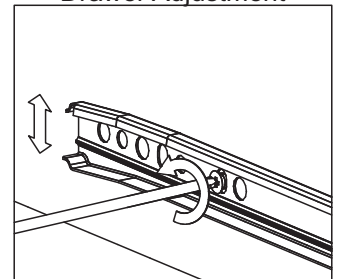


TOOLS REQUIRED

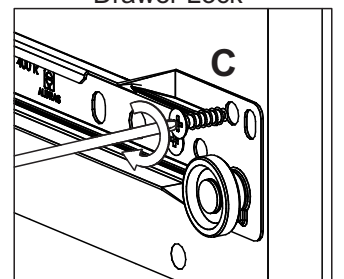


TIP
If desired, after assembly use an alcohol cleaner to erase the number printed on the parts.

Drawer Adjustment



Drawer Lock



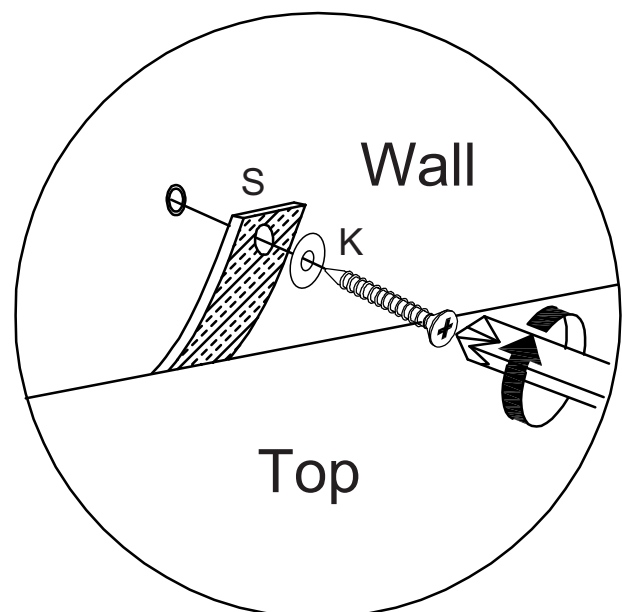
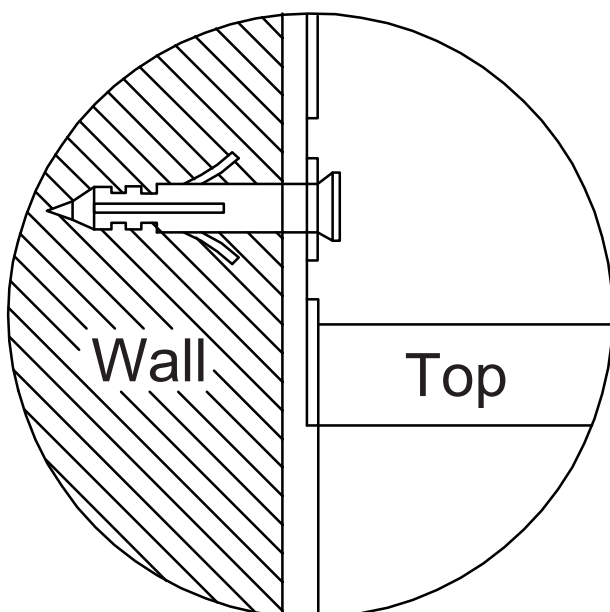
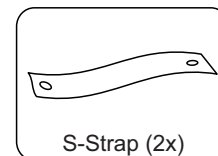
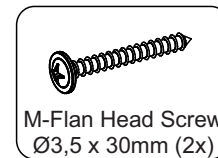
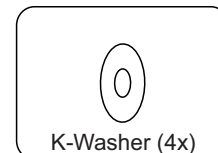
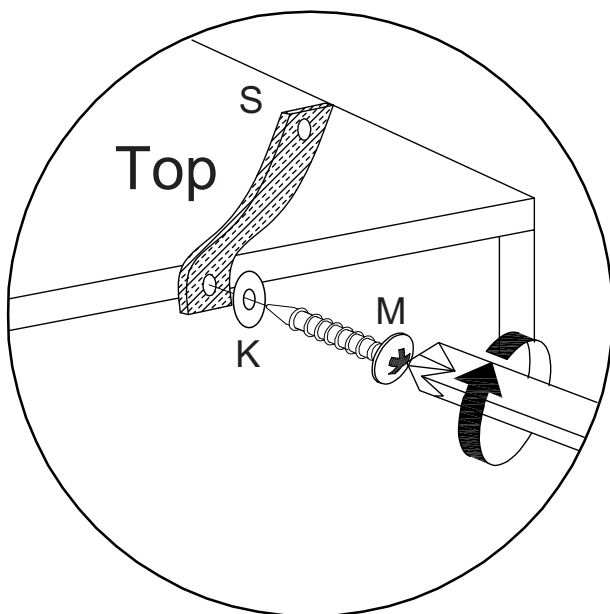
Detail 15

WARNING

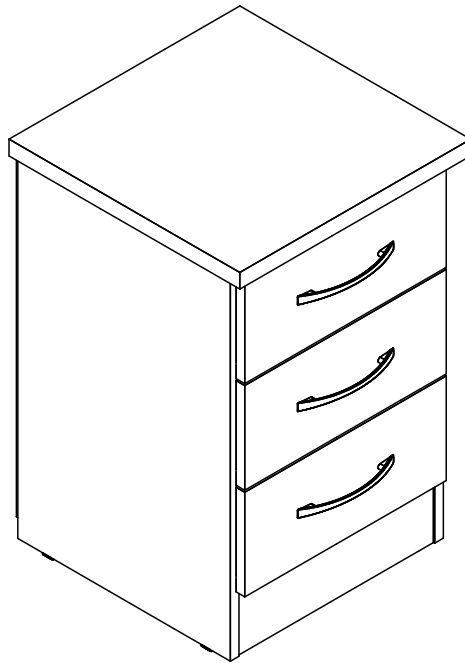
Serious or fatal injuries can occur from furniture tipping over. To prevent the furniture from tipping over we recommend that it is permanently fixed to the wall.

Wall fixings are not supplied with this product as different wall materials require different types of fixing devices.

Please make sure you use fixings suitable for the walls in your home.



NEVADA 3 DRAWER BEDSIDE ASSEMBLY INSTRUCTIONS



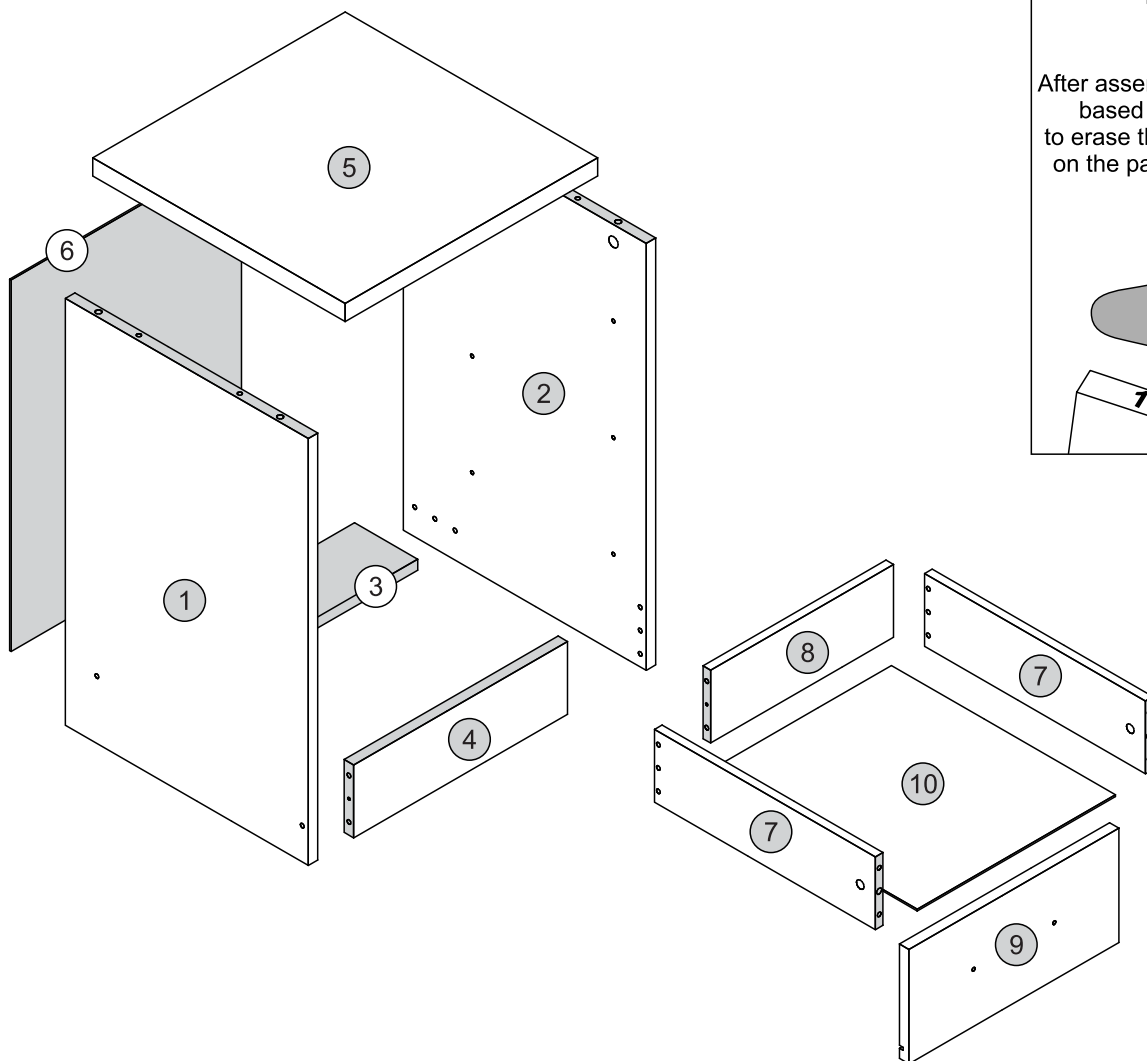
IMPORTANT FOR DOMESTIC USE ONLY

PLEASE READ BEFORE YOU CONTINUE FURTHER

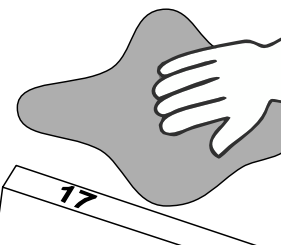
CARE AND MAINTENANCE

After unpacking this product please keep the original packaging in case it needs to be returned for any reason.

- Please ensure all fittings and parts are present before commencing with assembly.
- Never drag or push products as this could cause damage to the joints making it inferior.
- We strongly recommend that you keep children away from your work area.
- We recommend that you lay a blanket or sheet on the floor to avoid damage to both your floor and the product.
- Assemble this product as close to its final position as possible.
- Do not place this product next to a radiator or in direct sunlight.
- Do not drag or push items across your high gloss furniture as this may cause the surface to scratch
- Wood is a natural product and may expand if subjected to damp and may shrink or crack if subjected to heat. Therefore it is recommended that room temperature is maintained, with no sudden temperature fluctuations.
- Make sure any spillage is wiped off immediately.
- Do not place hot or chilled items directly on to the surface, use a place mat or marking will occur.
- For general cleaning use a soft cotton or micro fibre cloth, and do not use detergents of any kind.
- From time to time it may be necessary to tighten fittings, regular inspections should be carried out.
- Do not place on a wet or damp floor as staining may occur to your floor.



After assembly use an alcohol based product/cleaner to erase the numbers printed on the parts that are visual.



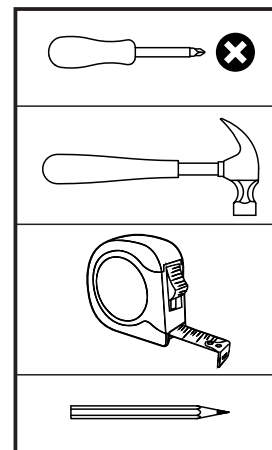
PARTS LIST

Please Note:

The below parts have all been stamped with the part number to help identify them during assembly.


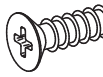
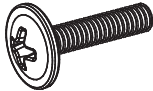
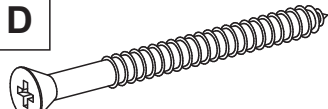
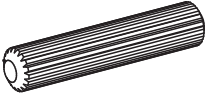

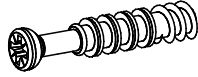





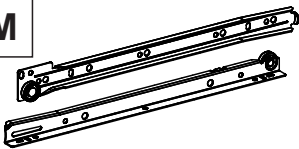
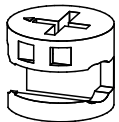

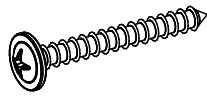

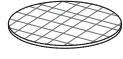
Part Number	Part Description	Quantity	Carton
01	Left Side Panel	1	1/1
02	Right Side Panel	1	1/1
03	Back Baseboard	1	1/1
04	Front Baseboard	1	1/1
05	Top Panel	1	1/1
06	Back Panel	1	1/1
07	Drawer Side	6	1/1
08	Drawer Back Panel	3	1/1
09	Drawer Front	3	1/1
10	Drawer Bottom	3	1/1

TOOLS REQUIRED

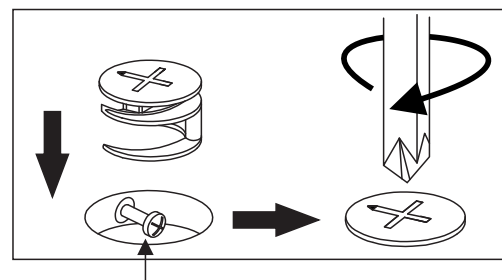
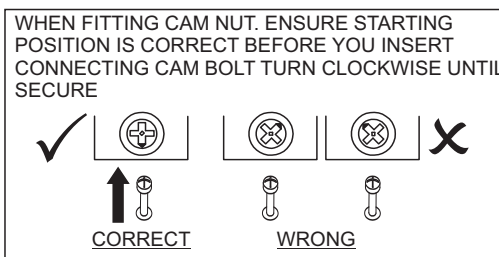


FITTINGS LIST

SEC/SH/05/22/CA8

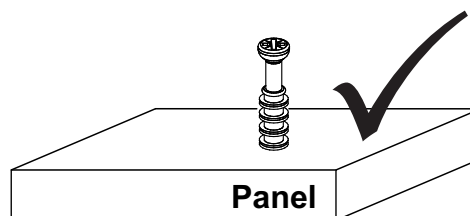
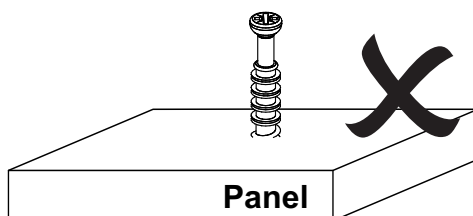
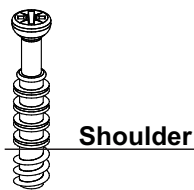
<p>A</p>  <p>Flat Head Screw 1/+ Ø6,0 x 10mm (12x)</p>	<p>B</p>  <p>Flat Head Screw 2/+ Ø4,0 x 14mm (18x)</p>	<p>C</p>  <p>Flan Head Screw 1/+ Ø4,0 x 20mm (6x)</p>	<p>D</p>  <p>Flat Head Screw 2/+ Ø4,0 x 50mm (10x)</p>
<p>E</p>  <p>2/+ Dowel Ø6,0 x 30mm (36x)</p>	<p>F</p>  <p>2/+ Nail 10 x 10 (42x)</p>	<p>G</p>  <p>2/+ Cam Bolt (10x)</p>	<p>H</p>  <p>1/+ Cam Nut Ø12mm (6x)</p>
<p>I</p>  <p>1/+ Plastic Foot (4x)</p>	<p>J</p>  <p>2/+ Hole Plugs (4x)</p>	<p>K</p>  <p>Glue (1x)</p>	<p>L</p>  <p>Handle (3x)</p>
<p>M</p>  <p>Drawer Runners (3x)</p>	<p>N</p>  <p>1/+ Cam Nut Ø15mm (4x)</p>	<p>O</p>  <p>Strap (1x)</p>	<p>P</p>  <p>1/+ Flan Head Screw Ø3,5 x 30mm (1x)</p>
<p>Q</p>  <p>1/+ Washer (2x)</p>	<p>R</p>  <p>2/+ Hole Plugs (6x)</p>		

TIPS FOR FITTINGS CAM-LOCKS



CAMBOLT

Tighten until shoulder in flush with panel. Do not overtighten or undertighten (see example beside)



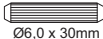
STEP 1

SEC/SH/05/22/CA8

PARTS REQUIRED

1 - LEFT SIDE PANEL x1

HARDWARE REQUIRED

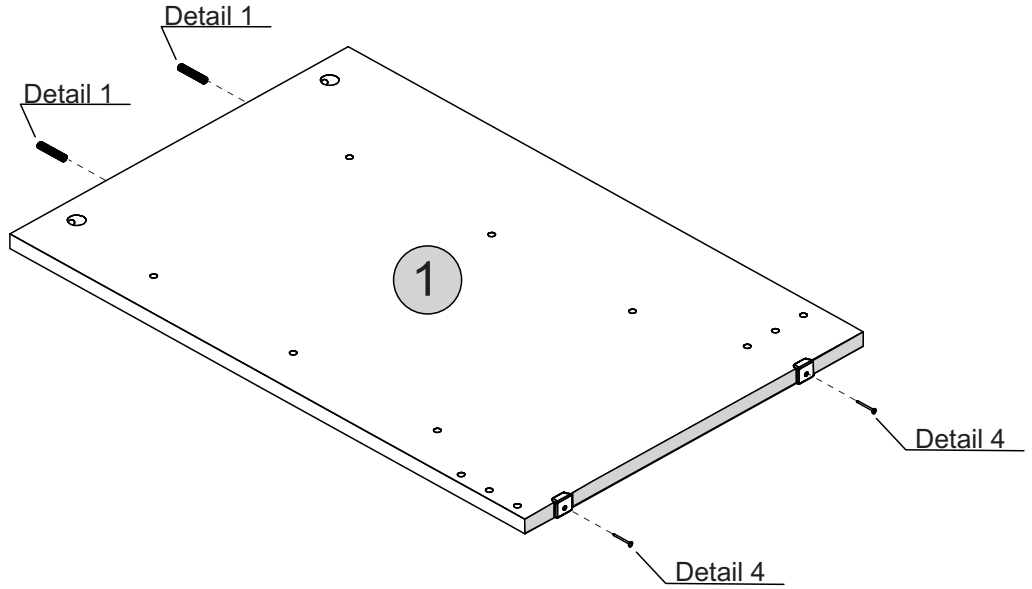
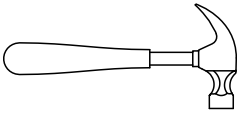
E  02
Ø6,0 x 30mm

F  02
10 x 10

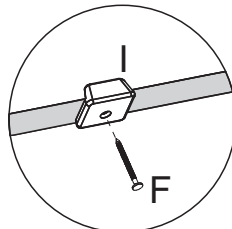
I  02

K  01
GLUE

TOOLS REQUIRED



Detail 1



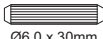
Detail 4


STEP 2

PARTS REQUIRED

2 - RIGHT SIDE PANEL x1

HARDWARE REQUIRED

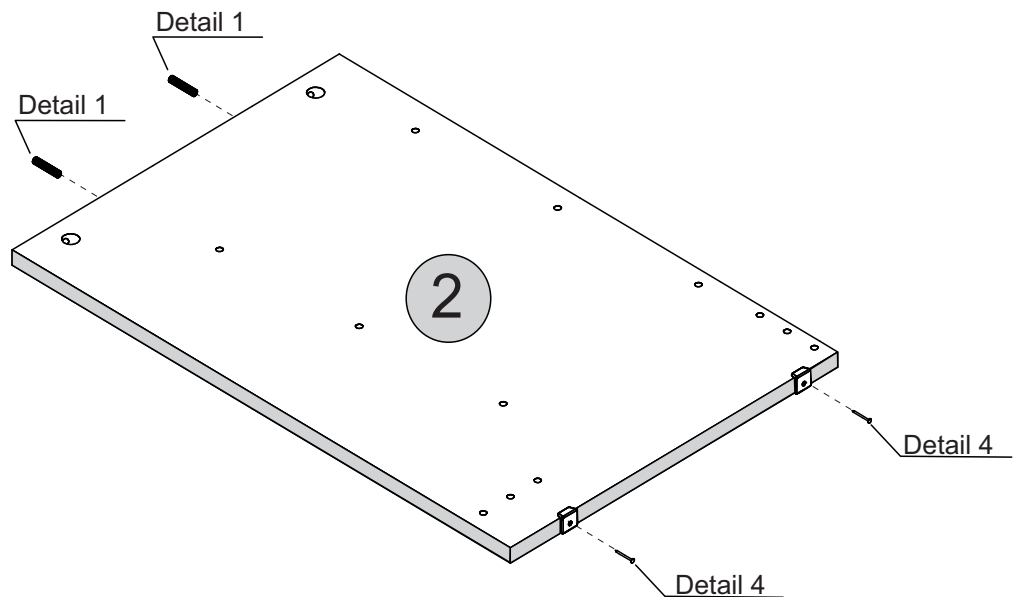
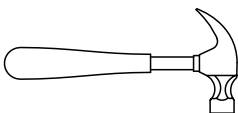
E  02
Ø6,0 x 30mm

F  02
10 x 10

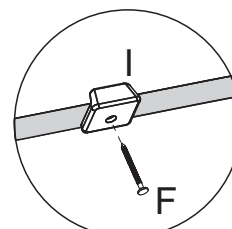
I  02

K  01
GLUE

TOOLS REQUIRED



Detail 1




Detail 4

STEP 3

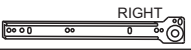
PARTS REQUIRED

2 - RIGHT SIDE PANEL x1

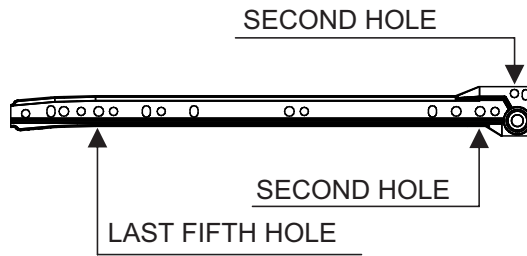
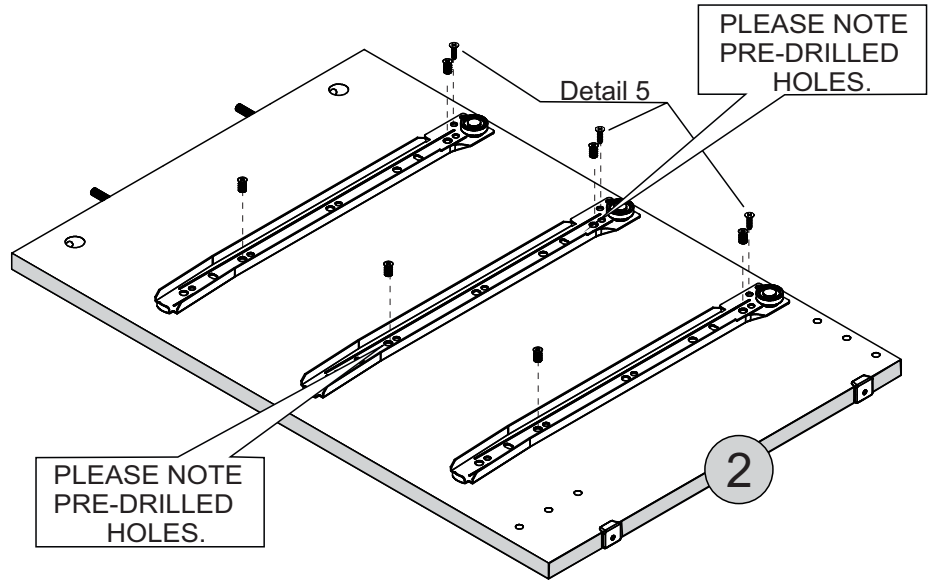
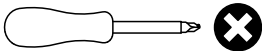
HARDWARE REQUIRED

A  06
Ø6.0 x 10mm

B  03
Ø4.0 x 14mm

M  03
RIGHT

TOOLS REQUIRED



Detail 5

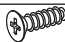
STEP 4

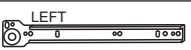
PARTS REQUIRED

1 - LEFT SIDE PANEL x1

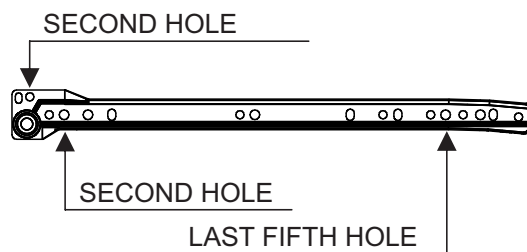
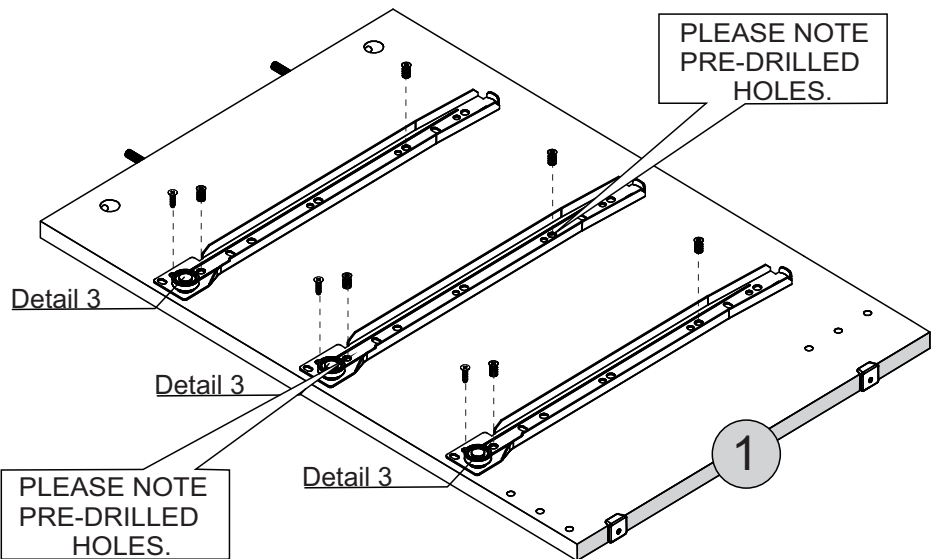
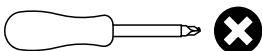
HARDWARE REQUIRED

A  06
Ø6.0 x 10mm

B  03
Ø4.0 x 14mm

M  03
LEFT

TOOLS REQUIRED



Detail 3

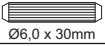
STEP 5

PARTS REQUIRED

3 - BACK BASEBOARD x1

4 - FRONT BASEBOARD x1

HARDWARE REQUIRED

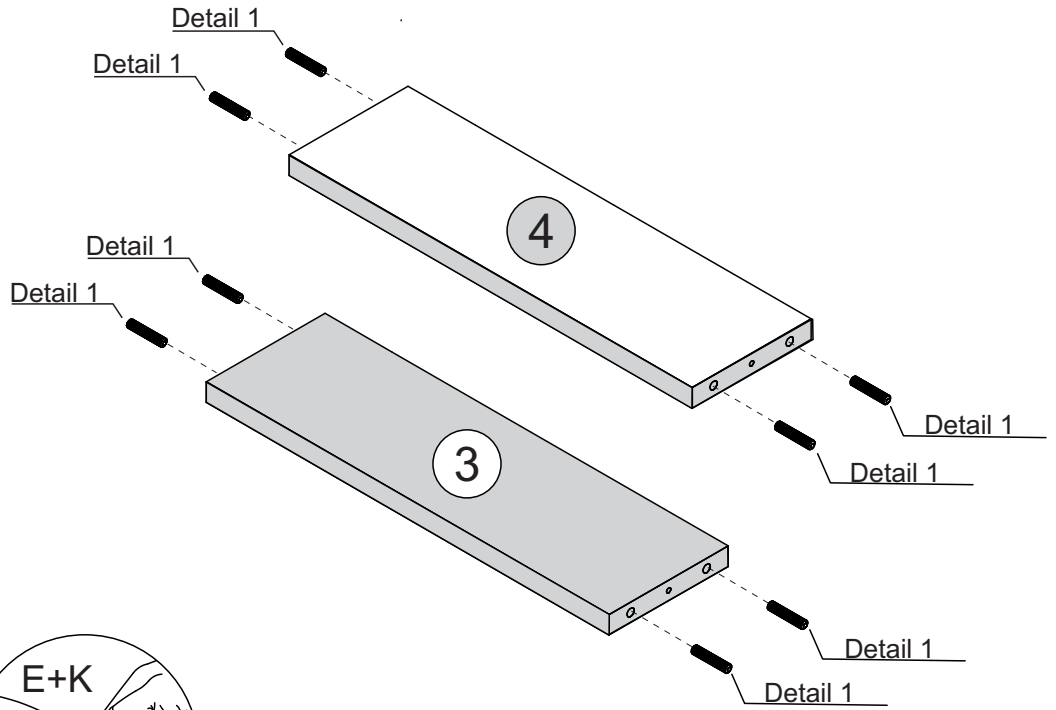
E  08
Ø6,0 x 30mm

K  01
GLUE

TOOLS REQUIRED



Detail 1



STEP 6

PARTS REQUIRED

2 - RIGHT SIDE PANEL x1

3 - BACK BASEBOARD x1

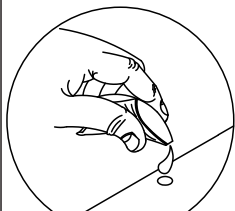
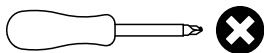
4 - FRONT BASEBOARD x1

HARDWARE REQUIRED

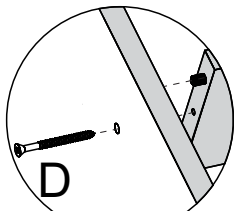
D  02
Ø4 x 50mm

K  01
GLUE

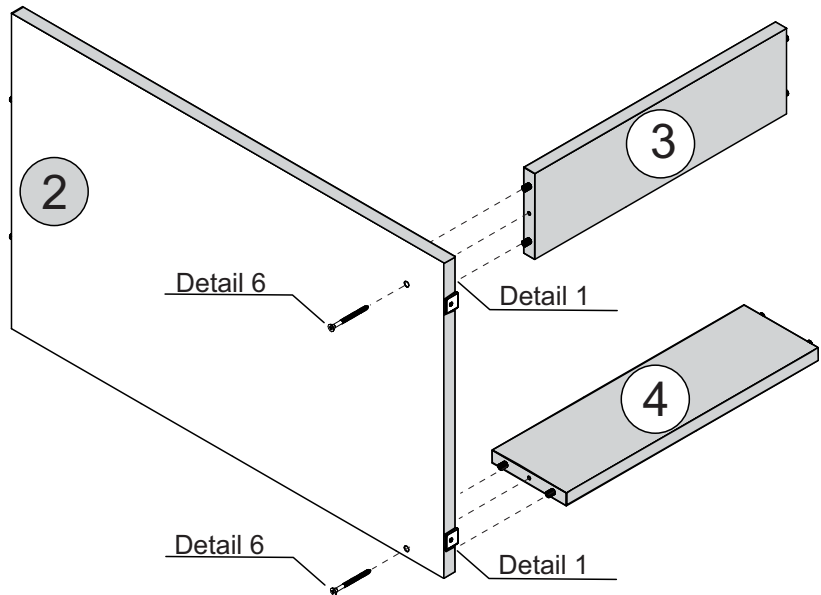
TOOLS REQUIRED



Detail 1



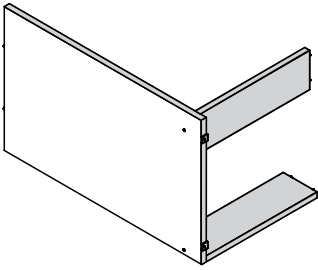
Detail 6



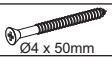
STEP 7

PARTS REQUIRED

1 - LEFT SIDE PANEL x1

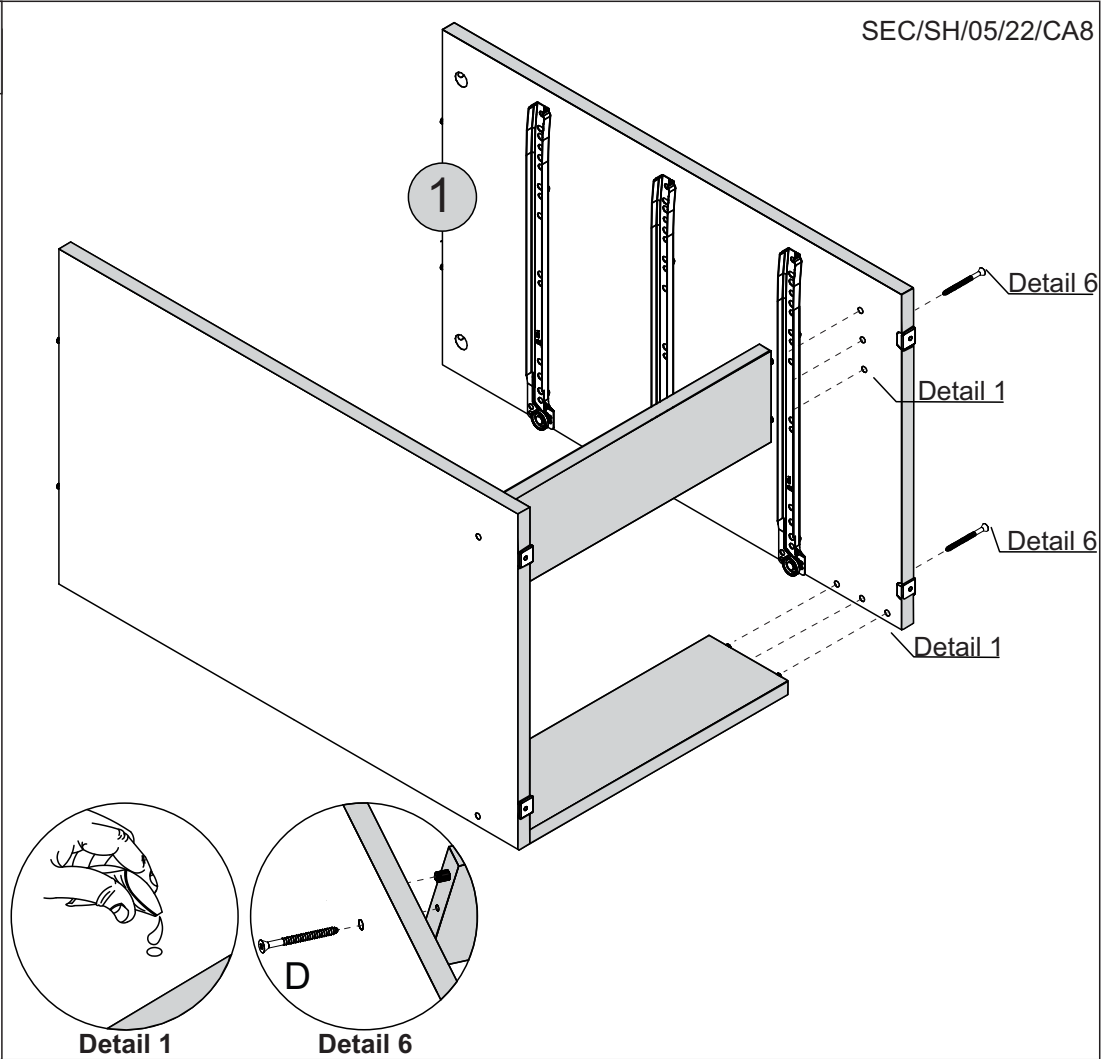
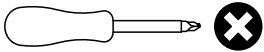


HARDWARE REQUIRED

D  02
Ø4 x 50mm

K  01
GLUE

TOOLS REQUIRED



Detail 1

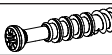
Detail 6

STEP 8

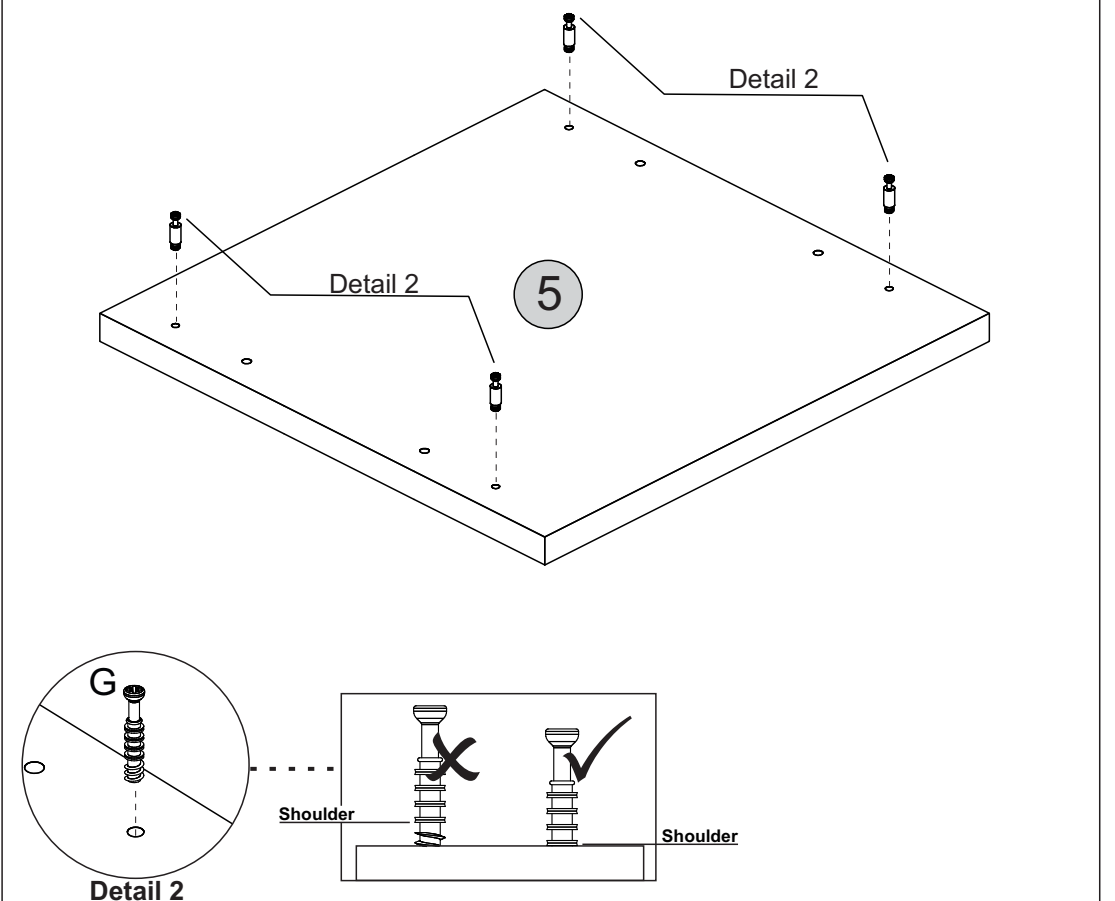
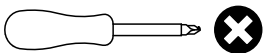
PARTS REQUIRED

5 - TOP PANEL x1

HARDWARE REQUIRED

G  04

TOOLS REQUIRED

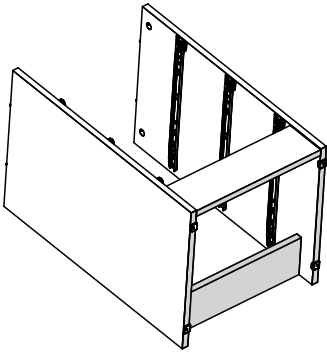


Detail 2

STEP 9

PARTS REQUIRED

5 - TOP PANEL x1

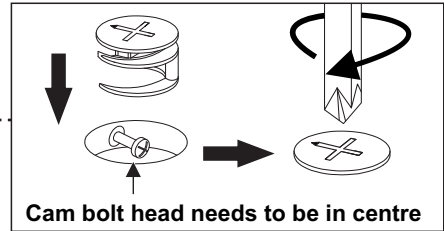
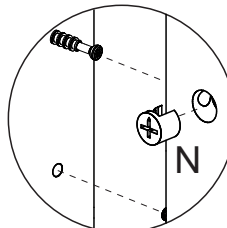
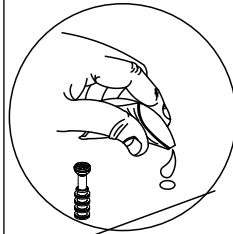
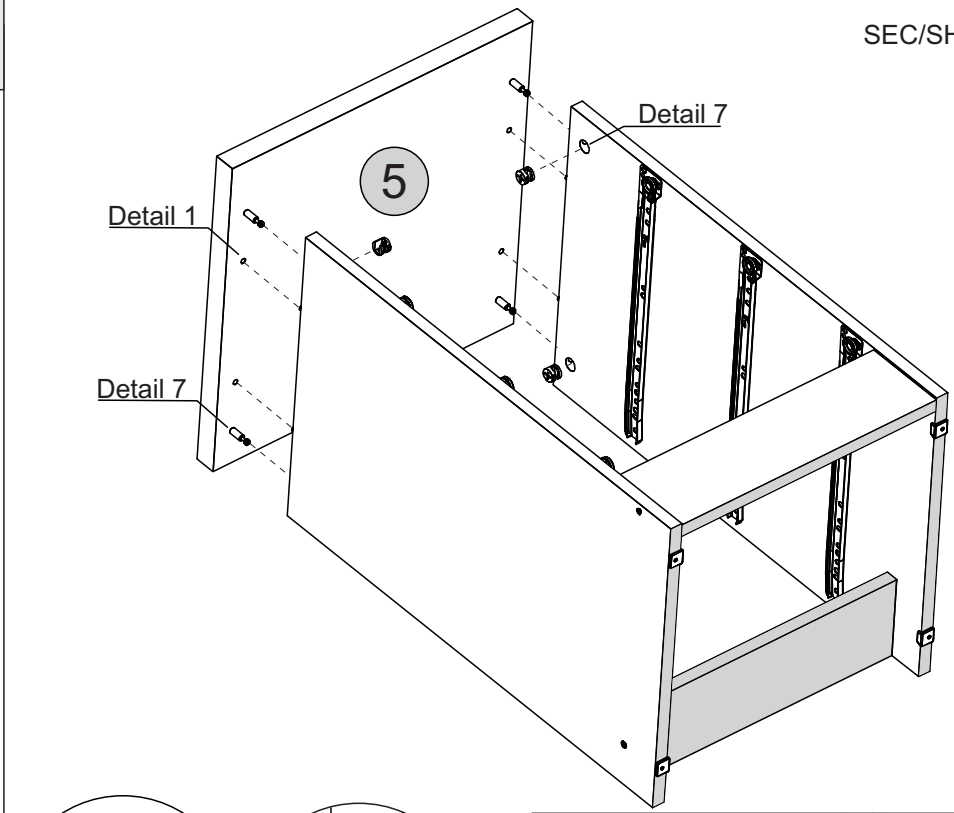
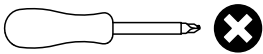


HARDWARE REQUIRED

K  01

N  04

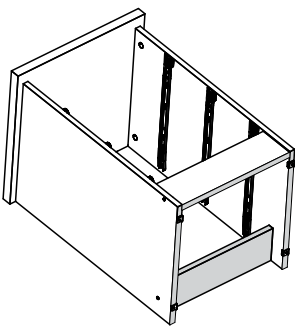
TOOLS REQUIRED



STEP 10

PARTS REQUIRED

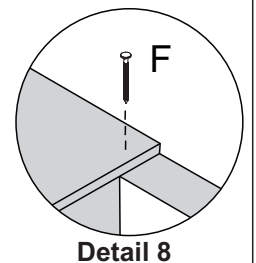
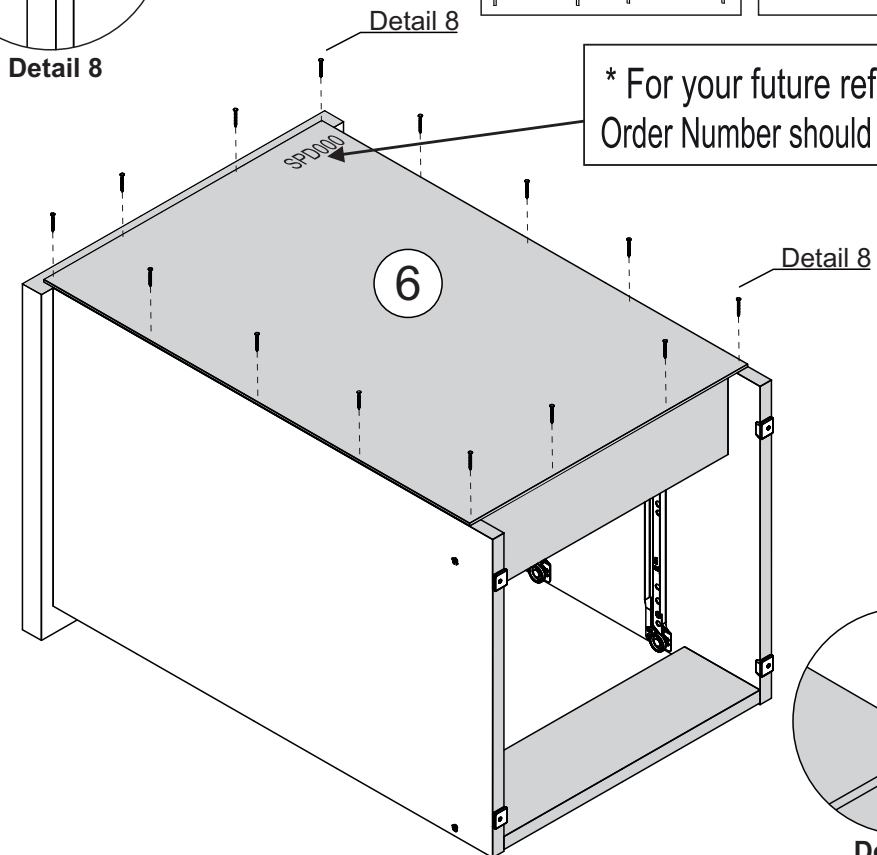
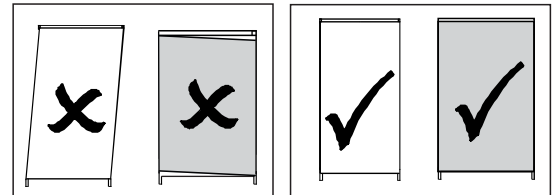
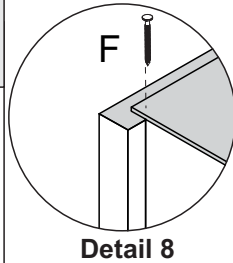
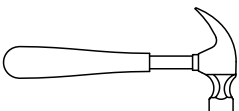
6 - BACK PANEL x1



HARDWARE REQUIRED

F  14

TOOLS REQUIRED



STEP 11

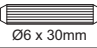
SEC/SH/05/22/CA8

PARTS REQUIRED

7 - DRAWER SIDE x6

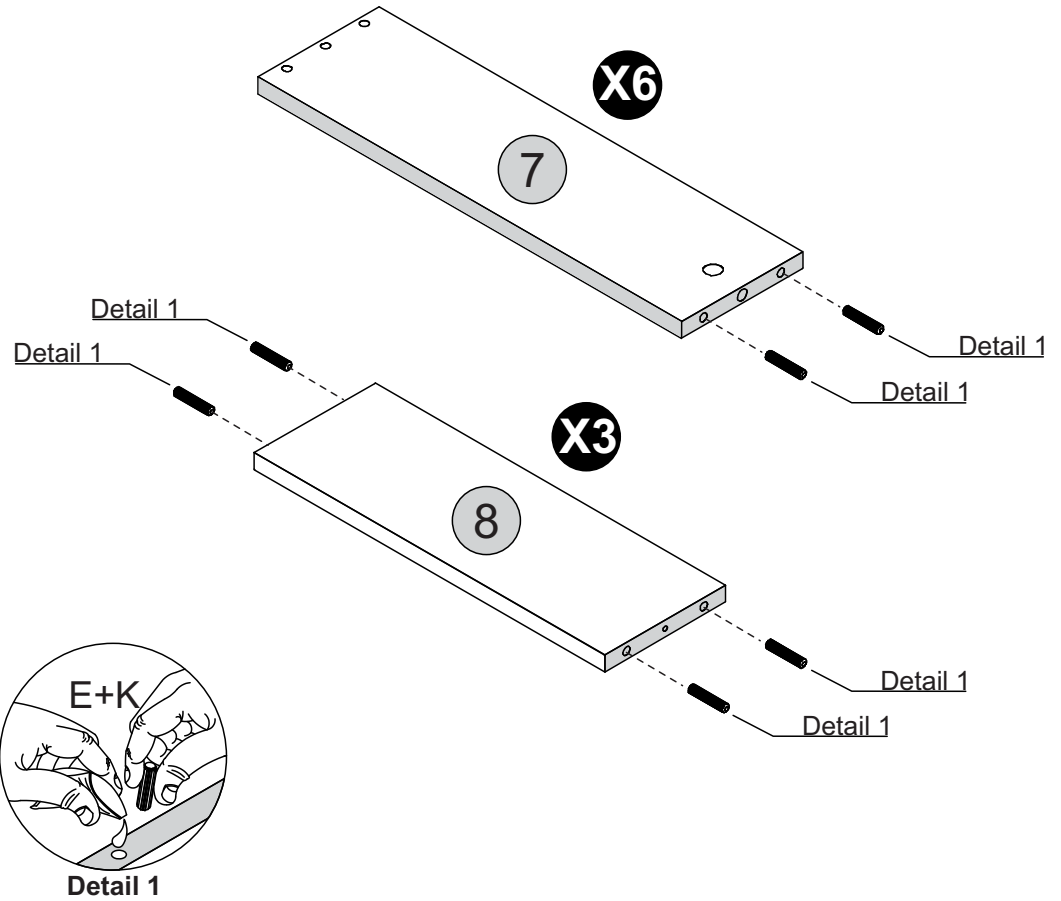
8 - DRAWER BACK PANEL x3

HARDWARE REQUIRED

E  24
Ø6 x 30mm

K  01
GLUE

TOOLS REQUIRED

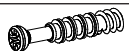


STEP 12

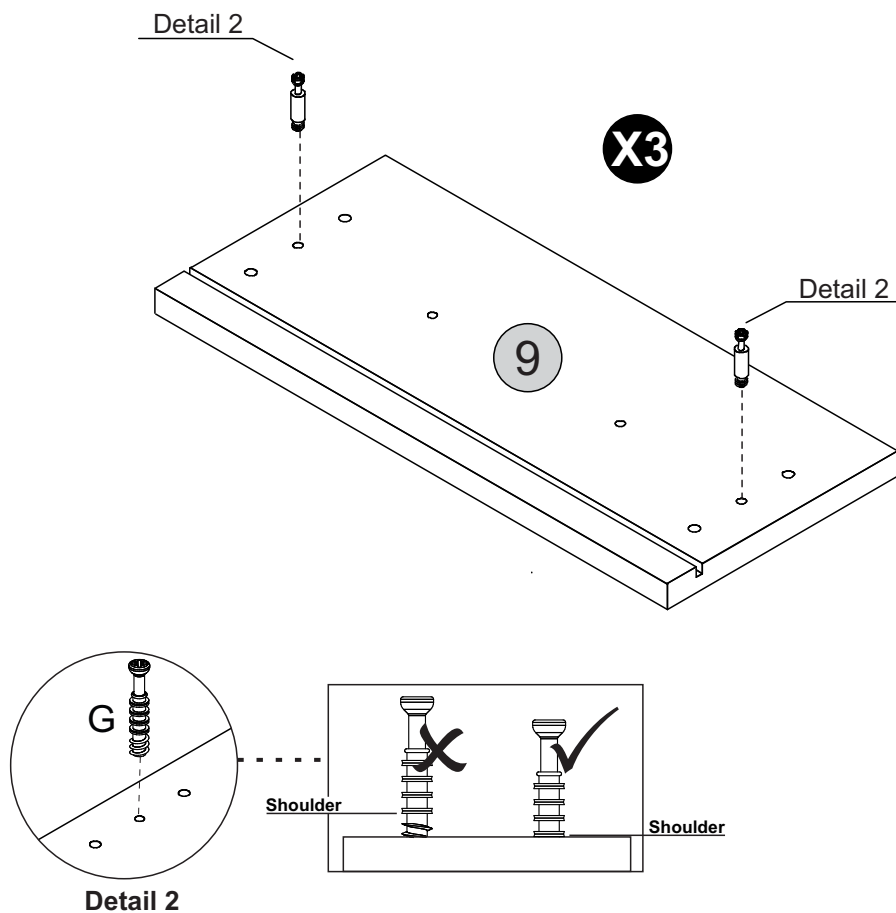
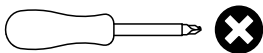
PARTS REQUIRED

9 - DRAWER FRONT x3

HARDWARE REQUIRED

G  06

TOOLS REQUIRED



STEP 13

PARTS REQUIRED

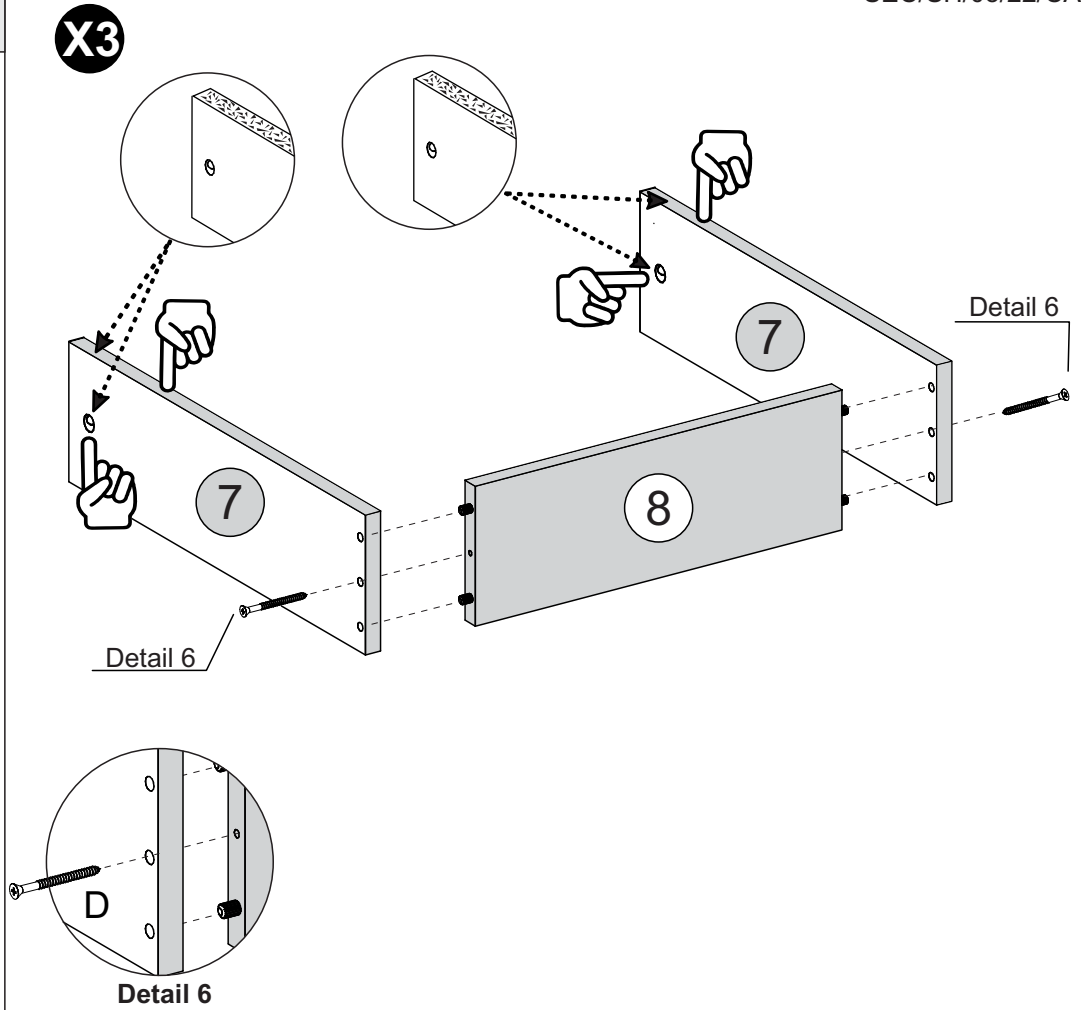
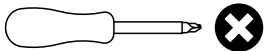
7 - DRAWER SIDE x6

8 - DRAWER BACK PANEL x3

HARDWARE REQUIRED

D  06
Ø4 x 50mm

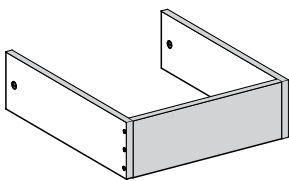
TOOLS REQUIRED



STEP 14

PARTS REQUIRED

9 - DRAWER FRONT x3

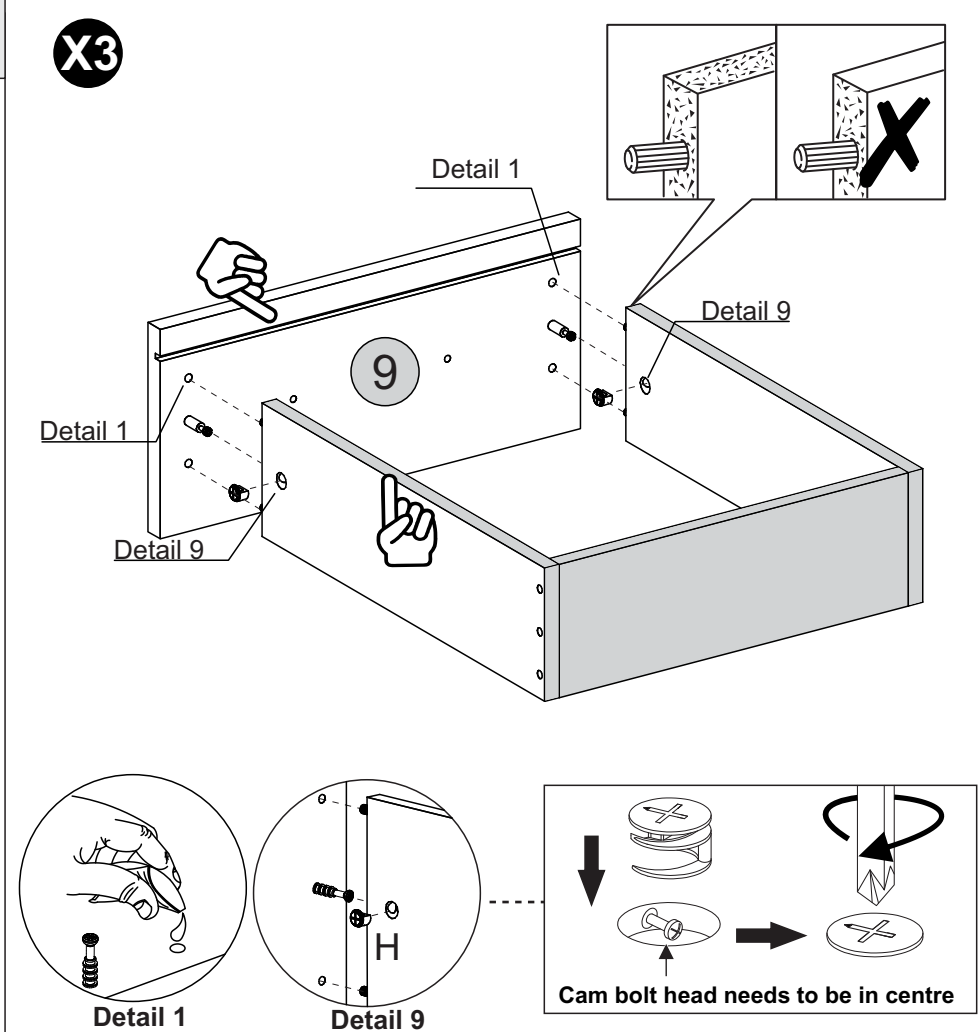
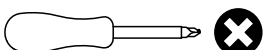


HARDWARE REQUIRED

H  06

K  01
GLUE

TOOLS REQUIRED

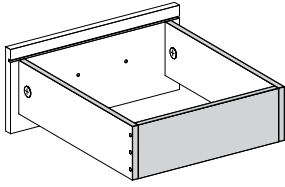


STEP 15


SEC/SH/05/22/CA8

PARTS REQUIRED

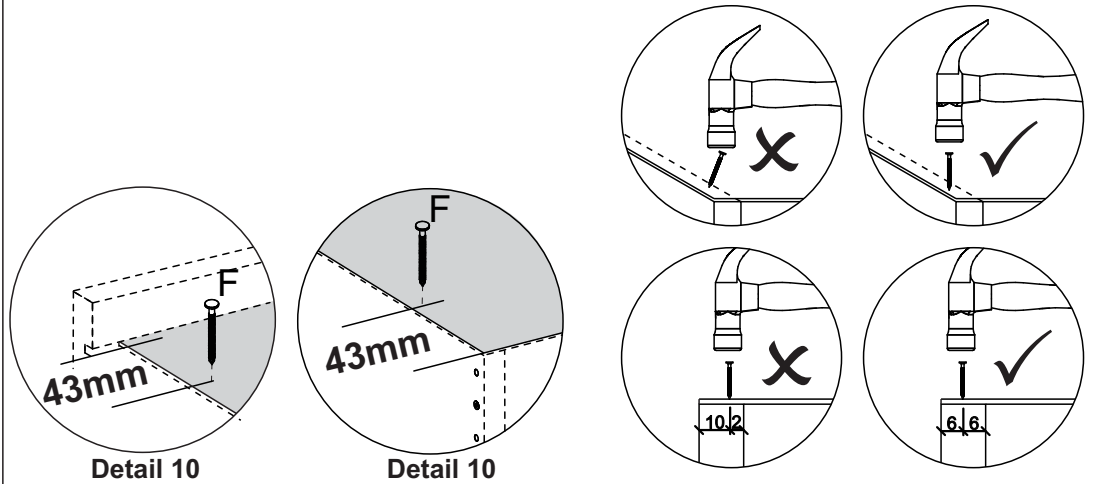
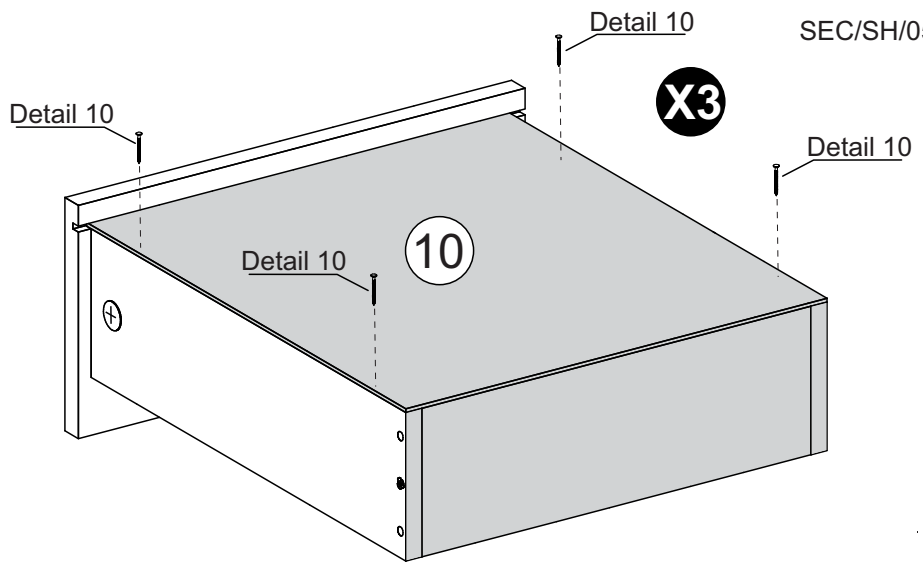
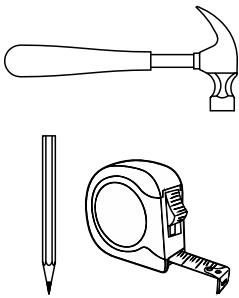
10 - DRAWER BOTTOM x3



HARDWARE REQUIRED

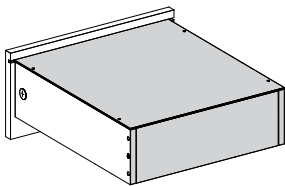
F  12
10 x 10

TOOLS REQUIRED



STEP 16

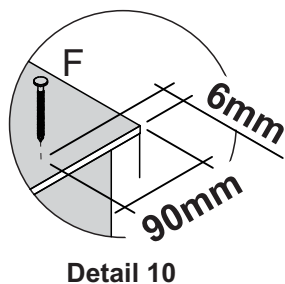
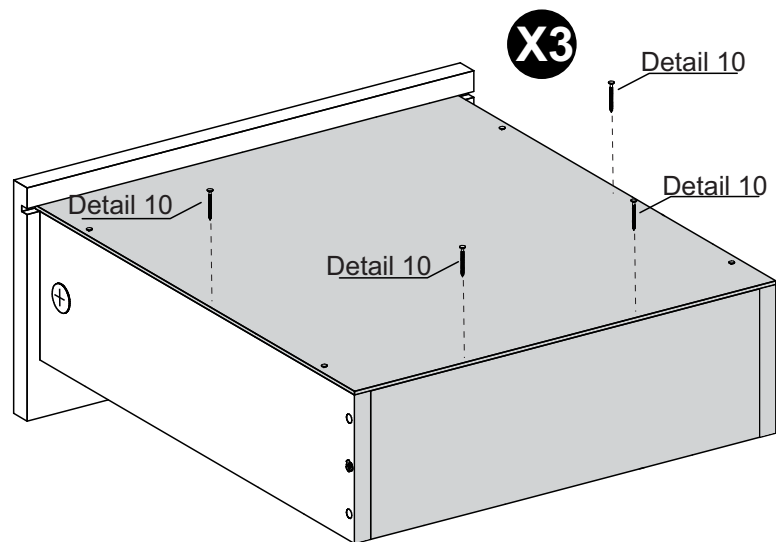
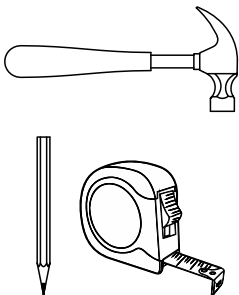
PARTS REQUIRED



HARDWARE REQUIRED

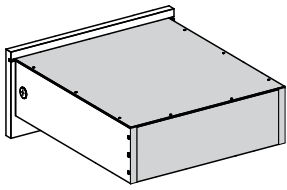
F  12
10 x 10

TOOLS REQUIRED

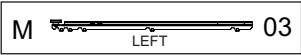
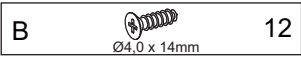


STEP 17

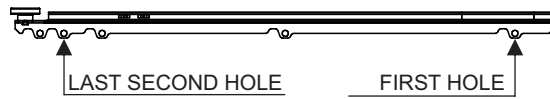
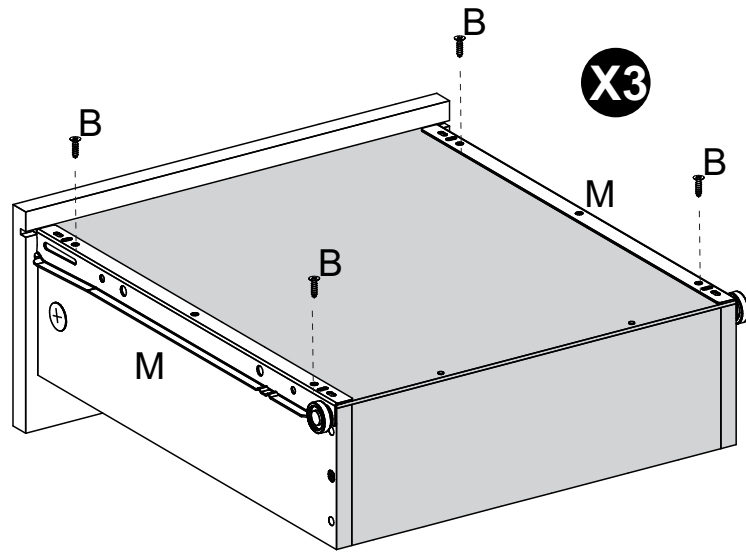
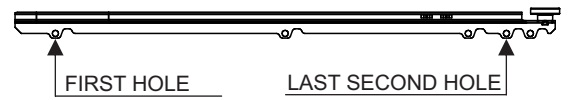
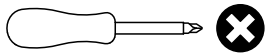
PARTS REQUIRED



HARDWARE REQUIRED

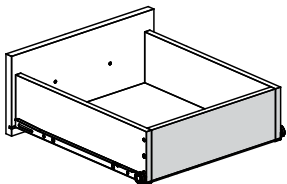


TOOLS REQUIRED

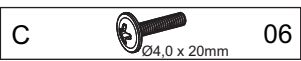


STEP 18

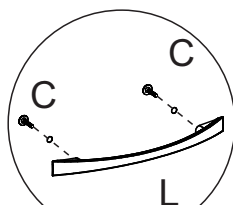
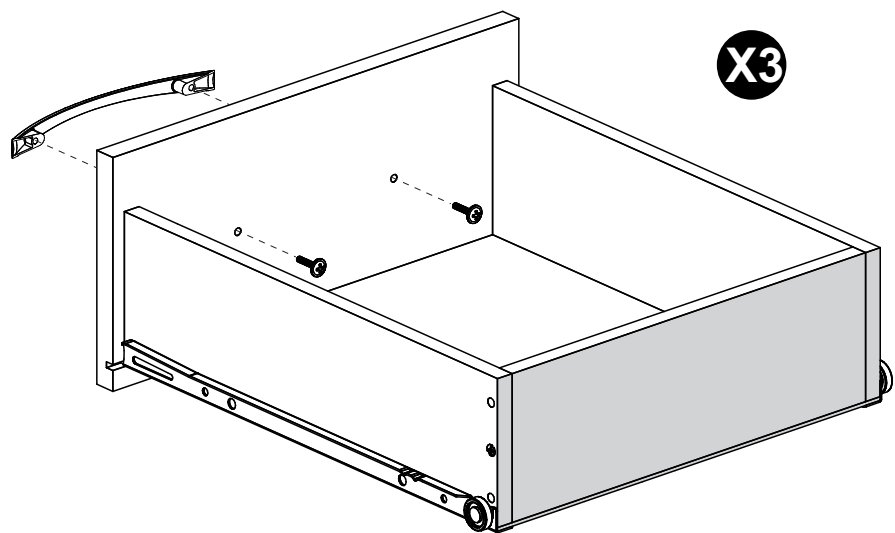
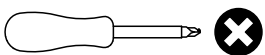
PARTS REQUIRED



HARDWARE REQUIRED



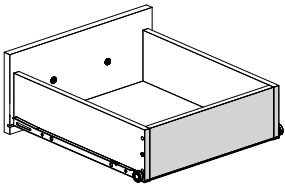
TOOLS REQUIRED



Detail 11

STEP 19

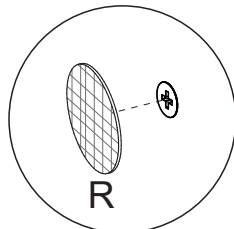
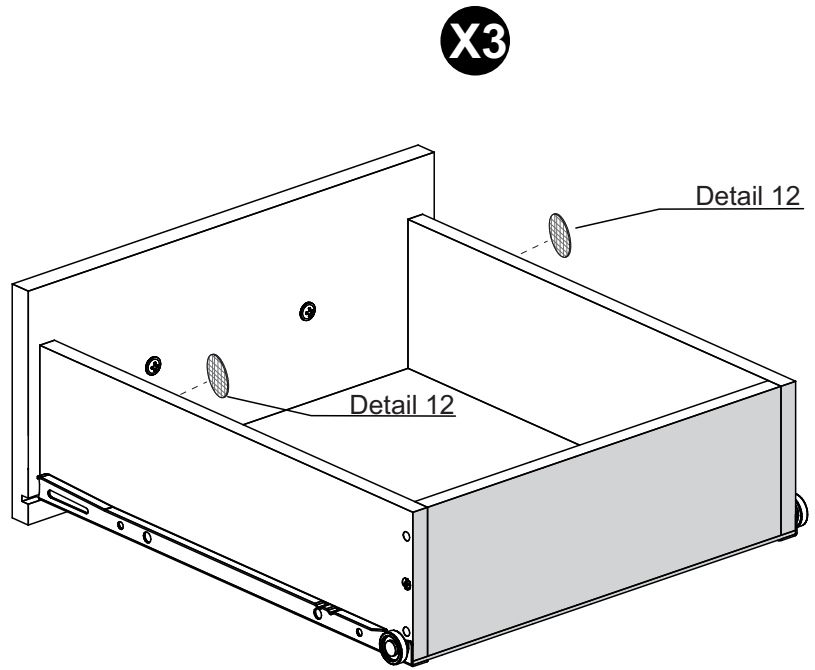
PARTS REQUIRED



HARDWARE REQUIRED



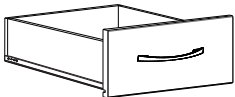
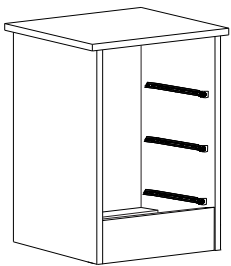
TOOLS REQUIRED



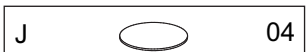
Detail 12

STEP 20

PARTS REQUIRED



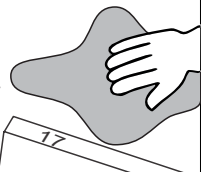
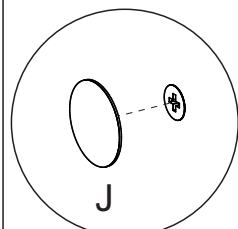
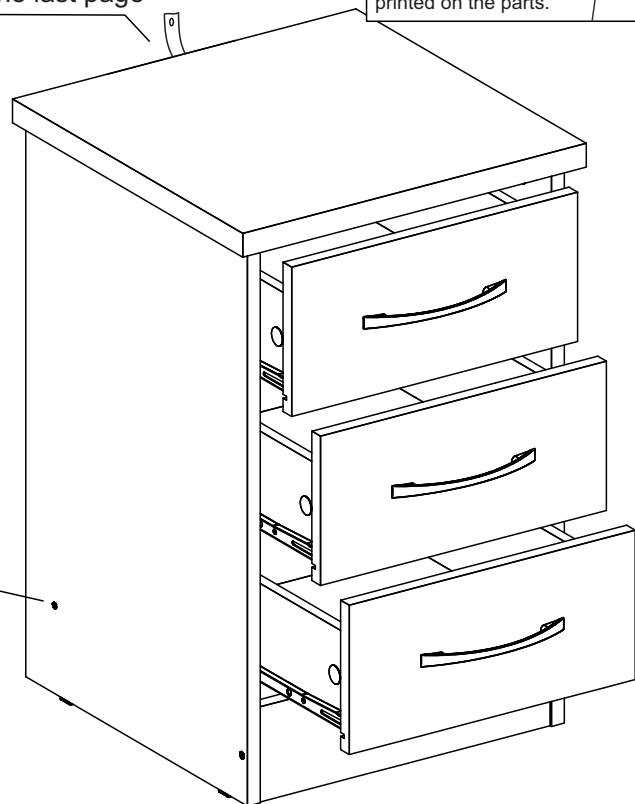
HARDWARE REQUIRED



TOOLS REQUIRED

 See the last page

TIP
If desired, after assembly use an alcohol cleaner to erase the number printed on the parts.

Detail 12

WARNING

Serious or fatal injuries can occur from furniture tipping over. To prevent the furniture from tipping over we recommend that it is permanently fixed to the wall.

Wall fixings are not supplied with this product as different wall materials require different types of fixing devices.

Please make sure you use fixings suitable for the walls in your home.

