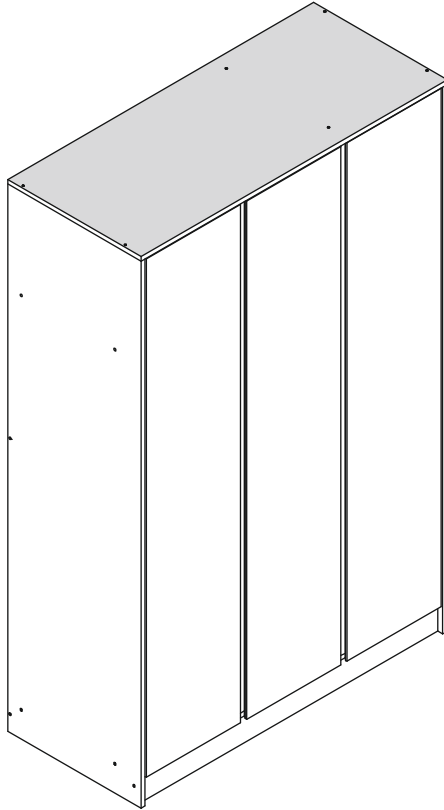


GREY MALVERN 3 DOOR WARDROBE ASSEMBLY INSTRUCTIONS



**FOR DOMESTIC USE ONLY
IMPORTANT
PLEASE READ BEFORE YOU CONTINUE FURTHER**

THE PRODUCT YOU HAVE PURCHASED WILL GIVE YOU MANY YEARS OF SERVICE IF YOU FOLLOW THE GUIDELINES FOR ITS SAFE ASSEMBLY AND PERIODIC MAINTENANCE AND CLEANING.

ASSEMBLE ON A SOFT CLEAN SURFACE.

DO NOT USE ANY TOOLS OTHER THAN THOSE SHOWN.

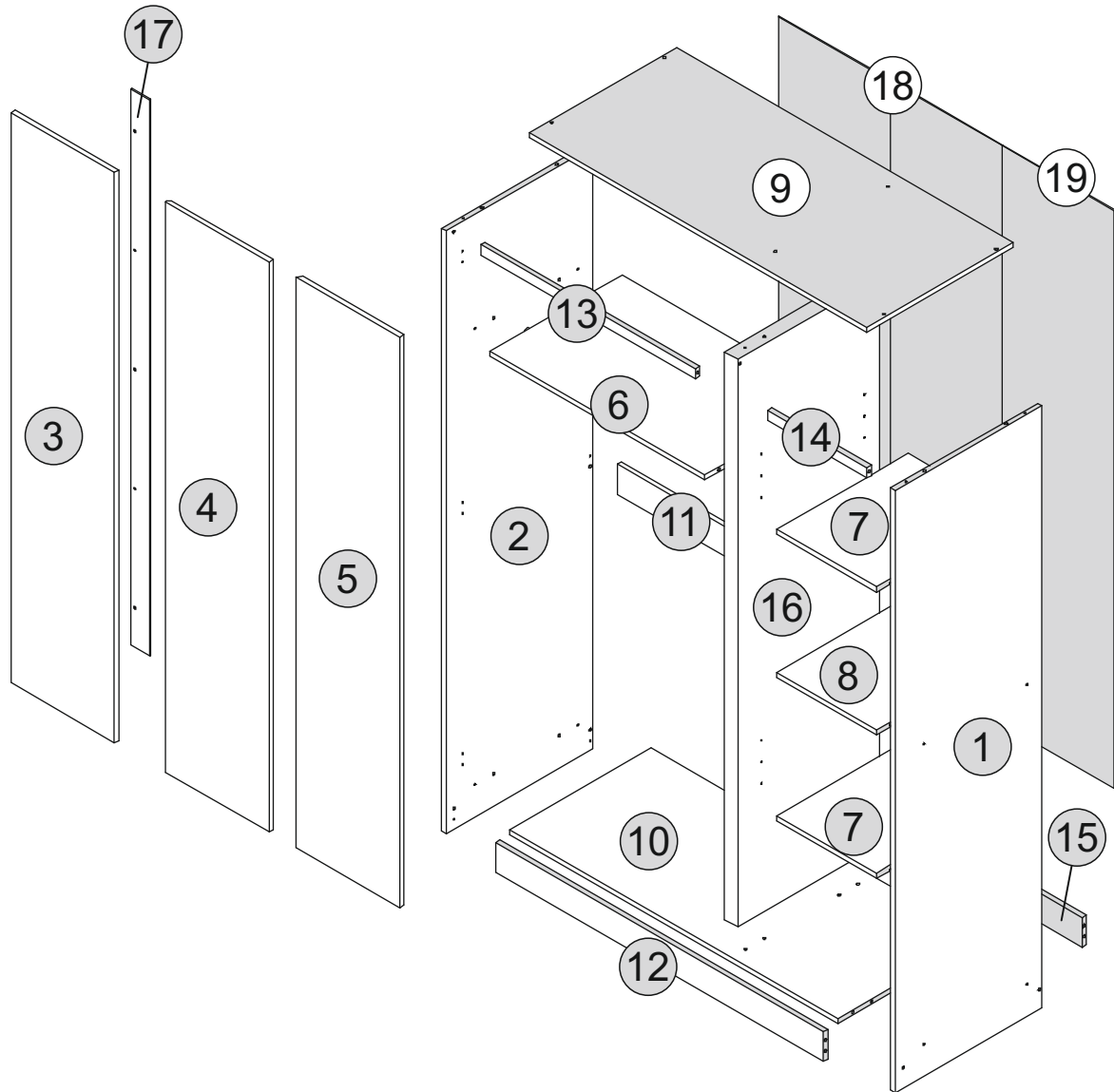
ANY SPANNERS OR ALLEN KEYS REQUIRED ARE INCLUDED WITH THE FITTING KIT.

DO NOT FOR ANY REASON USE A POWER TOOL TO ASSEMBLE THIS PRODUCT. ITS USE WILL INVALIDATE ANY CLAIM YOU MAY HAVE AND COULD MAKE THIS PRODUCT UNSAFE.

DEPENDING ON THE AMOUNT OF USE THIS PRODUCT RECEIVES, IT MAY BE NECESSARY TO TIGHTEN UP THE FIXINGS FROM TIME TO TIME. THIS IS COMPLETELY NORMAL FOR ANY FLAT PACK FURNITURE. DO NOT OVERTIGHTEN FIXINGS.

FOR CLEANING, YOU MAY USE A DAMP CLOTH (NOT WET). DO NOT USE POLISH, DETERGENT OR CHEMICAL CLEANERS.

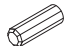
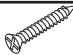




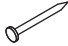







THIS SURFACE OF THIS ITEM IS NOT HEAT RESISTANT. ALWAYS USE A PLACE MAT UNDER HOT OR COLD ITEMS TO PREVENT MARKING.



PART LIST

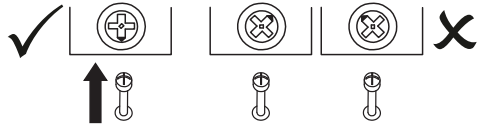
Part Number	Part Code	Part Description	Quantity	Carton
1	S100-101-174-ZF1-01	Right Side Panel	1	1/3
2	S100-101-174-ZF1-02	Left Side Panel	1	1/3
3	S100-101-174-ZF1-03	Left Door	1	2/3
4	S100-101-174-ZF1-04	Centre Door	1	2/3
5	S100-101-174-ZF1-05	Right Door	1	2/3
6	S100-101-174-ZF1-06	Large Shelf Panel	1	3/3
7	S100-101-174-ZF1-07	Small Shelf Panel	2	3/3
8	S100-101-174-ZF1-08	Shelf Panel	1	1/3
9	S100-101-174-ZF1-09	Top Panel	1	1/3
10	S100-101-174-ZF1-10	Bottom Panel	1	3/3
11	S100-101-174-ZF1-11	Back Support Panel	1	2/3
12	S100-101-174-ZF1-12	Front Crossbar	1	2/3
13	S100-101-174-ZF1-13	Large Support Panel	1	3/3
14	S100-101-174-ZF1-14	Small Support Panel	1	1/3
15	S100-101-174-ZF1-15	Back Crossbar	1	2/3
16	S100-101-174-ZF1-16	Centre Panel	1	2/3
17	S100-101-174-ZF1-17	Door Support	1	1/3
18	S100-101-174-ZF1-18	Large Back Panel	1	1/3
19	S100-101-174-ZF1-19	Small Back Panel	1	1/3

HARDWARE LIST

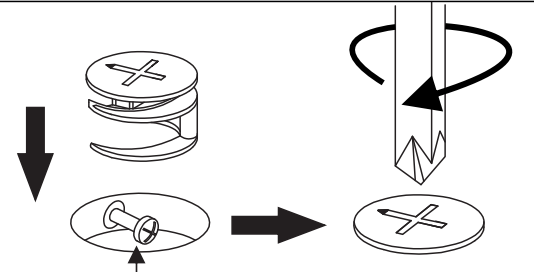
No	Part Name		Qty	Carton
A	M8x30mm Wooden Dowel		x30	2
B	M4x45mm Screw		x21	2
C	M3.5x16mm Screw		x51	2
D	PVC L-Bracket		x4	2
E	Screw Cover <small>(Sticker 12mm)</small>		x13	2
F	Plastic Foot		x6	2
G	6/8" Nail		x94	2
H	Hanging Rail (746mm)		x1	2
I	Wall Fixing <small>(4x20mm=1pc)</small>		x1	2
J	End Hinges <small>(M11)- Big</small>		x6	2
K	Centre Hinges <small>(M03 - 4 hole)</small>		x3	2
L	Minifix Cam Bolt <small>(8032t)</small>		x5	2
M	Minifix Cam Nut <small>(1512)</small>		x5	2
N	Shelf Support <small>(AC45-W)</small>		x8	2

TIPS FOR FITTINGS CAM-LOCKS

WHEN FITTING CAM NUT. ENSURE STARTING POSITION IS CORRECT BEFORE YOU INSERT CONNECTING CAM BOLT TURN CLOCKWISE UNTIL SECURE



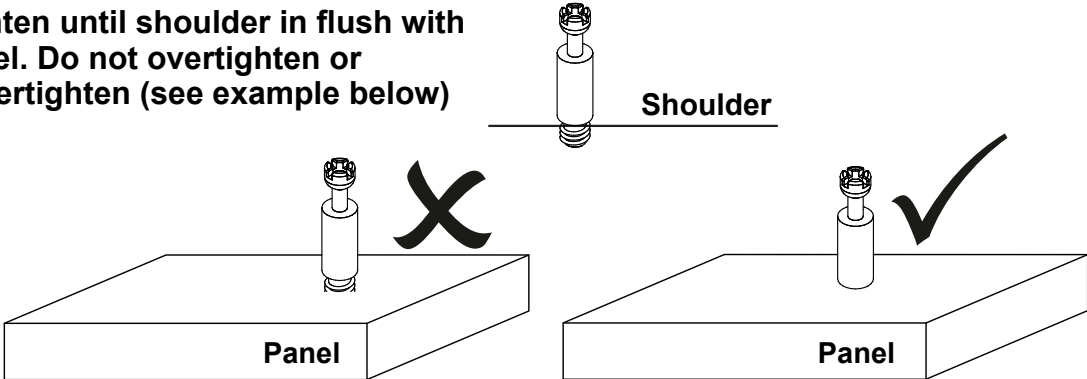
CORRECT **WRONG**



Cam bolt head needs to be in centre

CAMBOLT

Tighten until shoulder in flush with panel. Do not overtighten or undertighten (see example below)



Shoulder

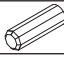


Panel **Panel**

STEP 1

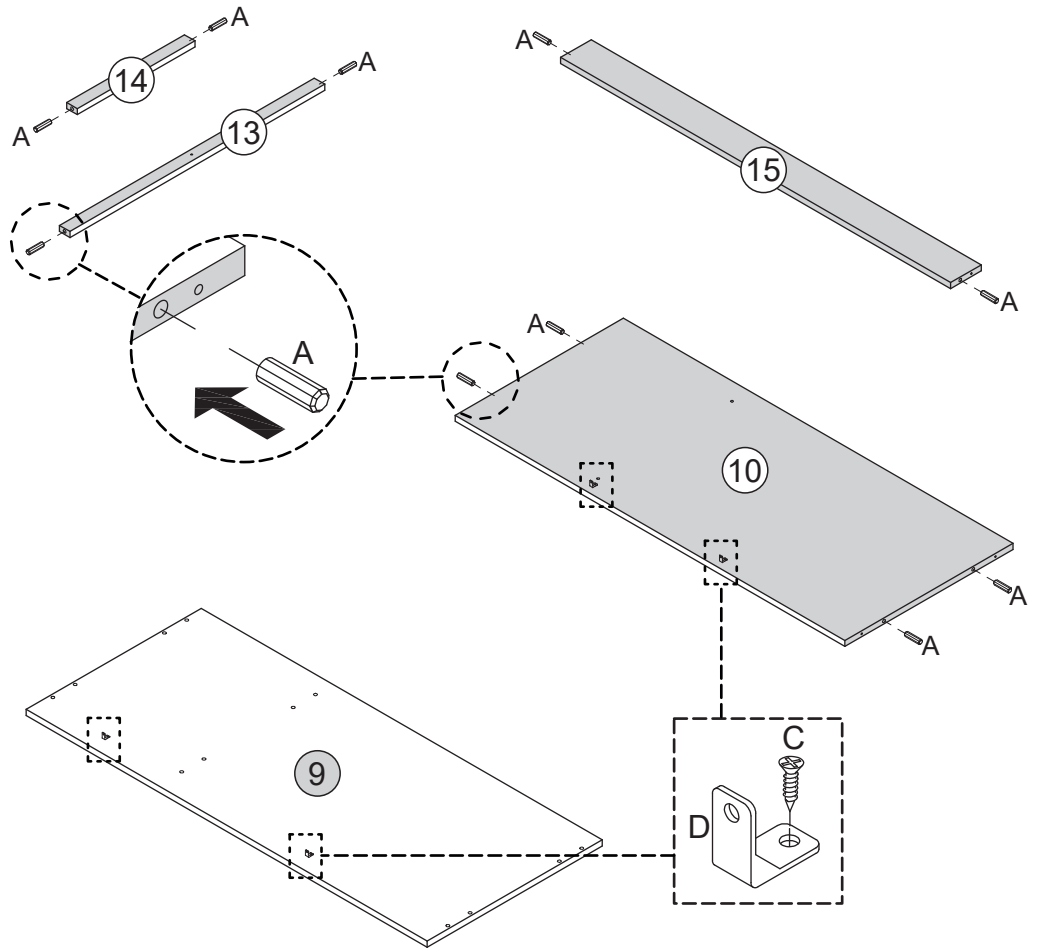
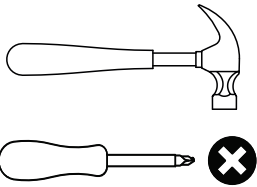
PARTS REQUIRED

9 - TOP PANEL	x1
10 - BOTTOM PANEL	x1
13 - LARGE SUPPORT PANEL	x1
14 - SMALL SUPPORT PANEL	x1
15 - BACK CROSSBAR	x1

HARDWARE REQUIRED

A		10
C		04
D		04

TOOLS REQUIRED

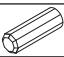



STEP 2

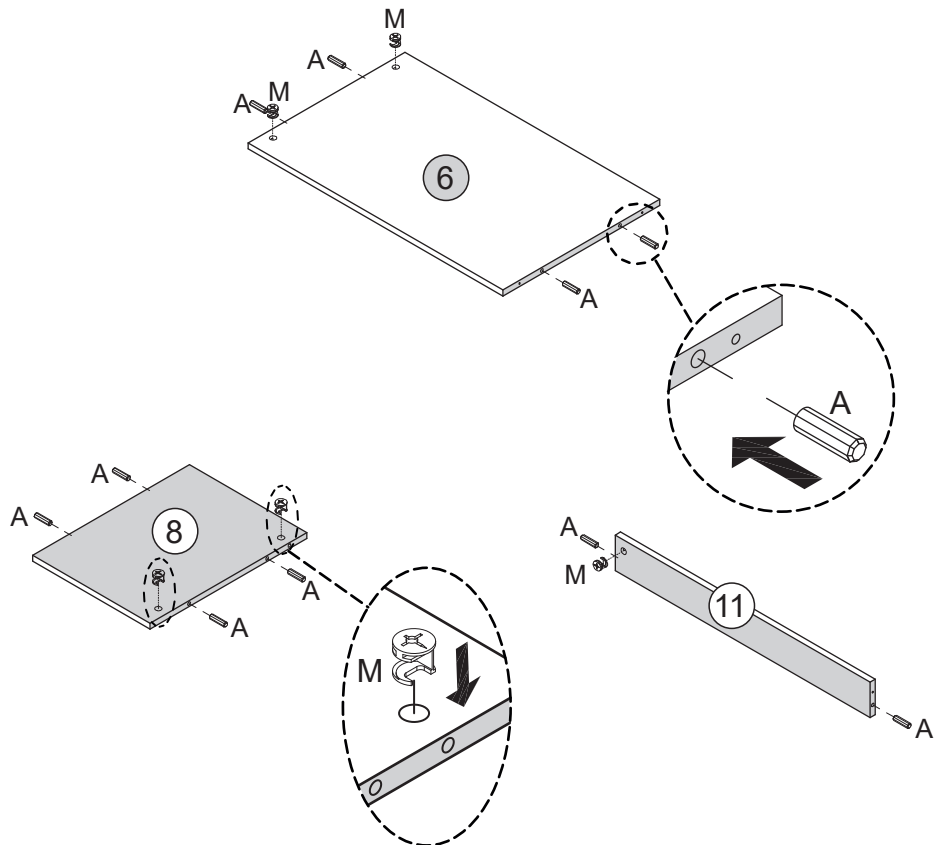
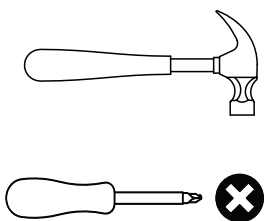
PARTS REQUIRED

6 - LARGE SHELF PANEL	x1
8 - SHELF PANEL	x1
11 - BACK SUPPORT PANEL	x1

HARDWARE REQUIRED

A		10
M		05

TOOLS REQUIRED

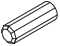




STEP 3

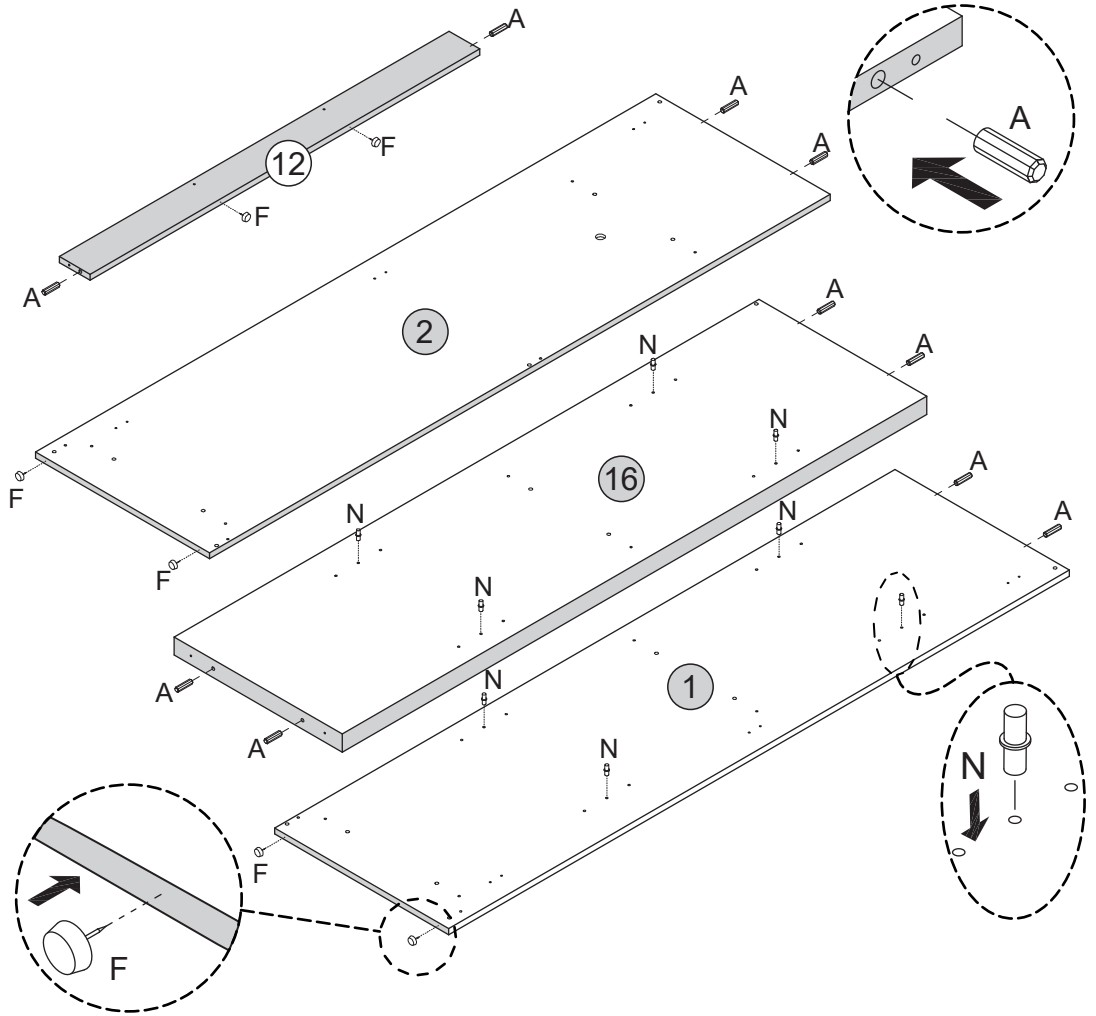
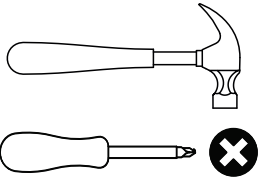
PARTS REQUIRED

1 - RIGHT SIDE PANEL	x1
2 - LEFT SIDE PANEL	x1
12 - FRONT CROSSBAR	x1
16 - CENTRE PANEL	x1

HARDWARE REQUIRED

A		10
F		06
N		08

TOOLS REQUIRED




STEP 4

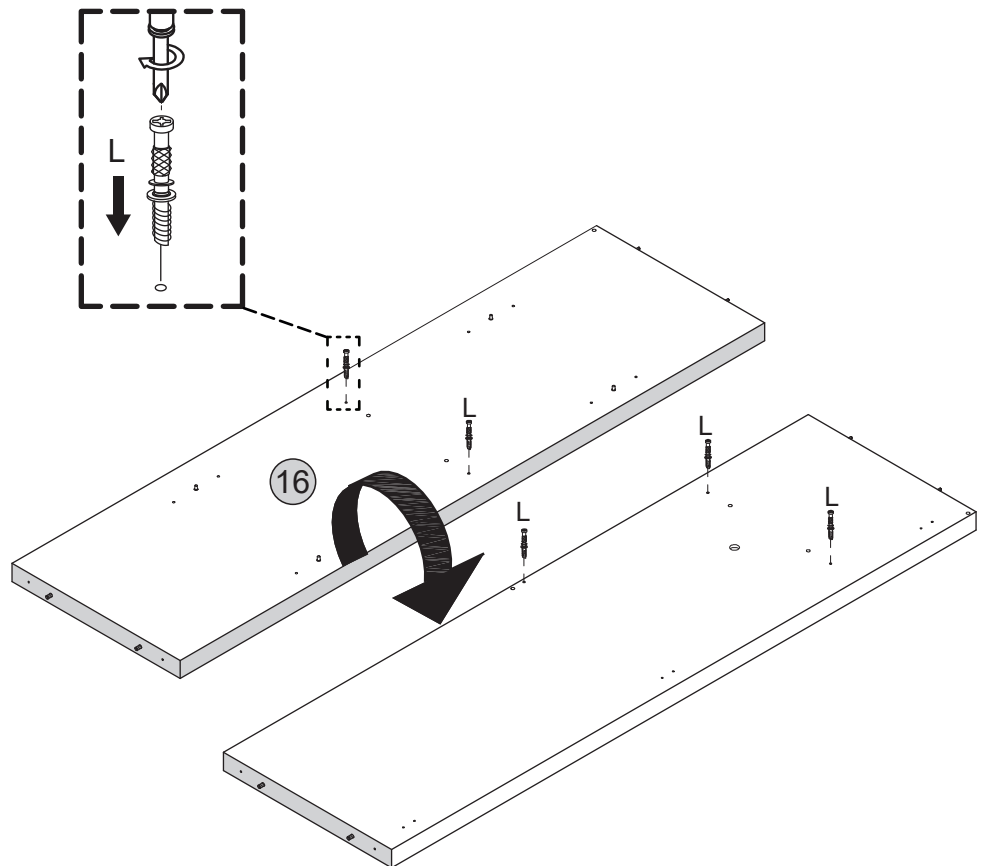
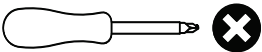
PARTS REQUIRED

16 - CENTRE PANEL	x1
-------------------	----

HARDWARE REQUIRED

L		05
---	---	----

TOOLS REQUIRED



STEP 5

PARTS REQUIRED

3 - LEFT DOOR x1


4 - CENTRE DOOR x1


5 - RIGHT DOOR x1

17 - DOOR SUPPORT x1

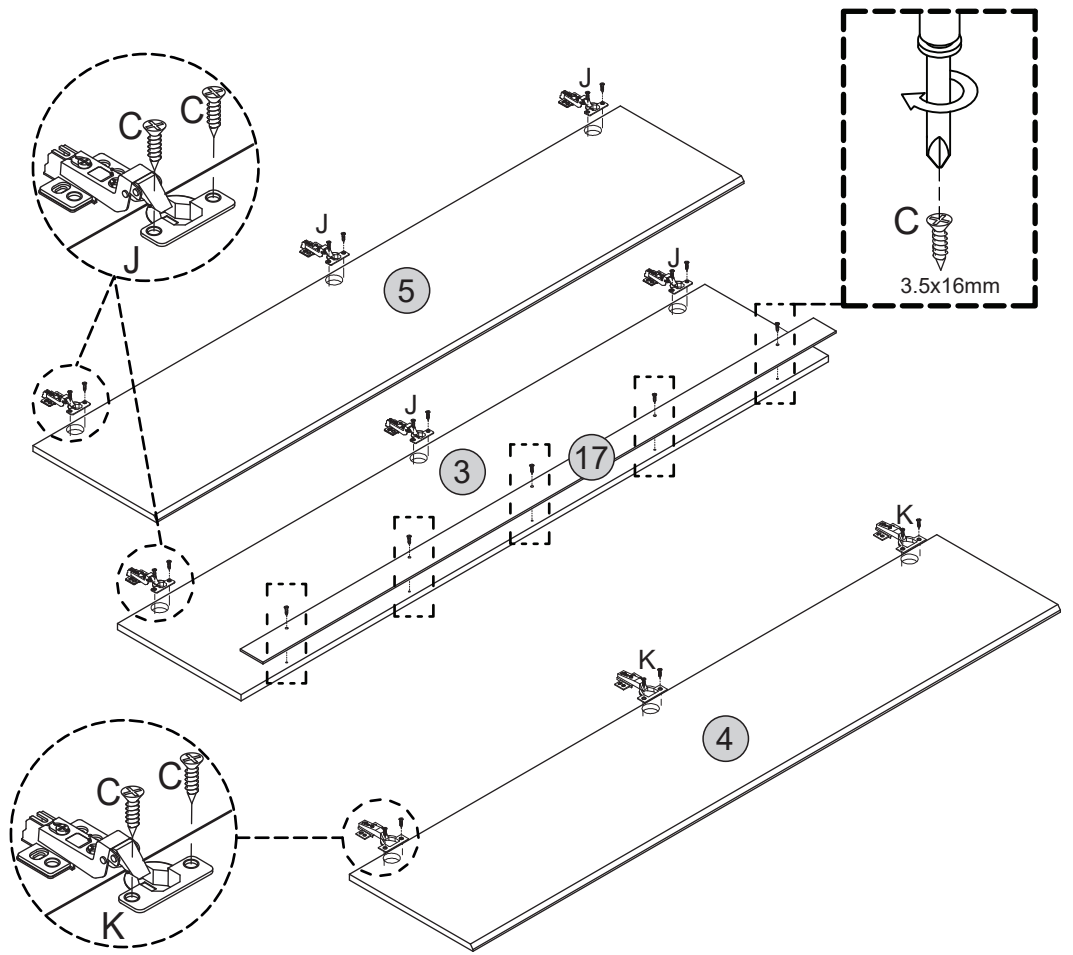
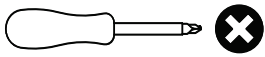
HARDWARE REQUIRED

C  23
3.5x16mm

J  06

K  03

TOOLS REQUIRED



STEP 6

PARTS REQUIRED

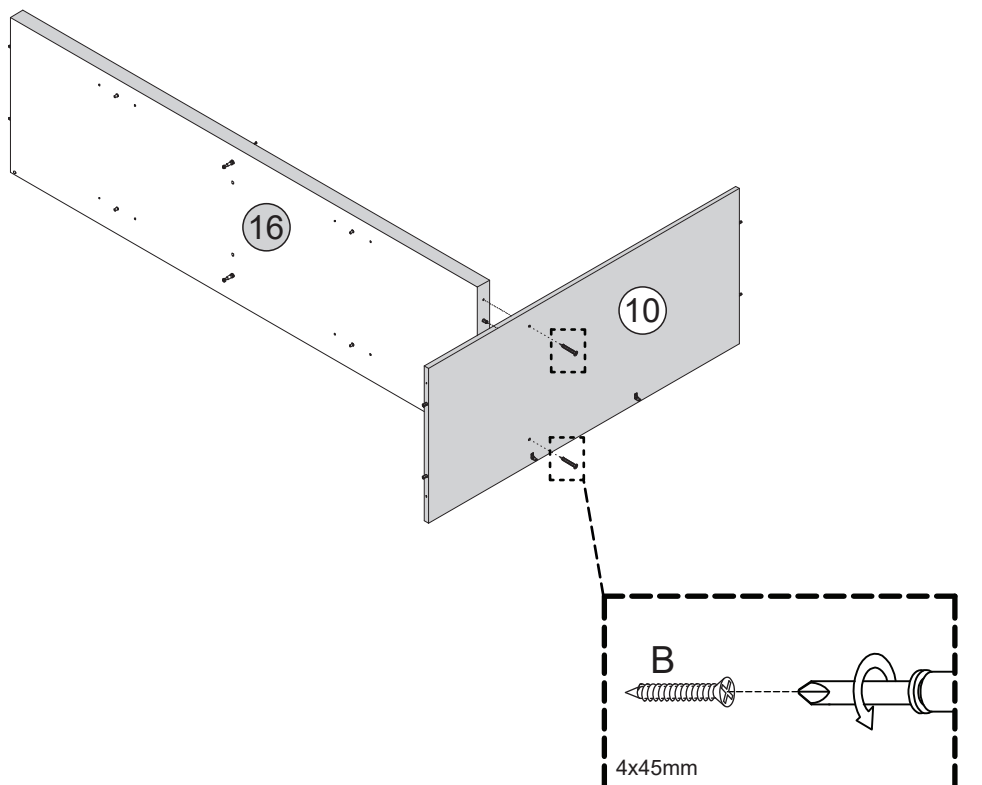
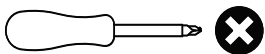
10 - BOTTOM PANEL x1

16 - CENTRE PANEL x1

HARDWARE REQUIRED

B  02
4x45mm

TOOLS REQUIRED



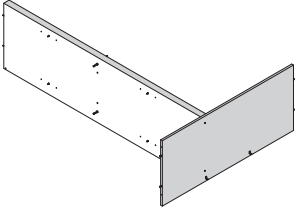
STEP 7

PARTS REQUIRED

1 - RIGHT SIDE PANEL x1


8 - SHELF PANEL x1

14 - SMALL SUPPORT PANEL x1

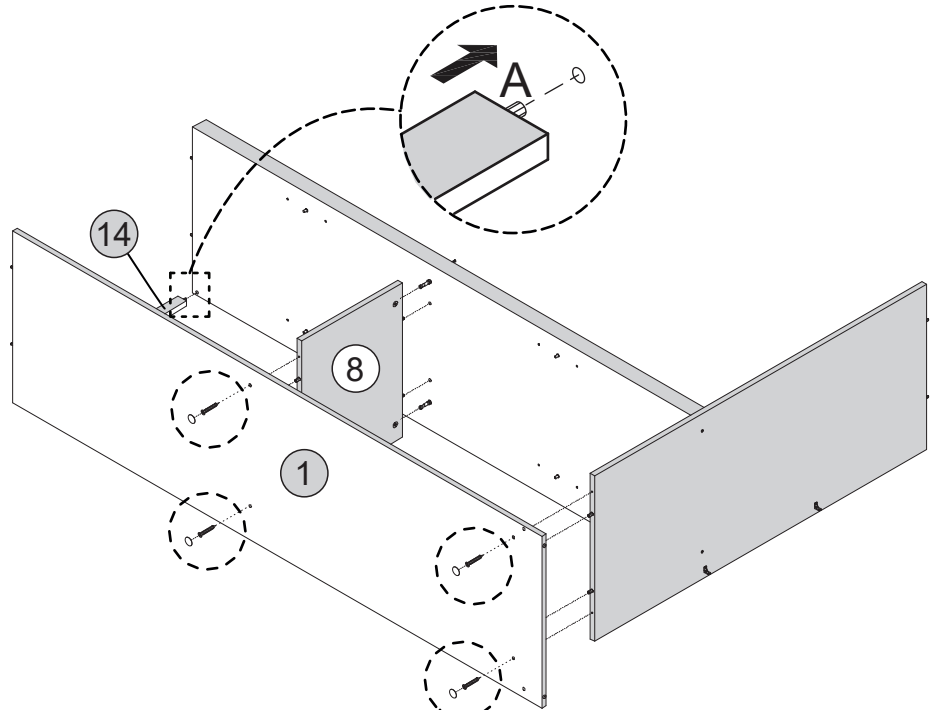
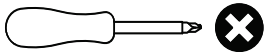


HARDWARE REQUIRED

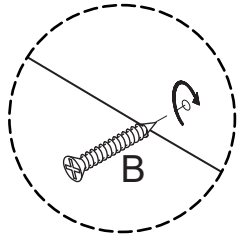
B  04

E  04

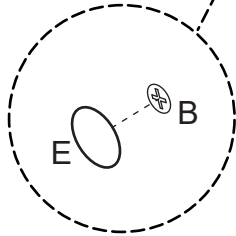
TOOLS REQUIRED



STEP 1



STEP 2



STEP 8

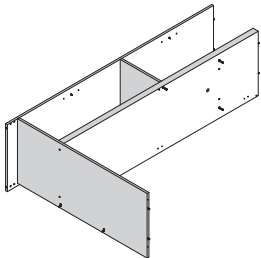
PARTS REQUIRED

6 - LARGE SHELF PANEL x1

11 - BACK SUPPORT PANEL x1

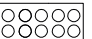
12 - FRONT CROSSBAR x1

13 - LARGE SUPPORT PANEL x1

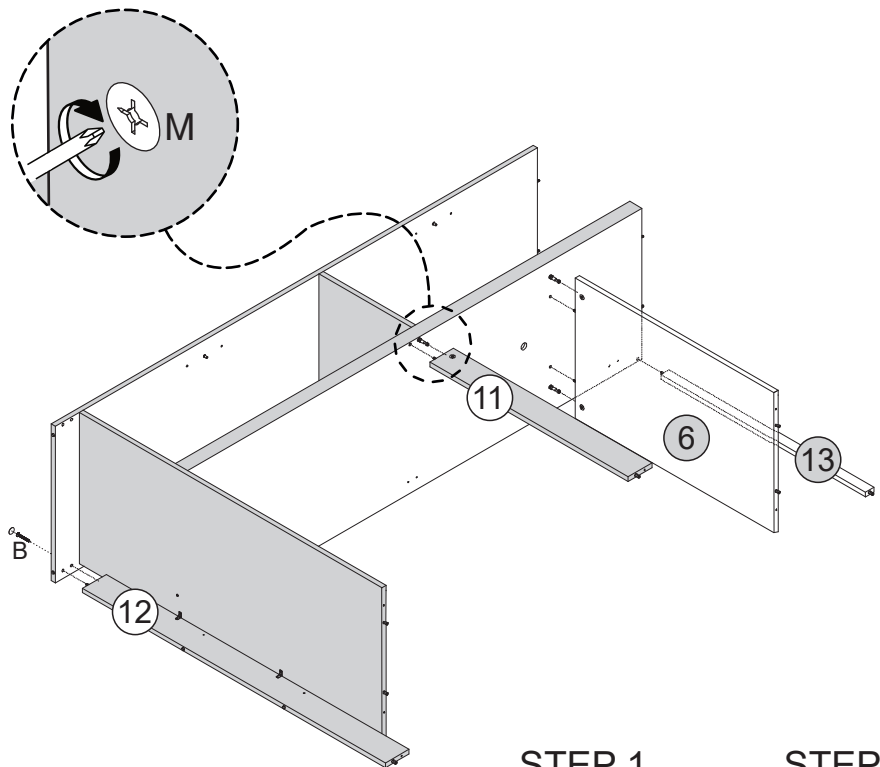
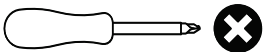


HARDWARE REQUIRED

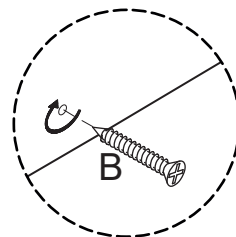
B  01

E  01

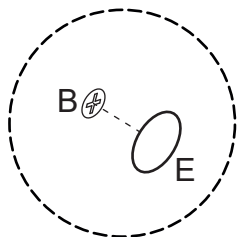
TOOLS REQUIRED



STEP 1



STEP 2

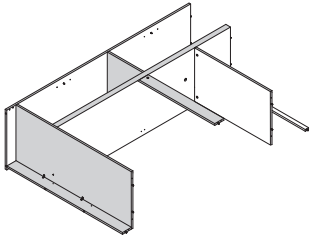


STEP 9

PARTS REQUIRED

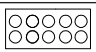
2 - LEFT SIDE PANEL x1

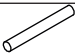
15 - BACK CROSSBAR x1



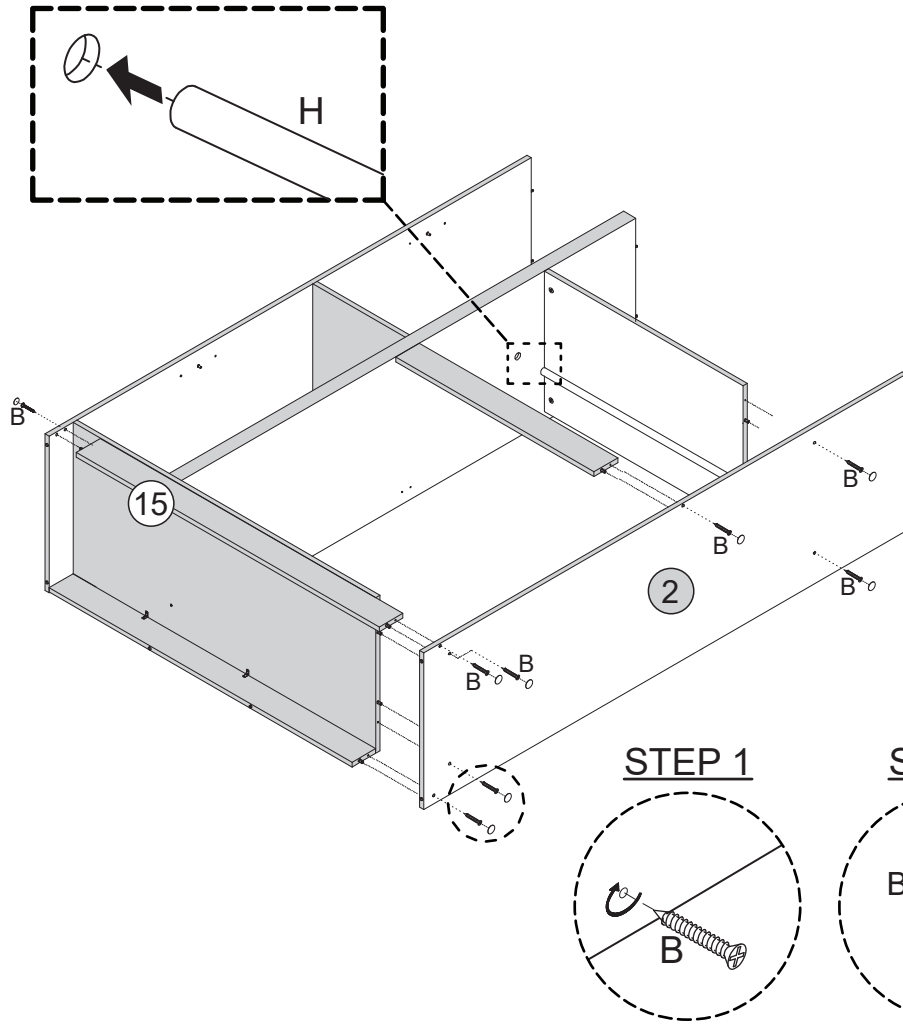
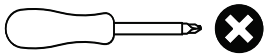
HARDWARE REQUIRED

B  4x45mm 08

E  08

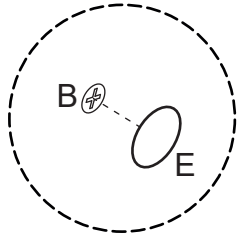
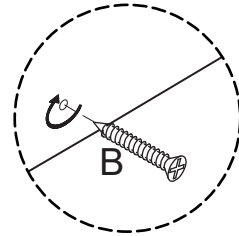
H  01

TOOLS REQUIRED



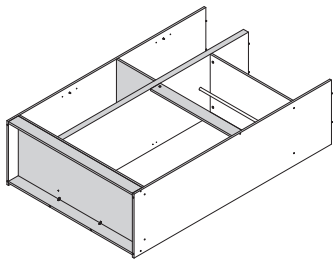
STEP 1

STEP 2



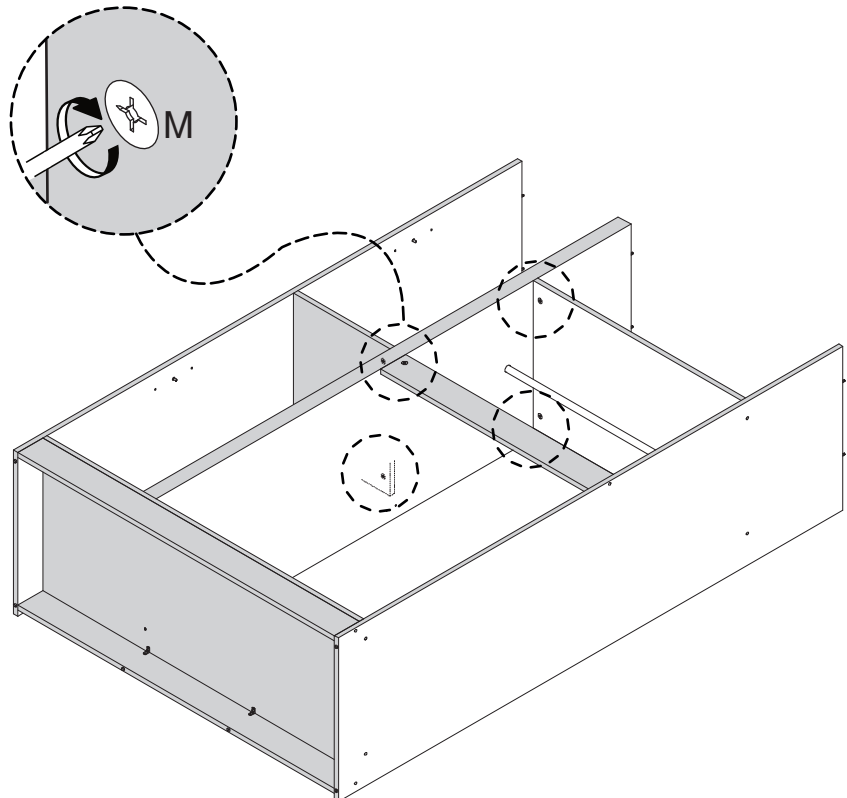
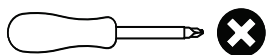
STEP 10

PARTS REQUIRED



HARDWARE REQUIRED

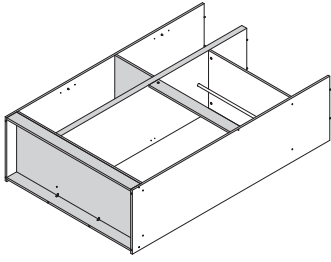
TOOLS REQUIRED



STEP 11

PARTS REQUIRED

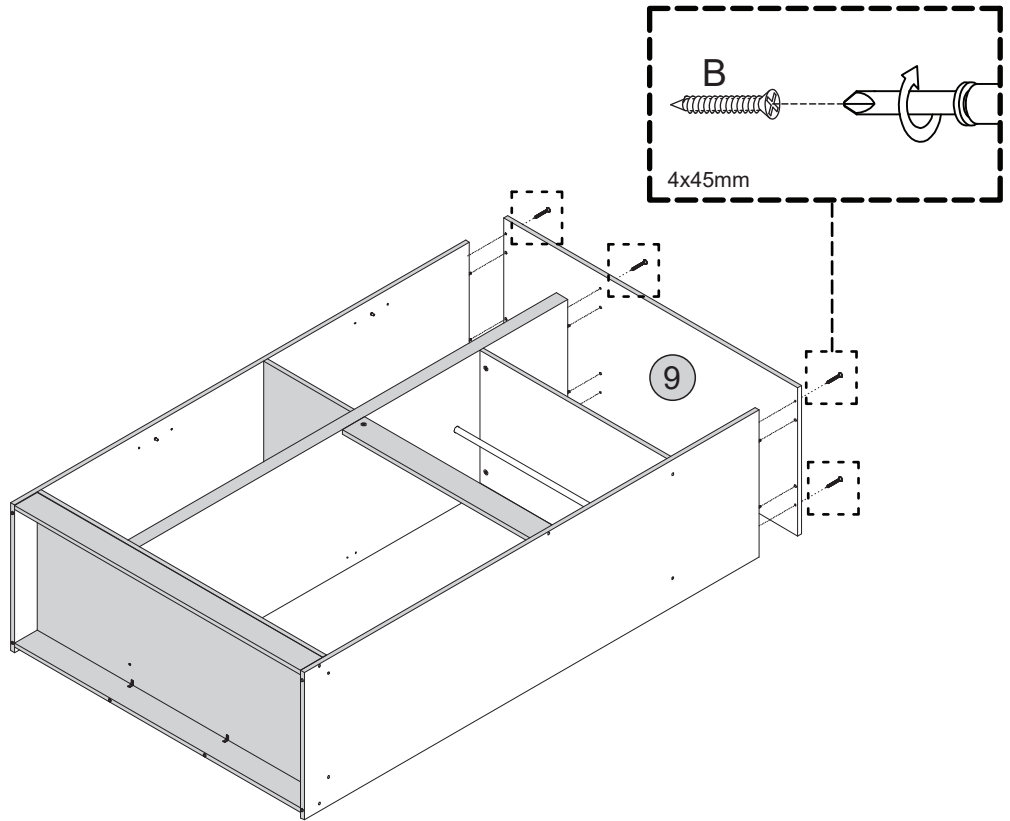
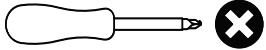
9 - TOP PANEL x1



HARDWARE REQUIRED

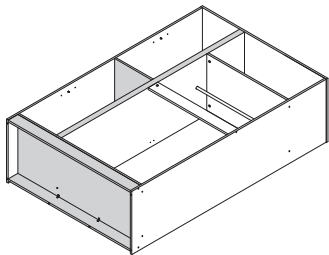
B  06

TOOLS REQUIRED




STEP 12

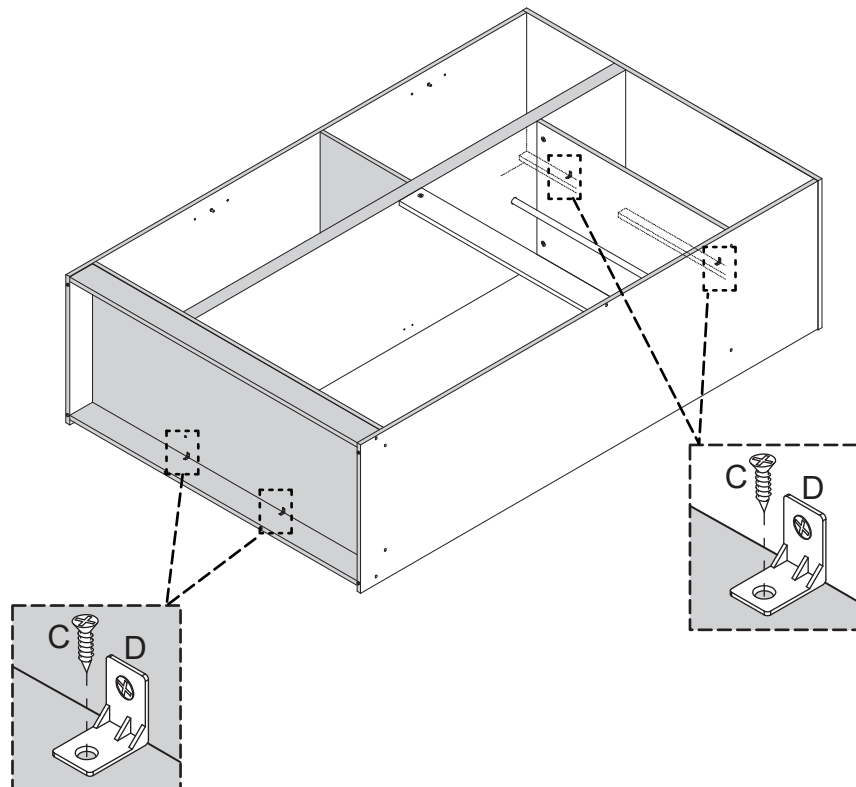
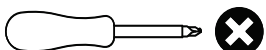
PARTS REQUIRED



HARDWARE REQUIRED

C  04

TOOLS REQUIRED

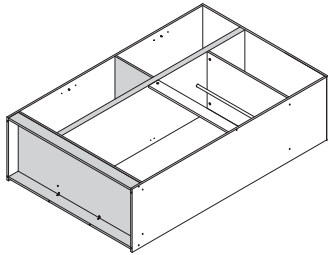


STEP 13

PARTS REQUIRED

18 - LARGE BACK PANEL x1

19 - SMALL BACK PANEL x1

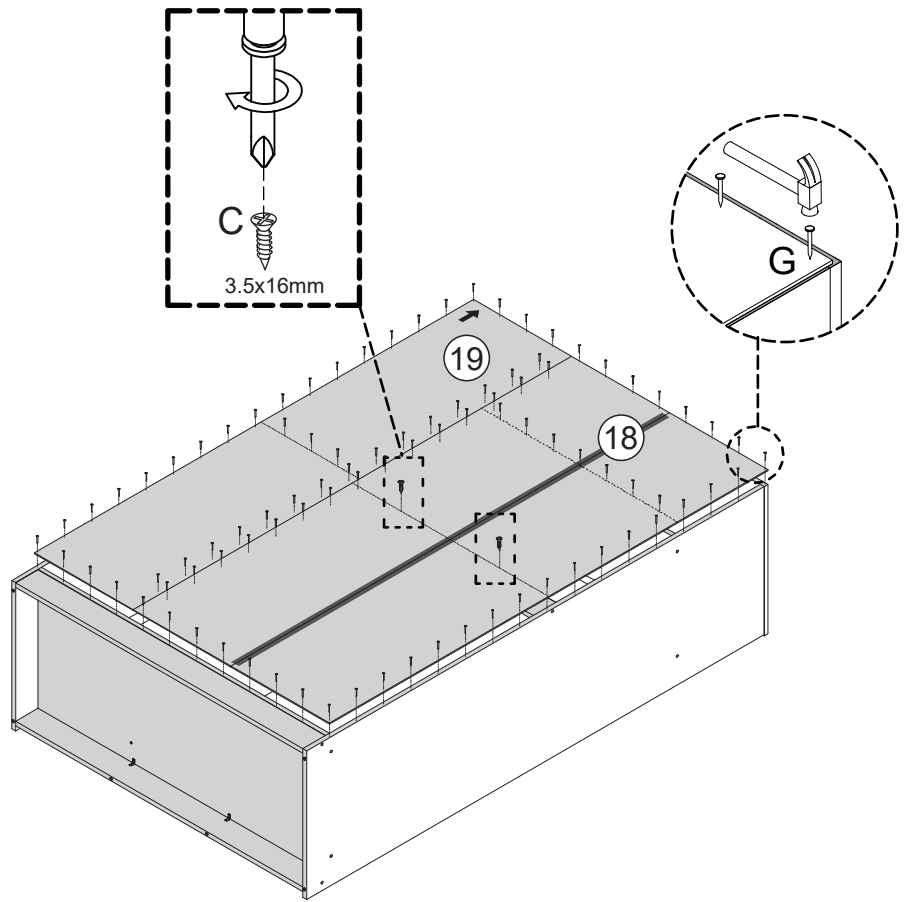
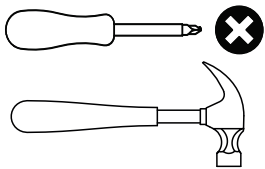


HARDWARE REQUIRED

C  02
3.5x16mm

G  94

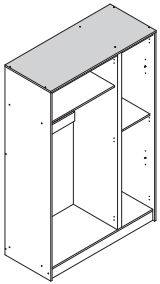
TOOLS REQUIRED



STEP 14

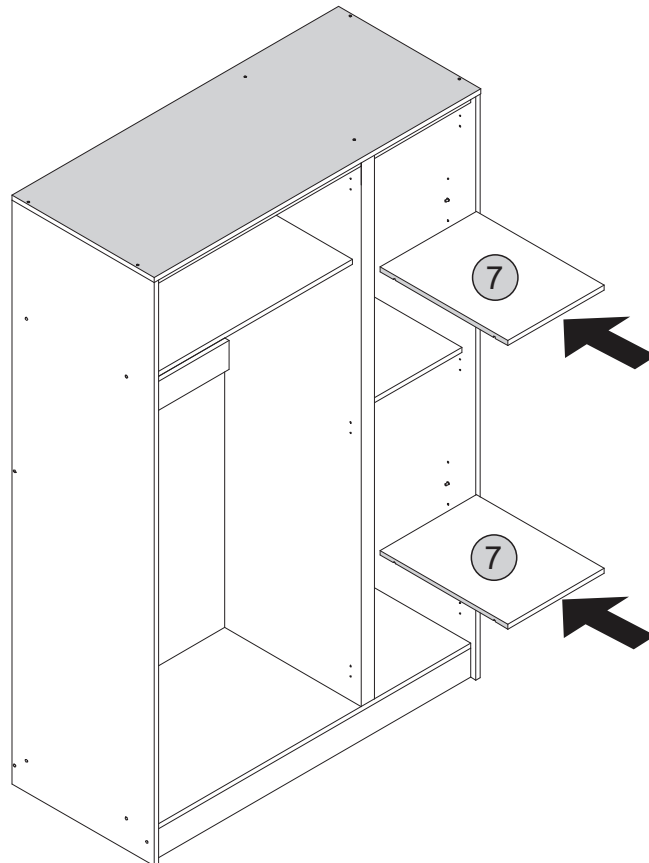
PARTS REQUIRED

7 - SMALL SHELF PANEL x2



HARDWARE REQUIRED

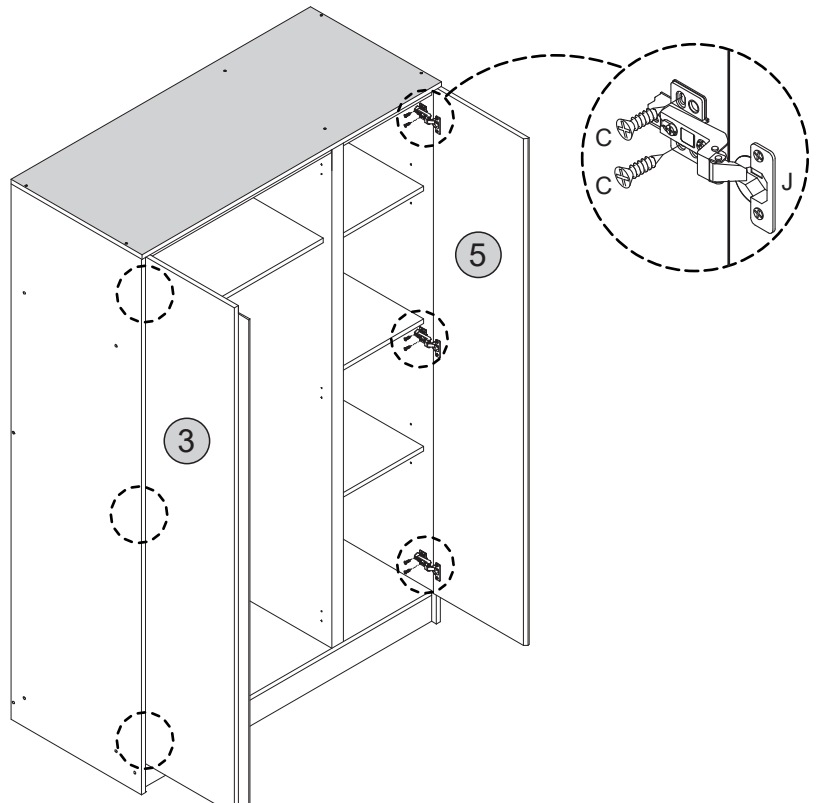
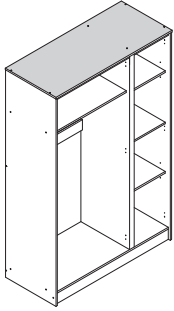
TOOLS REQUIRED



STEP 15

PARTS REQUIRED

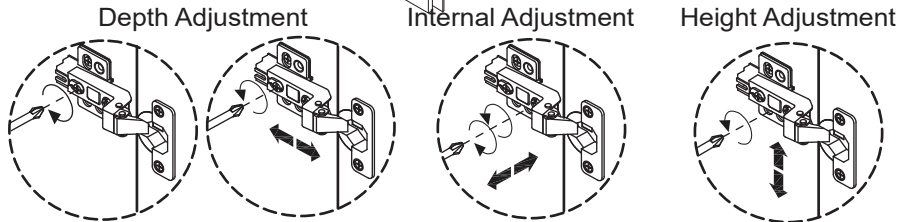
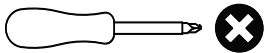
- 3 - LEFT DOOR x1
- 5 - RIGHT DOOR x1



HARDWARE REQUIRED

- C  12

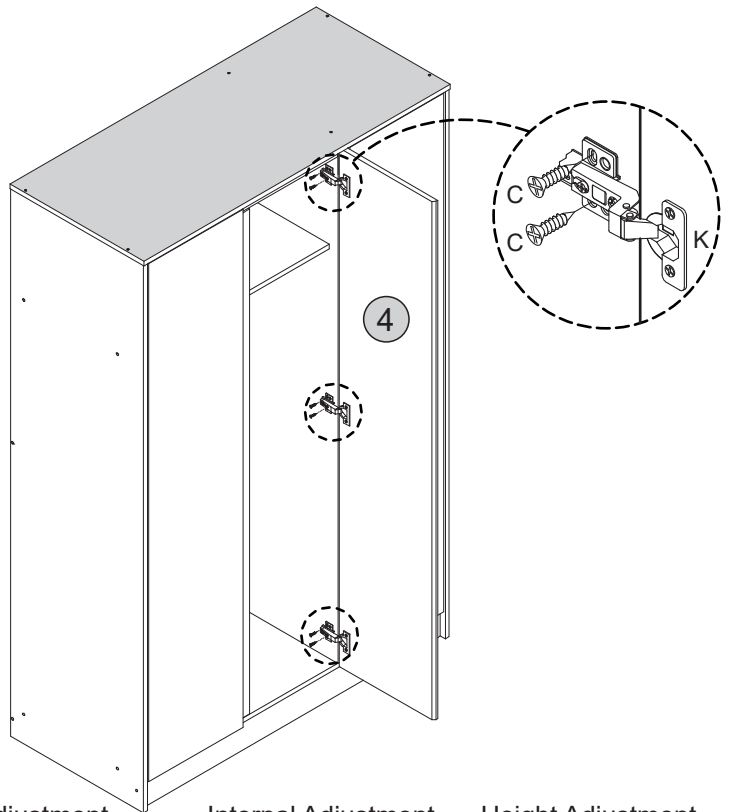
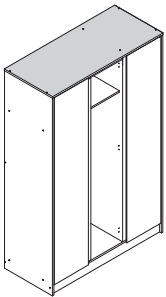
TOOLS REQUIRED



STEP 16

PARTS REQUIRED

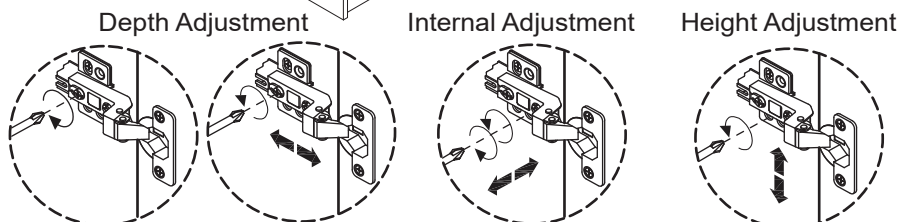
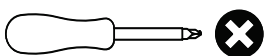
- 4 - CENTRE DOOR x1



HARDWARE REQUIRED

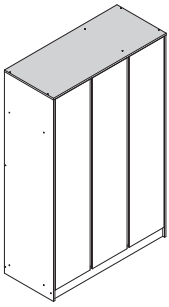
- C  06

TOOLS REQUIRED



STEP 17

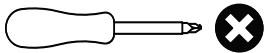
PARTS REQUIRED



HARDWARE REQUIRED



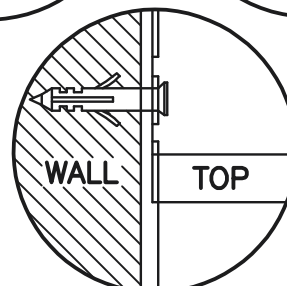
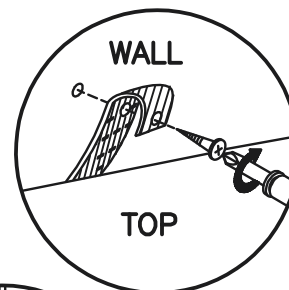
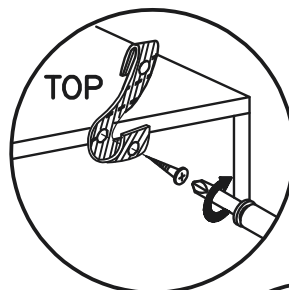
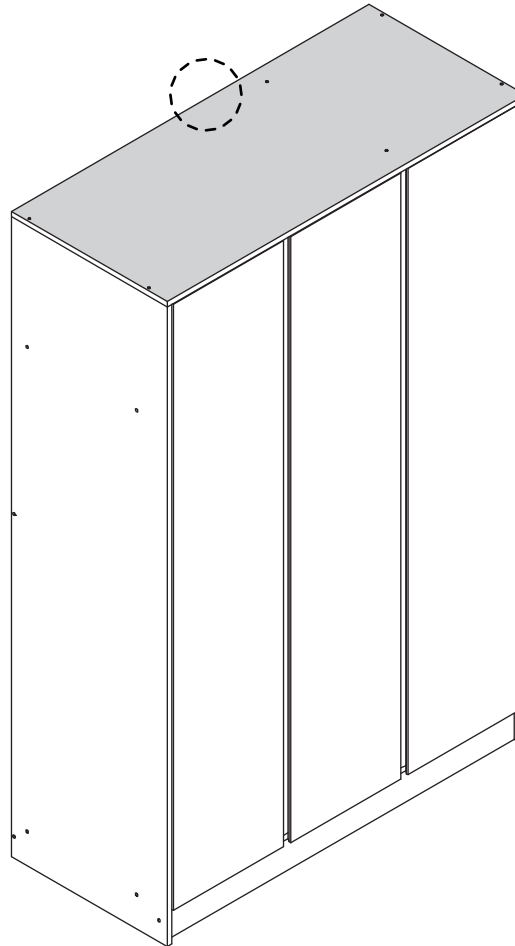
TOOLS REQUIRED



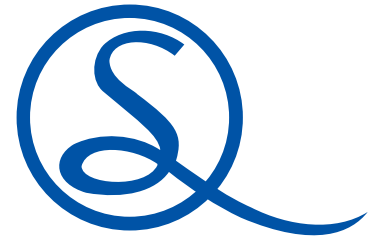
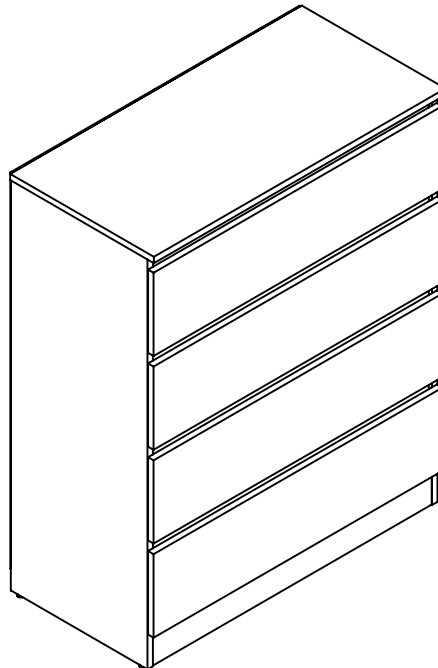
WARNING

Serious or fatal injuries can occur from furniture tipping over. To prevent the furniture from tipping over we recommend that it is permanently fixed to the wall.

Wall fixings are not supplied with this product as different wall materials require different types of fixing devices. Please make sure you use fixings suitable for the walls in your home.



GREY MALVERN 4 DRAWER CHEST ASSEMBLY INSTRUCTIONS



FOR DOMESTIC USE ONLY

IMPORTANT

PLEASE READ BEFORE YOU CONTINUE FURTHER

THE PRODUCT YOU HAVE PURCHASED WILL GIVE YOU MANY YEARS OF SERVICE IF YOU FOLLOW THE GUIDELINES FOR ITS SAFE ASSEMBLY AND PERIODIC MAINTENANCE AND CLEANING.

ASSEMBLE ON A SOFT CLEAN SURFACE.

DO NOT USE ANY TOOLS OTHER THAN THOSE SHOWN.

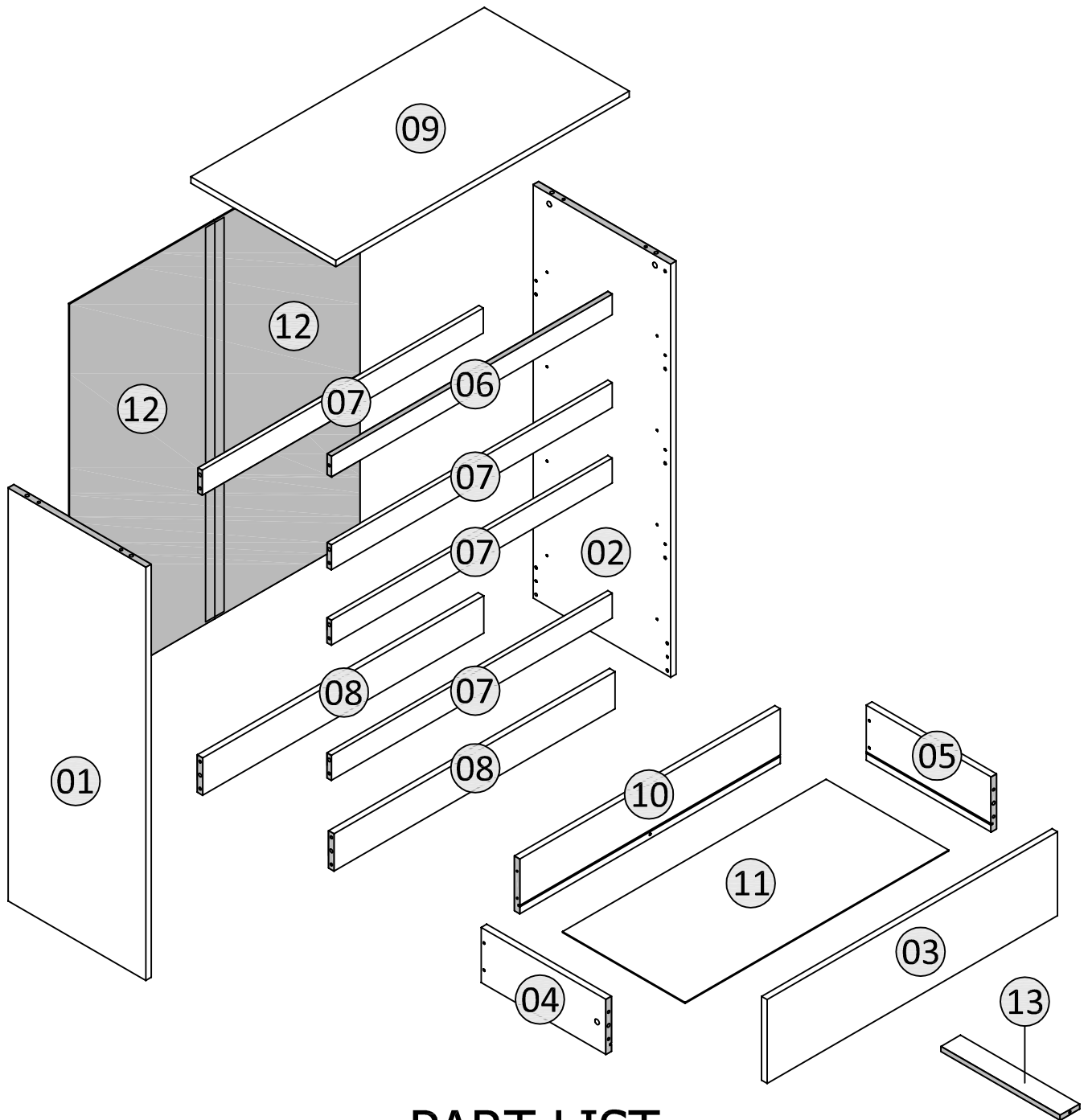
ANY SPANNERS OR ALLEN KEYS REQUIRED ARE INCLUDED WITH THE FITTING KIT.

DO NOT FOR ANY REASON USE A POWER TOOL TO ASSEMBLE THIS PRODUCT. ITS USE WILL INVALIDATE ANY CLAIM YOU MAY HAVE AND COULD MAKE THIS PRODUCT UNSAFE.

DEPENDING ON THE AMOUNT OF USE THIS PRODUCT RECEIVES. IT MAY BE NECESSARY TO TIGHTEN UP THE FIXINGS FROM TIME TO TIME. THIS IS COMPLETELY NORMAL FOR ANY FLAT PACK FURNITURE. DO NOT OVERTIGHTEN FIXINGS.

FOR CLEANING, YOU MAY USE A DAMP CLOTH (NOT WET). DO NOT USE POLISH, DETERGENT OR CHEMICAL CLEANERS.




THIS SURFACE OF THIS ITEM IS NOT HEAT RESISTANT. ALWAYS USE A PLACE MAT UNDER HOT OR COLD ITEMS TO PREVENT MARKING.



PART LIST

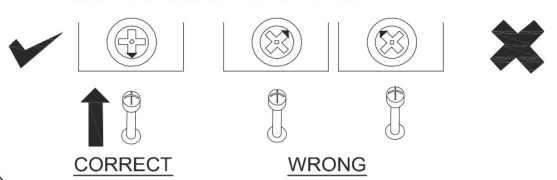
Part Number	Part Code	Part Description	Quantity	Carton
01	S100-102-133-TA1-01	Left Panel	1	1/2
02	S100-102-133-TA1-02	Right Panel	1	1/2
03	S100-102-133-TA1-03	Drawer Front	4	1/2
04	S100-102-133-TA1-04	Drawer Left Panel	4	2/2
05	S100-102-133-TA1-05	Drawer Right Panel	4	2/2
06	S100-102-133-TA1-06	Top Support Panel	1	2/2
07	S100-102-133-TA1-07	Centre Support Panel	4	2/2
08	S100-102-133-TA1-08	Bottom Support Panel	2	2/2
09	S100-102-133-TA1-09	Top Panel	1	1/2
10	S100-102-133-TA1-10	Drawer Back Panel	4	2/2
11	S100-102-133-TA1-11	Drawer Bottom Panel	4	2/2
12	S100-102-133-TA1-12	Back Panel	2	1/2
13	S100-102-133-TA1-13	Drawer Support Panel	4	1/2

HARDWARE LIST

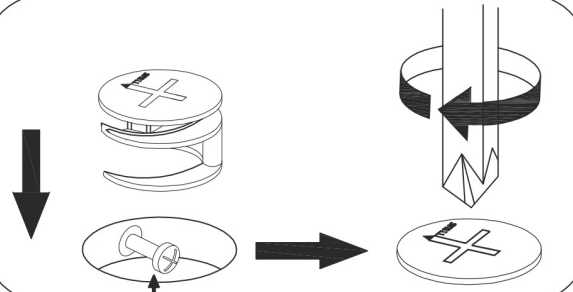
No.	Part Name		Qty
A	5575 Cam Nut		24
B	Cam Bolt		24
C	M6 x 30mm Wood Dowel		42
D	38mm Chipboard Screw		20
E	14mm Chipboard Screw		44
F	14" Drawer Slide		4 sets
G	PVC L Bracket		1
H	Table Pin		4
J	Steel Nail		45
K	Safety Pack (4 x 20mm x 1)		1

TIPS FOR FITTING CAM-LOCKS

WHEN FITTING THE CAM-LOCK
ENSURE STARTING POSITION IS CORRECT
BEFORE YOU INSERT CONNECTING CAM BOLT
TURN CLOCKWISE UNTIL SECURE



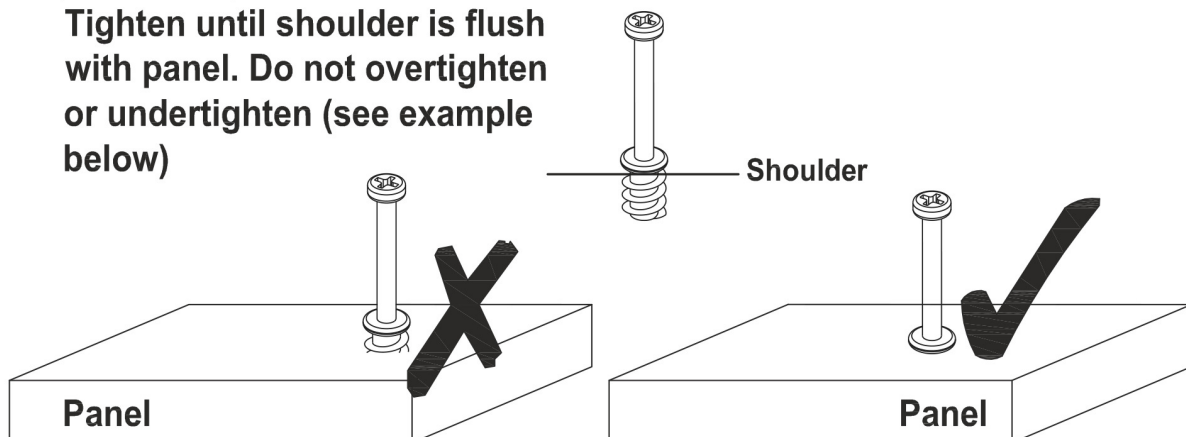
CORRECT **WRONG**



Cam bolt head needs to be in centre

CAMBOLT

Tighten until shoulder is flush with panel. Do not overtighten or undertighten (see example below)



Shoulder

Panel

Panel

STEP 1

PARTS REQUIRED

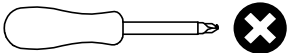
01- LEFT PANEL x1

HARDWARE REQUIRED

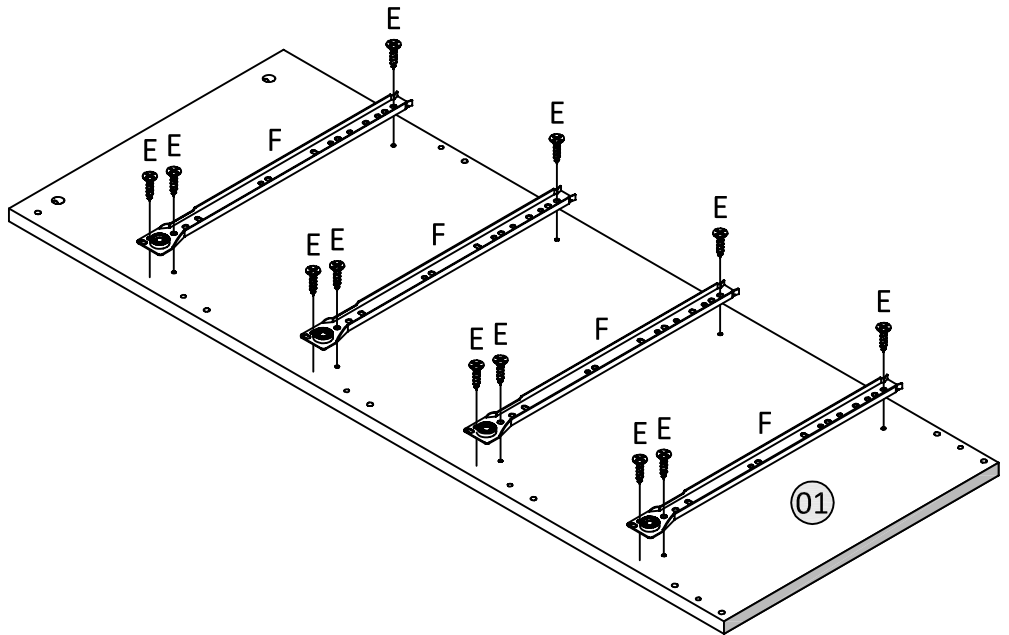
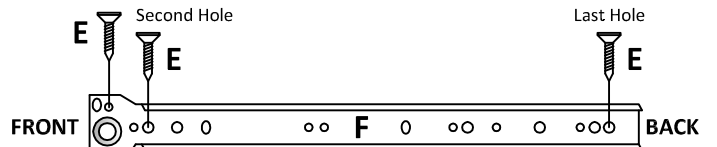
E  12

F  04

TOOLS REQUIRED



To Assembly the Drawer Slide, Please Follow Step as Below




STEP 2

PARTS REQUIRED

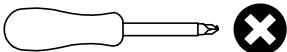
02- RIGHT PANEL x1

HARDWARE REQUIRED

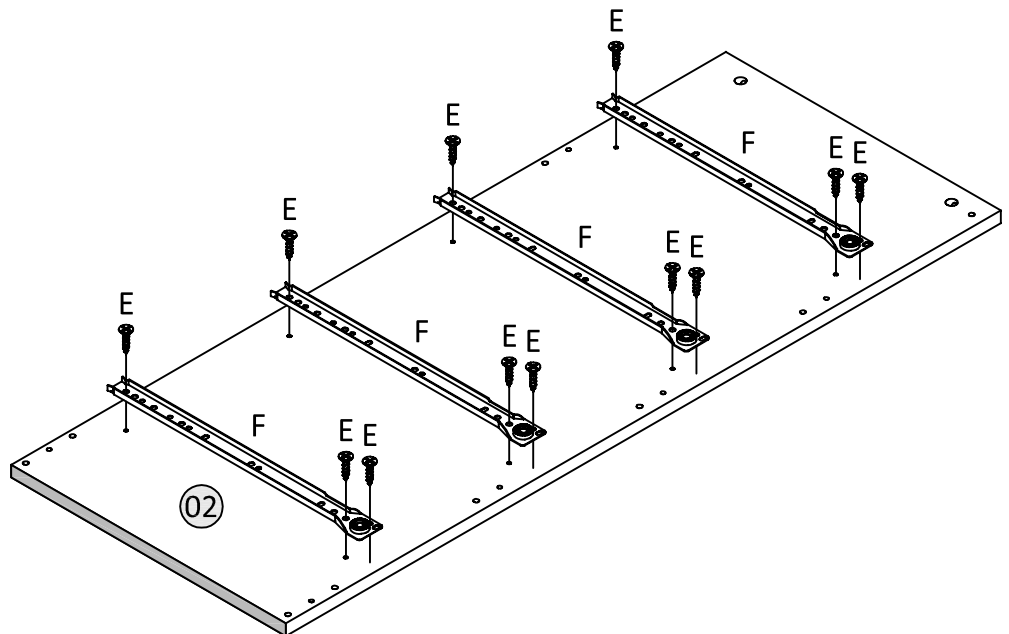
E  12

F  04

TOOLS REQUIRED



To Assembly the Drawer Slide, Please Follow Step as Below



STEP 3

PARTS REQUIRED


01- LEFT PANEL x1

02- RIGHT PANEL x1

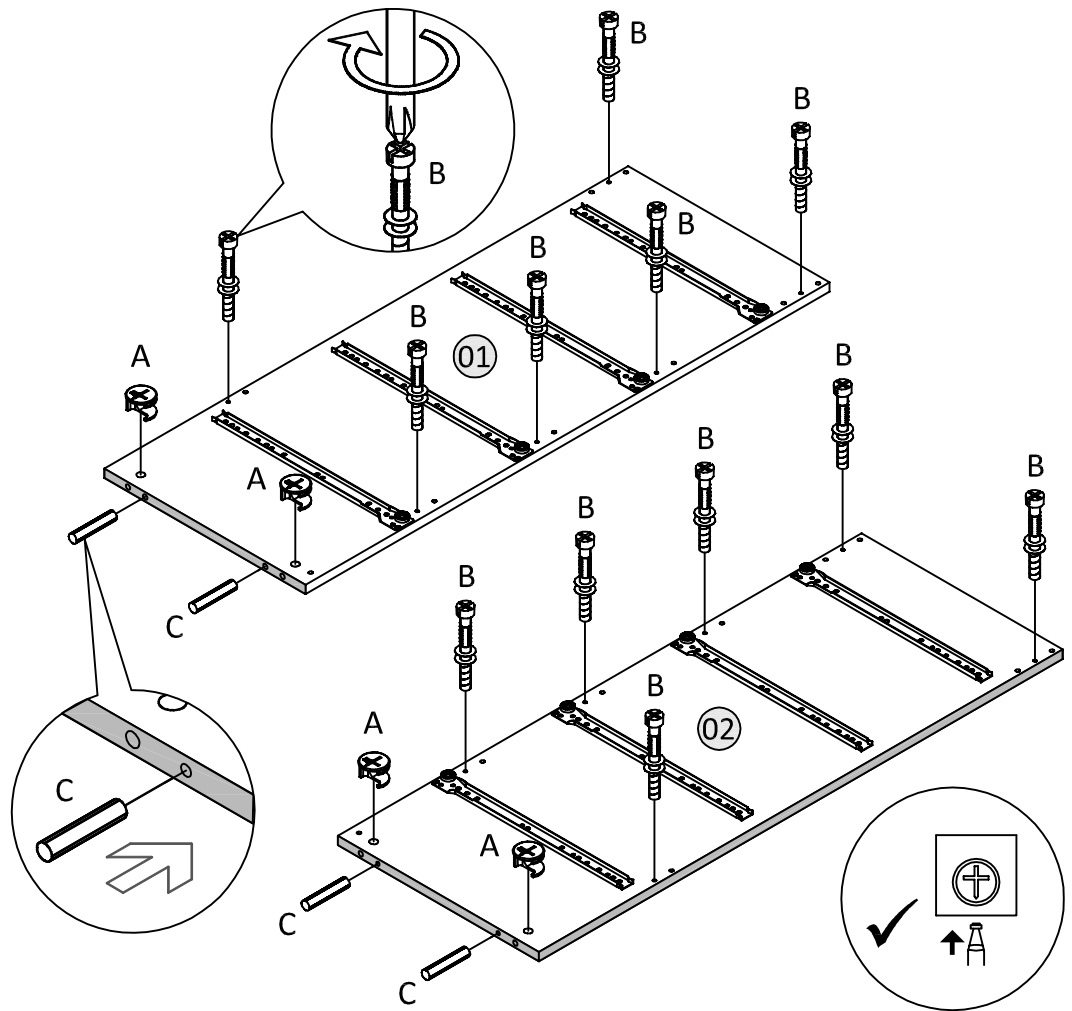
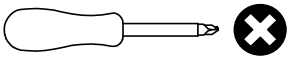
HARDWARE REQUIRED

A  04

B  12

C  04

TOOLS REQUIRED



STEP 4

PARTS REQUIRED

06- TOP SUPPORT PANEL x1

07- CENTRE SUPPORT PANEL x4


08- BOTTOM SUPPORT PANEL x2

09- TOP PANEL x1

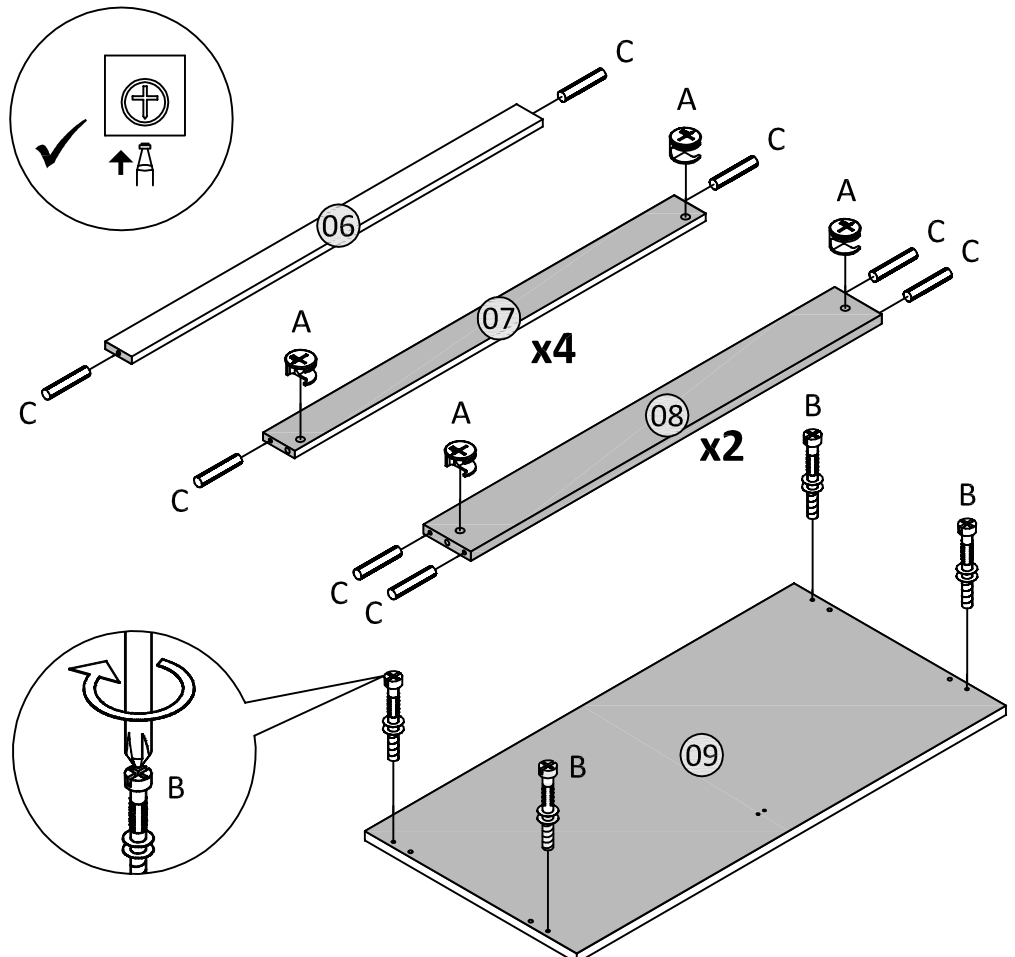
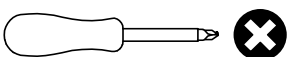
HARDWARE REQUIRED

A  12

B  04

C  18

TOOLS REQUIRED



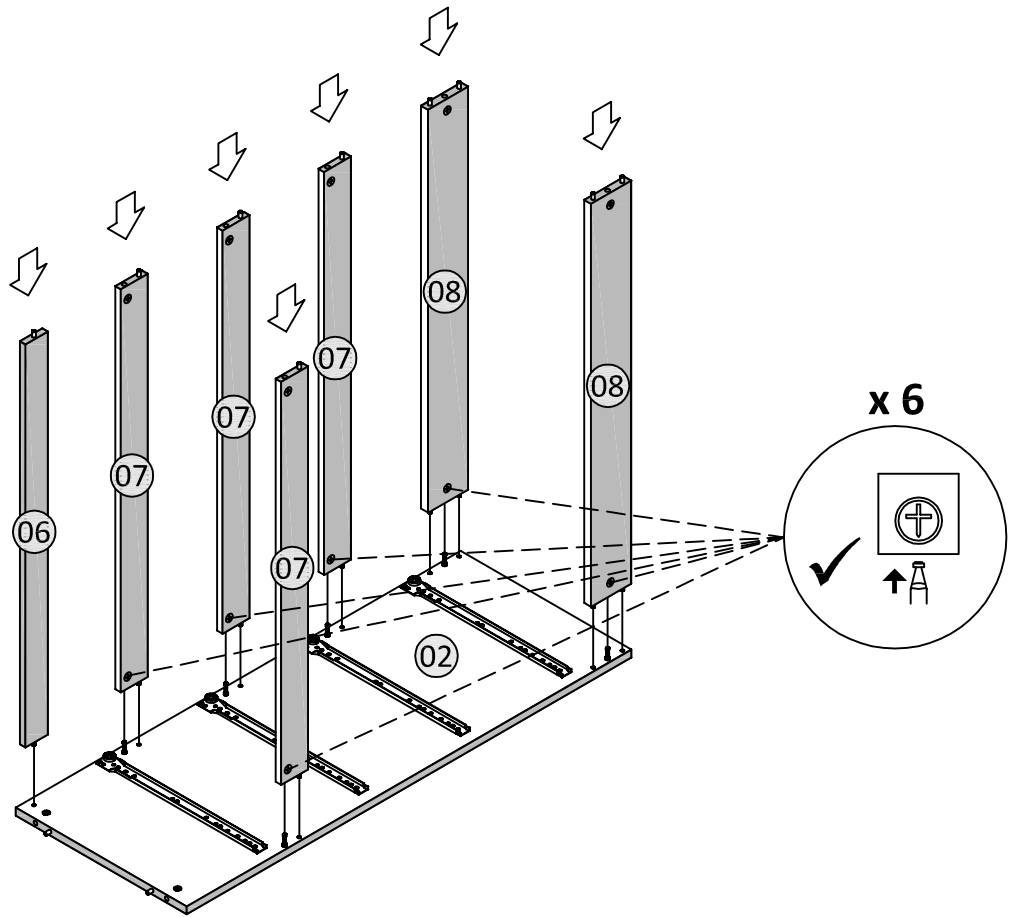
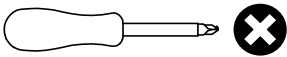
STEP 5

PARTS REQUIRED

02- RIGHT PANEL	x1
06- TOP SUPPORT PANEL	x1
07- CENTRE SUPPORT PANEL	x4
08- BOTTOM SUPPORT PANEL	x2

HARDWARE REQUIRED

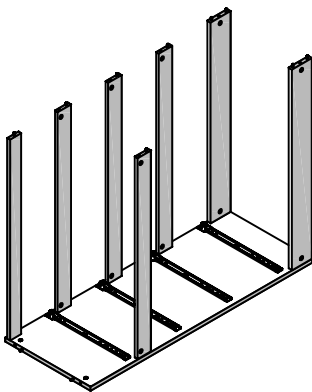
TOOLS REQUIRED



STEP 6

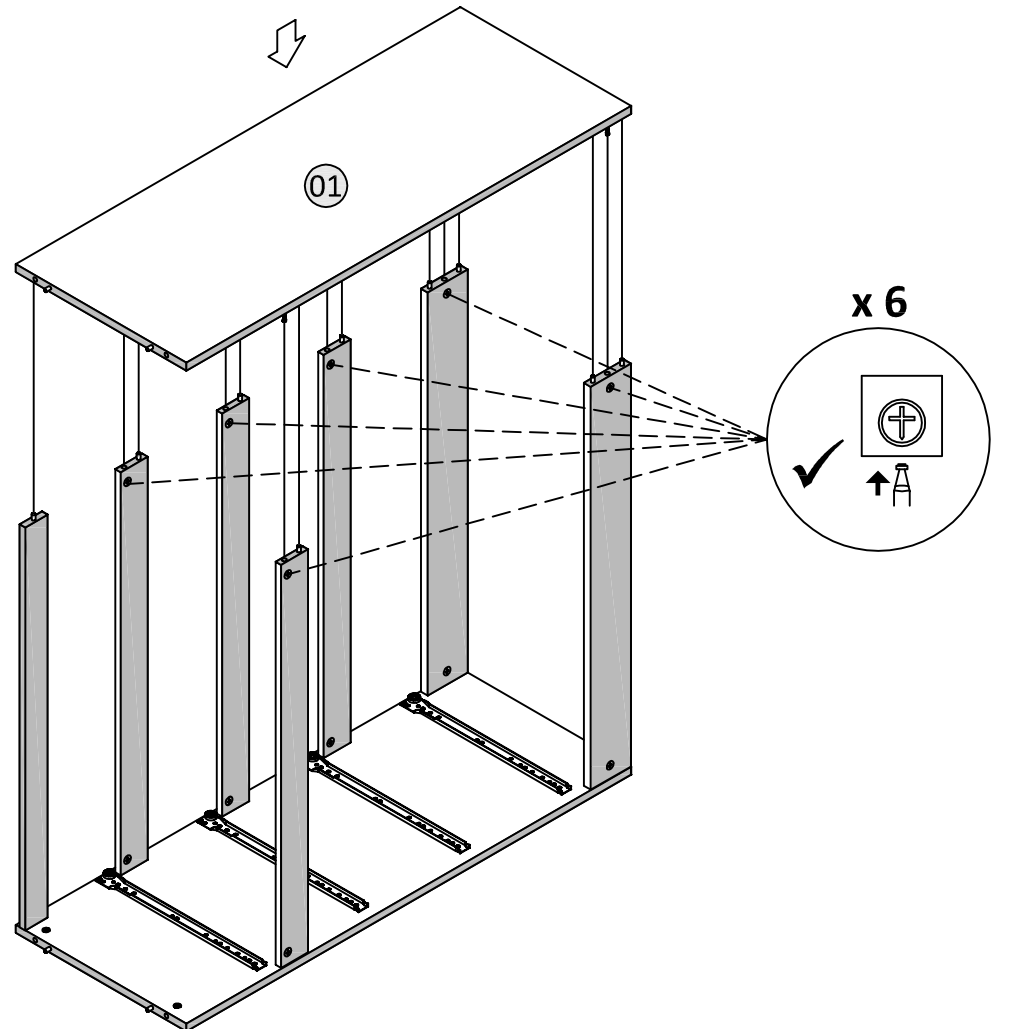
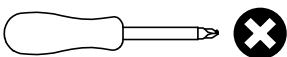
PARTS REQUIRED

01- LEFT PANEL	x1
----------------	----



HARDWARE REQUIRED

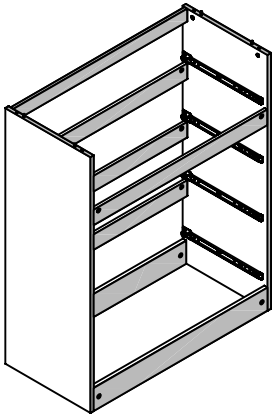
TOOLS REQUIRED



STEP 7

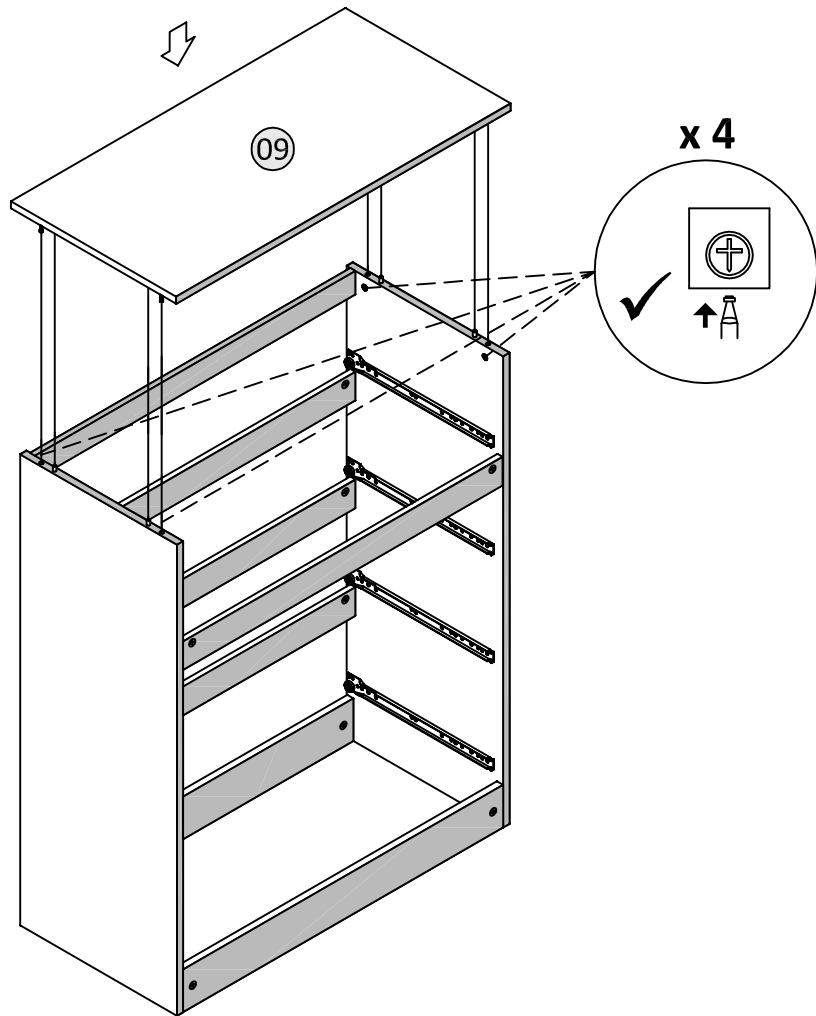
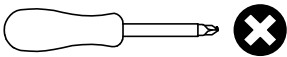
PARTS REQUIRED

09- TOP PANEL x1



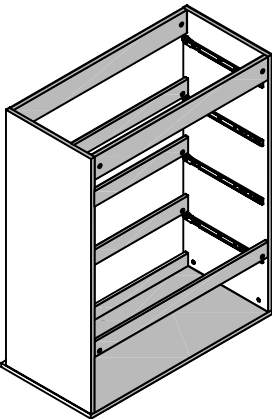
HARDWARE REQUIRED

TOOLS REQUIRED



STEP 8

PARTS REQUIRED

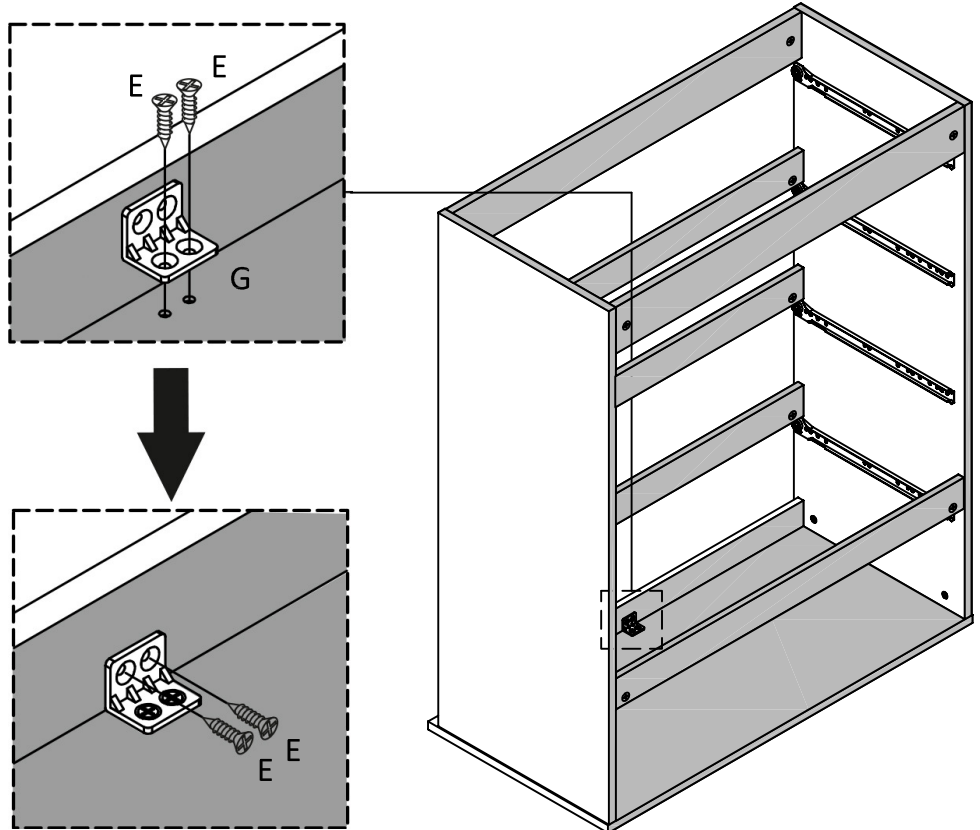
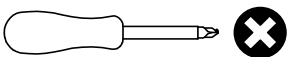


HARDWARE REQUIRED

E  04

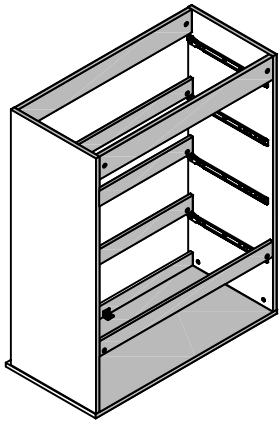
G  01

TOOLS REQUIRED

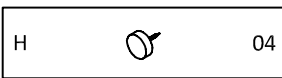


STEP 9

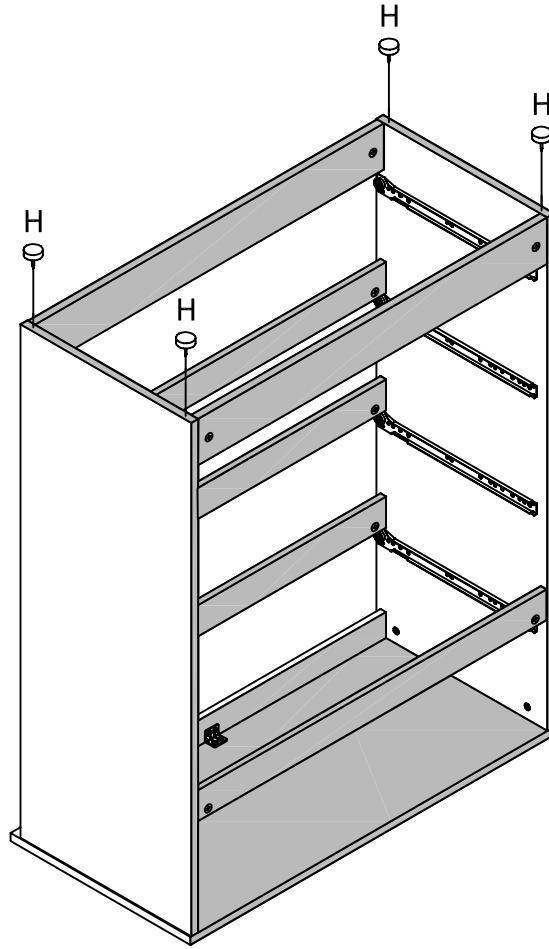
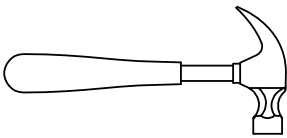
PARTS REQUIRED



HARDWARE REQUIRED

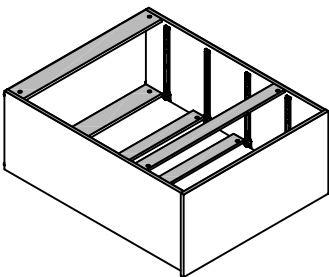
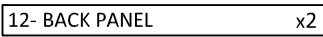


TOOLS REQUIRED

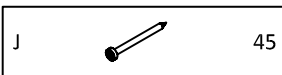


STEP 10

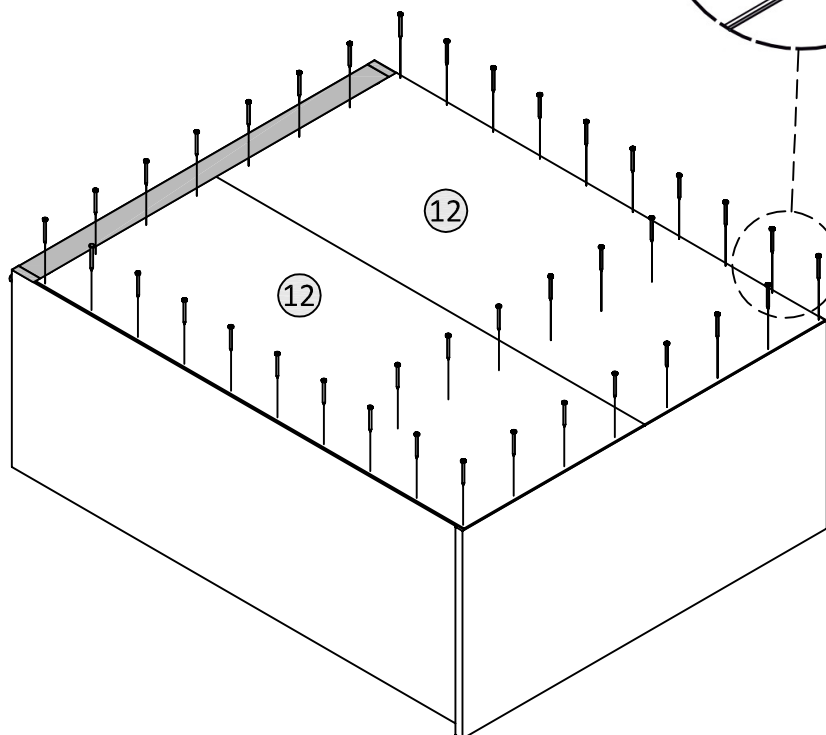
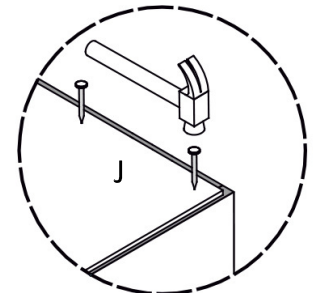
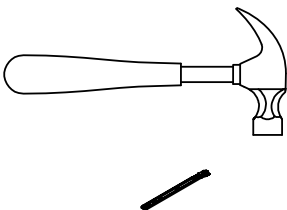
PARTS REQUIRED



HARDWARE REQUIRED



TOOLS REQUIRED






STEP 11

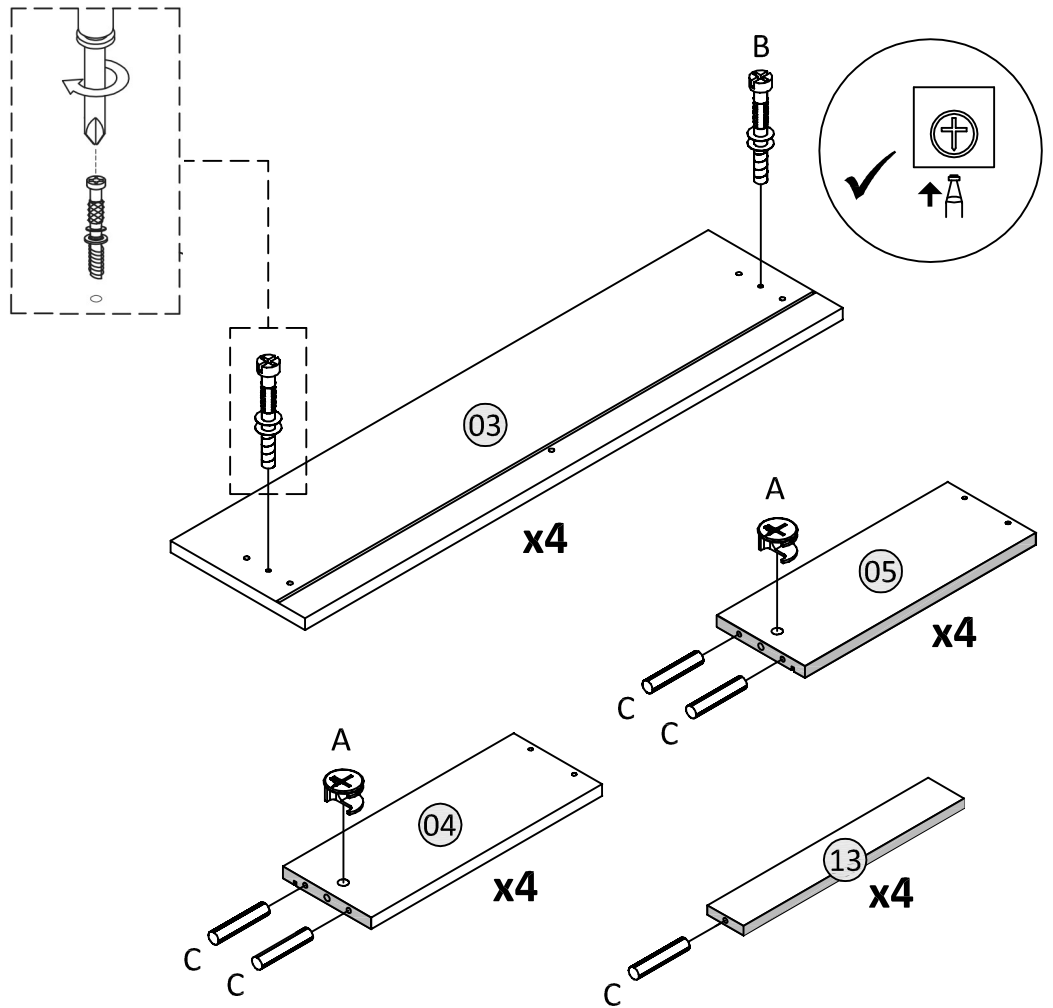
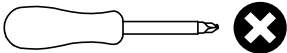
PARTS REQUIRED

03- DRAWER FRONT	x4
04- DRAWER LEFT PANEL	x4
05- DRAWER RIGHT PANEL	x4
13- DRAWER SUPPORT PANEL	x4

HARDWARE REQUIRED

A		08
B		08
C		20

TOOLS REQUIRED




STEP 12

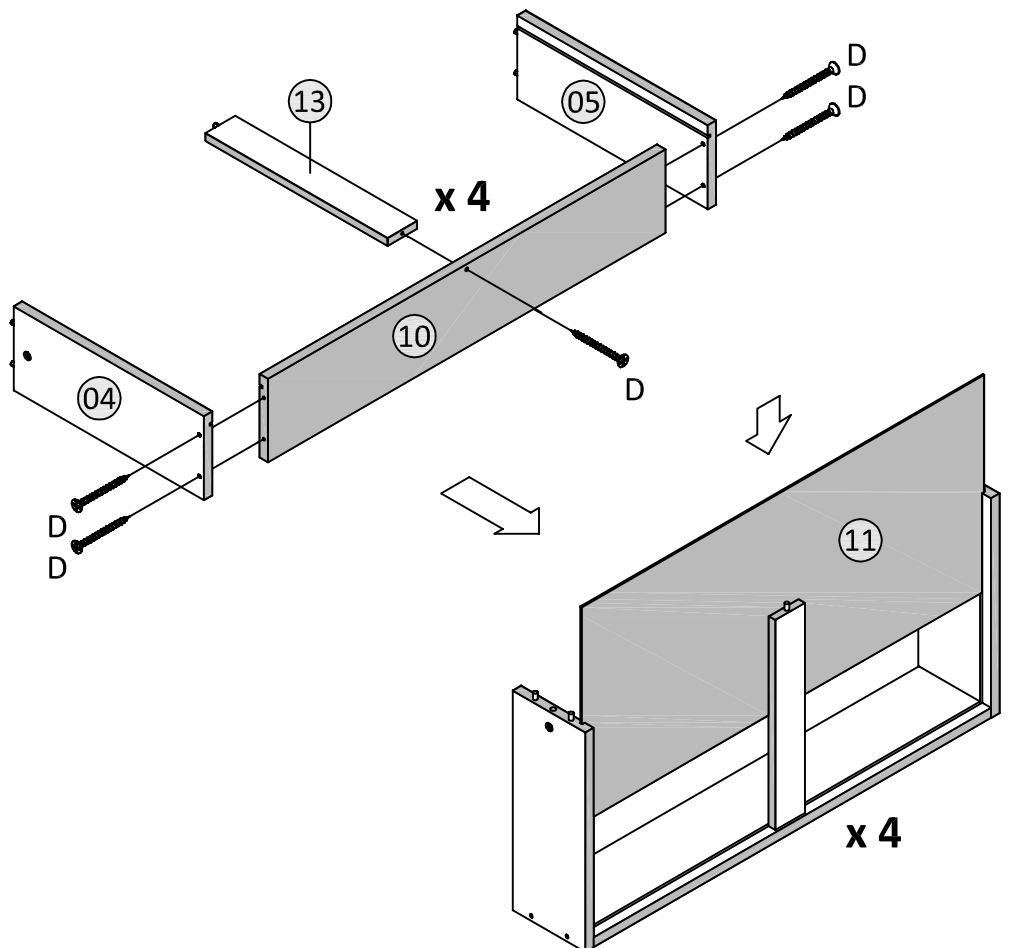
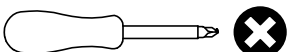
PARTS REQUIRED

04- DRAWER LEFT PANEL	x4
05- DRAWER RIGHT PANEL	x4
10- DRAWER BACK PANEL	x4
11- DRAWER BOTTOM PANEL	x4
13- DRAWER SUPPORT PANEL	x4

HARDWARE REQUIRED

D		20
---	---	----

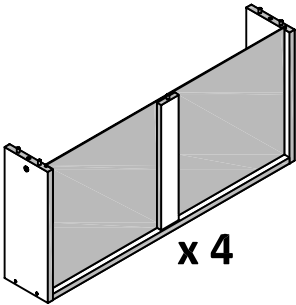
TOOLS REQUIRED



STEP 13


PARTS REQUIRED

03- DRAWER FRONT x4

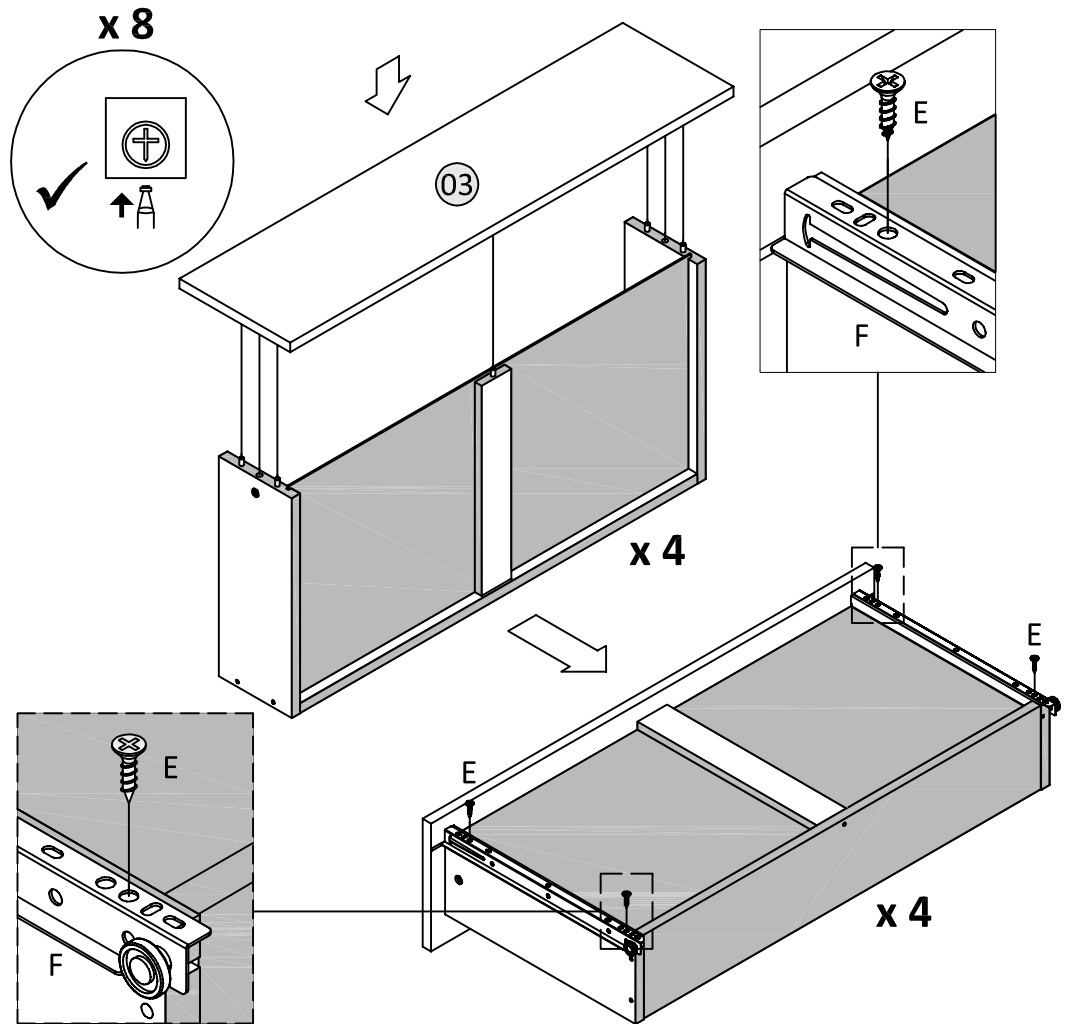
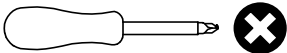


HARDWARE REQUIRED

E  16

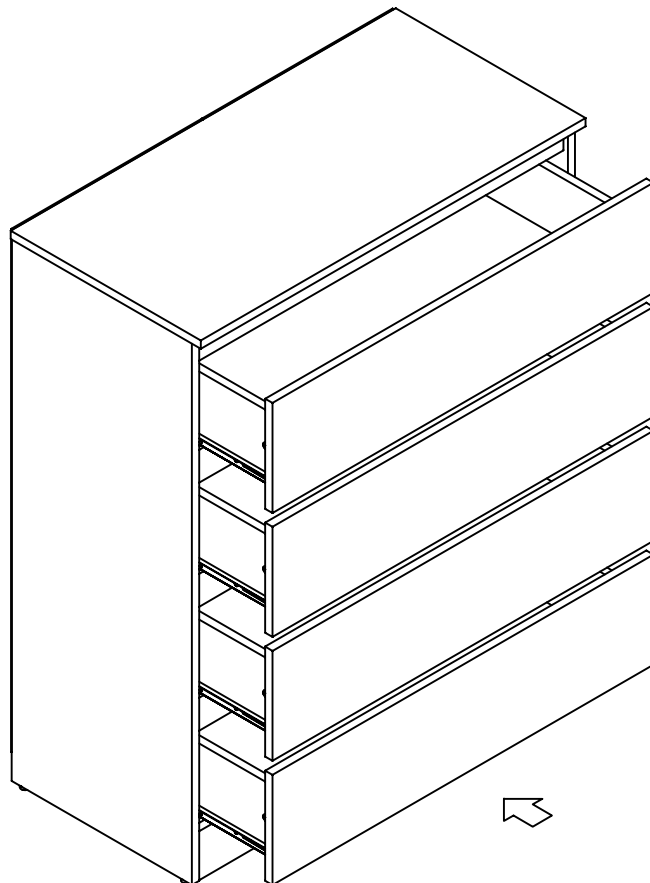
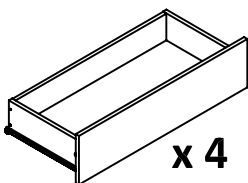
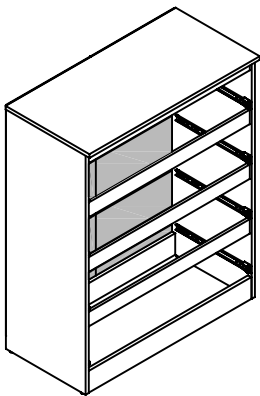
F  04

TOOLS REQUIRED



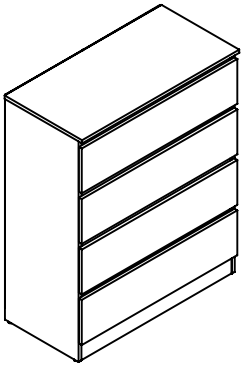
STEP 14

PARTS REQUIRED

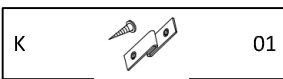


STEP 15

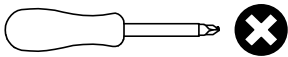
PARTS REQUIRED



HARDWARE REQUIRED



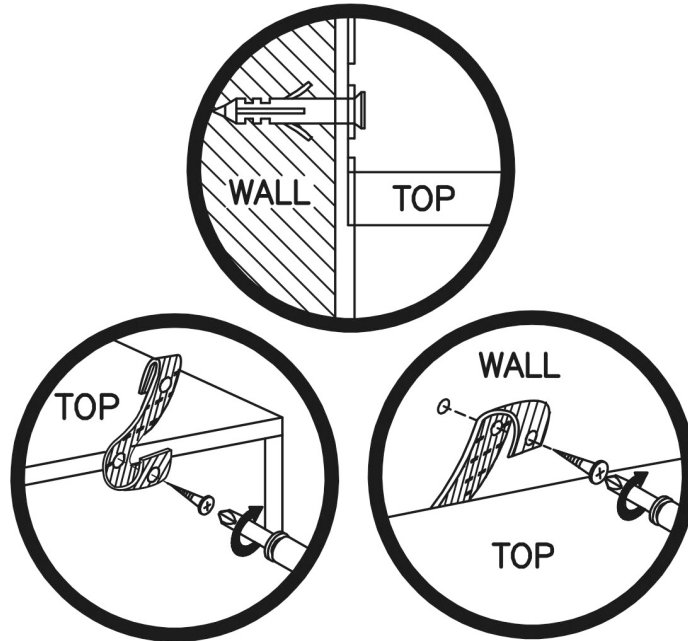
TOOLS REQUIRED



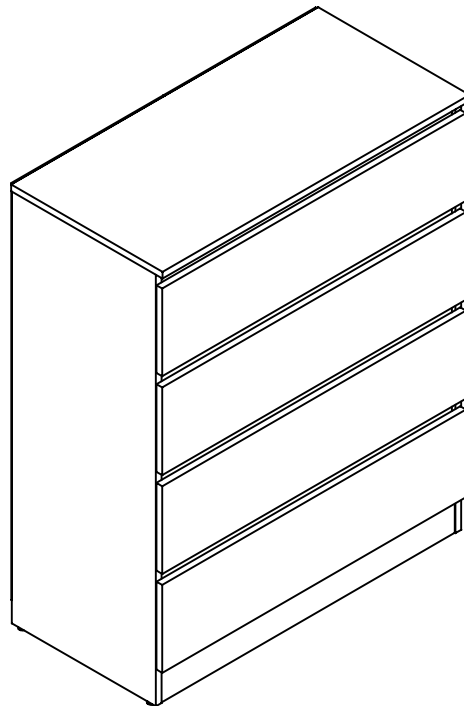
WARNING

Serious or fatal injuries can occur from furniture tipping over. To prevent the furniture from tipping over we recommend that it is permanently fixed to the wall.

Wall fixings are not supplied with this product as different wall materials require different types of fixing devices. Please make sure you use fixings suitable for the walls in your home.

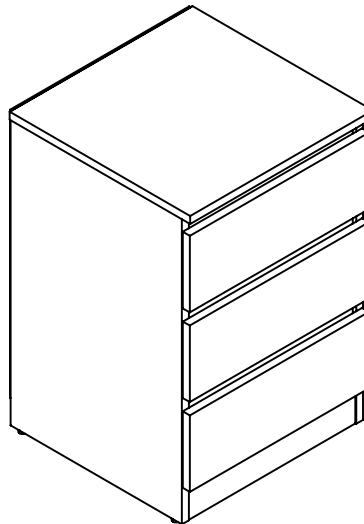


STEP 16



FINISH

GREY MALVERN 3 DRAWER BEDSIDE ASSEMBLY INSTRUCTIONS



FOR DOMESTIC USE ONLY

IMPORTANT

PLEASE READ BEFORE YOU CONTINUE FURTHER

THE PRODUCT YOU HAVE PURCHASED WILL GIVE YOU MANY YEARS OF SERVICE IF YOU FOLLOW THE GUIDELINES FOR ITS SAFE ASSEMBLY AND PERIODIC MAINTENANCE AND CLEANING.

ASSEMBLE ON A SOFT CLEAN SURFACE.

DO NOT USE ANY TOOLS OTHER THAN THOSE SHOWN.

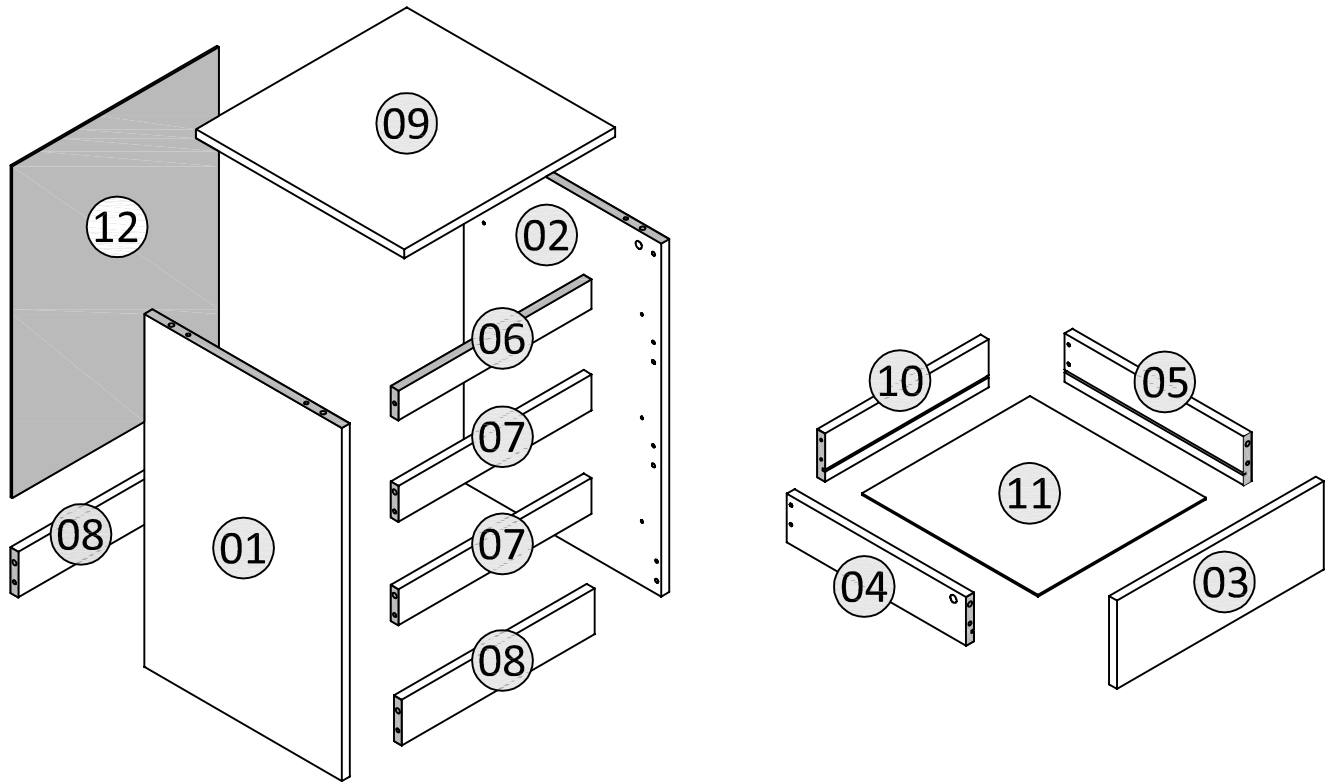
ANY SPANNERS OR ALLEN KEYS REQUIRED ARE INCLUDED WITH THE FITTING KIT.

DO NOT FOR ANY REASON USE A POWER TOOL TO ASSEMBLE THIS PRODUCT. ITS USE WILL INVALIDATE ANY CLAIM YOU MAY HAVE AND COULD MAKE THIS PRODUCT UNSAFE.

DEPENDING ON THE AMOUNT OF USE THIS PRODUCT RECEIVES. IT MAY BE NECESSARY TO TIGHTEN UP THE FIXINGS FROM TIME TO TIME. THIS IS COMPLETELY NORMAL FOR ANY FLAT PACK FURNITURE. DO NOT OVERTIGHTEN FIXINGS.

FOR CLEANING, YOU MAY USE A DAMP CLOTH (NOT WET). DO NOT USE POLISH, DETERGENT OR CHEMICAL CLEANERS.

THIS SURFACE OF THIS ITEM IS NOT HEAT RESISTANT. ALWAYS USE A PLACE MAT UNDER HOT OR COLD ITEMS TO PREVENT MARKING.



PART LIST

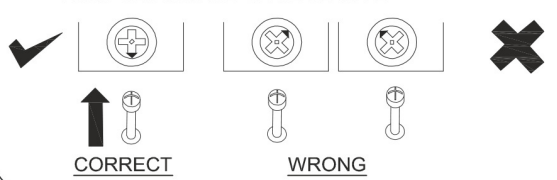
<u>Part Number</u>	<u>Part Code</u>	<u>Part Description</u>	<u>Quantity</u>	<u>Carton</u>
01	S100-103-069-TA1-01	Left Panel	1	1/1
02	S100-103-069-TA1-02	Right Panel	1	1/1
03	S100-103-069-TA1-03	Drawer Front	3	1/1
04	S100-103-069-TA1-04	Drawer Left Panel	3	1/1
05	S100-103-069-TA1-05	Drawer Right Panel	3	1/1
06	S100-103-069-TA1-06	Top Support Panel	1	1/1
07	S100-103-069-TA1-07	Centre Support Panel	2	1/1
08	S100-103-069-TA1-08	Bottom Support Panel	2	1/1
09	S100-103-069-TA1-09	Top Panel	1	1/1
10	S100-103-069-TA1-10	Drawer Back Panel	3	1/1
11	S100-103-069-TA1-11	Drawer Bottom Panel	3	1/1
12	S100-103-069-TA1-12	Back Panel	1	1/1

HARDWARE LIST

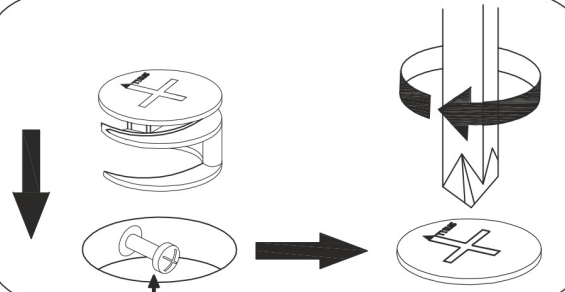
No.	Part Name		Qty
A	5575 Cam Nut		18
B	Cam Bolt		18
C	M6 x 30mm Wood Dowel		20
D	38mm Chipboard Screw		12
E	14mm Chipboard Screw		34
F	14" Drawer Slide		3 sets
G	PVC L Bracket		1
H	Table Pin		4
J	Steel Nail		20
K	Safety Pack (4 x 20mm x 1)		1

TIPS FOR FITTING CAM-LOCKS

WHEN FITTING THE CAM-LOCK
ENSURE STARTING POSITION IS CORRECT
BEFORE YOU INSERT CONNECTING CAM BOLT
TURN CLOCKWISE UNTIL SECURE



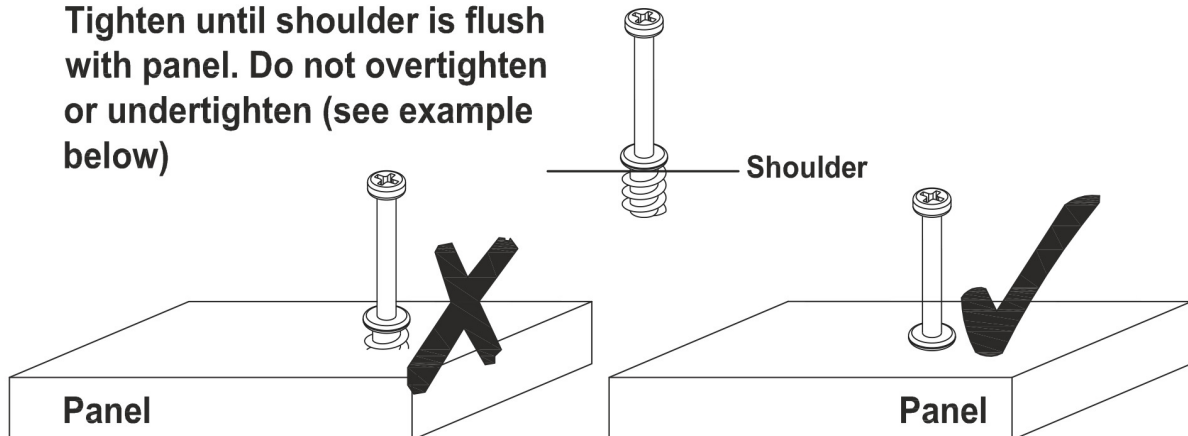
CORRECT **WRONG**



Cam bolt head needs to be in centre

CAMBOLT

Tighten until shoulder is flush with panel. Do not overtighten or undertighten (see example below)



Shoulder

Panel

Panel

STEP 1

PARTS REQUIRED

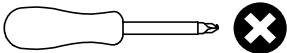
01- LEFT PANEL x1

HARDWARE REQUIRED

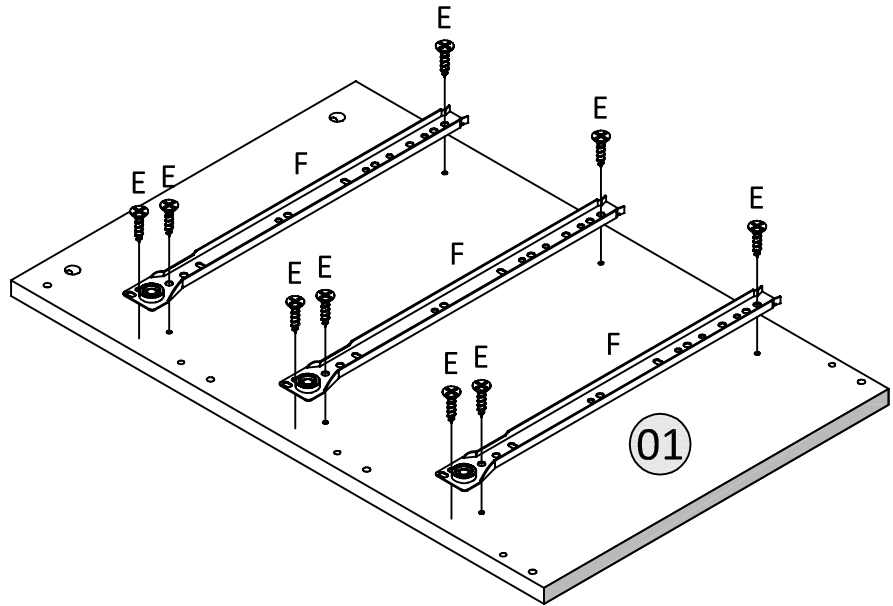
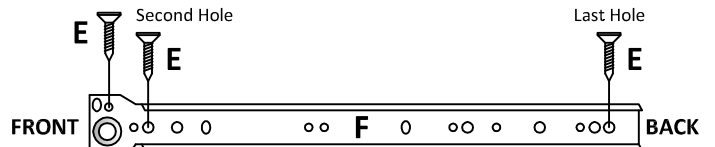
E  09

F  03

TOOLS REQUIRED



To Assembly the Drawer Slide, Please Follow Step as Below




STEP 2

PARTS REQUIRED

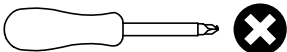
02- RIGHT PANEL x1

HARDWARE REQUIRED

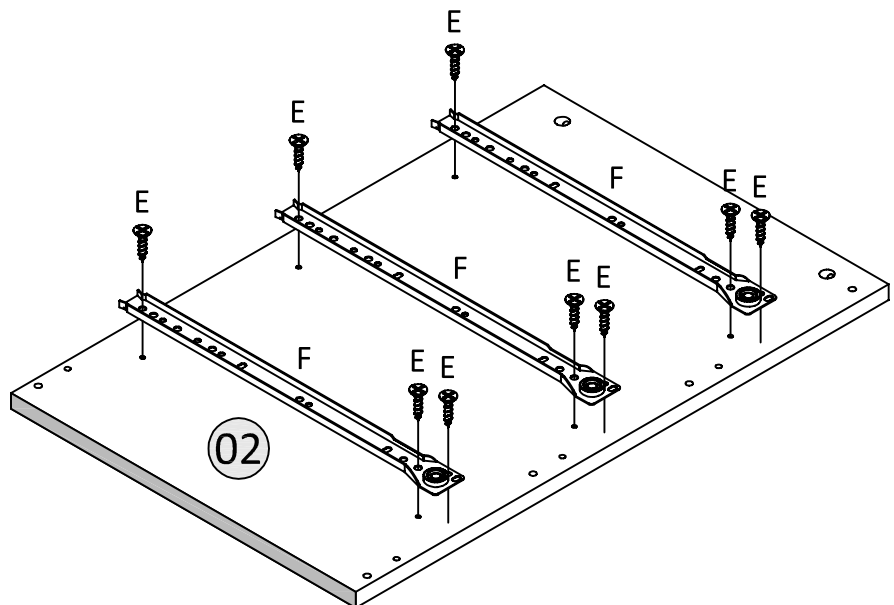
E  09

F  03

TOOLS REQUIRED



To Assembly the Drawer Slide, Please Follow Step as Below



STEP 3

PARTS REQUIRED


01- LEFT PANEL x1

02- RIGHT PANEL x1

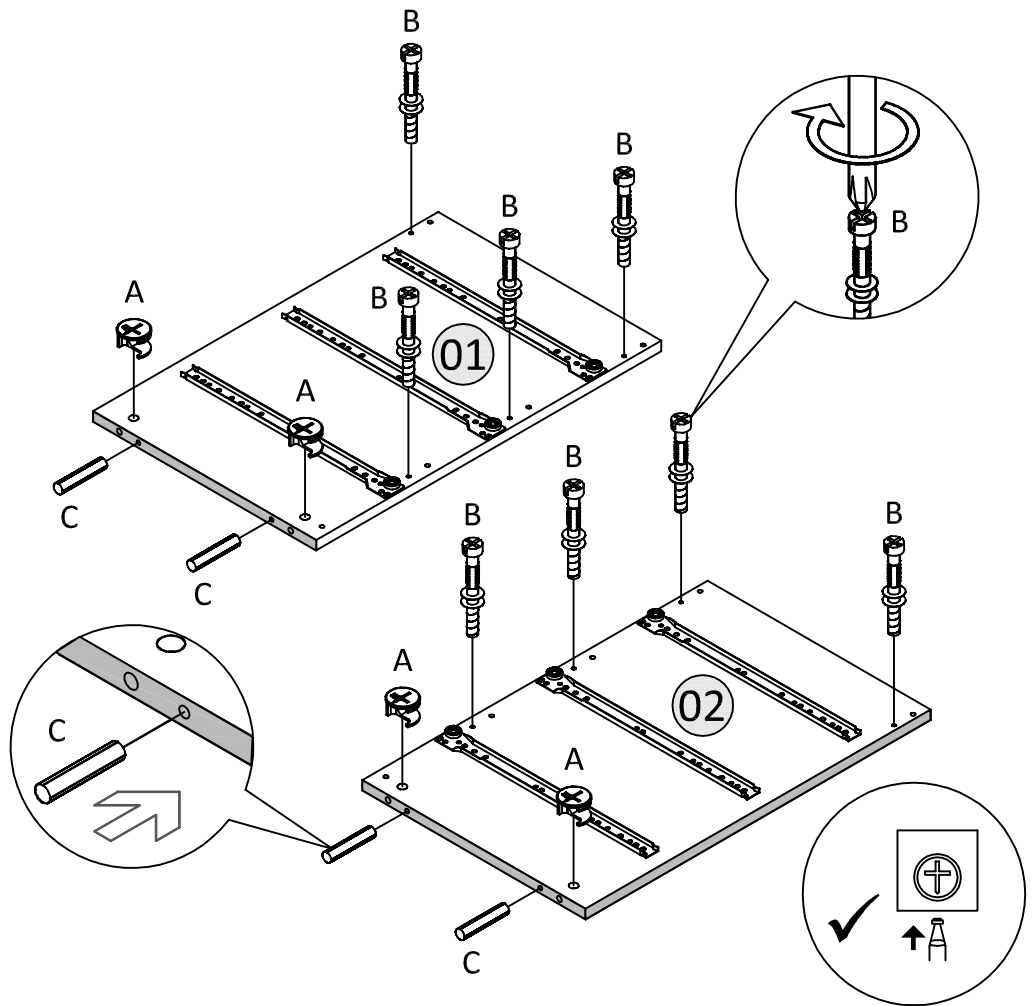
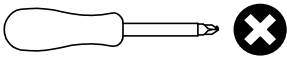
HARDWARE REQUIRED

A  04

B  08

C  04

TOOLS REQUIRED



STEP 4

PARTS REQUIRED

06- TOP SUPPORT PANEL x1

07- CENTRE SUPPORT PANEL x2


08- BOTTOM SUPPORT PANEL x2

09- TOP PANEL x1

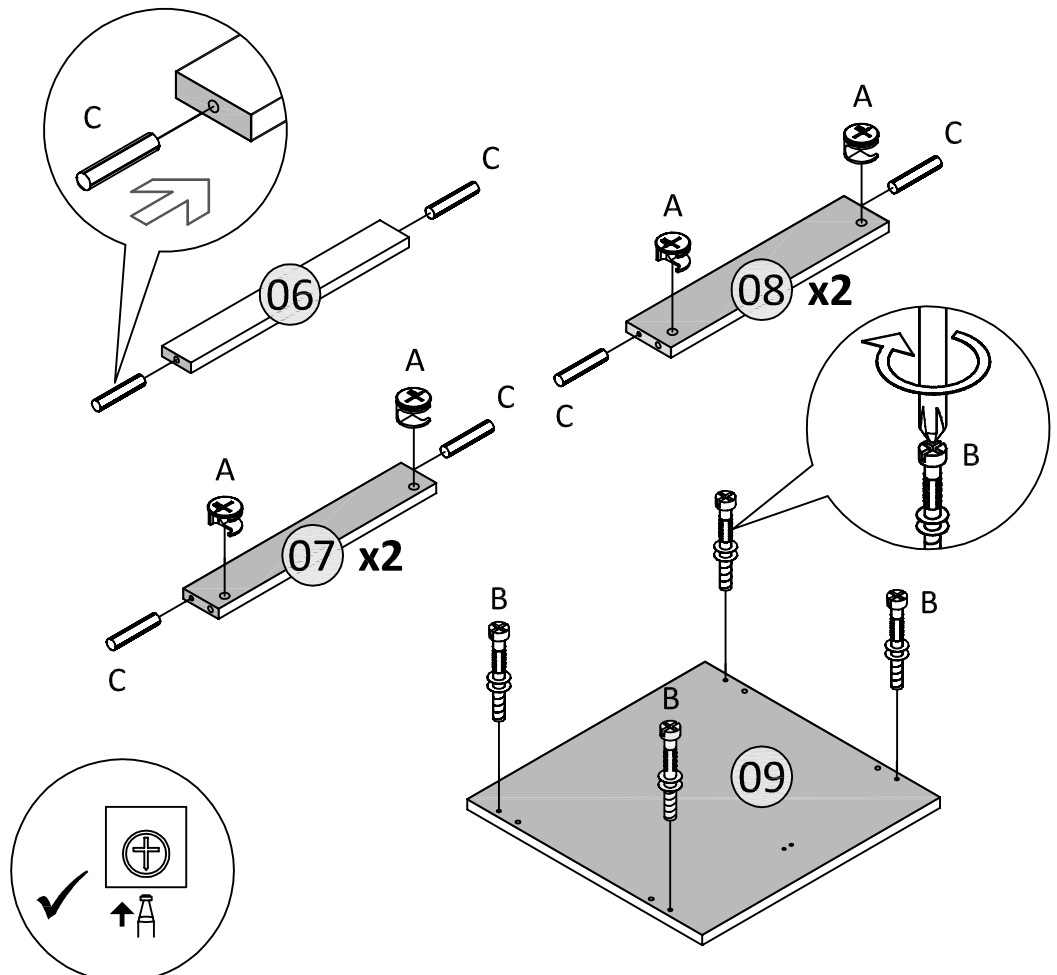
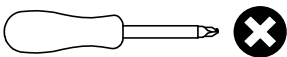
HARDWARE REQUIRED

A  08

B  04

C  10

TOOLS REQUIRED



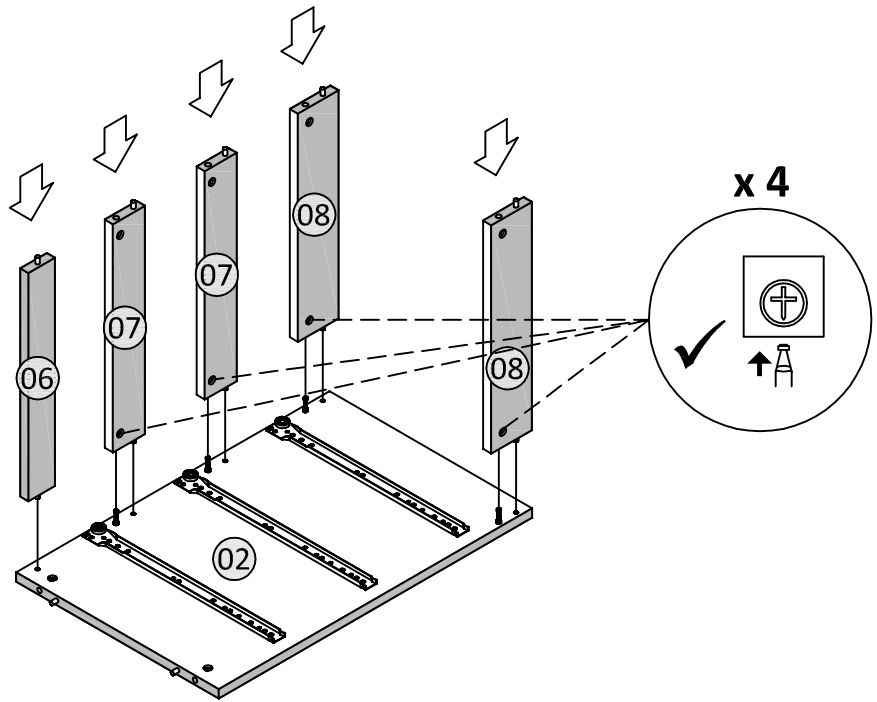
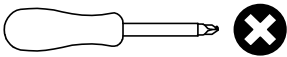
STEP 5

PARTS REQUIRED

02- RIGHT PANEL	x1
06- TOP SUPPORT PANEL	x1
07- CENTRE SUPPORT PANEL	x2
08- BOTTOM SUPPORT PANEL	x2

HARDWARE REQUIRED

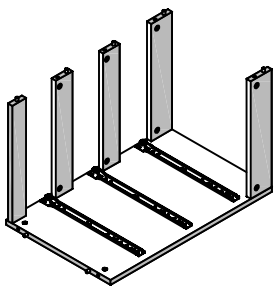
TOOLS REQUIRED



STEP 6

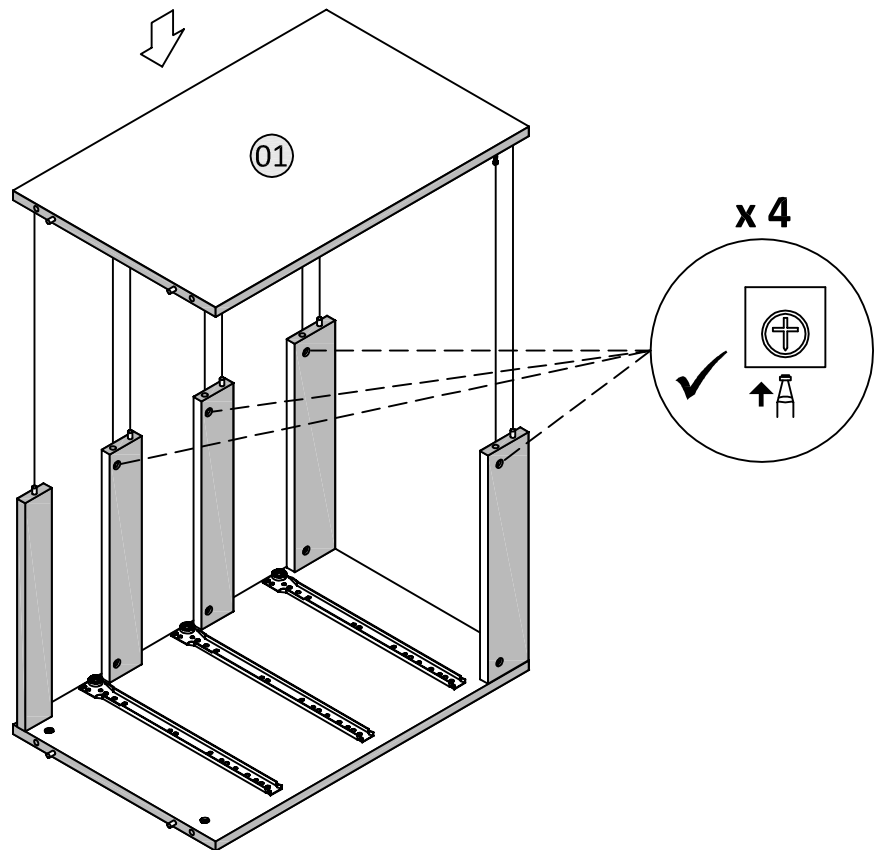
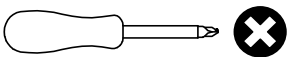
PARTS REQUIRED

01- LEFT PANEL	x1
----------------	----



HARDWARE REQUIRED

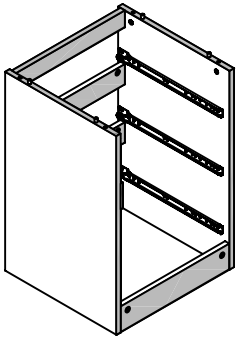
TOOLS REQUIRED



STEP 7

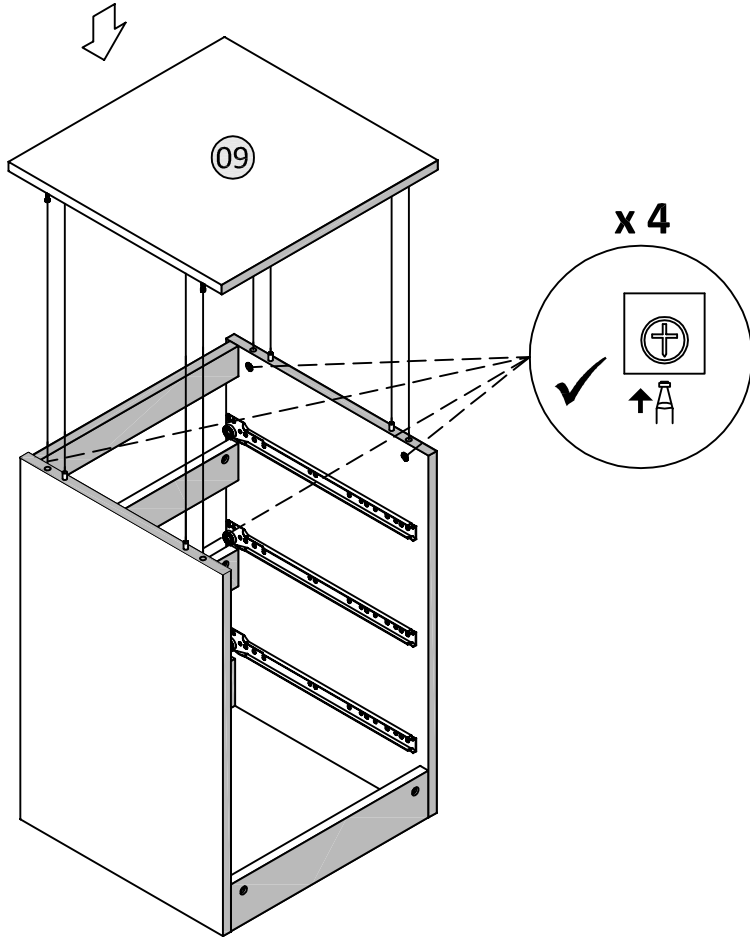
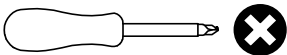
PARTS REQUIRED

09- TOP PANEL x1



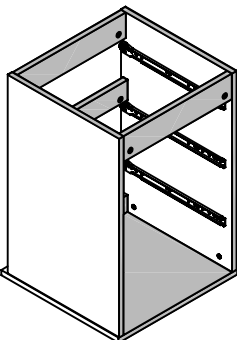
HARDWARE REQUIRED

TOOLS REQUIRED




STEP 8

PARTS REQUIRED

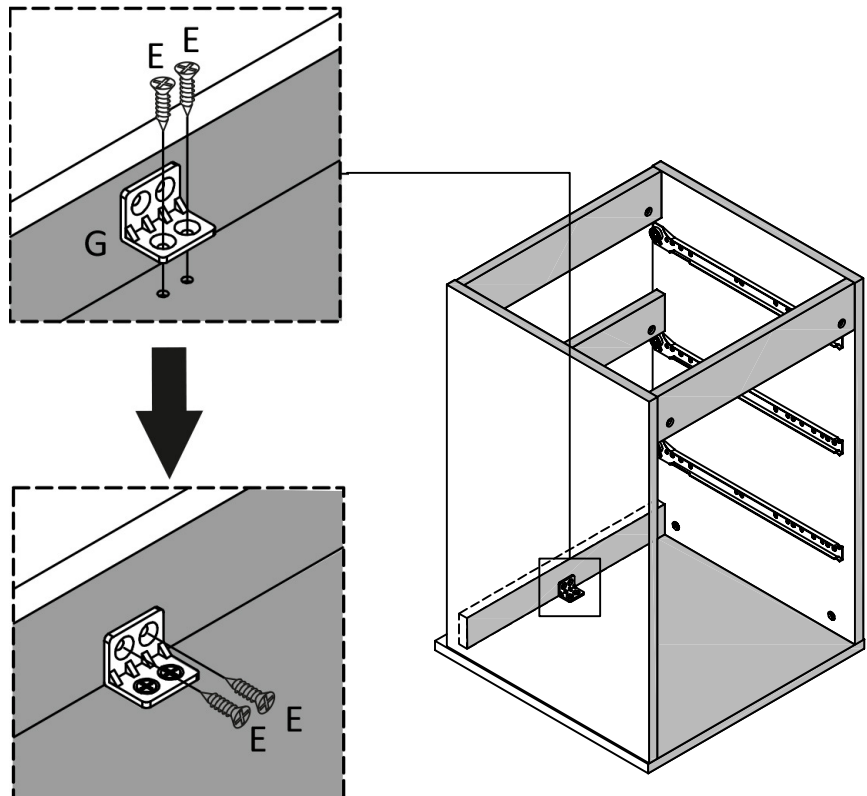
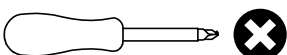


HARDWARE REQUIRED

E  04

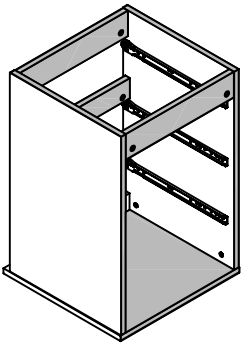
G  01

TOOLS REQUIRED

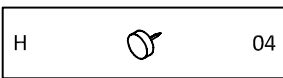


STEP 9

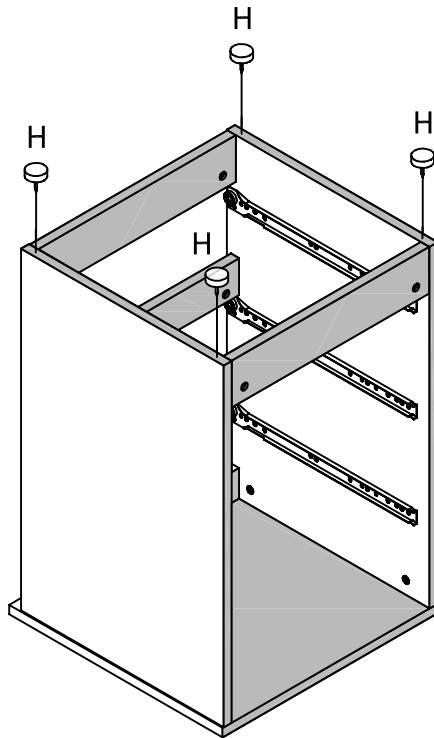
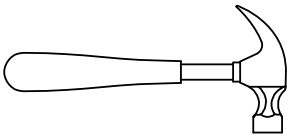
PARTS REQUIRED



HARDWARE REQUIRED

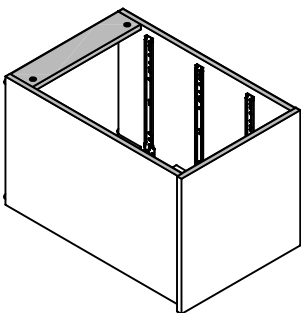
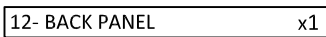


TOOLS REQUIRED

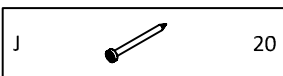


STEP 10

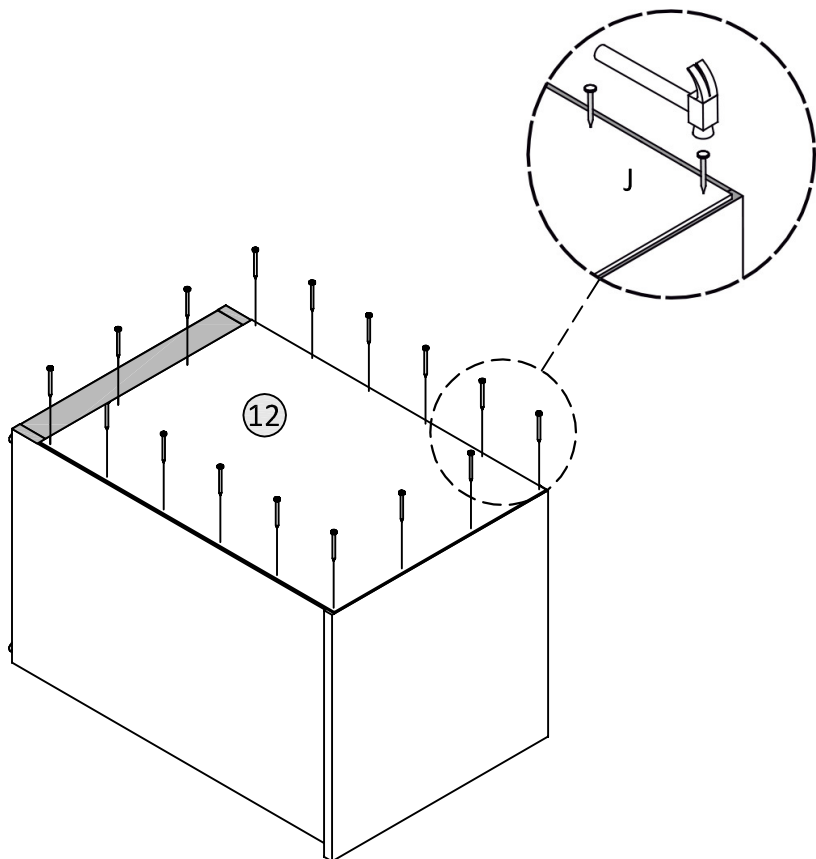
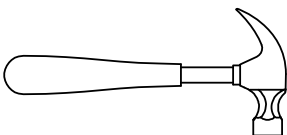
PARTS REQUIRED



HARDWARE REQUIRED



TOOLS REQUIRED



STEP 11

PARTS REQUIRED

03- DRAWER FRONT x3

04- DRAWER LEFT PANEL x3

05- DRAWER RIGHT PANEL x3

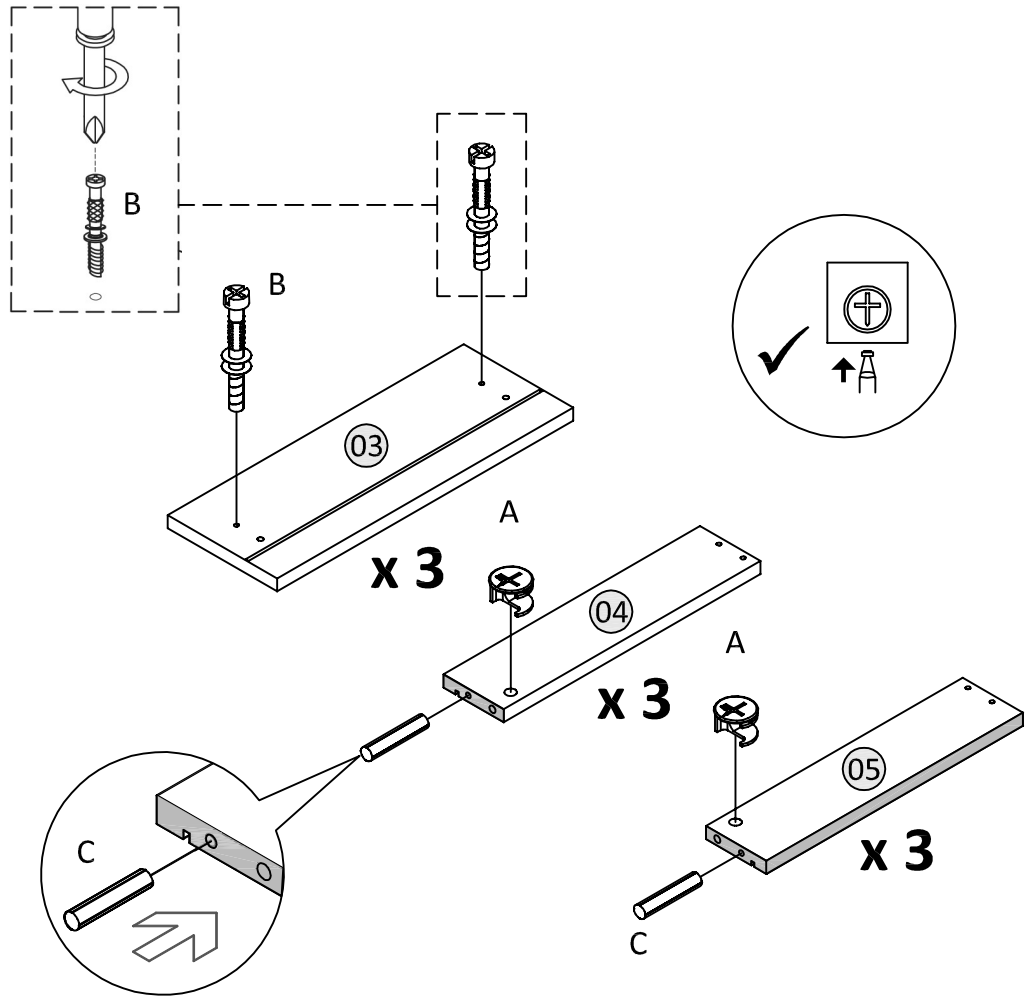
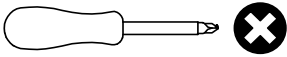
HARDWARE REQUIRED

A  06

B  06

C  06

TOOLS REQUIRED



STEP 12

PARTS REQUIRED

04- DRAWER LEFT PANEL x3

05- DRAWER RIGHT PANEL x3

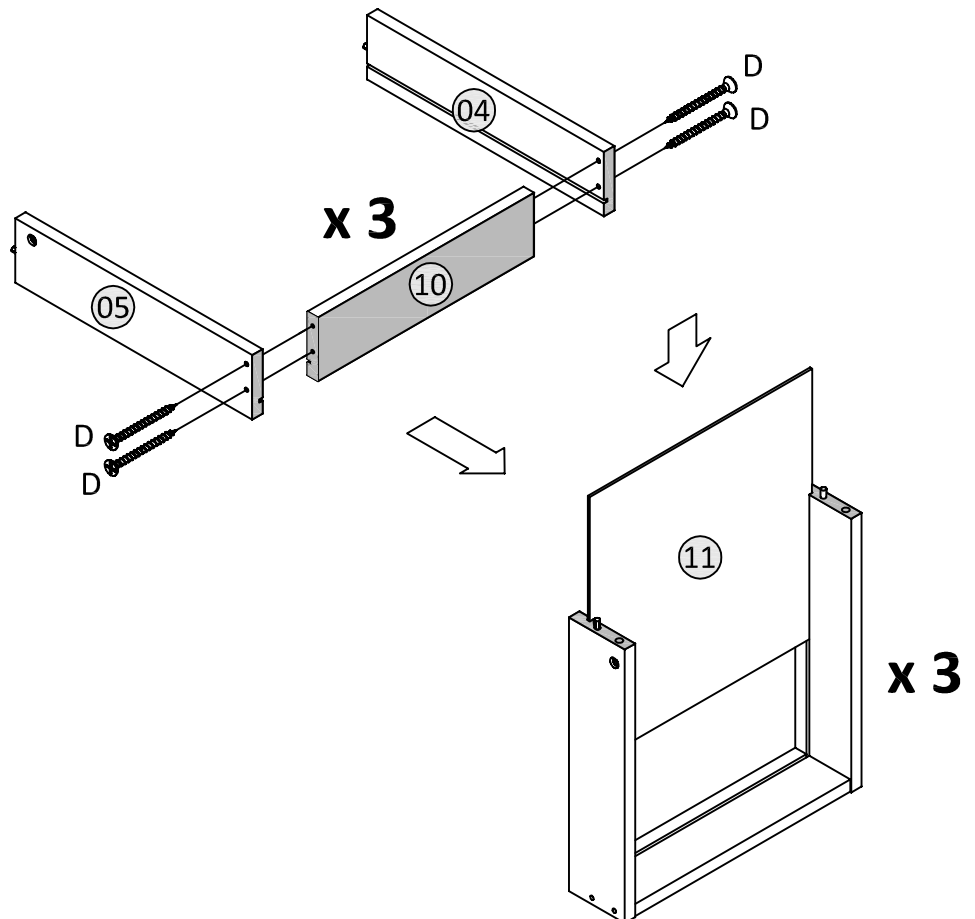
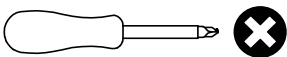
10- DRAWER BACK PANEL x3

11- DRAWER BOTTOM PANEL x3

HARDWARE REQUIRED

D  x12

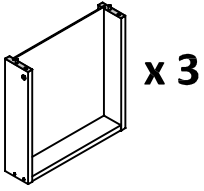
TOOLS REQUIRED



STEP 13

PARTS REQUIRED

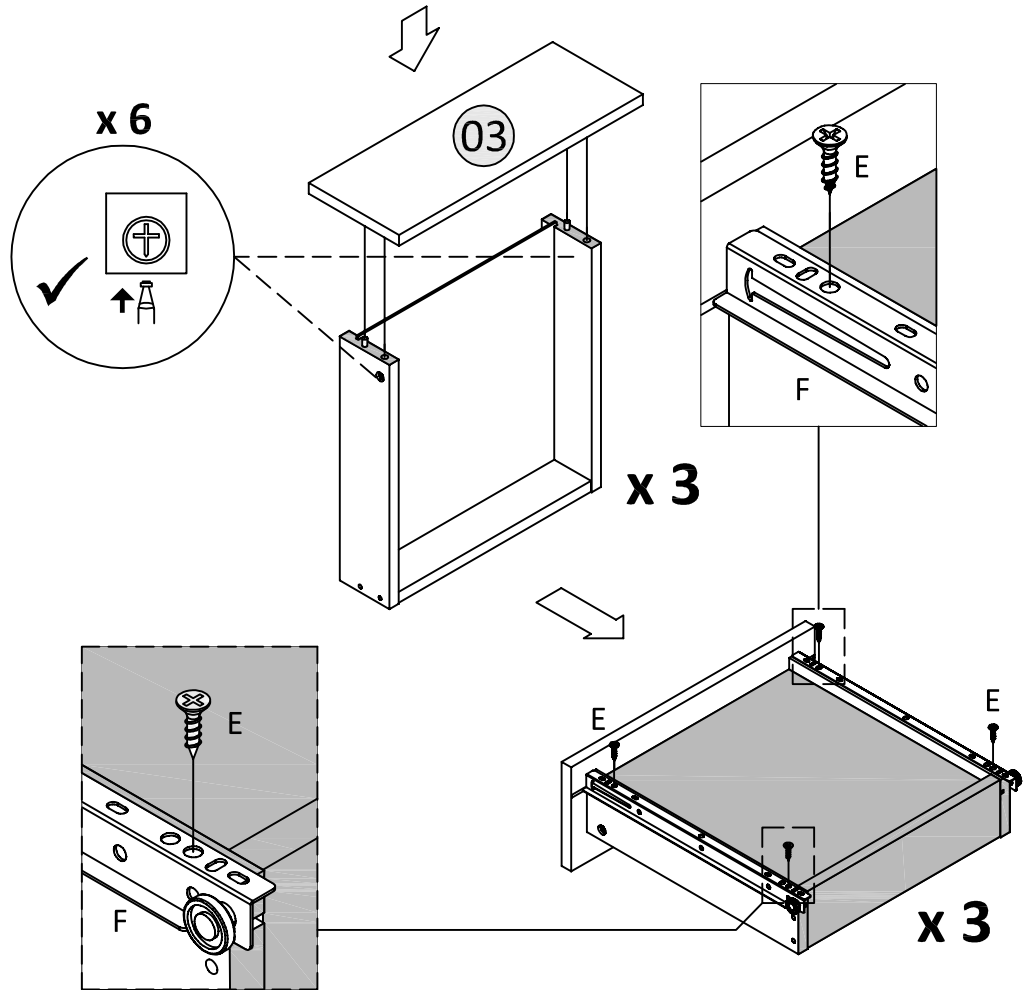
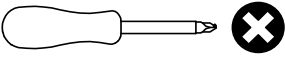
03- DRAWER FRONT x3



HARDWARE REQUIRED

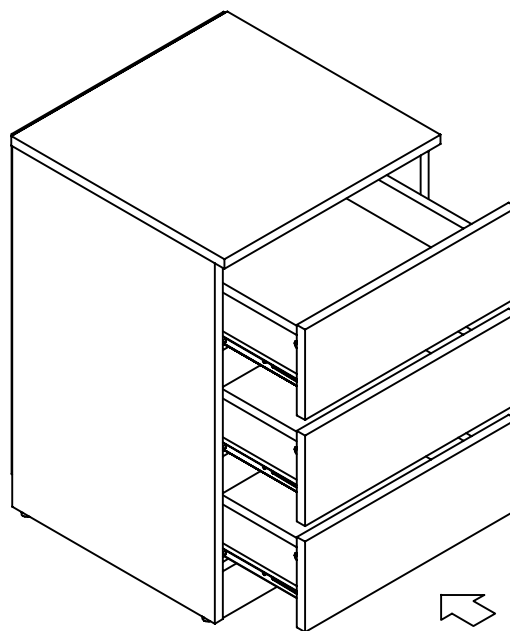
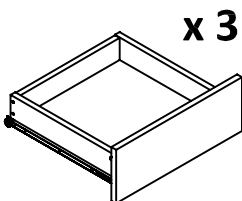
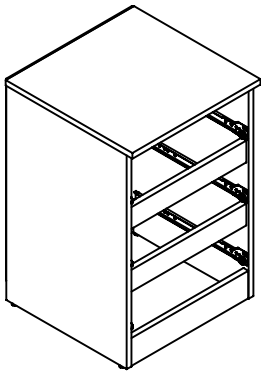


TOOLS REQUIRED



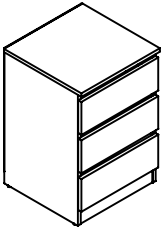
STEP 14

PARTS REQUIRED



STEP 15

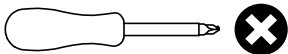
PARTS REQUIRED



HARDWARE REQUIRED



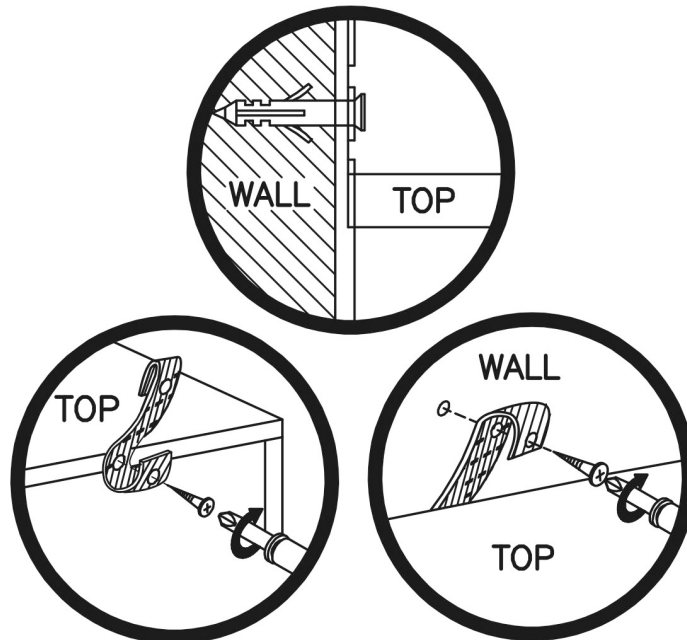
TOOLS REQUIRED



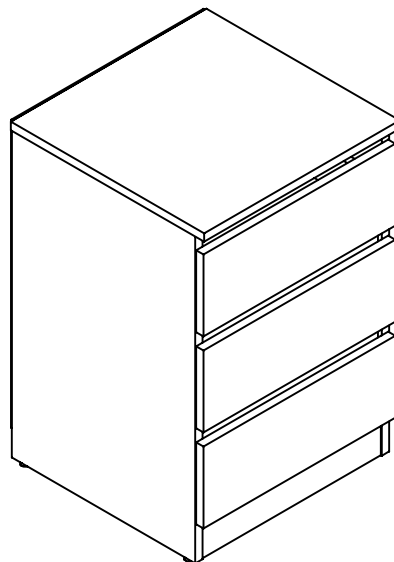
WARNING

Serious or fatal injuries can occur from furniture tipping over. To prevent the furniture from tipping over we recommend that it is permanently fixed to the wall.

Wall fixings are not supplied with this product as different wall materials require different types of fixing devices. Please make sure you use fixings suitable for the walls in your home.



STEP 16



FINISH