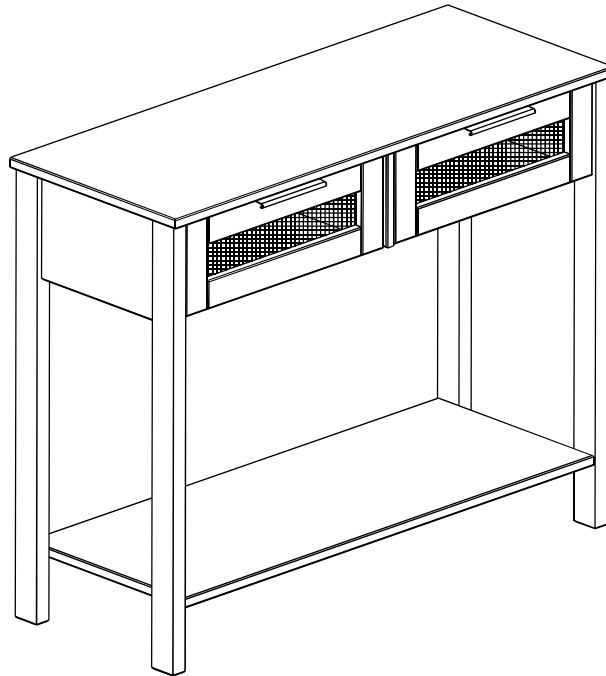


56420(MY)

CORONA 2 DRAWER RATTAN CONSOLE TABLE ASSEMBLY INSTRUCTIONS



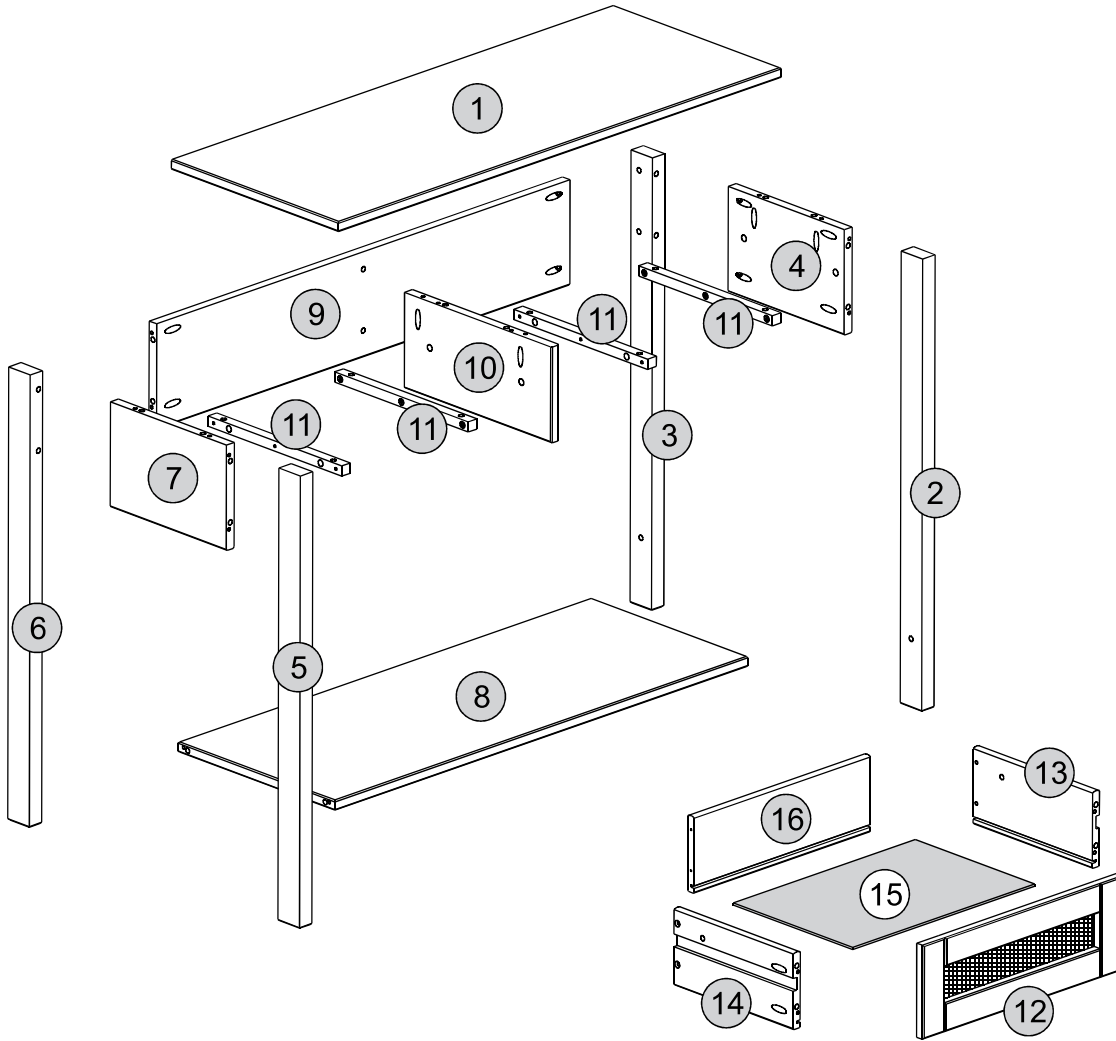
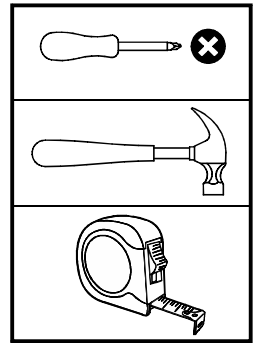
IMPORTANT
FOR DOMESTIC USE ONLY
PLEASE READ BEFORE YOU CONTINUE FURTHER

CARE AND MAINTENANCE

After unpacking this product please keep the original packaging in case it needs to be returned for any reason.

- Please ensure all fittings and parts are present before commencing with assembly.
- Never drag or push products as this could cause damage to the joints making it inferior.
- We strongly recommend that you keep children away from your work area.
- We recommend that you lay a blanket or sheet on the floor to avoid damage to both your floor and the product.
- Assemble this product as close to its final position as possible.
- Do not place this product next to a radiator or in direct sunlight.
- Do not drag or push items across your high gloss furniture as this may cause the surface to scratch
- Wood is a natural product and may expand if subjected to damp and may shrink or crack if subjected to heat. Therefore it is recommended that room temperature is maintained, with no sudden temperature fluctuations.
- Make sure any spillage is wiped off immediately.
- Do not place hot or chilled items directly on to the surface, use a place mat or marking will occur.
- For general cleaning use a soft cotton or micro fibre cloth, and do not use detergents of any kind.
- From time to time it may be necessary to tighten fittings, regular inspections should be carried out.
- Do not place on a wet or damp floor as staining may occur to your floor.

TOOLS REQUIRED

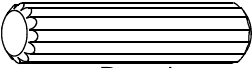


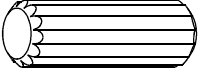

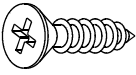
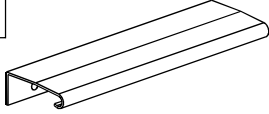




PARTS LIST

Please Note:
The below parts have all been stamped with the part number to help identify them during assembly.

<u>Part Number</u>	<u>Part Code</u>	<u>Part Description</u>	<u>Quantity</u>	<u>Carton</u>
1	S300-304-031-MY1-01	Top Panel	1	1/1
2	S300-304-031-MY1-02	Right Front Leg	1	1/1
3	S300-304-031-MY1-03	Right Back Leg	1	1/1
4	S300-304-031-MY1-04	Right Side Panel	1	1/1
5	S300-304-031-MY1-05	Left Front Leg	1	1/1
6	S300-304-031-MY1-06	Left Back Leg	1	1/1
7	S300-304-031-MY1-07	Left Side Panel	1	1/1
8	S300-304-031-MY1-08	Shelf Panel	1	1/1
9	S300-304-031-MY1-09	Back Panel	1	1/1
10	S300-304-031-MY1-10	Division Panel	1	1/1
11	S300-304-031-MY1-11	Drawer Runner	4	1/1
12	S300-304-031-MY1-12	Drawer Front	2	1/1
13	S300-304-031-MY1-13	Right Drawer Side	2	1/1
14	S300-304-031-MY1-14	Left Drawer Side	2	1/1
15	S300-304-031-MY1-15	Drawer Bottom	2	1/1
16	S300-304-031-MY1-16	Drawer Back Panel	2	1/1

FITTINGS LIST

A  Dowel +2 Ø8,0 x 30mm (40x)	B  Screw +2 Ø3,5 x 30mm (43x)	C  Glue (1x)	D  Dowel +1 Ø10,0 x 20mm (8x)
E  Screw +2 Ø4,0 x 25mm (12x)	F  Screw +1 Ø3,5 x 14mm (4x)	G  Handle (2x)	H  Anti - Tip - Kit (1x)
I  Washer (2x)			


STEP 1

PARTS REQUIRED

7 - Left Side Panel x1

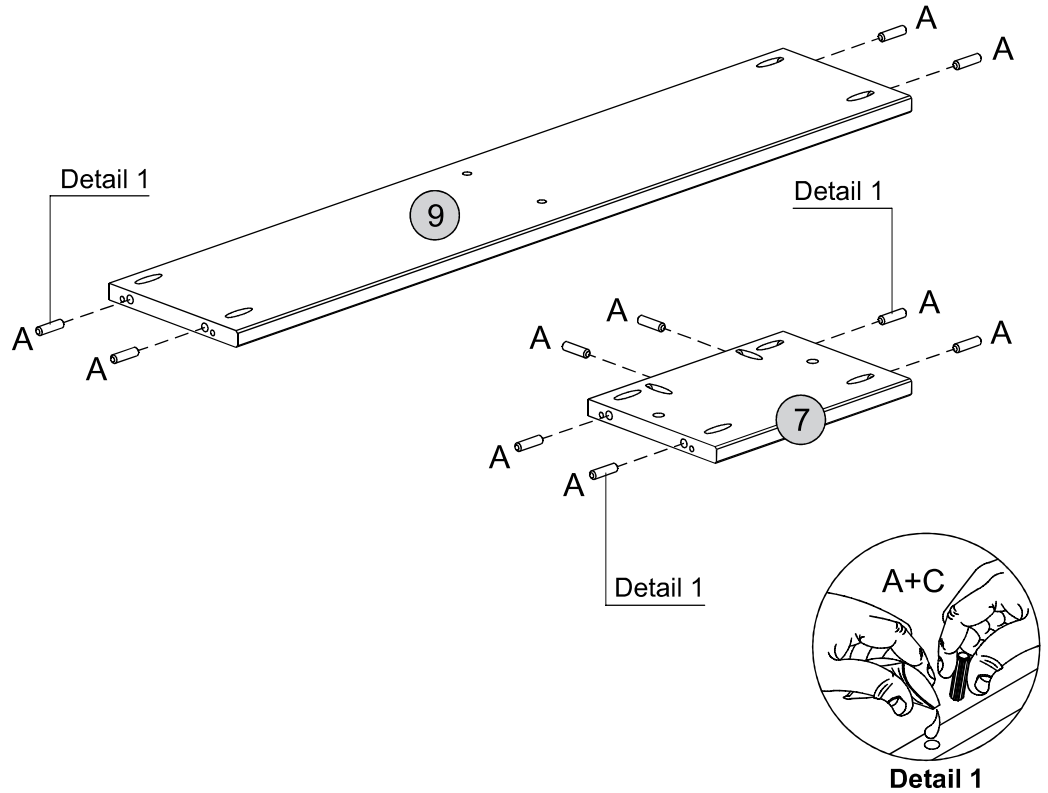
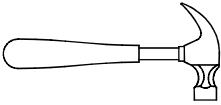
9 - Back Panel x1

HARDWARE REQUIRED

A  10
Ø8,0 x 30mm

C  01
Glue

TOOLS REQUIRED





STEP 2

PARTS REQUIRED

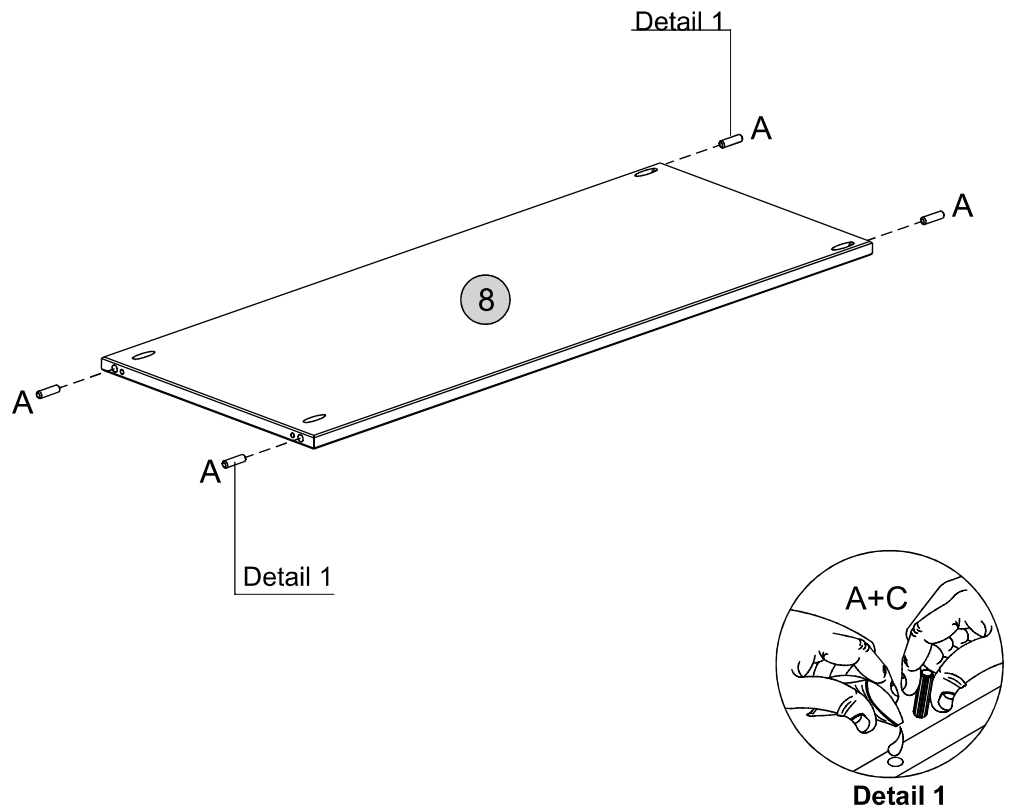
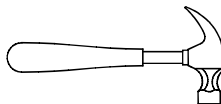
8 - Shelf Panel x1

HARDWARE REQUIRED

A  04
Ø8,0 x 30mm

C  01
Glue

TOOLS REQUIRED


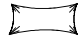


STEP 3

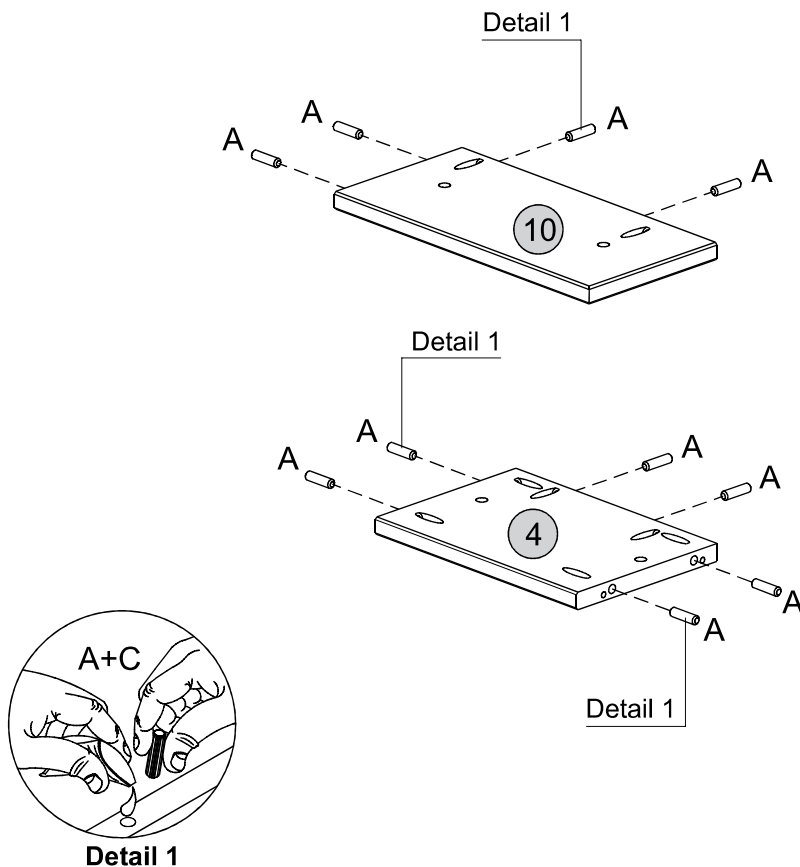
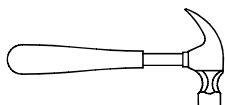
PARTS REQUIRED

- 4 - Right Side Panel x1
- 10 - Division Panel x1

HARDWARE REQUIRED

- A  10
Ø8,0 x 30mm
- C  01
Glue

TOOLS REQUIRED

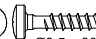
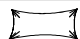


STEP 4

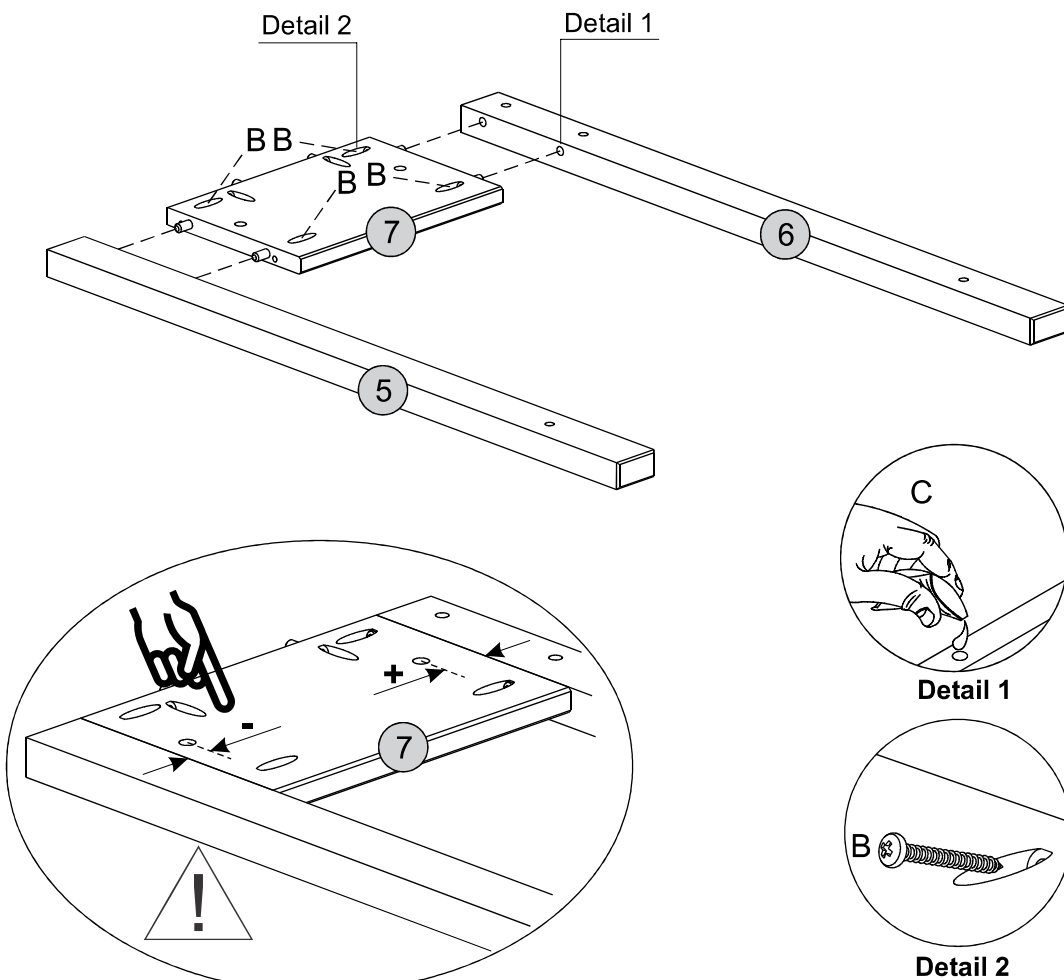
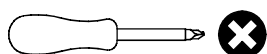
PARTS REQUIRED

- 5 - Left Front Leg x1
- 6 - Left Back Leg x1
- 7 - Left Side Panel x1

HARDWARE REQUIRED

- B  04
Ø3,5 x 30mm
- C  01
Glue

TOOLS REQUIRED

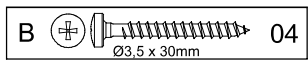


STEP 5

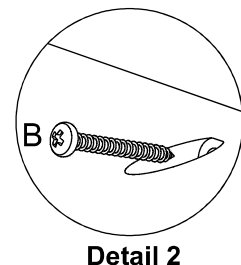
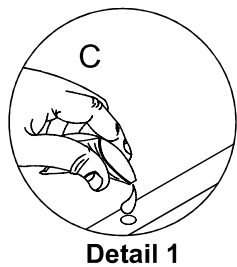
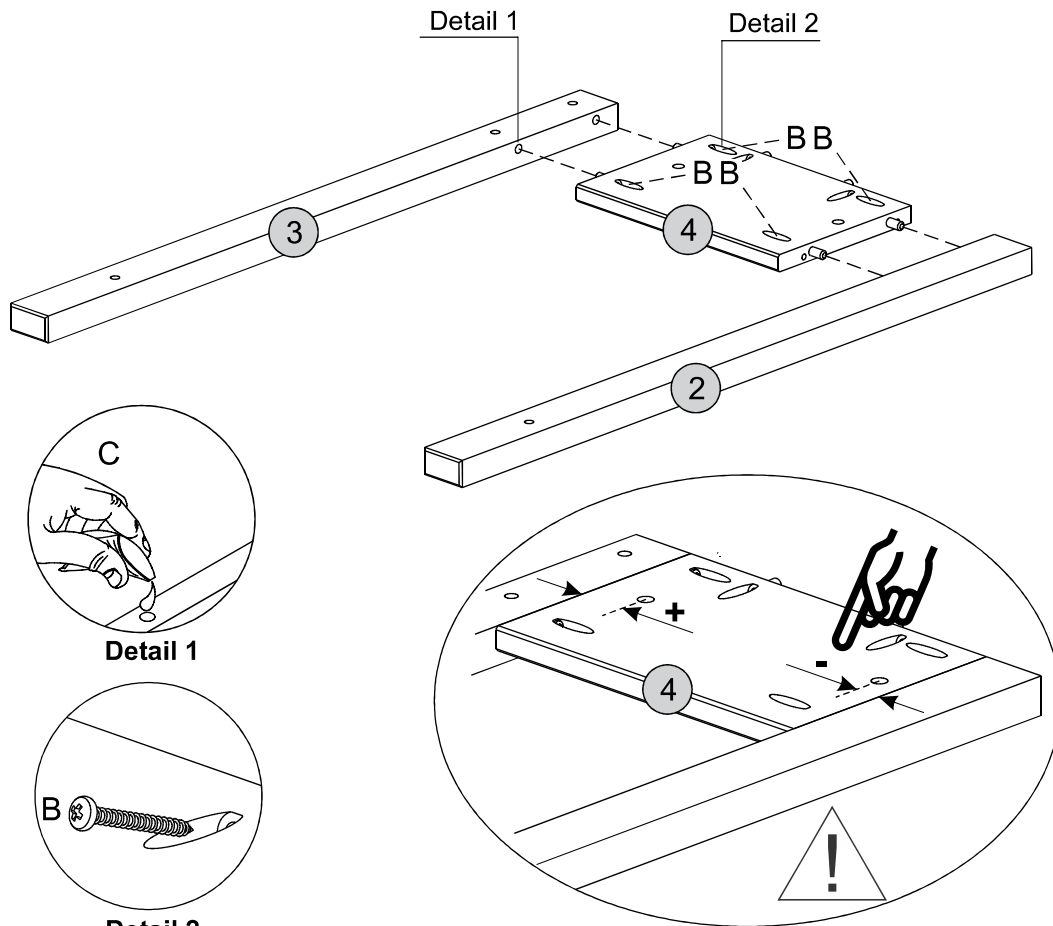
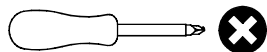
PARTS REQUIRED

2 - Right Front Leg	x1
3 - Right Back Leg	x1
4 - Right Side Panel	x1

HARDWARE REQUIRED



TOOLS REQUIRED

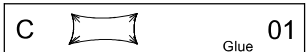
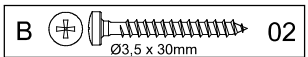


STEP 6

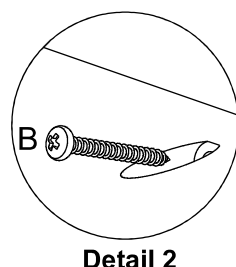
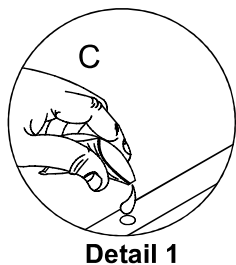
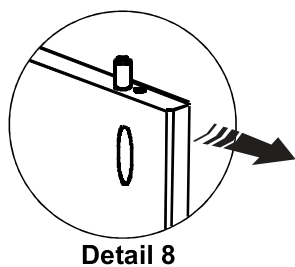
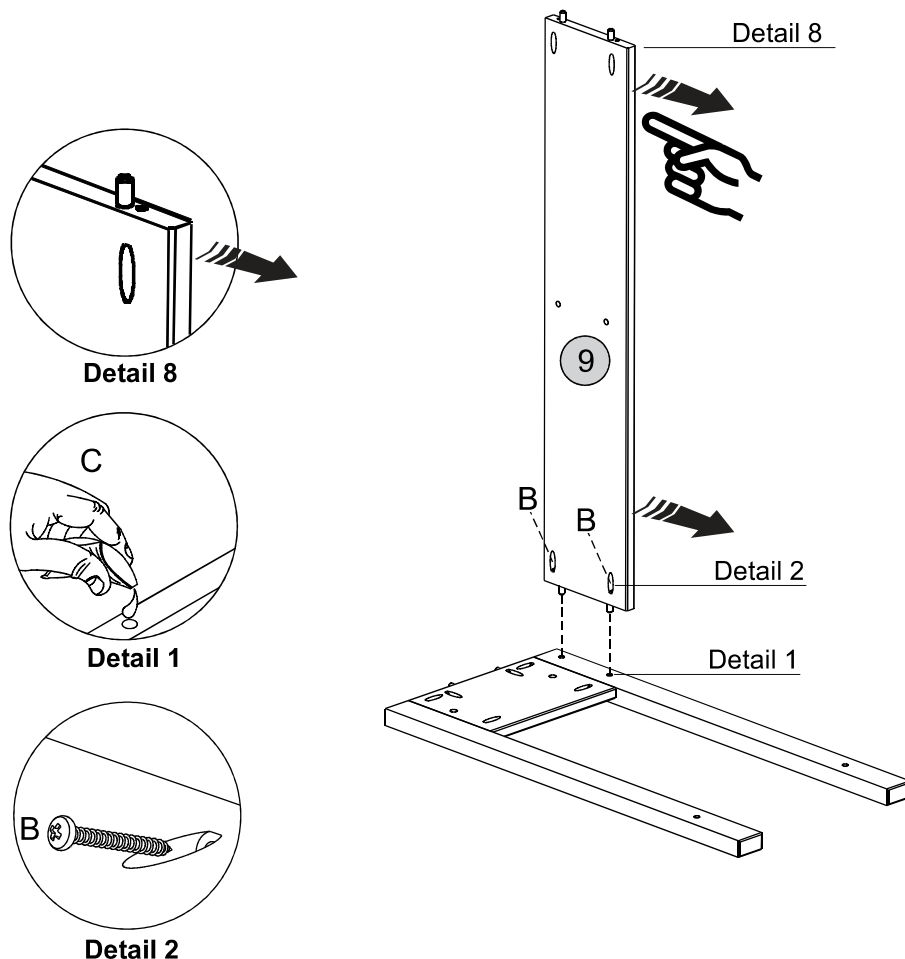
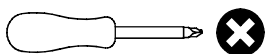
PARTS REQUIRED

9 - Back Panel	x1
----------------	----

HARDWARE REQUIRED



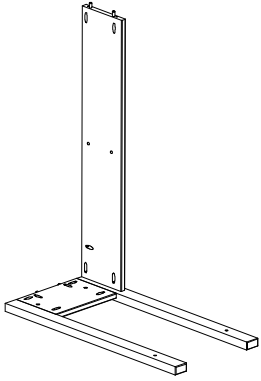
TOOLS REQUIRED




STEP 7

PARTS REQUIRED

8 - Shelf Panel x1

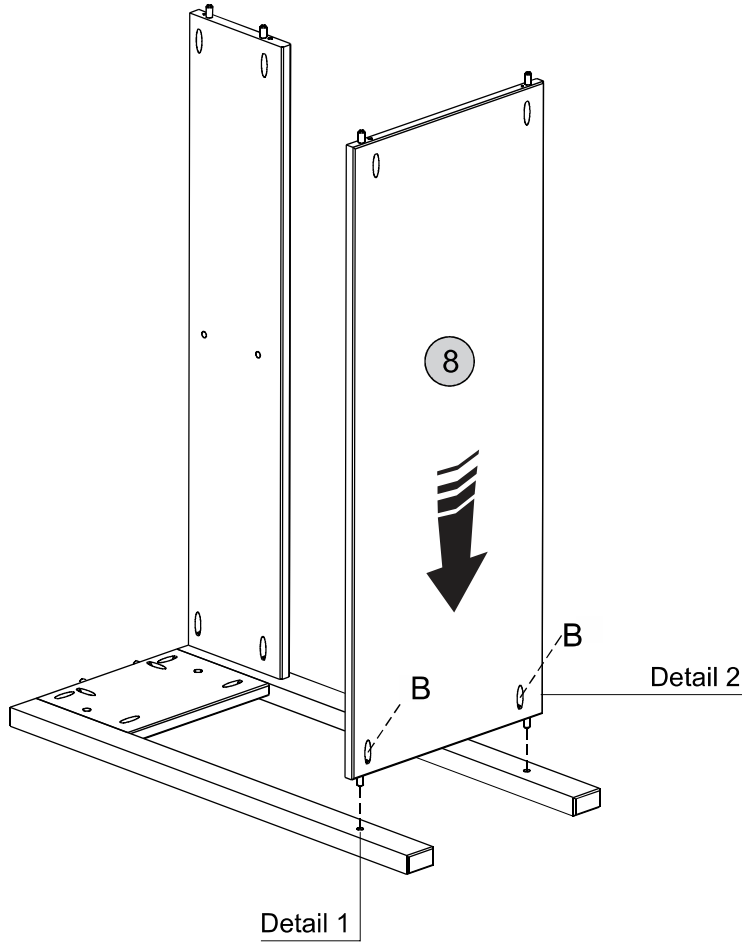
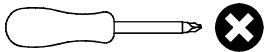


HARDWARE REQUIRED

B  02
Ø3,5 x 30mm

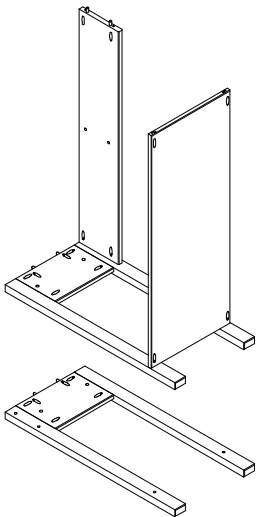
C  01
Glue

TOOLS REQUIRED




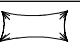
STEP 8

PARTS REQUIRED

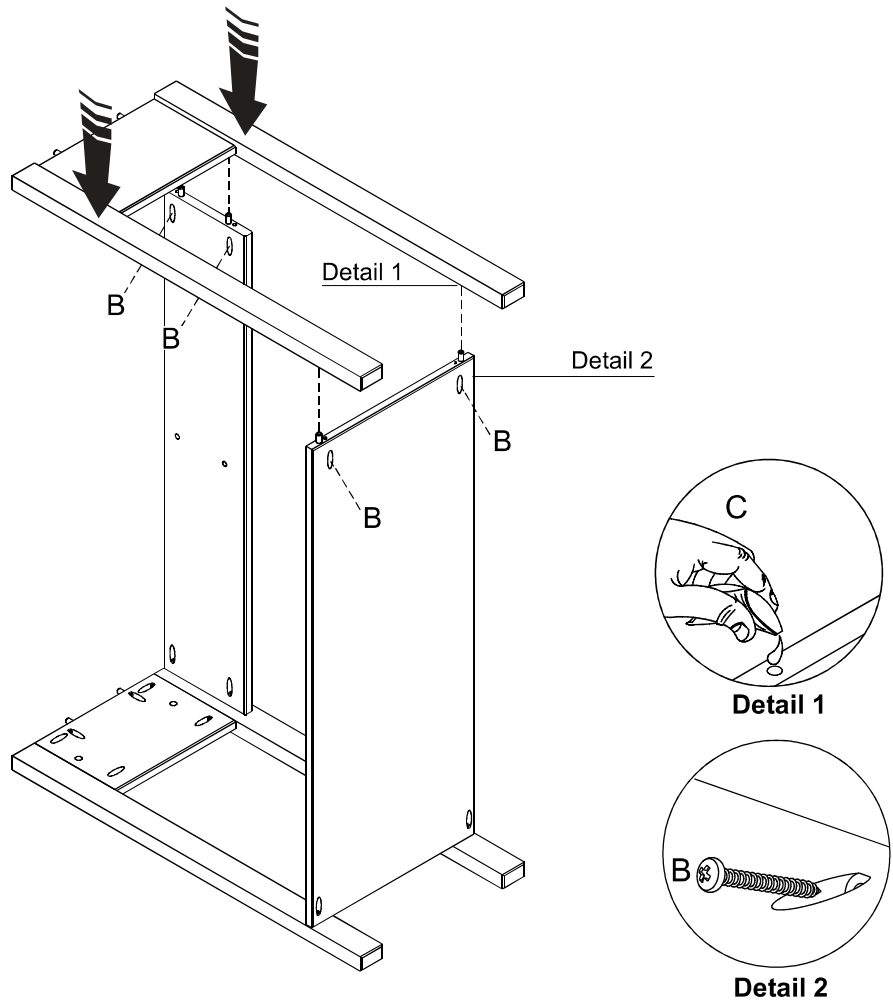
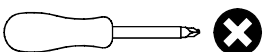


HARDWARE REQUIRED

B  04
Ø3,5 x 30mm

C  01
Glue

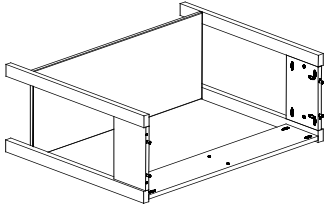
TOOLS REQUIRED




STEP 9

PARTS REQUIRED

10 - Division Panel x1

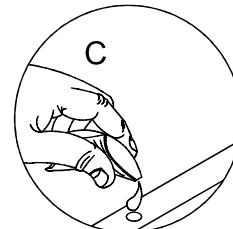
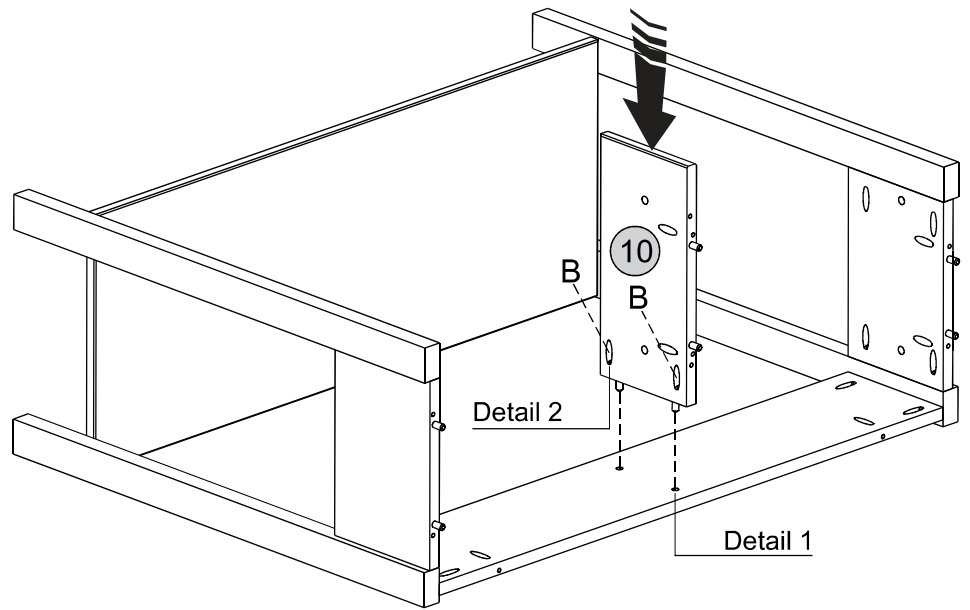
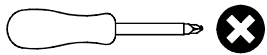


HARDWARE REQUIRED

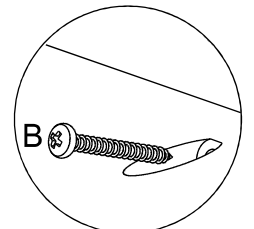
B  Ø3,5 x 30mm 02

C  Glue 01

TOOLS REQUIRED



Detail 1

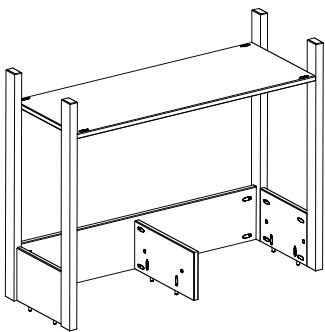


Detail 2


STEP 10

PARTS REQUIRED

1 - Top Panel x1

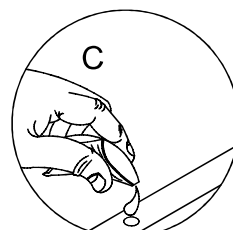
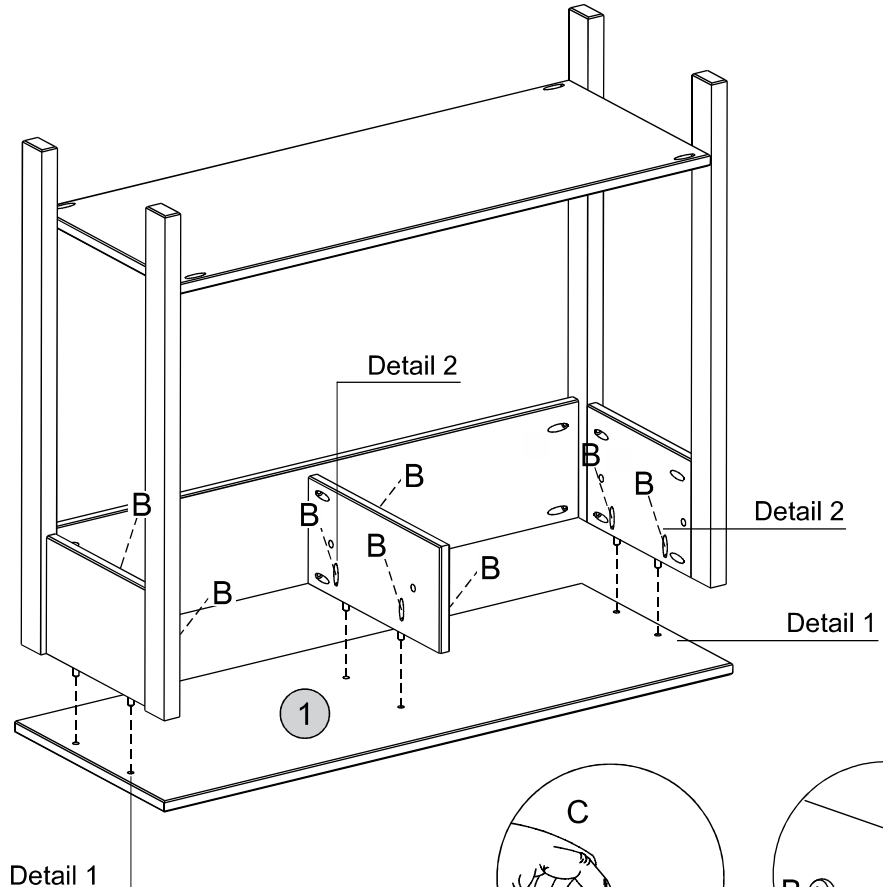
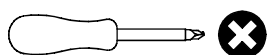


HARDWARE REQUIRED

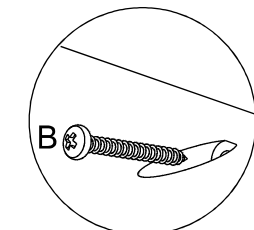
B  Ø3,5 x 30mm 08

C  Glue 01

TOOLS REQUIRED



Detail 1




Detail 2


STEP 11

PARTS REQUIRED

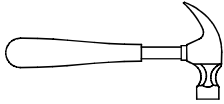
11 - Drawer Runner x4

HARDWARE REQUIRED

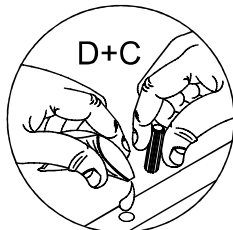
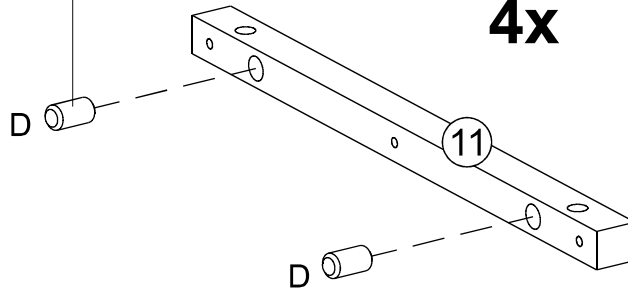
C  01
Glue

D  08
Ø10,0 x 20mm

TOOLS REQUIRED



Detail 3

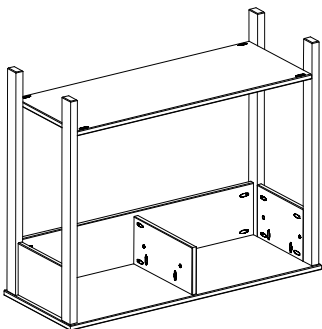


Detail 3

STEP 12

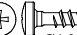
PARTS REQUIRED

11 - Drawer Runner x4

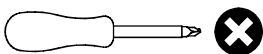


HARDWARE REQUIRED

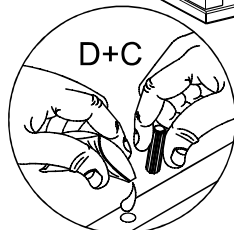
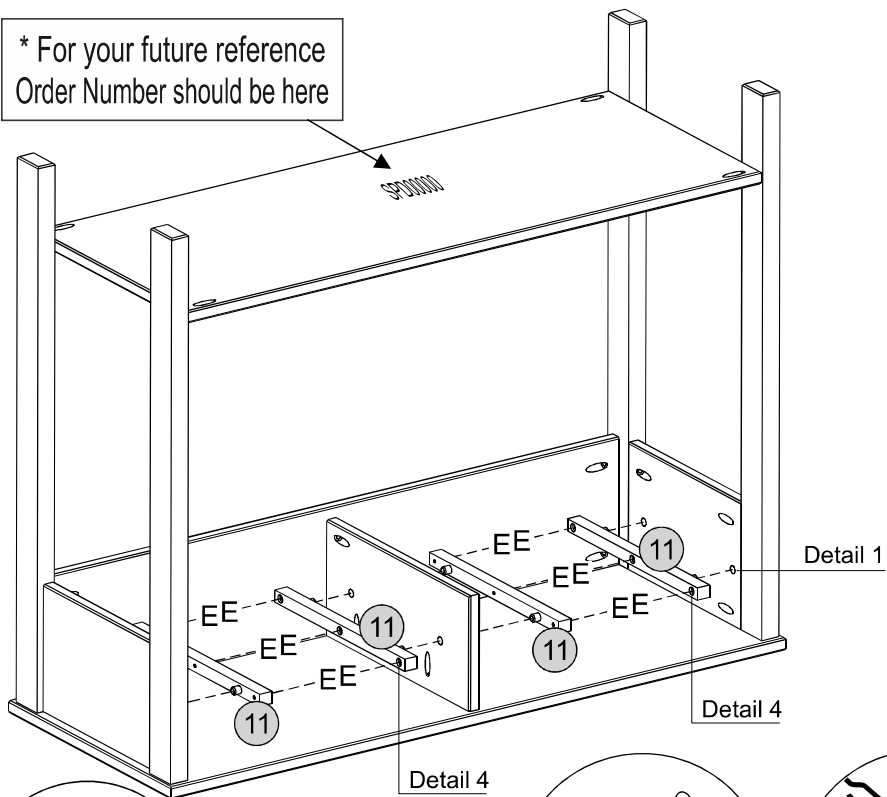
C  01
Glue

E  12
Ø4,0 x 25mm

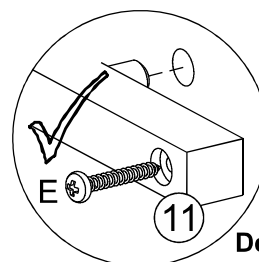
TOOLS REQUIRED



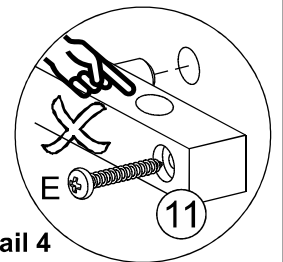
* For your future reference
Order Number should be here



Detail 1

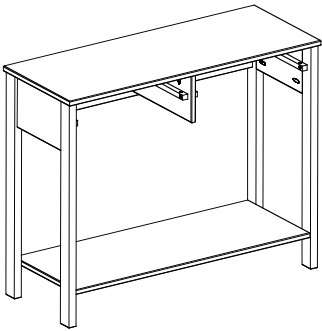


Detail 4

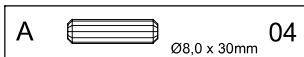


STEP 13

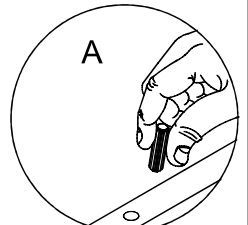
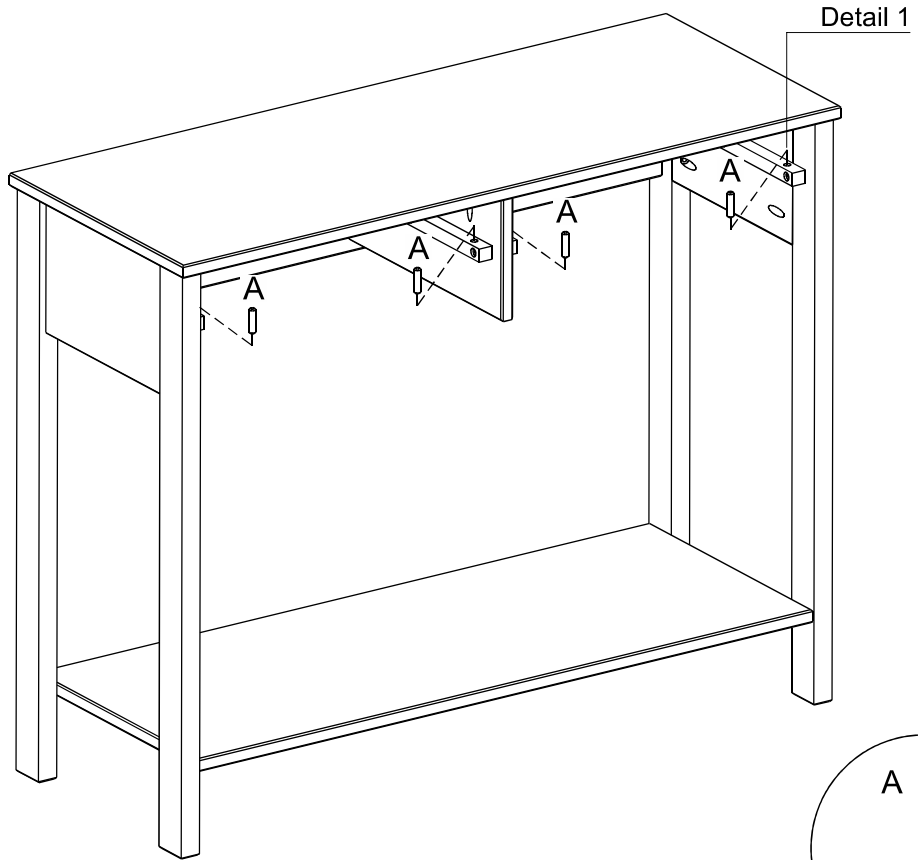
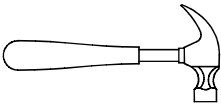
PARTS REQUIRED



HARDWARE REQUIRED



TOOLS REQUIRED



Detail 1

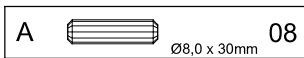
STEP 14

PARTS REQUIRED

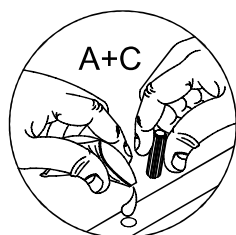
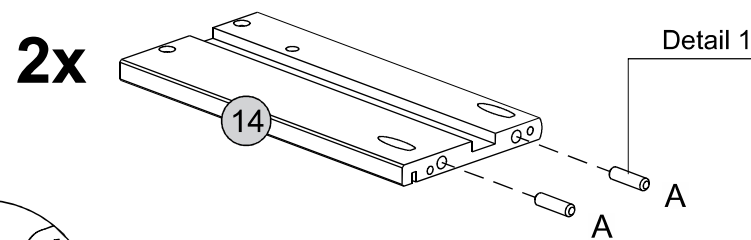
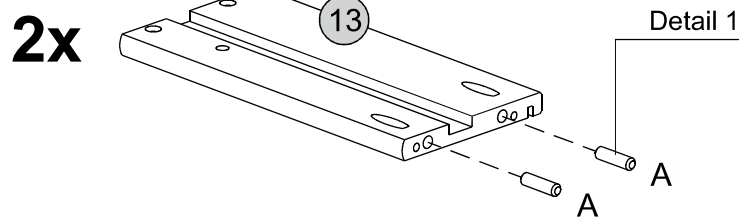
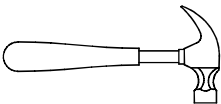
13 - Right Drawer Side x2

14 - Left Drawer Side x2

HARDWARE REQUIRED



TOOLS REQUIRED



Detail 1

STEP 15


PARTS REQUIRED

12 - Drawer Front x2

13 - Right Drawer Side x2

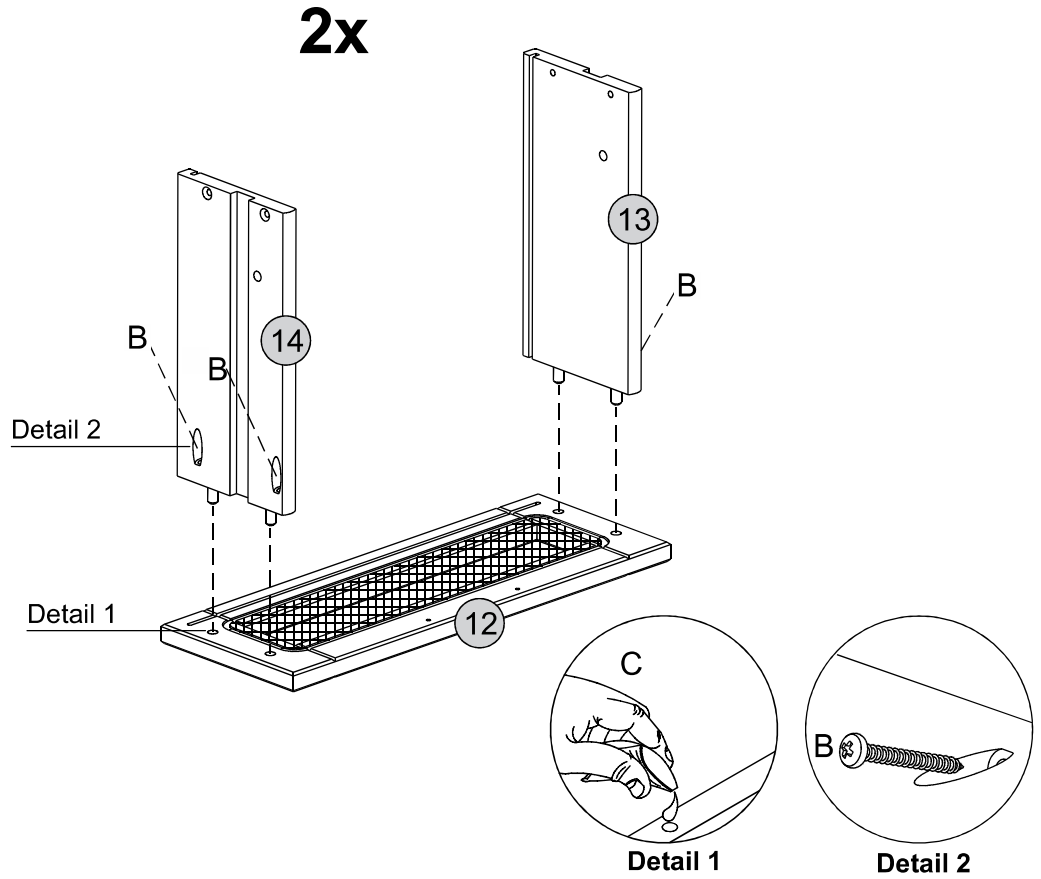
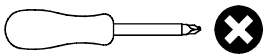
14 - Left Drawer Side x2

HARDWARE REQUIRED

B  08
Ø3,5 x 30mm

C  01
Glue

TOOLS REQUIRED

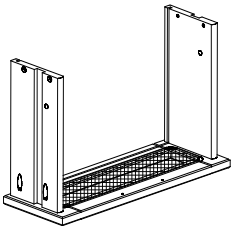


STEP 16


PARTS REQUIRED

15 - Drawer Bottom x2

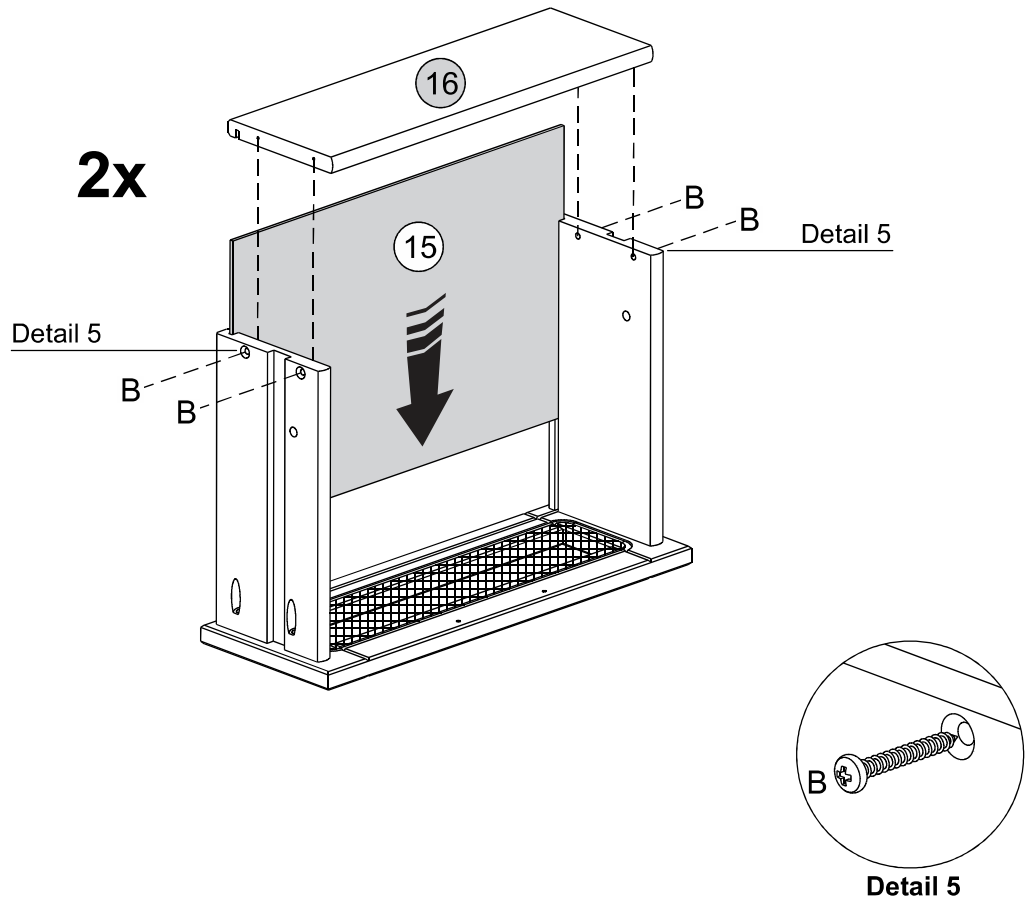
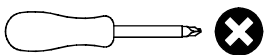
16 - Drawer Back Panel x2



HARDWARE REQUIRED

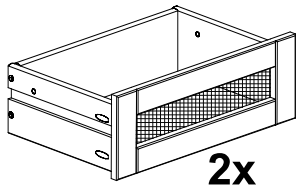
B  08
Ø3,5 x 30mm

TOOLS REQUIRED

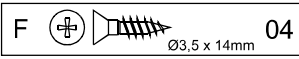


STEP 17

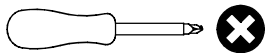
PARTS REQUIRED



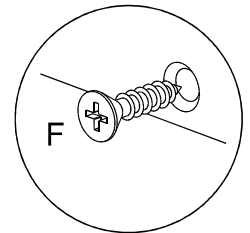
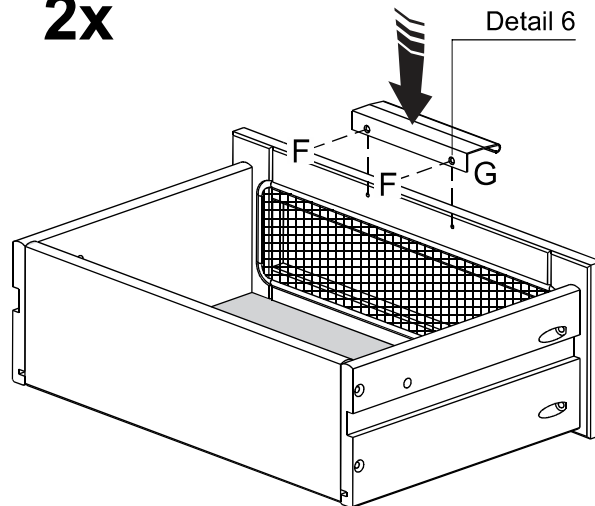
HARDWARE REQUIRED



TOOLS REQUIRED



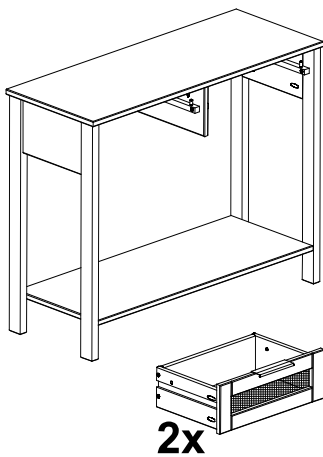
2x



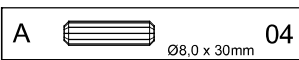
Detail 6

STEP 18

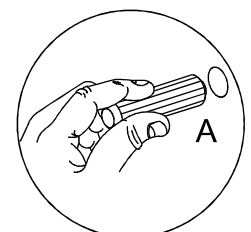
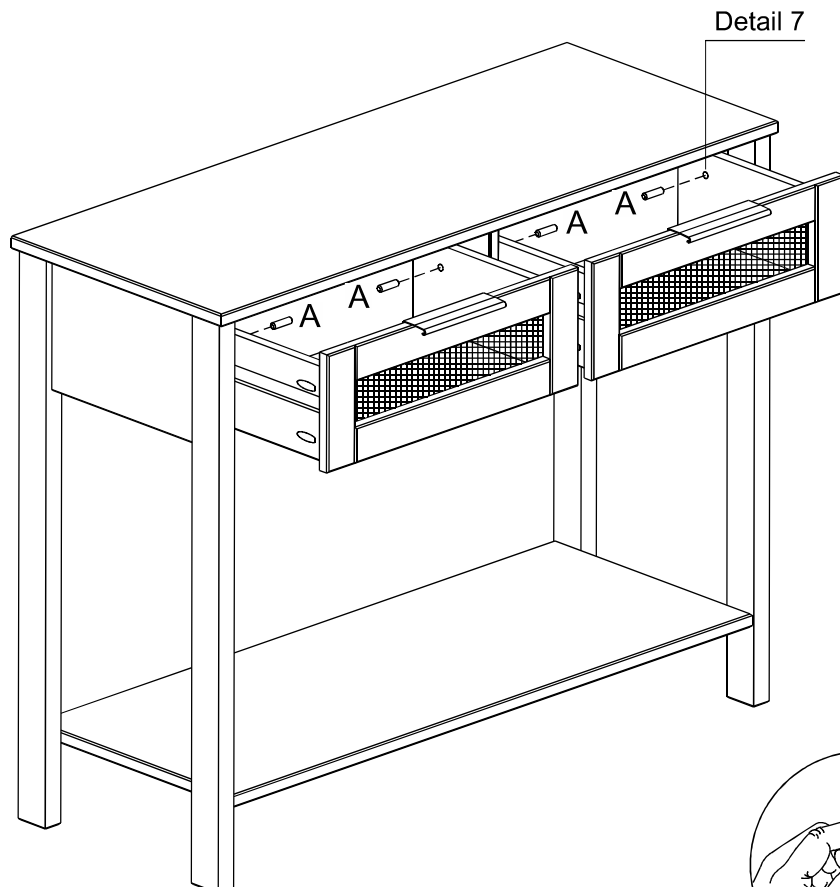
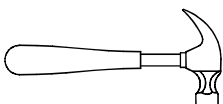
PARTS REQUIRED



HARDWARE REQUIRED



TOOLS REQUIRED

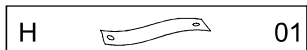
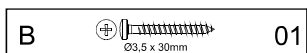


Detail 7

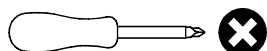
STEP 19

PARTS REQUIRED

HARDWARE REQUIRED



TOOLS REQUIRED



WARNING

Serious or fatal injuries can occur from furniture tipping over. To prevent the furniture from tipping over we recommend that it is permanently fixed to the wall.

Wall fixings are not supplied with this product as different wall materials require different types of fixing devices. Please make sure you use fixings suitable for the walls in your home.

