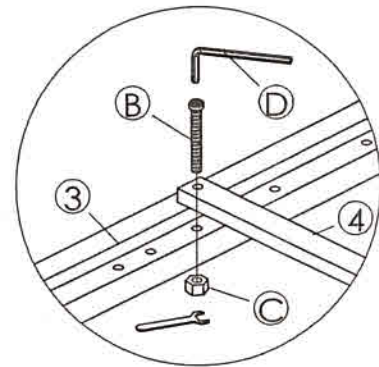
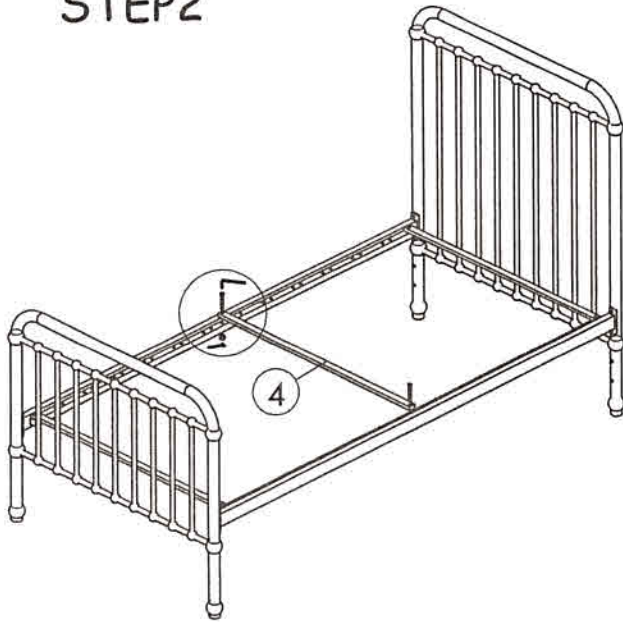
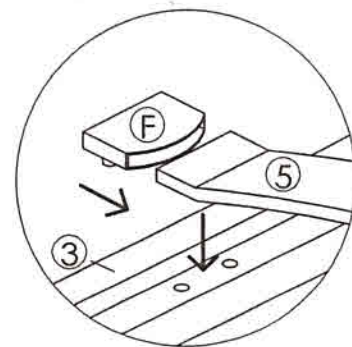


STEP 2



2. Attach the width bars [4] to the side rails [3]. Tightly secure the width bar [4] using the 1/4"x50mm screw[B] and nut[C].

STEP 3



3. Insert the slats [5] into the end slat cap [F] and fix it to the corresponding holes on the side rail.

Any questions? Call our friendly customer service team on (0115)9702 137
(Open from 9am-5pm Mon-Fri).