

Read this instruction carefully. See hardware and furniture part list for guidance. Be sure all parts are complete, before you assemble. Place all wooden furniture parts on a clean and flat soft surface to prevent from being scratched. Follow the figure to start assembling.

- CAUTIONS :**
1. Do not FULLY - TIGHTEN the nut or nut bolt until all nut or bolt is ready assembled.
 2. Do not OVER - TIGHTEN the nut or bolt to avoid causing damages to the thread.
 3. Keep all hardware parts out of reach of children.

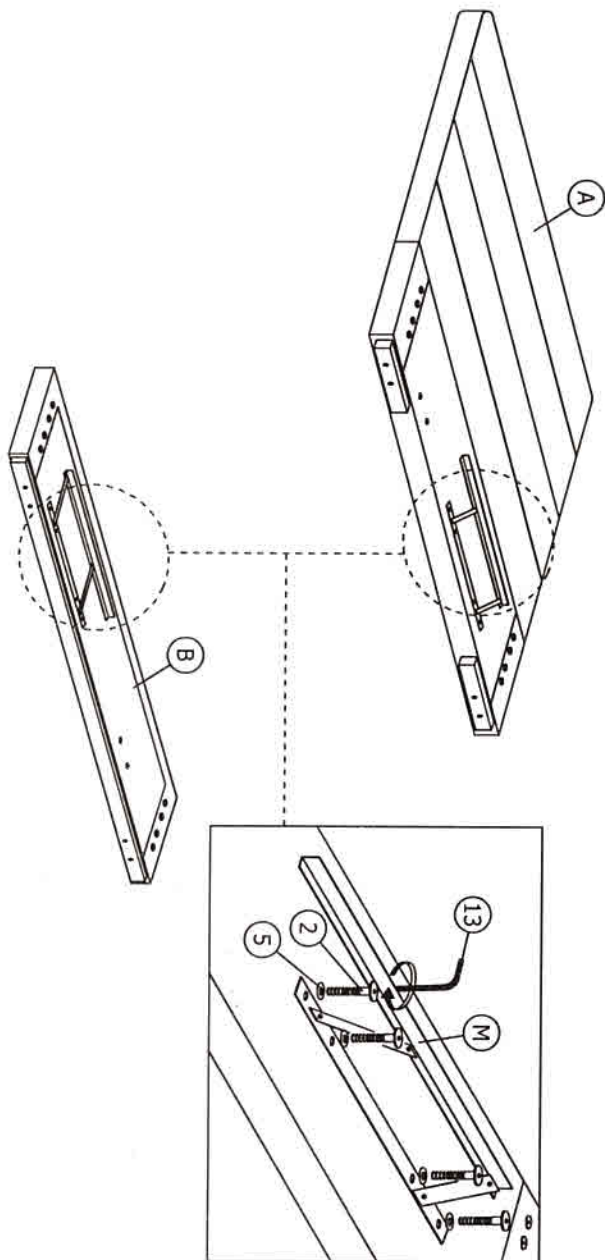
NOTE : THE LIST AND QUANTITY SHOWN ARE FOR 1 UNIT ASSEMBLY.
PLEASE USE THE ABOVE CHECK LIST TO ENSURE ALL HARDWARE IS INCLUDED.

Tool needed : Screwdriver (not provider).

PART LIST		
ITEM	DESCRIPTION	QTY
A	HEADBOARD	1 PC
B	FOOTBOARD	1 PC
C	SIDE RAIL	2 PCS
D	BED LEG	4 PCS
E	HANDLE	2 PCS
F	METAL FRAME	1 SET
G	BED SLAT	24 PCS
H	PP TAPE	1 PC
I	GAS SPRING	2 PCS
J	HORIZONTAL SUPPORT WOOD	5 PCS
K	SIDE RAIL SUPPORT WOOD	4 PCS
L	BOTTOM SUPPORT BOARD	4 PCS
M	METAL (H/B/FB)	2 PCS
N	METAL SUPPORT LEG	1 PC

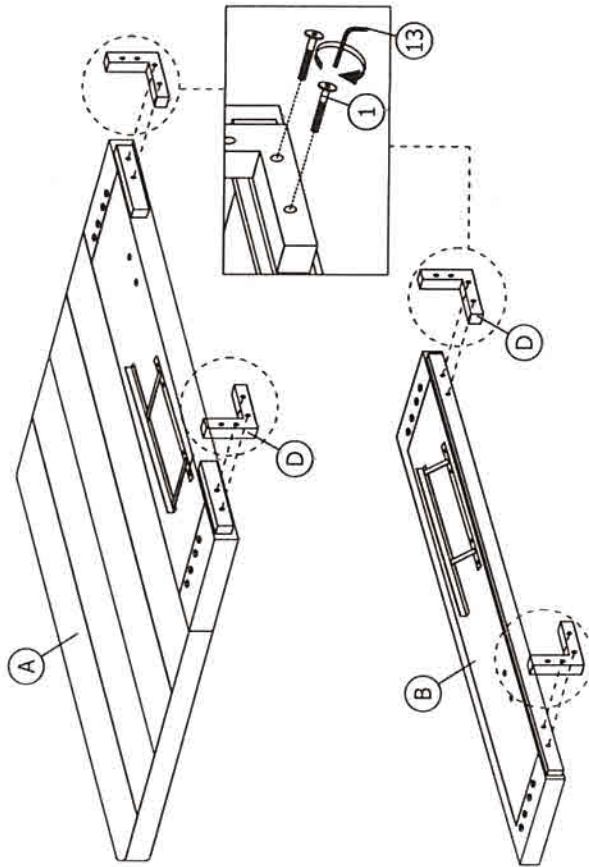
HARDWARE LIST		
ITEM	DESCRIPTION	QTY
1	JCBG BOLT M6 x 40mm (BLACK)	10 PCS
2	JCBG BOLT M6 x 50mm	18 PCS
3	JCBG BOLT M8 x 40mm (BLACK)	6 PCS
4	JCBG BOLT M8 x 70mm (BLACK)	12 PCS
5	M6 FLAT WASHER	8 PCS
6	M8 FLAT WASHER (BLACK)	22 PCS
7	M8 SPRING WASHER (BLACK)	22 PCS
8	BED SLAT CENTER FITTER	24 PCS
9	BED SLAT SIDE FITTER	12 PCS
10	M6 HEX NUT (BLACK)	2 PCS
11	M8 HEX NUT (BLACK)	22 PCS
12	M8 PLASTIC COVER	8 PCS
13	M4 ALLEN KEY (BALL SHAPE)	1 PC
14	M5 ALLEN KEY (BALL SHAPE)	1 PC
15	SPANNER (10mm)	1 PC
16	SPANNER (13mm)	1 PC

STEP 1

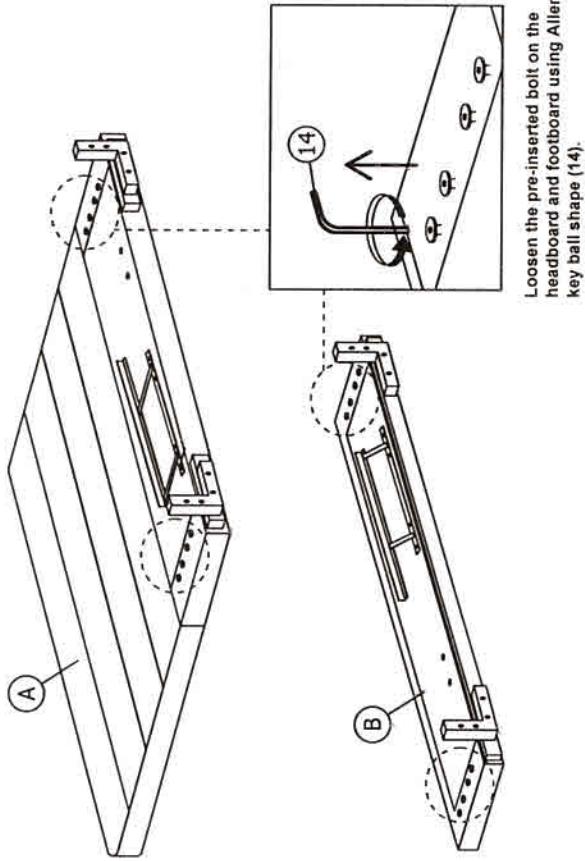


ASSEMBLY INSTRUCTIONS

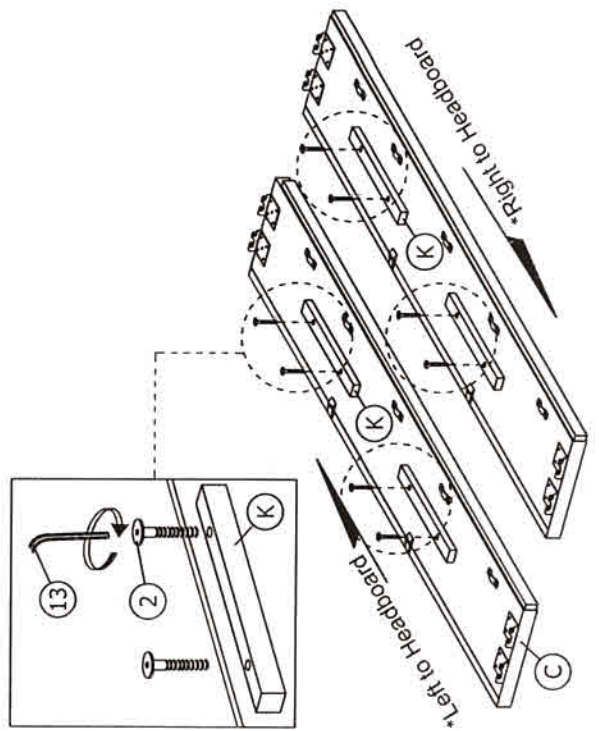
STEP 2



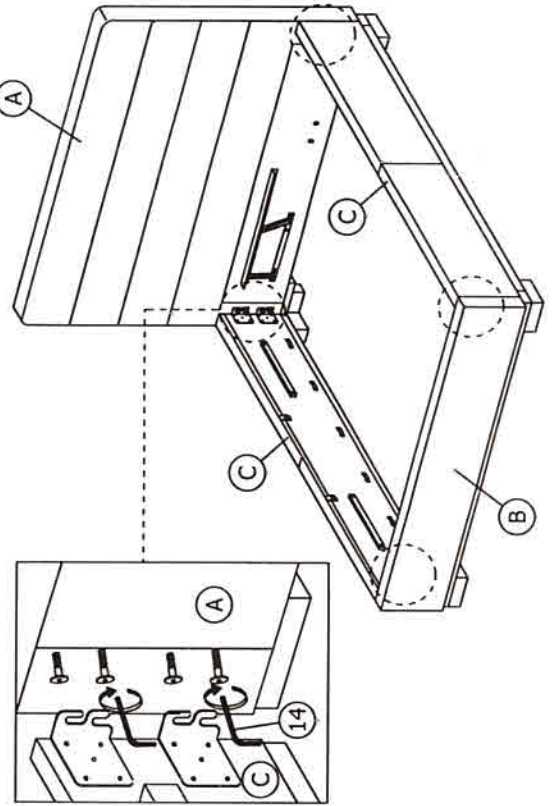
STEP 3



STEP 4

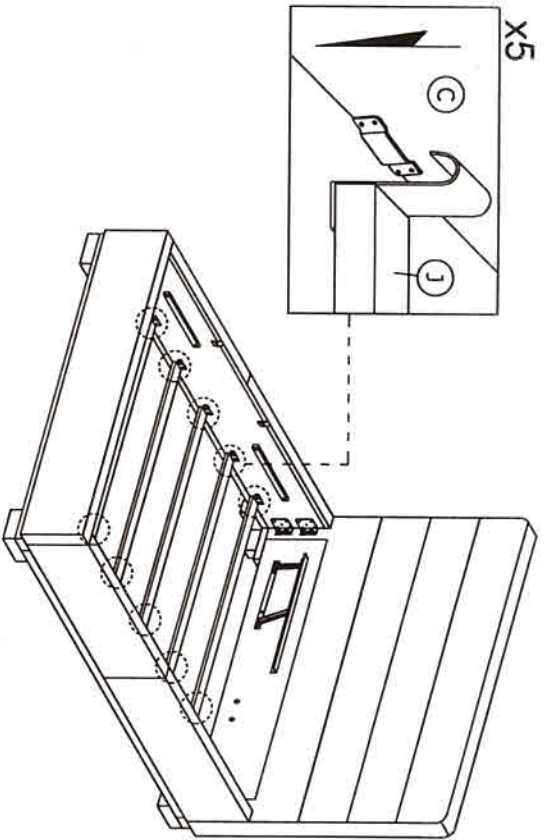


STEP 5

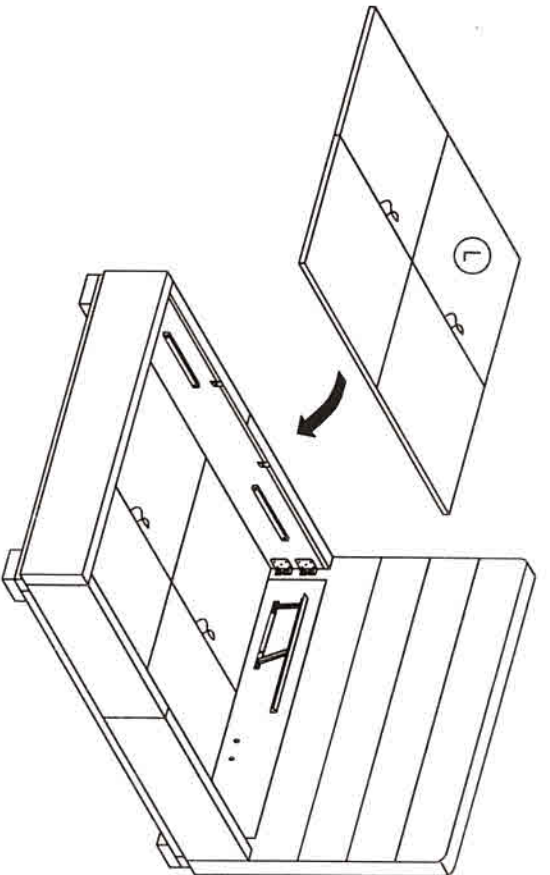


ASSEMBLY INSTRUCTIONS

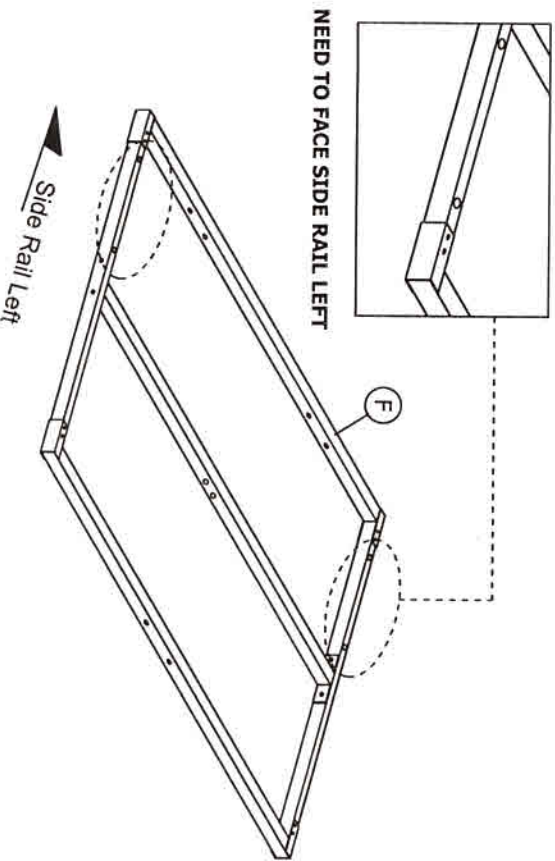
STEP 6



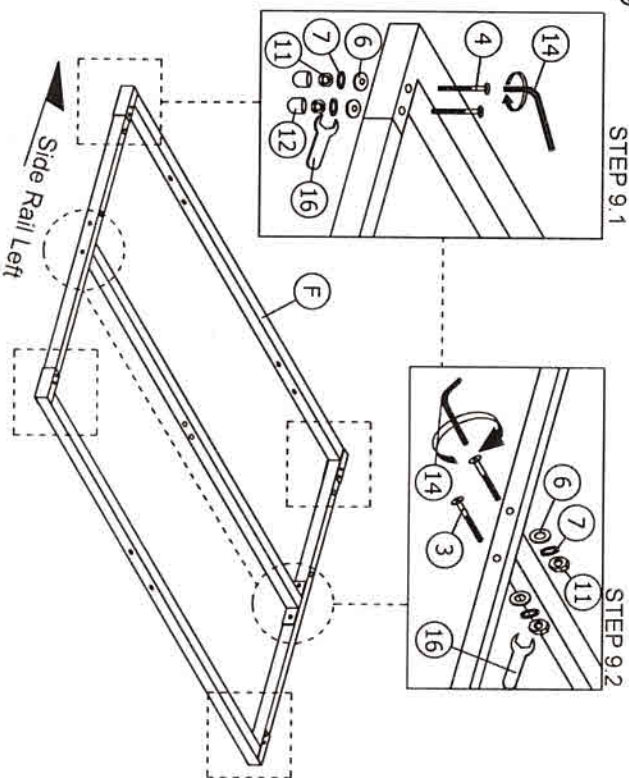
STEP 7



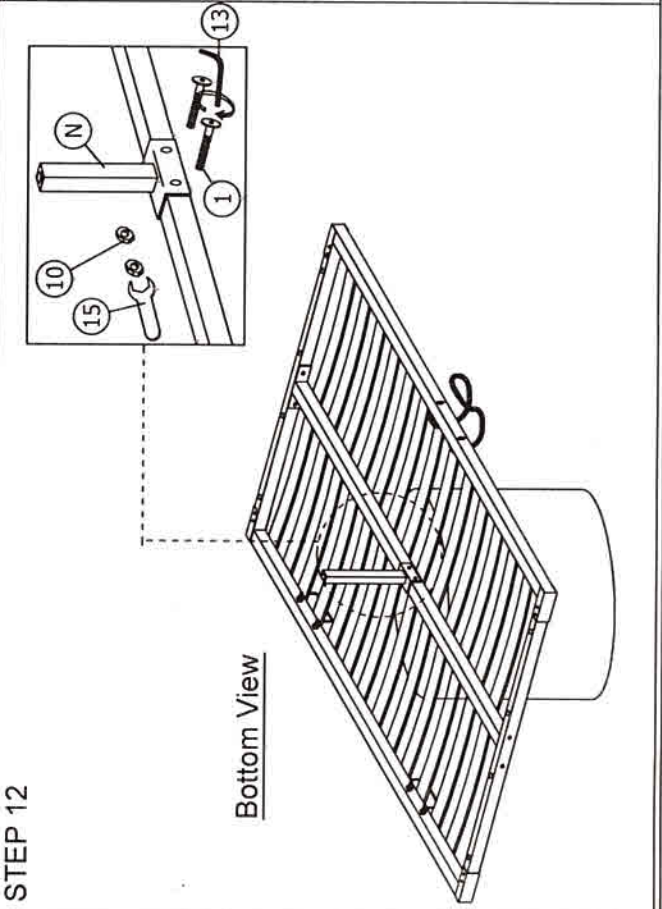
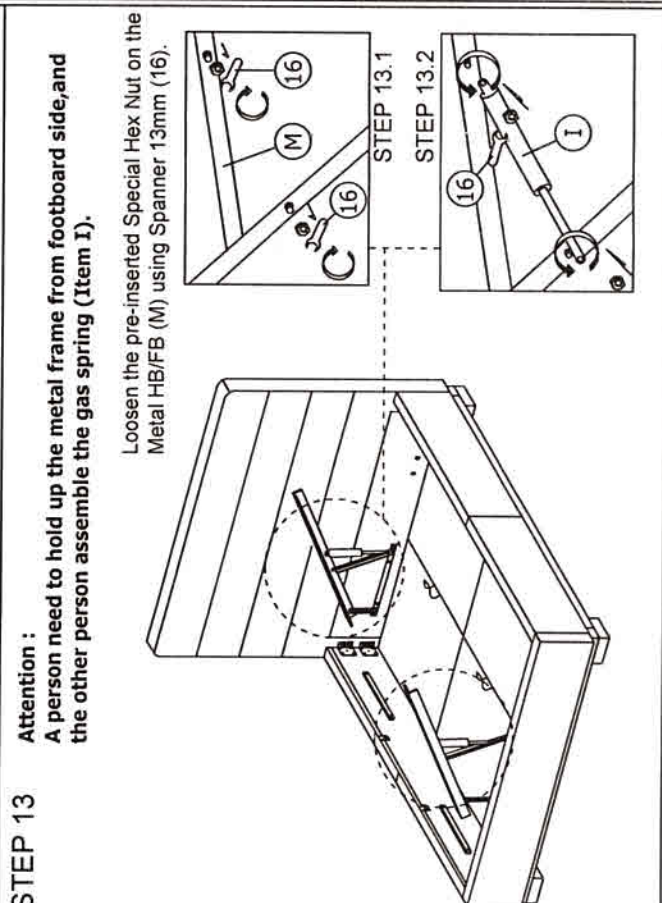
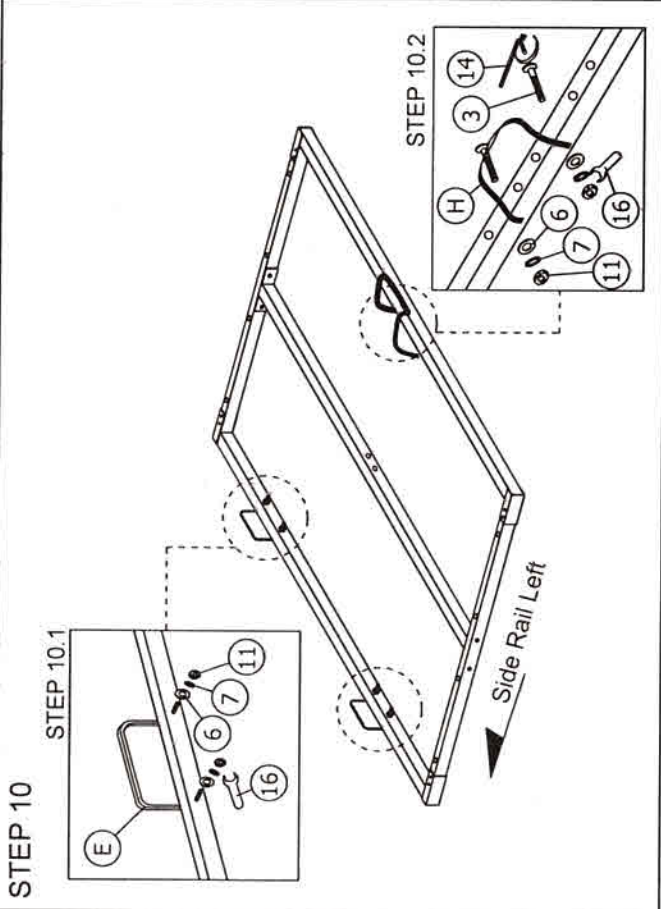
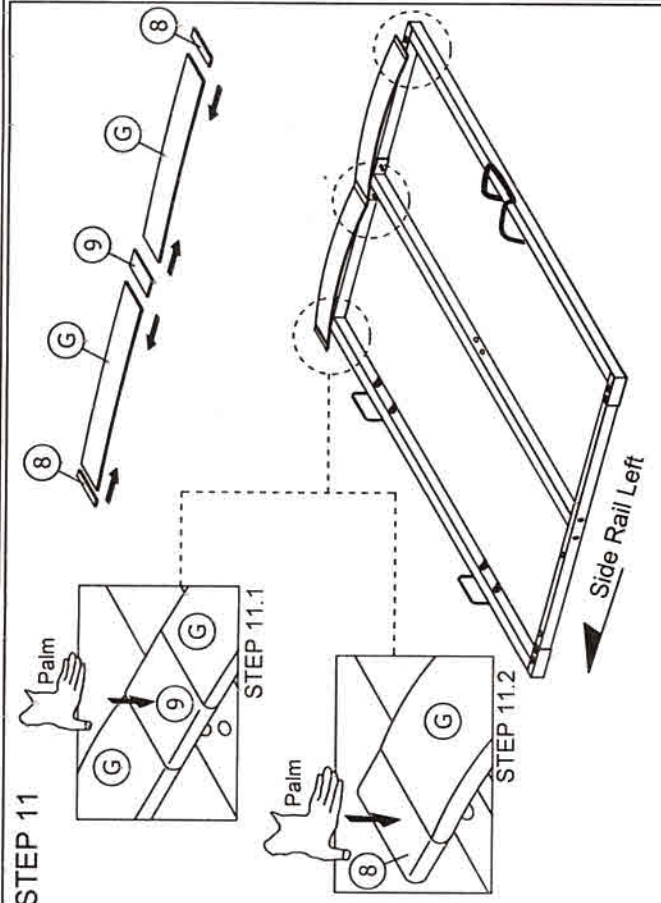
STEP 8



STEP 9



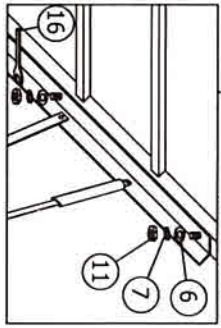
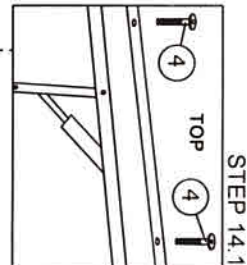
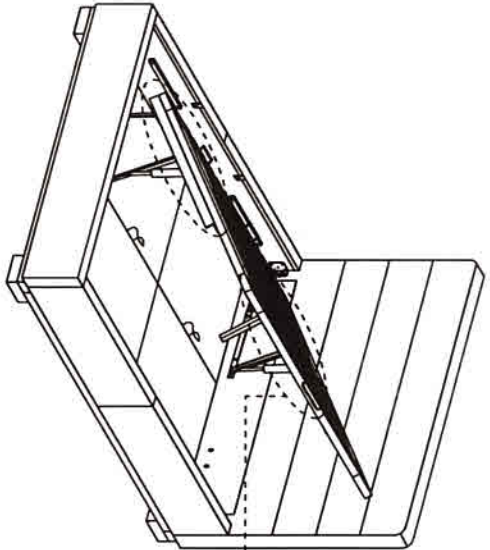
ASSEMBLY INSTRUCTIONS



ASSEMBLY INSTRUCTIONS

STEP 14

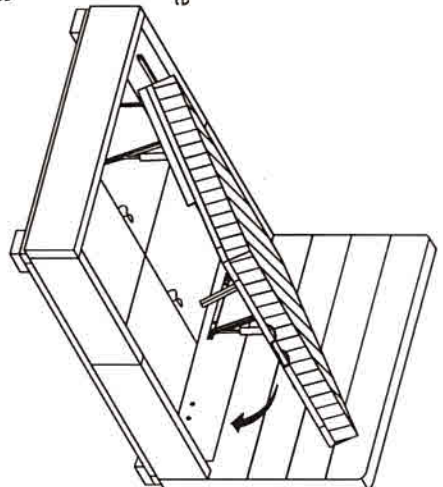
Note : This step requires two people.



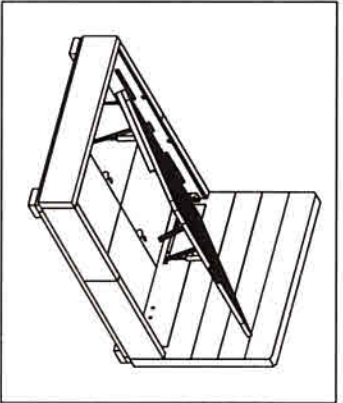
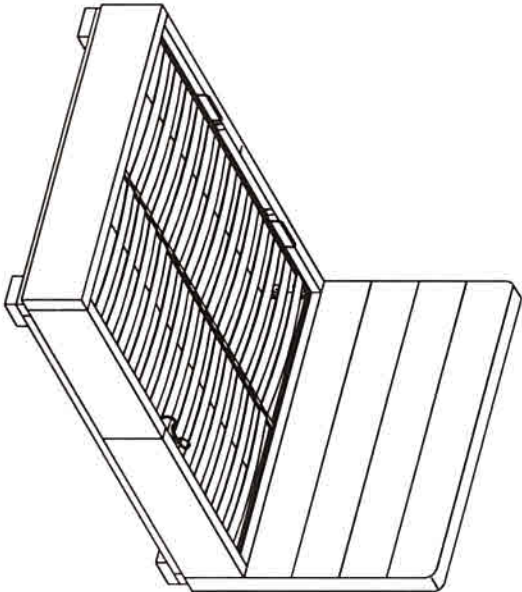
STEP 15

Attention :

1. This 4FT6 size bed supports mattress weight 35 - 55kgs.
2. Place your mattress onto the bed frame BEFORE closing or this could result in damage to the bed (MATTRESS NOT INCLUDED).
3. It is imperative that the bed is aligned squarely to prevent the frame from catching on and damaging the upholstered side rails. Please use extra caution when opening and closing the bed for the first few times. Ensure a similar spacing on each side of the frame. Ensure open and close the bed frame thru center of bed by using PP tape on center of metal frame.



STEP 16



Attention :
To ensure your bed frame remains in optimum condition, please periodically check all the screw and re-tightening if necessary.