

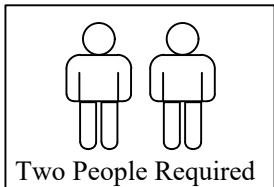
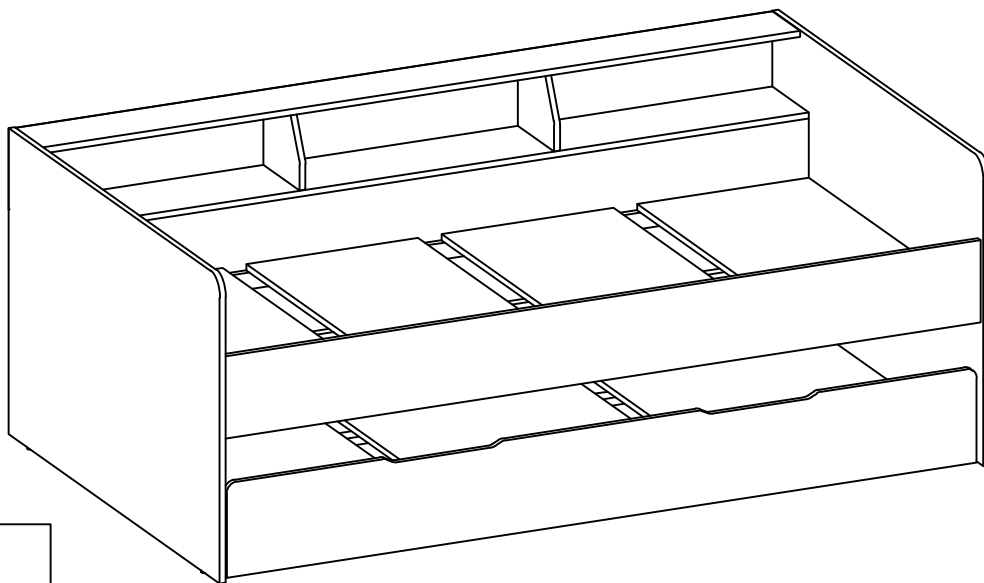
**IMPORTANT  
KEEP FOR FUTURE REFERENCE & READ CAREFULLY**

# **JDB01 DAYBED**

Follow us on  
facebook



[www.facebook.com/kidsaw](http://www.facebook.com/kidsaw)



## **INSTRUCTIONS**

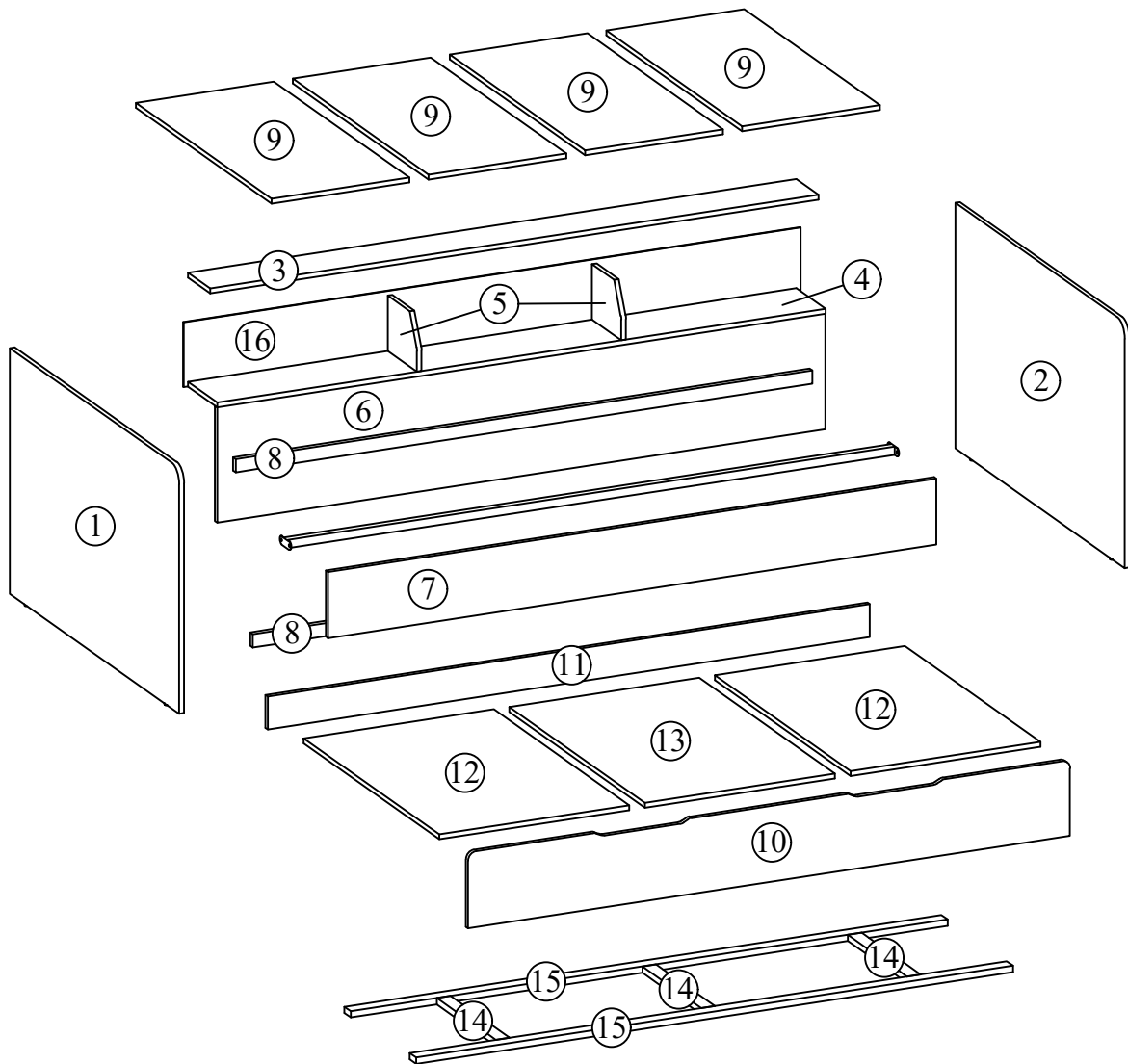
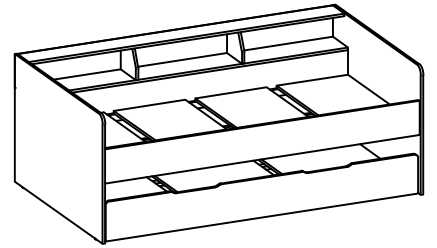
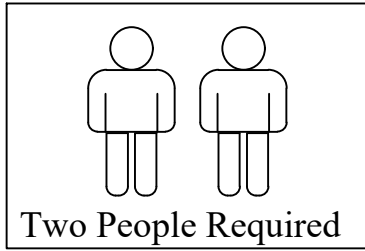
# **KIDSAW<sup>®</sup>**

**MAKES FURNITURE CHILDS' PLAY**

**Kidsaw Ltd**

**+44 (0)116 2519551 Email: [support@kidsaw.co.uk](mailto:support@kidsaw.co.uk)**

**[www.kidsaw.co.uk](http://www.kidsaw.co.uk)**



## PARTS LIST

Carton 1 of 4:

Part	Description	Qty
9	Base Panel	4
12	Trundle Bed Base Panel	2

Carton 2 of 4:

Part	Description	Qty
1	Side Panel (Left)	1
2	Side Panel (Right)	1
5	Shelf Support Panel	2
13	Trundle Bed Base Panel	1














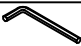





Carton 3 of 4:

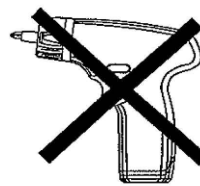
Part	Description	Qty
7	Front Guardrail	1
10	Trundle Bed Front Guardrail	1
11	Trundle Bed Back Guardrail	1
16	Back Panel	1

Carton 4 of 4:

Part	Description	Qty
3	Shelf Top Panel	1
4	Shelf Panel	1
6	Back Guardrail	1
8	Base Support Rail	2
14	Trundle Bed Base Support (Short)	3
15	Trundle Bed Base Support (Long)	2

## HARDWARE LIST: Carton 1 of 4

Part	Description	Qty
A	M5 x 40mm UNITAR SCREW 	12
B	STEEL NUT M6 	8
C	JCN M6 	14
D	PVC NAIL 5/8" 	4
E	METAL CENTER PIPE 	1
F	JCBC SCREW M6 x 12mm 	8
G	JCBC SCREW M6 x 25mm 	6
H	JCBC SCREW M6 x 30mm 	4
I	JCBC SCREW M6 x 50mm 	8
J	WOOD DOWEL M6 x 25mm 	28
K	CAM NUT 15mm 	27
L	CAM BOLT 	27
M	CSK SCREW M4 x 38 mm 	16
N	M6 ALLEN KEY 	2
O	CSK SCREW M3.5 x 16 mm 	28
P	CSK SCREW M4 x 30 mm 	24
Q	NYLON CASTOR 40-STOP 	8
R	METAL L-BRACKET P80 	3
S	NAIL 	20



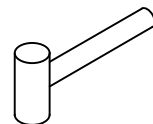
**\*\* WARNING: THE USE OF POWER TOOLS TO ASSEMBLE THIS PRODUCT WILL INVALIDATE ANY CLAIM AND MAY DAMAGE THIS PRODUCT MAKING IT UNSAFE.**

**\*\* You will need a screwdriver and a small mallet ( NOT provided)**

Tools You Need:








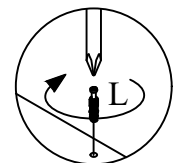
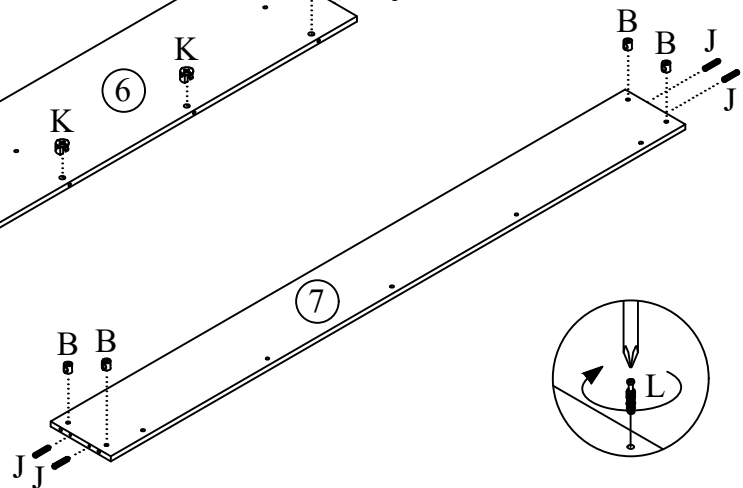
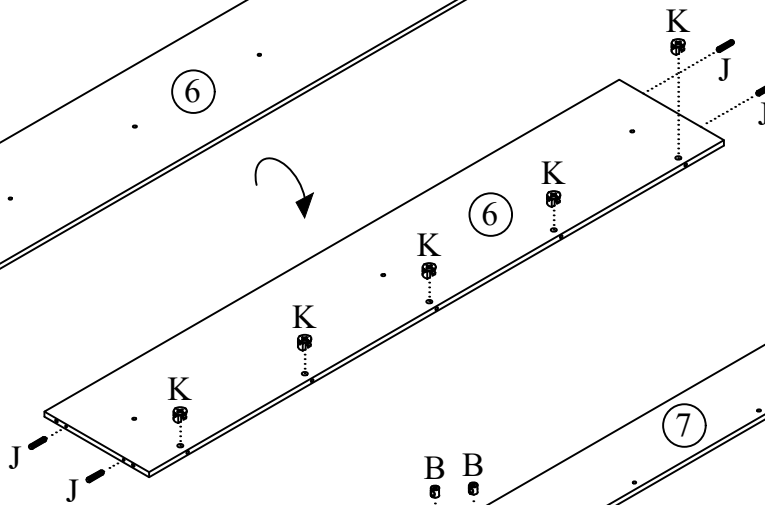
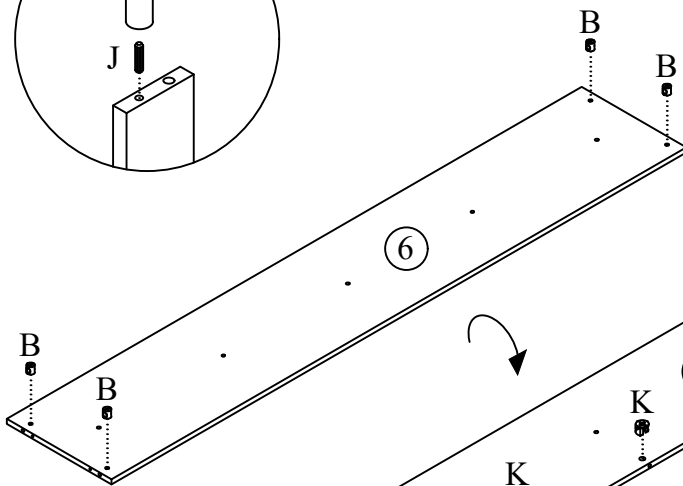
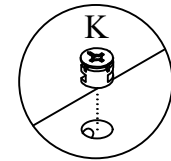
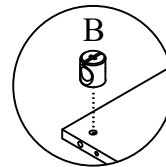
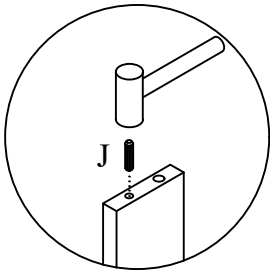
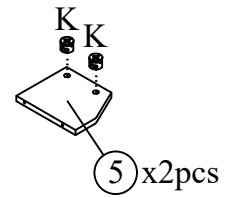
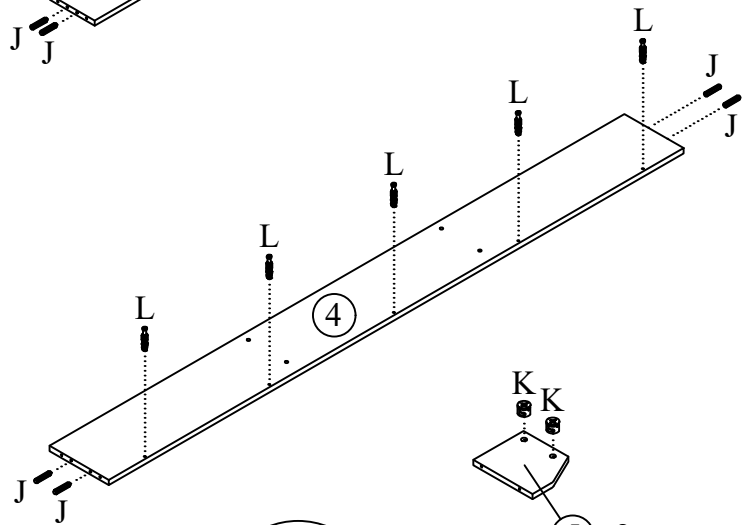
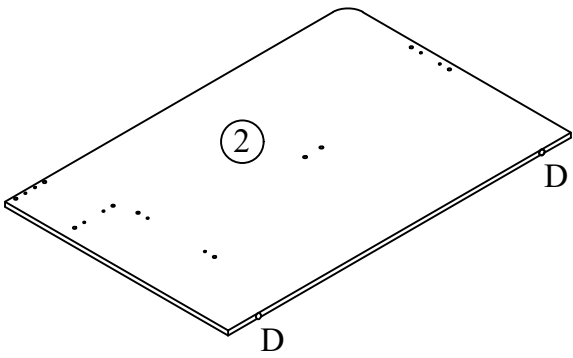
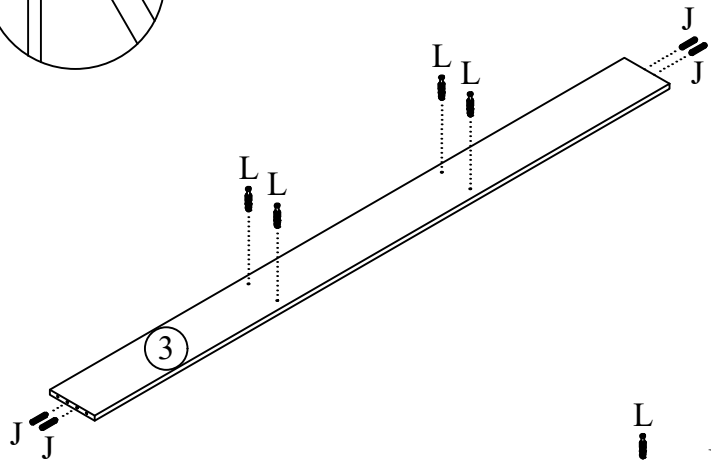
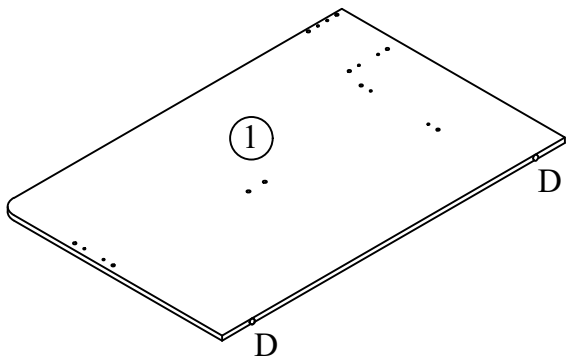
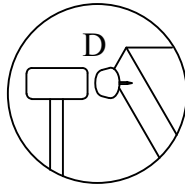
Philips Head Screwdriver



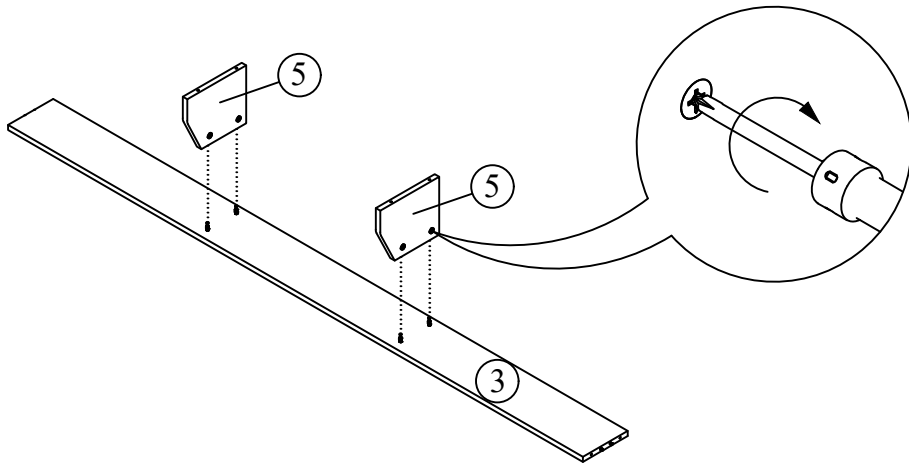
Soft Head Mallet

1

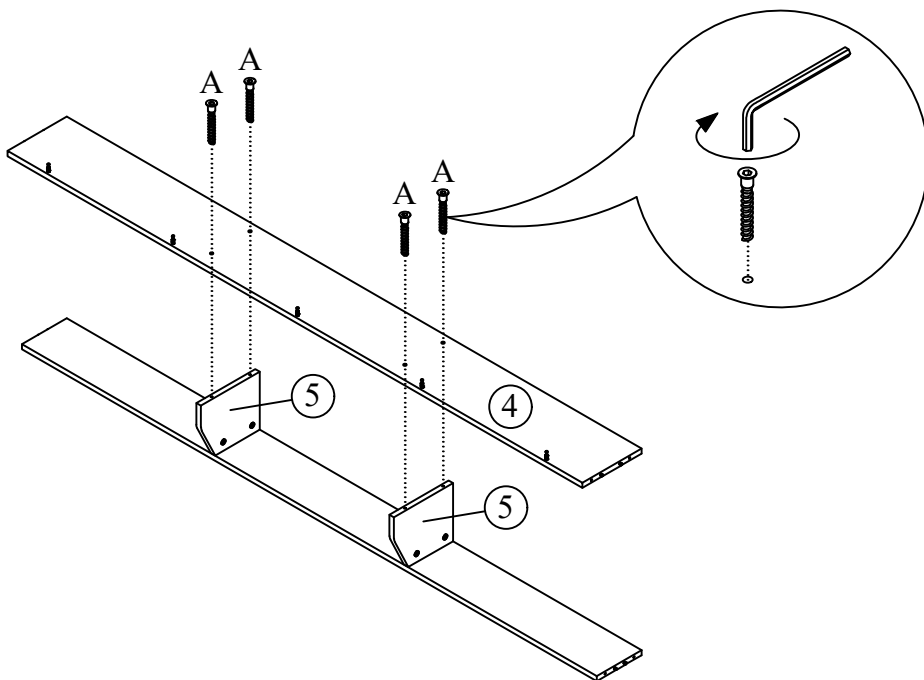
B		8
D		4
J		16
K		9
L		9



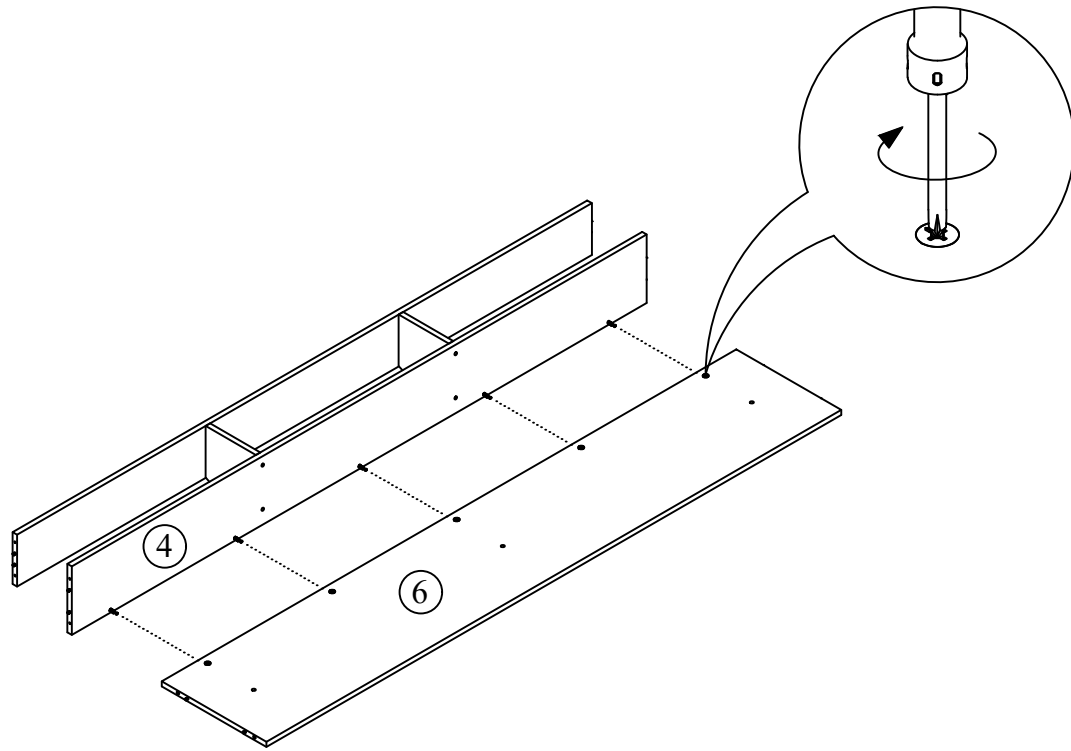
2





3

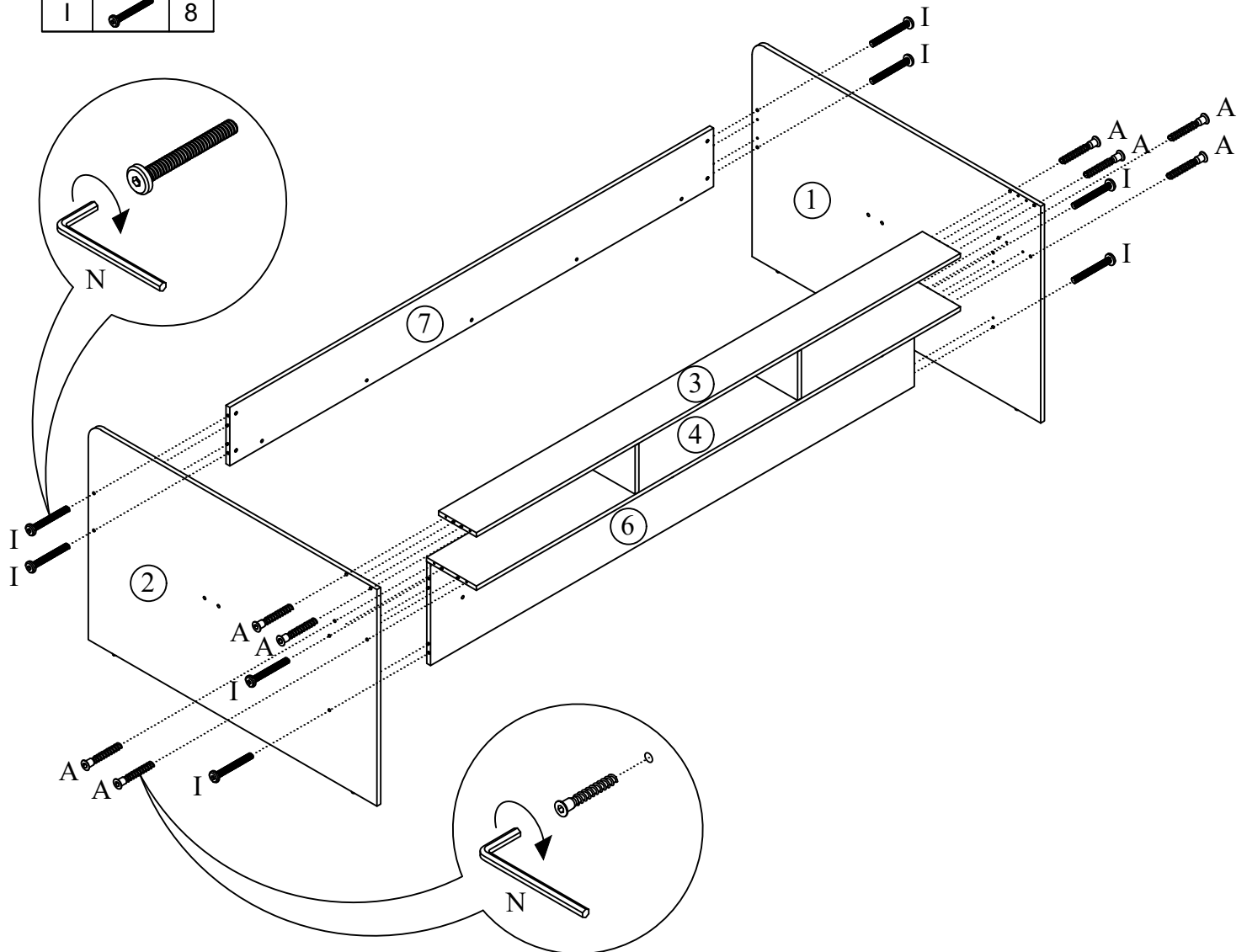


4



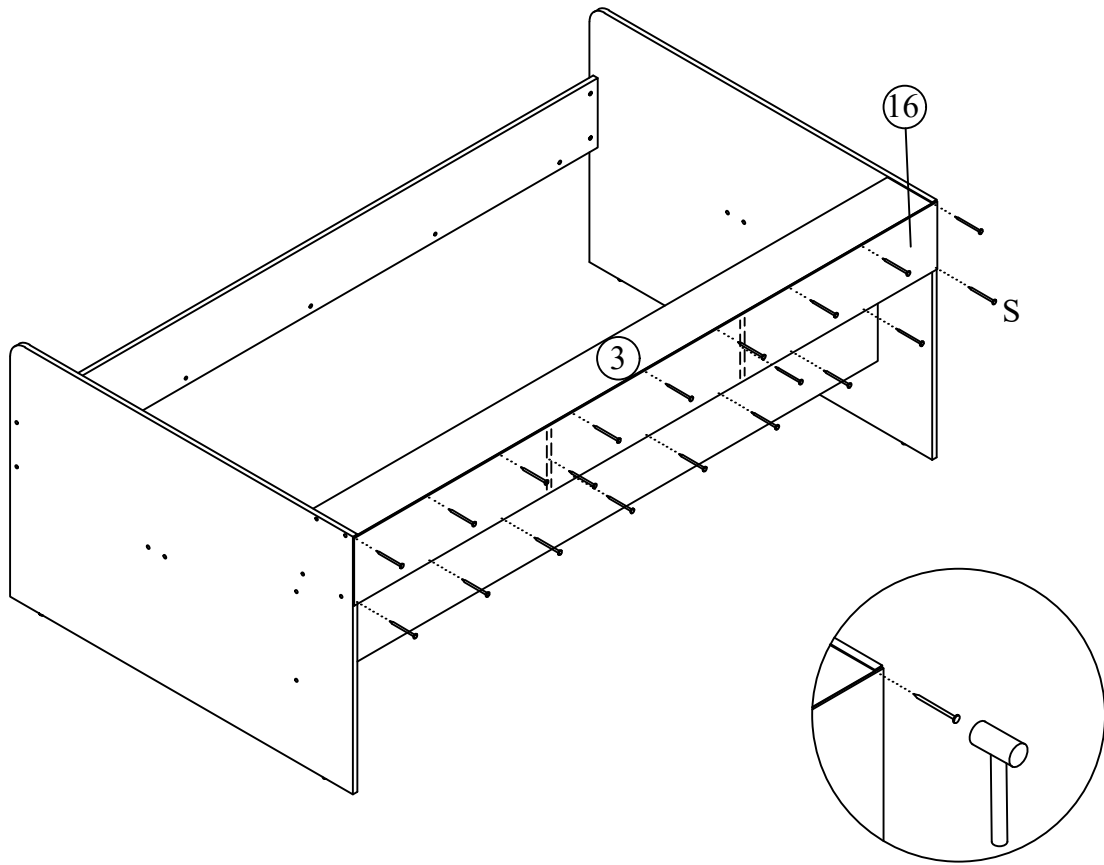
5




A		8
I		8

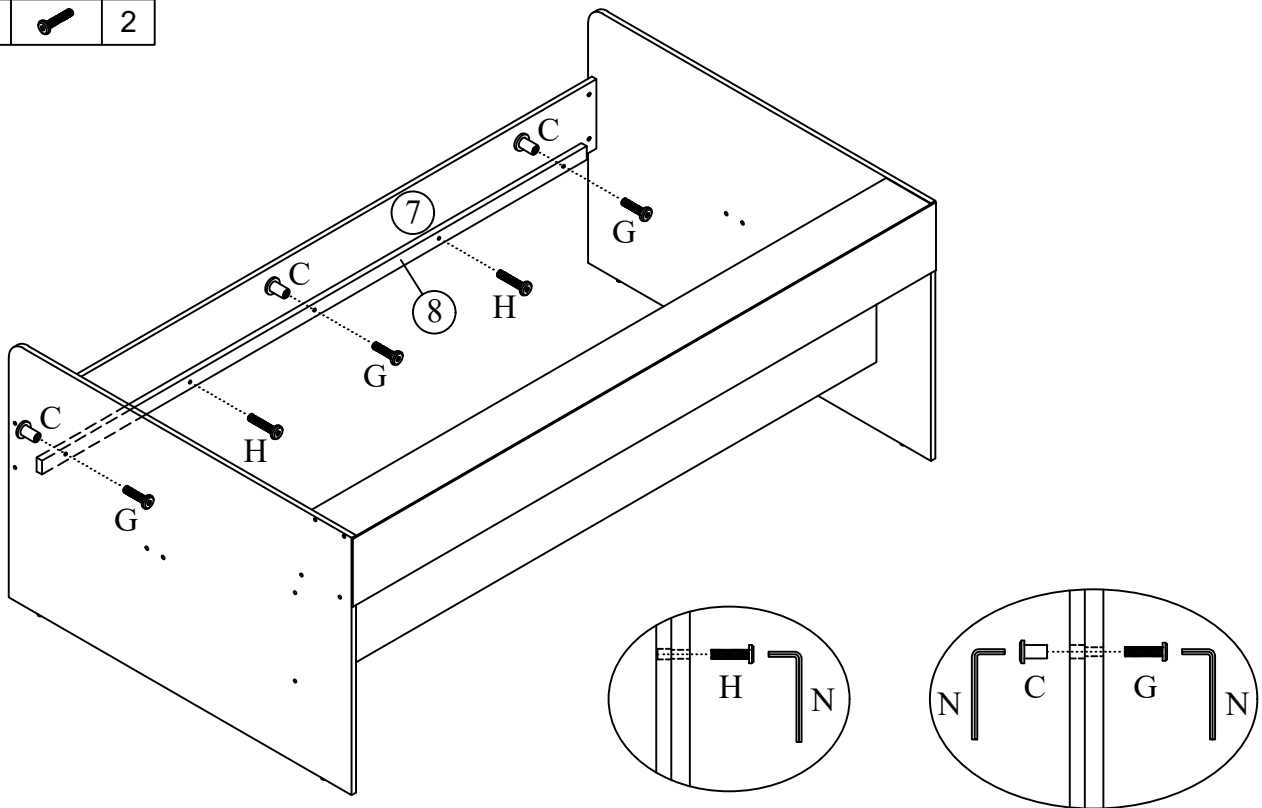


**6**




S		20
---	---	----

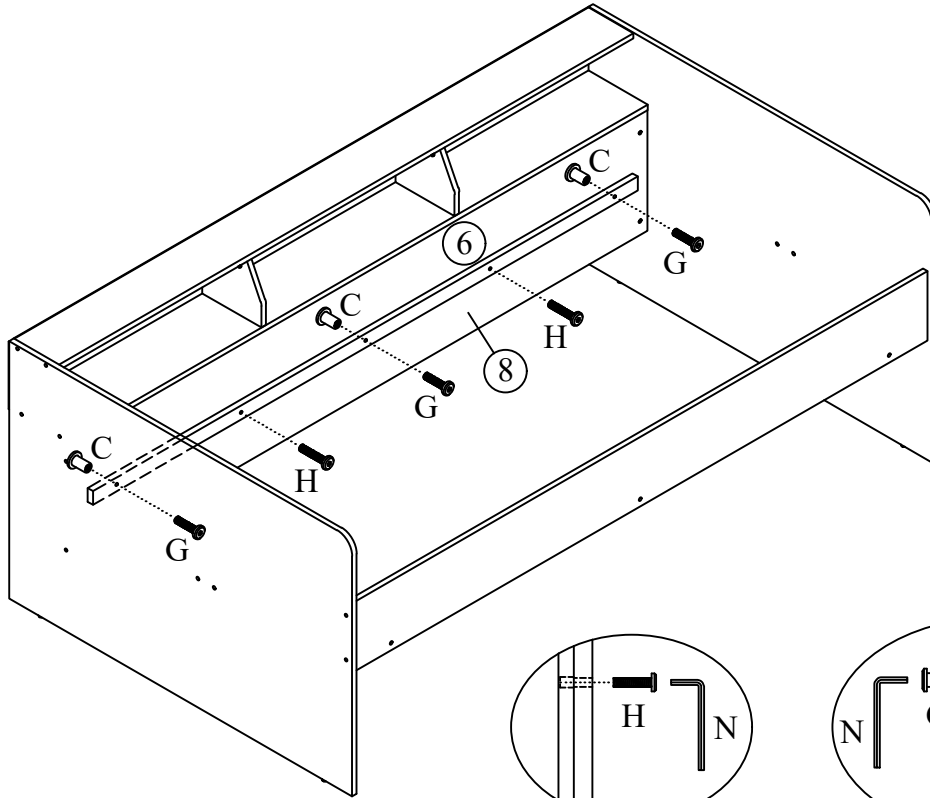
**7**


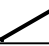

C		3
G		3
H		2

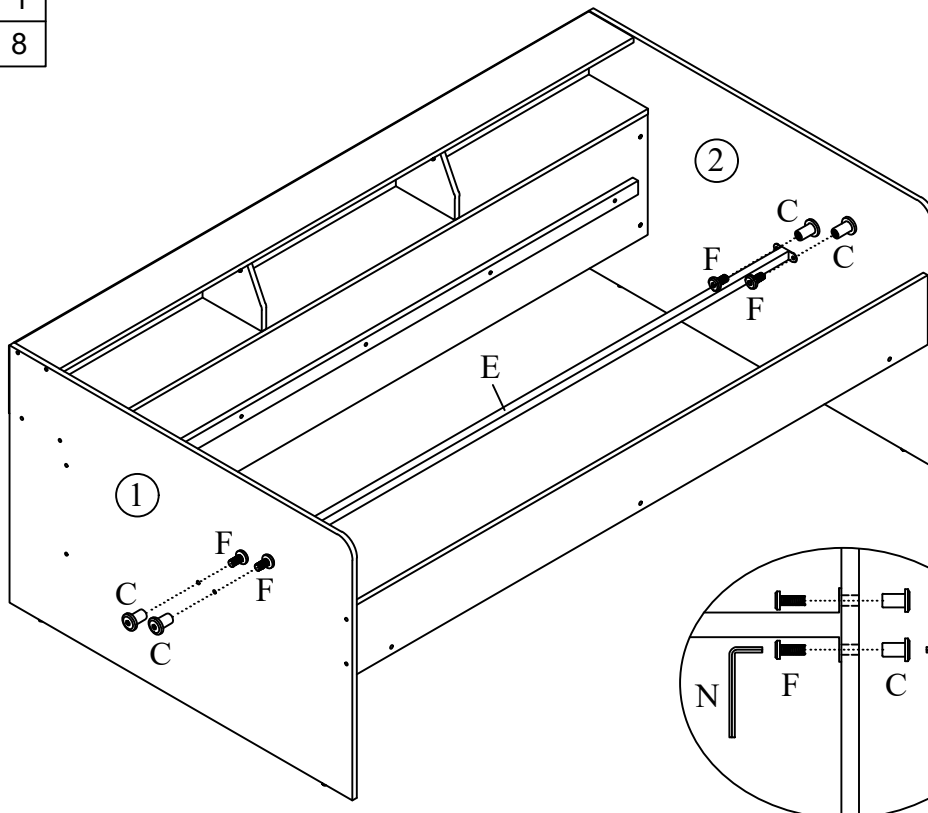


**8**

C		3
G		3
H		2

**9**

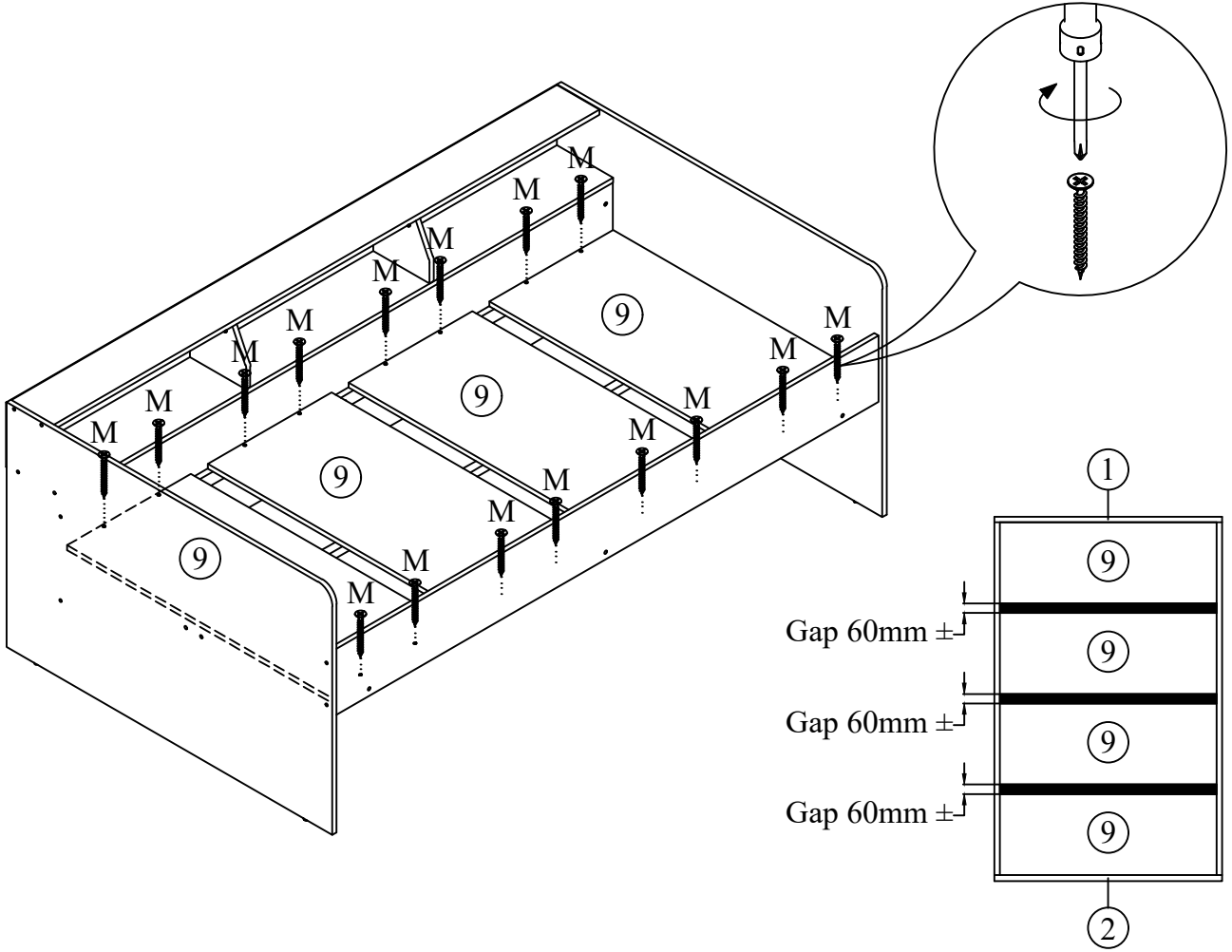
C		8
E		1
F		8








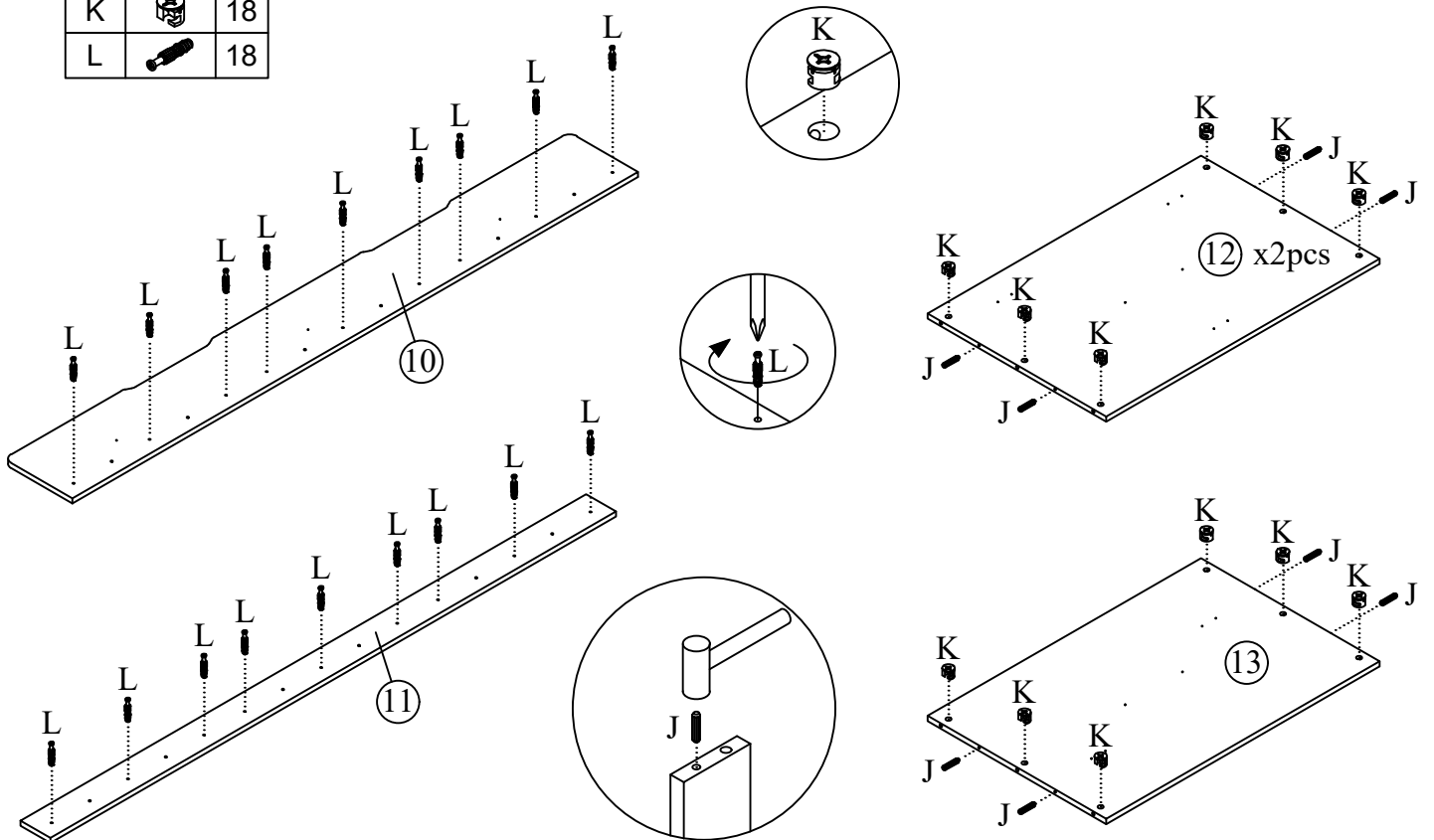
10

M		16
---	---	----





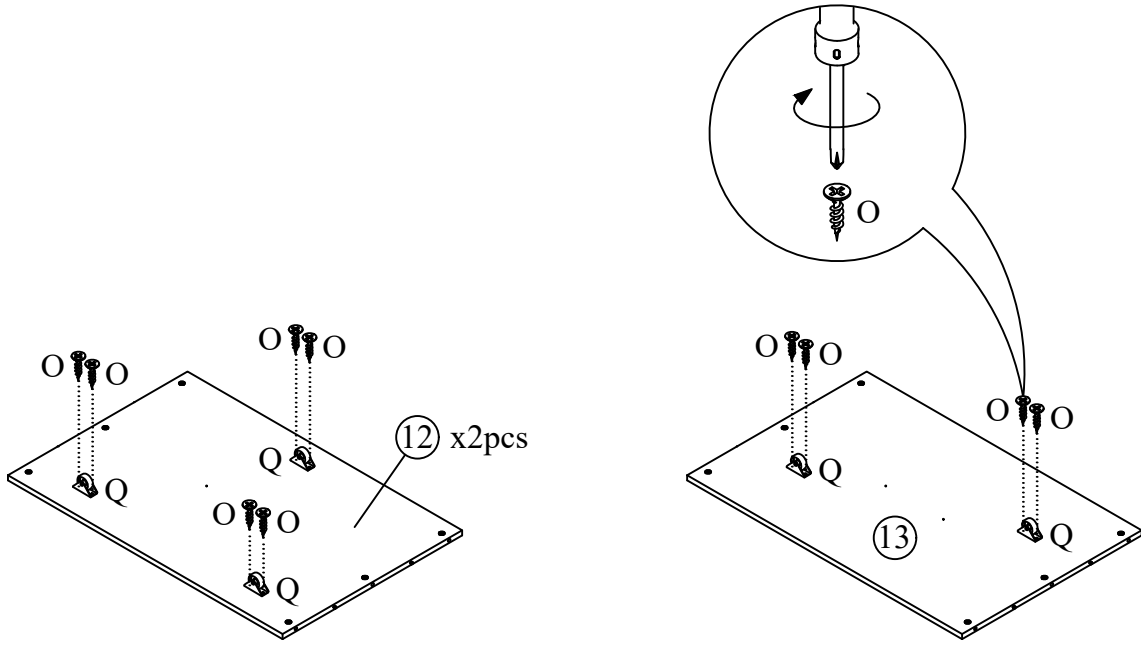
11

J		12
K		18
L		18

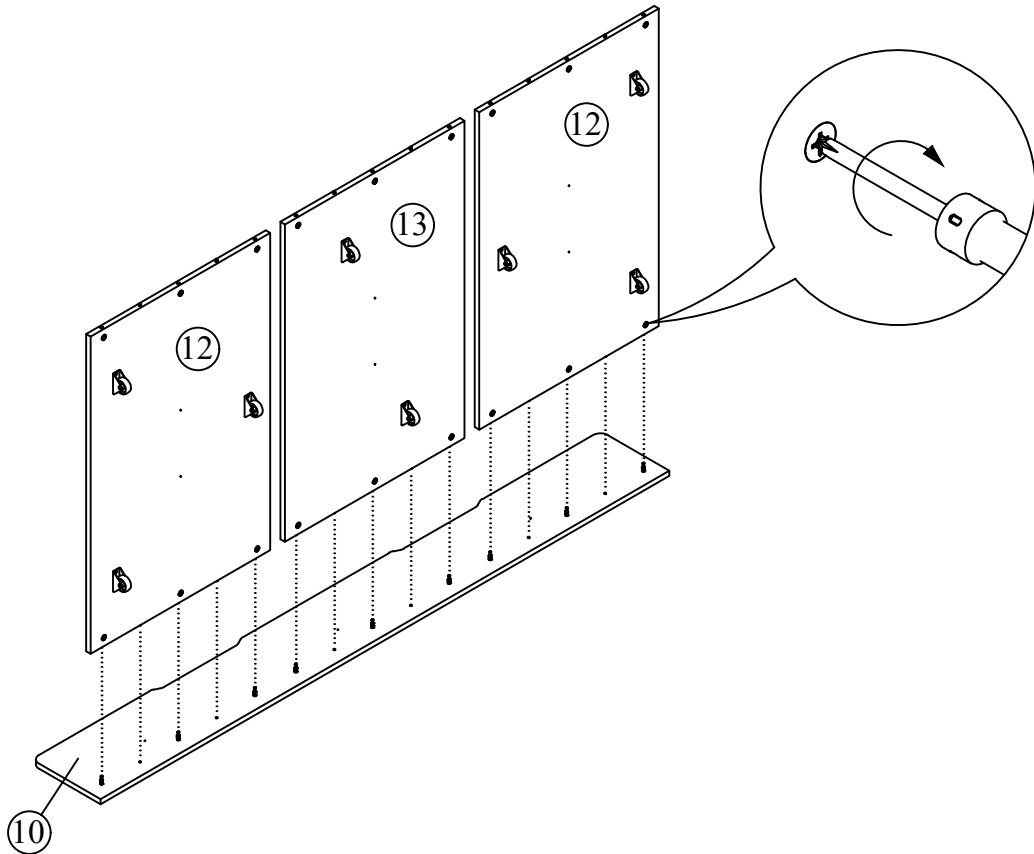


12

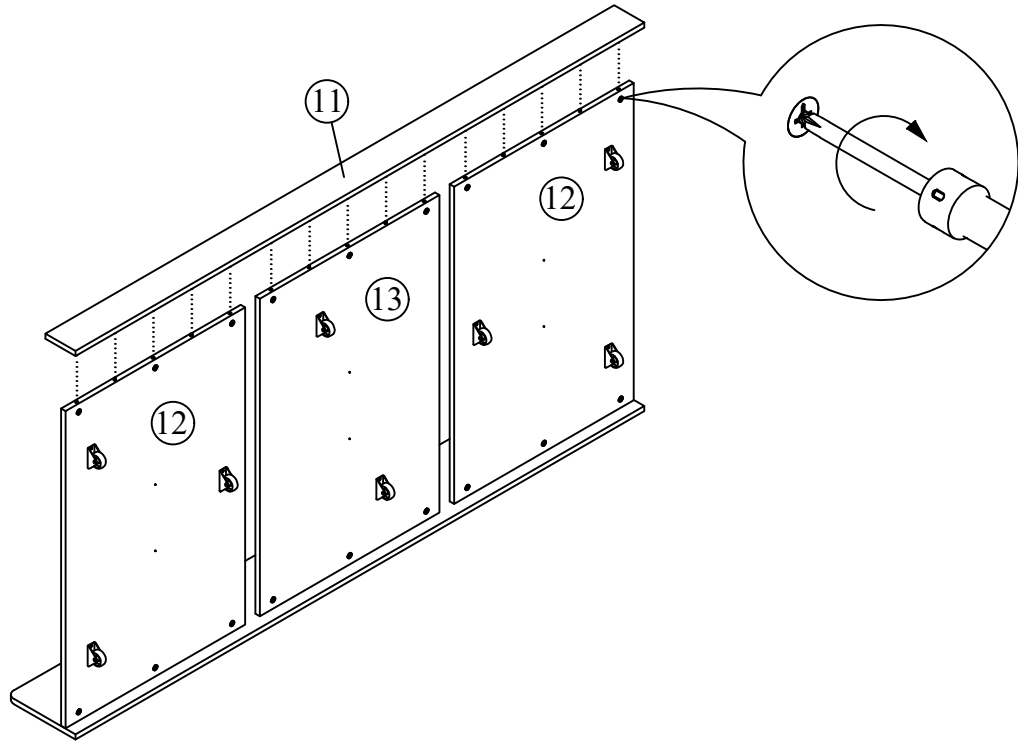
O		16
Q		8



13

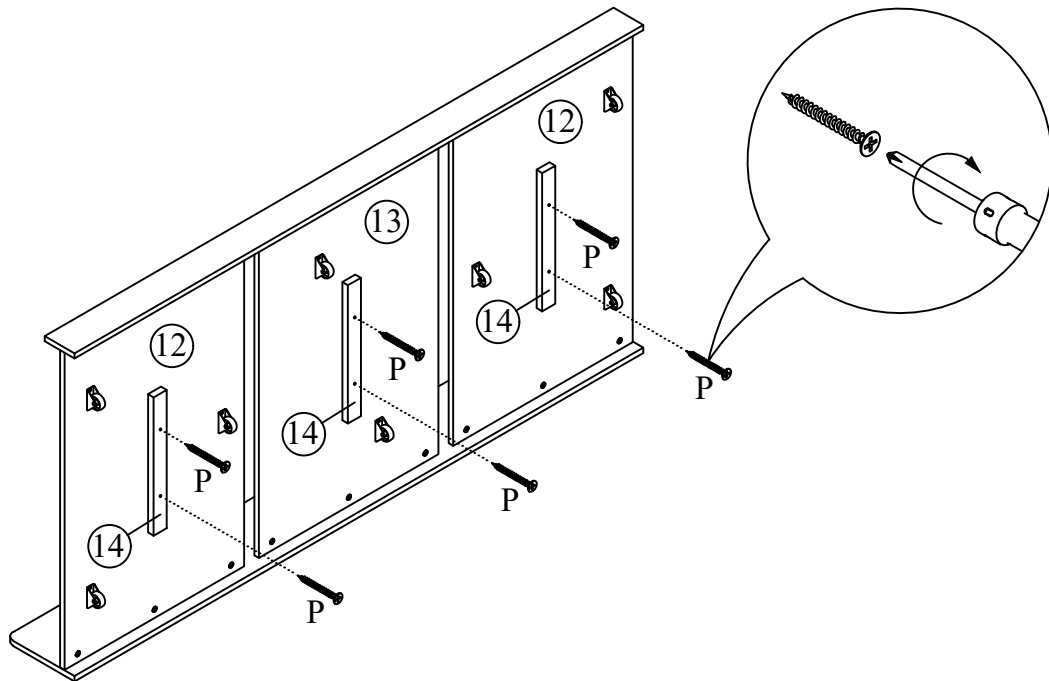


14



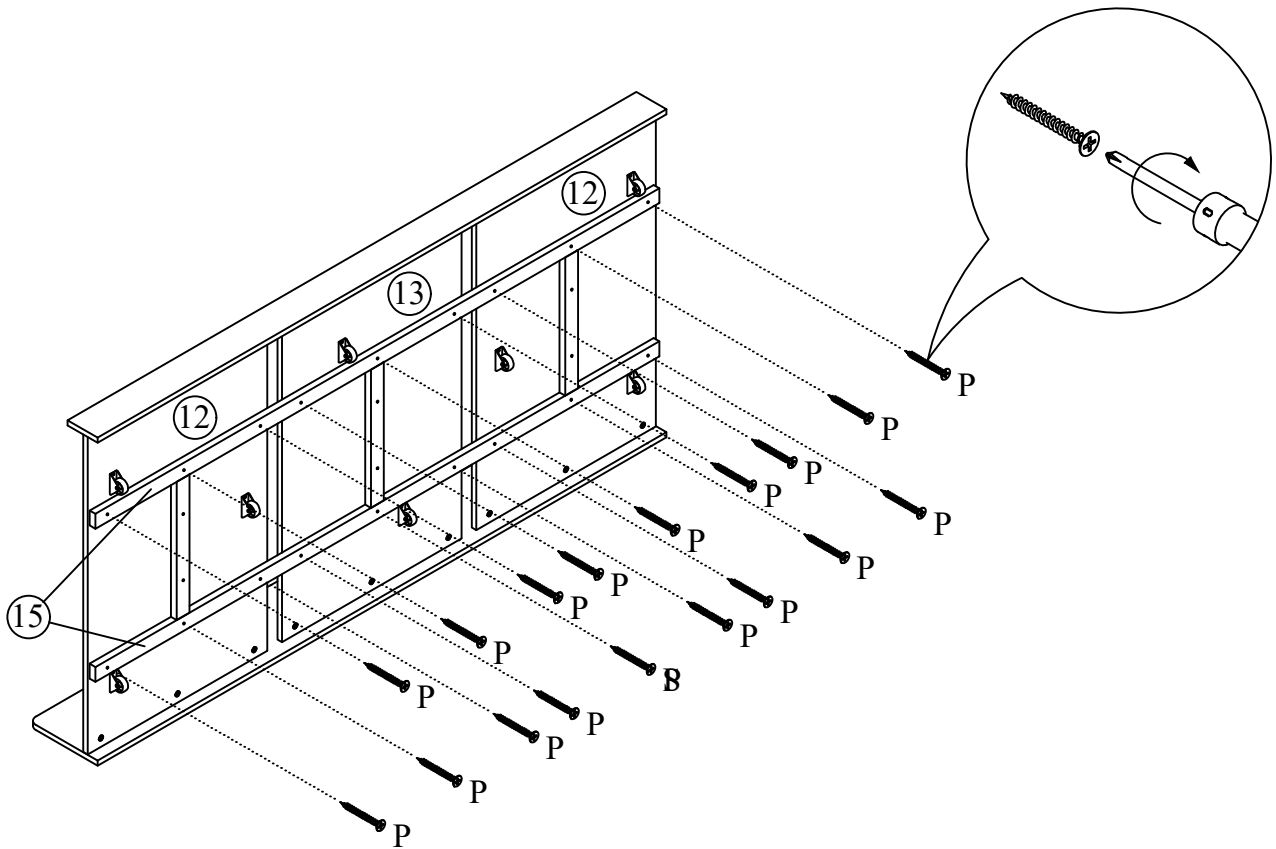
15

P  6





16

P		18
---	---	----



17

O		12
R		3

