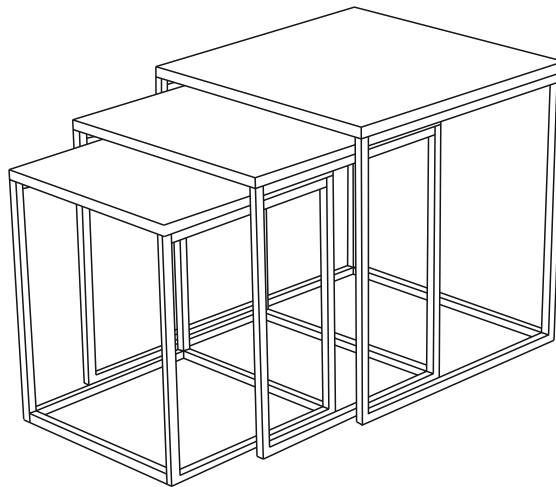


# GREY GLOSS CHARISMA NEST OF TABLES ASSEMBLY INSTRUCTIONS



## **IMPORTANT PLEASE READ BEFORE YOU CONTINUE FURTHER FOR DOMESTIC USE ONLY**

THE PRODUCT YOU HAVE PURCHASED WILL GIVE YOU MANY YEARS OF SERVICE IF YOU FOLLOW THE GUIDELINES FOR ITS SAFE ASSEMBLY AND PERIODIC MAINTENANCE AND CLEANING .

ASSEMBLE ON A SOFT CLEAN SURFACE

DO NOT USE ANY TOOLS OTHER THAN THOSE SHOWN.

ANY SPANNERS OR ALLEN KEYS REQUIRED ARE INCLUDED WITH THE FITTINGS KIT.

DO NOT FOR ANY REASON USE A POWER TOOL TO ASSEMBLE THIS PRODUCT. ITS USE WILL INVALIDATE ANY CLAIM YOU MAY HAVE AND COULD MAKE THIS PRODUCT UNSAFE.

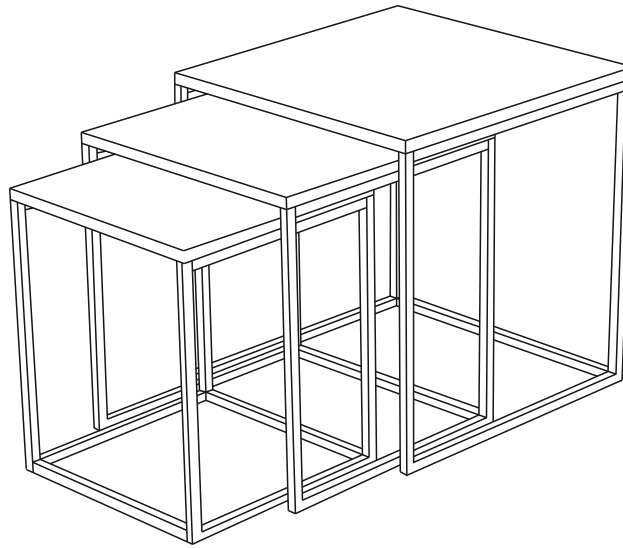
DEPENDING ON THE AMOUNT OF USE THIS PRODUCT RECEIVES IT MAY BE NECESSARY TO TIGHTEN UP THE FIXINGS FROM TIME TO TIME . THIS IS COMPLETELY NORMAL FOR ANY FLAT PACK FURNITURE.  
DO NOT OVERTIGHTEN FIXINGS.

FOR CLEANING, YOU MAY USE A DAMP CLOTH (NOT WET) DO NOT USE POLISH, DETERGENT OR CHEMICAL CLEANERS.

THIS PRODUCT MAY STAIN OR MARK IF ALLOWED TO COME INTO CONTACT WITH WET OR DAMP OBJECTS.

THE SURFACE OF THIS ITEM IS NOT HEAT RESISTANT. ALWAYS USE A PLACE MAT UNDER HOT OR COLD ITEMS TO PREVENT MARKING.

# CHARISMA NEST OF TABLES CARE AND MAINTENANCE INSTRUCTIONS



THIS PRODUCT INCLUDES MDF BOARD WITH A NOMINAL THICKNESS OF 15MM. IF THE BOARD IS CHIPPED OR BROKEN, PLEASE REPLACE WITH TYPE DESCRIBED OR ALTERNATIVELY CONSULT WITH THE RETAILER STATING THE MODEL DETAILS.

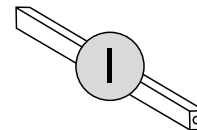
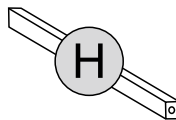
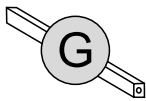
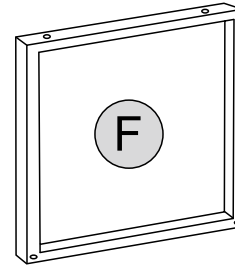
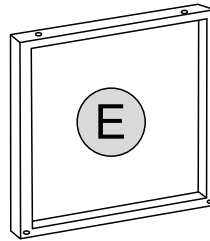
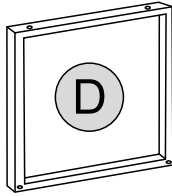
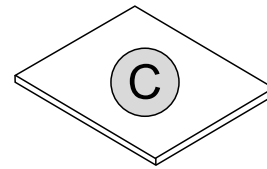
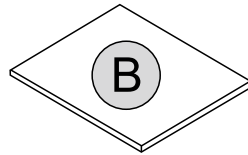
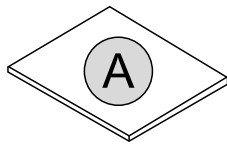
## **IMPORTANT**

DO NOT REMOVE THE PROTECTIVE PLASTIC WRAPPING FROM THE TABLE TOPS UNTIL THE TABLES ARE FULLY ASSEMBLED.

## **WARNING**

1. MAXIMUM LOAD ON TOP - DO NOT EXCEED 20 KGS IN WEIGHT.
2. DO NOT SIT OR STAND ON MDF BOARD SURFACES.
3. DO NOT USE MDF BOARD AS CHOPPING SURFACE.
4. DO NOT STRIKE MDF BOARD WITH HARD OR POINTED ITEMS.
5. DO NOT PLACE VERY HOT OR VERY COLD ITEMS ON THE MDF BOARD SURFACE UNLESS ADEQUATELY THICK TABLE MATS ARE USED TO PREVENT SUCH ITEMS COMING INTO CONTACT WITH THE MDF BOARD.
6. FOR CLEANING, YOU MAY USE A DAMP CLOTH (NOT WET) DO NOT USE POLISH, DETERGENT OR CHEMICAL CLEANERS.
7. THE USE OF POWER TOOLS TO ASSEMBLE THIS PRODUCT WILL INVALIDATE ANY CLAIM AND MAY DAMAGE THIS PRODUCT MAKING IT UNSAFE.


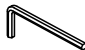

KEEP THESE INSTRUCTIONS IN A SAFE PLACE FOR FUTURE REFERENCE.



## PARTS LIST

| Part Number | Part Code           | Part Description | Quantity | Carton |
|-------------|---------------------|------------------|----------|--------|
| A           | S300-303-029-MT1-01 | Small Table Top  | 1        | 1/1    |
| B           | S300-303-029-MT1-02 | Medium Table Top | 1        | 1/1    |
| C           | S300-303-029-MT1-03 | Large Table Top  | 1        | 1/1    |
| D           | S300-303-029-MT1-04 | Small Table Leg  | 2        | 1/1    |
| E           | S300-303-029-MT1-05 | Medium Table Leg | 2        | 1/1    |
| F           | S300-303-029-MT1-06 | Large Table Leg  | 2        | 1/1    |
| G           | S300-303-029-MT1-07 | Small Cross Bar  | 2        | 1/1    |
| H           | S300-303-029-MT1-08 | Medium Cross Bar | 2        | 1/1    |
| I           | S300-303-029-MT1-09 | Large Cross Bar  | 2        | 1/1    |

## HARDWARE LIST

| REF |   | HARDWARE NAME | QTY   |
|-----|---|---------------|-------|
| 1   |  | Bolt          | 24PCS |
| 2   |  | Allen Key     | 1PC   |
| 3   |  | Plastic Foot  | 12PCS |

**PLEASE CHECK THAT YOU HAVE ALL THE PARTS LISTED BEFORE YOU START ASSEMBLING. IF YOU DO FIND THAT SOMETHING IS MISSING, DO NOT CONTINUE ASSEMBLY. PLEASE CONTACT YOUR SUPPLIER IMMEDIATELY.**

# STEP 1

## PARTS REQUIRED

D - SMALL TABLE LEG x2

G - SMALL CROSS BAR x2

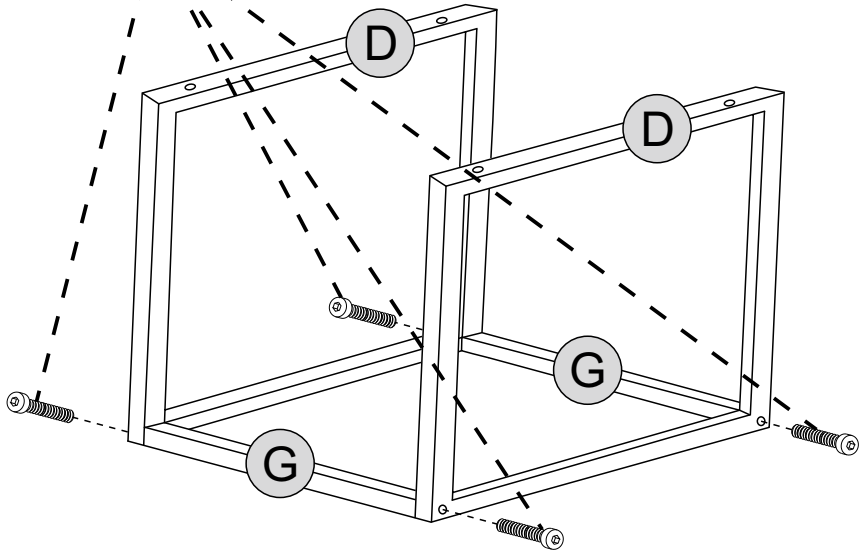
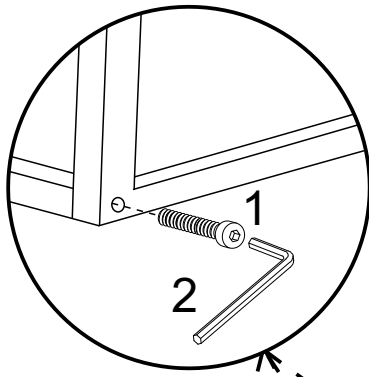
## HARDWARE REQUIRED

1  04

## TOOLS REQUIRED

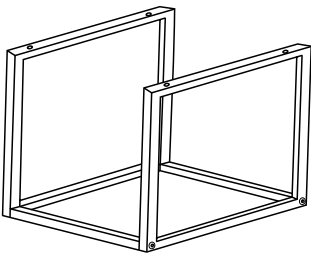


# SMALL TABLE



# STEP 2

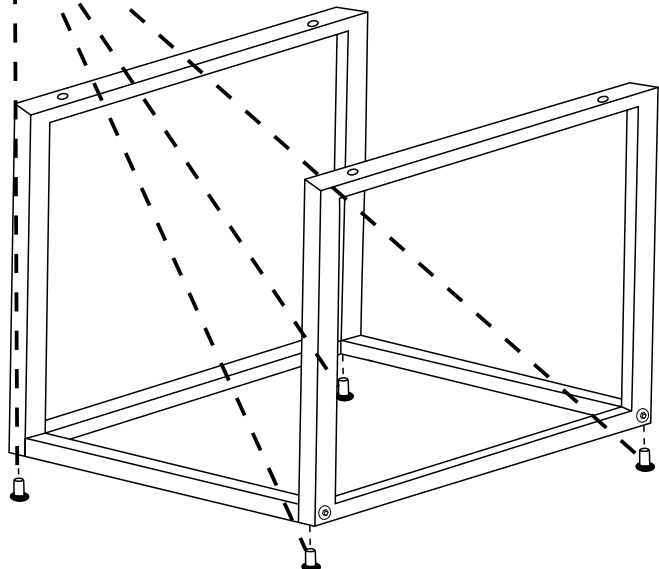
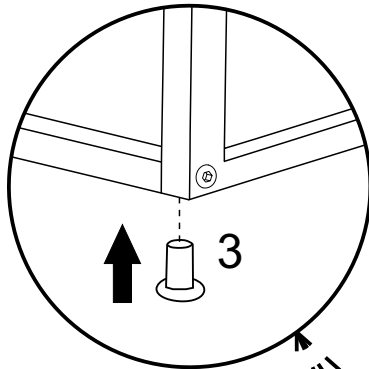
## PARTS REQUIRED



## HARDWARE REQUIRED

3  04

## TOOLS REQUIRED

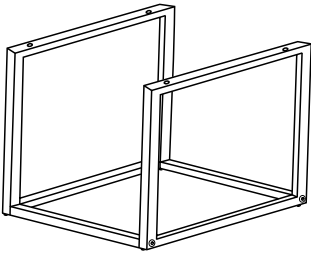


# SMALL TABLE

# STEP 3

## PARTS REQUIRED

A - SMALL TABLE TOP x1



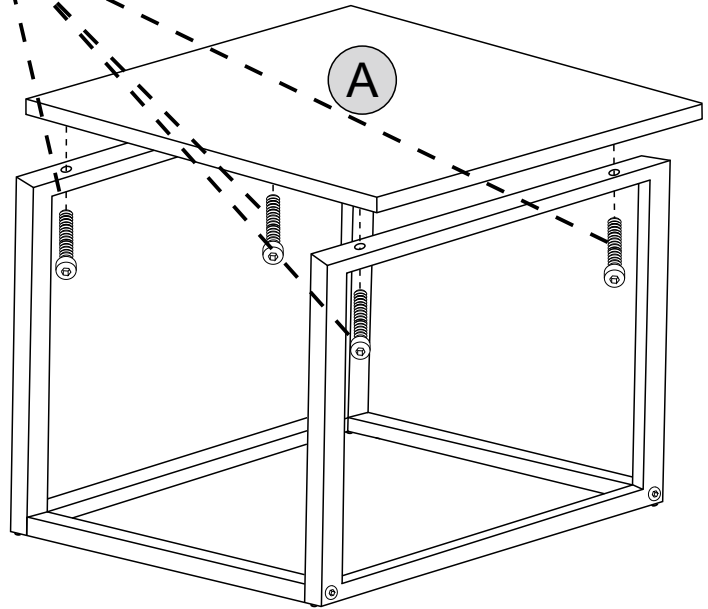
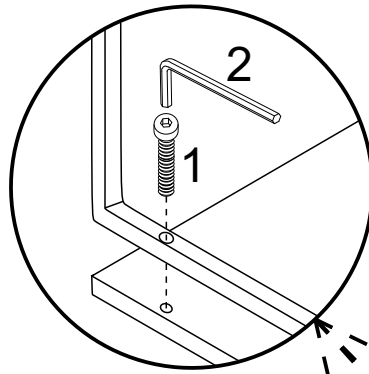
## HARDWARE REQUIRED

1  04

## TOOLS REQUIRED



# SMALL TABLE



# STEP 4

## PARTS REQUIRED

E - MEDIUM TABLE LEG x2

H - MEDIUM CROSS BAR x2

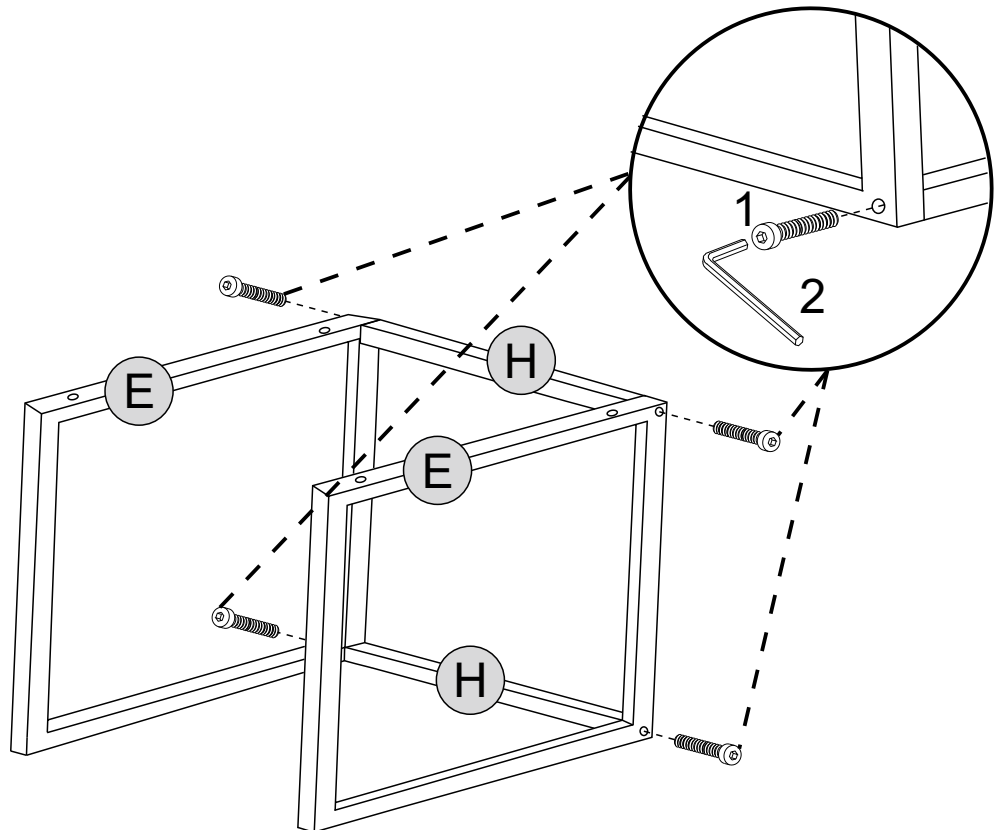
## HARDWARE REQUIRED

1  04

## TOOLS REQUIRED



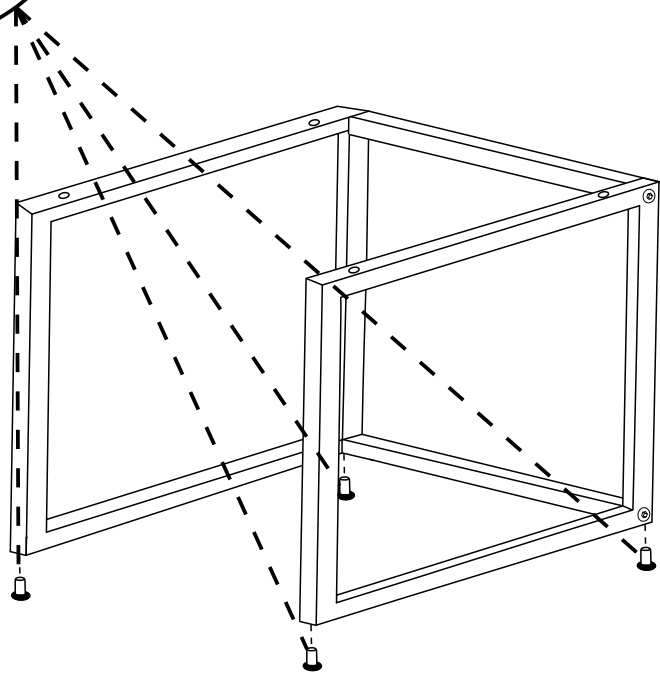
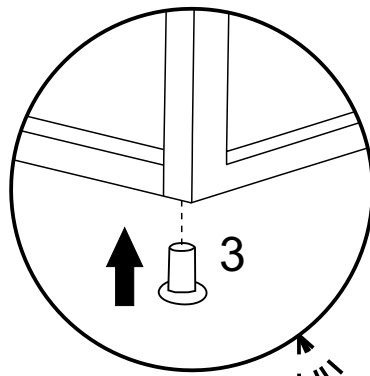
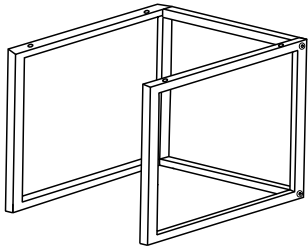
# MEDIUM TABLE



# STEP 5

# MEDIUM TABLE

**PARTS REQUIRED**



**HARDWARE REQUIRED**

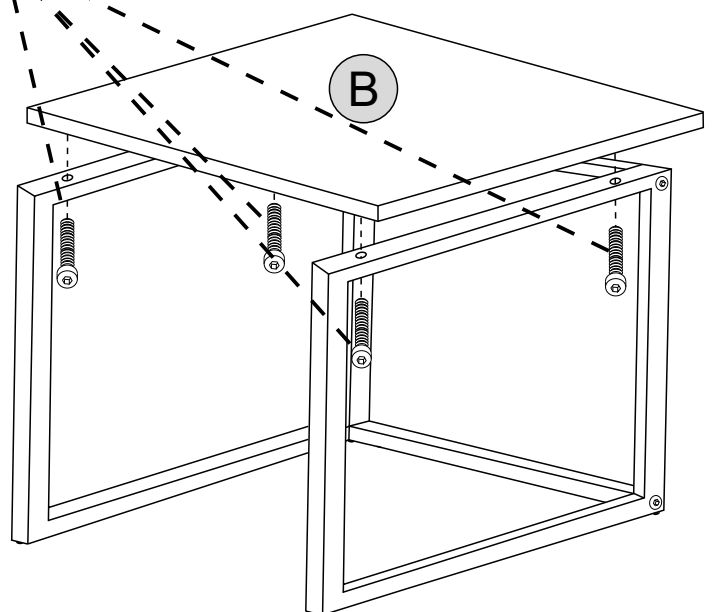
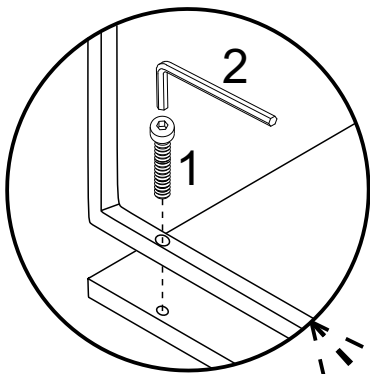
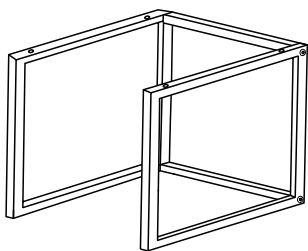
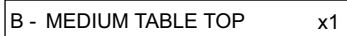


**TOOLS REQUIRED**

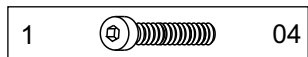
# STEP 6

# MEDIUM TABLE

**PARTS REQUIRED**



**HARDWARE REQUIRED**



**TOOLS REQUIRED**



# STEP 7

## PARTS REQUIRED

F - LARGE TABLE LEG x2

I - LARGE CROSS BAR x2

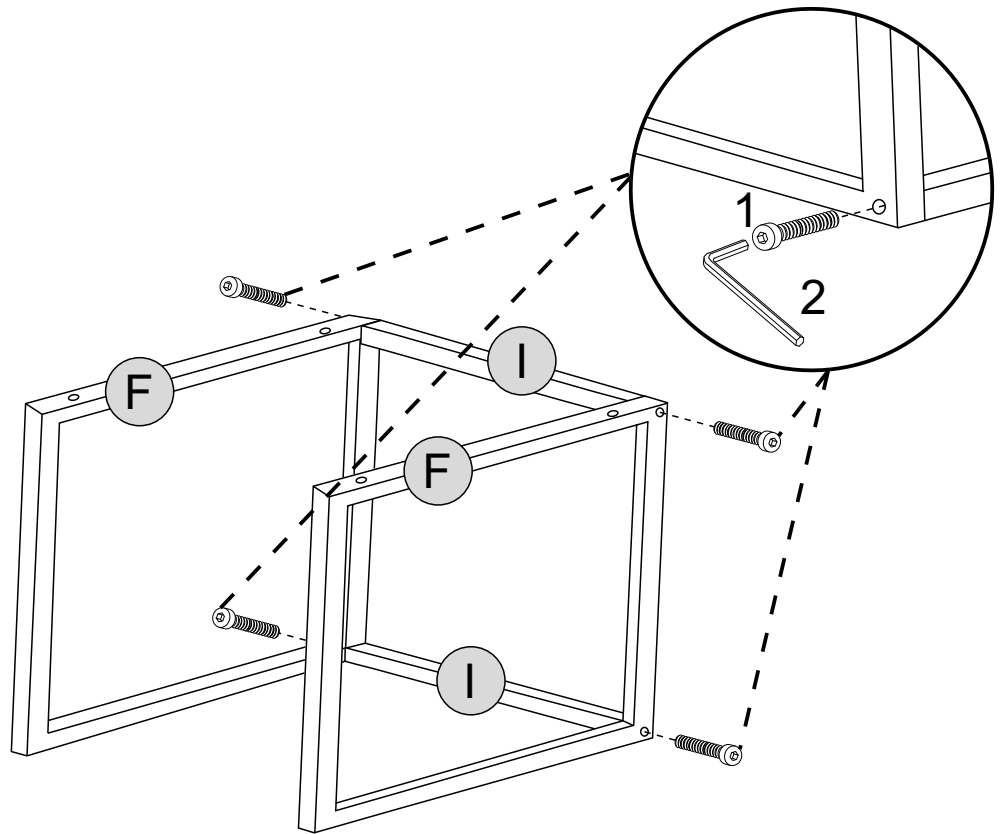
## HARDWARE REQUIRED

1  04

## TOOLS REQUIRED

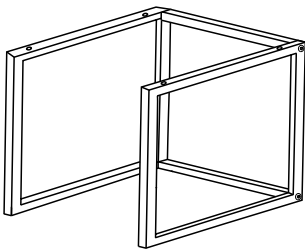


# LARGE TABLE



# STEP 8

## PARTS REQUIRED

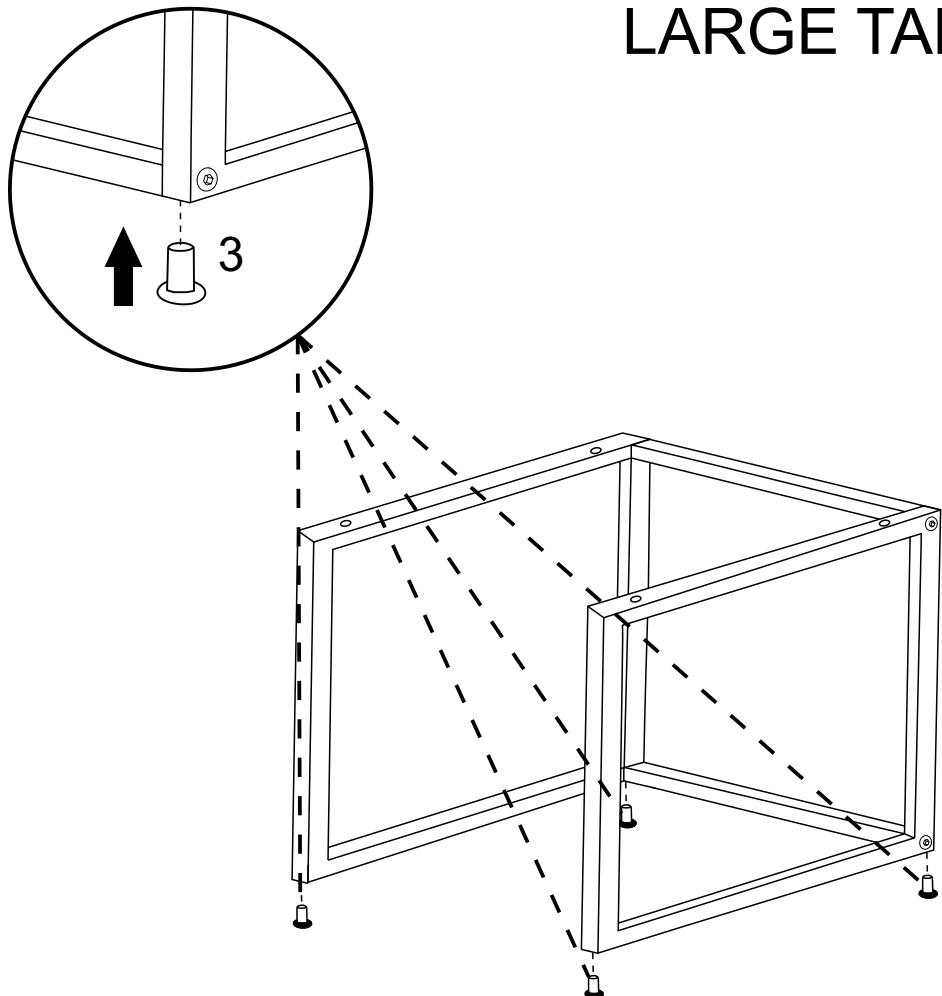


## HARDWARE REQUIRED

3  04

## TOOLS REQUIRED

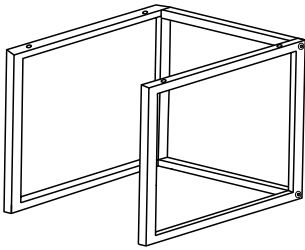
# LARGE TABLE



# STEP 9

**PARTS REQUIRED**

C - LARGE TABLE TOP x1



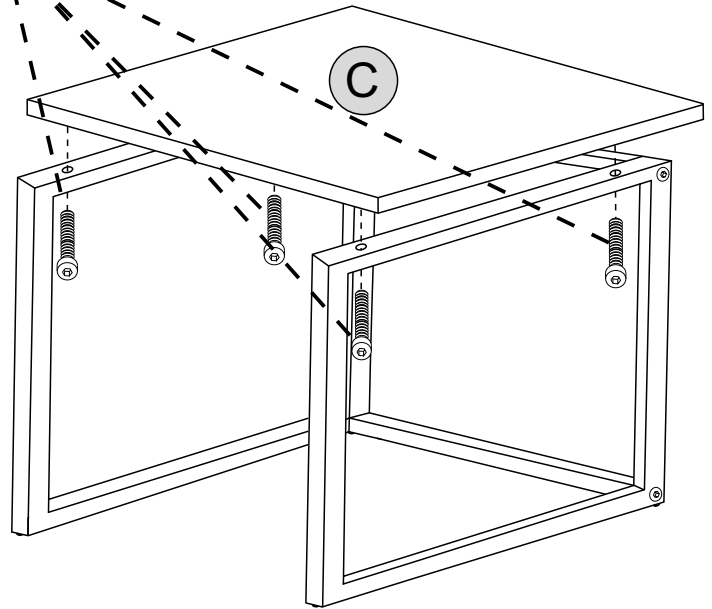
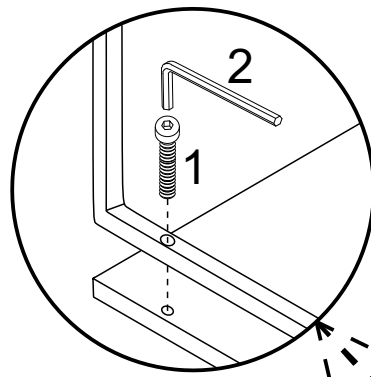
**HARDWARE REQUIRED**

1  04

**TOOLS REQUIRED**



# LARGE TABLE



# STEP 10

**PLEASE NOTE THE CLEAR PROTECTIVE FILM WILL NEED REMOVING AFTER ASSEMBLY.**

**PARTS REQUIRED**

**HARDWARE REQUIRED**

**TOOLS REQUIRED**

