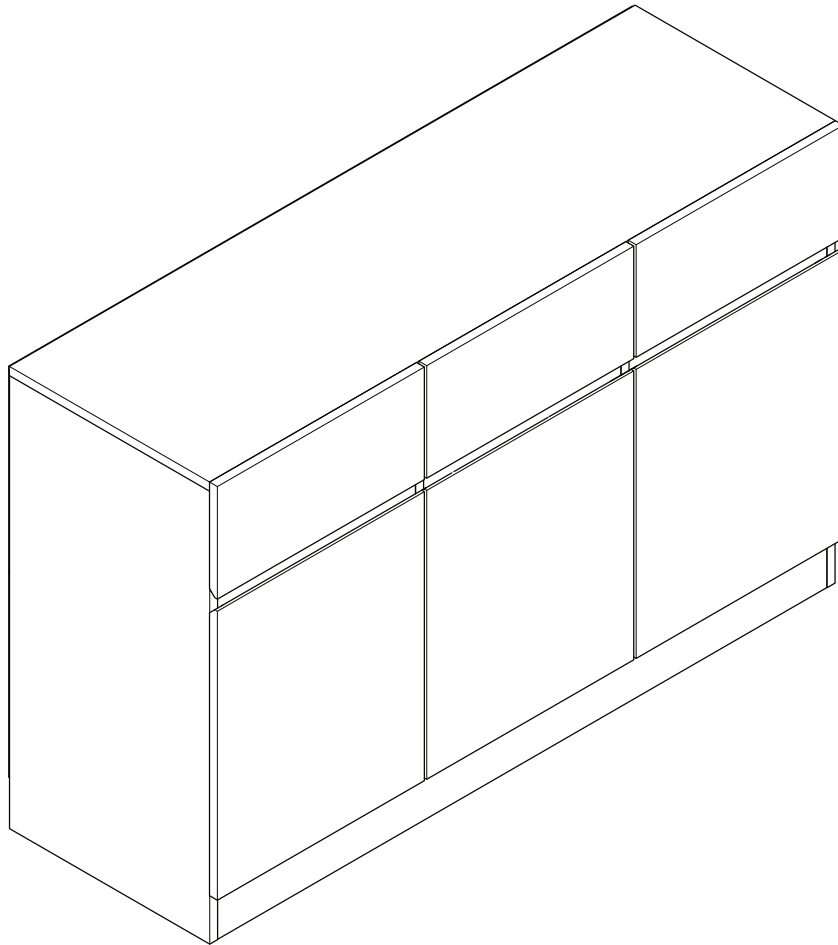


CATANIA LARGE SIDEBOARD

ASSEMBLY INSTRUCTIONS

Thank you for purchasing the *CATANIA LARGE SIDEBOARD*.
Please read the instructions carefully to ensure safe operation of the product.



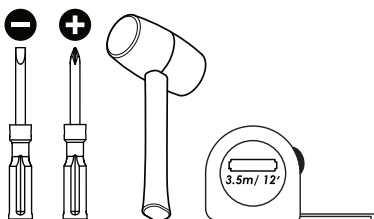
Size : 1188 x 398 x 765 mm

PLEASE READ this sheet prior to assembly to familiarise yourself with the various stages of construction.

Carefully open the pack supplied and check the contents against the parts and fittings check list. Do not destroy any of the packaging until you are certain that you have all the necessary parts for the assembly.

CAUTION: There are small components used in the construction of this unit. These loose items should be kept away from young children whilst assembling your unit to avoid the danger of choking hazards.

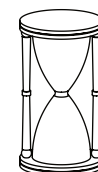
Tools Required



Person Required



Approximate Assembly Time



**1 Hour
30 Minutes**

IMPORTANT - READ CAREFULLY - RETAIN THESE INSTRUCTIONS FOR FUTURE REFERENCE.

INFORMATION

- Due to the size of this product we recommend that it is assembled in the room intended for use.
- When you are ready to start, make sure that you have the right tools, plenty of space and a clean, dry area for assembly.
- Unwrap all packaging materials and place the components on top of the carton box or on a clean floor to prevent it from scratching.
- Check the pack and make sure you have all the parts listed.
- Ensure that this product is fully assembled as illustrated before use.
- Check all screws or bolts are tightened and inspect regularly.
- This product should only be used on firm, level ground.
- Keep small parts out of reach of children.
- Make sure the legs remain in contact with the ground.
- Tools not included.

WARNINGS

- DO NOT use power tools to construct this product.
- DO NOT tighten screws until fully assembled.
- DO NOT over tighten screws or bolts.
- DO NOT use this product if parts are missing, damaged or worn.
- DO NOT sit or stand on the product.
- DO NOT place hot items or liquids directly onto the top surface otherwise this will permanently damage the surface of the item. Always use heat resistant mats if placing such items on the surface.
- It is essential that this unit is fixed to the wall with the brackets provided for safety reasons. NB wall fixings are not included. Please source suitable fixings for your wall type. If in doubt please consult a qualified tradesperson.
- WARNING: Always ensure the area to be drilled is free from hidden electrical wires, water or gas pipes.

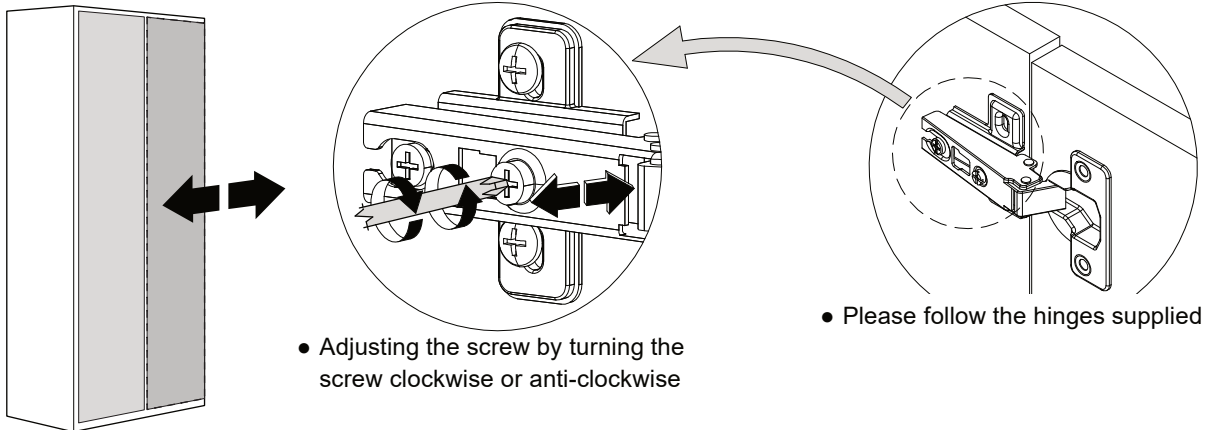


CARE INFORMATION

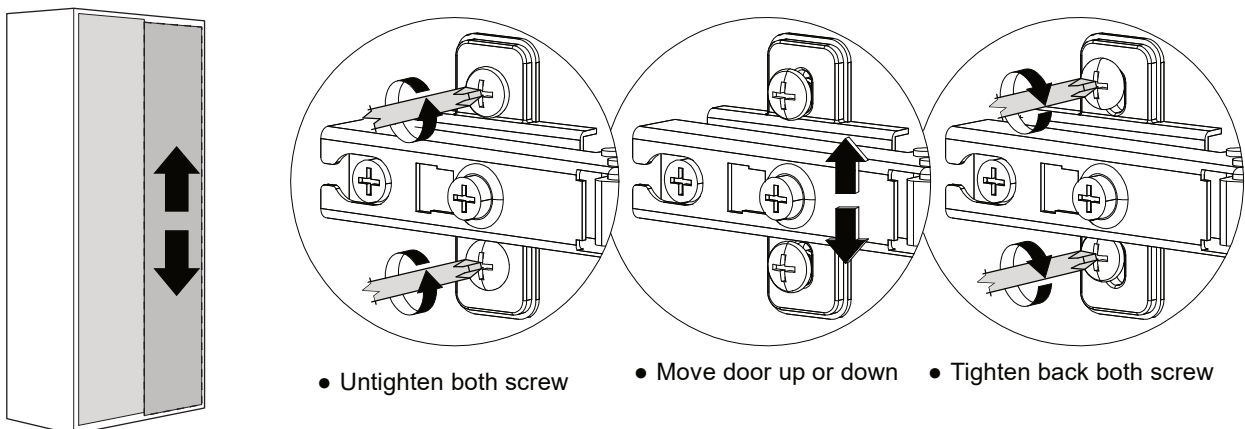
- Never use scourers, abrasives or chemical cleaners.
- To clean wipe with a sponge and warm soapy water. Do not use solvent based cleaners or detergents as they can bleach or damage the product.

SPECIAL TIPS FOR DOOR ALIGNMENT

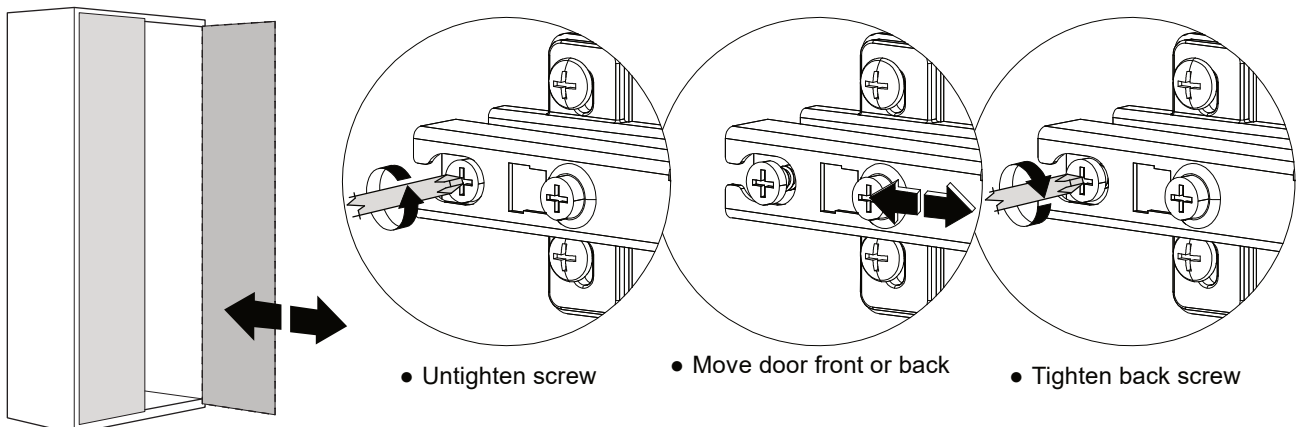
A. Lateral adjustment (Moving door left-right) by screw adjusting



B. Vertical adjustment (Moving door up-down) via the slot on the mounting plate

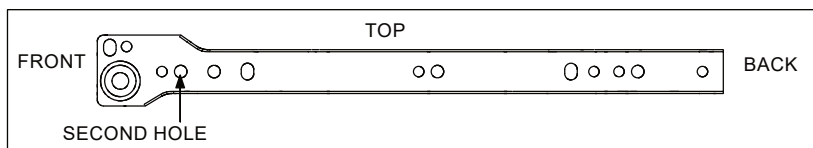


C. Front-to-back adjustment (Spacing Door Off Cabinet) by slackening the hinge arm mounting screw

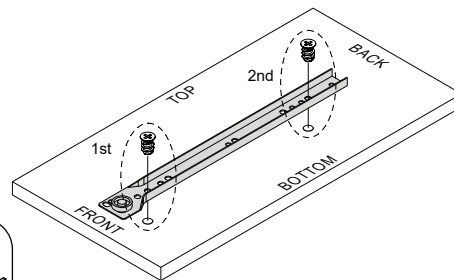
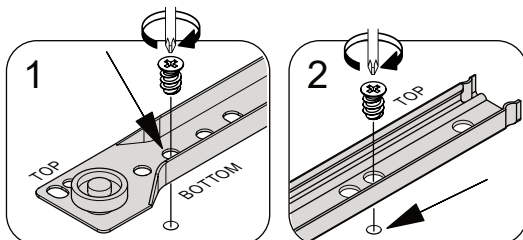


SPECIAL TIPS FOR FITTING DRAWER

DRAWER RUNNER - A

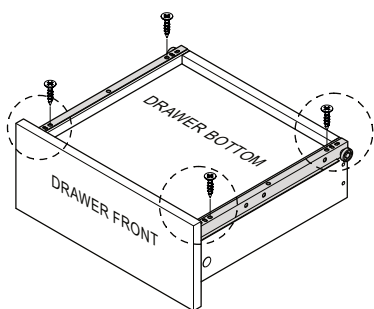
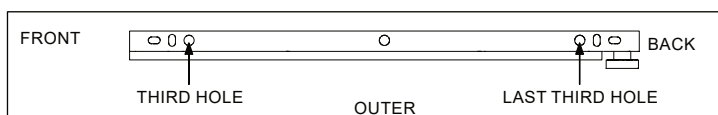


- Fix the first screw on the second hole on drawer runner as shown.
- Fix the second screw following the holes on panel.

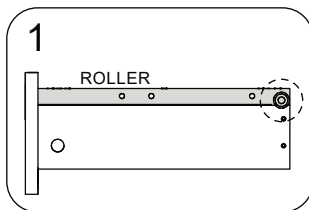


- Ensure the position of the drawer runner is correct as showed above.

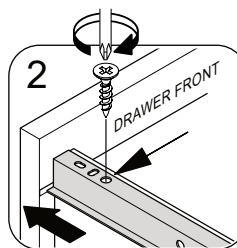
DRAWER RUNNER - B



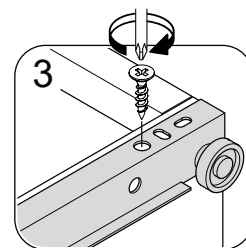
- Ensure the position of the drawer runner is correct as showed above.



- Push the runner to drawer front.

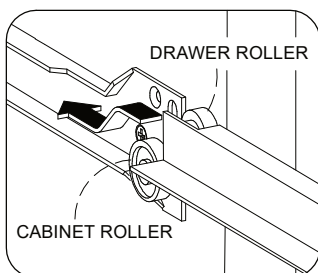


- Fix the first screw on the third hole from front.

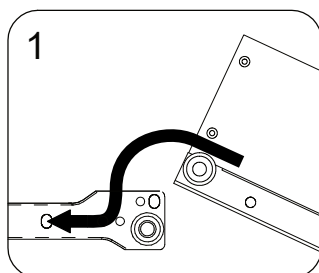


- Fix the second screw on the last third hole.

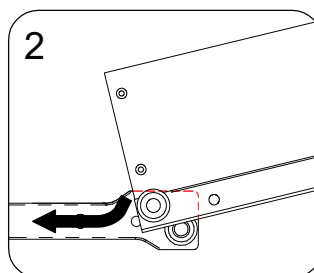
INSTALL DRAWER TO CABINET



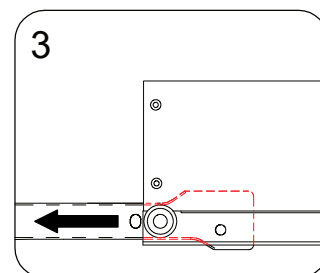
- Locate both roller on drawer box and roller on cabinet.



- Align the roller on drawer box on top of the roller on cabinet.



- Push inside the drawer box.



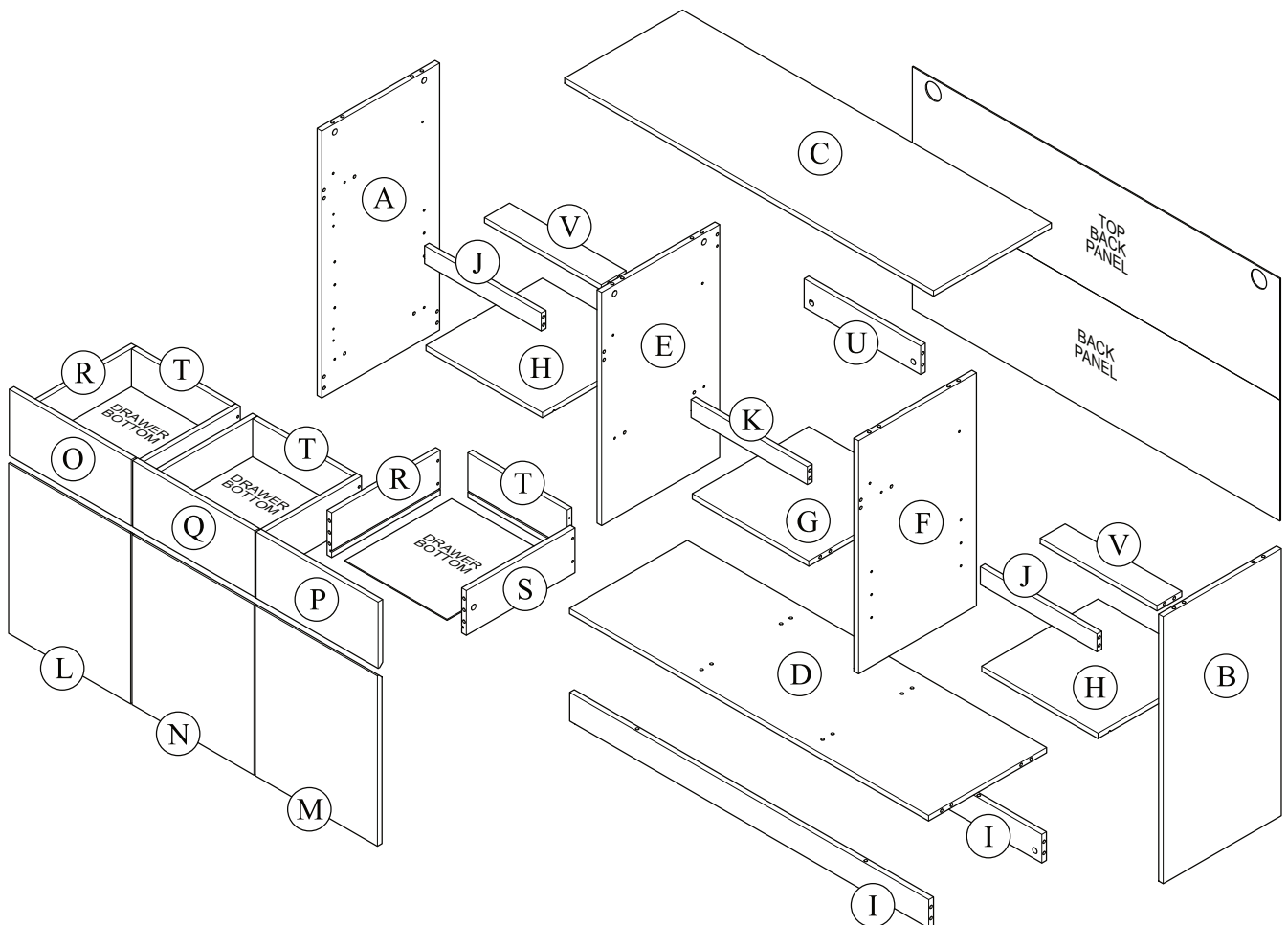
- Ensure the roller is in the track of drawer slide before push to the end.

Please check the pack contents before assembling the product. If any components are missing, please contact your retailer. The fittings pack contains small items that should be kept away from small children.

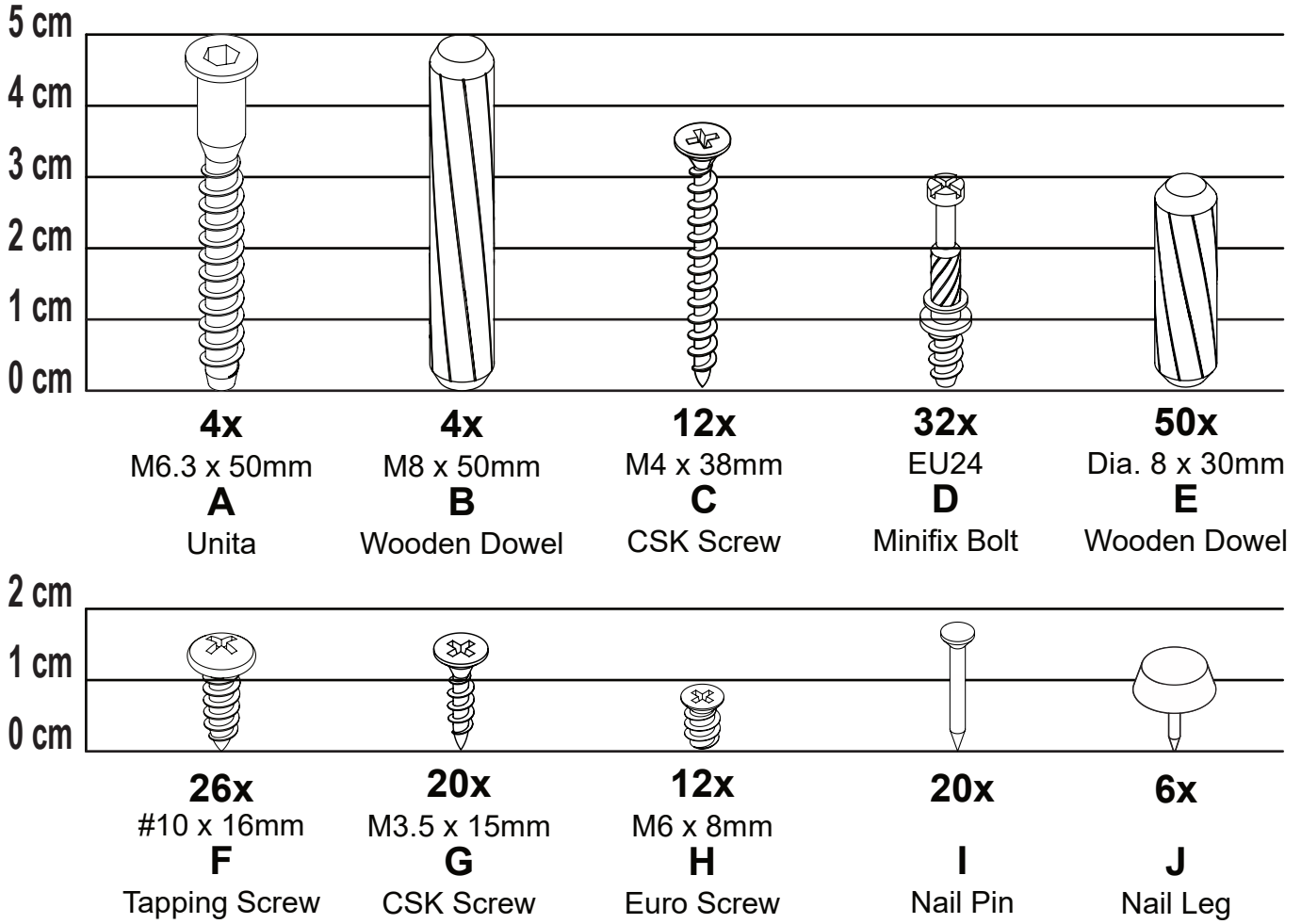
Parts

CODE	PART NAME	QTY	DIMENSION
A	Side Panel L	1	15 x 380 x 745
B	Side Panel R	1	15 x 380 x 745
C	Top Panel	1	15 x 380 x 1188
D	Bottom Panel	1	15 x 380x 1157
E	Vertical Panel L	1	15 x 380 x 650
F	Vertical Panel R	1	15 x 380 x 650
G	Fix Shelf	1	15 x 375 x 375
H	Adjustable Shelf	2	15 x 375 x 375
I	Bottom Bar	2	15 x 80 x 1157
J	Front Bar L & R	2	15 x 50 x 376
K	Front Bar Centre	1	15 x 50 x 375
L	Door L	1	15 x 393 x 475
M	Door R	1	15 x 393 x 475

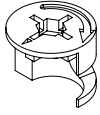
CODE	PART NAME	QTY	DIMENSION
N	Door C	1	15 x 393 x 475
O	Drawer Front L	1	15 x 185 x 393
P	Drawer Front R	1	15 x 185 x 393
Q	Drawer Front C	1	15 x 185 x 393
R	Drawer Side L	3	15 x 125 x 350
S	Drawer Side R	3	15 x 125 x 350
T	Drawer Back	3	15 x 125 x 320
U	Back Bar	1	15 x 375 x 80
V	Support Bar	2	15 x 376 x 80
	Drawer Bottom	3	2.5 x 344 x 329
	Top Back Panel	1	2.5 x 338 x 1184
	Back Panel	1	2.5 x 338 x 1184



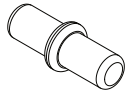
Fixings (to scale)



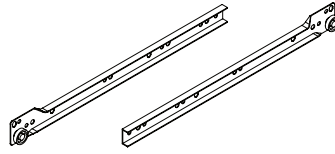
Fixings (not to scale)



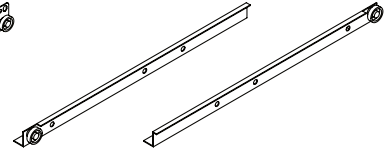
32x
15/12
K
Minifix Cam



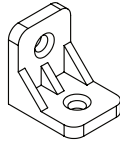
8x
L
Shelf Support



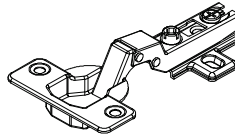
3 set x
14" (350mm)
M
Drawer Slide



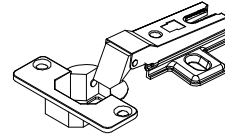
3 set x
14" (350mm)
N
Drawer Slide



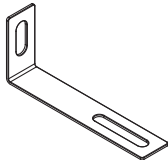
4x
O
PVC L - Bracket



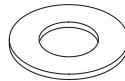
2x
P
Hinges 1/4"



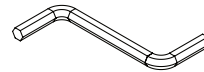
4x
Q
Hinges 5/8"



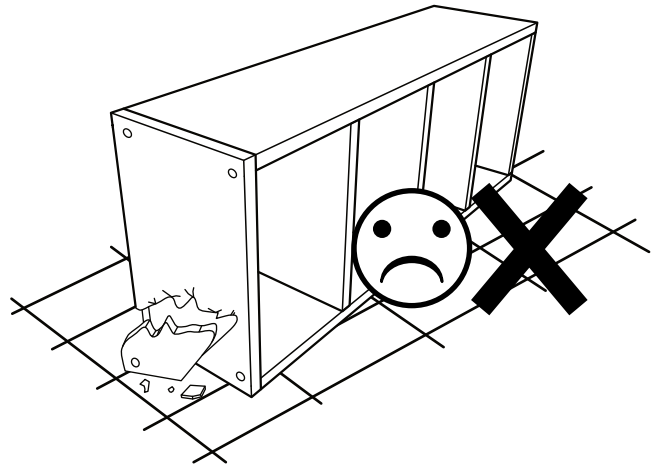
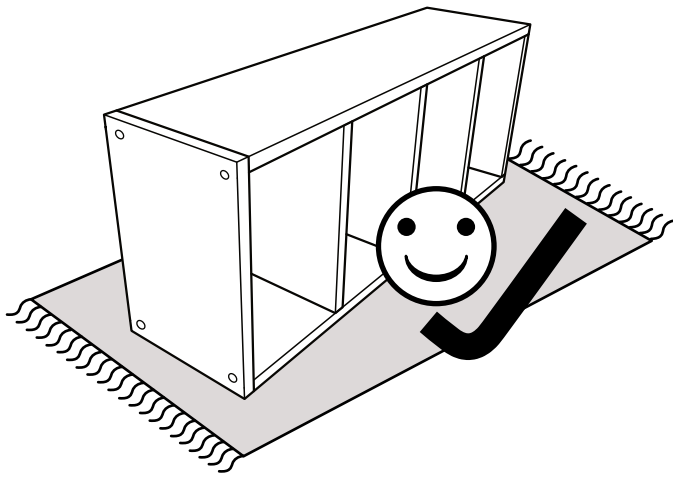
2x
R
Mounting L-Bracket



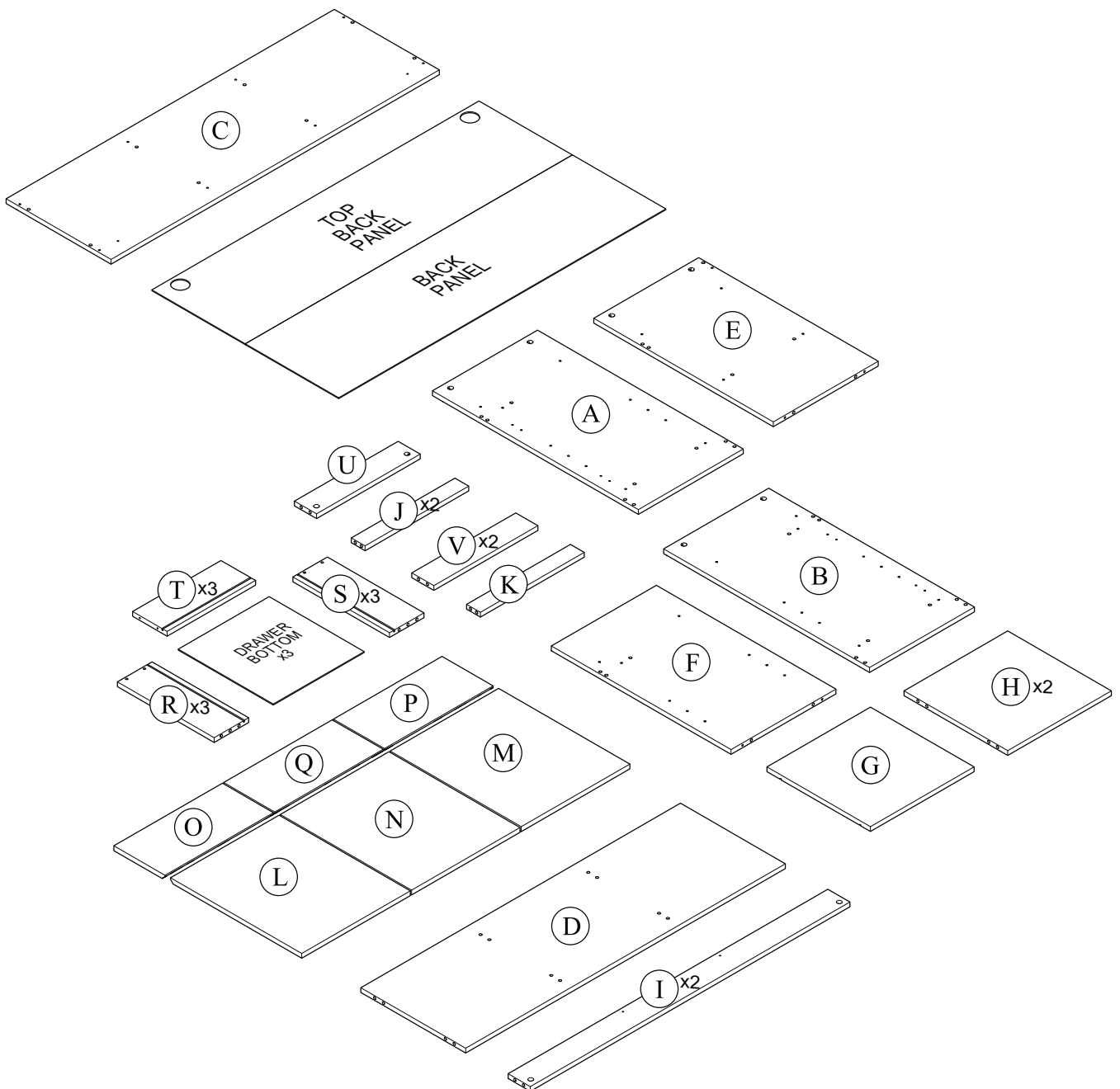
2x
S
Washer M6 x 16mm



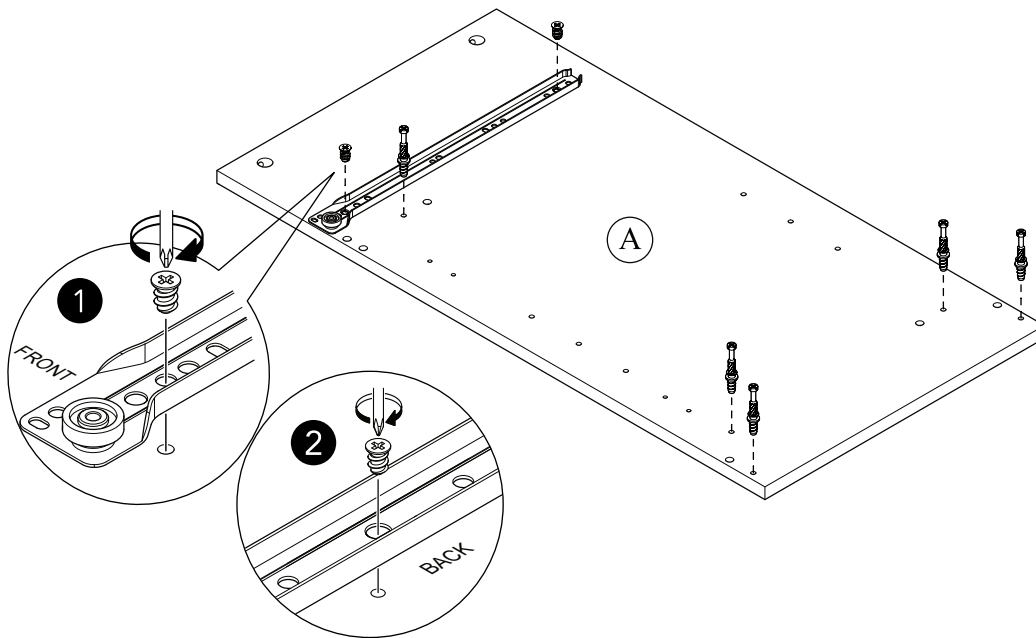
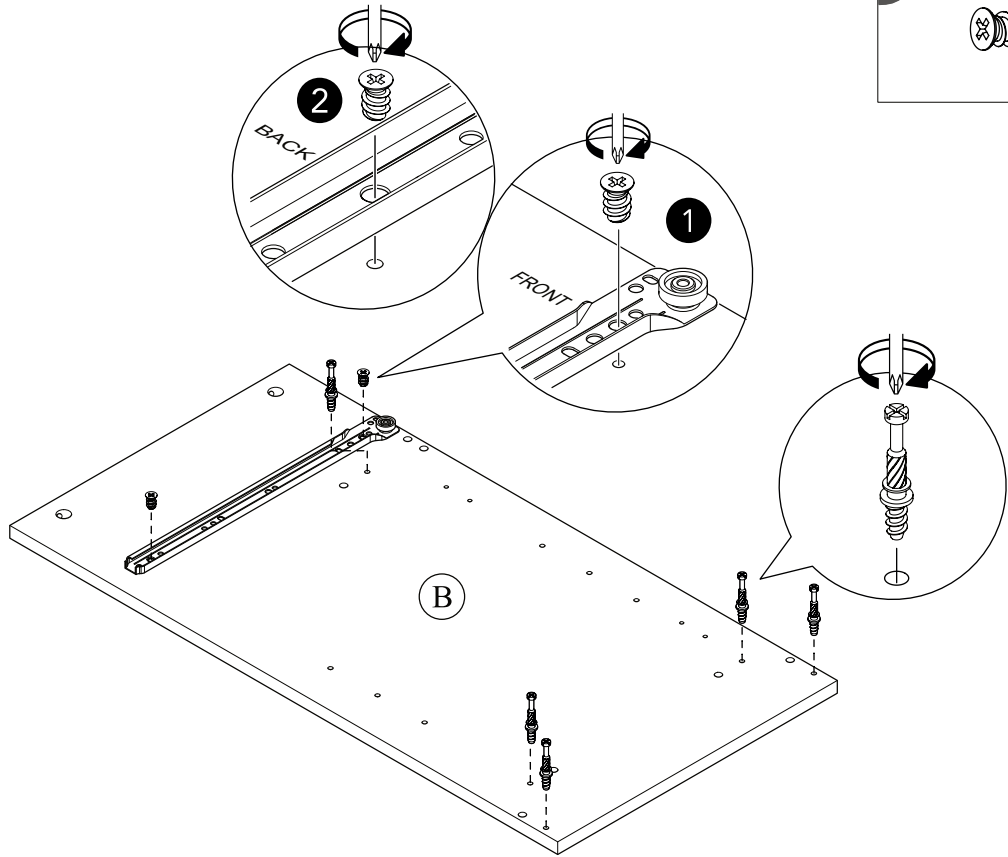
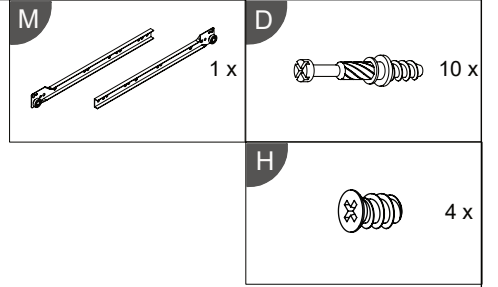
1x
T
Allen Key Z M4



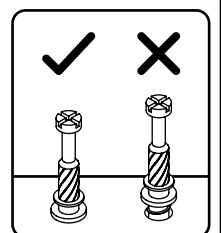
Layout Parts on Soft Surface



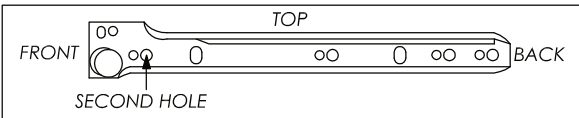
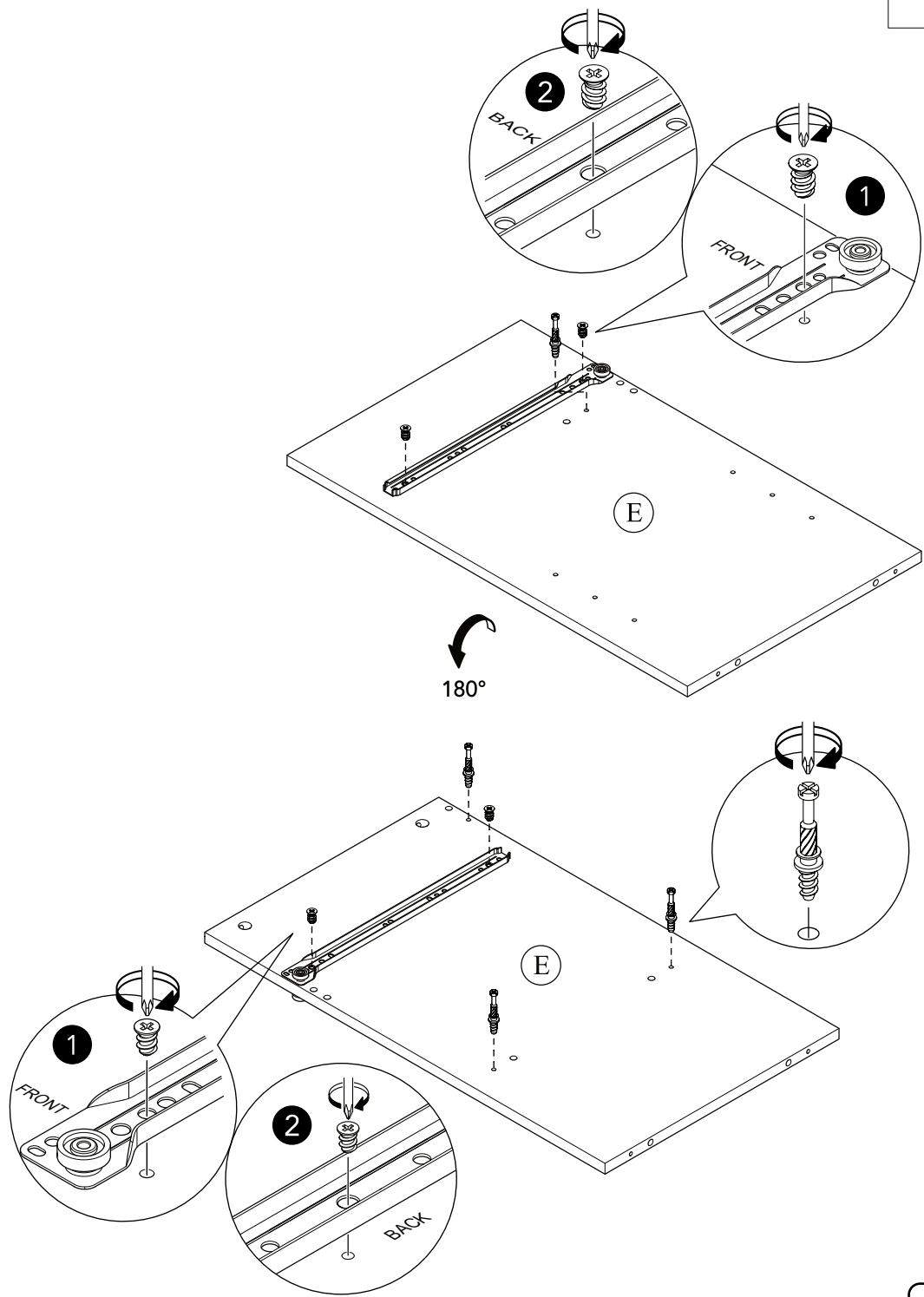
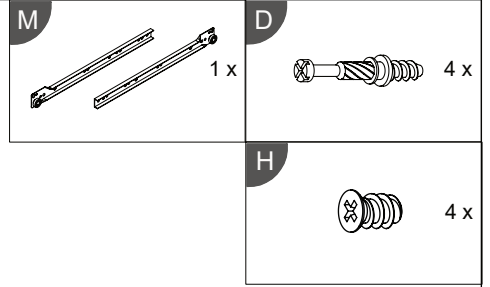
STEP 1



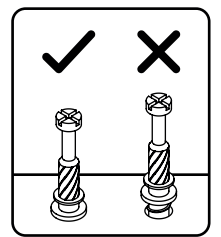
PLEASE ENSURE TO FIX THE SCREWS AS PER ABOVE POINTED HOLES INSTRUCTION TO AVOID DISTORTION OF OVERALL LOOK OF PRODUCTS



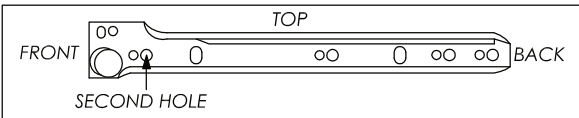
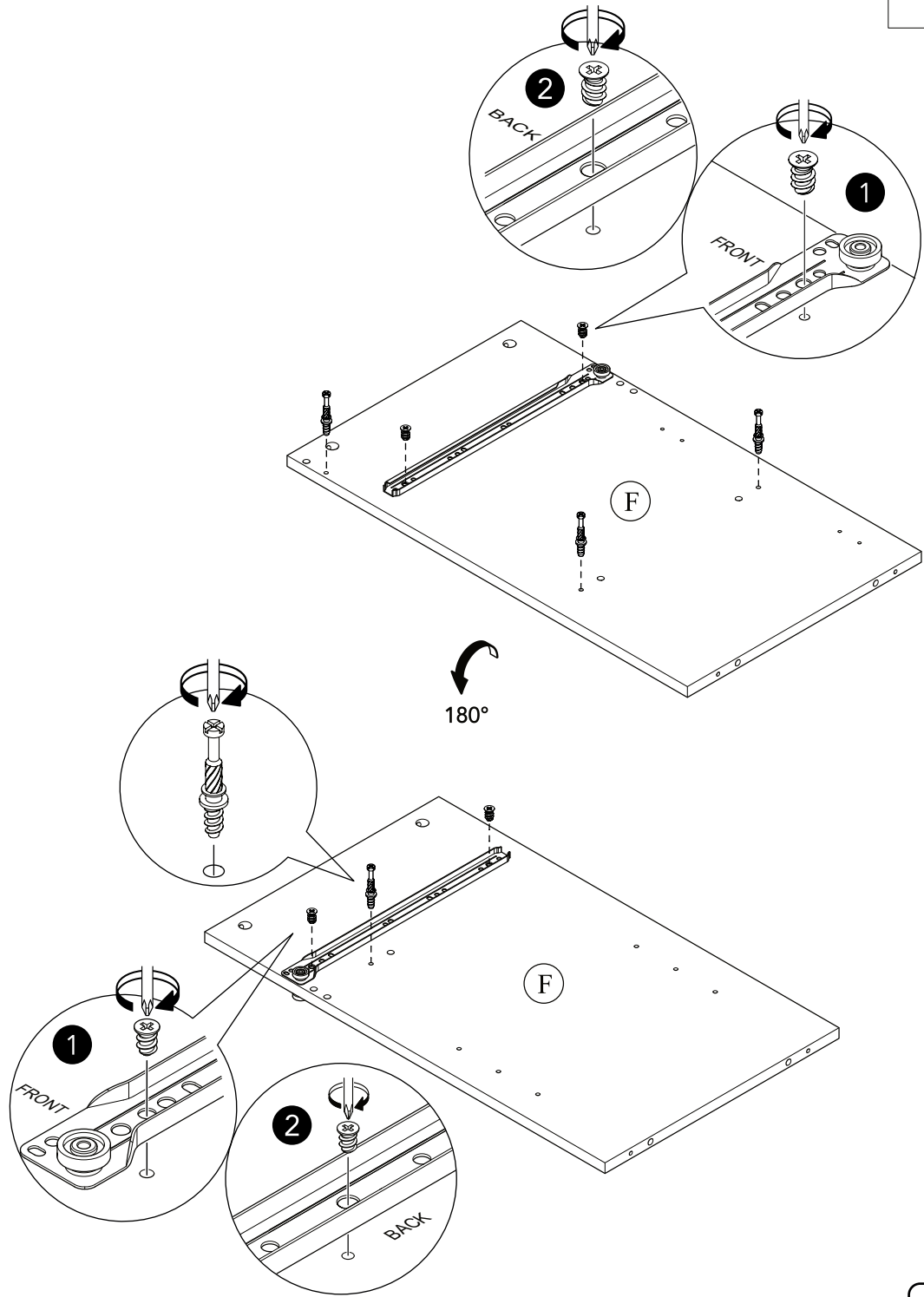
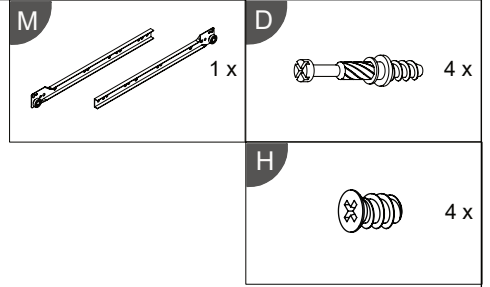
STEP 2



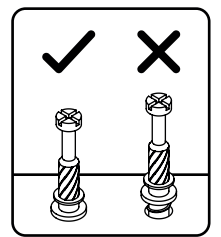
PLEASE ENSURE TO FIX THE SCREWS AS PER ABOVE POINTED HOLES INSTRUCTION TO AVOID DISTORTION OF OVERALL LOOK OF PRODUCTS



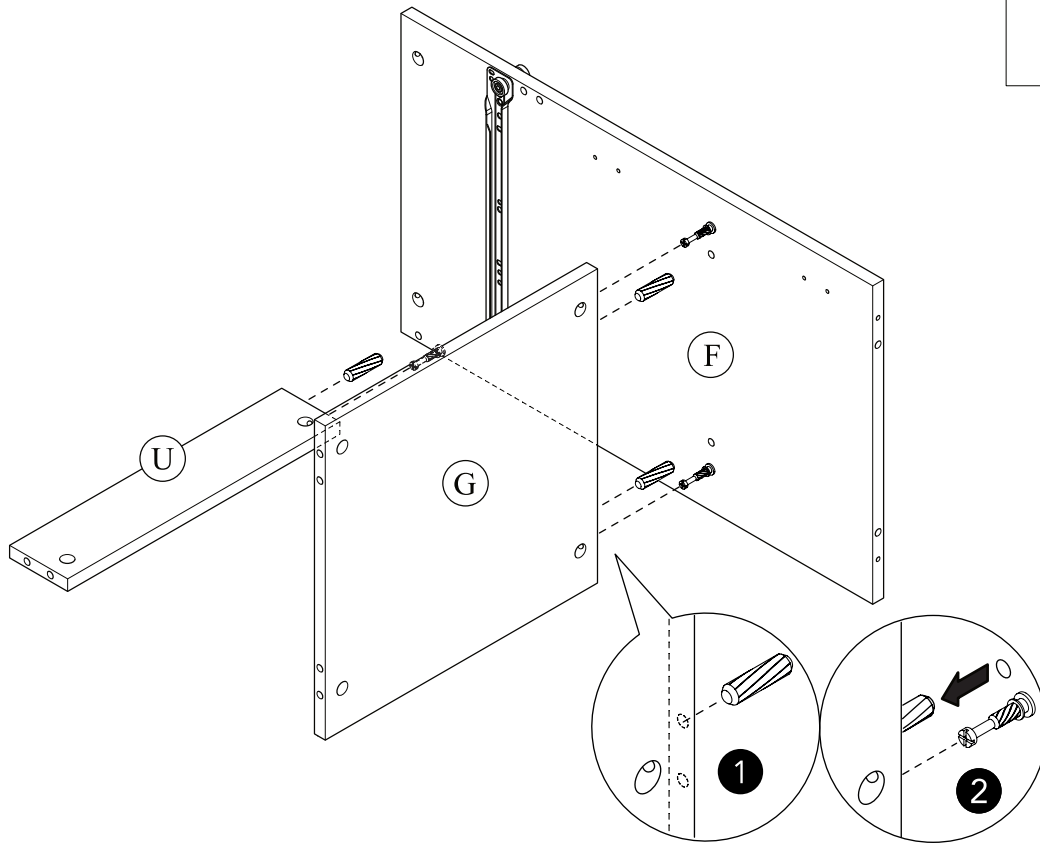
STEP 3



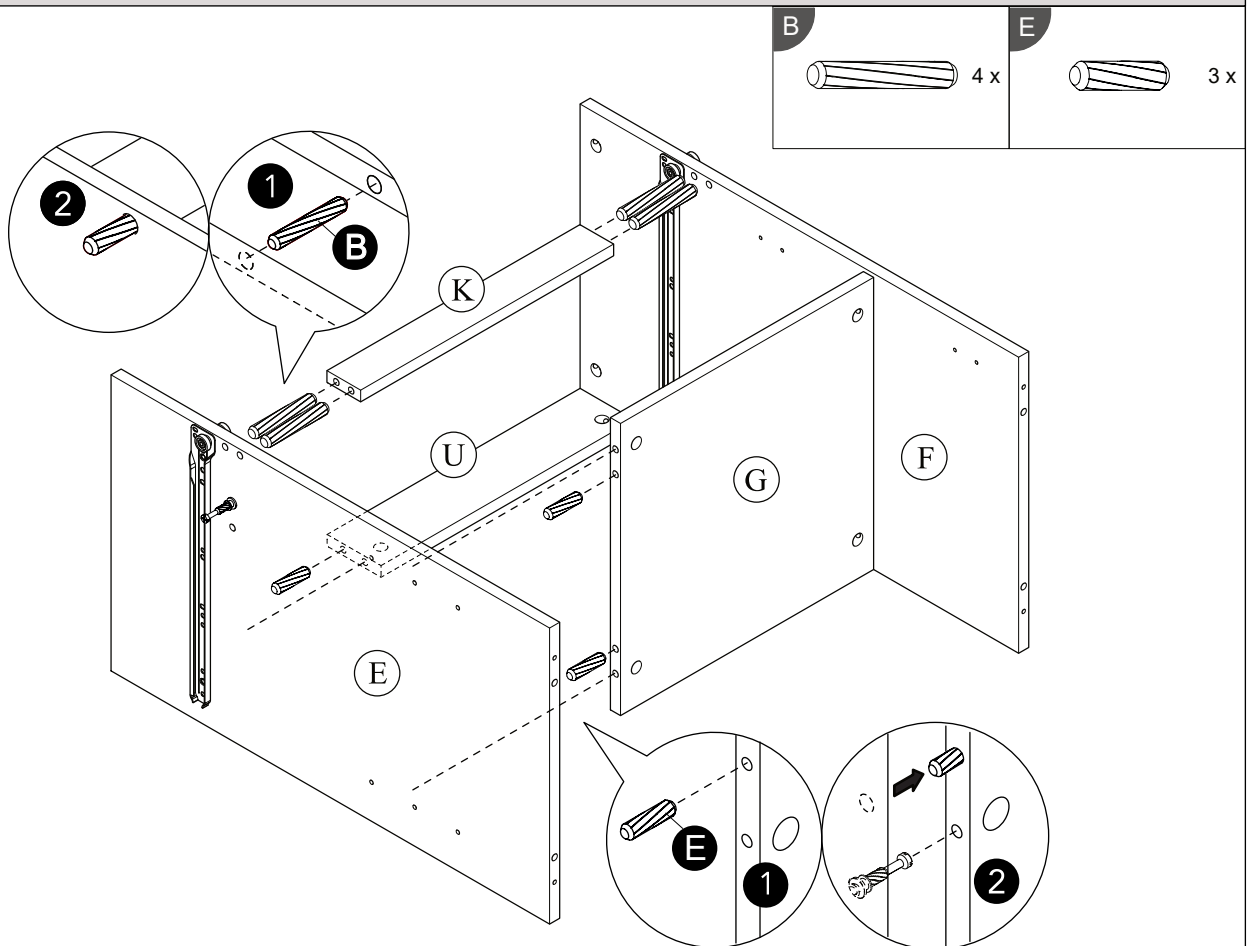
PLEASE ENSURE TO FIX THE SCREWS AS PER ABOVE POINTED HOLES INSTRUCTION TO AVOID DISTORTION OF OVERALL LOOK OF PRODUCTS



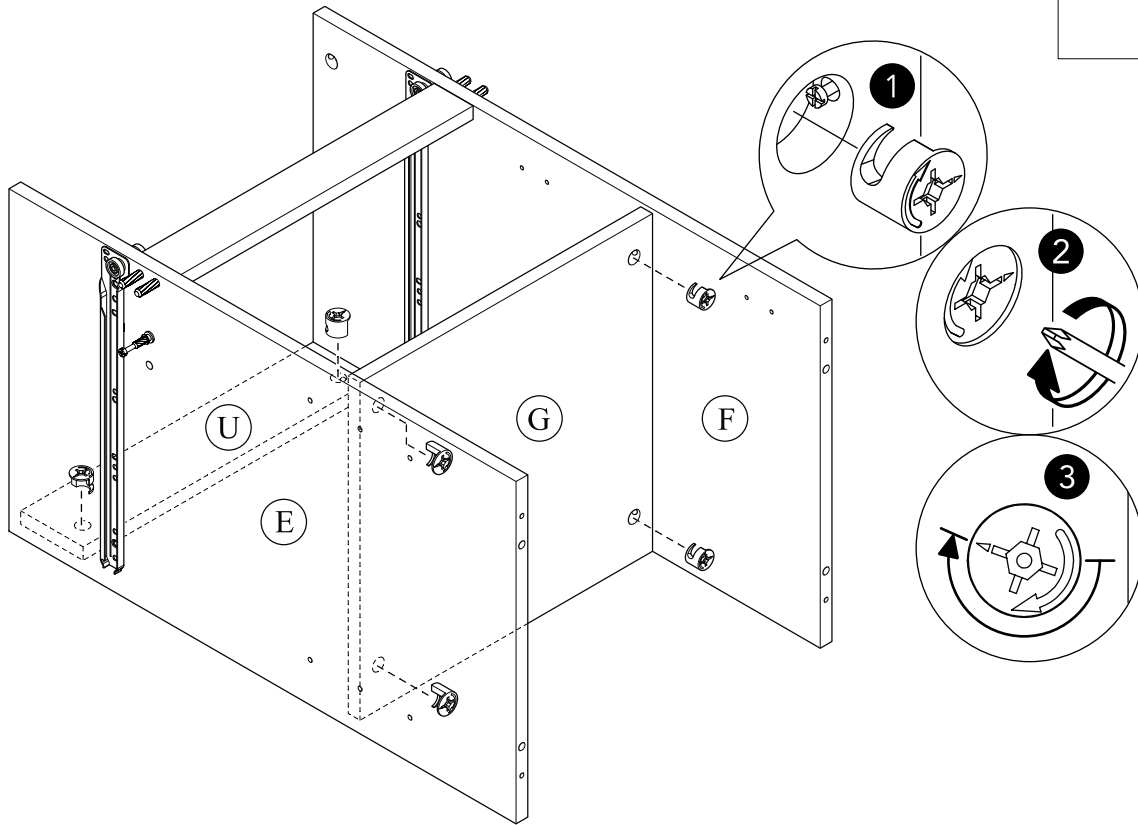
STEP 4



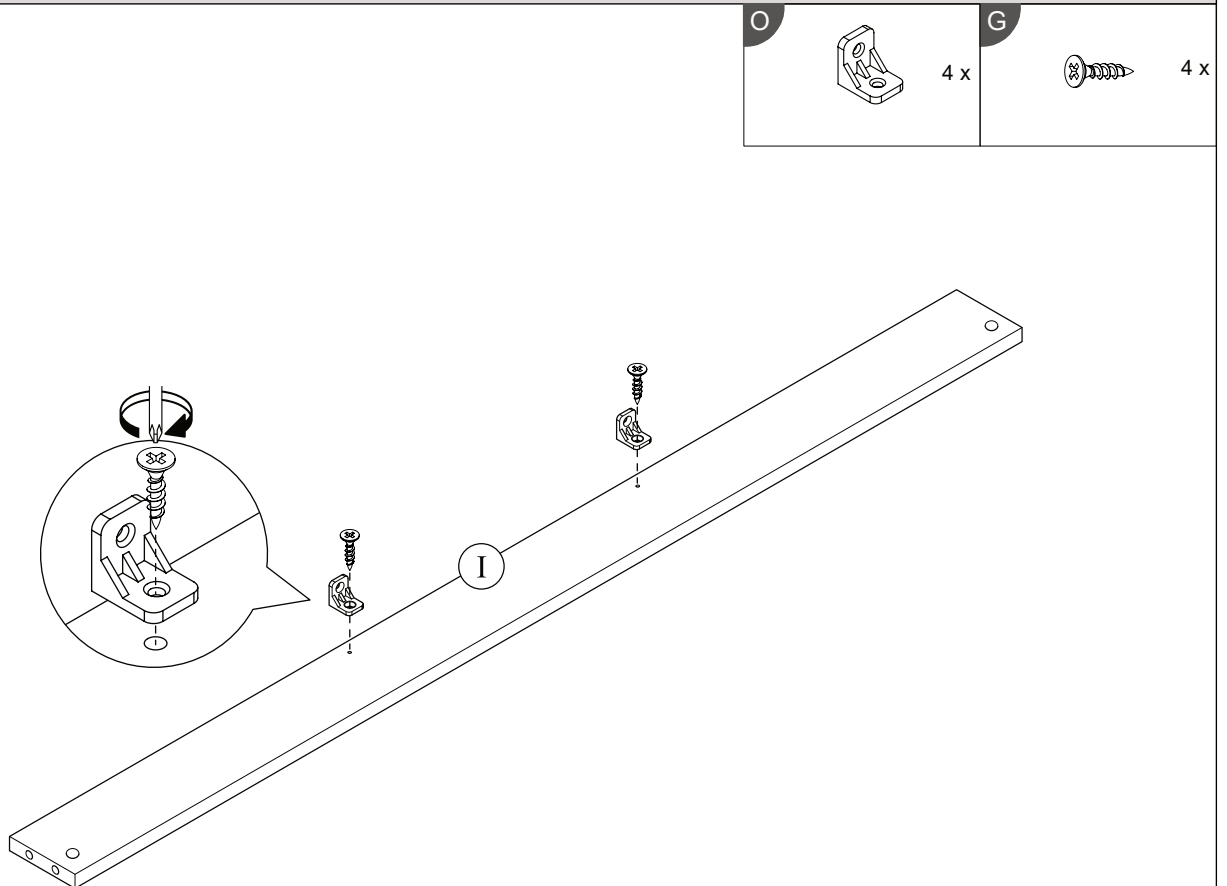
STEP 5



STEP 6

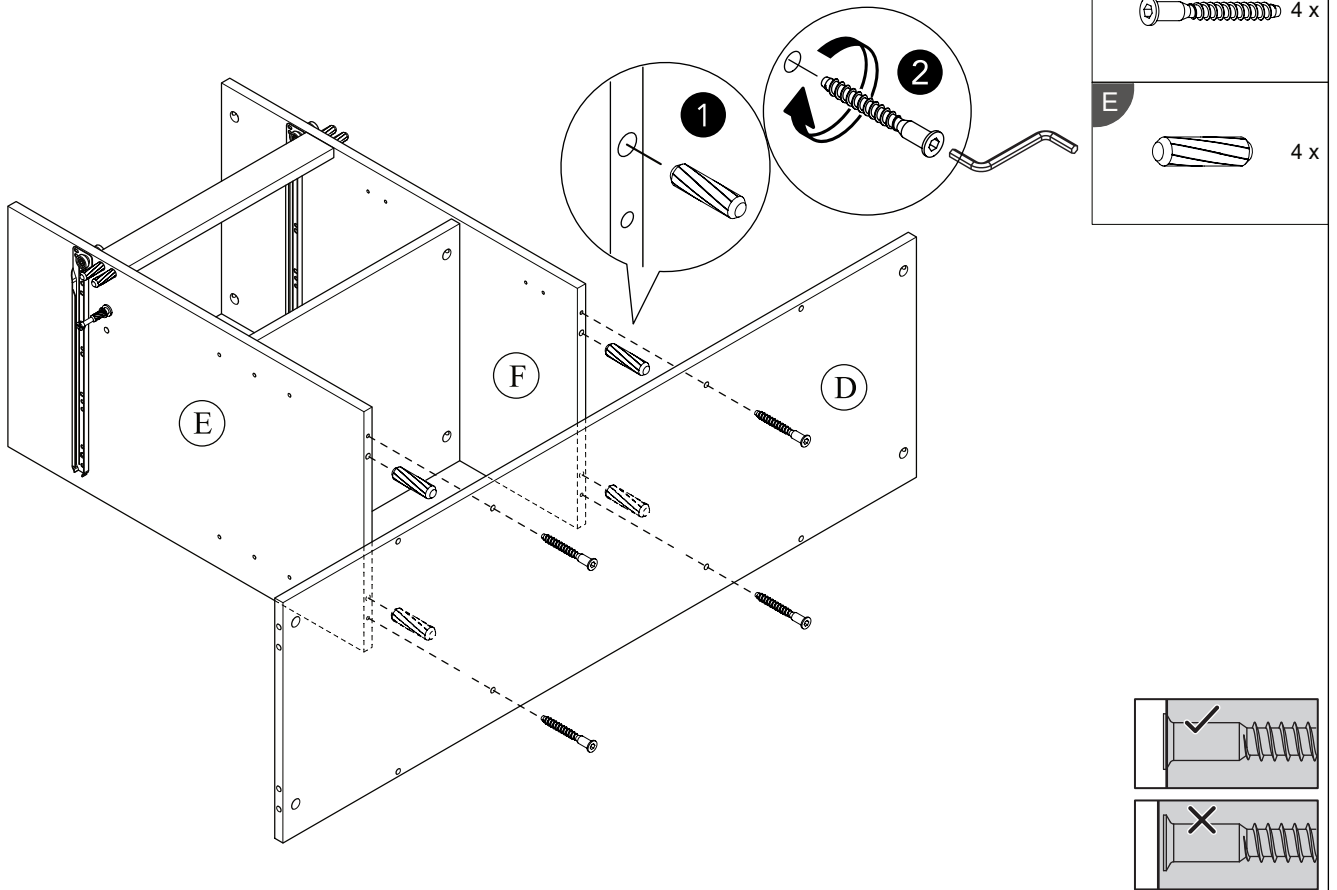


STEP 7

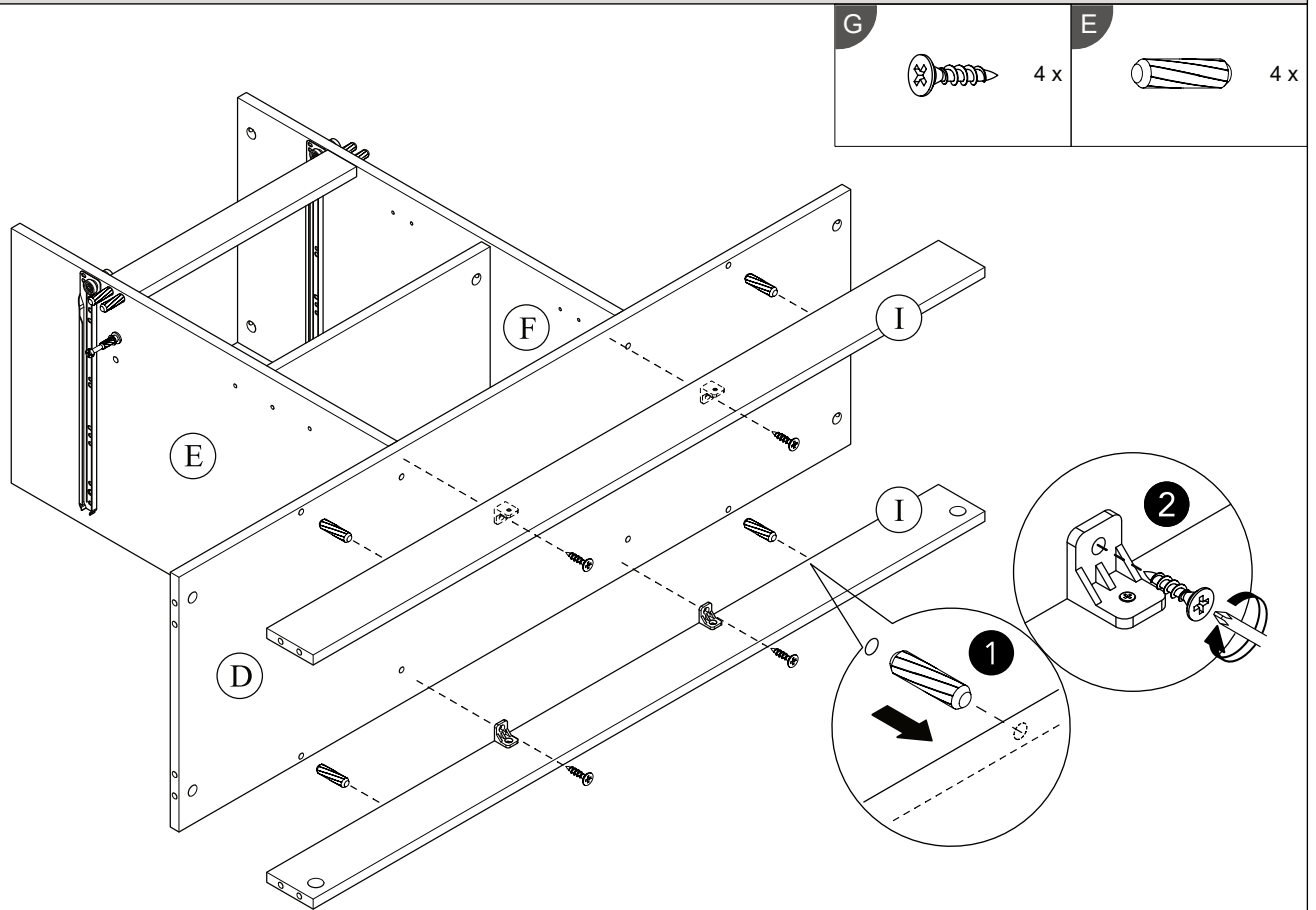


(2x)

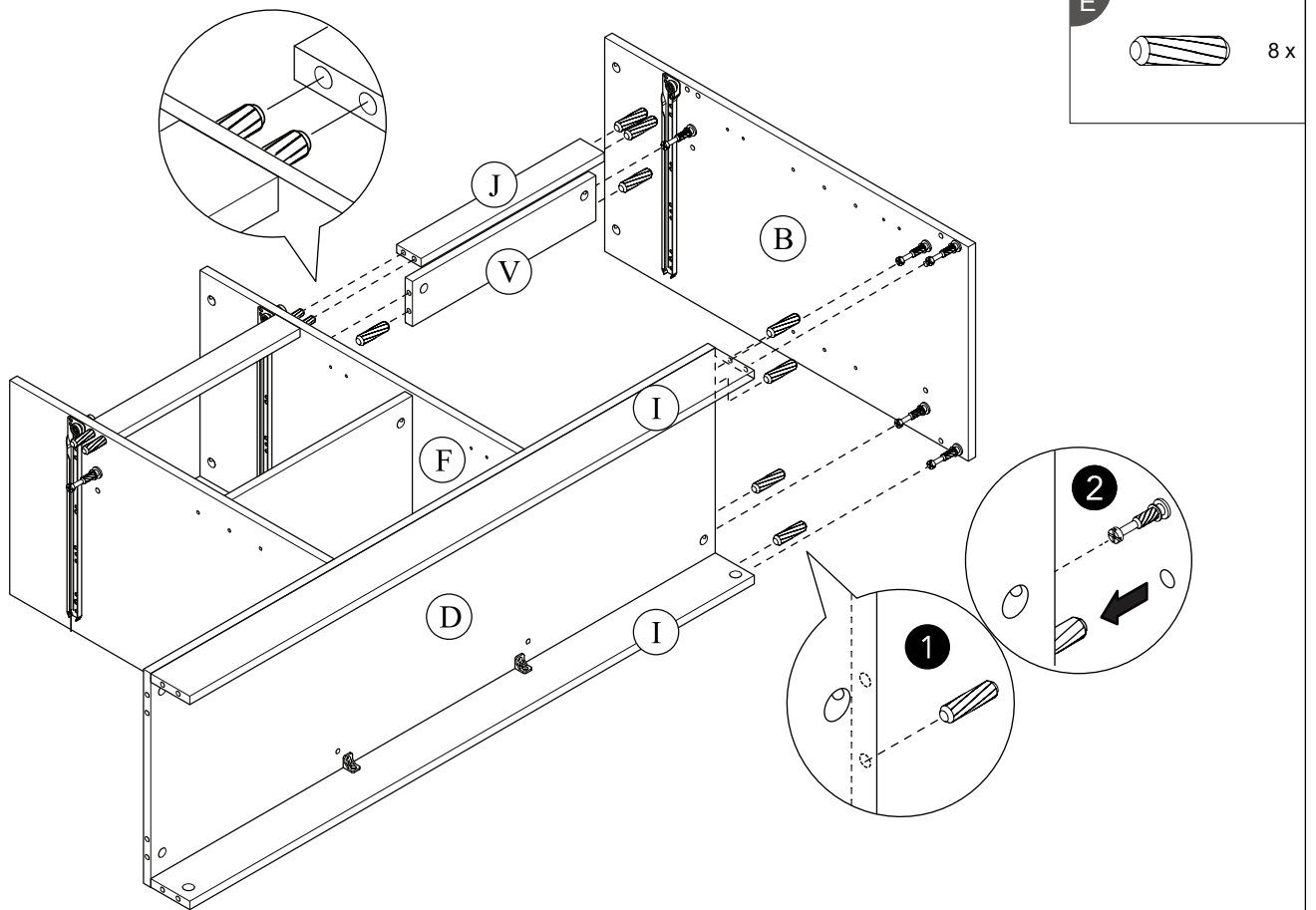
STEP 8



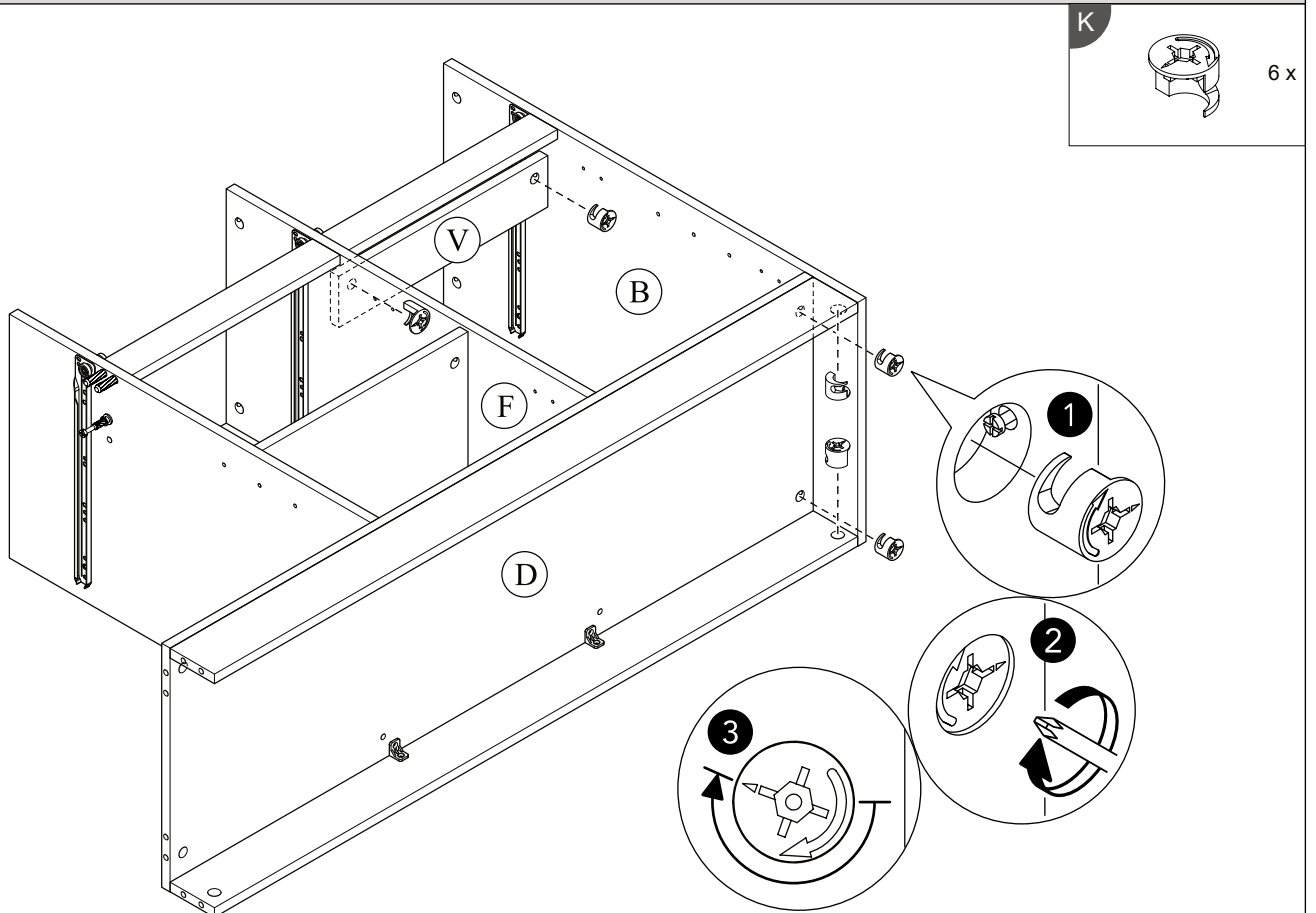
STEP 9



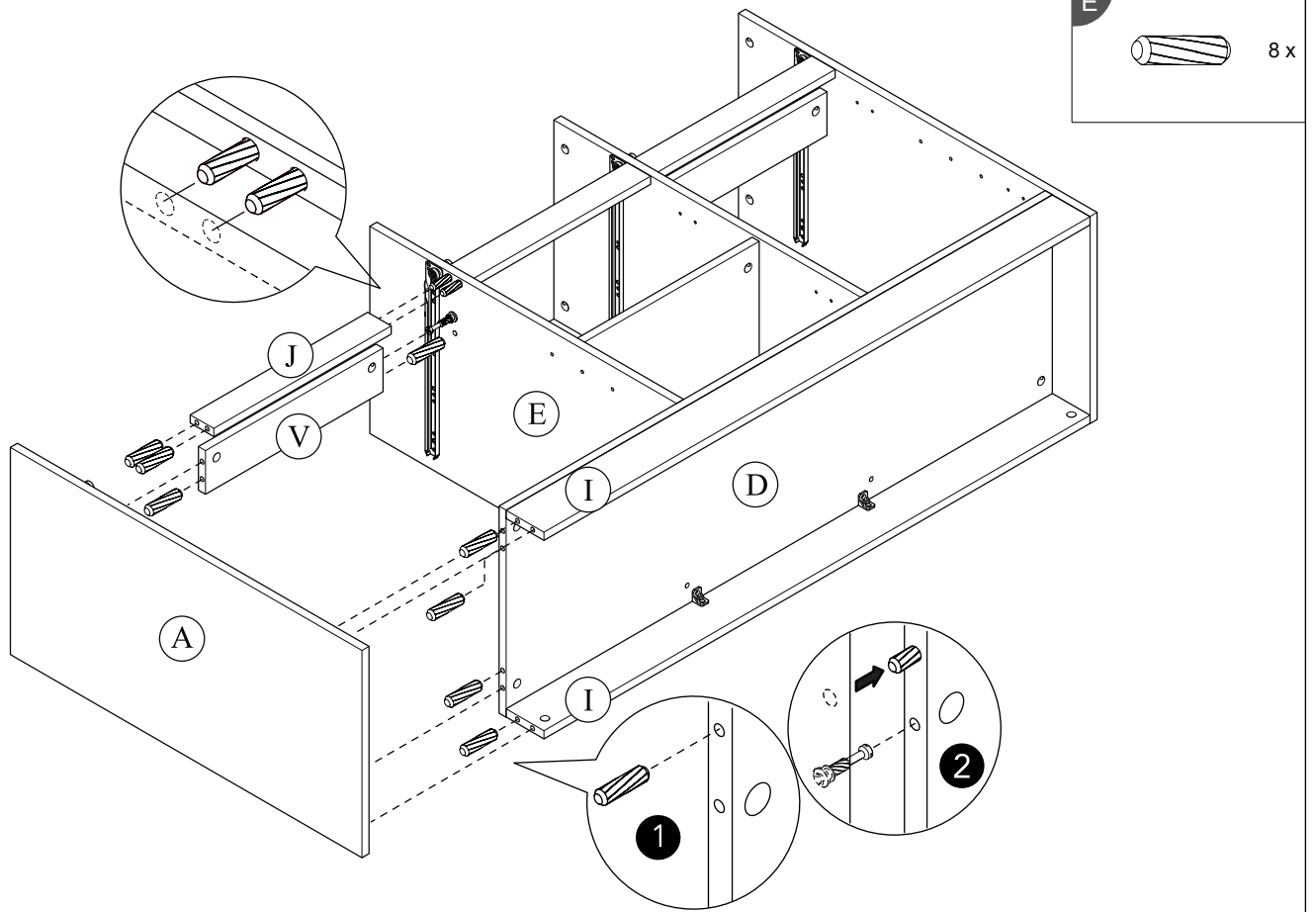
STEP 10



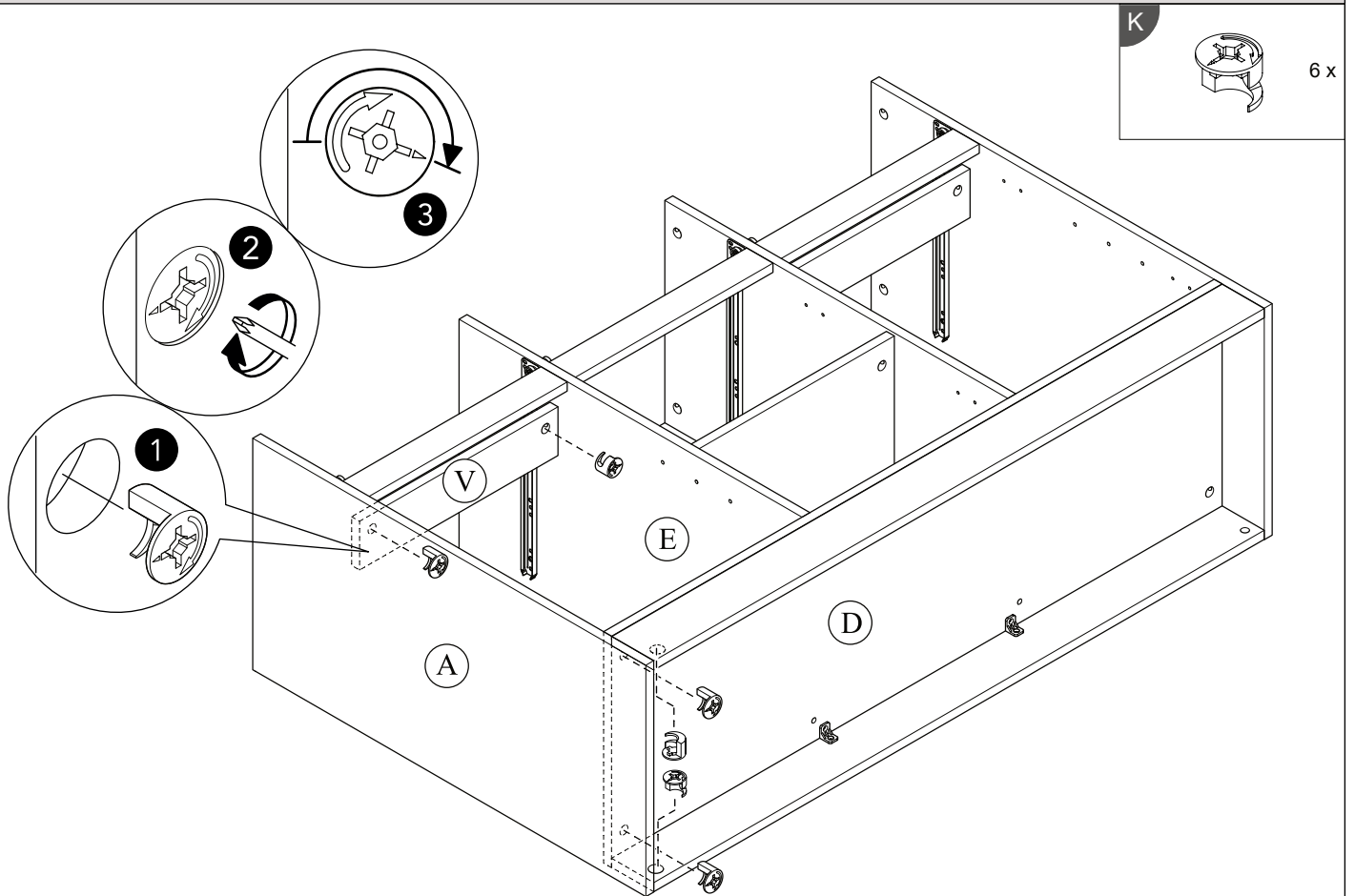
STEP 11



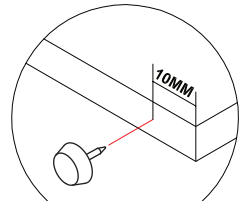
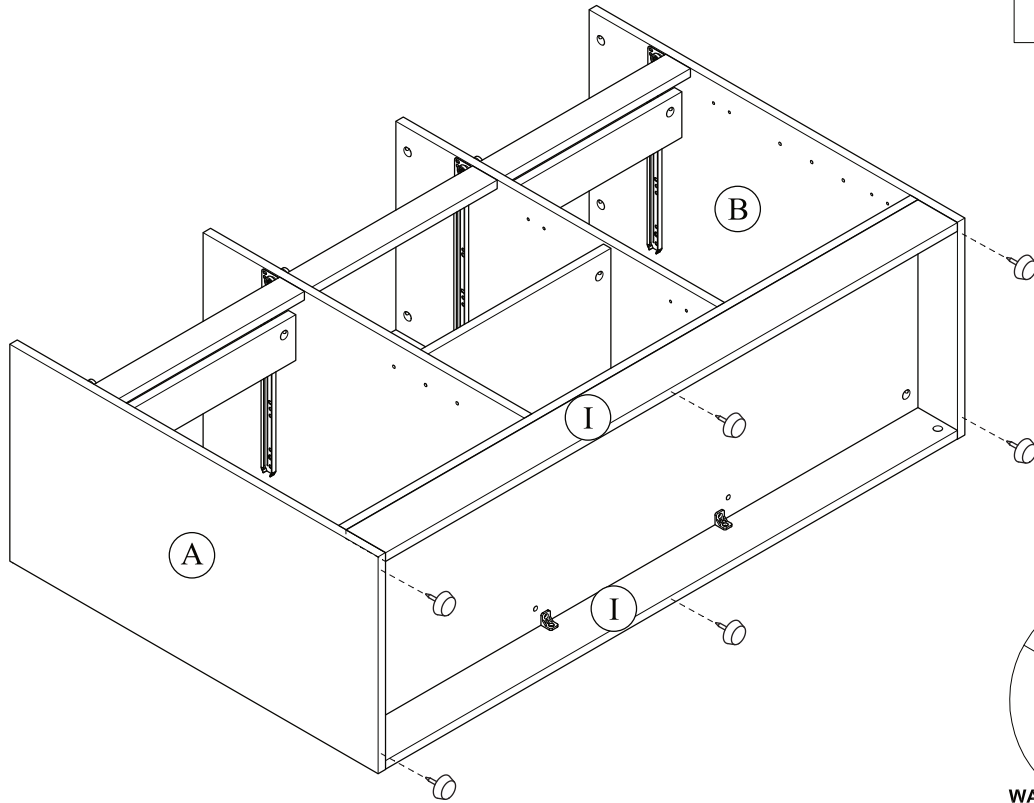
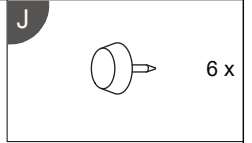
STEP 12



STEP 13

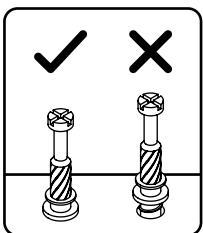
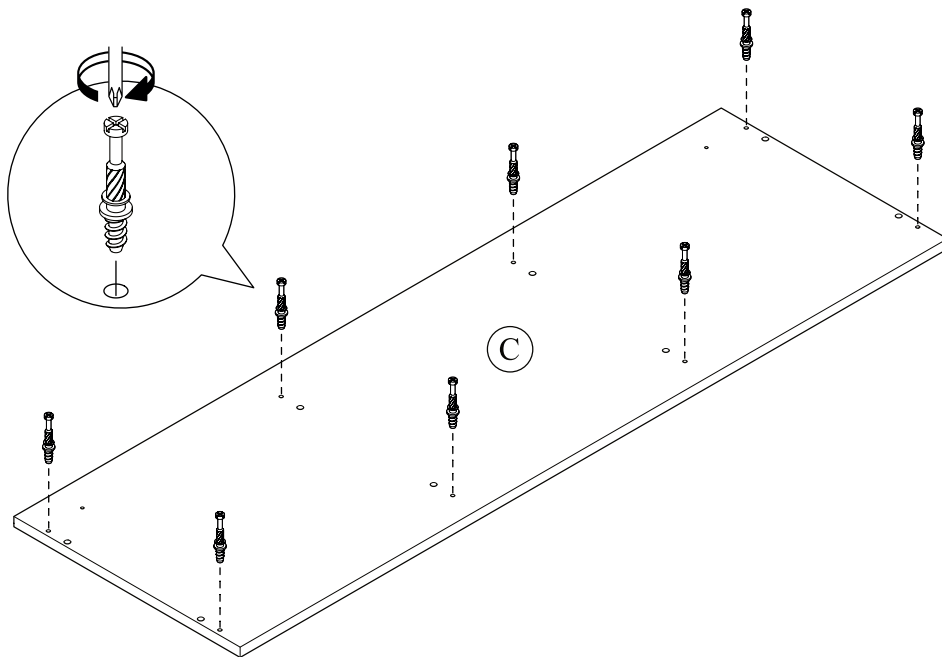
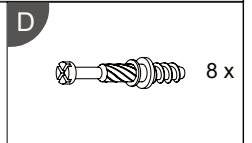


STEP 14

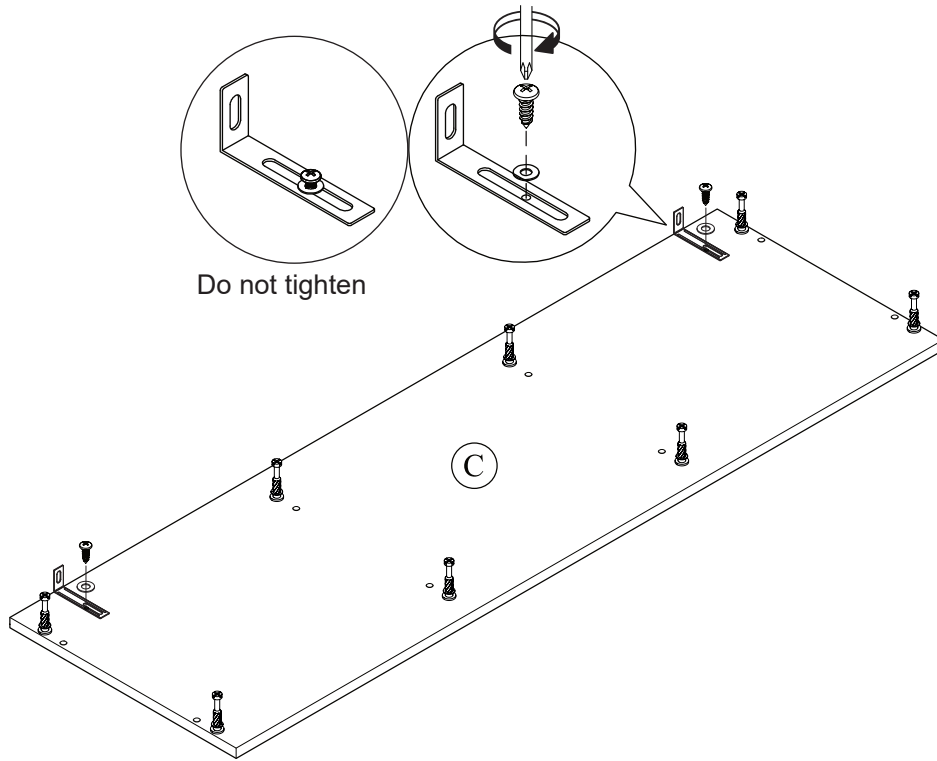
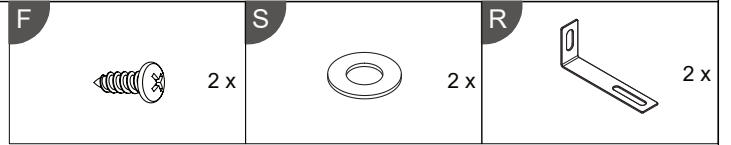


WARNING : THE FRONT NAIL LEG MUST FIX AT 10MM FROM FRONT.

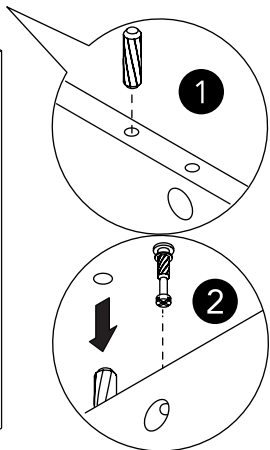
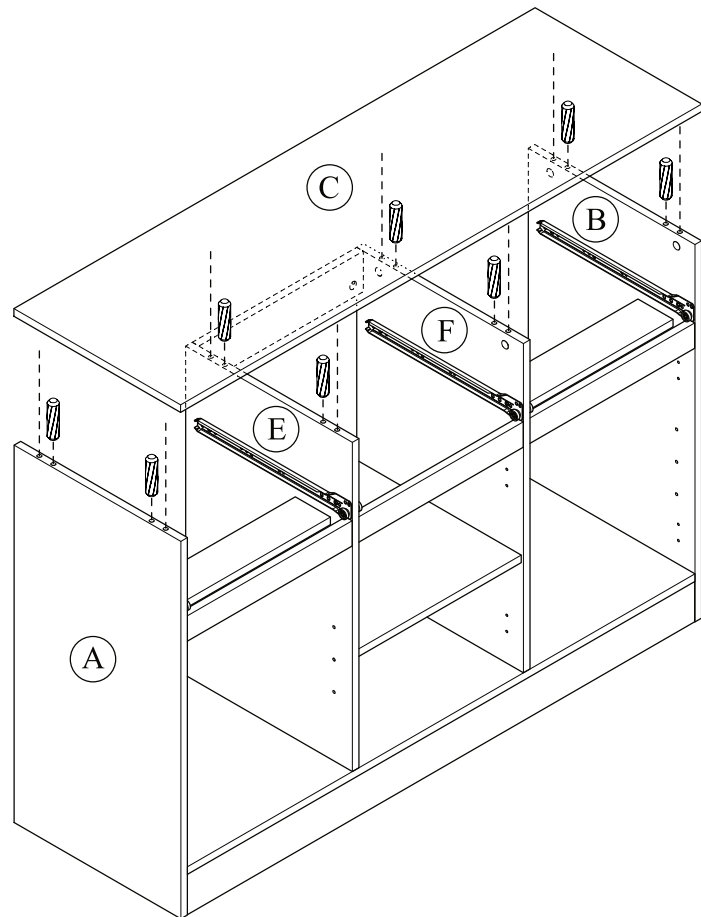
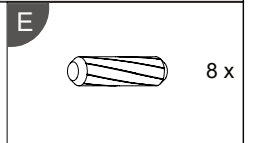
STEP 15



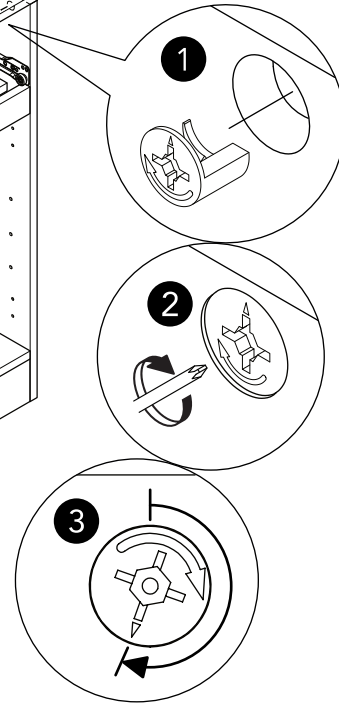
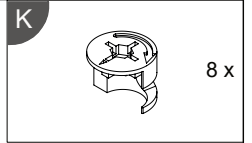
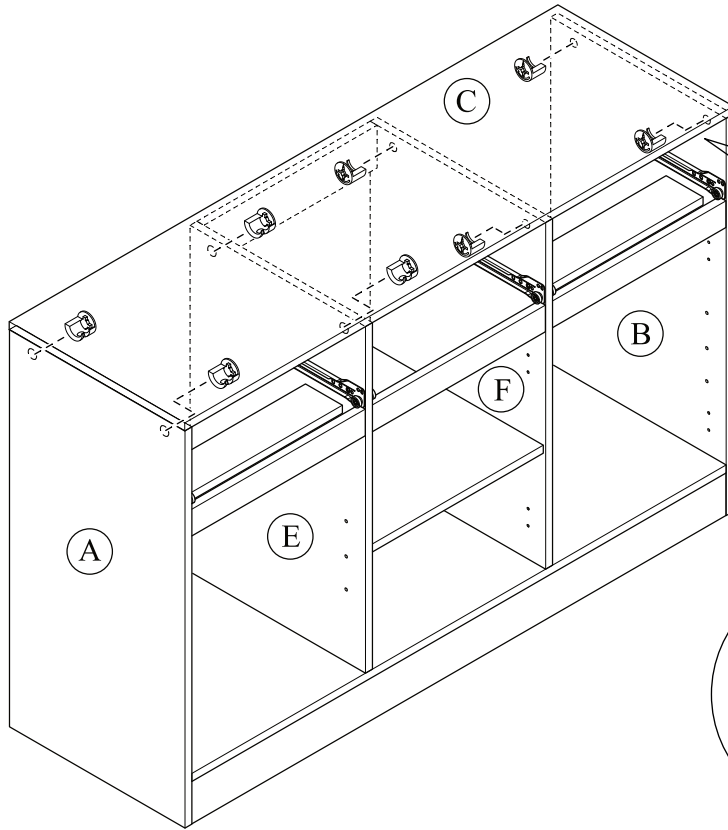
STEP 16



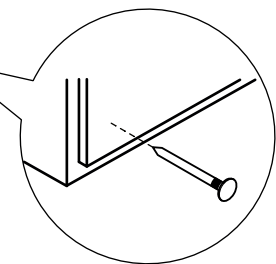
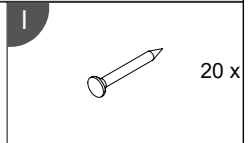
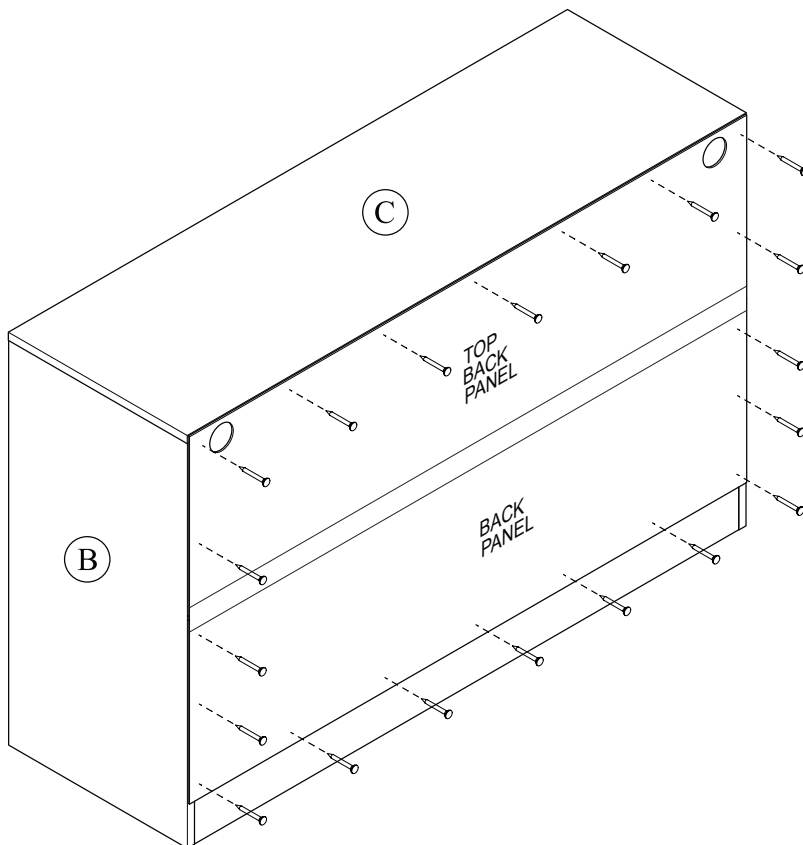
STEP 17



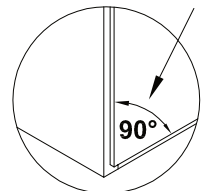
STEP 18



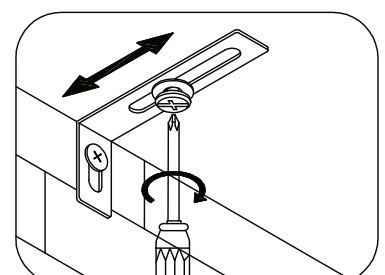
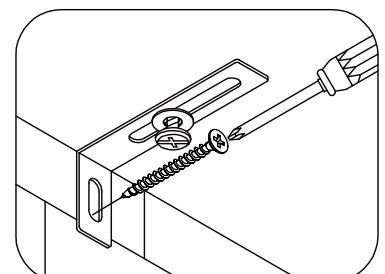
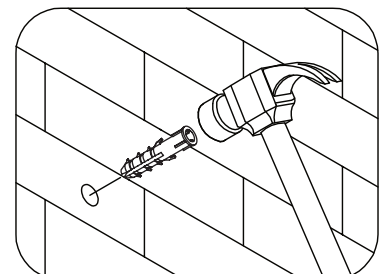
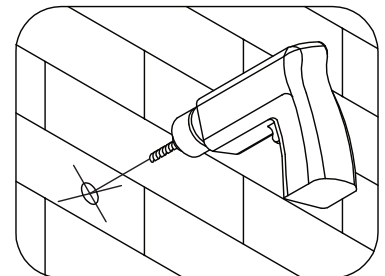
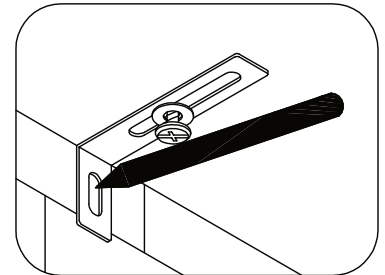
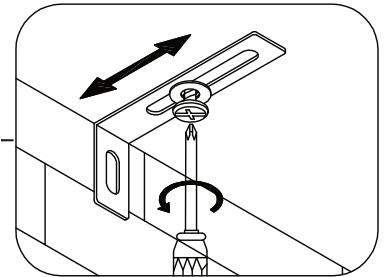
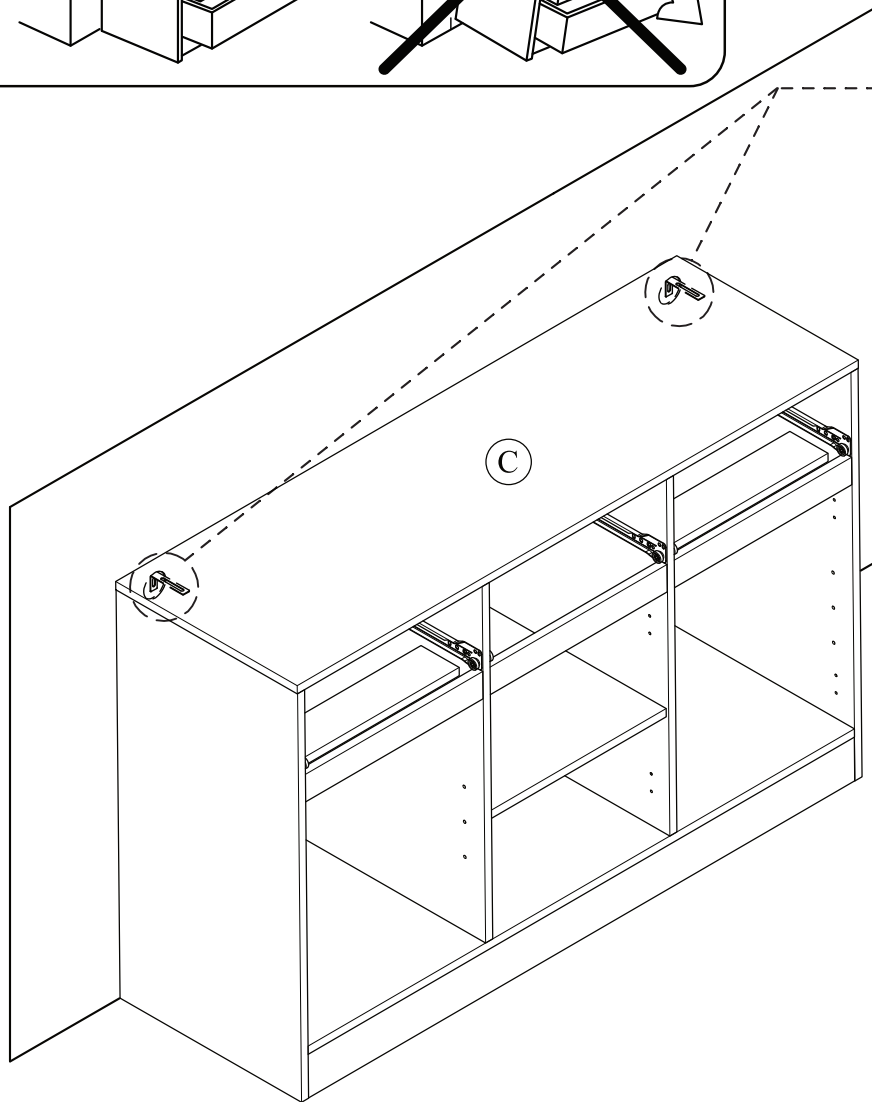
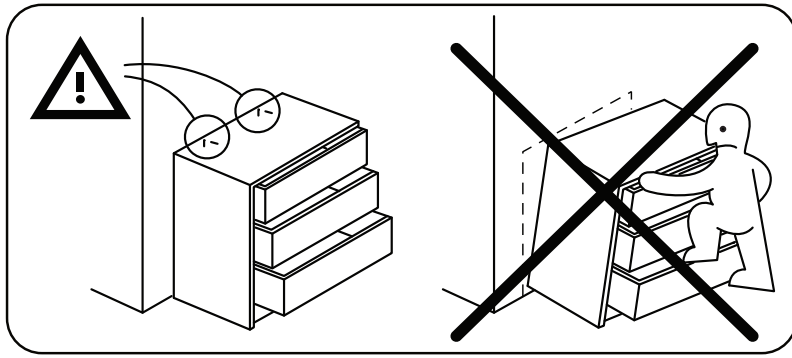
STEP 19



PLEASE ENSURE THAT EACH OF THE FOUR CORNERS OF THE CABINET IS SQUARE.



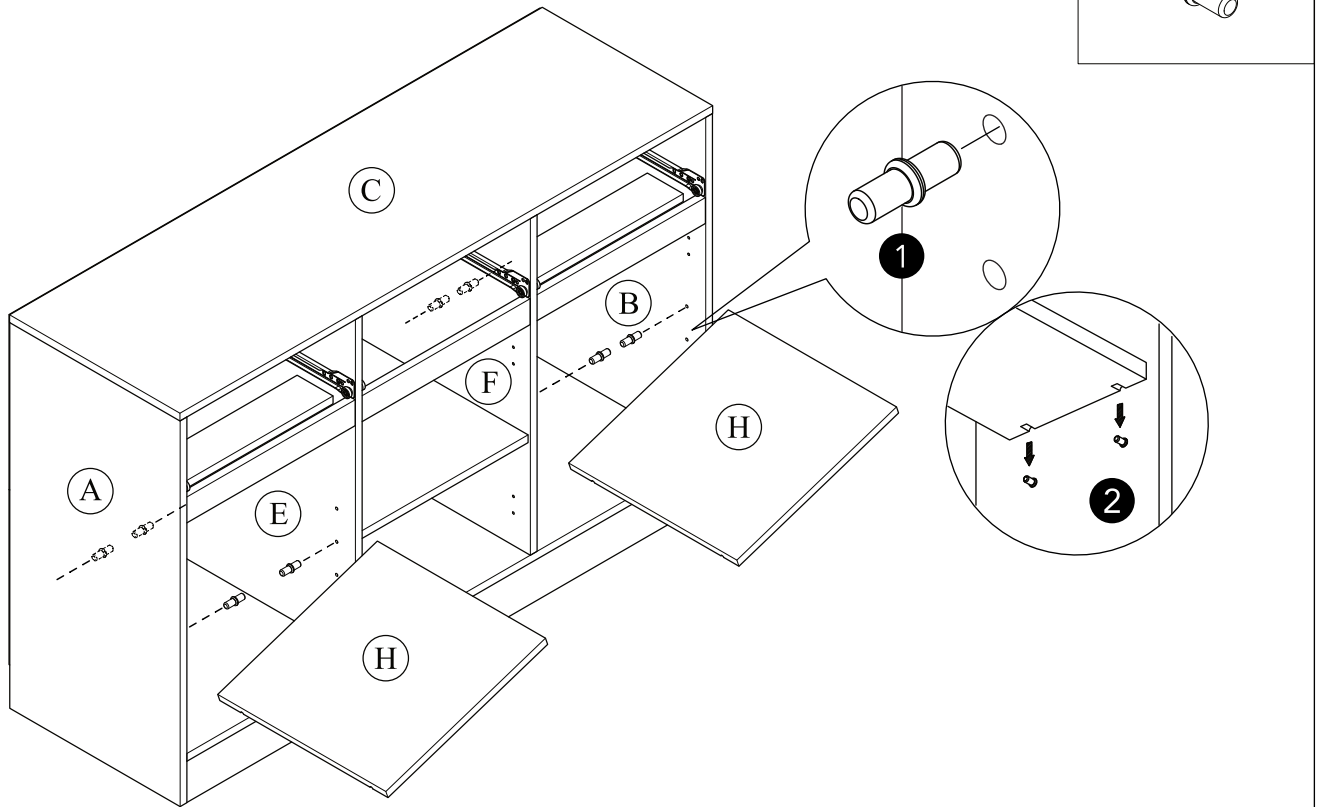
STEP 20



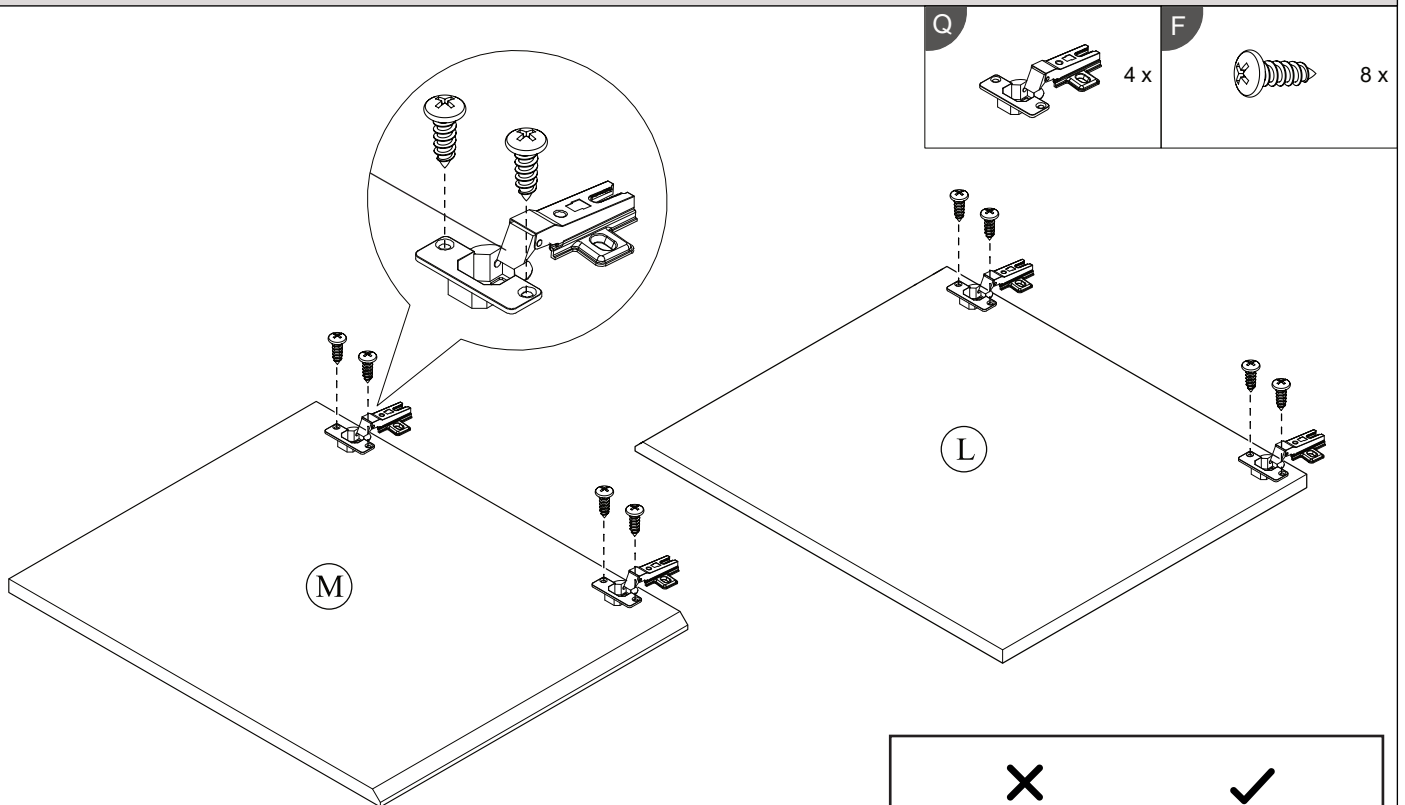
NOTE : Wall fixing are not supplied with this product as different wall materials require different types of fixing devices (such as Rawl plugs on brick work). You must use fixing devices suitable for the type of wall you intend to mount this product to. Please ensure that the head of any screw used has a diameter greater than the diameter of the mounting hole on the product and that the fixing is safe and secure before use.

The screws and washers which fix the brackets to furniture panels are included in your pack.

STEP 21




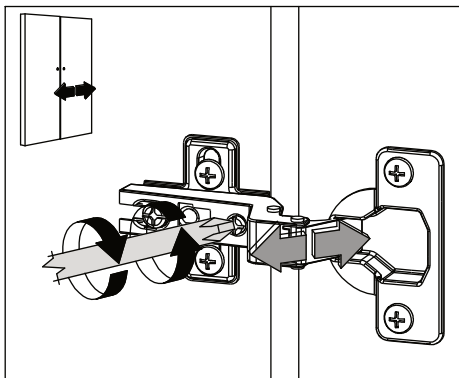
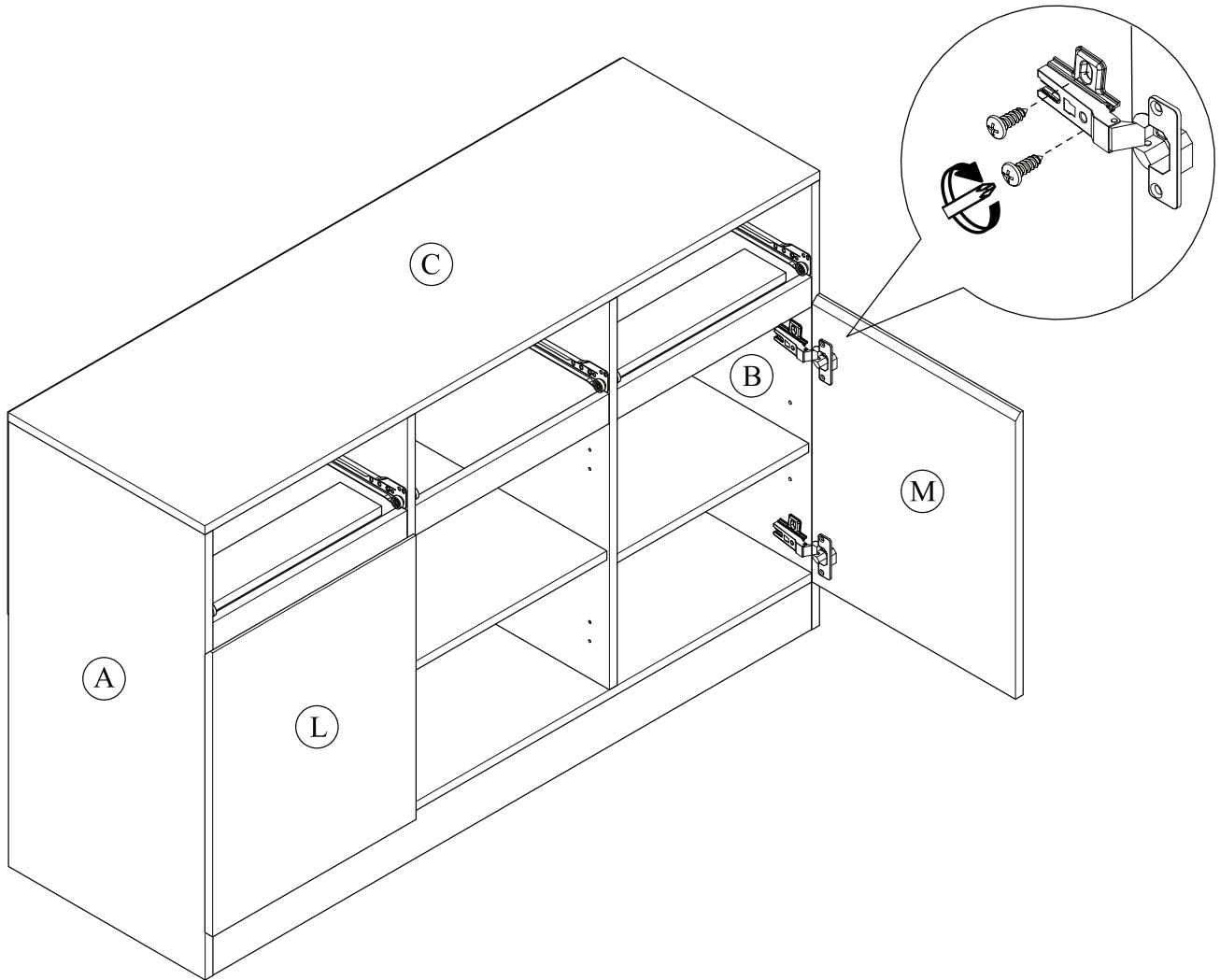
STEP 22



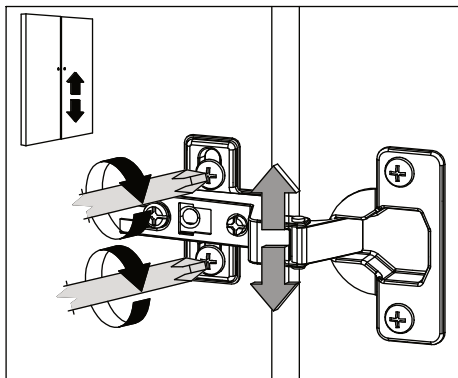
IMPORTANT ENSURE TYPE "Q" BRACKET IS SELECTED FOR THESE DOOR

STEP 23

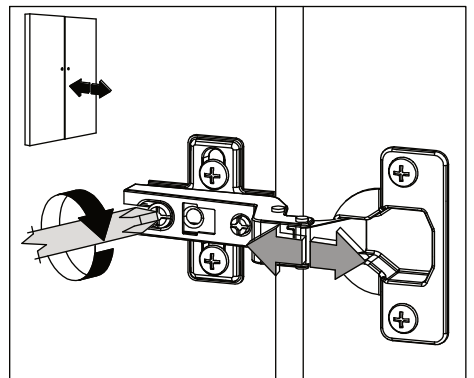
F  8 x



A. Lateral adjustment (Moving Door Left-Right) by screw adjusting

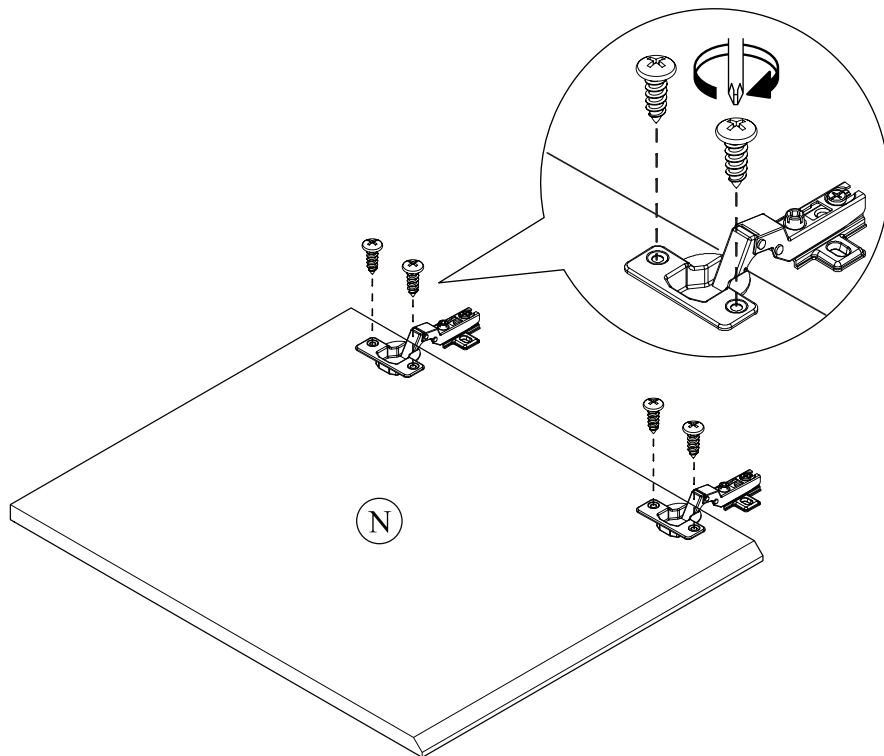
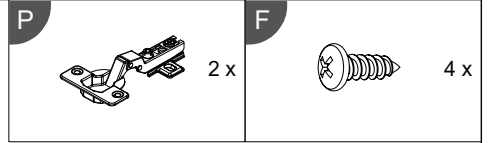


B. Vertical adjustment (Moving Door Up-Down) via slot in the mounting plate

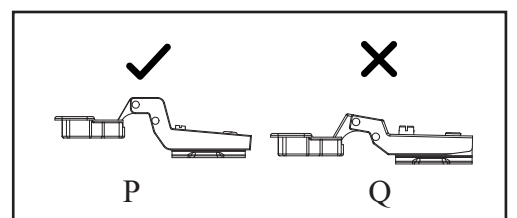


C. Front-to-back adjustment (Spacing Door Off Carcas) by slacking the hinge arm mounting screw


STEP 24

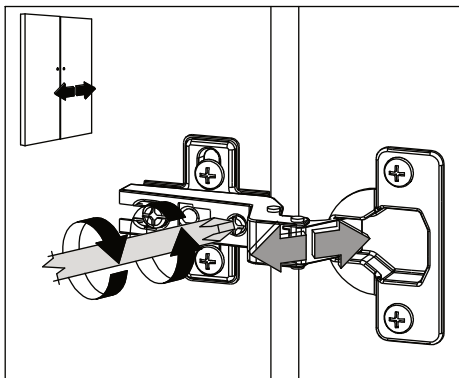
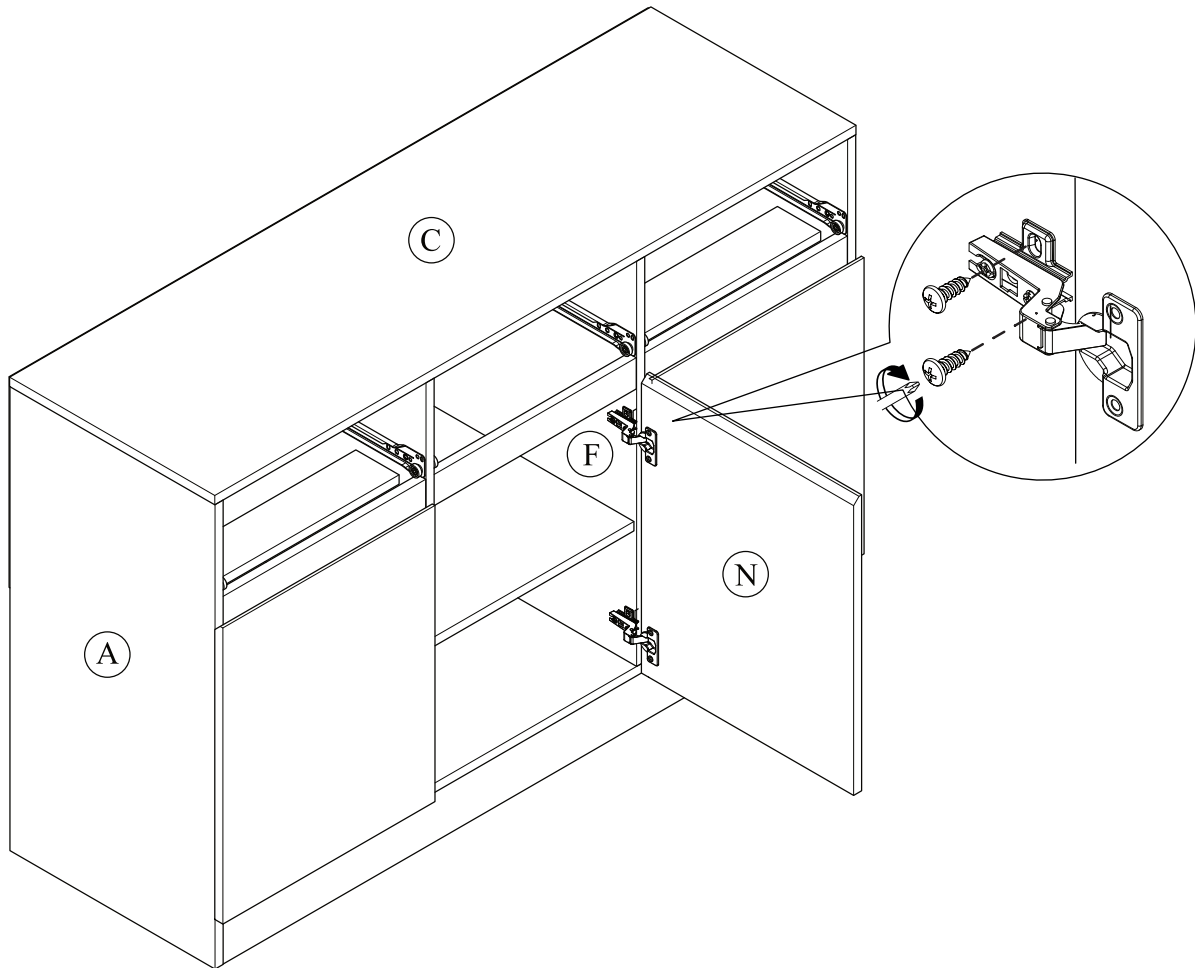


IMPORTANT ENSURE TYPE "P" BRACKET IS SELECTED FOR THESE DOOR

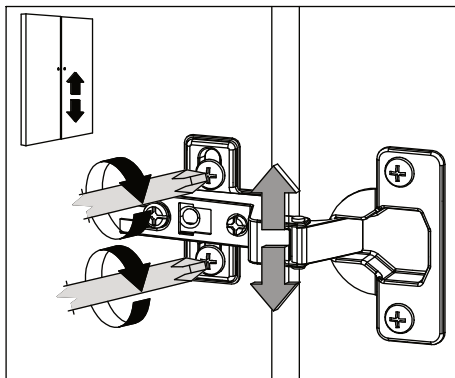


STEP 25

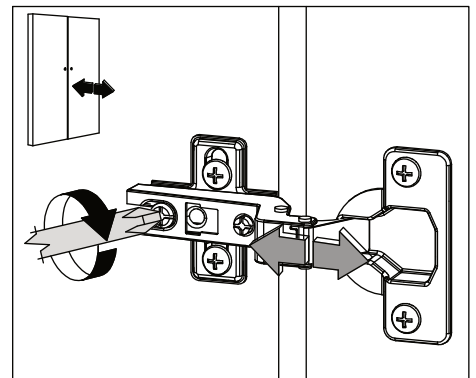
F
 4 x



A. Lateral adjustment (Moving Door Left-Right) by screw adjusting



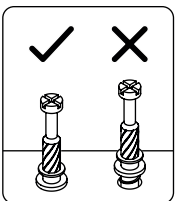
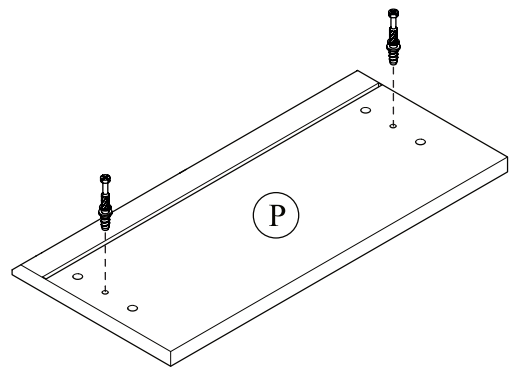
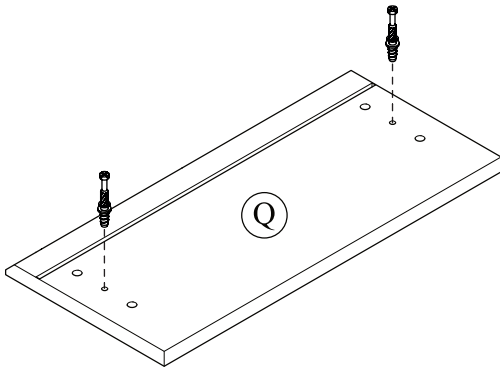
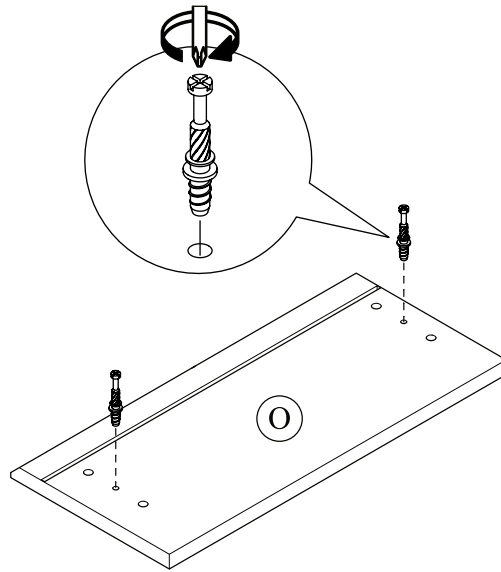
B. Vertical adjustment (Moving Door Up-Down) via slot in the mounting plate



C. Front-to-back adjustment (Spacing Door Off Carcas) by slacking the hinge arm mounting screw

STEP 26

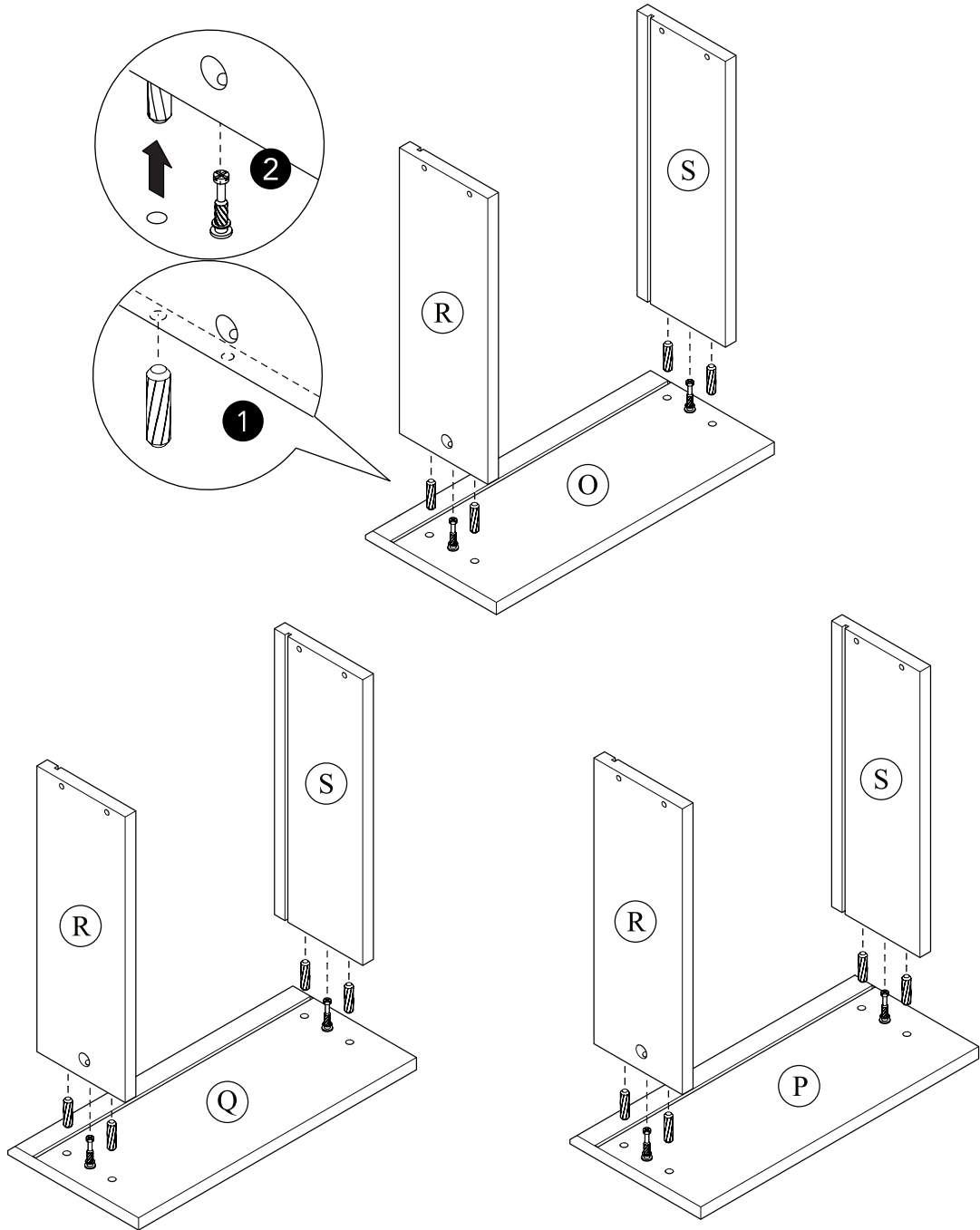
D



STEP 27

E

 12 x

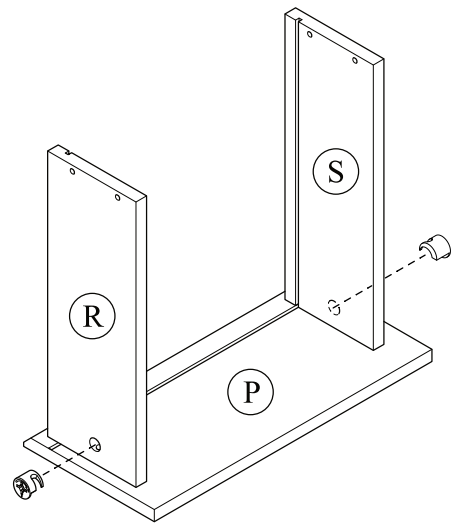
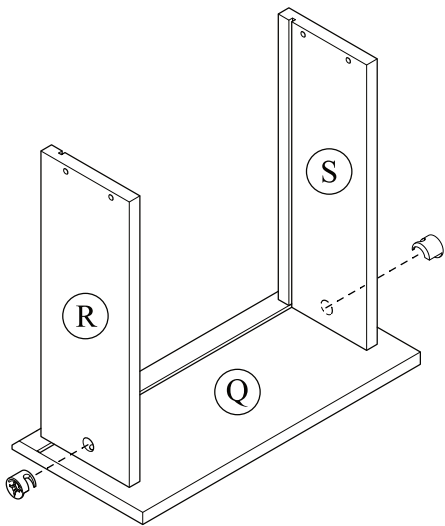
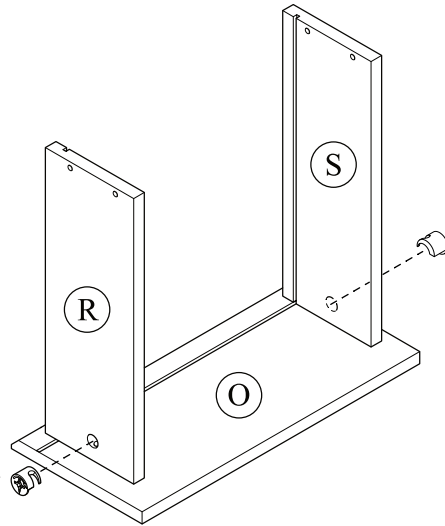
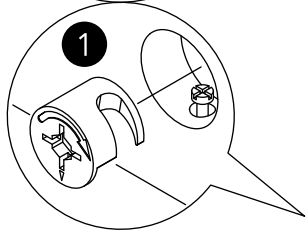
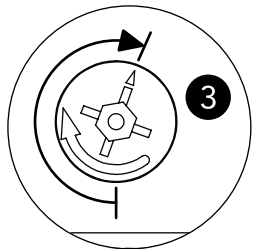


STEP 28

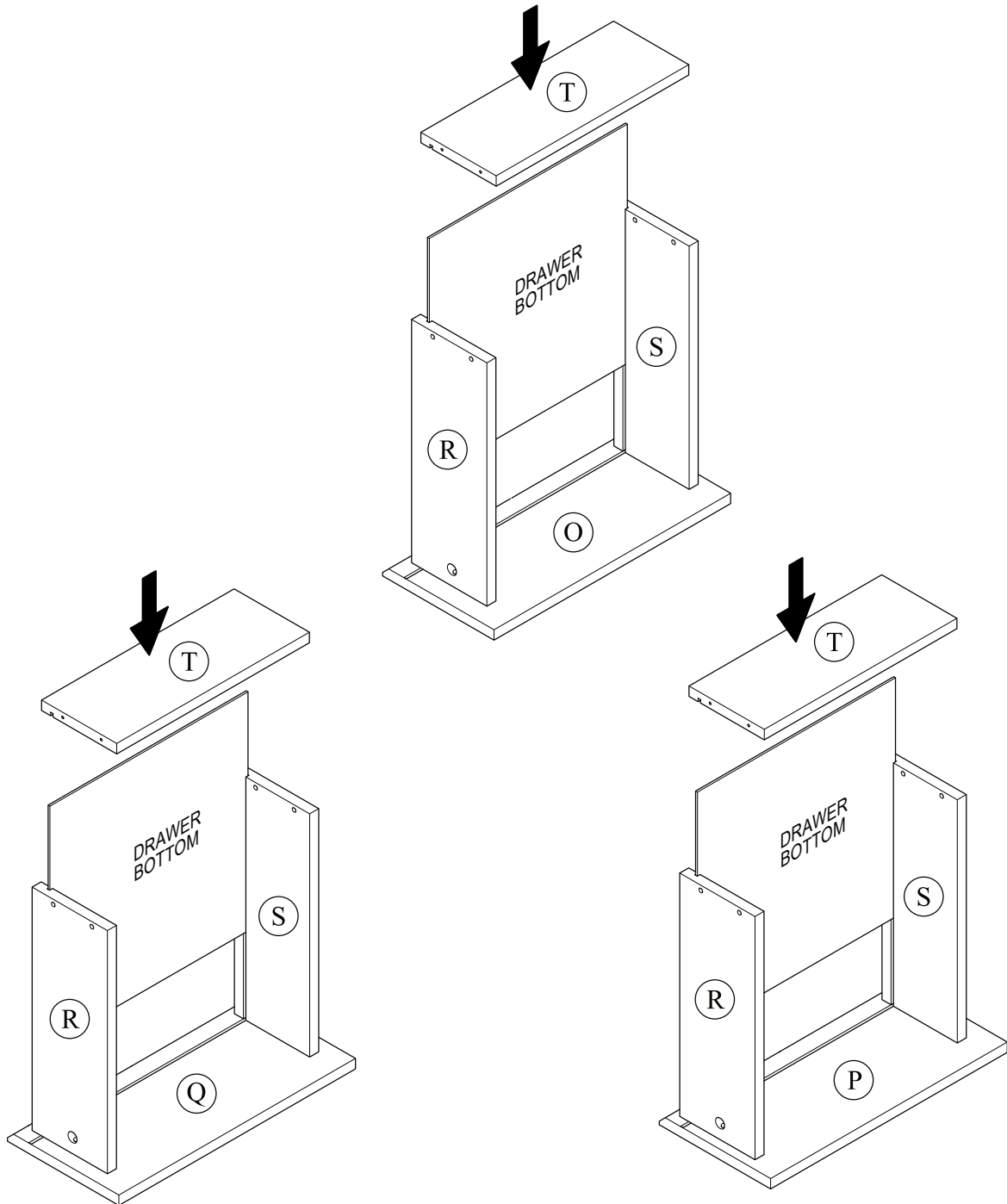
K



6 x

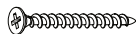


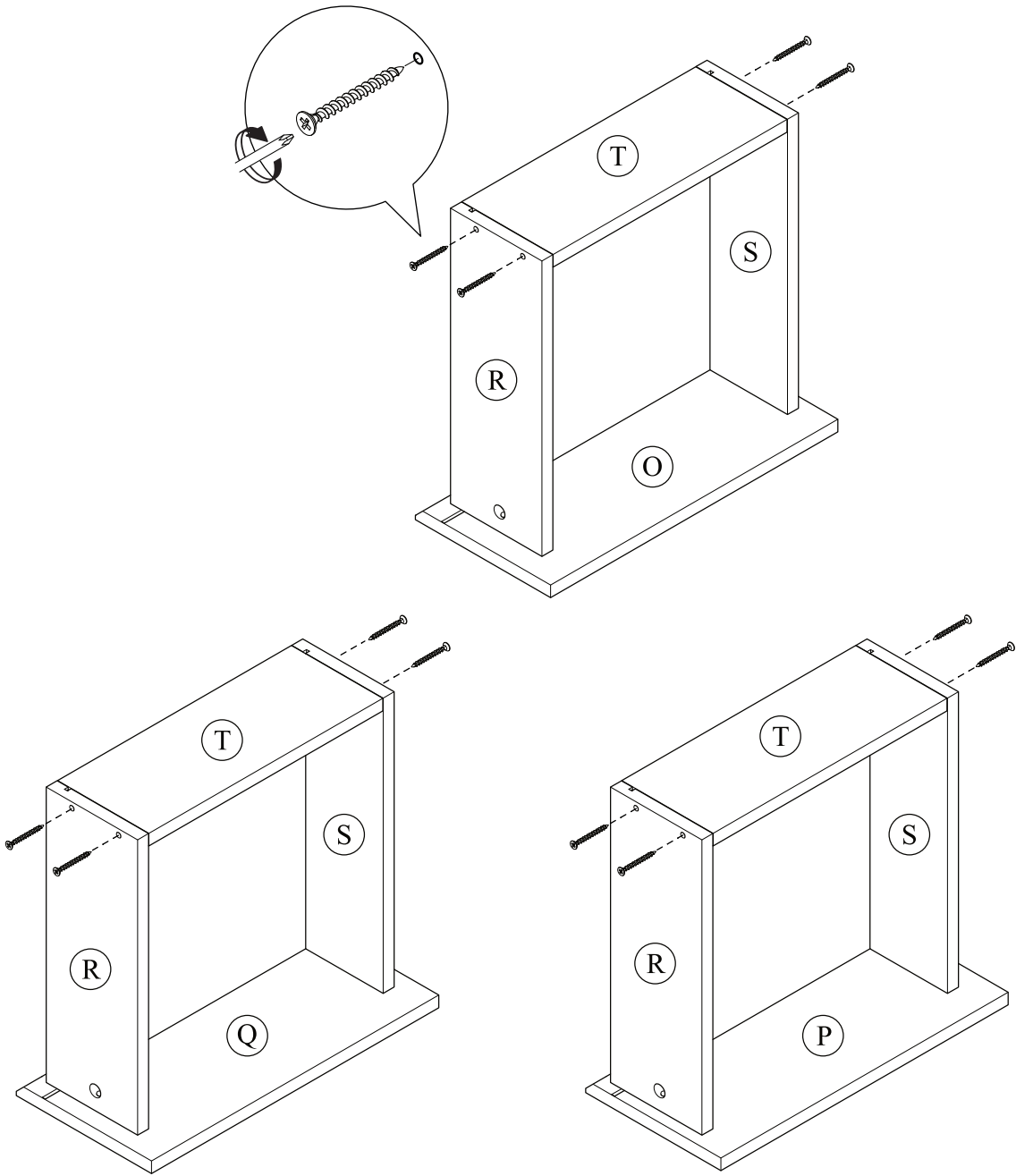
STEP 29



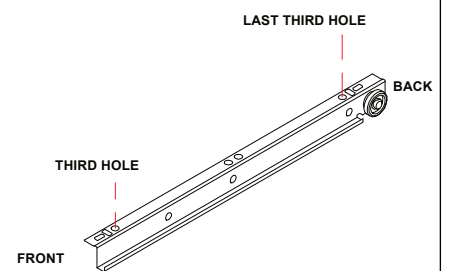
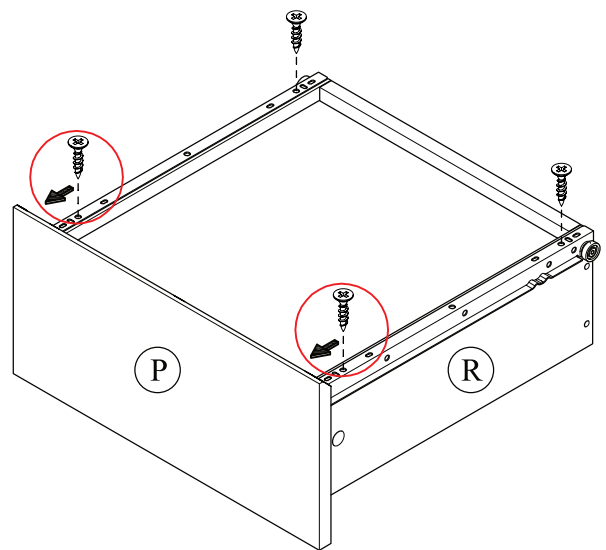
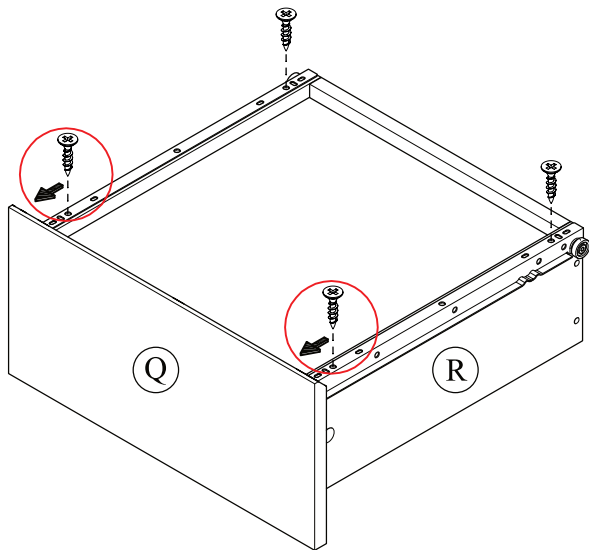
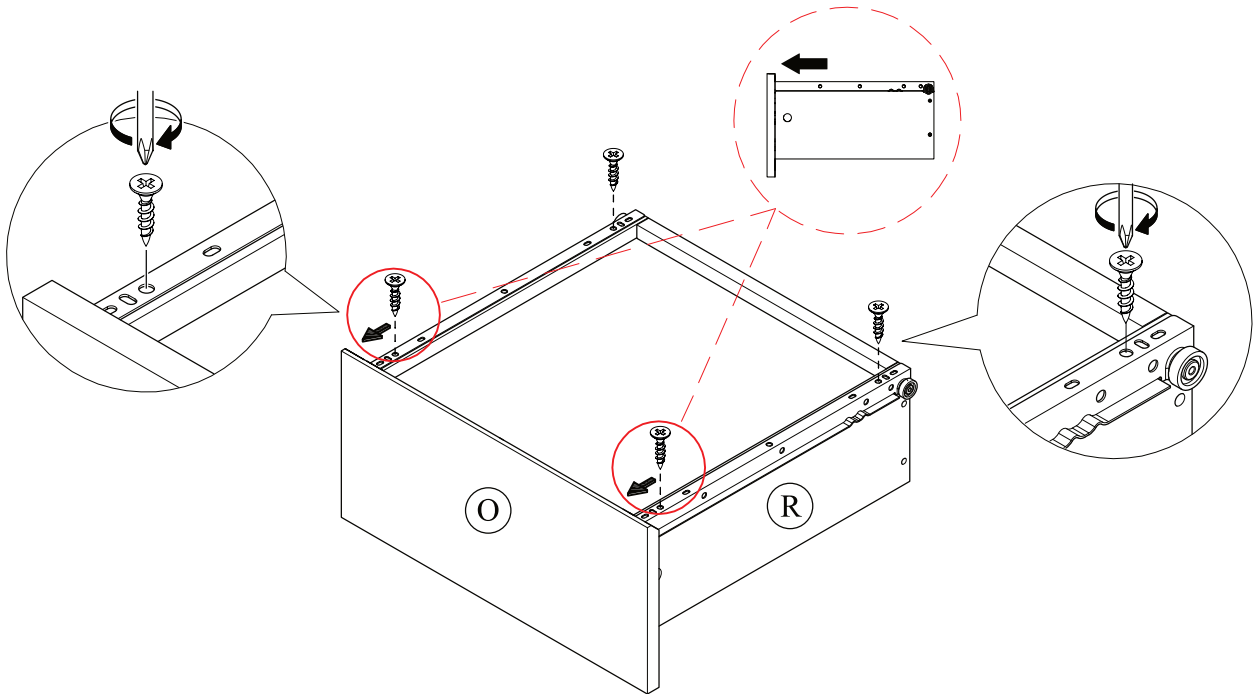
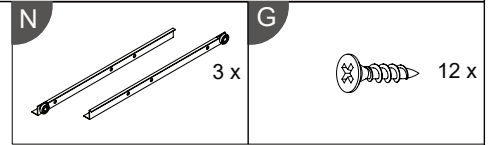
STEP 30

C

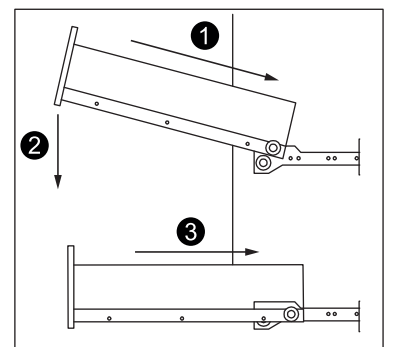
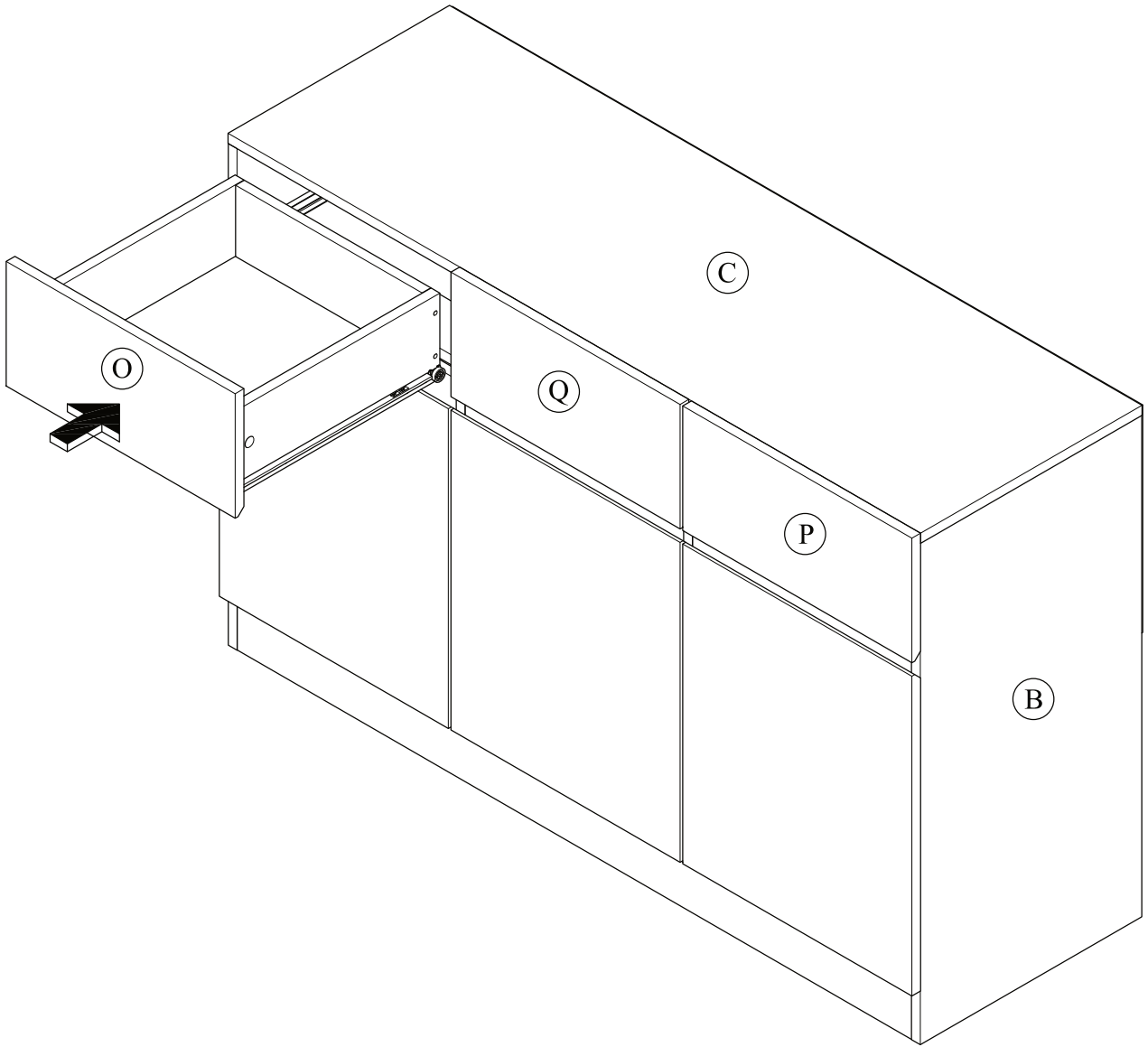
 12 x



STEP 31



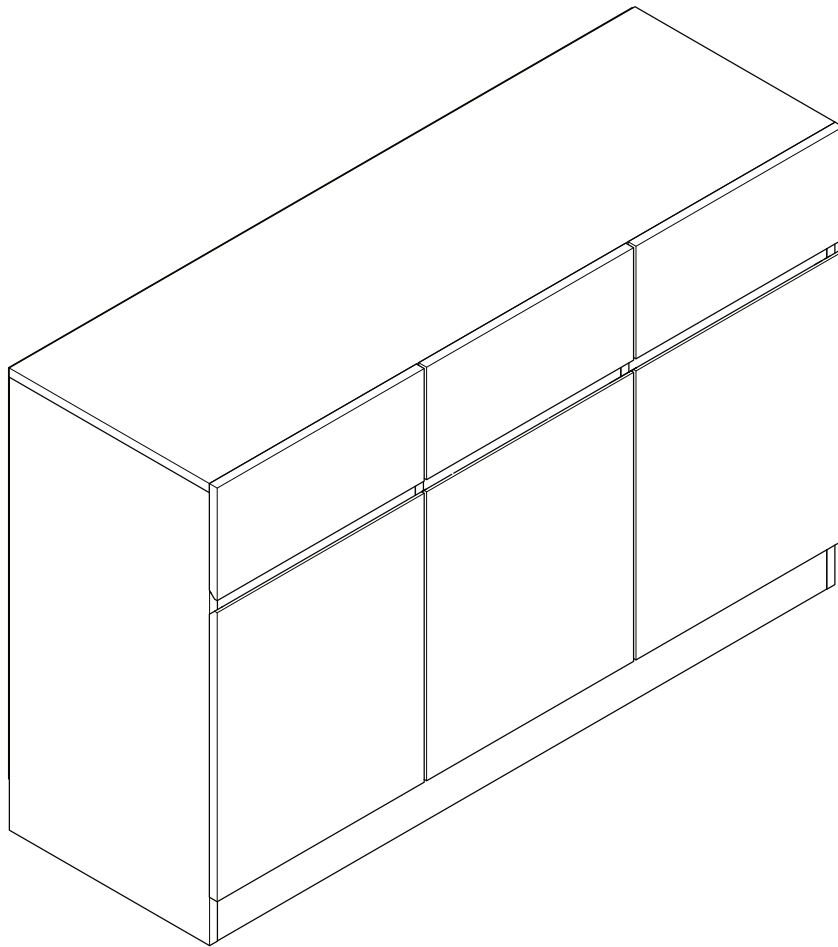
STEP 32



Complete Assembly

Your *CATANIA LARGE SIDEBOARD* is now completely assembled.

Periodically check to ensure that the components are in their proper position, free from damage. Also, make sure the connectors are tight and secure.



Keep instructions for future reference

