

ASSEMBLY INSTRUCTIONS

IMPORTANT

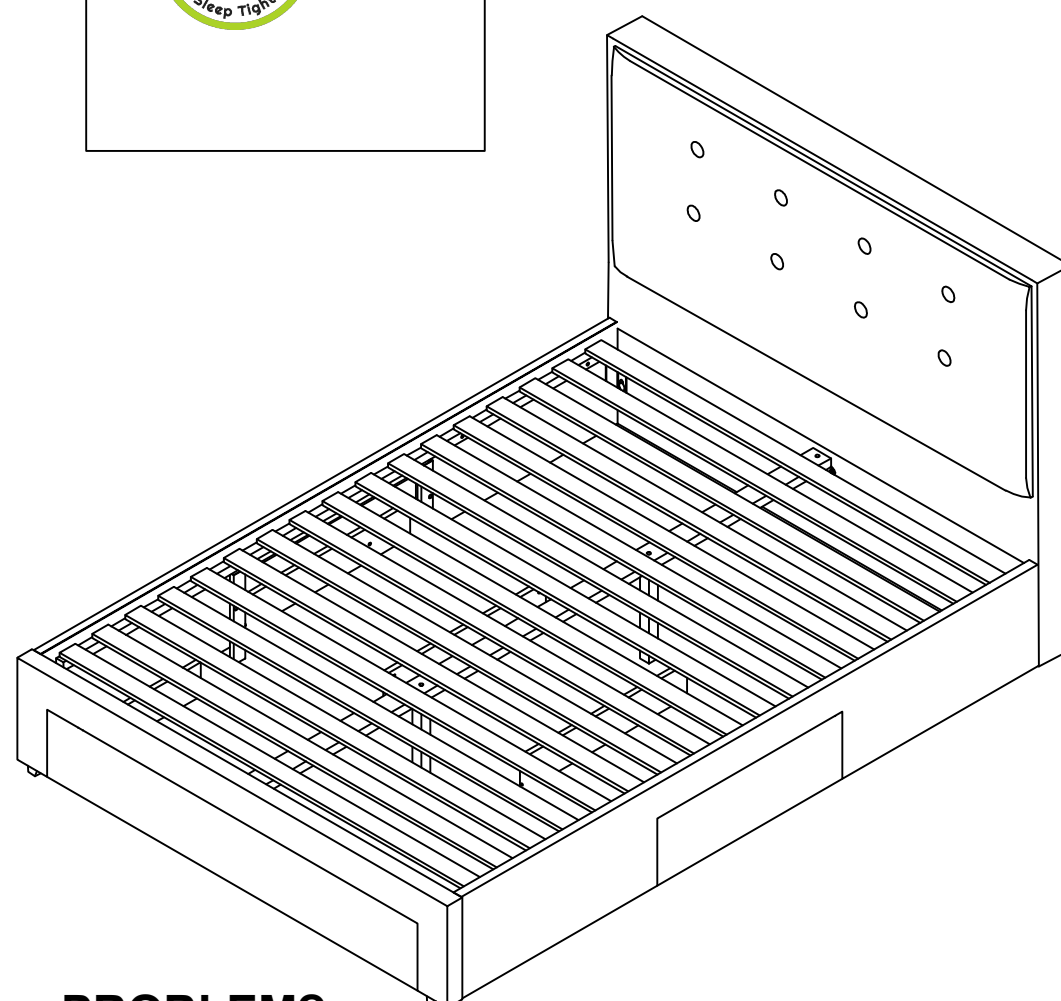
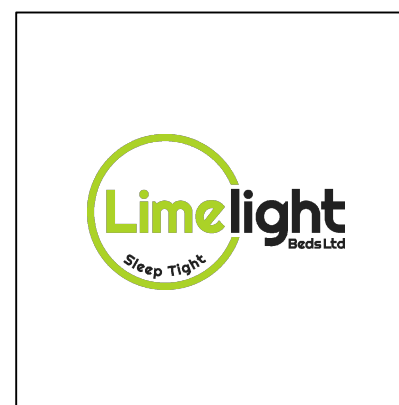
BECAUSE OF THE SIZE OF THIS UNIT, WE RECOMMEND THAT IT IS BUILT IN THE ROOM OF INTENDED USE AND ASSEMBLED BY 2 PEOPLE.

BEFORE YOU START, HERE IS SOME HELPFUL ADVICE.

1. The product you have purchased will give you many years of service if you follow the guidelines for its safe assembly, periodic maintenance and cleaning.
2. Do not use any tools other than those indicated. Use of a power tool to assemble the product will invalidate any claim and could make this product unsafe.
3. **DO NOT DISCARD OF PACKAGING UNTIL YOU ARE FULLY SATISFIED WITH THE PRODUCT.** Discard any excess fittings and out of reach of children.
4. Assemble this product on a clean flat surface to avoid any scratching.
5. Assemble all parts loosely before tightening any bolts. Ensure bolts are fully tightened but not forced as over-tightening may damage this product and/or fittings.

CARING FOR YOUR LIMELIGHT BED

1. When moving your fully assembled bed, you must first remove the mattress and lift the frame into position. Take care when lifting to always have two people handling the bed. PLEASE DO NOT DRAG THE BED as this may cause misalignment to the bedbase, making it unsafe.
2. It is advisable to use approved cleaning products when cleaning the upholstered panels as certain chemical based cleaners could have an adverse effect on the fabric.
3. Depending on usage, it may be necessary to tighten up the fittings from time to time.



PROBLEM?

All Limelight beds are produced to the highest standards and are packed to avoid damages in transit. Should you find that your new bed does not meet your satisfaction, please contact us.

If you encounter any difficulty with the assembly of your bed, PLEASE DO NOT TROUBLE your retailer but do contact our **CUSTOMER SERVICES DEPARTMENT** at the following hours:

**9AM TO 5PM on MONDAY TO THURSDAY,
9AM TO 4PM on FRIDAY.**

TEL: 01455 850150

EMAIL : customerservice@limelightbeds.co.uk

**ADDRESS:
Limelight Beds Ltd
Orbital House, Arthur Street
Barwell, Leicestershire, LE9 8GZ**

Please have the PRODUCT NAME and PART NUMBER ready for our staff.

See our product range online at www.limelightbeds.co.uk

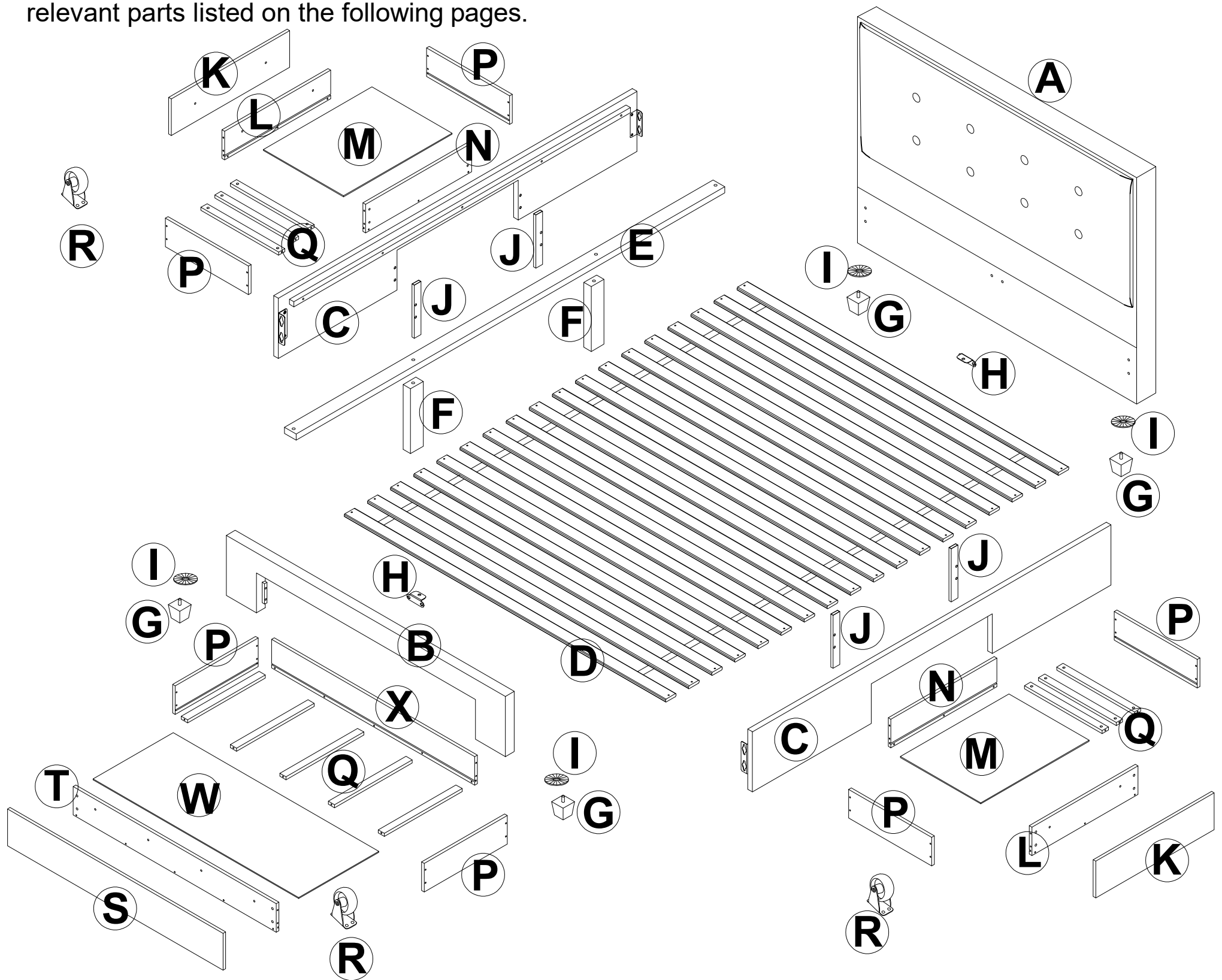
IMPORTANT NOTICE

Should you need to return unassembled product . Please repack in original packaging .

Parts

Important information

The bed frame you have purchased comes with all the parts necessary to build you a beautiful bed, please follow the instructions below in the current order. Before you begin building your bed please take a moment to read through the instructions and make sure that you've got all the relevant parts listed on the following pages.



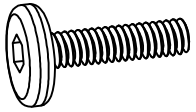

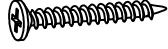

Parts list

A. Headboard	1PC	K. Drawer Face Panels	2PCS
B. Footboard	1PC	L. Drawer Front Panels	2PCS
C. Side Rail	2PCS	M. Drawer Bottom Panels	2PCS
D. Slat	4FT6 17PCS OR 5FT 18PCS	N. Drawer Back Panels	2PCS
E. Centre Support Rail	1PC	P. Drawer Side Panels	6PCS
F. Centre Support Rail Legs	2PCS	Q. Drawer Bottom Support Rails	11PCS
G. Legs	4PCS	R. Wheels For Drawer	14PCS
H. Metal 'L' Bracket	2PCS	S. Drawer Face Panels	1PC
I. Plastic Washer	4PCS	T. Drawer Front Panels	1PC
J. Side Rail Support Legs	4PCS	W. Drawer Bottom Panels	1PC
		X. Drawer Back Panels	1PC





Fittings

Please check you have all the parts listed below with your product.

Hardware accessories (A)

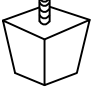
 <p>1 M8x25mm Big Head Bolts 22pcs</p>	 <p>2 M8x45mm Big Head Bolts 2pcs</p>
 <p>3 M4x35mm Screw 4TF6 34pcs 5FT 36pcs</p>	 <p>4 Allen Key 1PC</p>

Hardware accessories (B)

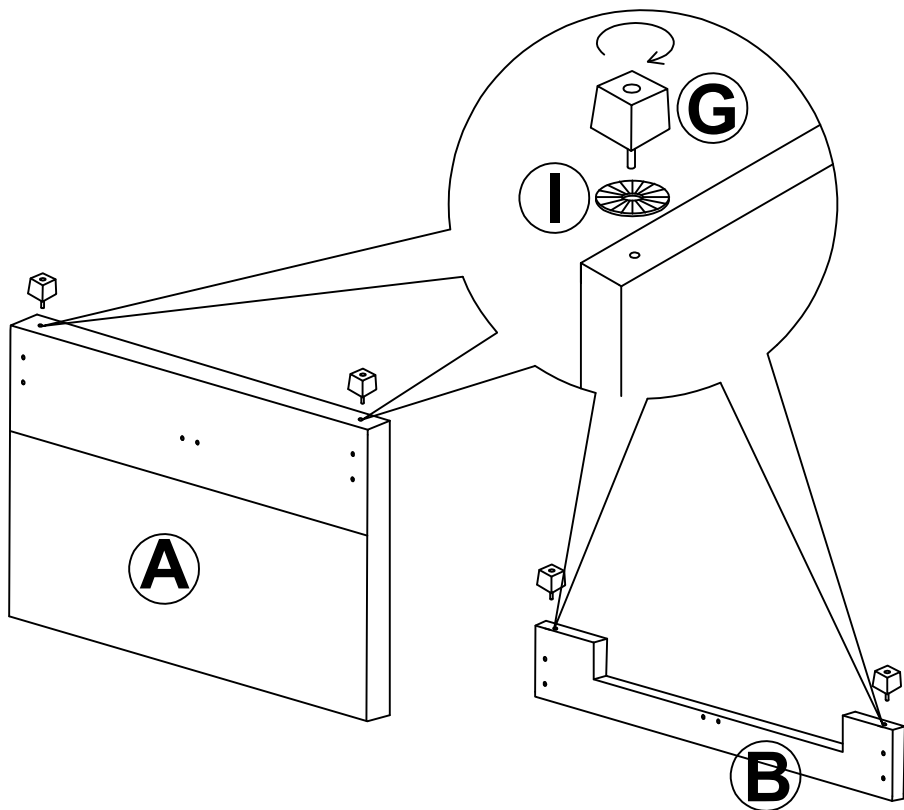
 <p>5 M6x30mm Bolt 8pcs</p>	 <p>6 M5x50mm Screw 46pcs</p>
 <p>7 M4x20mm Screw 56pcs</p>	 <p>8 46pcs</p>

Step 1:

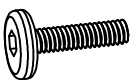
I  x4

G  x4

Tighten the legs (G) to the headboard (A) and footboard (B).

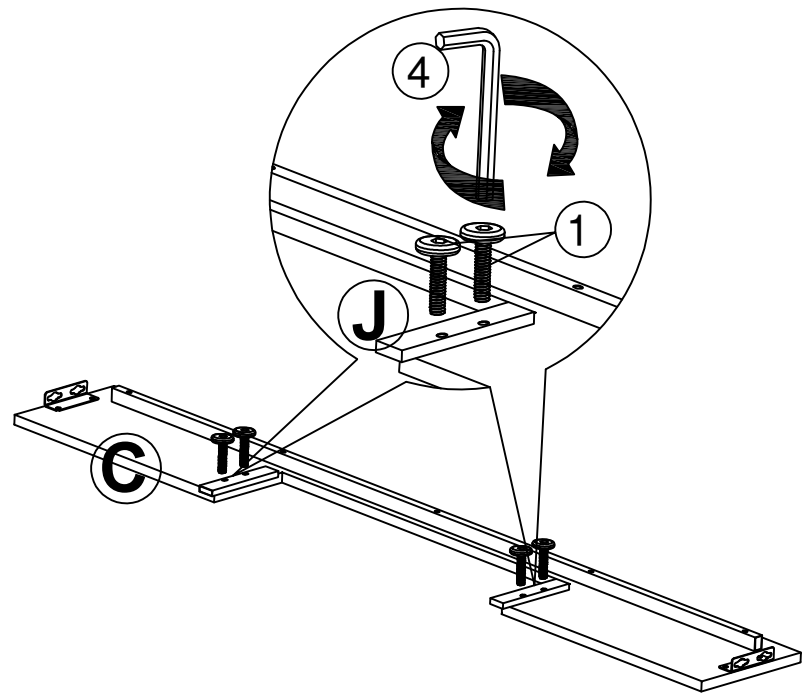


Step 2:

1  x8

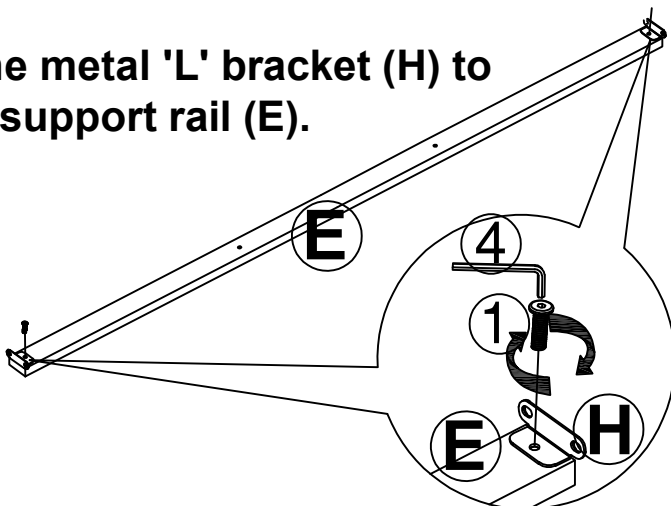
4  x1

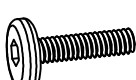


Please make sure each leg is fitted correct way with bolt-hole positions as shown in the diagram - the legs overlap the side rail on the inside of the drawer space and act as drawer stops.



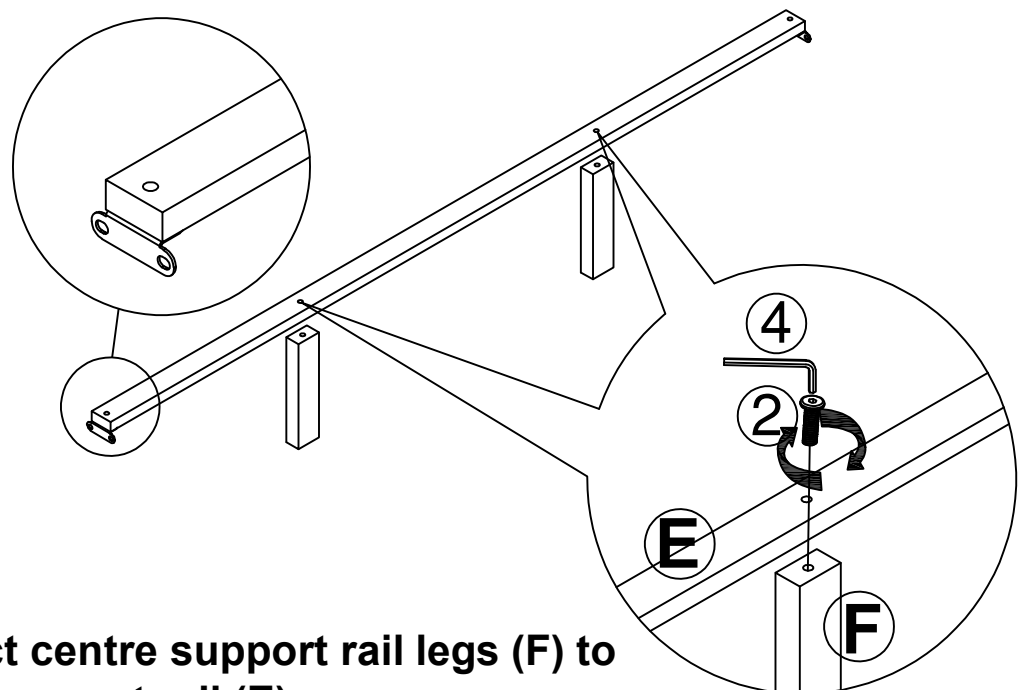
Step 3:

Connect the metal 'L' bracket (H) to the centre support rail (E).



1  x2 **2**  x2 **4**  x1

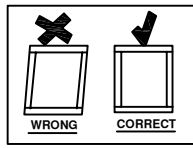
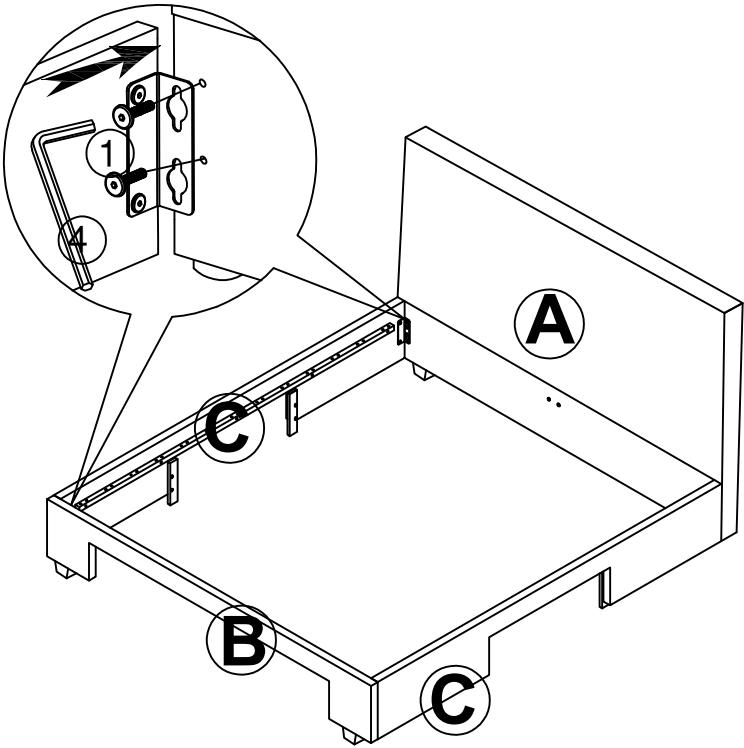
Connect centre support rail legs (F) to centre support rail (E).



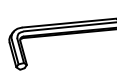
Step 4:

①  x8 ④  x1

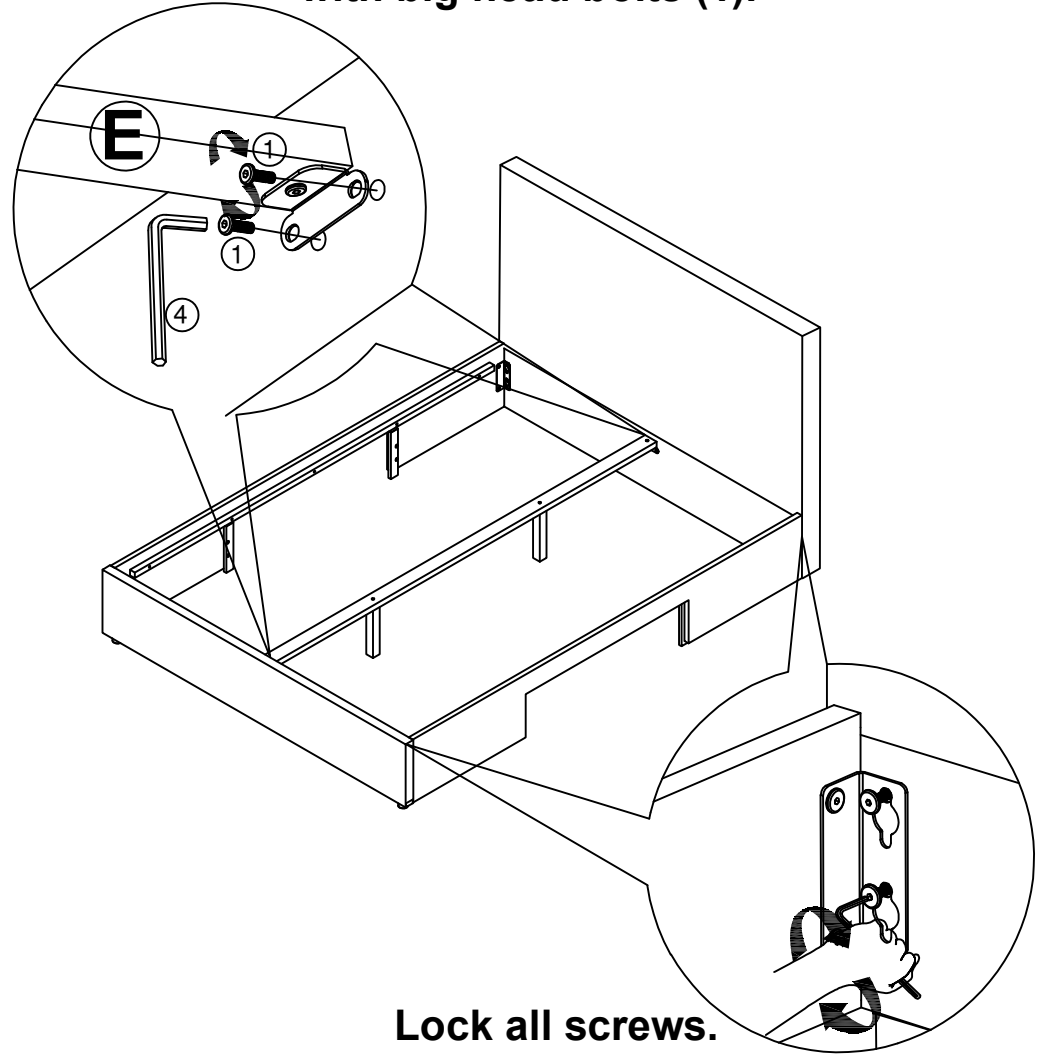
Connect the side rail (C) to the headboard & footboard with big head bolts (1), but do not lock it.



Step 5:



①  x4 ④  x1

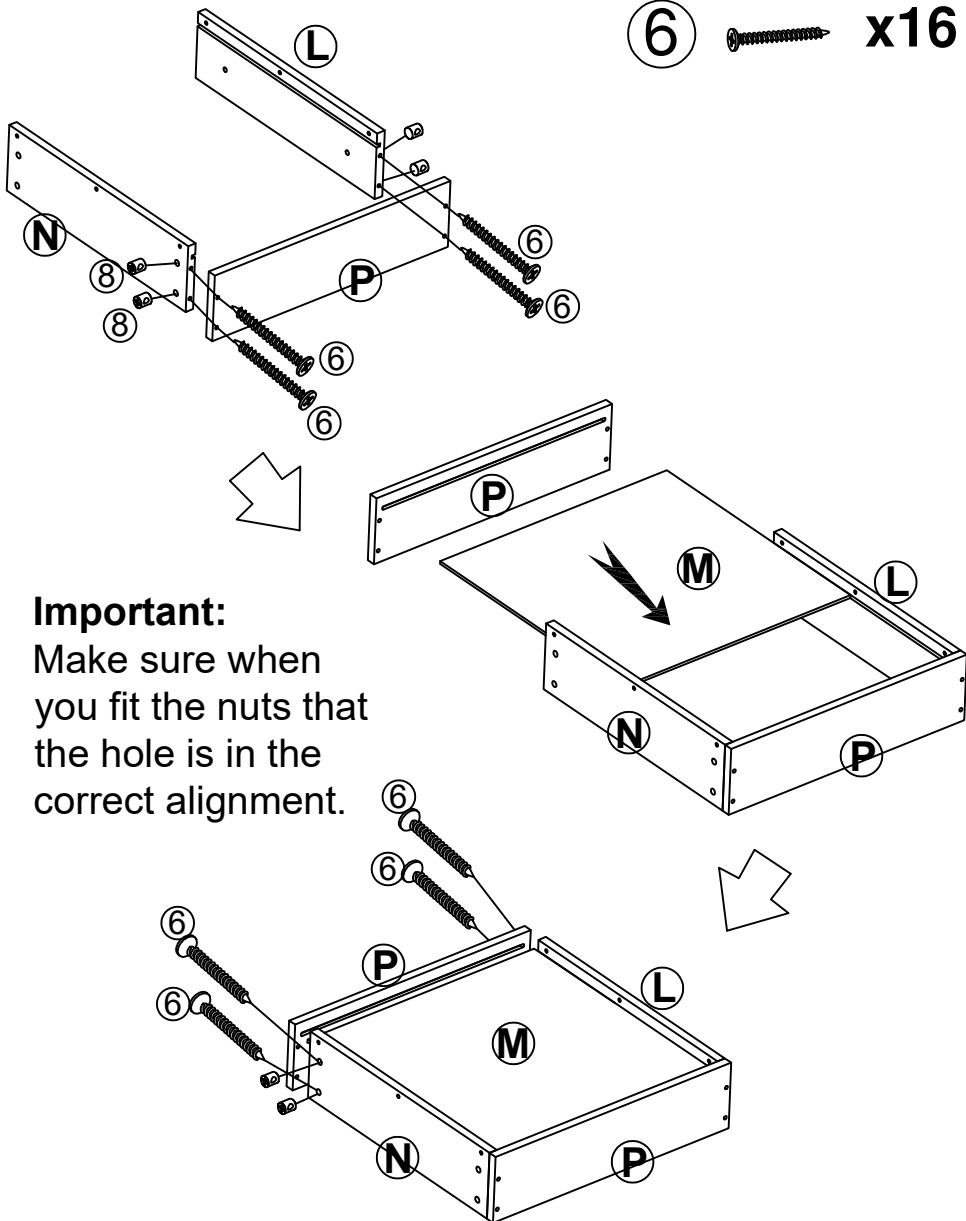
Connect the centre support rail (E) to the headboard (A) & footboard (B) with big head bolts (1).



Lock all screws.



Step 6:

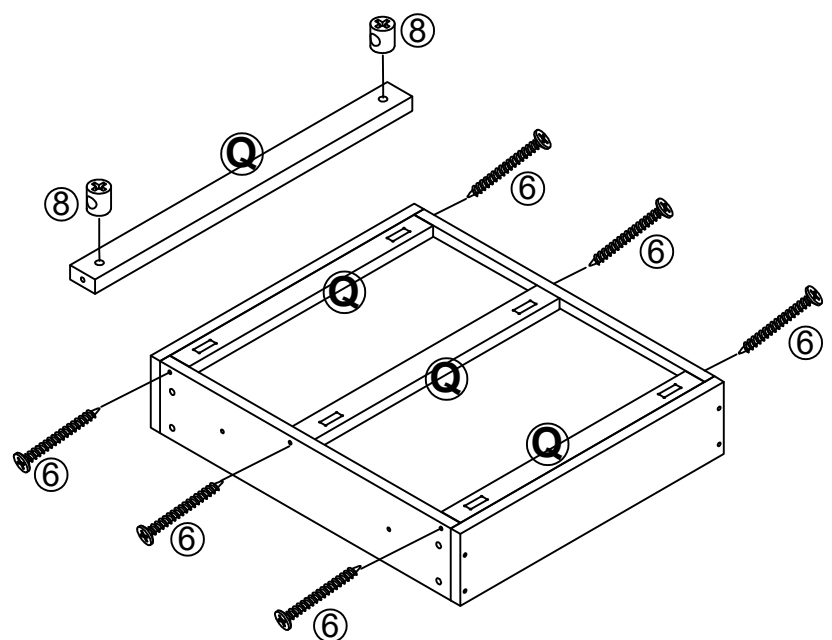
⑧  x16
⑥  x16



Important:
Make sure when you fit the nuts that the hole is in the correct alignment.

Step 7:

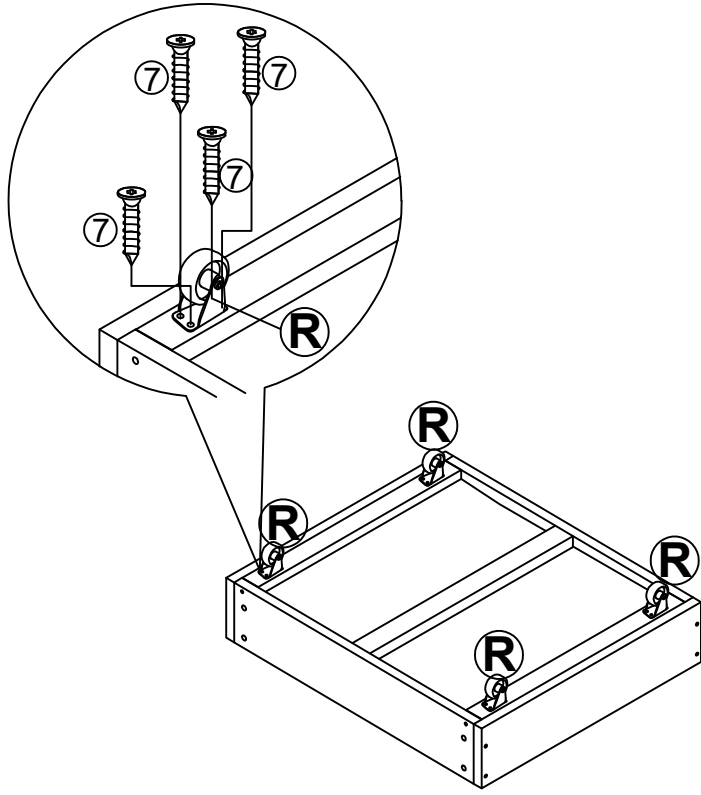
⑧  x12
⑥  x12



Important:
Make sure when you fit the nuts that the hole is in the correct alignment.

Step 8:

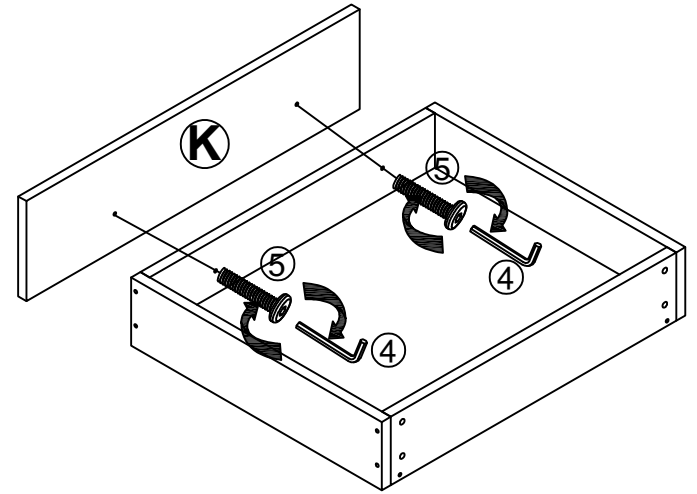
⑦  x32



Step 9:

⑤  x4

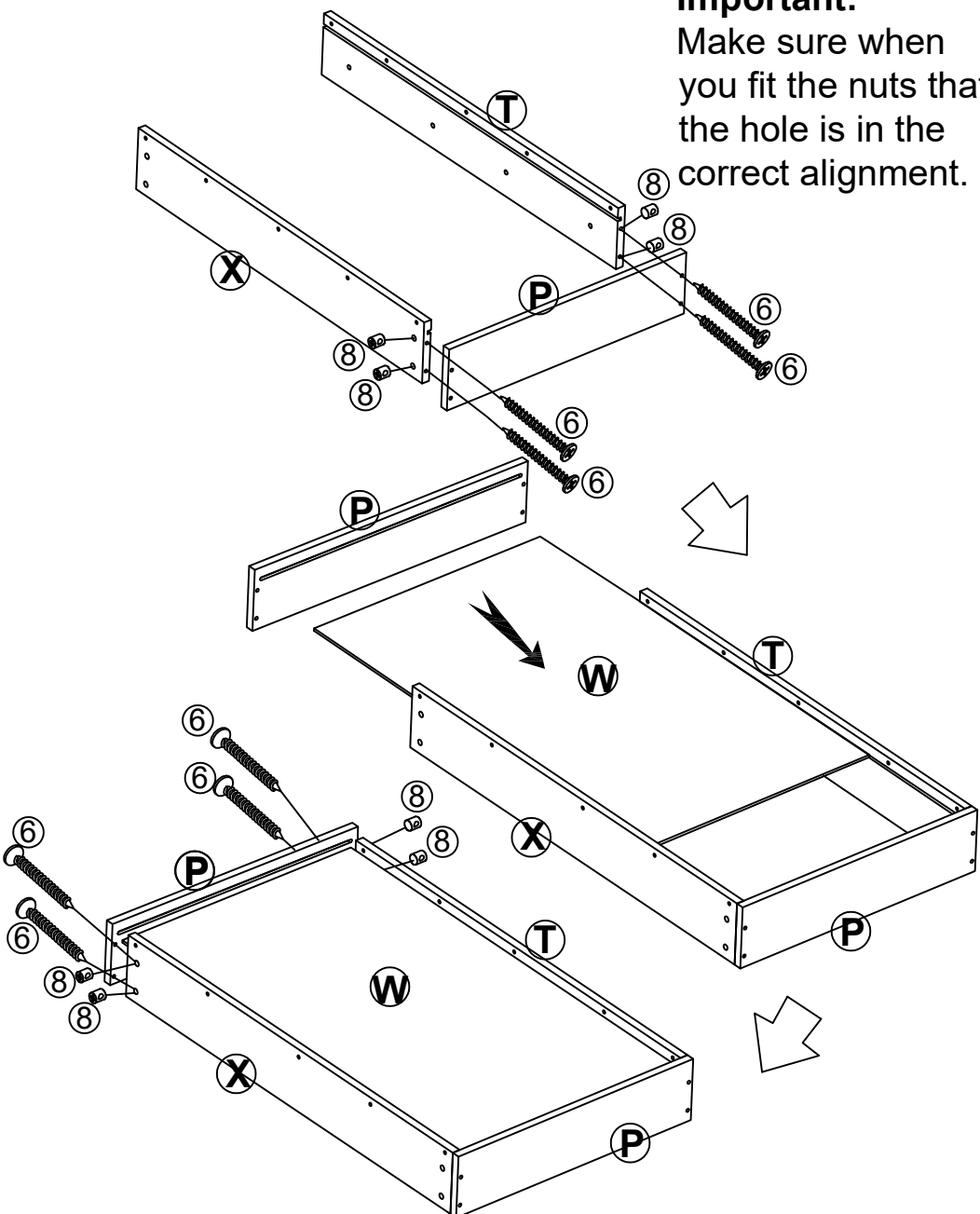
④  x1



Step 10:

⑧  x8 ⑥  x8

Important:
Make sure when
you fit the nuts that
the hole is in the
correct alignment.

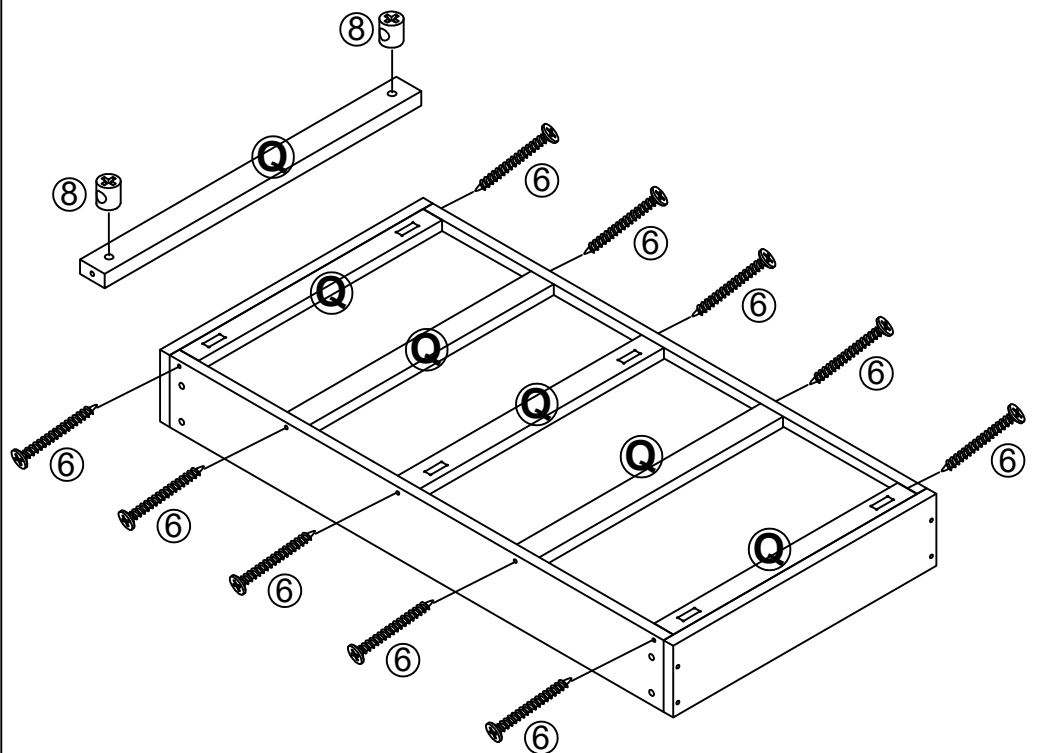


Step 11:

⑧  x10

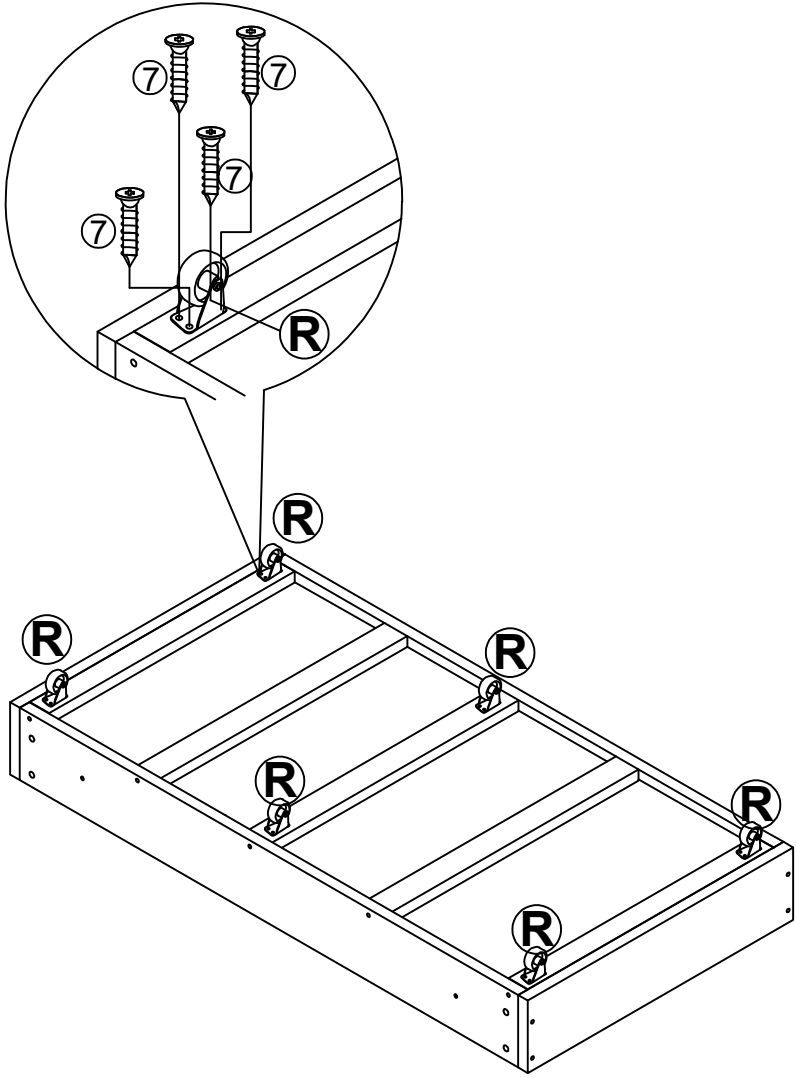
⑥  x10

Important:
Make sure when
you fit the nuts that
the hole is in the
correct alignment.



Step 12:

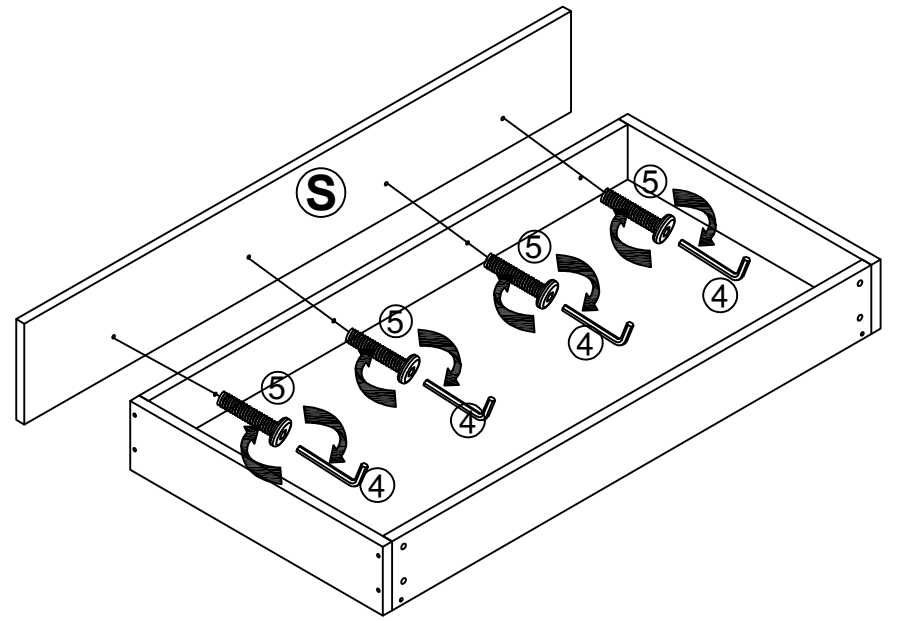
⑦  x24




Step 13:

⑤  x4

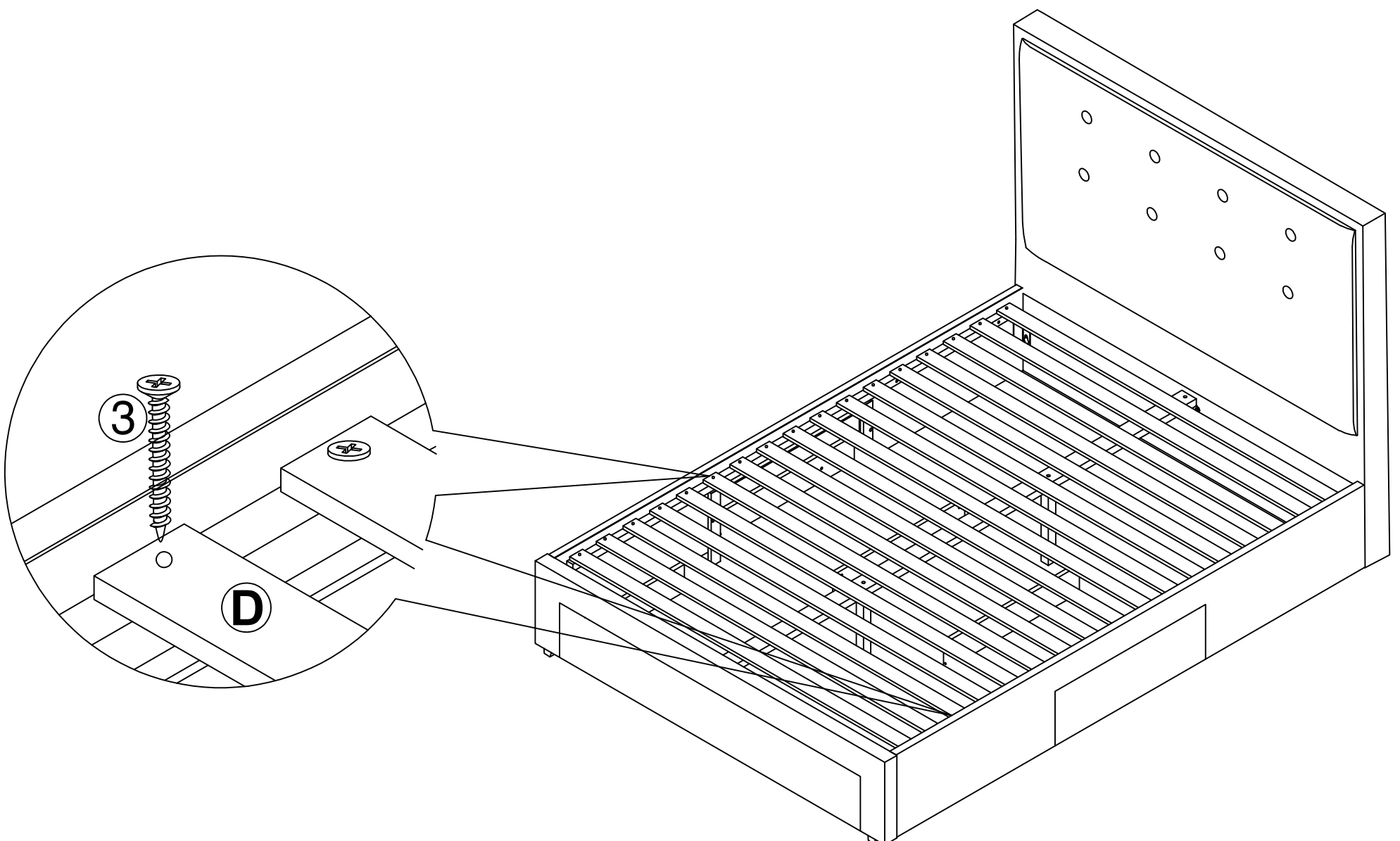
④  x1



Step 14:

③  4FT6 x34
5FT x36

Affix the slat (D) to the side rail support wood.
Tighten all the self tapping screws(5).



Caring for your New Limelight product

- When assembling your product please ensure that you have checked the contents for all relevant parts.
- When tightening bolts make sure that they are fully tightened but not forced.

BEDS WITH CENTRE LEGS

- PLEASE NOTE THE RECOMMENDED PROCESS FOR ADJUSTING CENTRE LEGS WHEN ASSEMBLING YOUR BED.
- BEFORE PLACING THE MATTRESS ON THE BASE, PLEASE ENSURE THAT THE SUPPORT LEGS ARE NOT QUITE TOUCHING THE FLOOR. WHEN THE BED IS THEN IN USE THE SUPPORT LEGS WILL SIT FIRMLY ON THE SOLID SURFACE.
- PLEASE ENSURE THAT THE LEGS ARE VERTICAL.
- **DUE TO THE NATURE OF LAMINATE FLOORING WE RECOMMEND THAT YOU PLACE A SMALL PIECE OF HEAVY DUTY NON SLIP MATERIAL UNDER THE LEGS WHICH WILL GIVE YOU THE FLEXIBILITY THAT THE ADJUSTERS NEED.**
- WHEN MOVING THE BED IT IS ESSENTIAL THAT IT IS LIFTED INTO THE NEW POSITION. **NEVER DRAG** THE BED AS THIS WILL MOVE THE LEGS FROM THE VERTICAL POSITION THUS WEAKENING THE SUPPORT OF THE CENTRE RAIL.
- ADHERING TO THE RECOMMENDED PROCESS SHOULD ENSURE THAT YOUR BED GIVES YOU YEARS OF TROUBLEFREE SERVICE.
- It is advisable to use approved cleaning products when cleaning our products as certain chemical based cleaners could have an adverse effect on the bed finish.

- All Limelight beds are produced to the highest standards and are packed to avoid damage in transit, should you find that your new bed does not meet with your satisfaction please contact Limelight customer care on 01455 850150.
- **PLEASE NOTE: GOODS THAT NEED TO BE RETURNED SHOULD BE SENT BACK IN ORIGINAL PACKAGING.**

PROBLEMS?

**SHOULD YOU ENCOUNTER ANY DIFFICULTY WITH THE ASSEMBLY OF YOUR
BED,
PLEASE DO NOT TROUBLE YOUR RETAILER BUT
CALL, E-MAIL or WRITE to our
CUSTOMER SERVICES DEPARTMENT
BETWEEN THE HOURS OF
9am to 5pm MONDAY to THURSDAY AND
9am to 4pm FRIDAY**

Tel:-01455 850150

E-mail: - customerservice@limelightbeds.co.uk

**Limelight Beds Ltd
Orbital House
Arthur Street
Barwell
Leicestershire
LE9 8GZ**

**Please have the following information ready for our staff:
Product name, part number & batch code**

See our range on Web Site: - www.limelightbeds.co.uk