

ASSEMBLY

INSTRUCTIONS

MIDSLEEPER

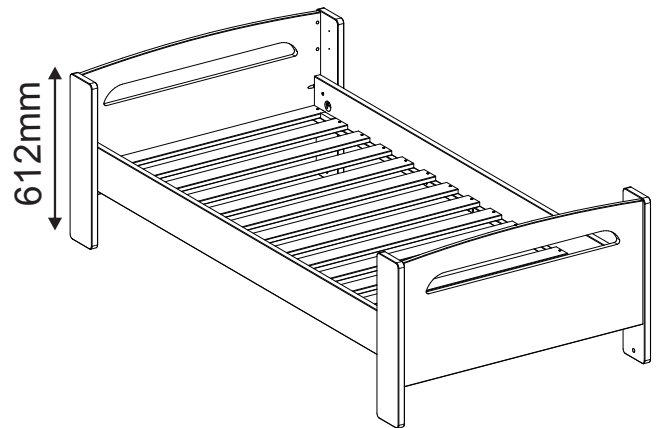
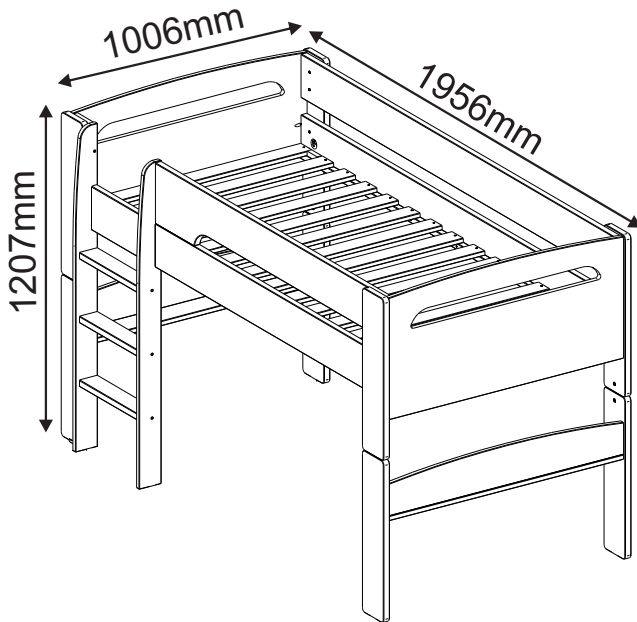
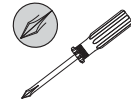
Approximate Assembly Time



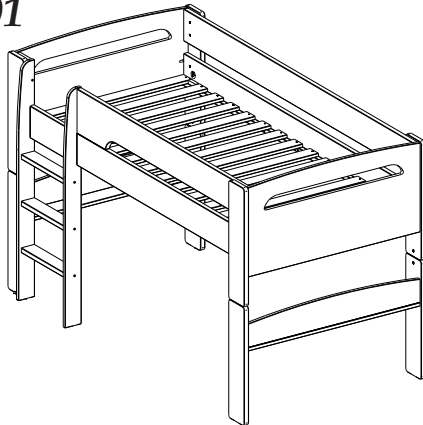
People Required to Assemble



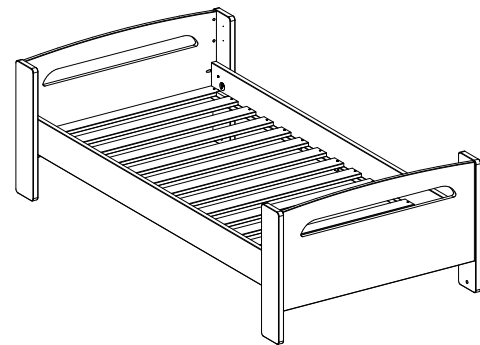
Tools Required



OPTION 01



OPTION 02



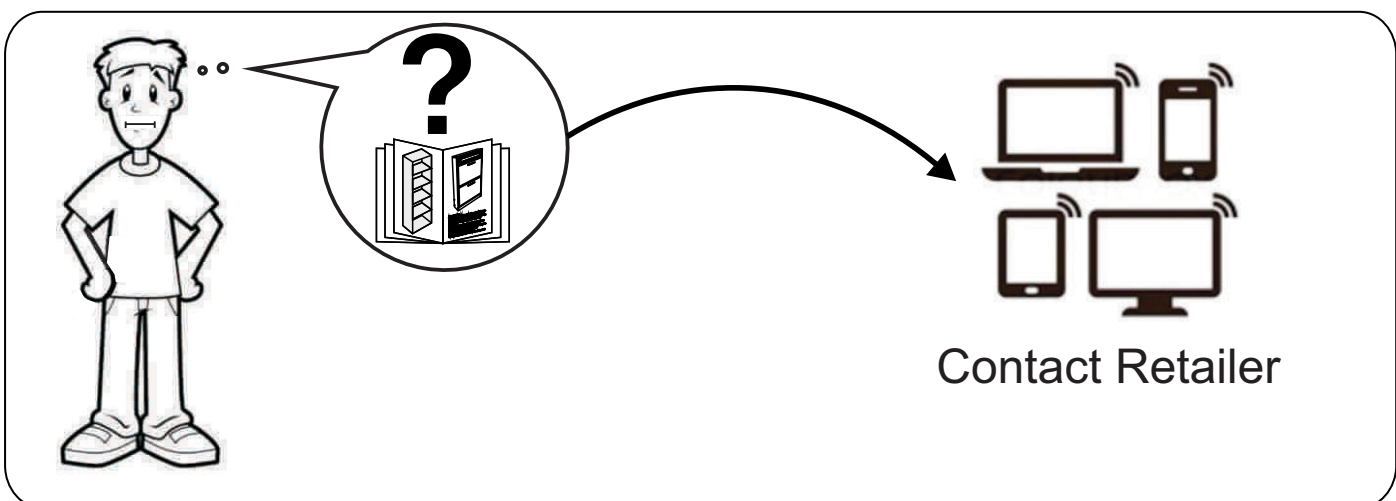
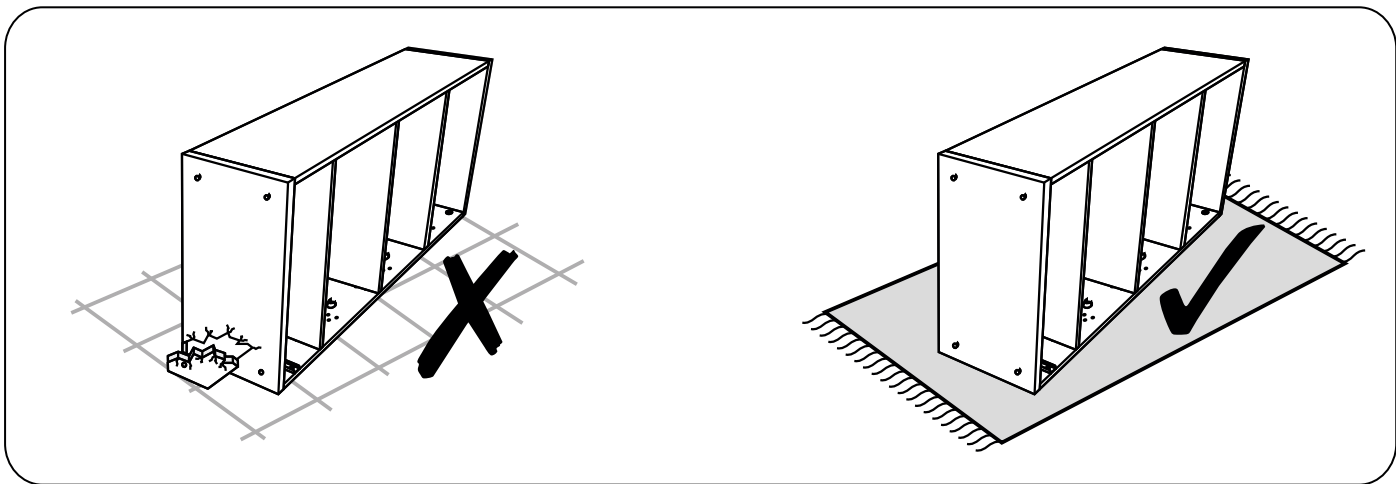
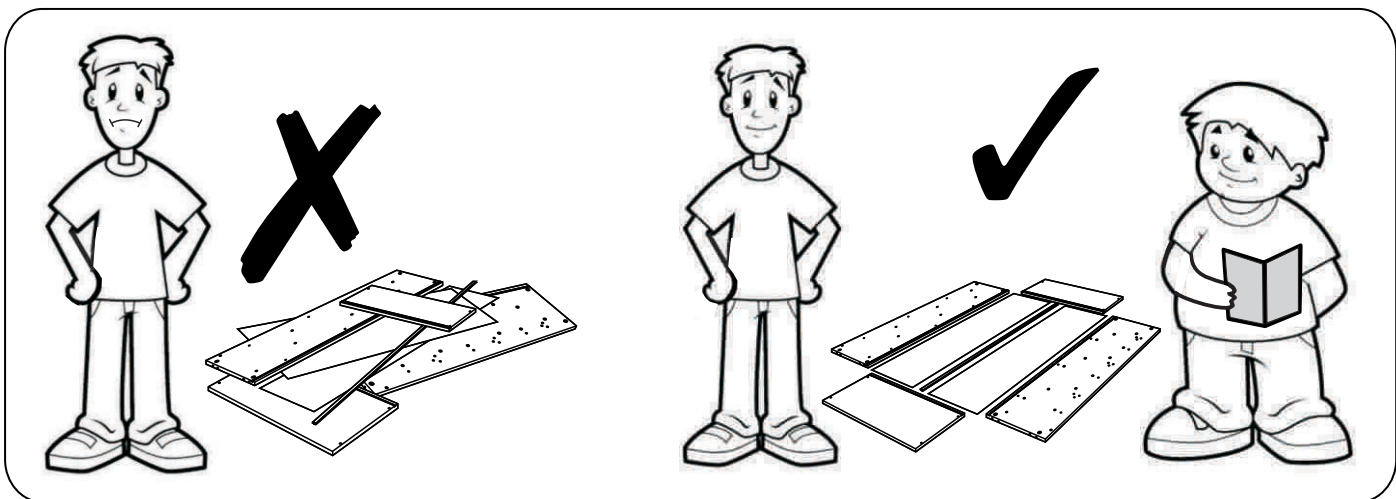
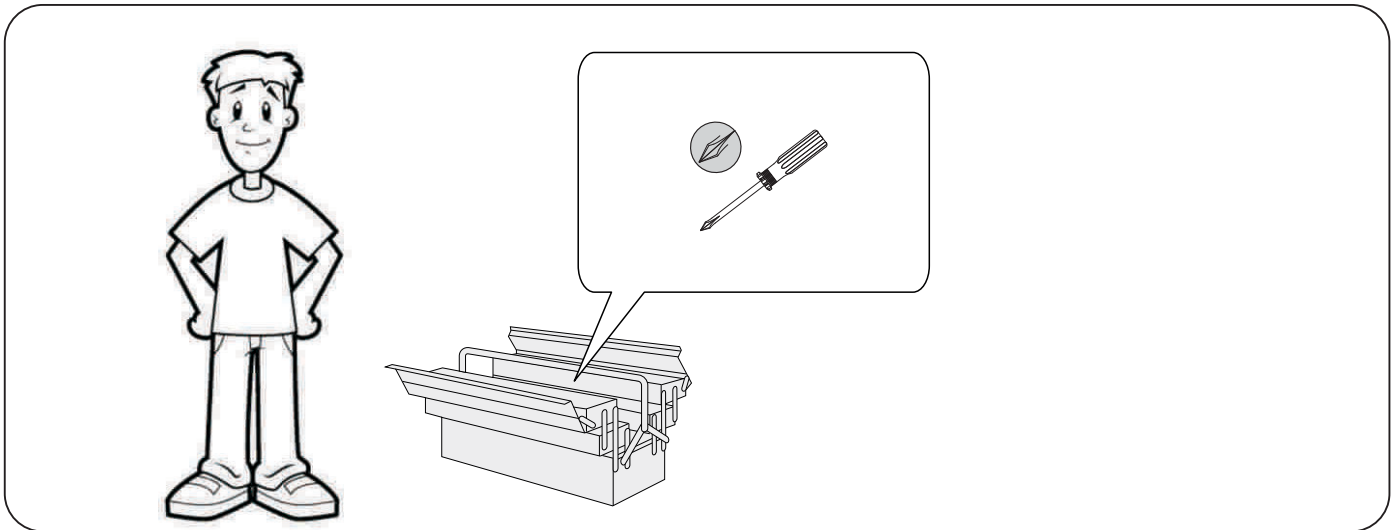
Before you start....

Please carefully unpack and lay out all of the component parts to ensure nothing is missing and to check each component for any obvious damage.

Should you identify any concerns at this stage please contact the retailer from whom this product was purchased. Please quote your order number, details of your issue, the product code, and the batch number from the cartons which will help to resolve your issue as quickly as possible.

Version Number - 1.0

Product Code - PLU001/101/105/501



Please check all hardware matches the list below. Should you notice any are missing please contact your retailer.



A

Ø8x30mm

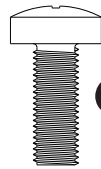
42x



B

Ø10x30mm

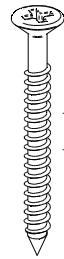
32x



C

M6x16mm

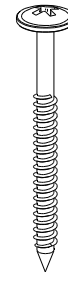
8x



D

Ø4x35mm

30x



E

Ø4x40mm

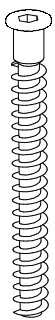
36x



F

1/4x82mm

4x



G

Ø7x60mm

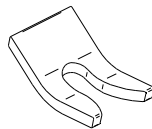
8x



H

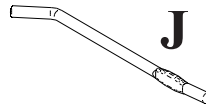
Ø3,5x14mm

4x



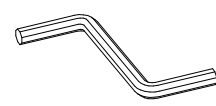
I

4x



J

1x



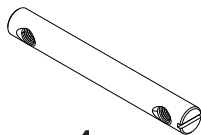
K

1x



L

2x



M

4x



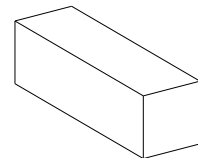
N

8x



O

8x



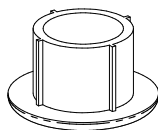
P

2x



Q

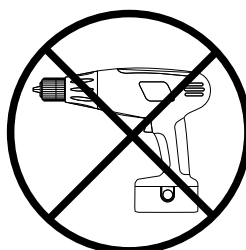
8x



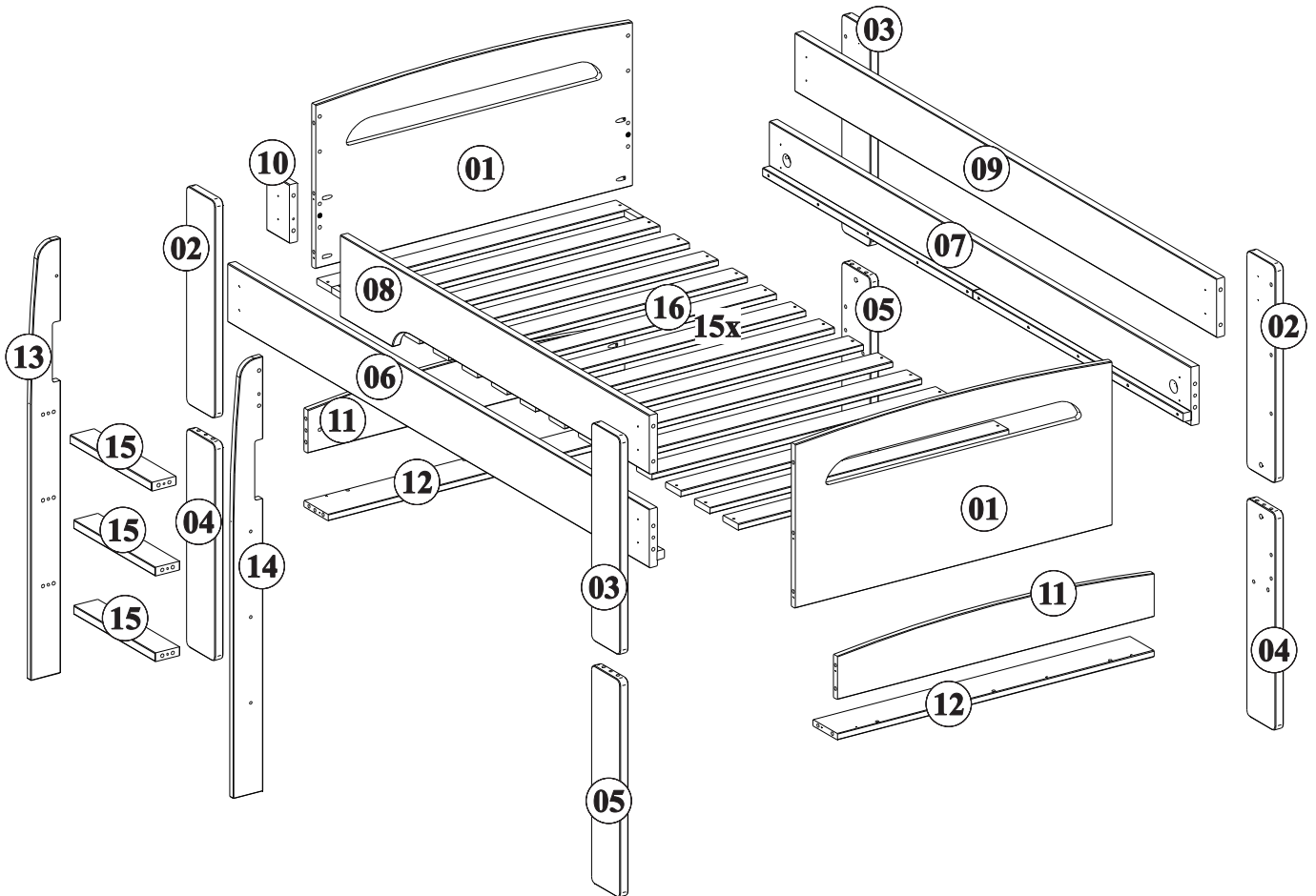
R

8x

We strongly advise that you do not use Power Tools, such as drills or electric screwdrivers during the assembly as this may cause irreparable damage and will invalidate your warranty.



PARTS



Please ensure you carefully check all the pieces, should you have any concerns please contact the retailer before assembly commences. Please have your order number, details of the issue, the product code, and the batch number from the cartons as this will help us to resolve your issue much faster.

ASSEMBLY ADVICE

Please take the time to carefully read through these instructions before you commence.

Keep these instructions for future reference.

We advise that the product is assembled in the room it is intended for.

We advise that you keep the hardware in a bowl during assembly to avoid losing anything.

We strongly recommend that you keep children away from the work area.

Small component parts could choke a child if swallowed.

We recommend you use a sheet or blanket to protect both floor and product through the assembly stages.

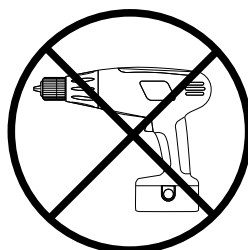
This product is heavy, and we recommend a 2 person lift to avoid personal injury or damage to the product.

Never push or pull the product as this could cause both personal injury or irreparable damage to product or floor.

We have tried to make this piece of furniture easy to assemble if the instructions are followed carefully.

In the unlikely event that you have problems with assembling the product or have missing or damaged parts, please contact your retailer and we will assist them in rectifying the problem as quickly as possible.

Please remember we strongly urge you **DO NOT** use power tools such as drill or electric screwdrivers as this could cause irreparable damage to your product and will invalidate your warranty.



IMPORTANT INFORMATION

WARNING– High Beds and the upper bed of bunk beds are not suitable for children under six years due to the risk of injury from falls.

WARNING– Bunk beds and high beds can present a serious risk of injury from strangulation if not used correctly. Never attach or hang items to any part of the bunk bed that are not designed to be used with the bed, for example, but not limited to ropes, strings, cords, hooks, belts and bags.

WARNING– Children can become trapped between the bed and the wall, a roof pitch, the ceiling, adjoining pieces of furniture (e.g. cupboards) and the like. To avoid risk of serious injury the distance between the top safety barrier and the adjoining structure shall not exceed 75mm or shall be more than 230mm.

WARNING– Do not use the bunk bed/high bed if any structural part is broken or missing.

It is recommended that you always follow the manufacturer's instructions to assemble this product.

Always follow the manufacturer's recommended mattress size, as per these instructions and the bunk bed / high bed maximum mattress height marking on the item:

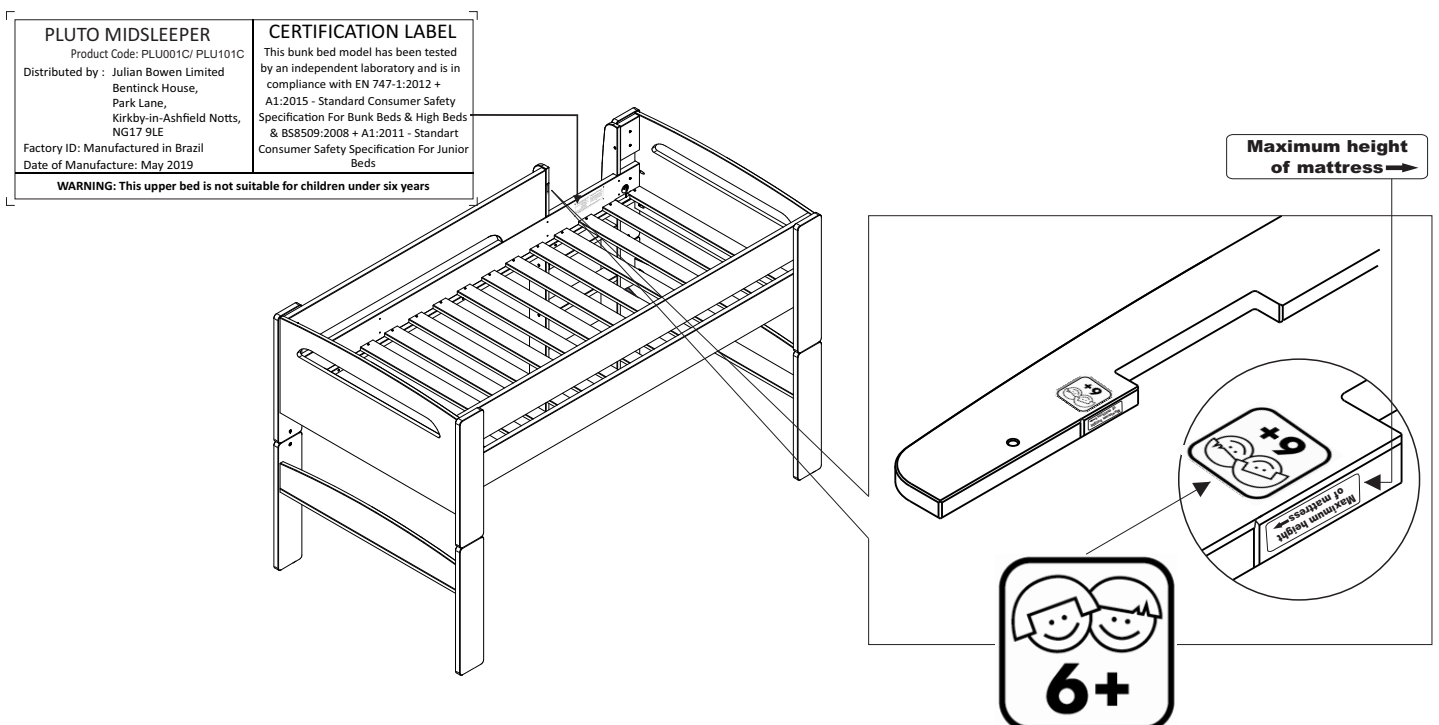
Recommended Mattress Size: 91cm W x 190cm (UK Single) with Maximum Depth of 18.5cm

It is necessary to frequently ventilate the room in order to keep the humidity low and to prevent mould in and around the bed.

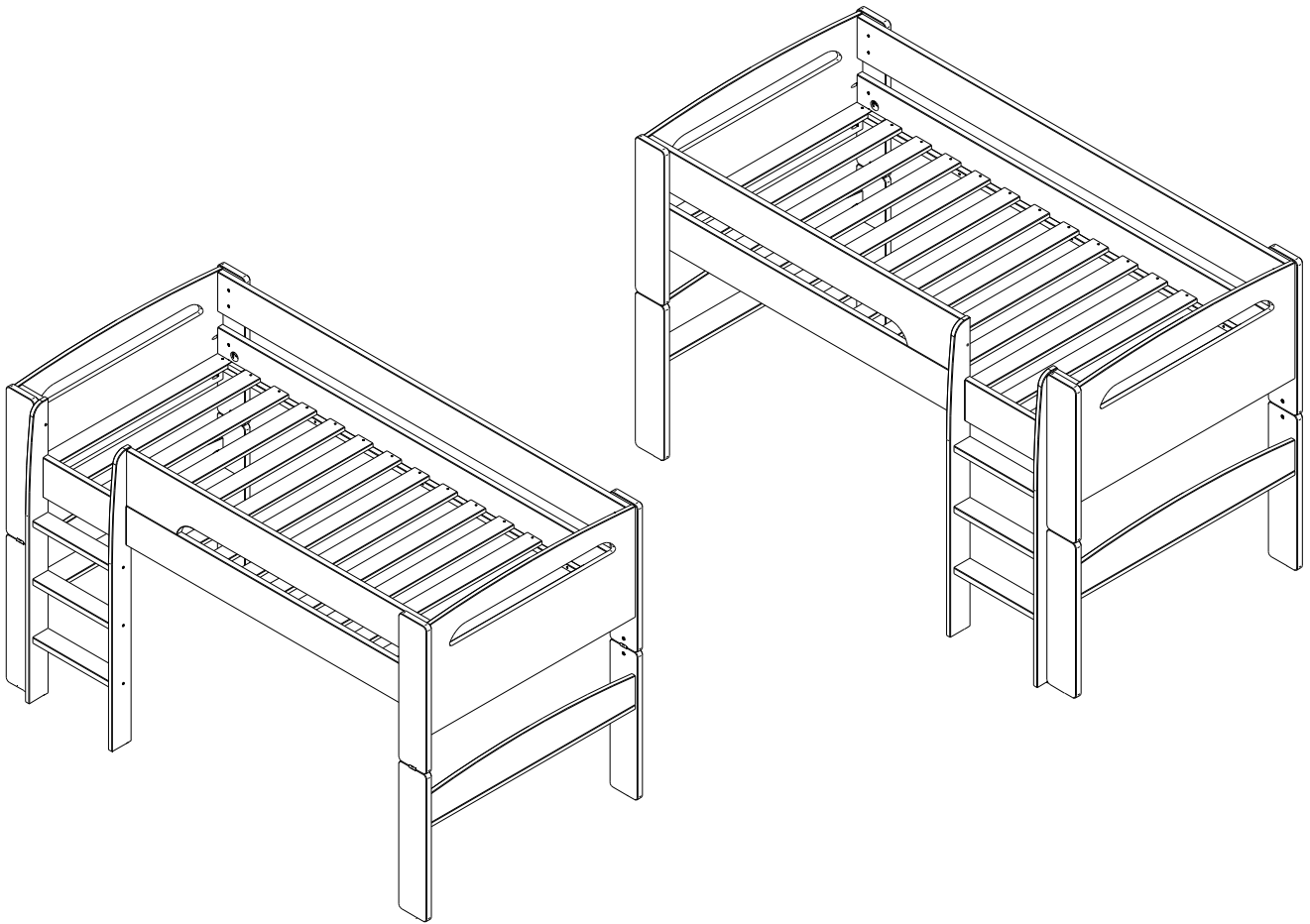
Please periodically check all the fixings of the item and re-tighten when necessary.

This item conforms to European Safety Standards – BS EN 747 + A1:2015.

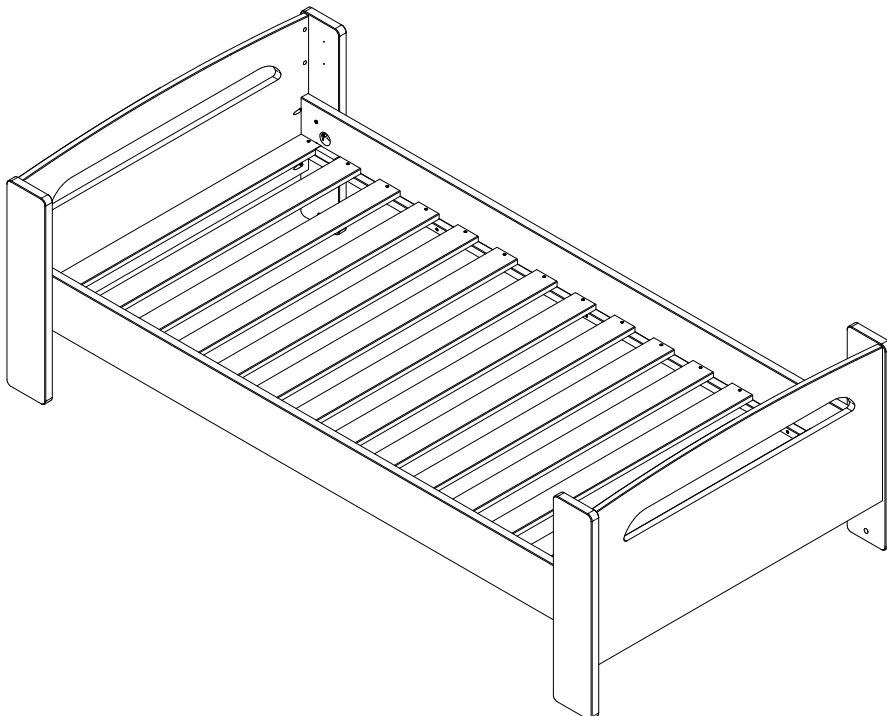
These labels are not to be removed



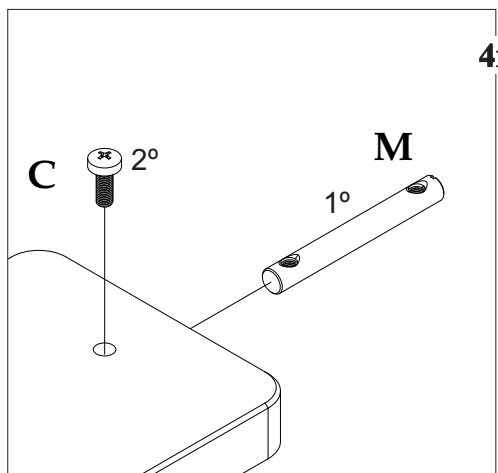
OPTIONS



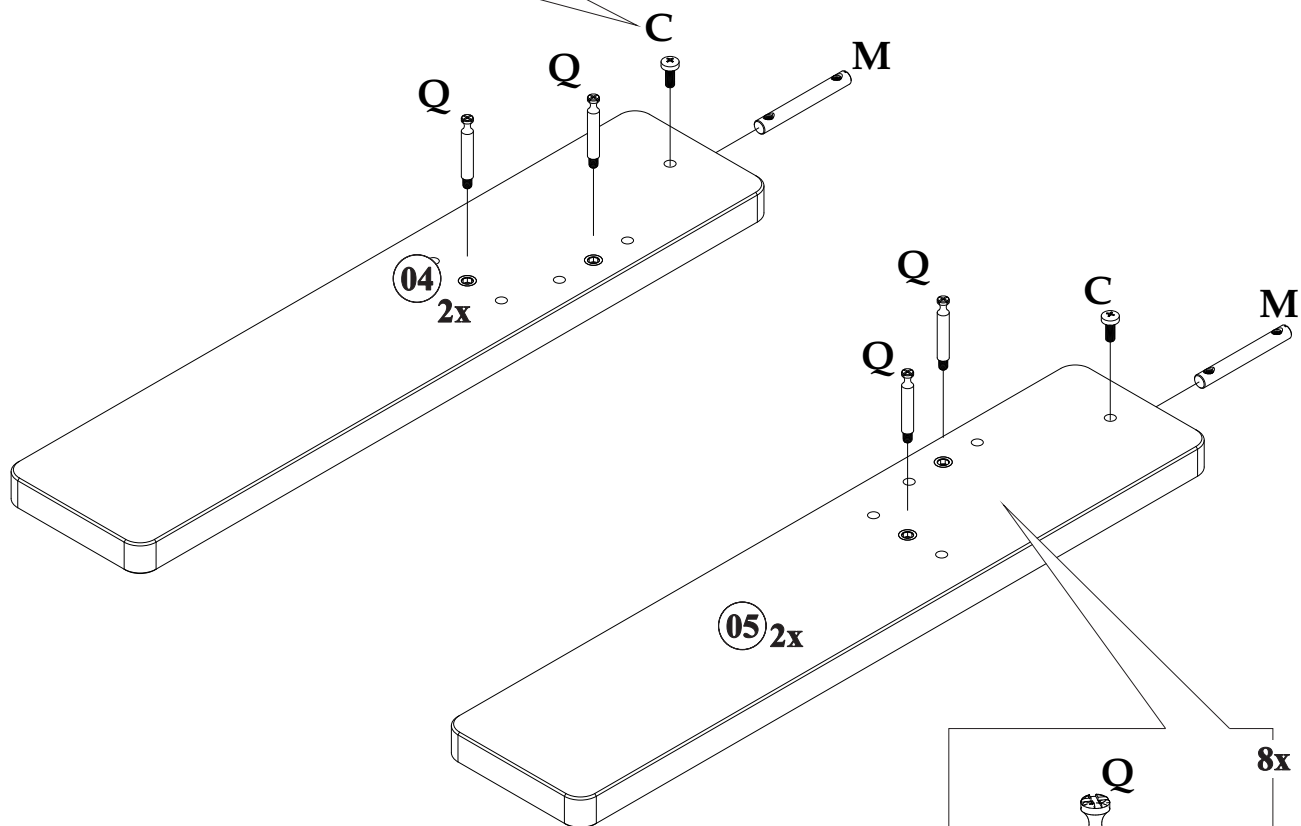
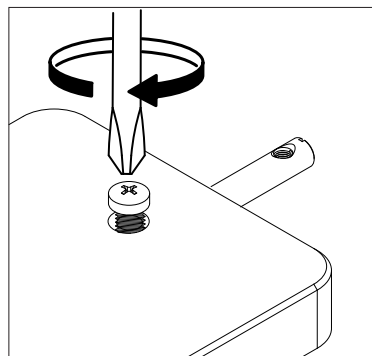
STARTS ON PAGE 20



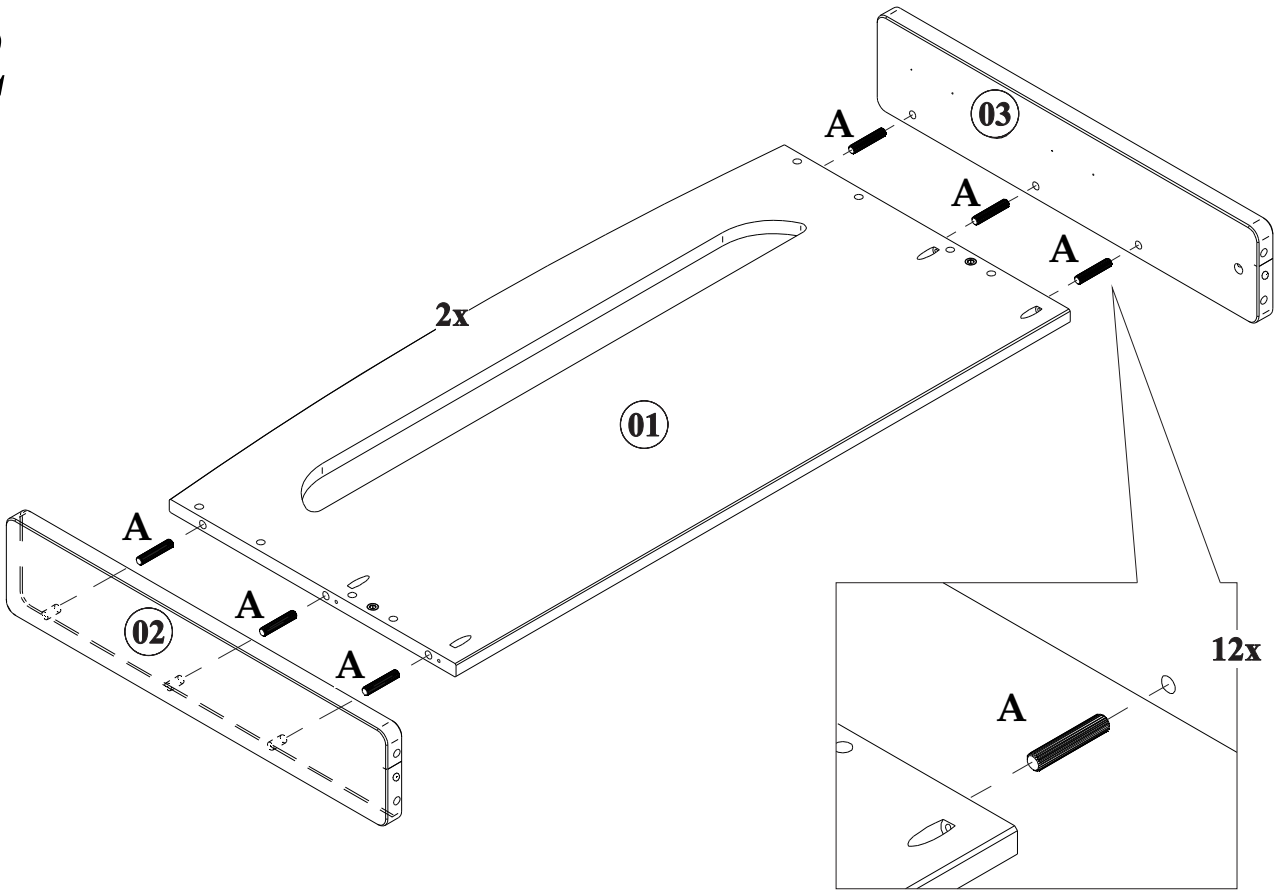
1



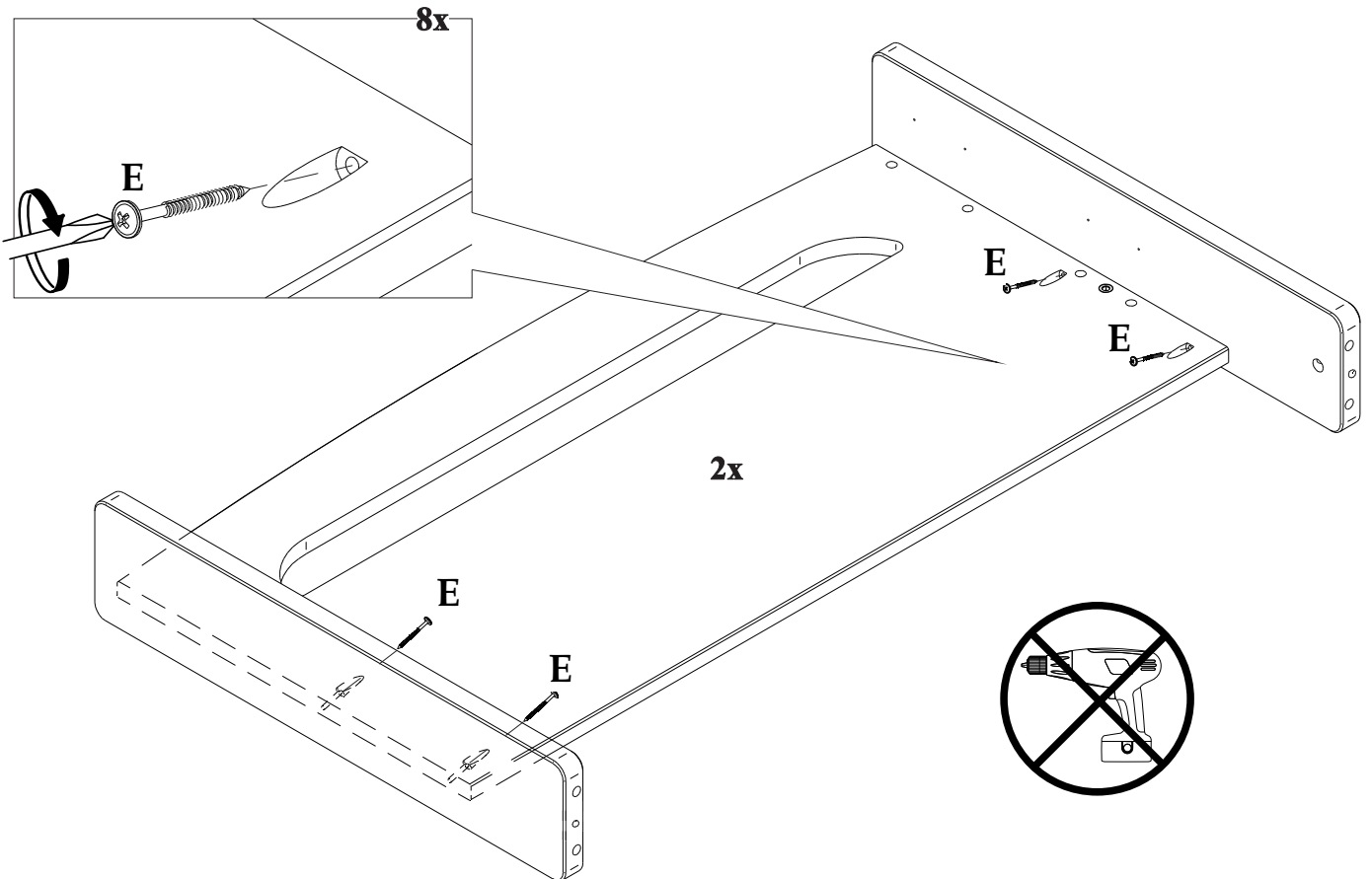
Partially tighten Part C



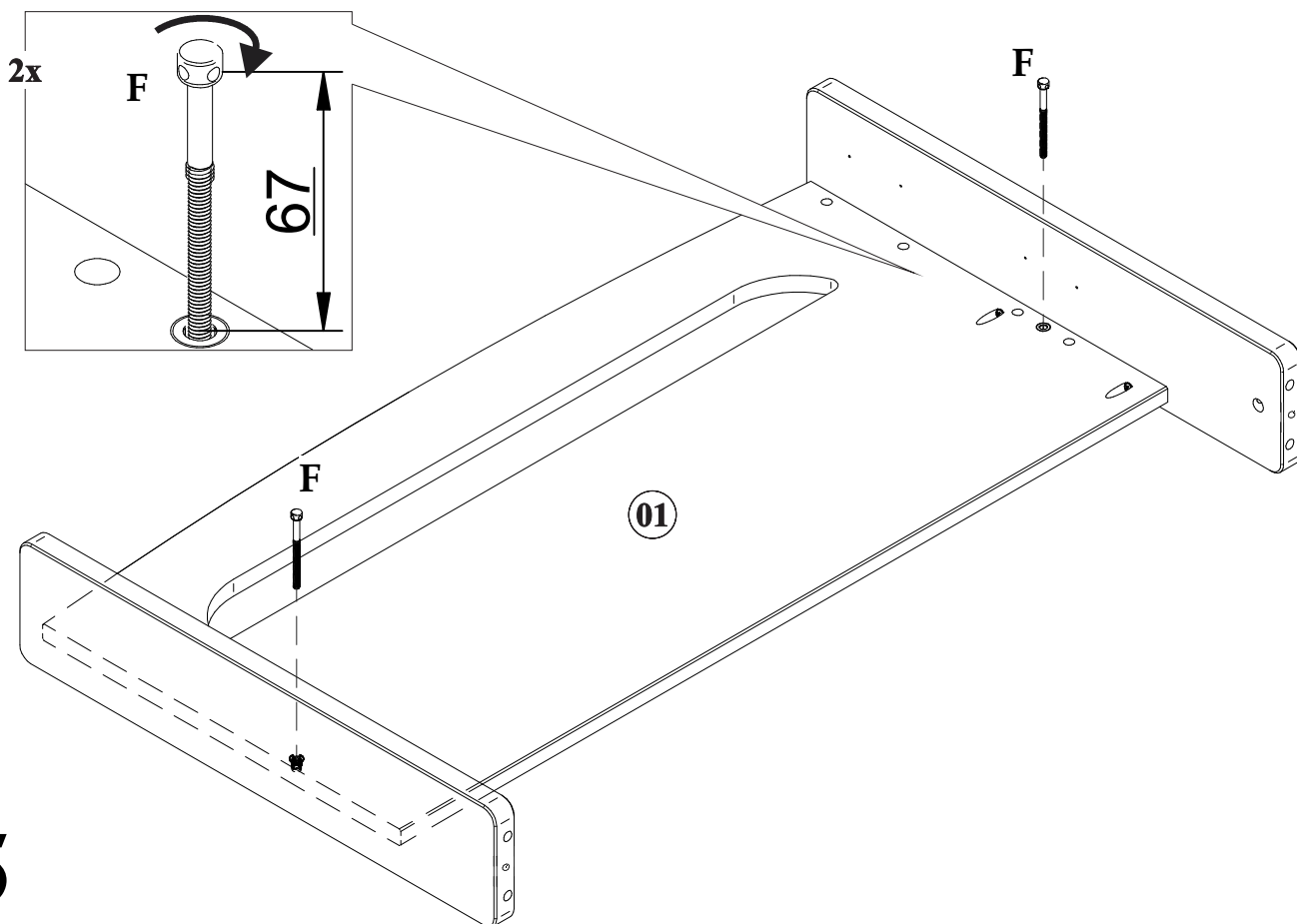
2



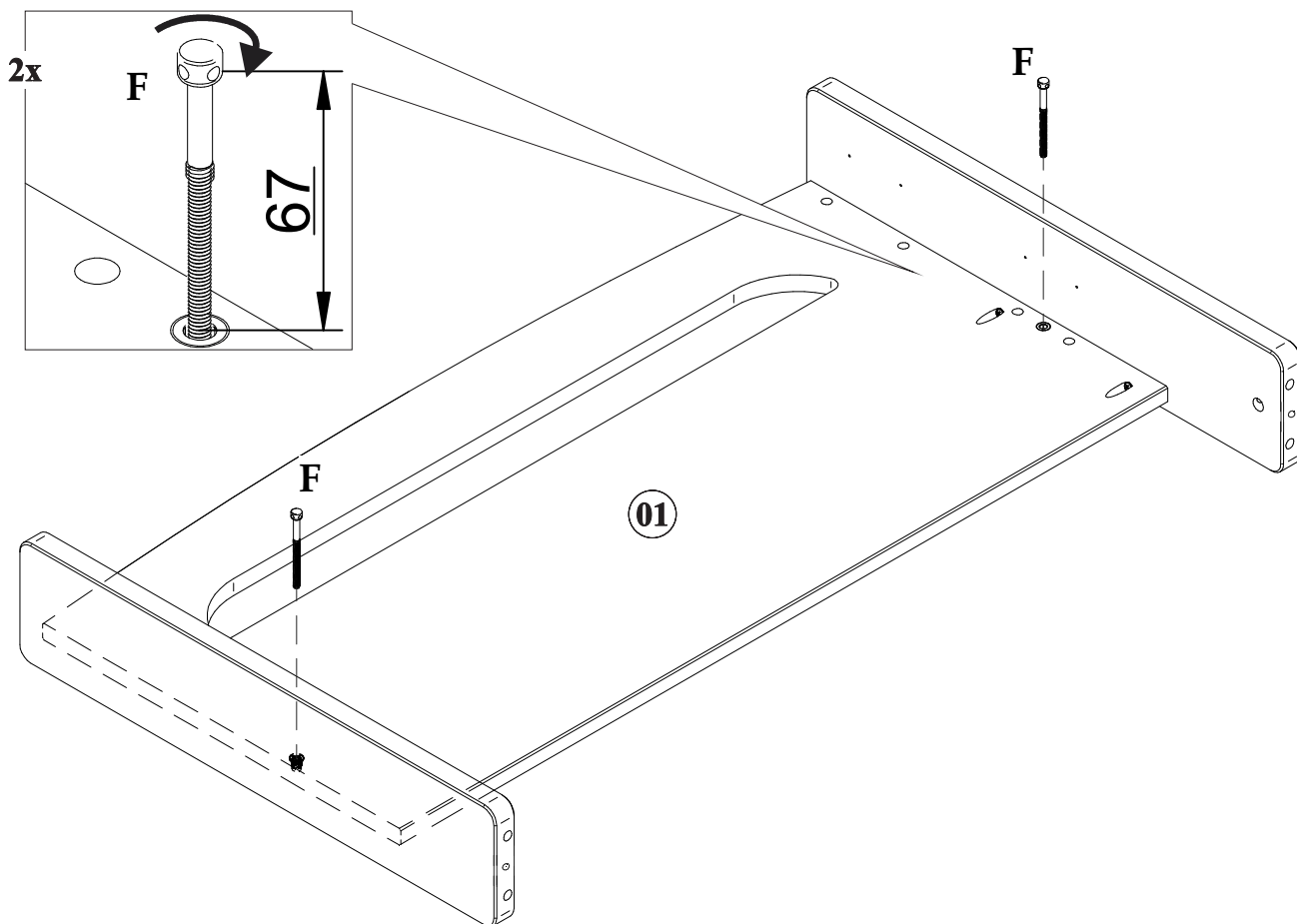
3



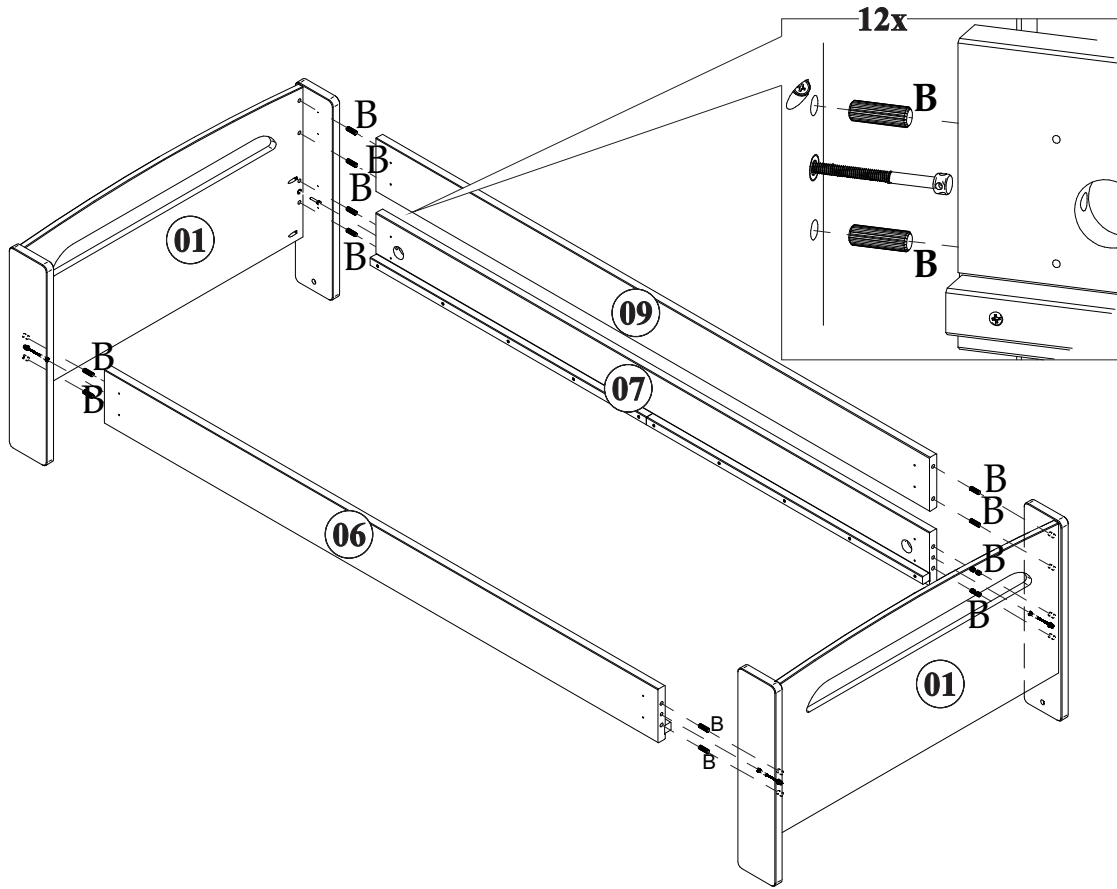
4



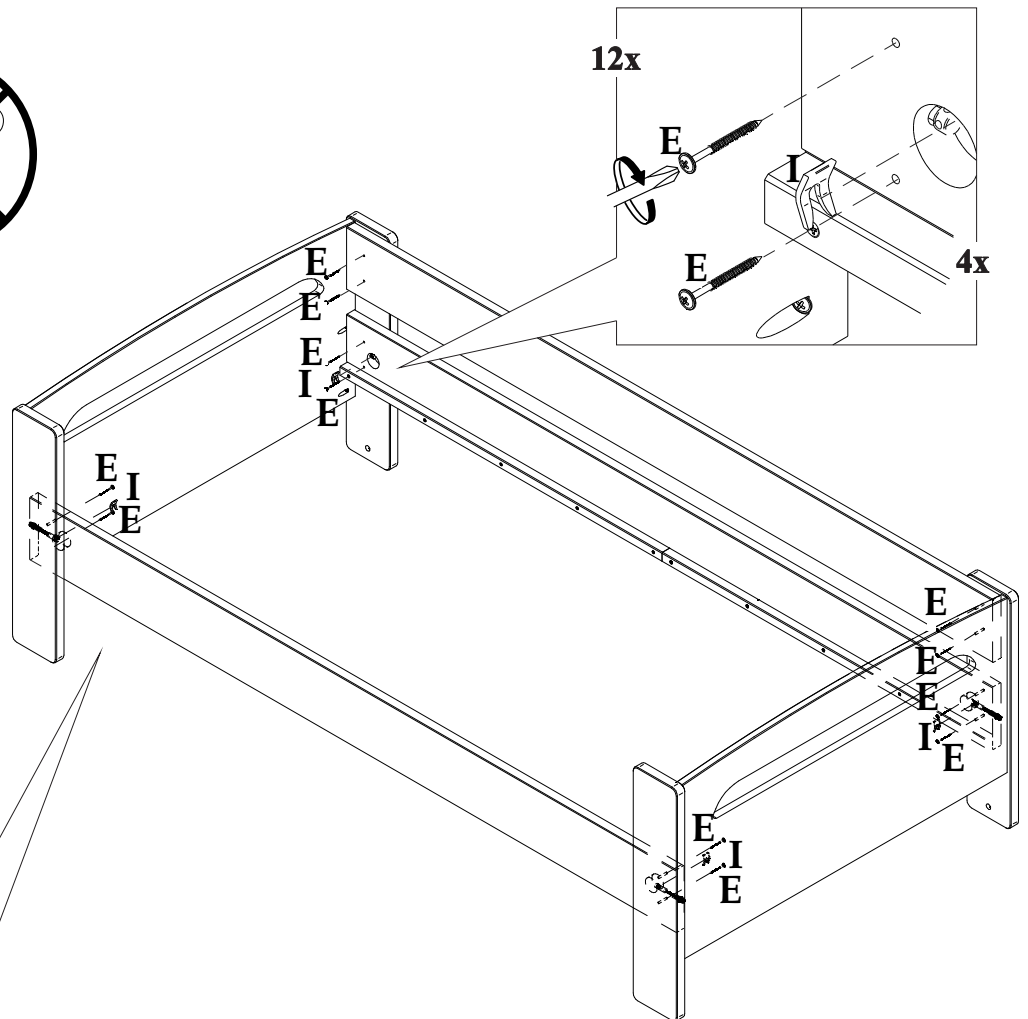
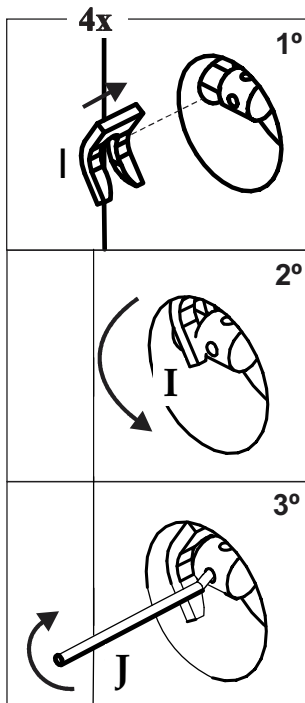
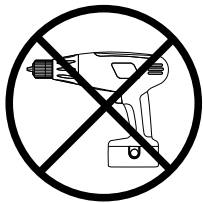
5



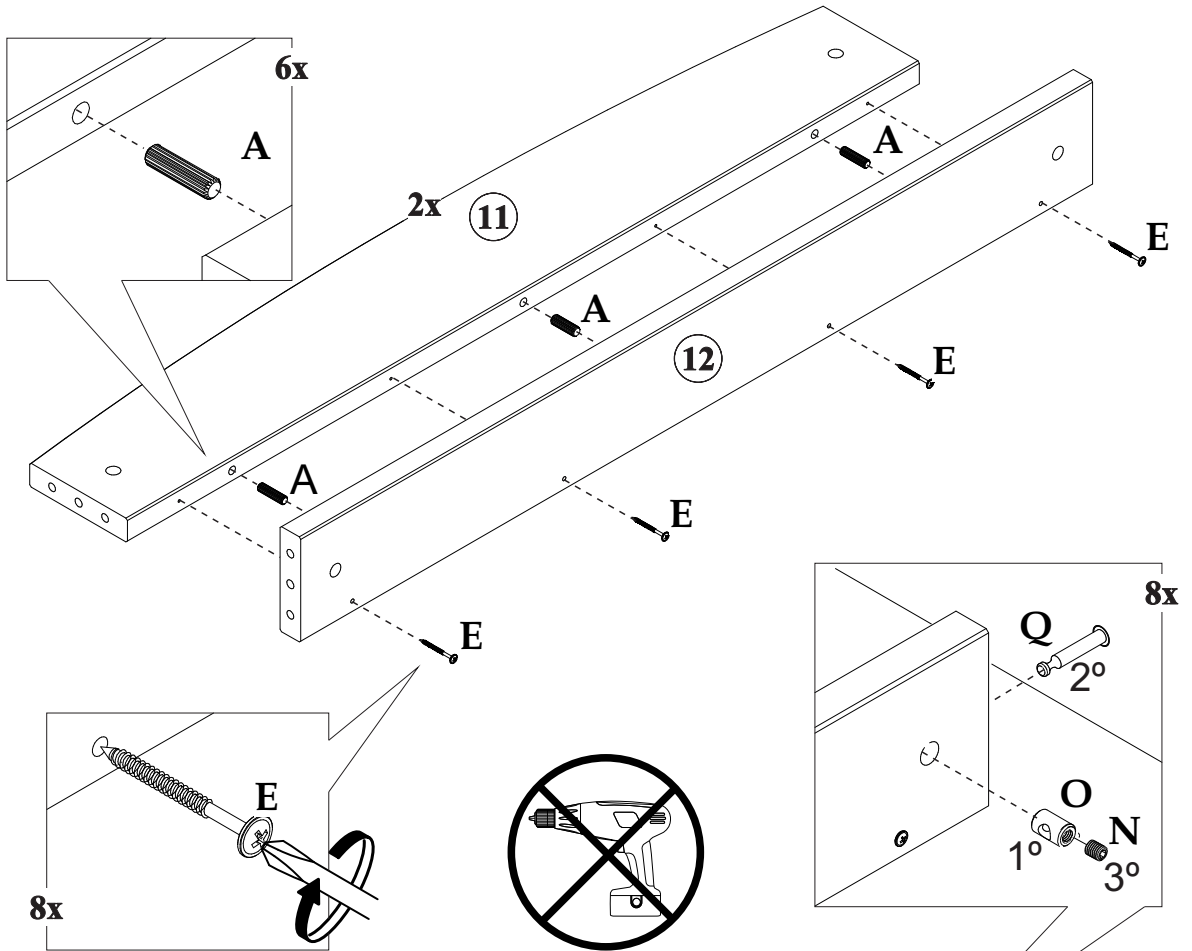
6



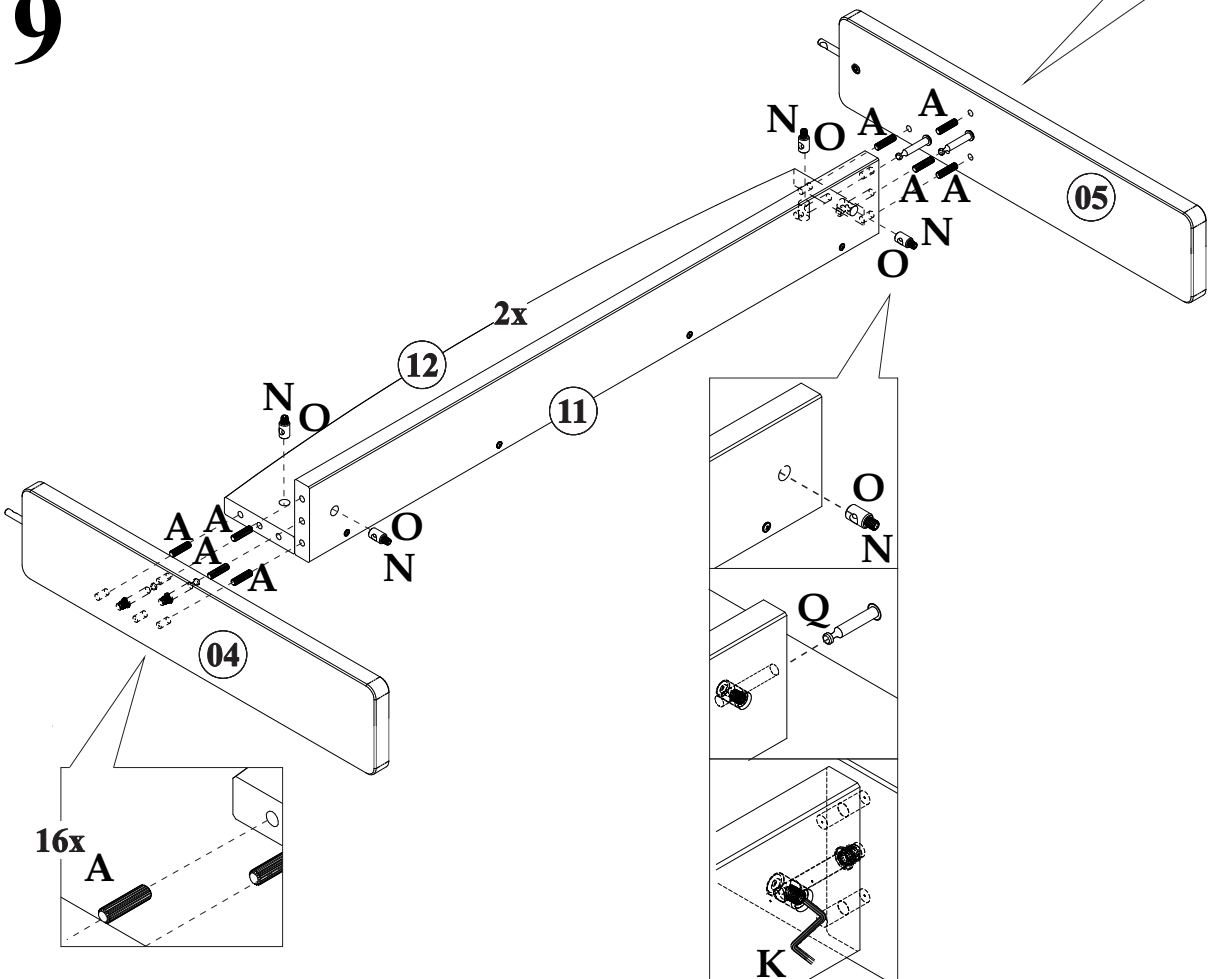
7



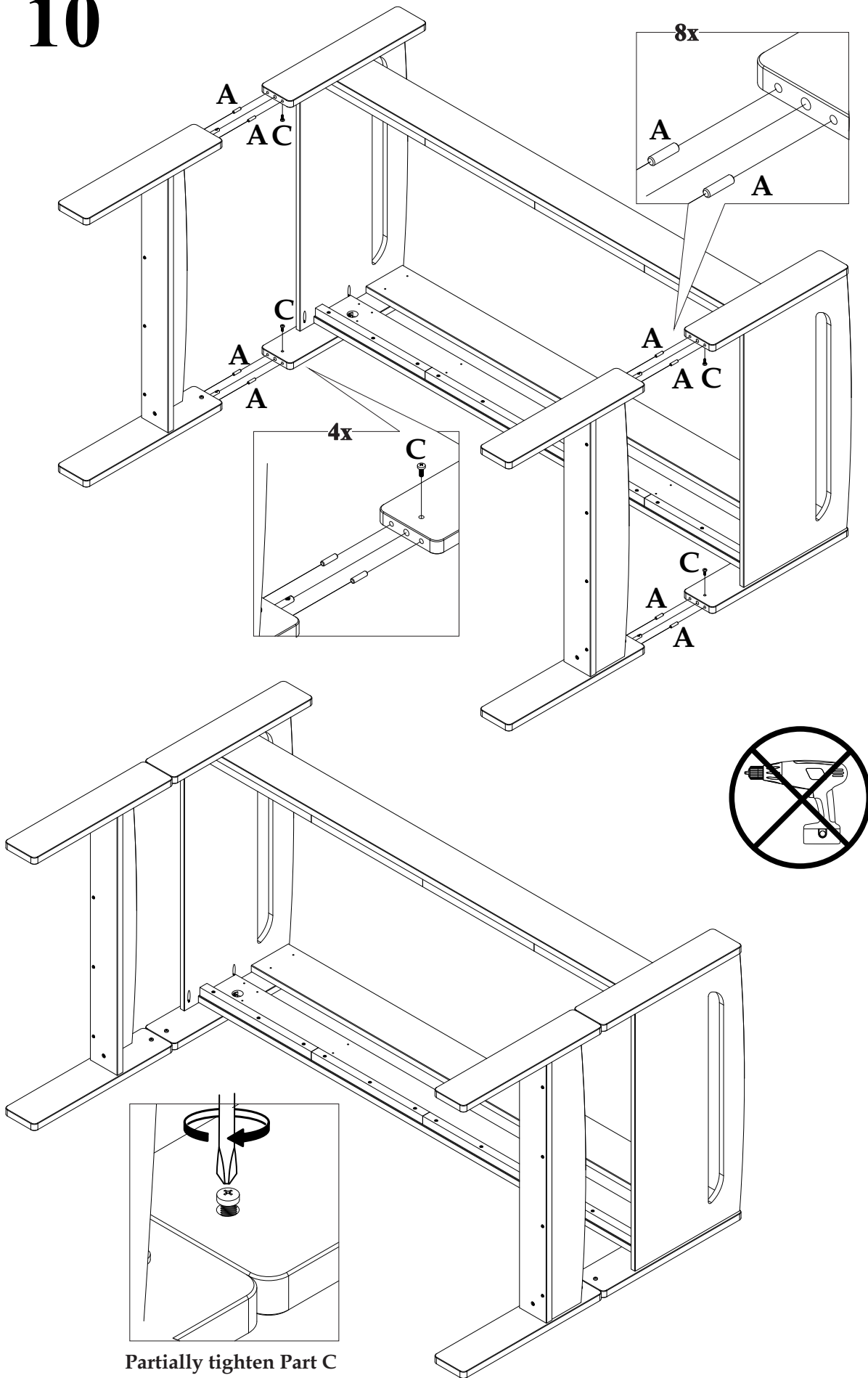
8



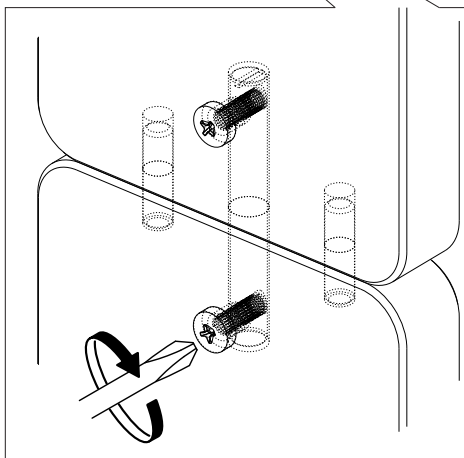
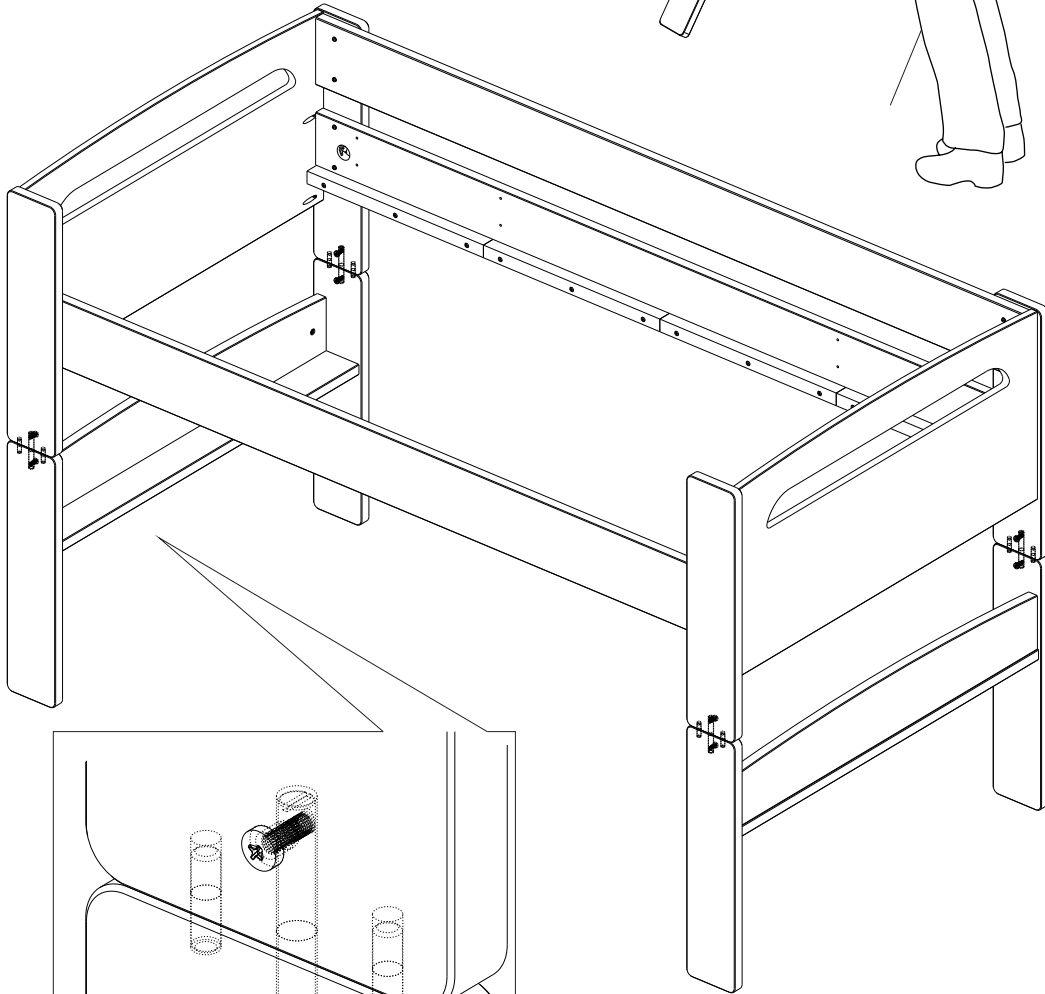
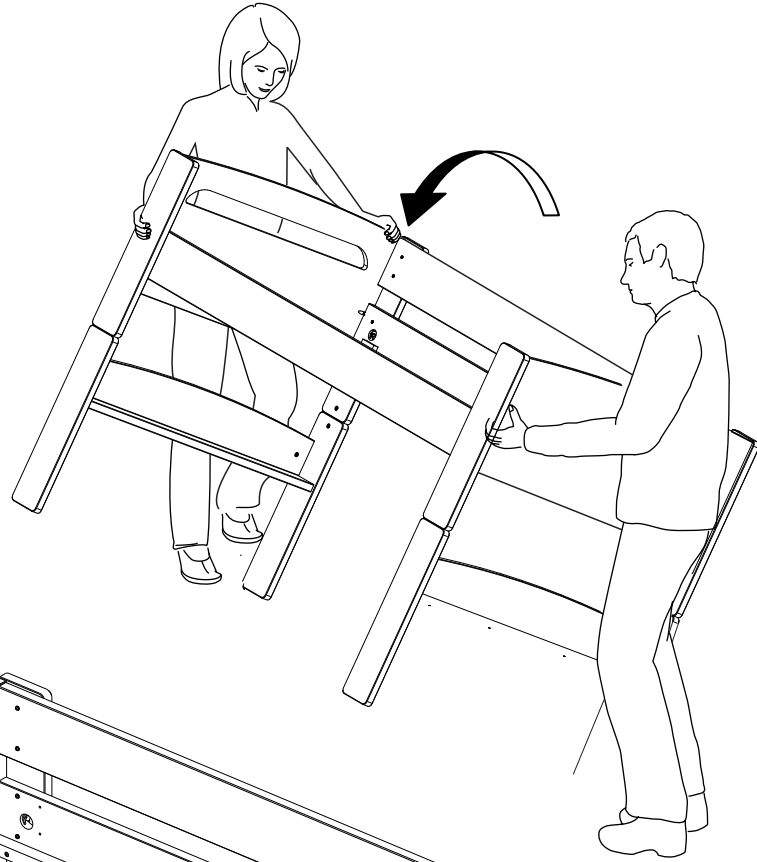
9



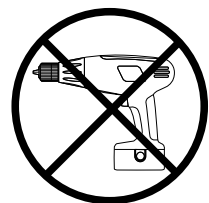
10



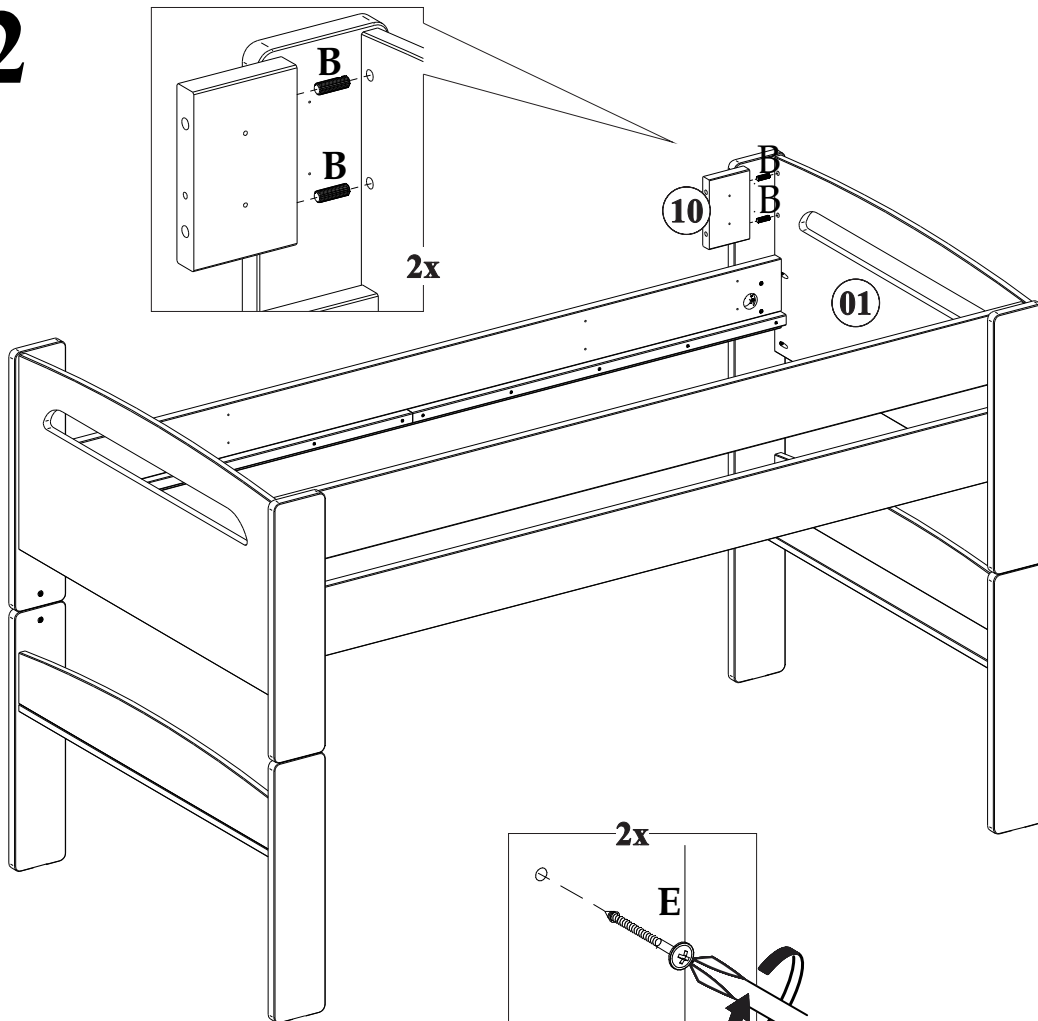
11



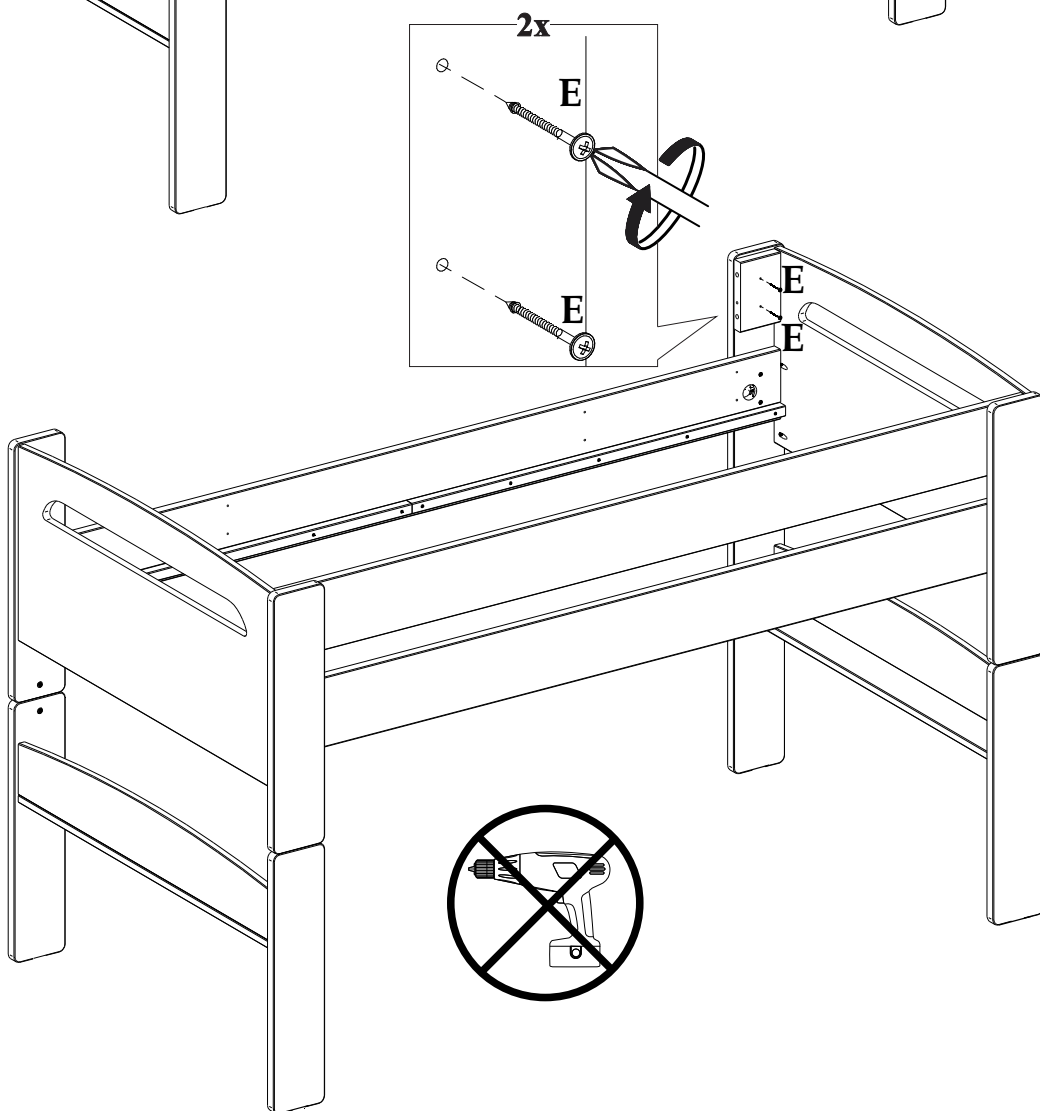
Fully tighten Part C



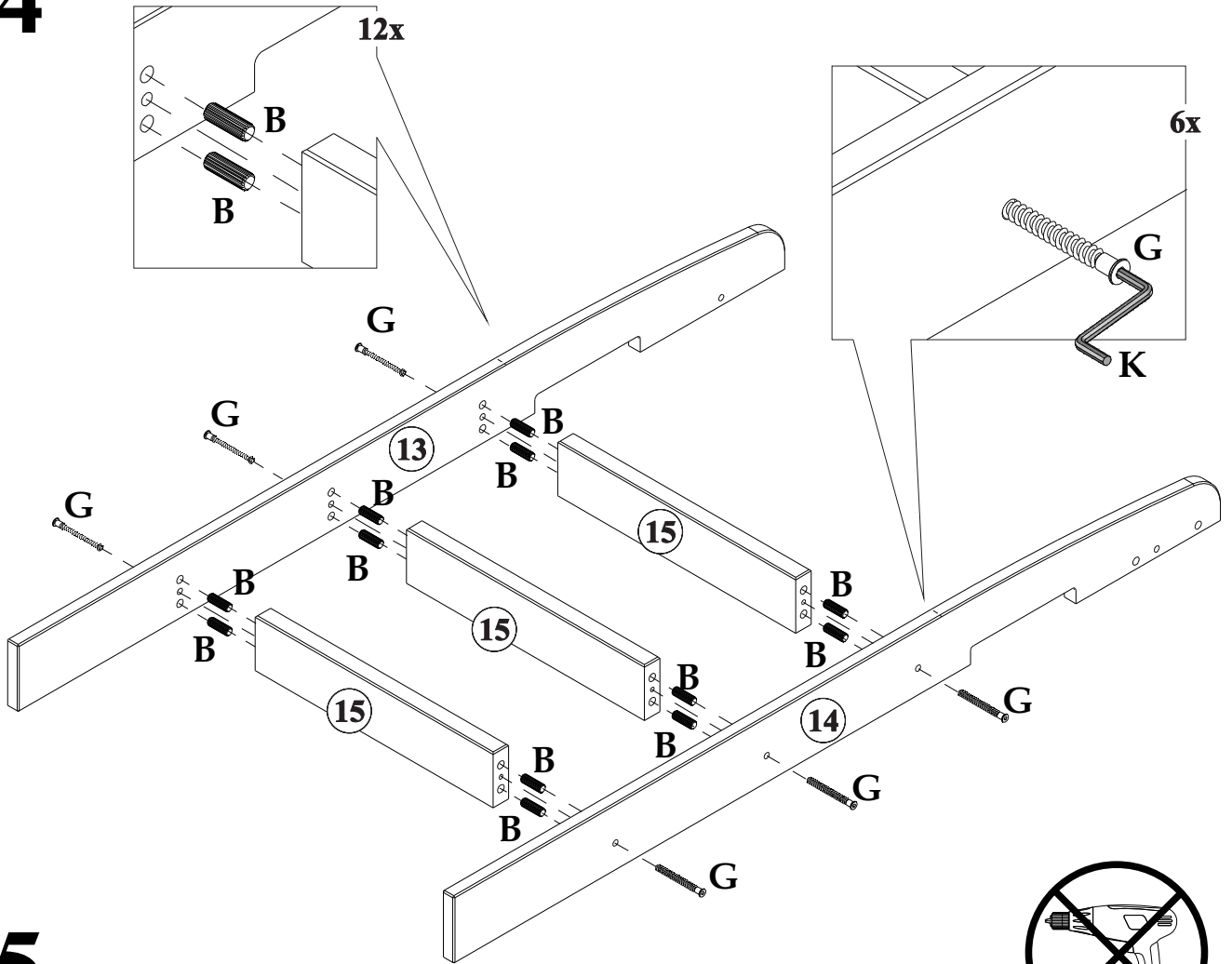
12



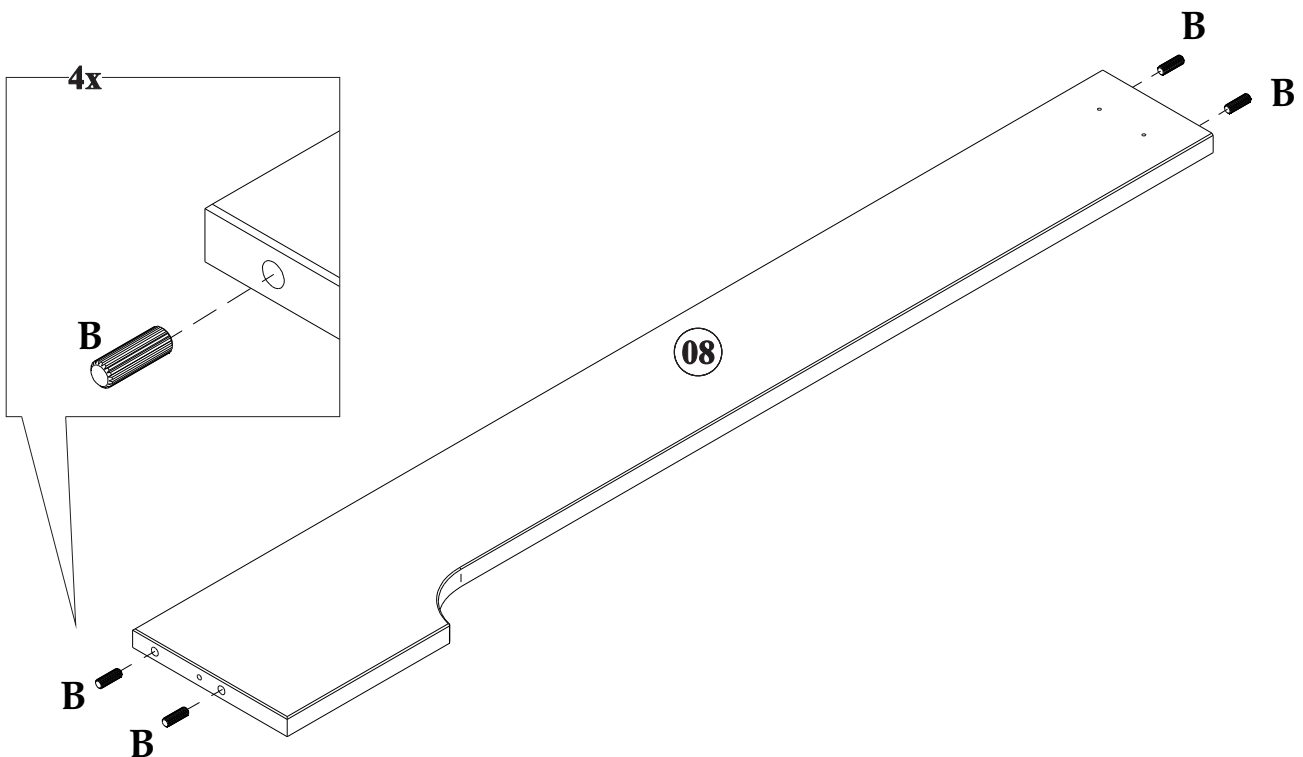
13



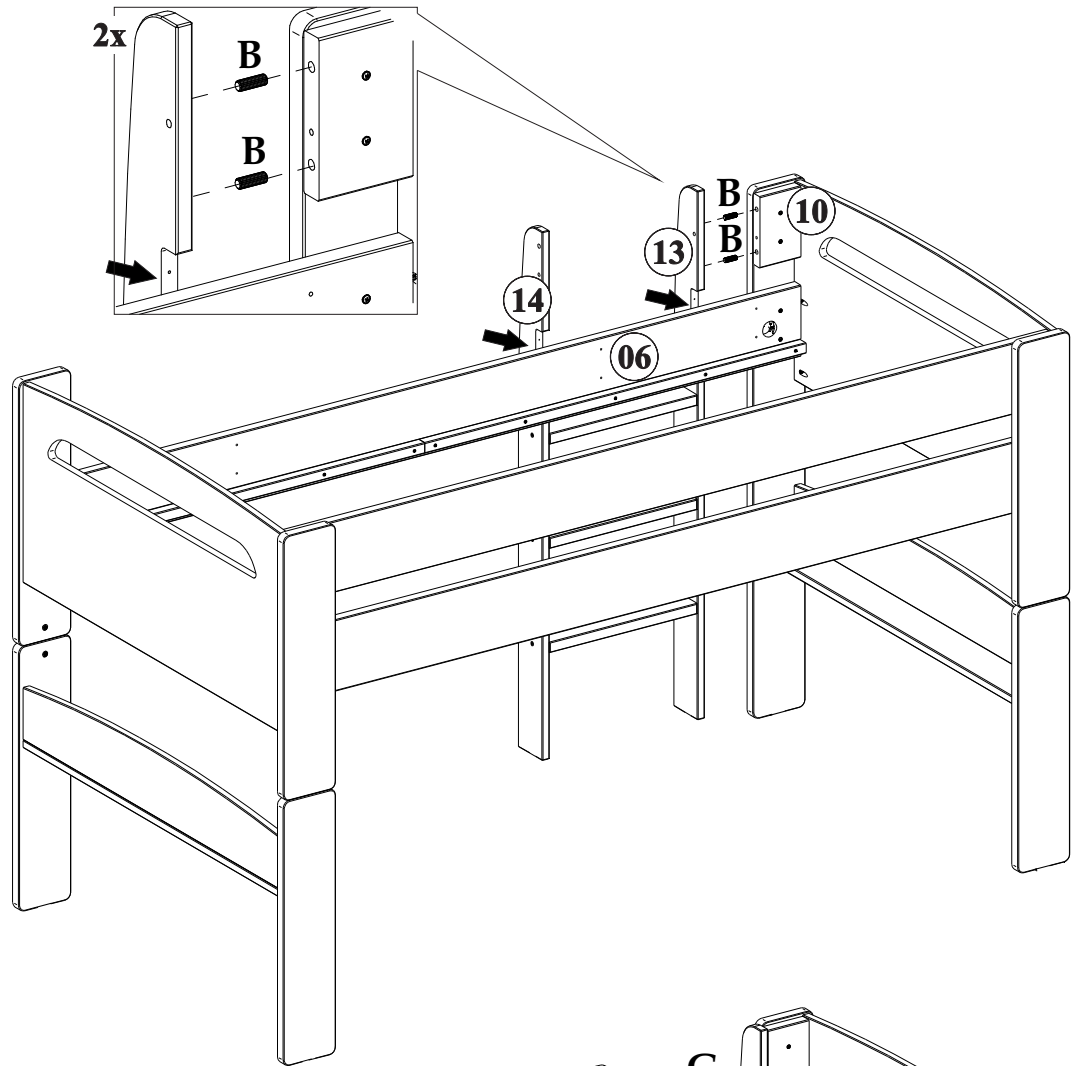
14



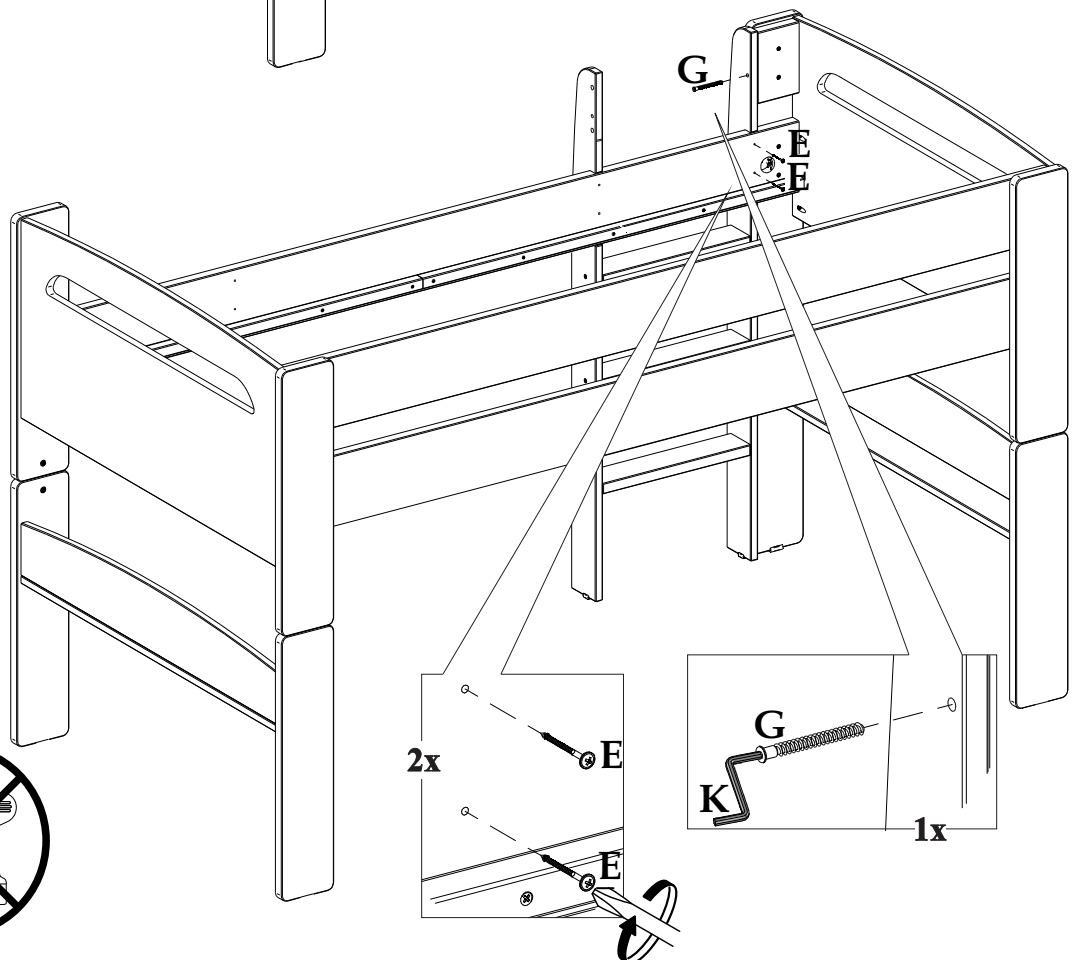
15



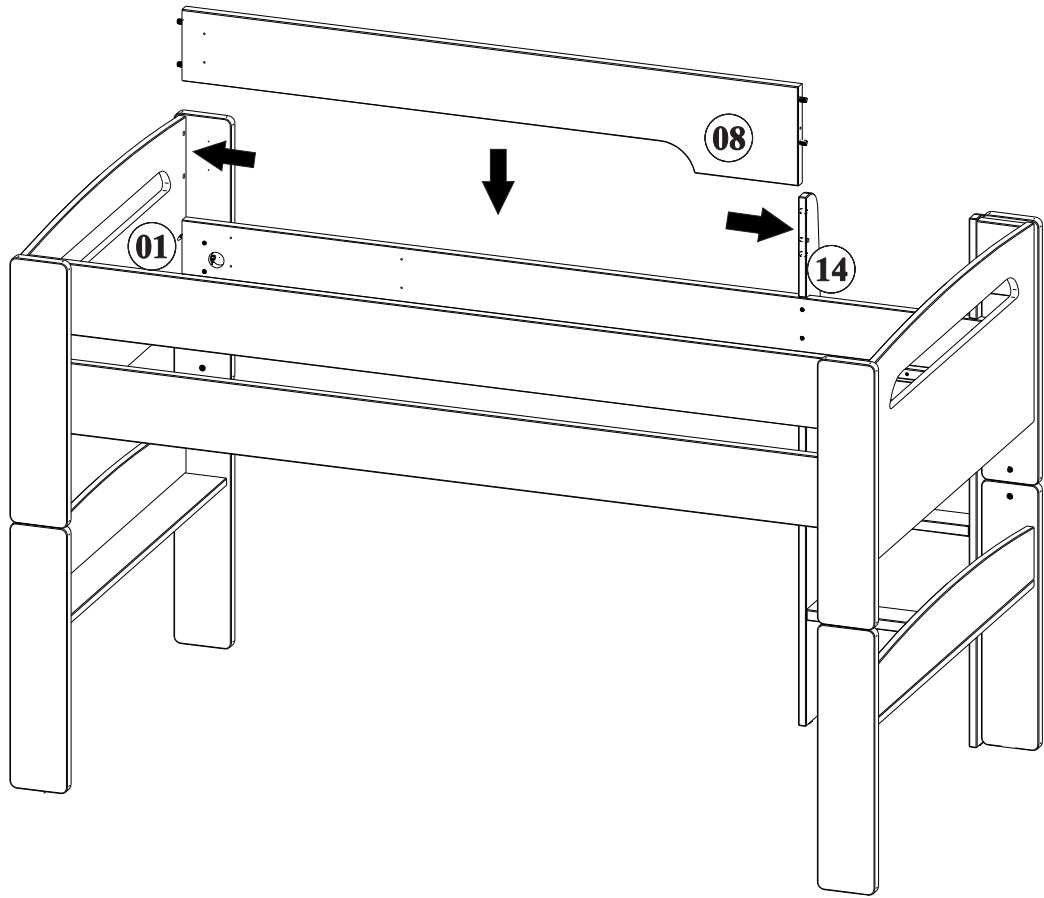
16



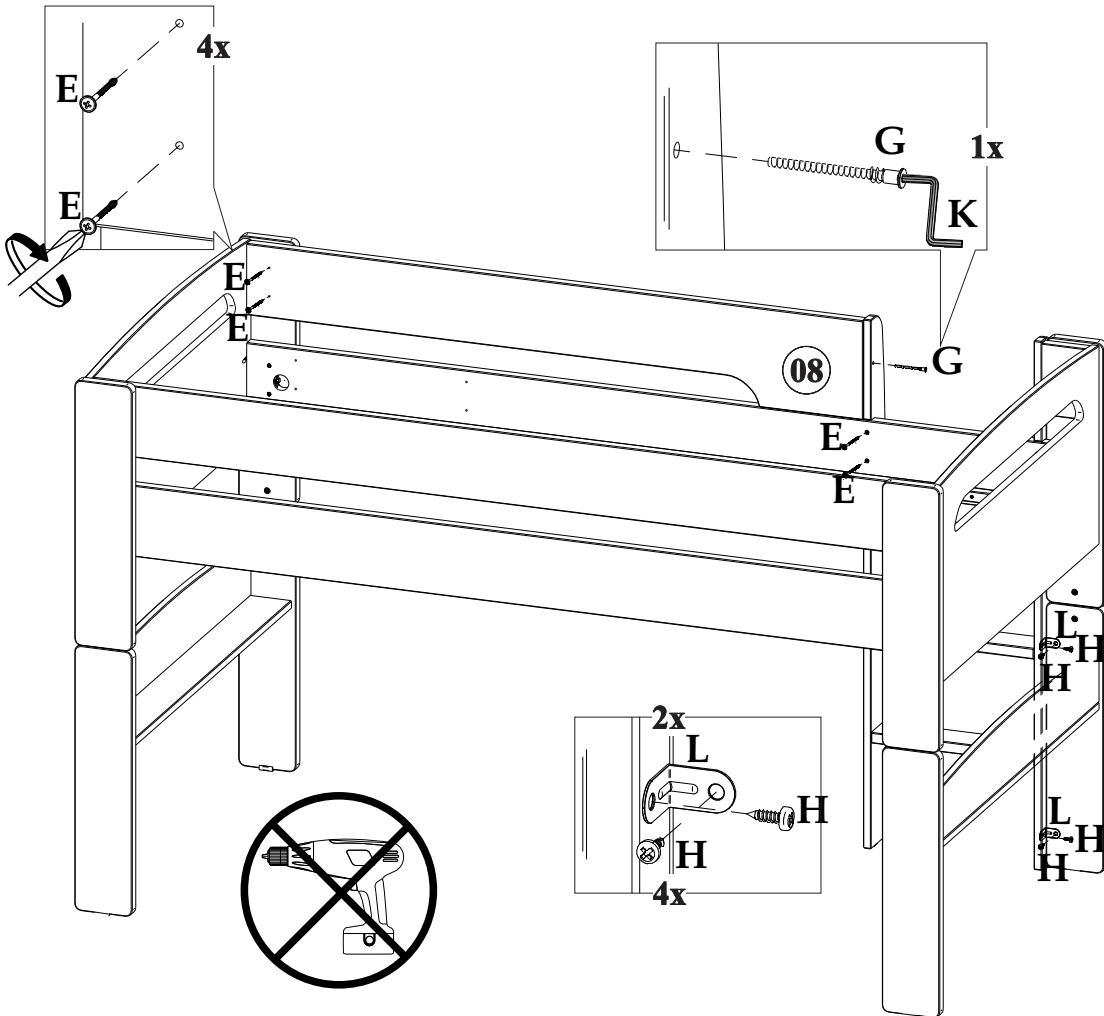
17



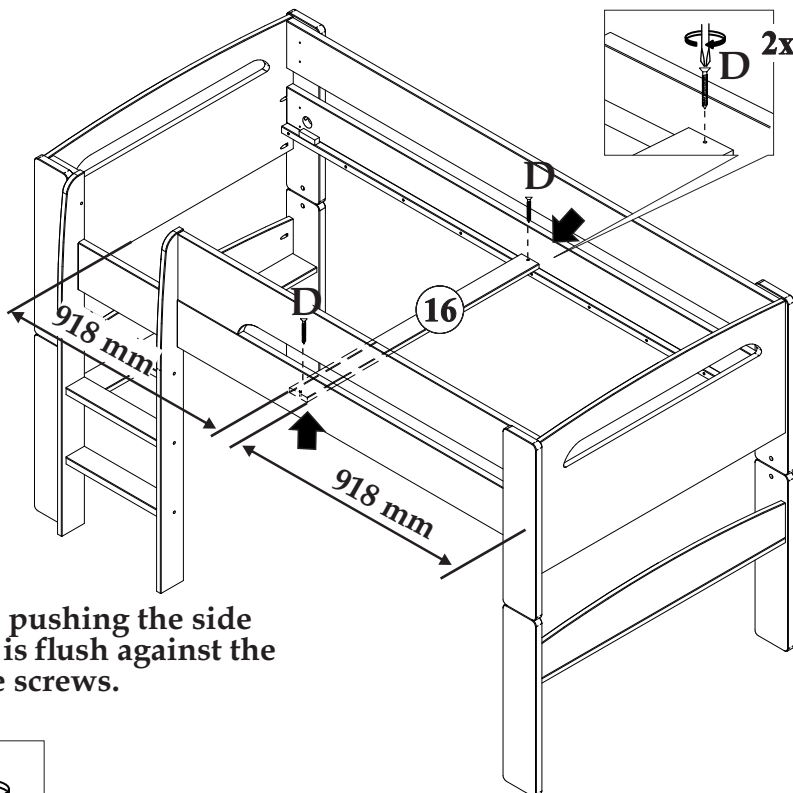
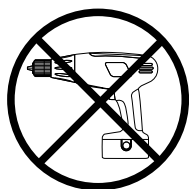
18



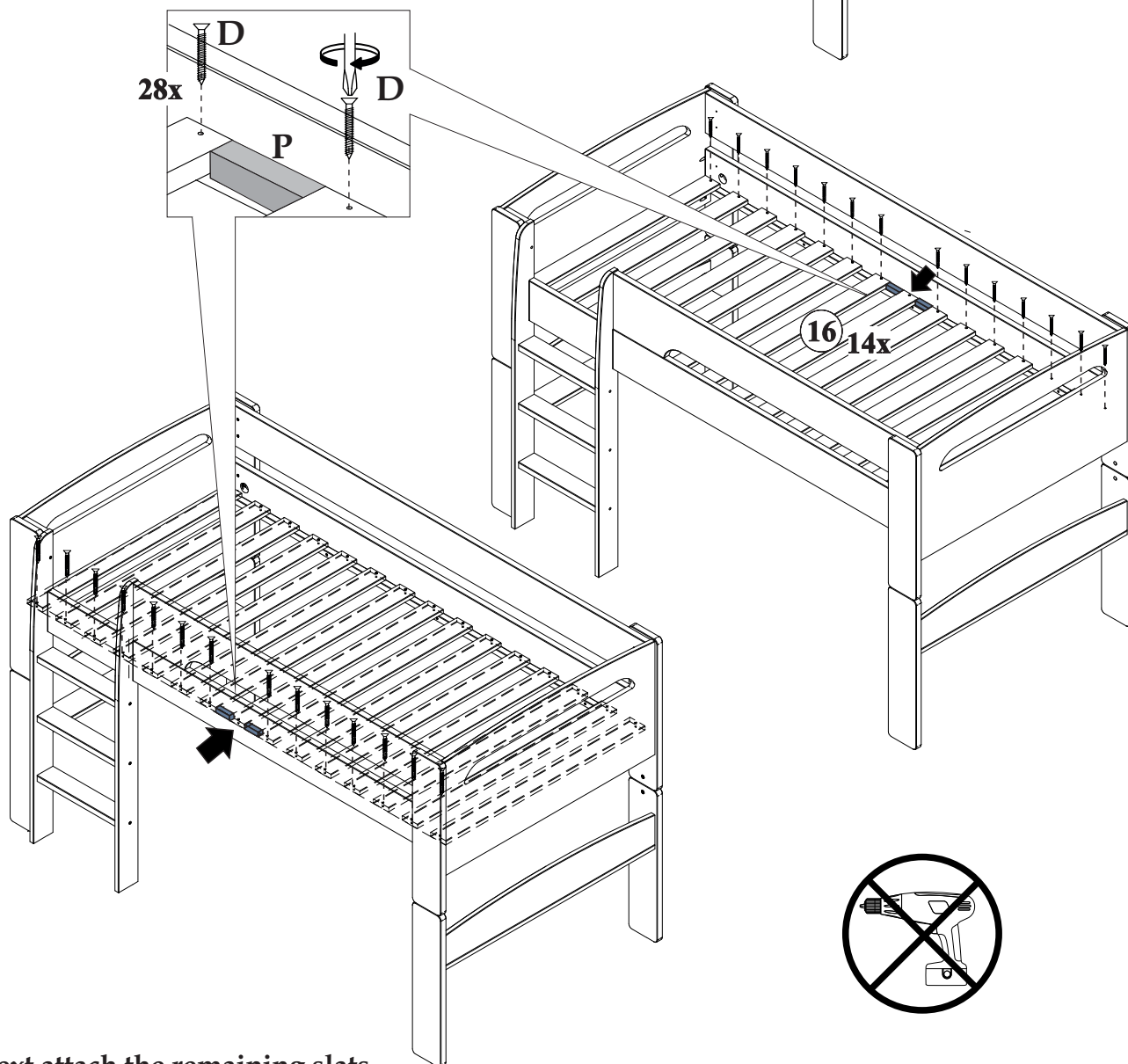
19



20



Attach the centre slat first by pushing the side rails together so that the slat is flush against the side rail, before inserting the screws.



Next attach the remaining slats. Place the slats onto the side rail supports and distribute evenly by using the spacer provided.

IMPORTANT INFORMATION FOR USE AS A SINGLE BED

WARNING- This bed is not suitable for children under 4 years.

WARNING- Do not place this child's bed near heat sources, windows and other furniture.

WARNING- Do not use this child's bed if any part is broken, torn or missing.

It is recommended that you always follow the manufacturer's instructions to assemble this product.

This product is intended for use by children over 4 years of age.

Children are likely to play, bounce, jump and climb on beds, therefore the child's bed should not be placed too close to other furniture or windows, blind cords, curtain pulls or other strings or cords and should be placed either tight to the wall or have a gap of 300mm between the wall and side of bed.

This bed may not be dismantled for storage or transportation. Replacement parts can be obtained from Julian Bowen Limited where available and at additional cost.

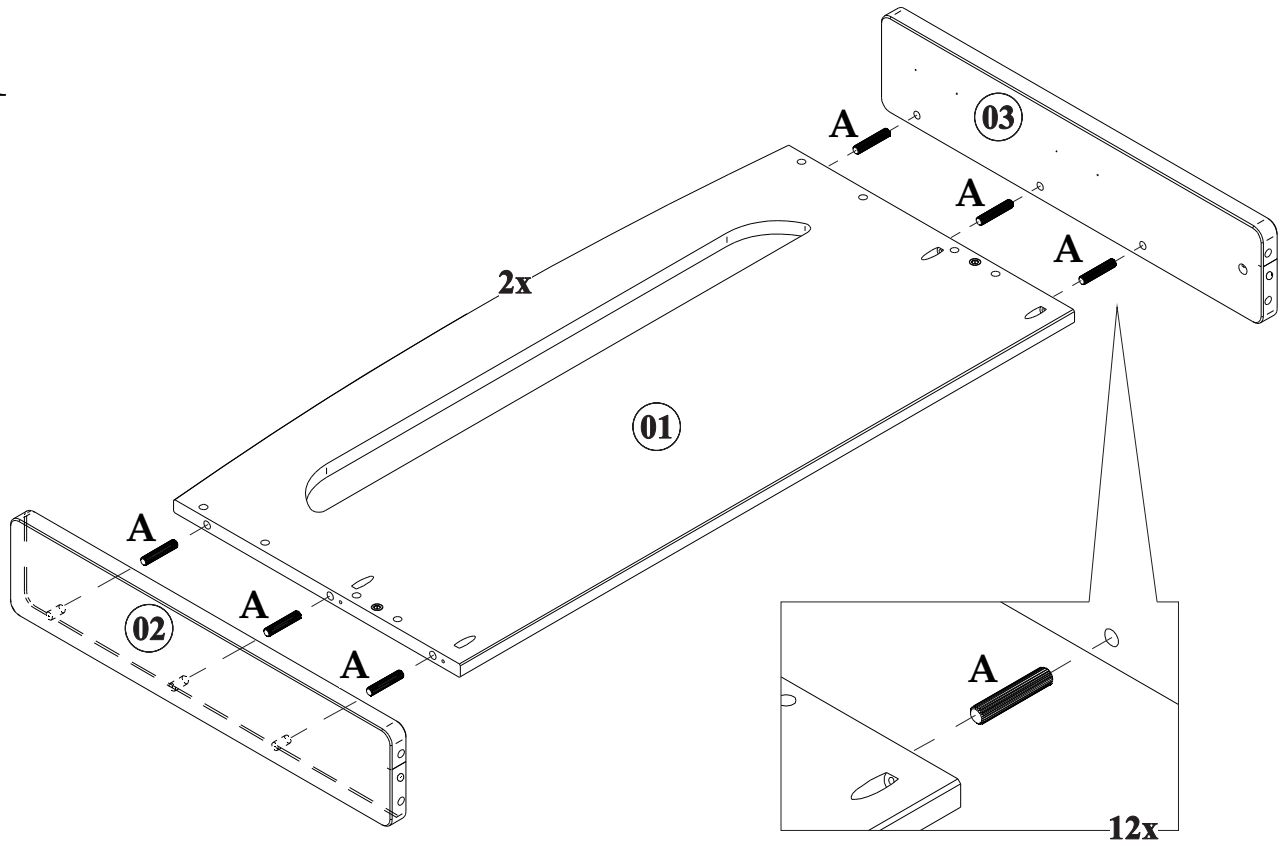
Recommended Mattress Size: 90cm x 190 cm (UK Single) with a depth of no more than 23 cm.

It is necessary to frequently ventilate the room in order to keep the humidity low and to prevent mould in and around the bed.

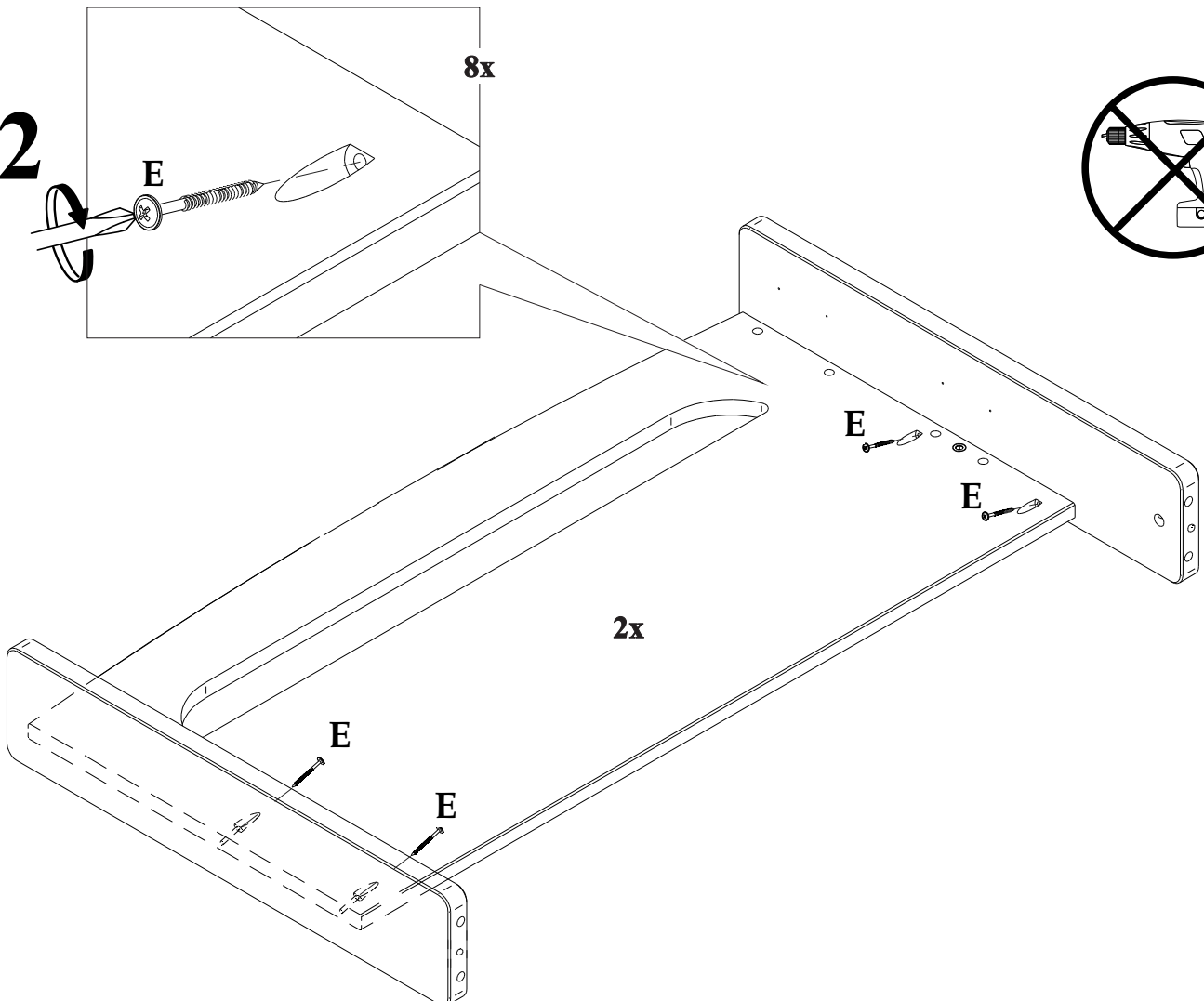
Please periodically check all the fixings of the item and re-tighten when necessary.

This item conforms to British Safety Standards - BS8509:2008 + A1:2011

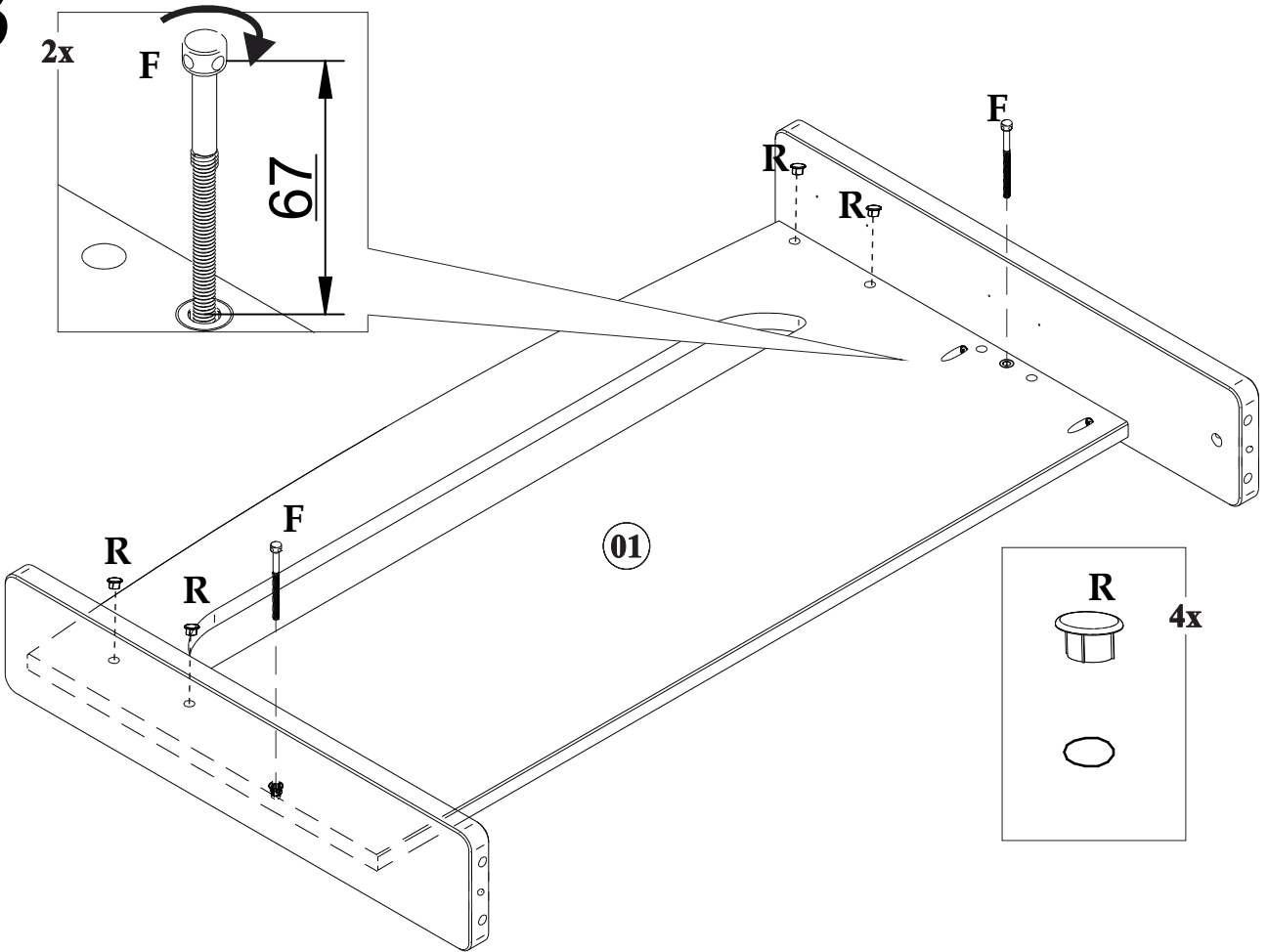
1



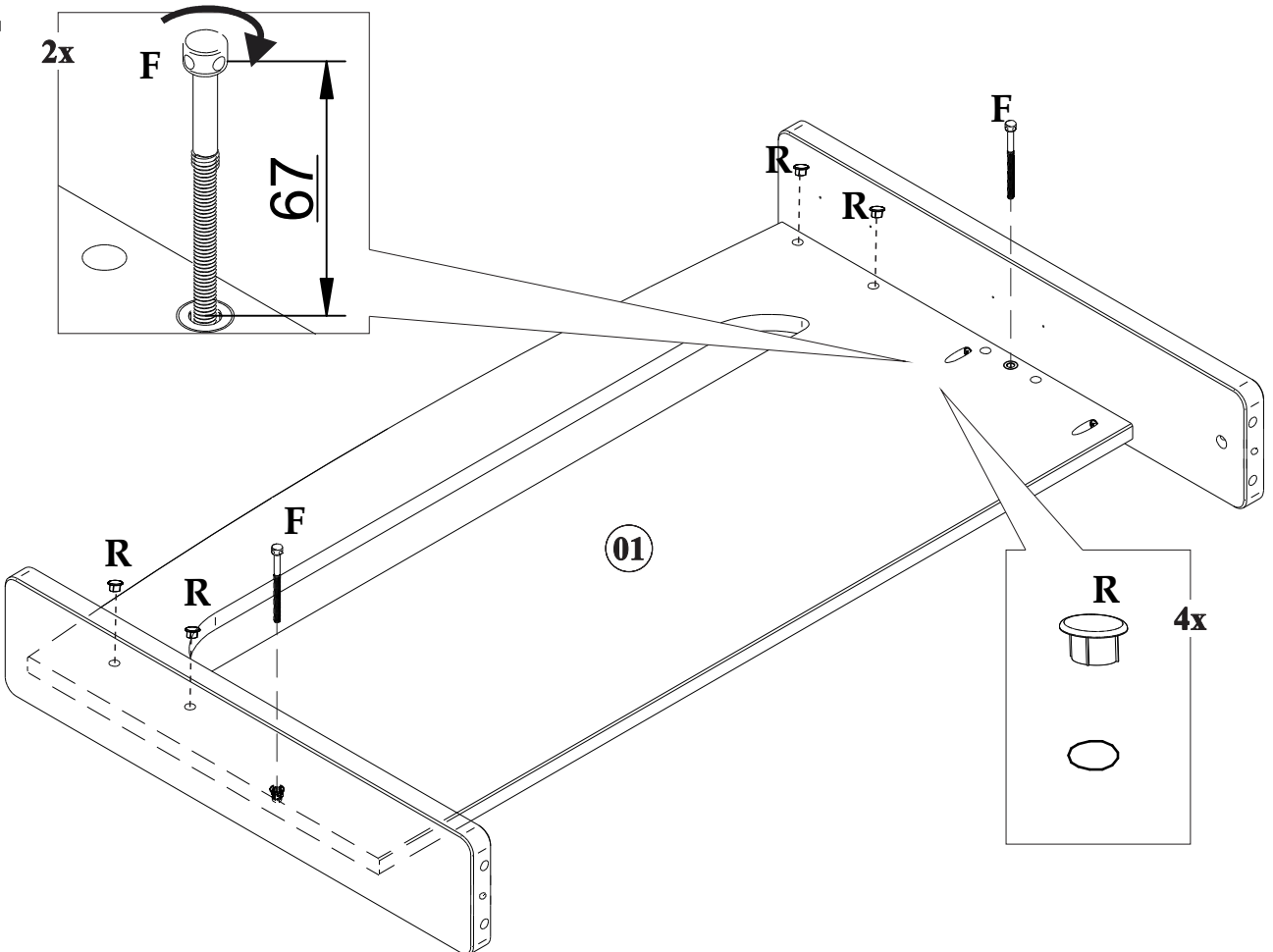
2



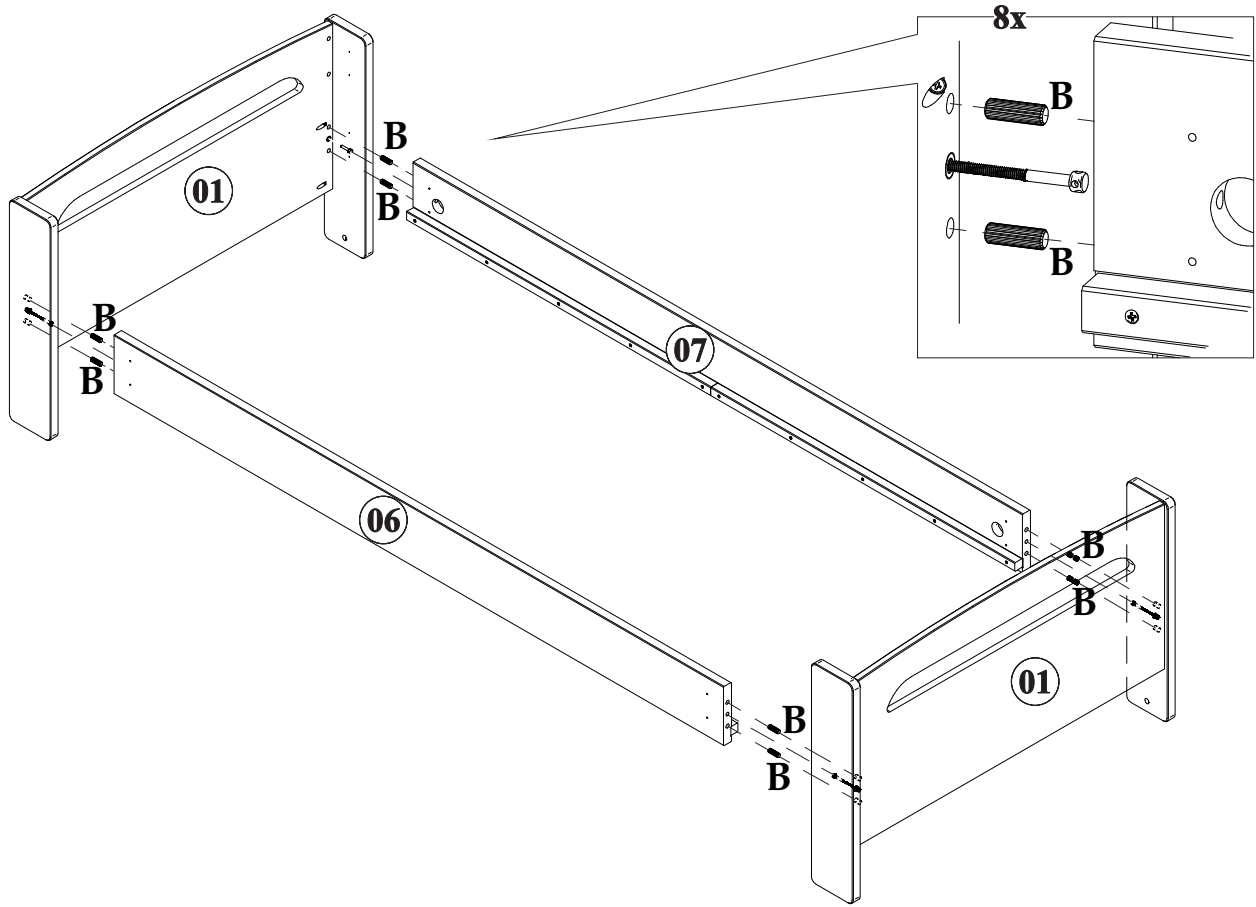
3



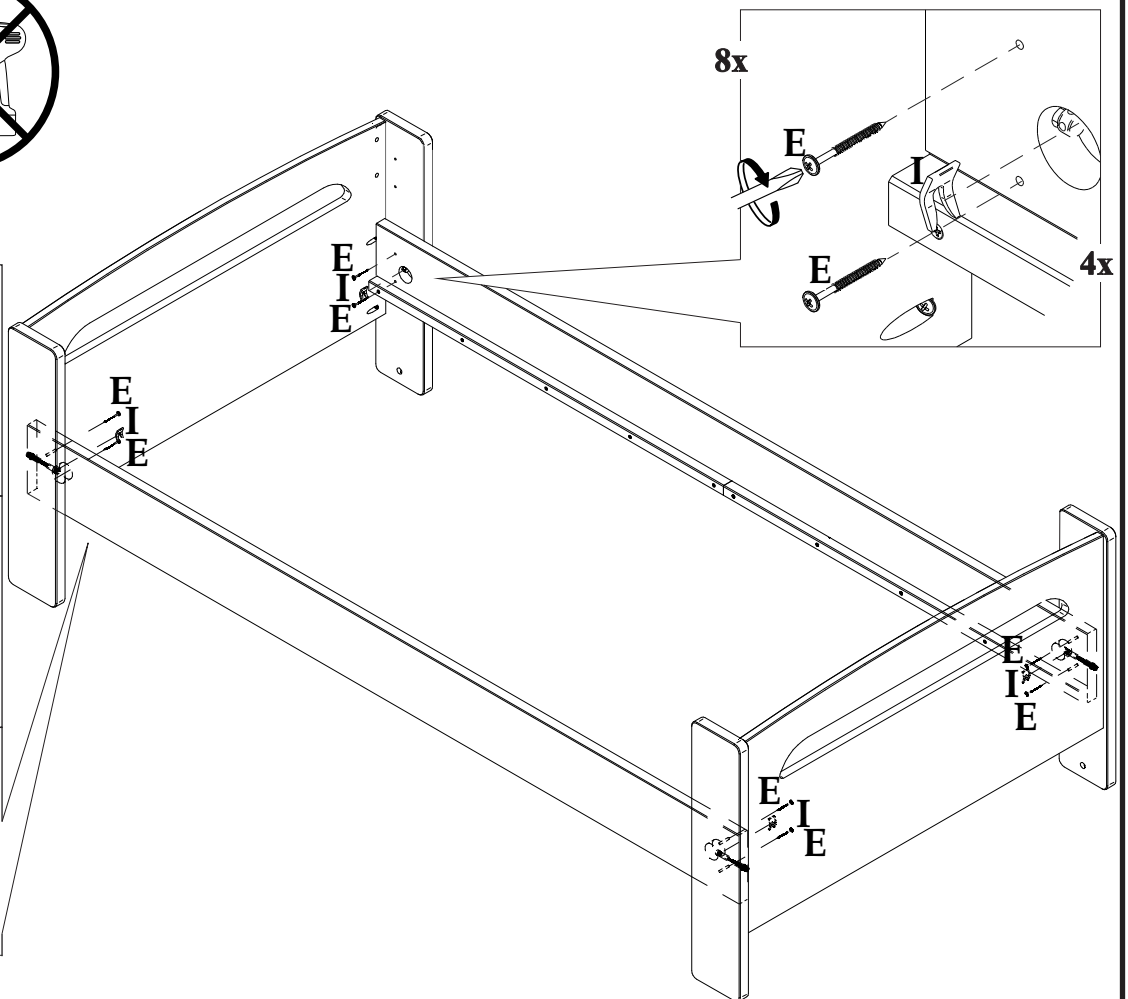
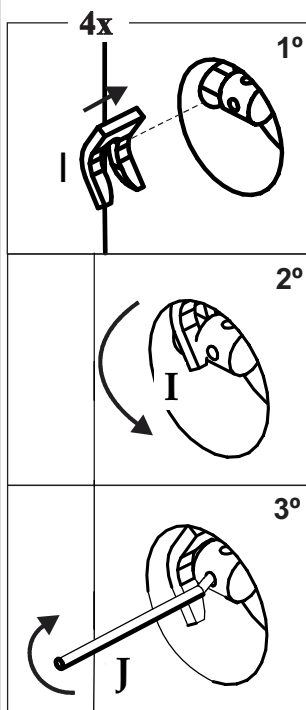
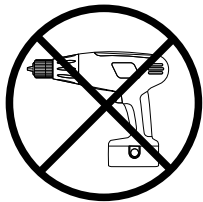
4



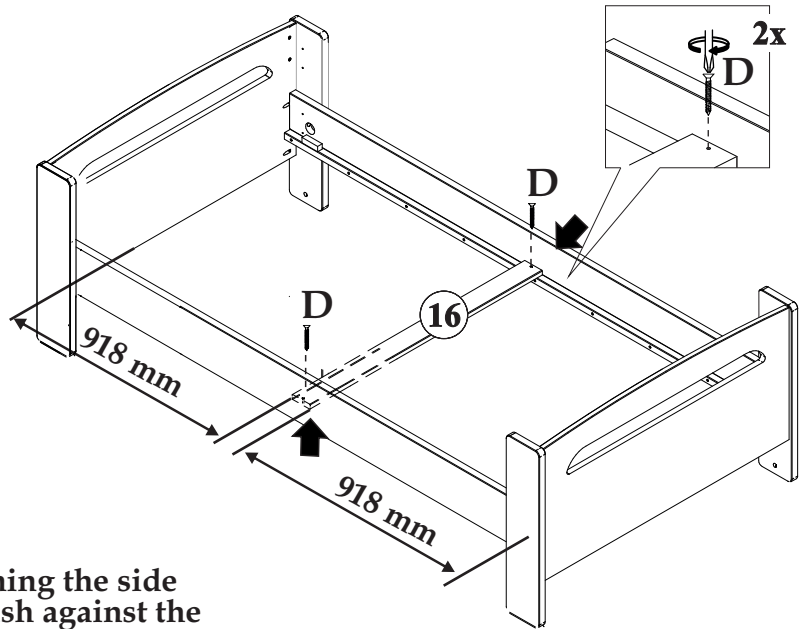
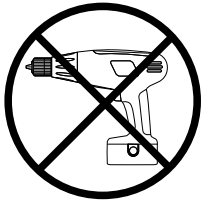
5



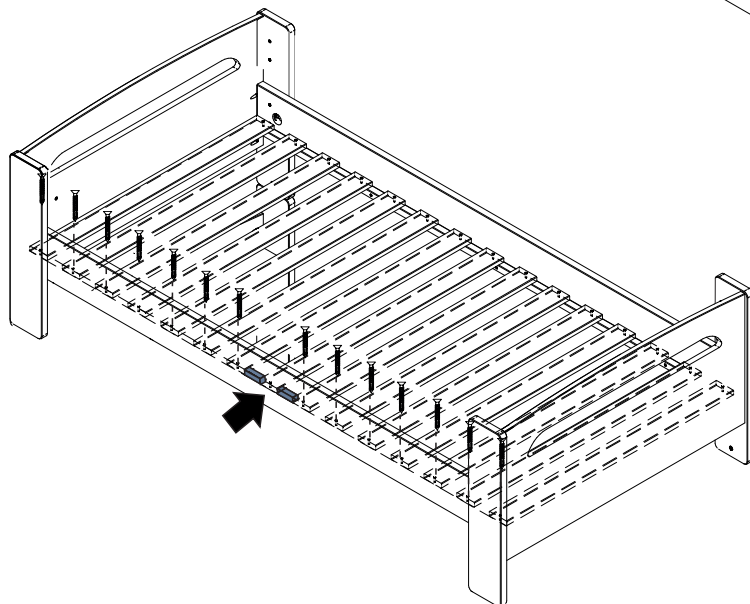
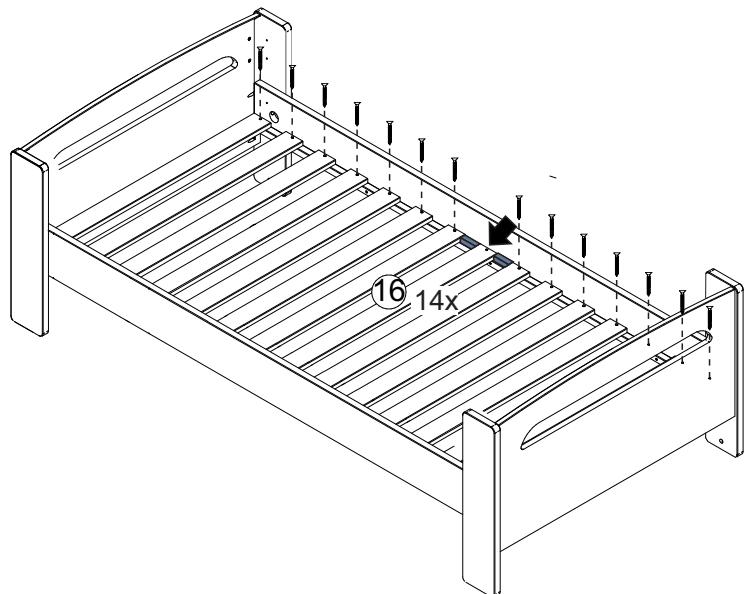
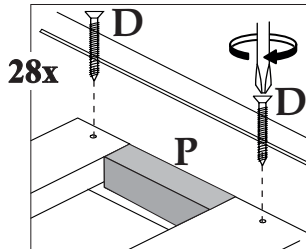
6



7



Attach the centre slat first by pushing the side rails together so that the slat is flush against the side rail, before inserting the screws.



Next attach the remaining slats. Place the slats onto the side rail supports and distribute evenly by using the spacer provided.



GENERAL CARE & MAINTENANCE

We advise that when cleaning the product that a damp cloth is used.

Avoid the use of all household cleaners and abrasive.

Never push or drag the furniture.

Never attempt to move the furniture when fully loaded.

We advise that periodically all fixing are re-tightened.