

ASSEMBLY INSTRUCTIONS

Neptune Midsleeper

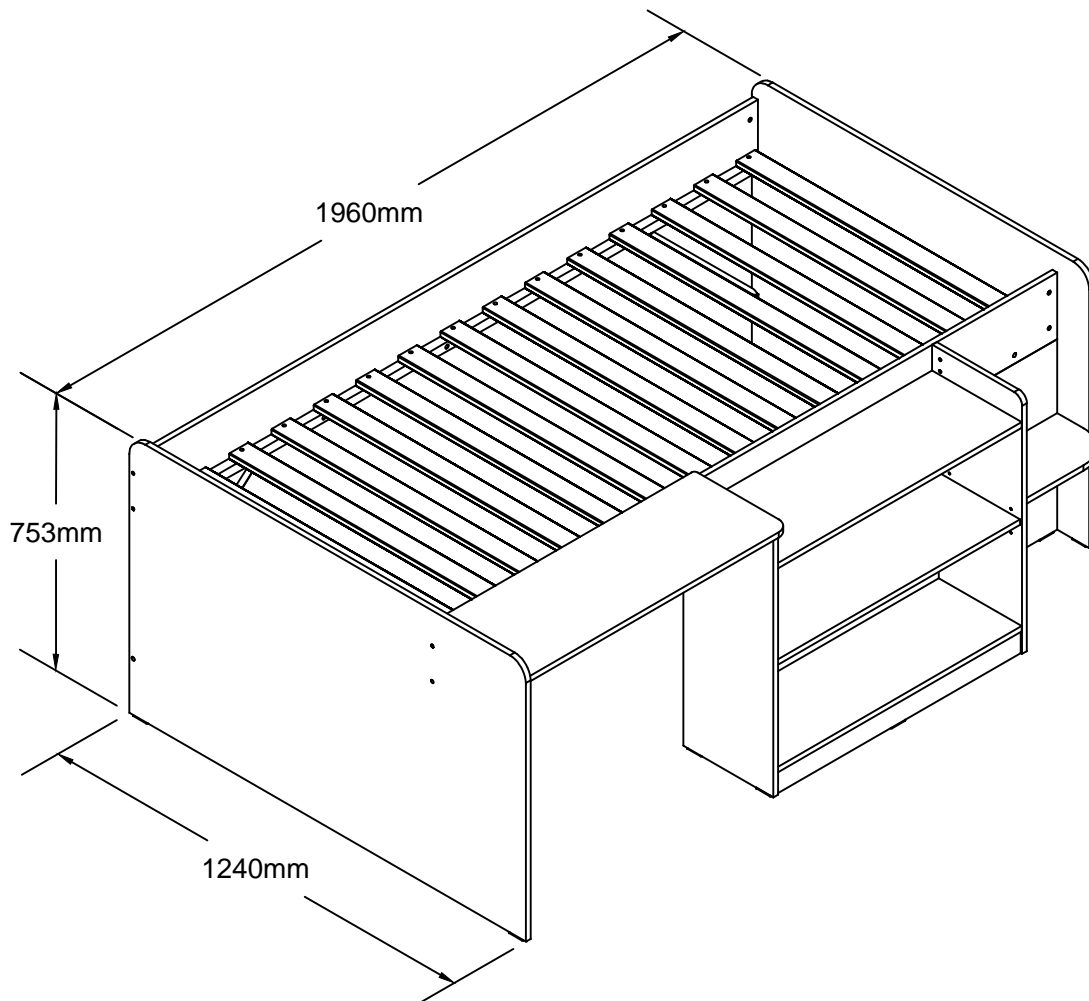
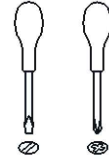
Approximate Assembly Time



People Required to Assemble



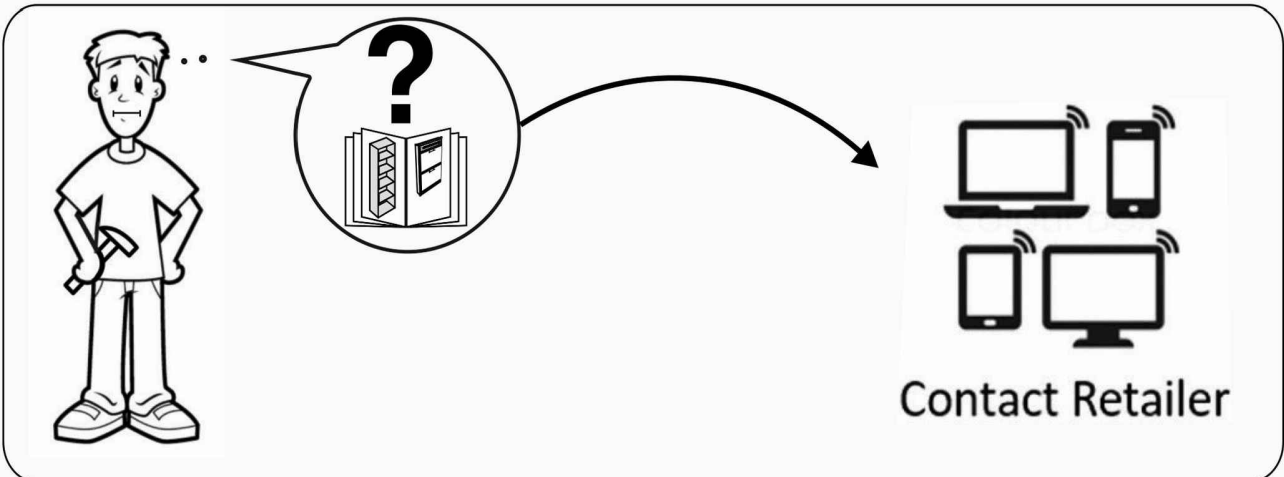
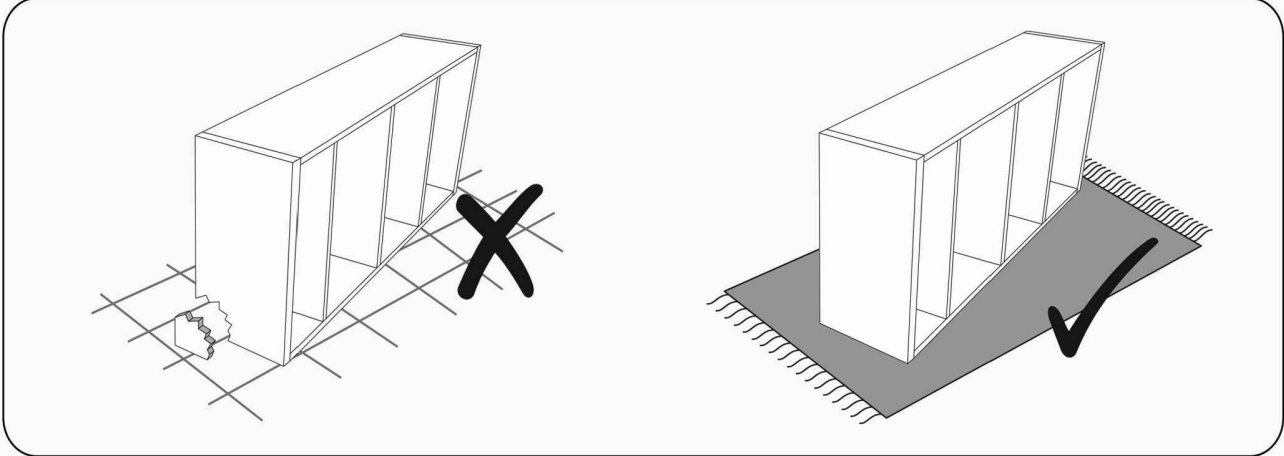
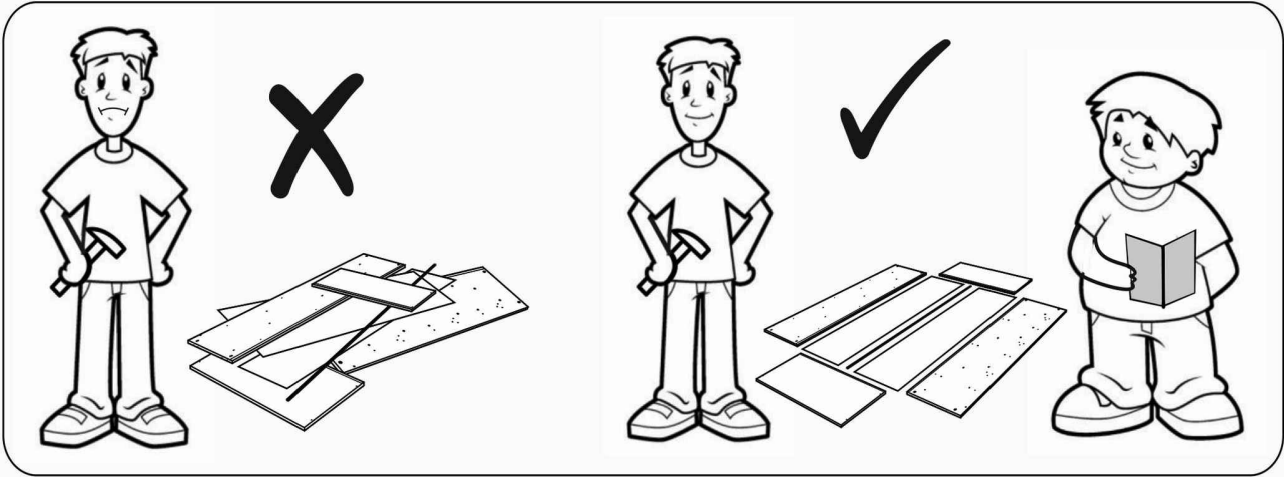
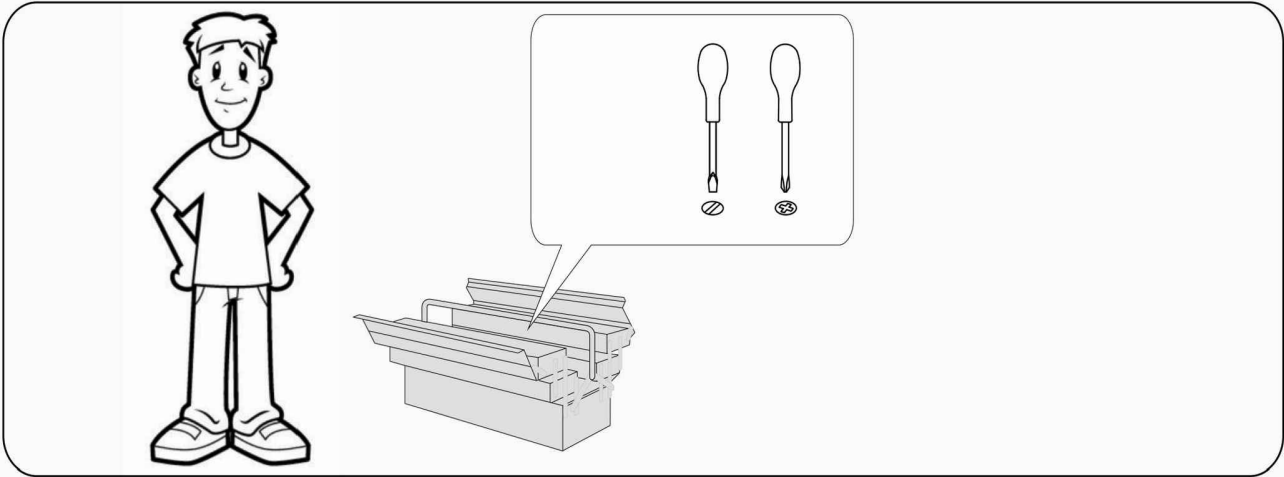
Tools Required



Before you start...

Please carefully unpack and lay out all of the component parts to ensure nothing is missing and to check each component for any obvious damage.

Should you identify any concerns at this stage please contact the retailer from whom this product was purchased. Please quote your order number, details of your issue, the product code, and the batch number from the cartons which will help to resolve your issue as quickly as possible.



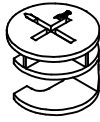
Please check all hardware matches the list below. Should you notice any are missing please contact your retailer.

A



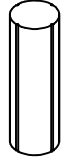
Cam Stud
19PCS

B



Cam
19PCS

C



M8 x 25mm
34PCS

D



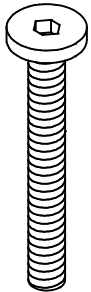
Shelf Support
4PCS

E



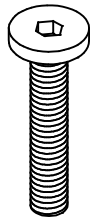
M6 Round Nut
12PCS

F



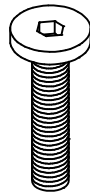
M6 x 50mm
14PCS

G



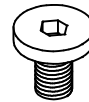
M6 x 35mm
10PCS

H



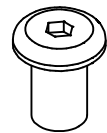
M6 x 30mm
30PCS

J



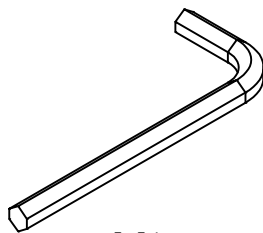
M6 x 12mm
4PCS

K



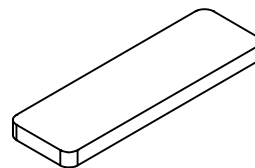
M6
8PCS

L



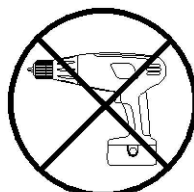
M4
2PCS

M

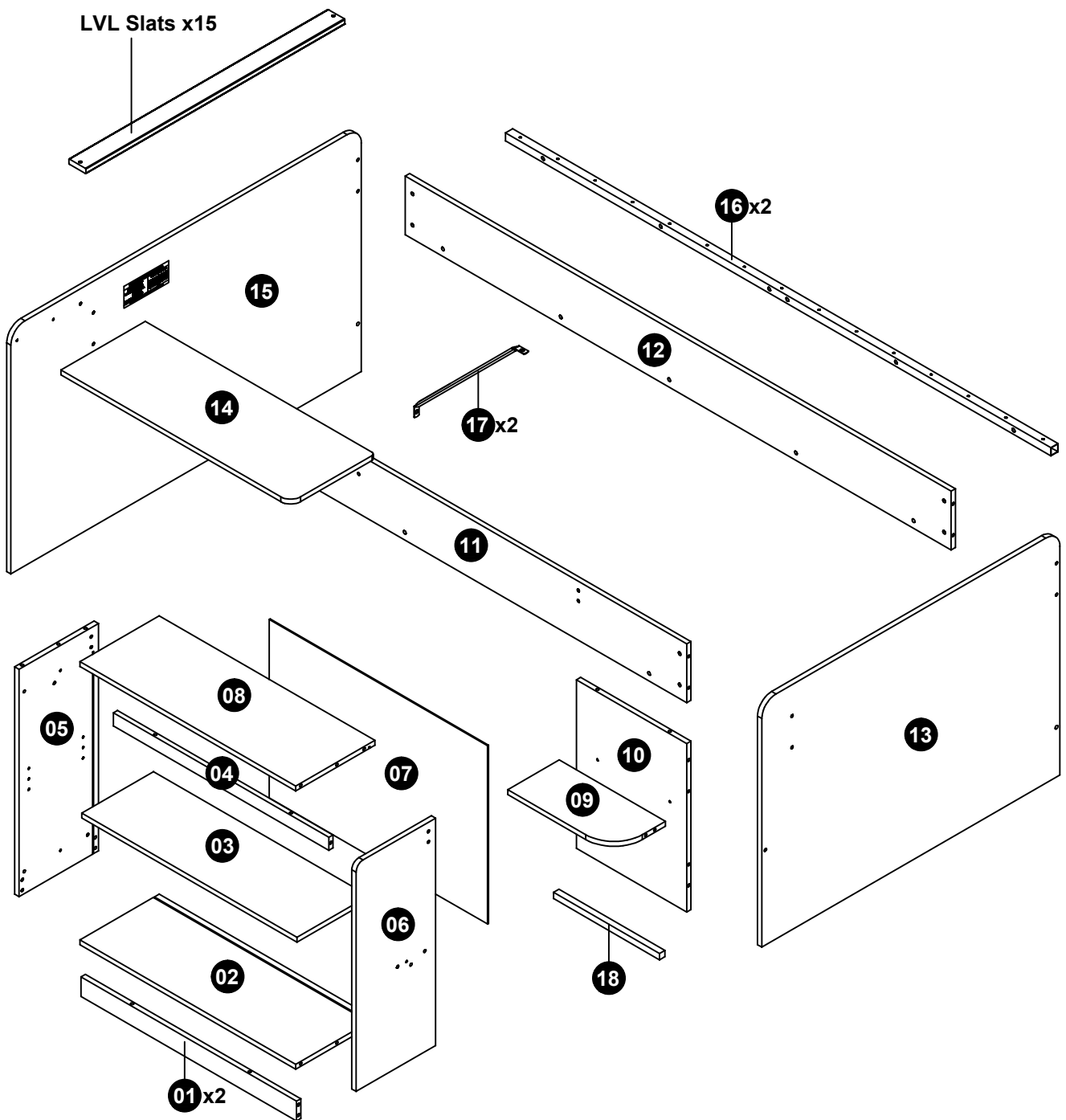


Felt Pads
12PCS

We strongly advise that you do not use Power Tools, such as drills or electric screwdrivers during the assembly as this may cause irreparable damage and will invalidate your warranty.



PARTS



Please ensure you carefully check all the pieces, should you have any concerns please contact the retailer before assembly commences.

Please have your order number, details of the issue, the product code, and the batch number from the cartons as this will help us to resolve your issue much faster.

IMPORTANT INFORMATION

WARNING: This bed is not suitable for children under 4 years.

WARNING: Do not place this child's bed near heat sources, windows and other furniture.

WARNING: Do not use this Child's Bed if any part is broken, torn or missing.

It is recommended that you always follow the manufacturer's instructions to assemble this product.

This product is intended for use by children over 4 years of age.

Children are likely to play, bounce, jump and climb on beds, therefore the child's bed should not be placed too close to other furniture or windows, blind cords, curtain pulls or other strings or cords and should be placed either tight to the wall or have a gap of 300mm between the wall and side of bed.

This bed may be dismantled for storage or transportation but checks must be made to ensure parts are not damaged before re-assembling. Replacement parts can be obtained from Julian Bowen Limited where available and at an additional cost.

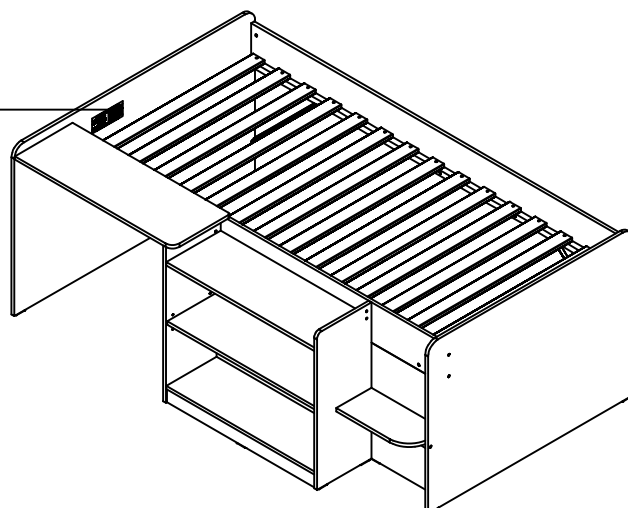
Recommended Mattress Size: 90cm x 190cm (UK Single) with a depth of no more than 23cm.

It is necessary to frequently ventilate the room in order to keep the humidity low and to prevent mould in and around the bed.

Please periodically check all the fixings of the item and re-tighten when necessary.

This item conforms to British Safety Standards – BS8509:2008 + A1:2011

THIS LABEL IS NOT TO BE REMOVED	
Neptune Midsleeper Product Code - NEP 001 Distributed by : Julian Bowen Limited Bentnick House, Park Lane Business Park, Kirkby-in-Ashfield, Notts, NG17 9LE Factory ID: Manufactured in Malaysia Date of Manufacture: January 2020	CERTIFICATION LABEL This bunk bed model has been tested by an independent laboratory and is in compliance with EN 747-1:2012 + A1:2015 - Standard Consumer Safety Specification For Bunk Beds & High Beds
WARNING: This upper bed is not suitable for children under six years	



Safety Advice

Please take the time to carefully read through the whole of these instructions before you commence.

Keep these instructions for future reference.

Unpack, inspect and check off all of the contents.

Please dispose of all packaging safely.

Small component parts could choke a child if swallowed.

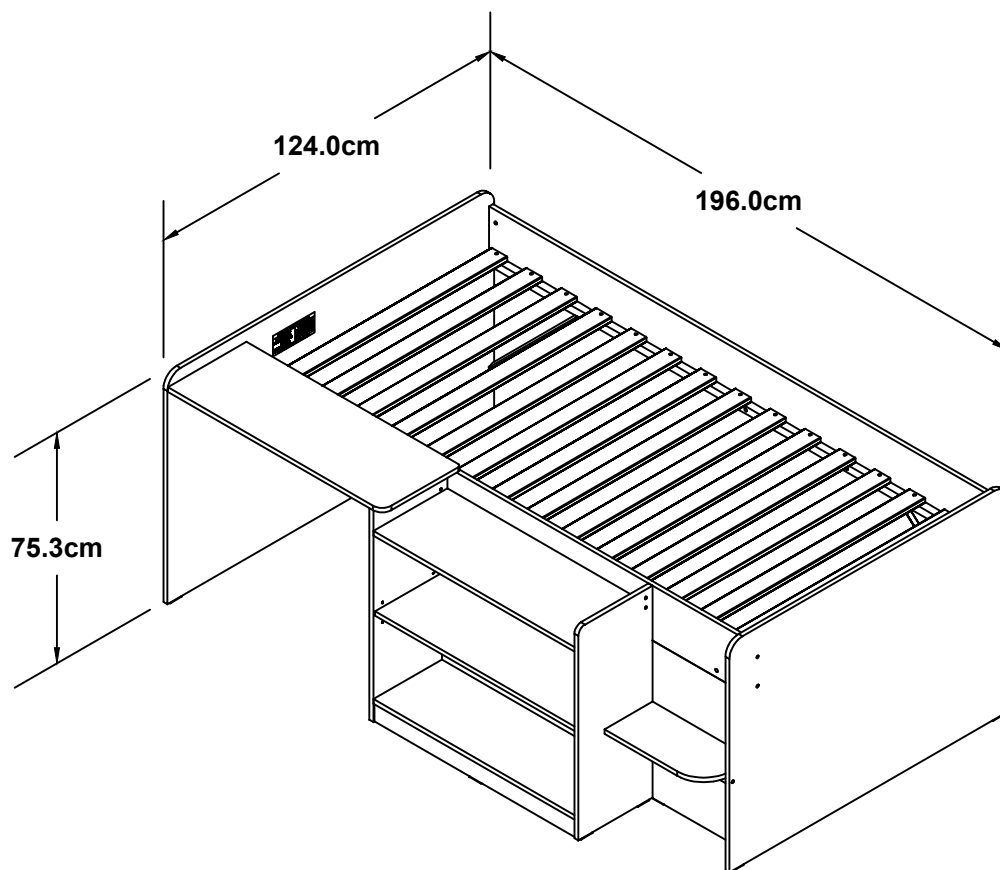
We strongly recommend that you keep children well away from the work area.

It would be sensible to lay a sheet or blanket on the floor where you intend to work to avoid scratching this product and to protect your floor.

This product is heavy. Take extreme care when lifting to avoid personal injury or damage to the product.

Assemble the product as close to its intended final position in the room as possible.

HANDY HINT: If you keep the hardware in a bowl during assembly you will be less likely to lose them.



ASSEMBLY ADVICE

Please take the time to carefully read through these instructions before you commence.

Keep these instructions for future reference.

We advise that the product is assembled in the room it is intended for.

We advise that you keep the hardware in a bowl during assembly to avoid losing anything.

We strongly recommend that you keep children away from the work area.

Small component parts could choke a child if swallowed.

We recommend you use a sheet or blanket to protect both floor and product through the assembly stages.

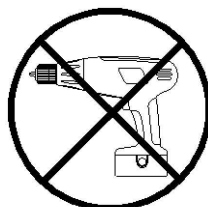
This product is heavy, and we recommend a 2 person lift to avoid personal injury or damage to the product.

Never push or pull the product as this could cause both personal injury or irreparable damage to product or floor.

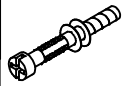
We have tried to make this piece of furniture easy to assemble if the instructions are followed carefully.

In the unlikely event that you have problems with assembling the product or have missing or damaged parts, please contact your retailer and we will assist them in rectifying the problem as quickly as possible.

Please remember we strongly urge you DO NOT use power tools such as drill or electric screwdrivers as this could cause irreparable damage to your product and will invalidate your warranty.



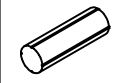
1



A x 7



B x 9



C x 29

01 x 2

02

04

06

05

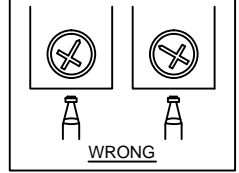
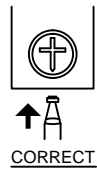
09

08

10

WHEN FITTING CAMS

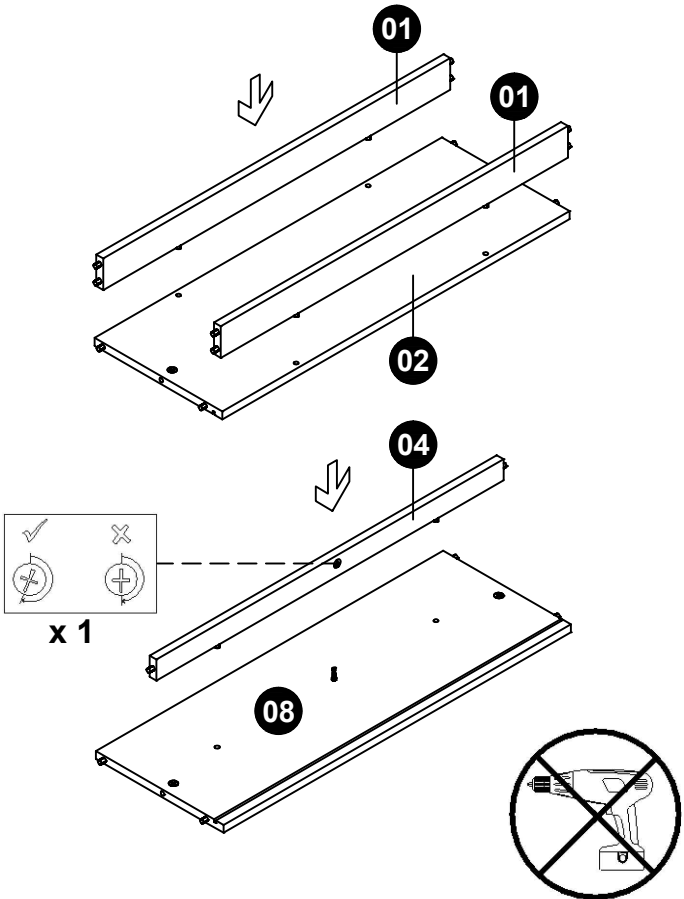
ENSURE STARTING POSITION IS CORRECT
BEFORE YOU INSERT CONNECTING BOLT
TURN CLOCKWISE UNTIL SECURE



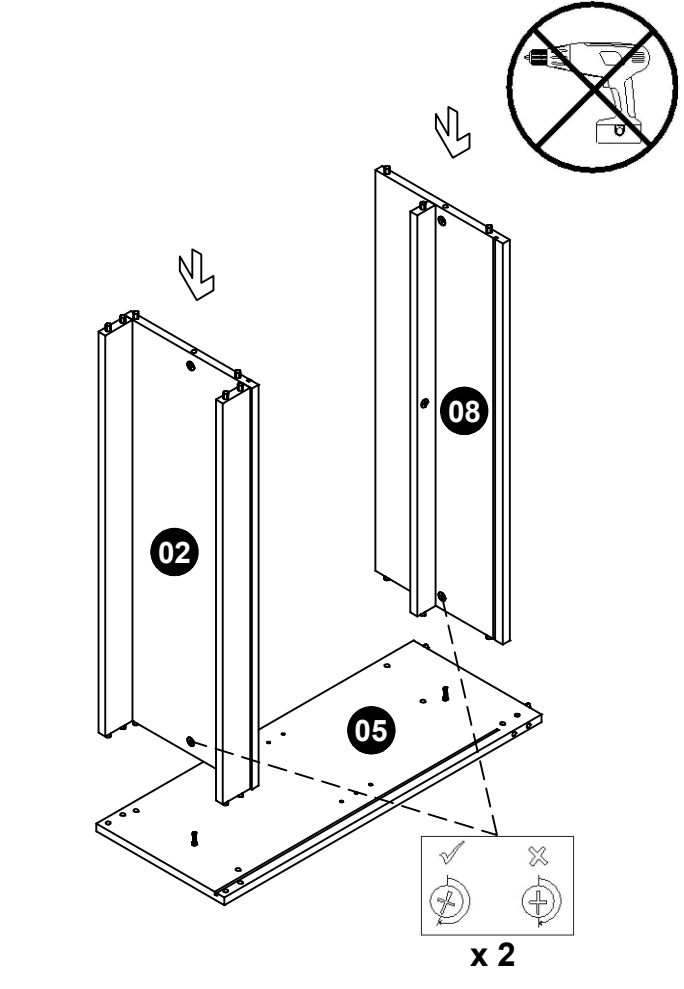
D

A

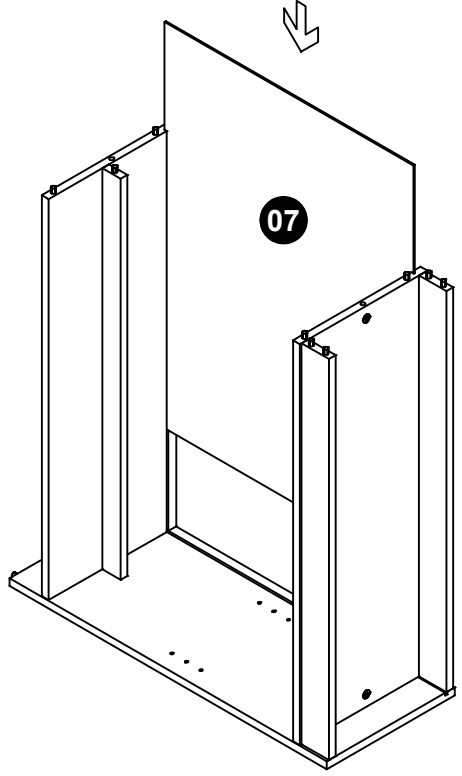
2



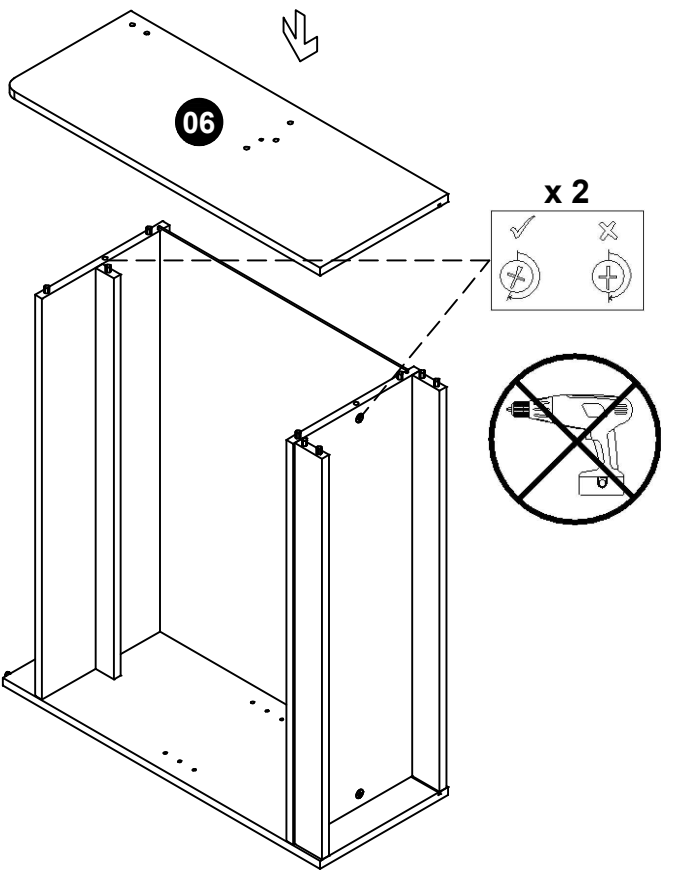
3



4



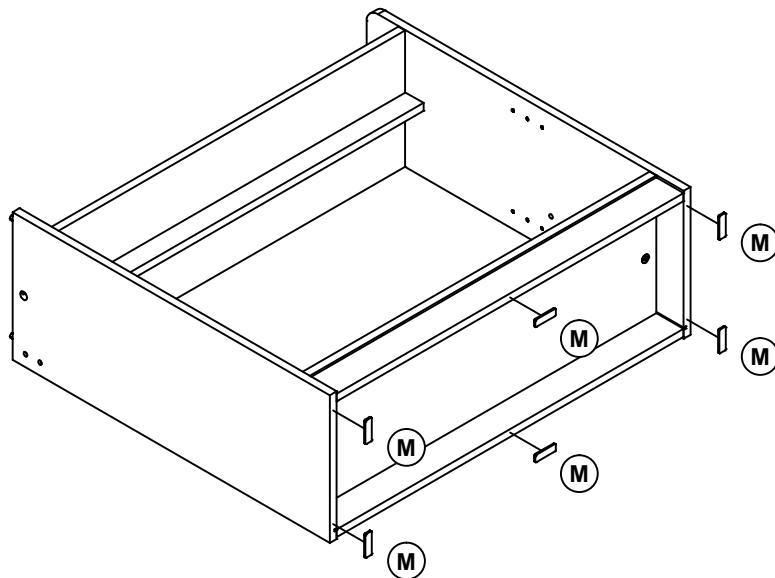
5



6



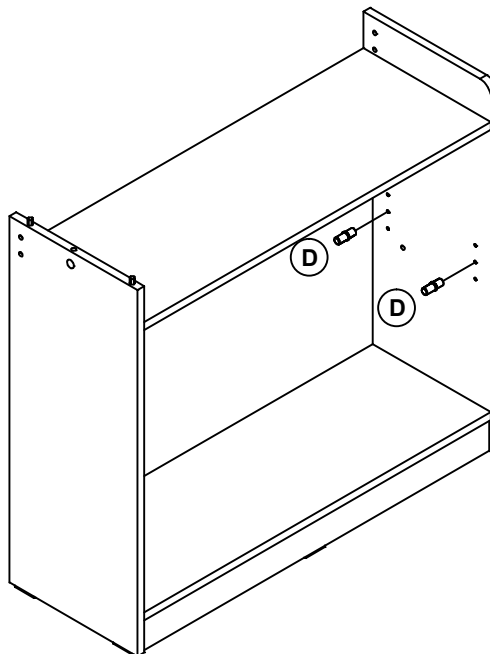
M x 6



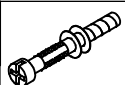
7



D x 2



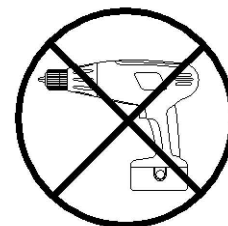
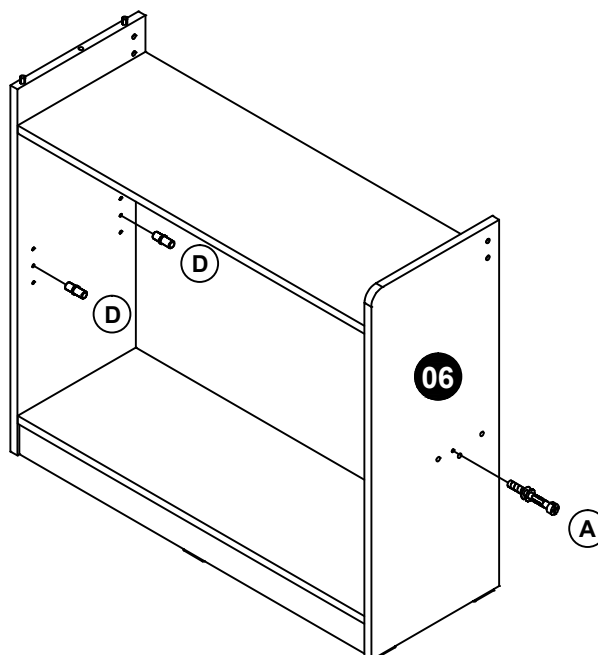
8



A x 1



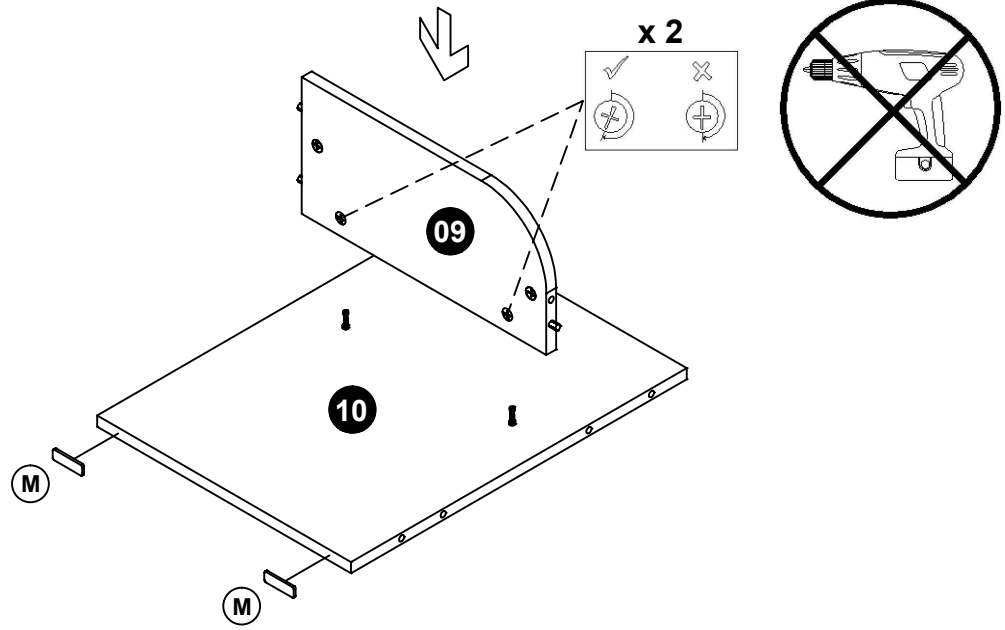
D x 2



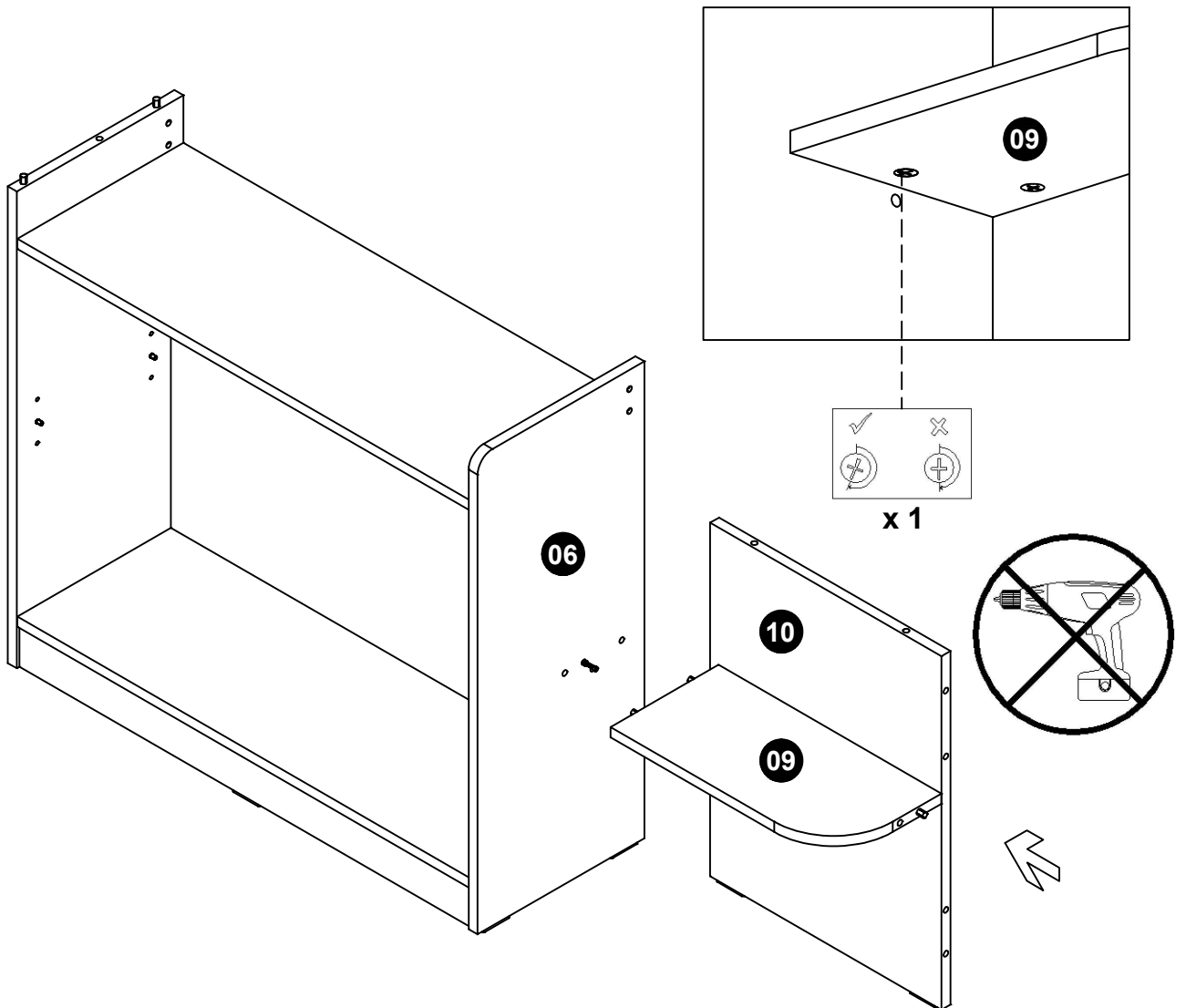
9



M x 2



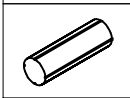
10



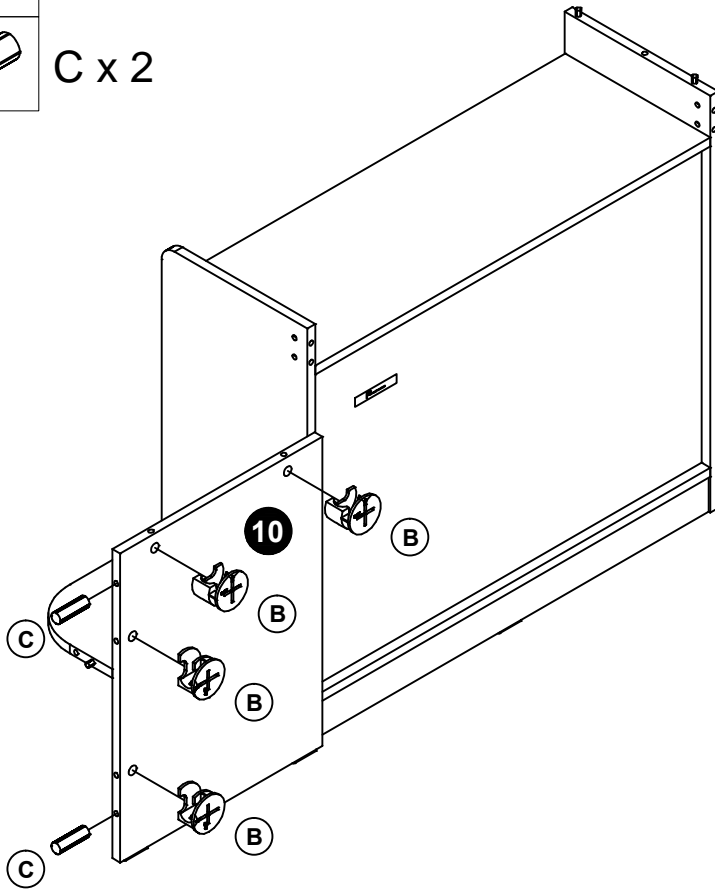
11



B x 4

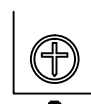


C x 2

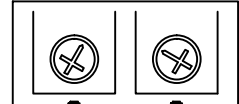


WHEN FITTING CAMS

ENSURE STARTING POSITION IS CORRECT
BEFORE YOU INSERT CONNECTING BOLT
TURN CLOCKWISE UNTIL SECURE



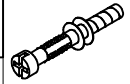
CORRECT



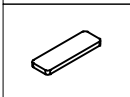
WRONG



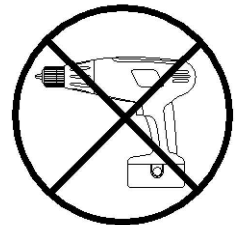
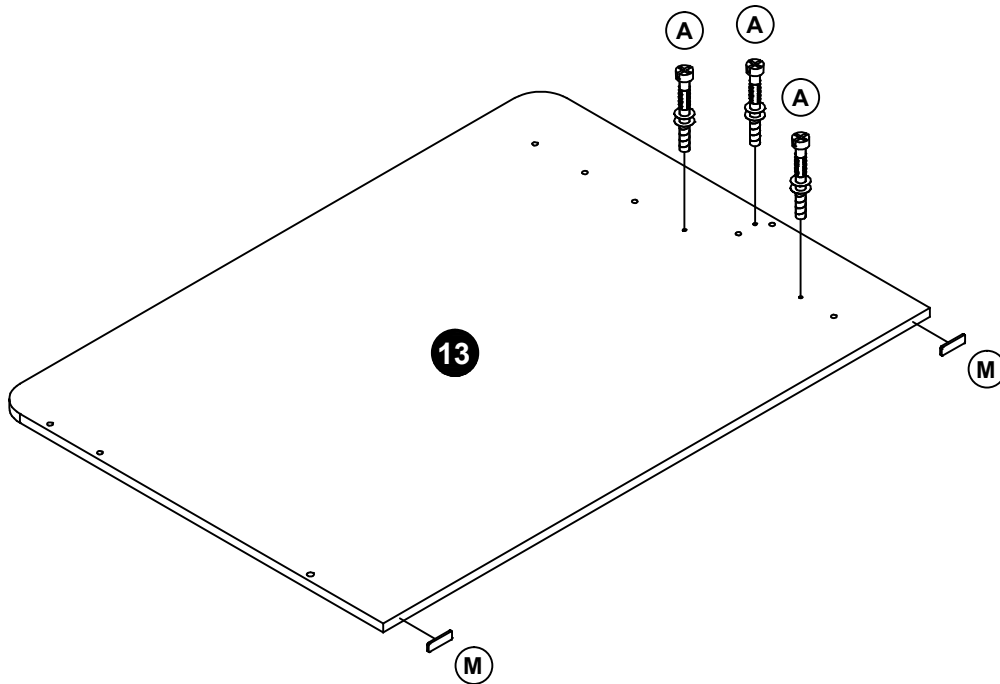
12



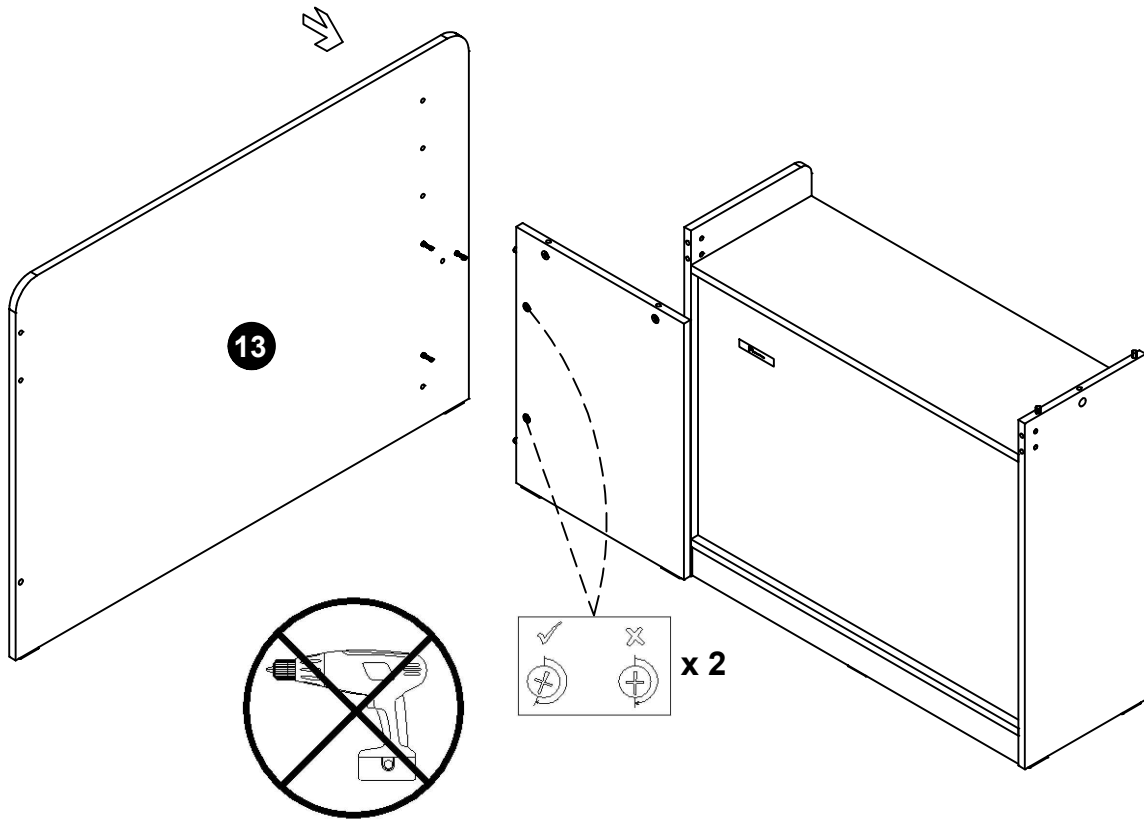
A x 3



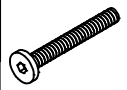
M x 2



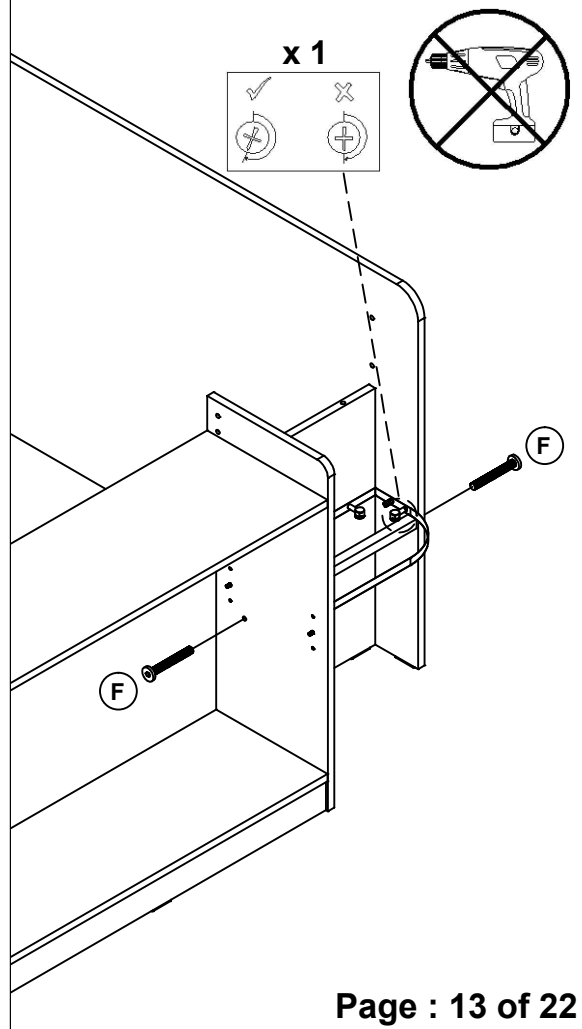
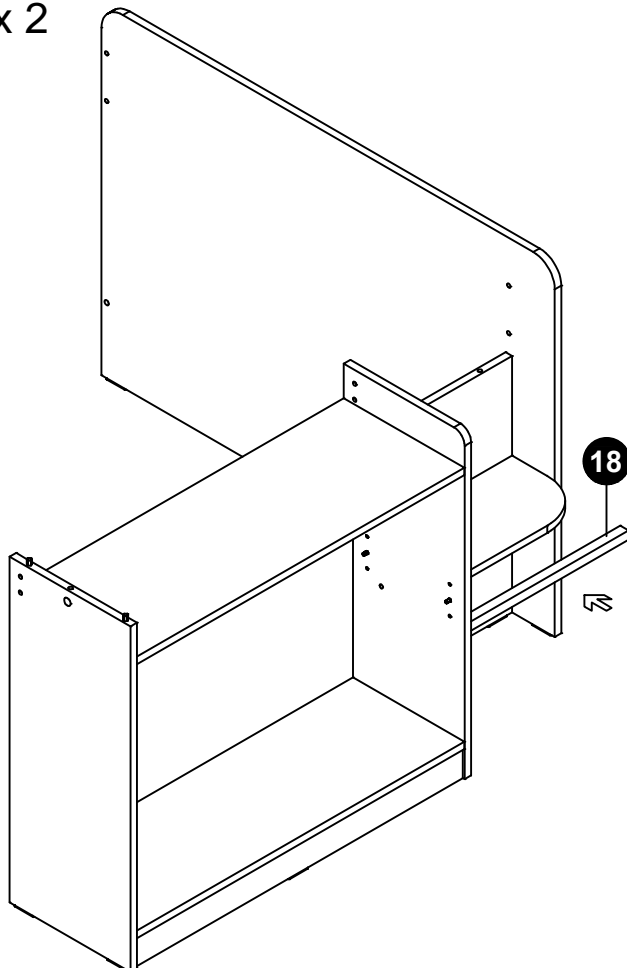
13



14



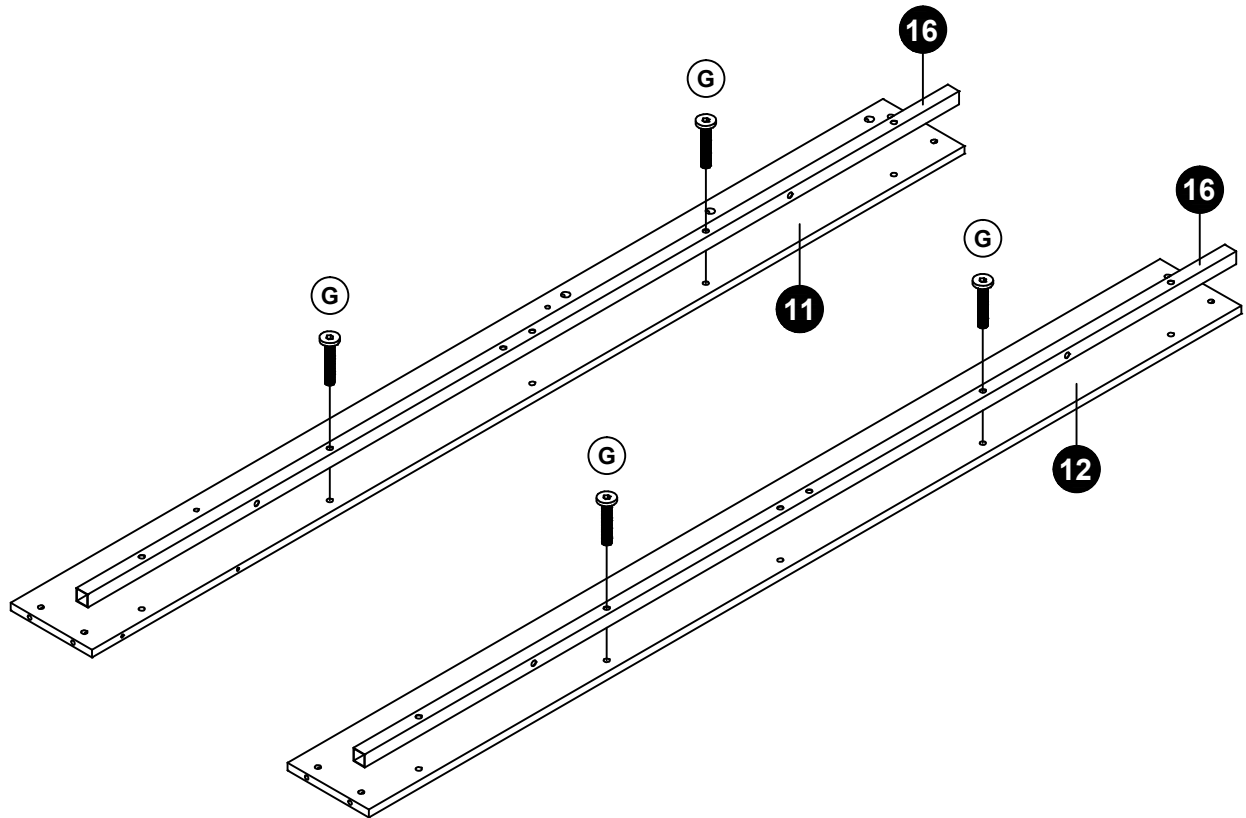
F x 2



15



G x 4



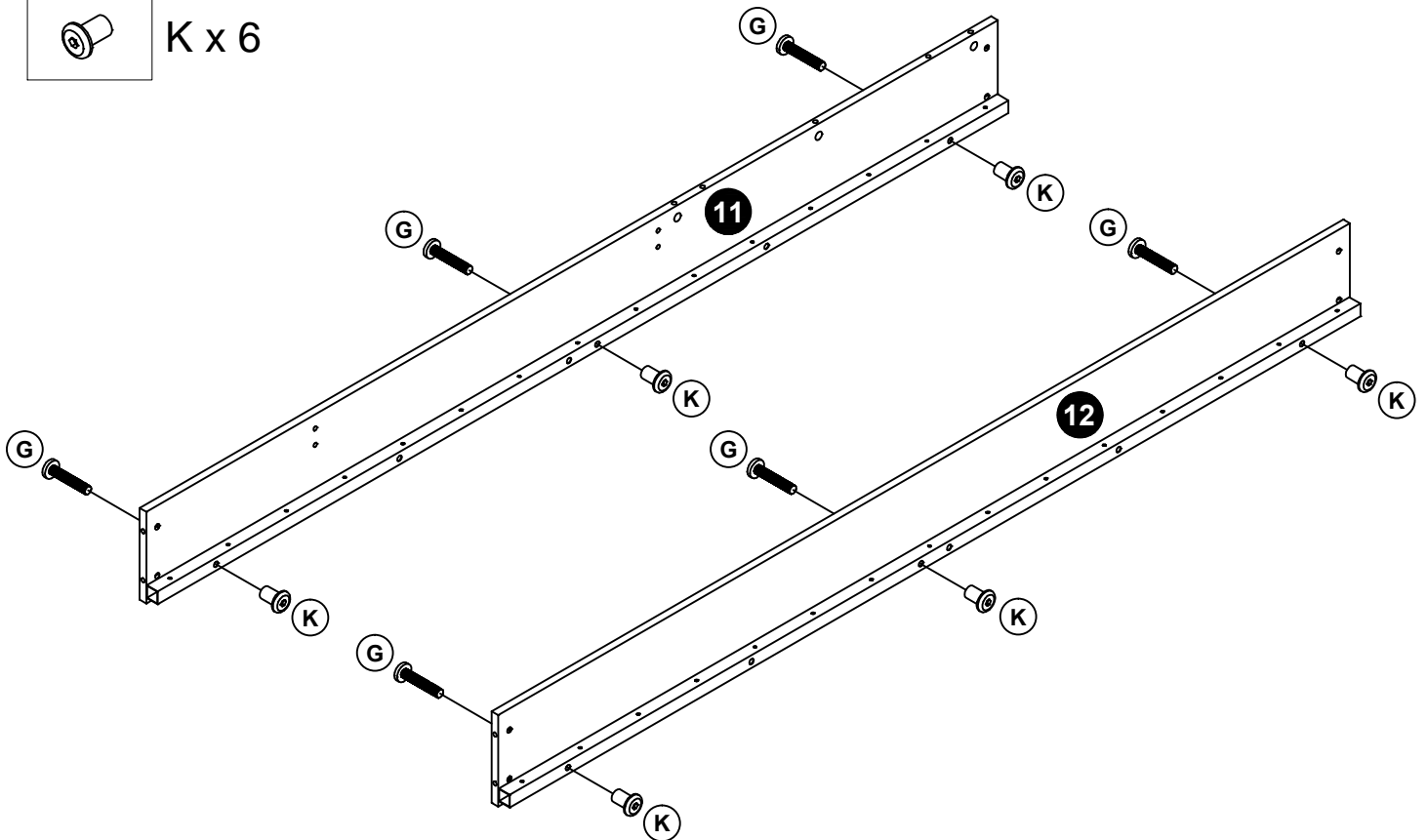
16



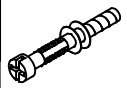
G x 6



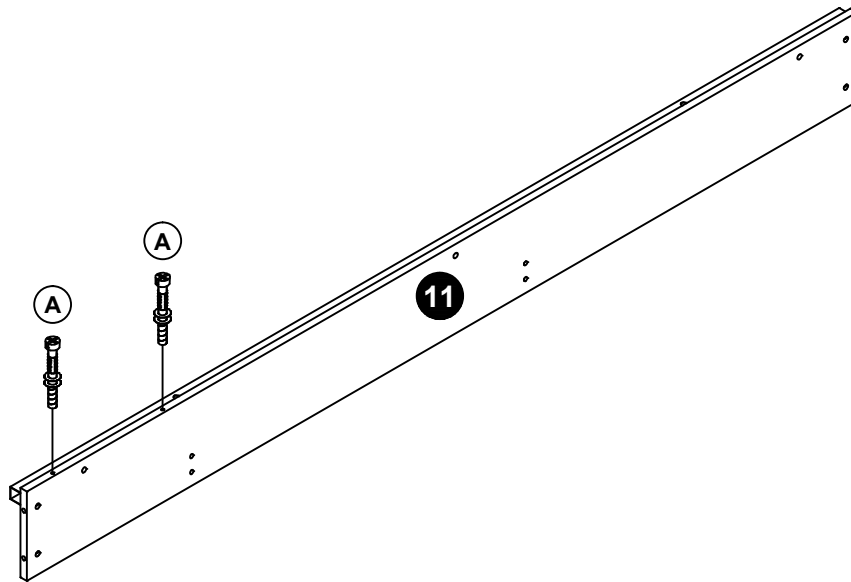
K x 6



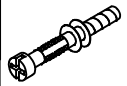
17



A x 2



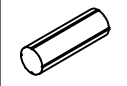
18



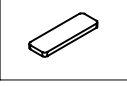
A x 6



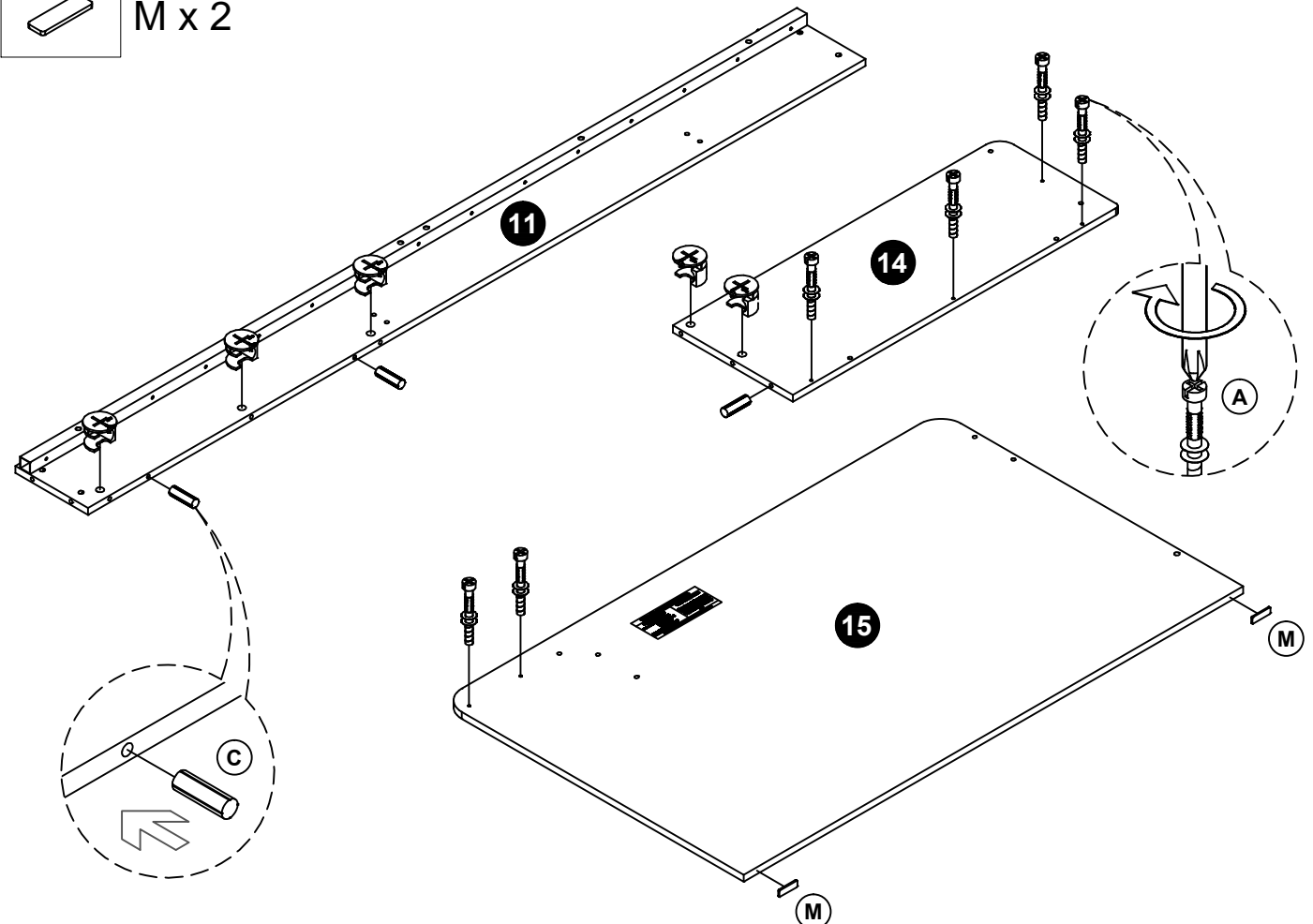
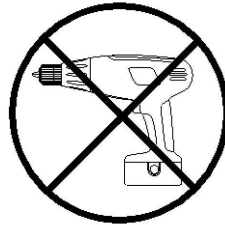
B x 5



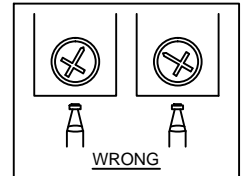
C x 3



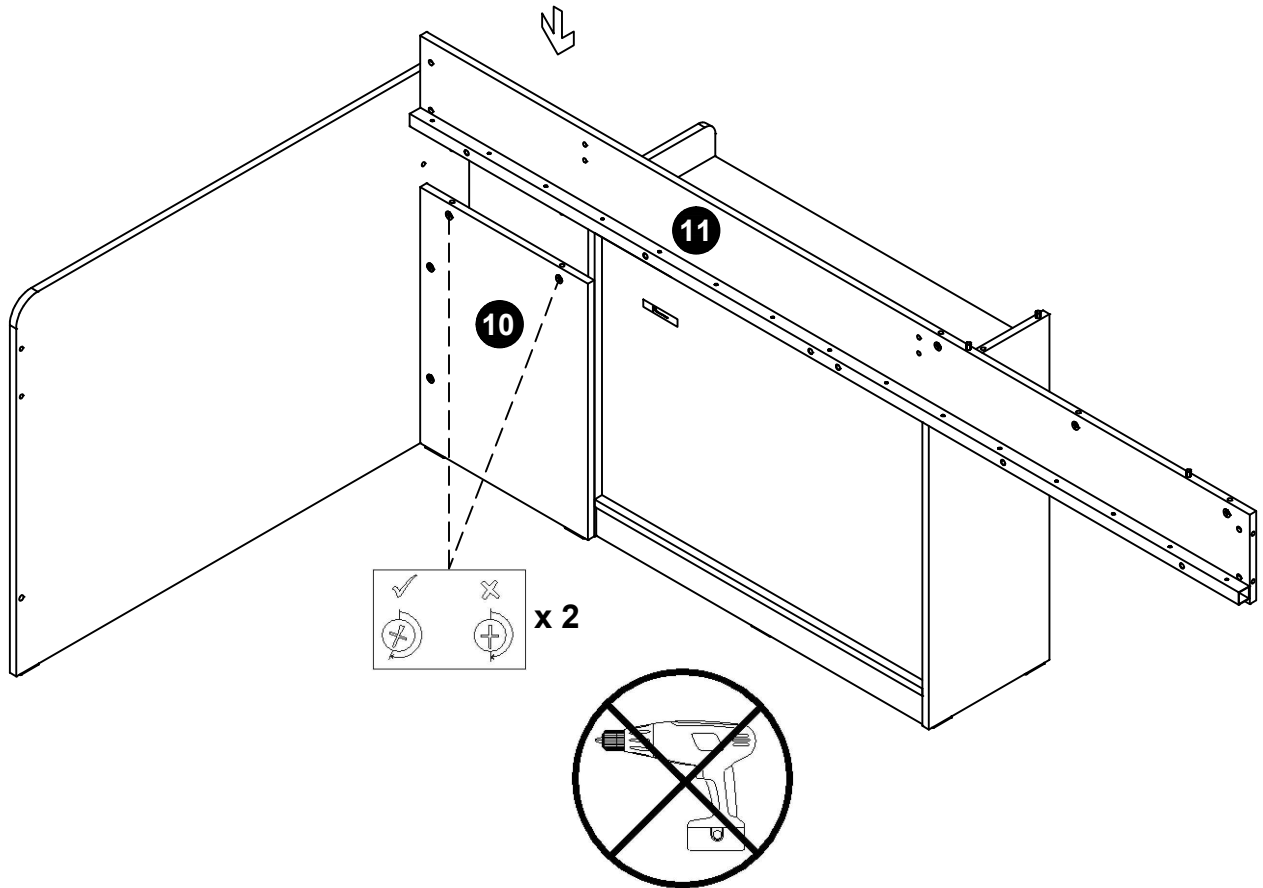
M x 2

**WHEN FITTING CAMS**


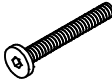
ENSURE STARTING POSITION IS CORRECT
BEFORE YOU INSERT CONNECTING BOLT
TURN CLOCKWISE UNTIL SECURE

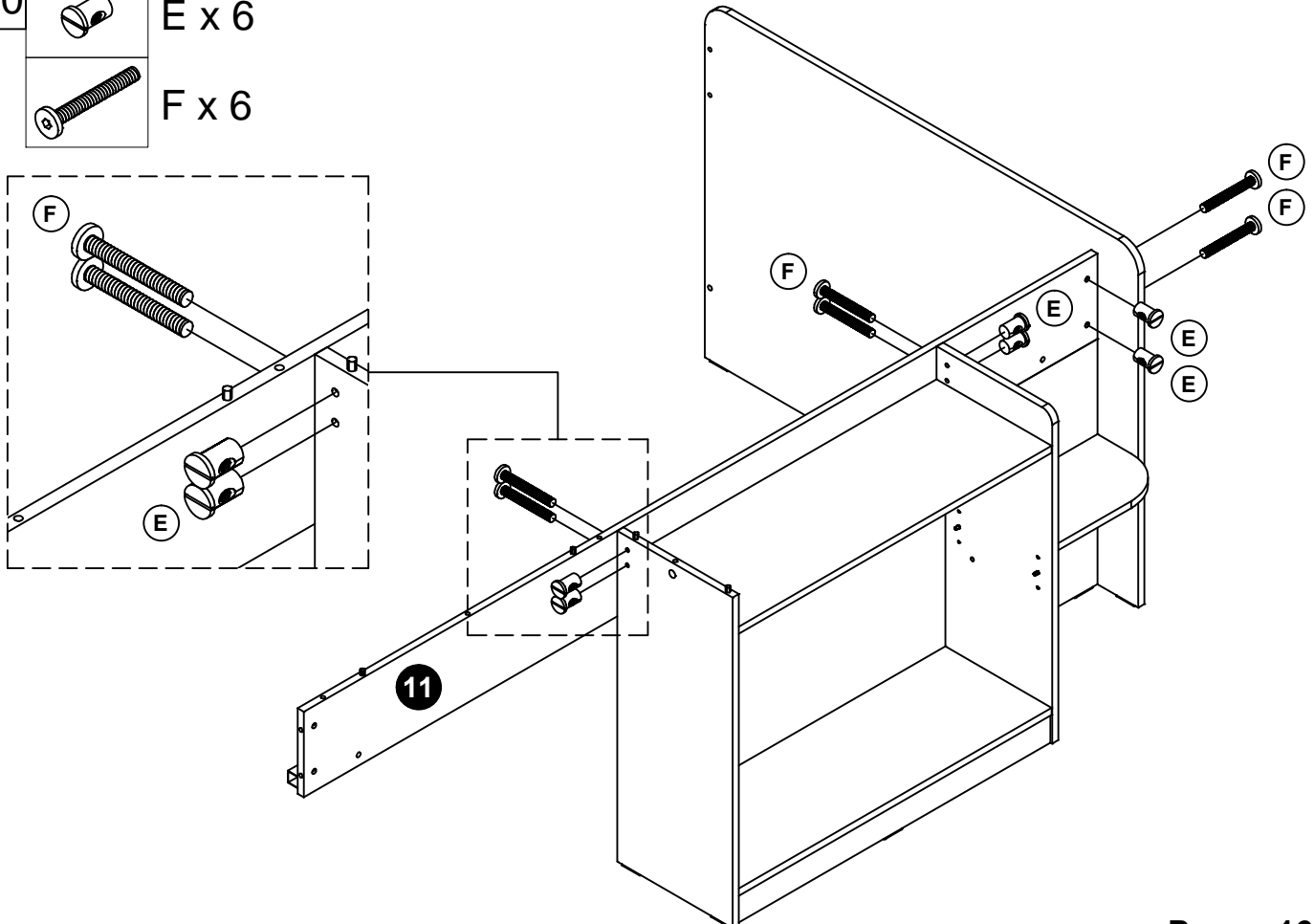


19



20

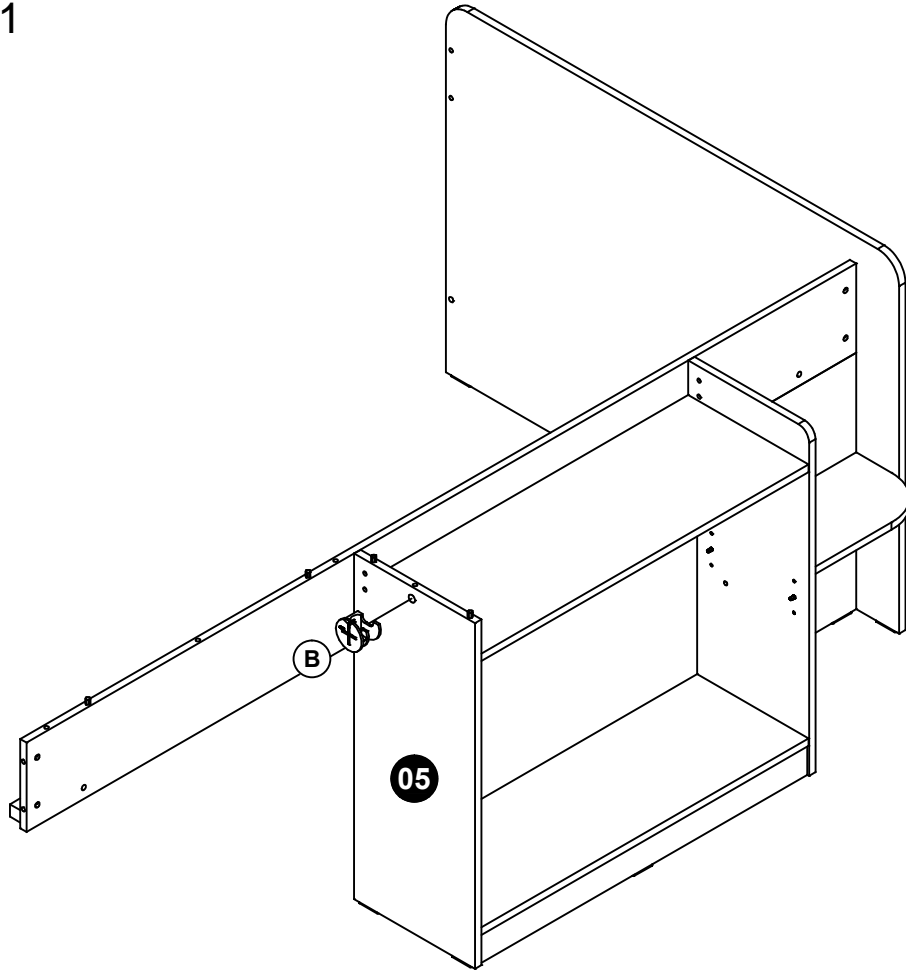
-  E x 6
-  F x 6



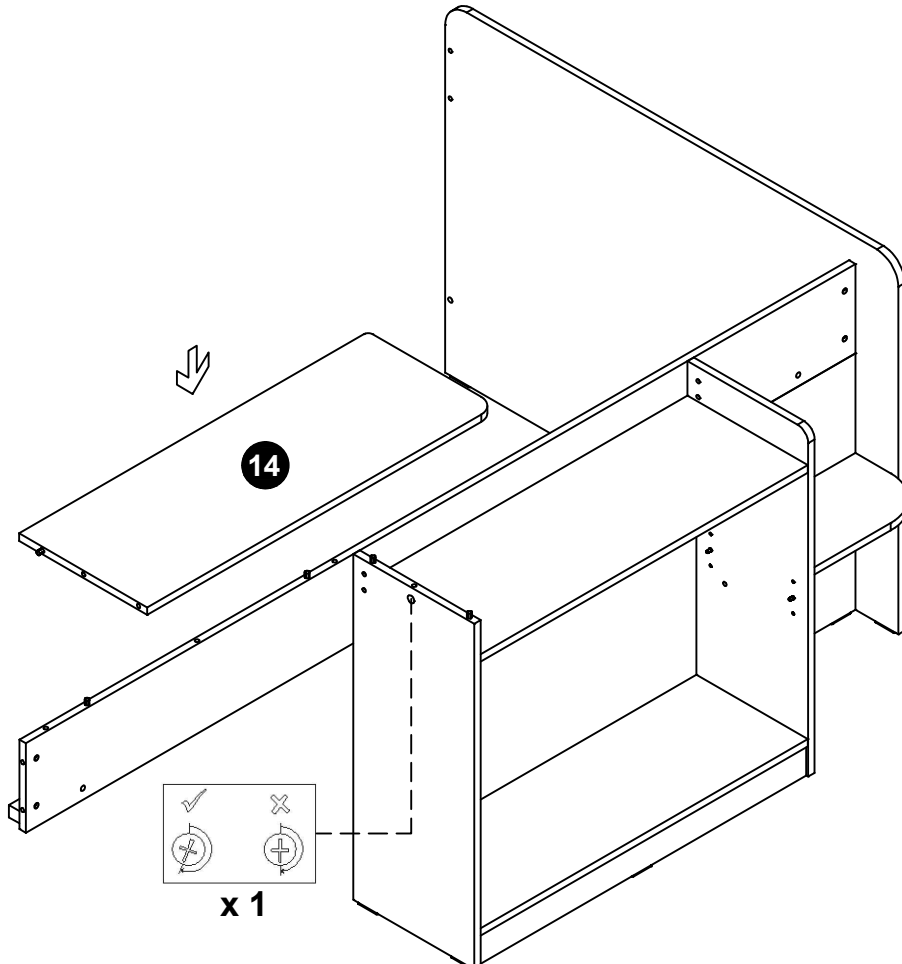
21



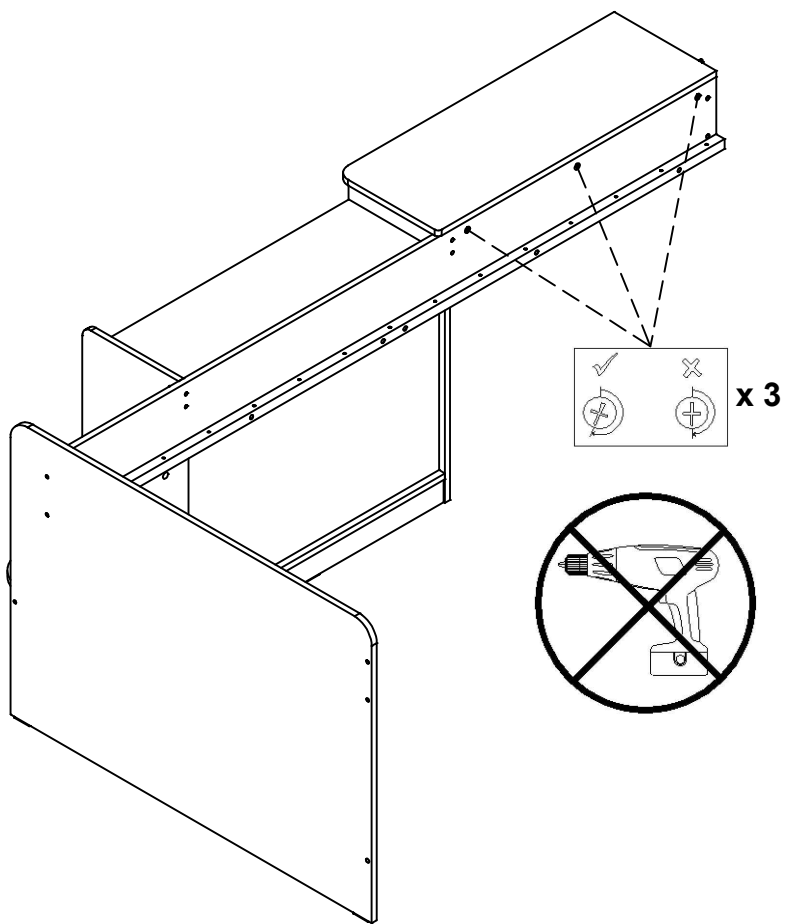
B x 1



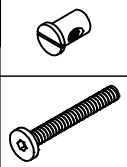
22



23

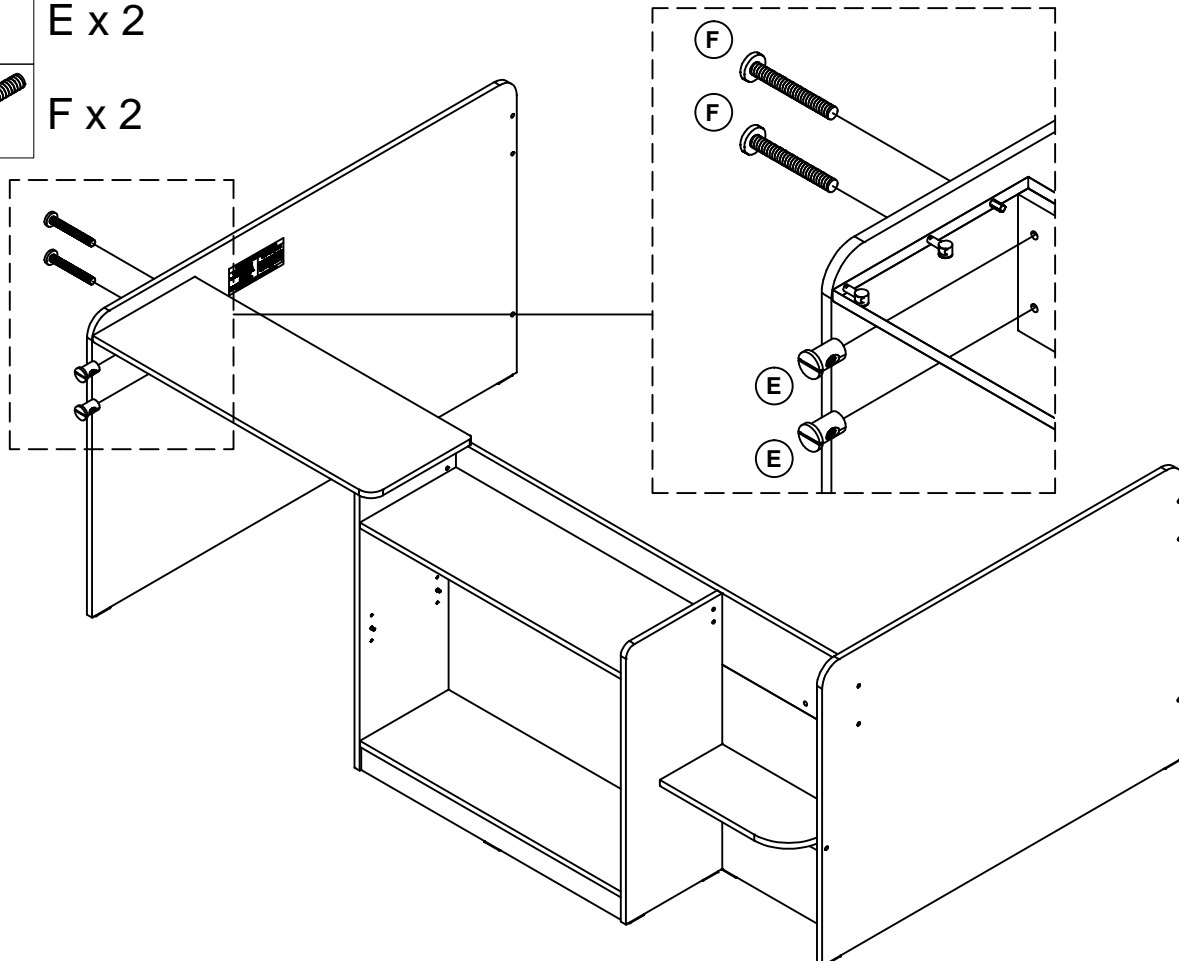


24

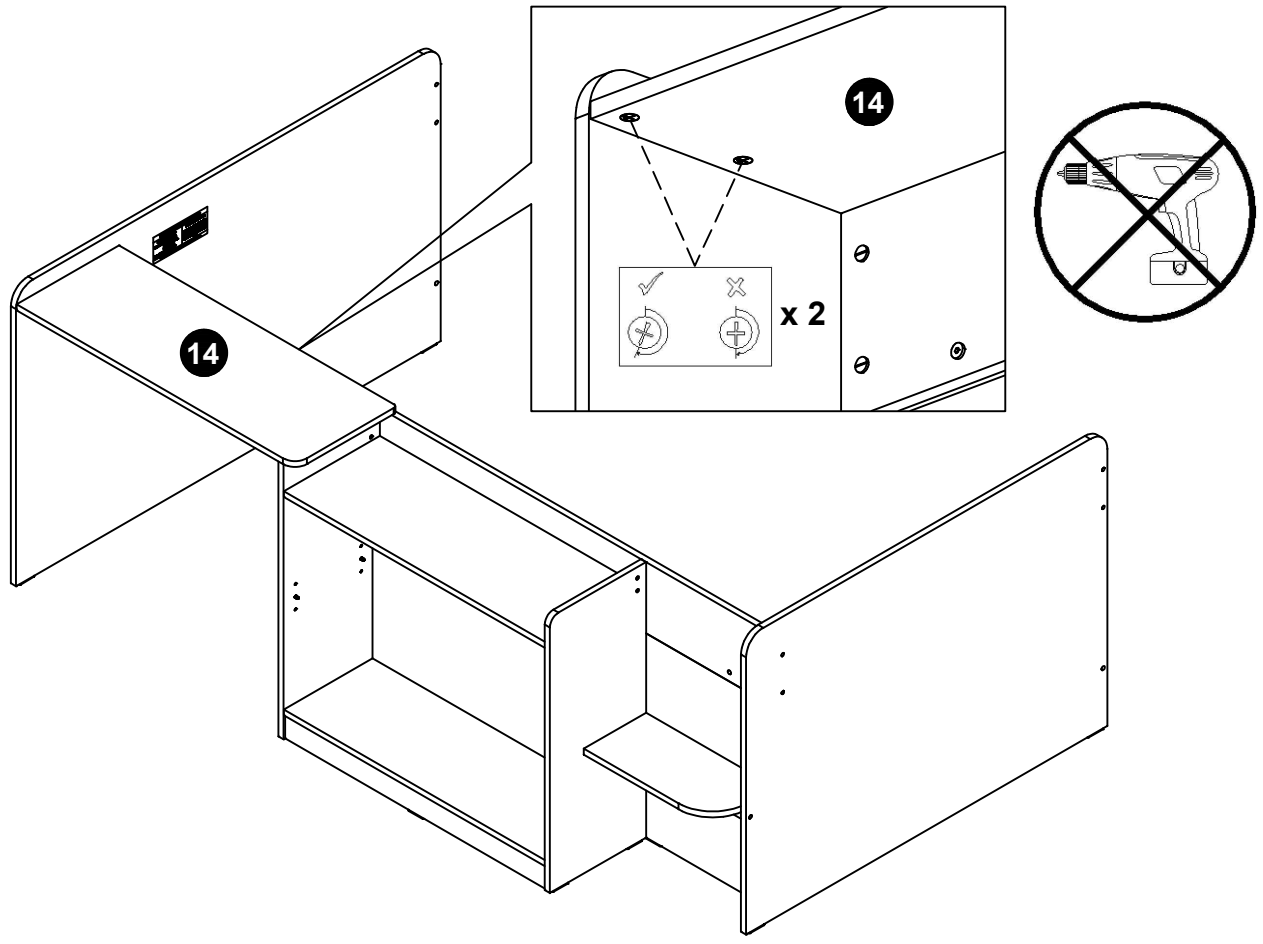


E x 2


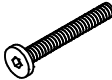
F x 2

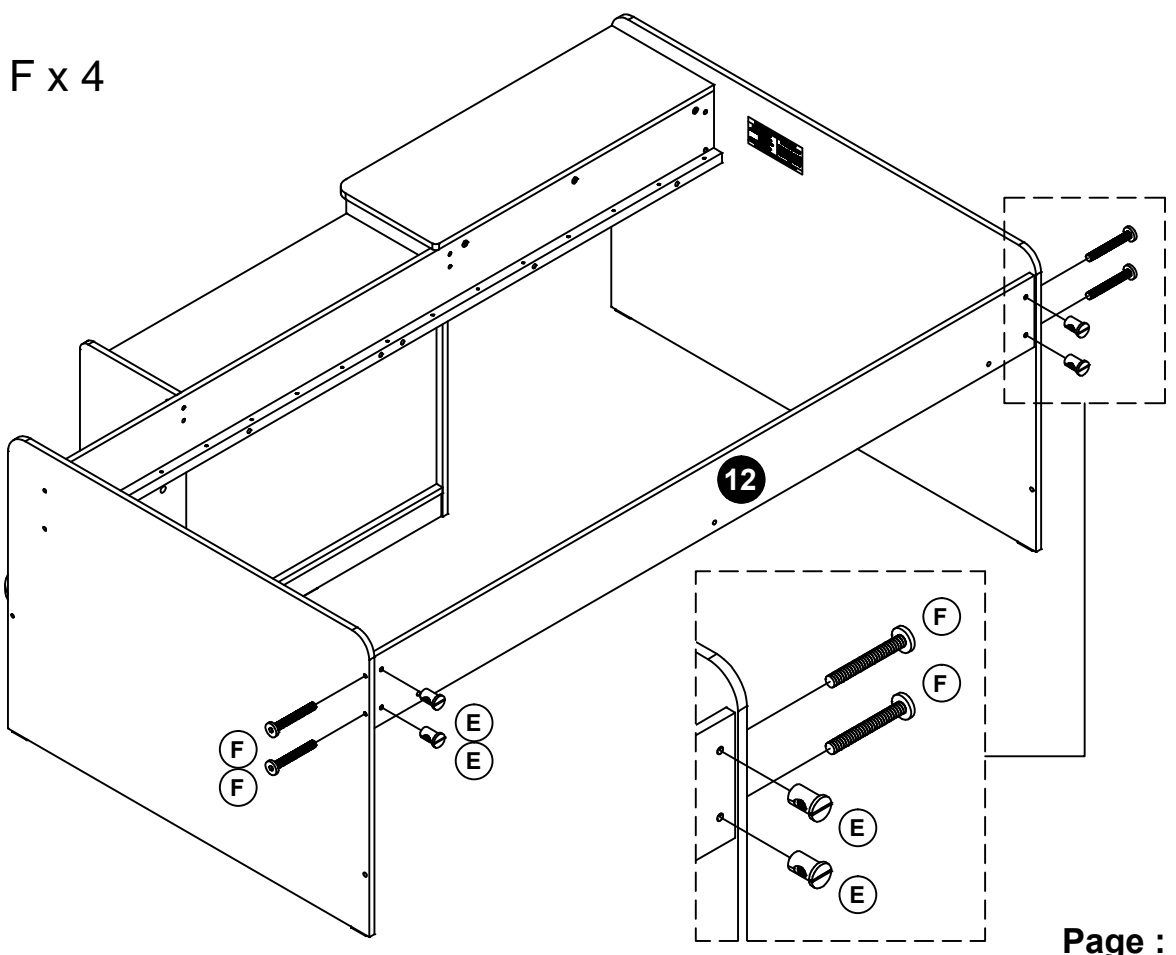


25



26

-  E x 4
-  F x 4



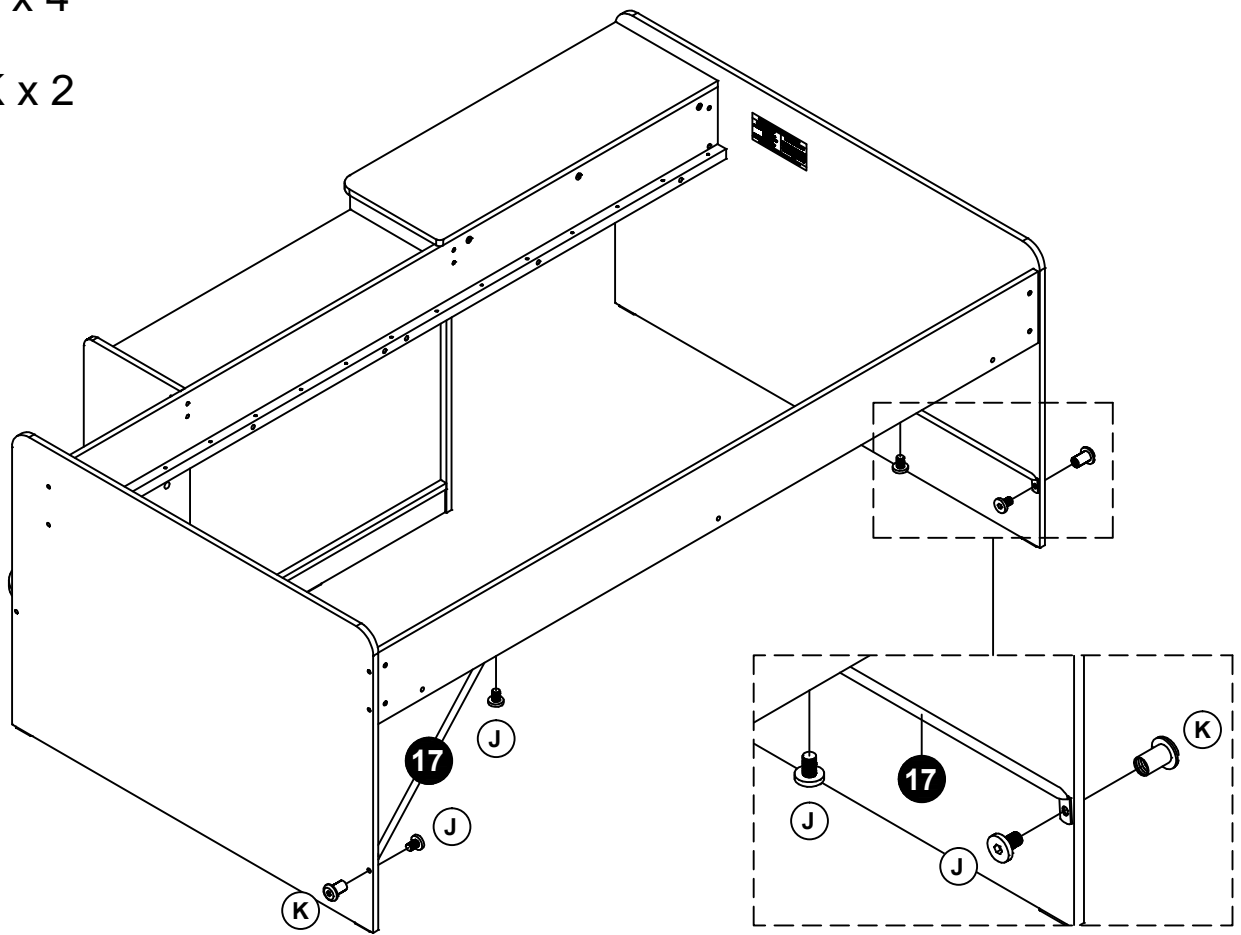
27



J x 4



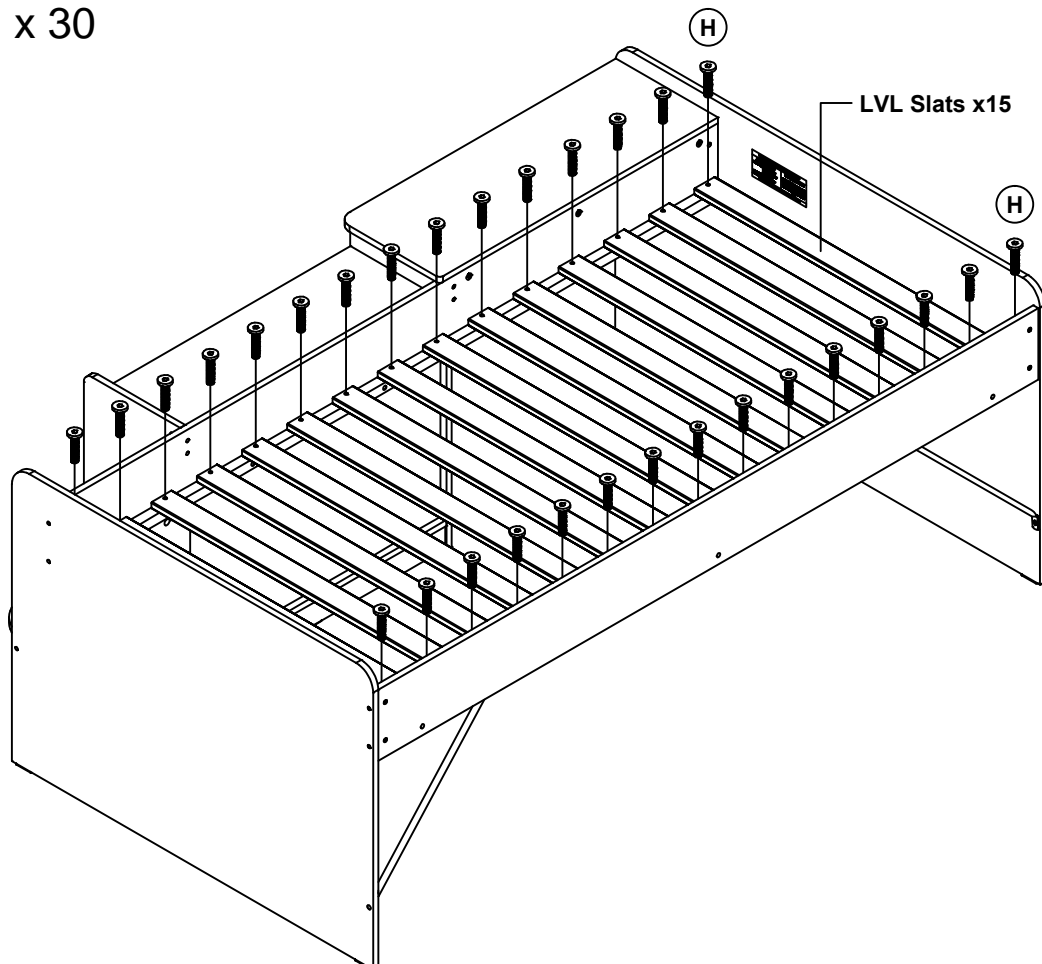
K x 2

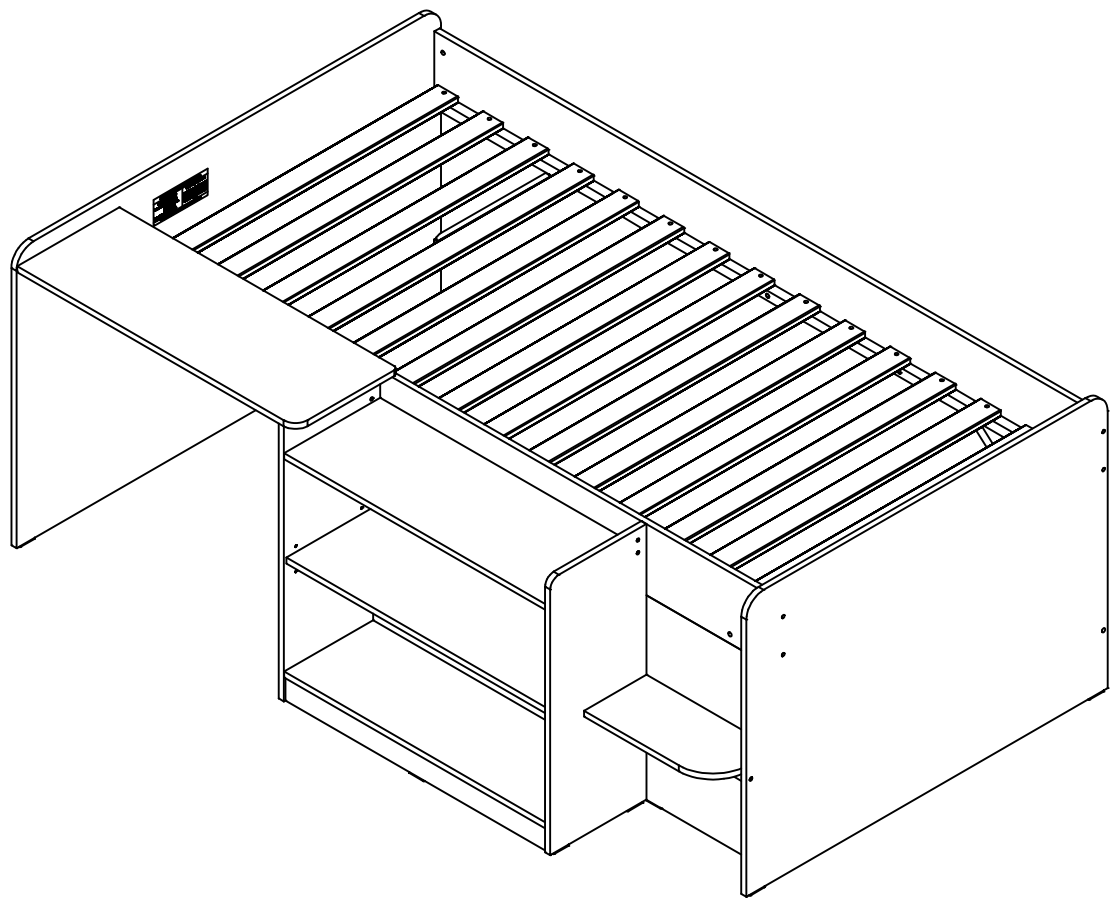
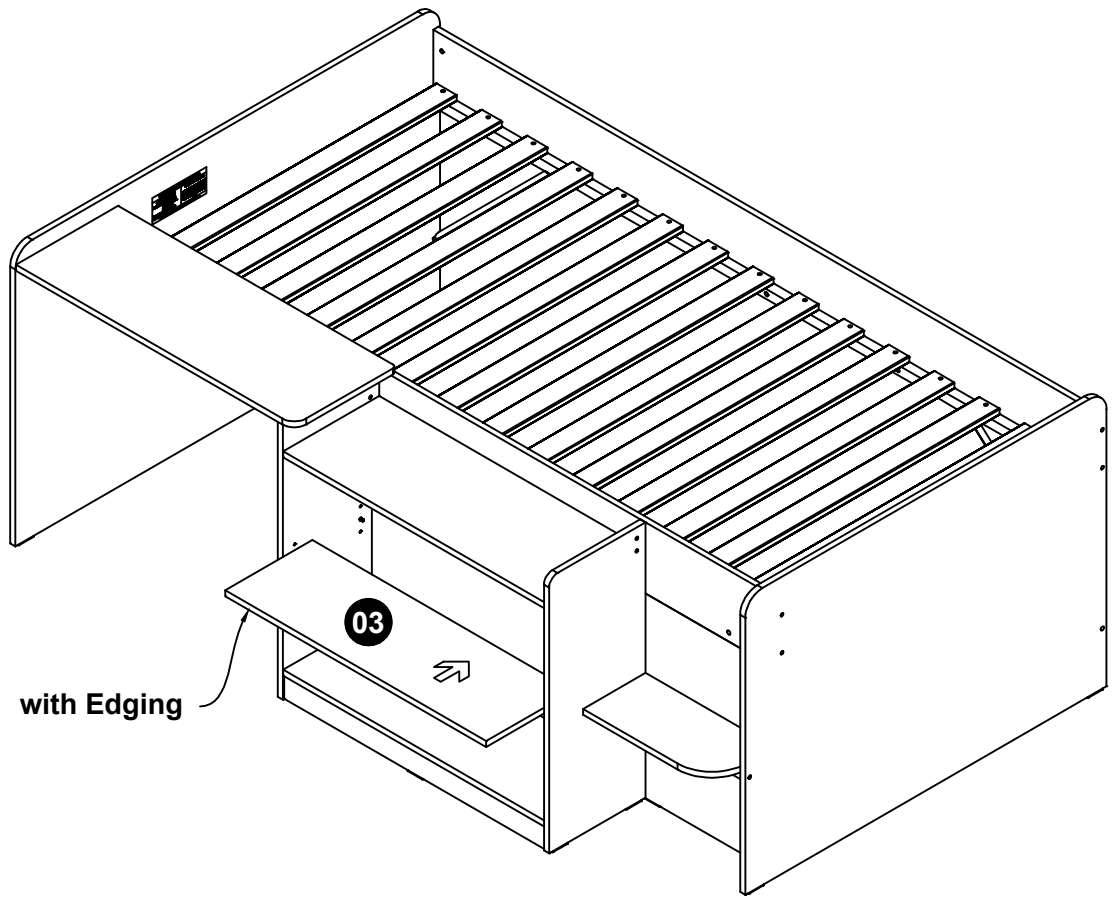


28



H x 30





GENERAL CARE & MAINTENANCE

We advise that when cleaning the product that a damp cloth is used.

Avoid the use of all household cleaners and abrasive.

Never push or drag the furniture.

Never attempt to move the furniture when fully loaded.

We advise that periodically all fixing are re-tightened.