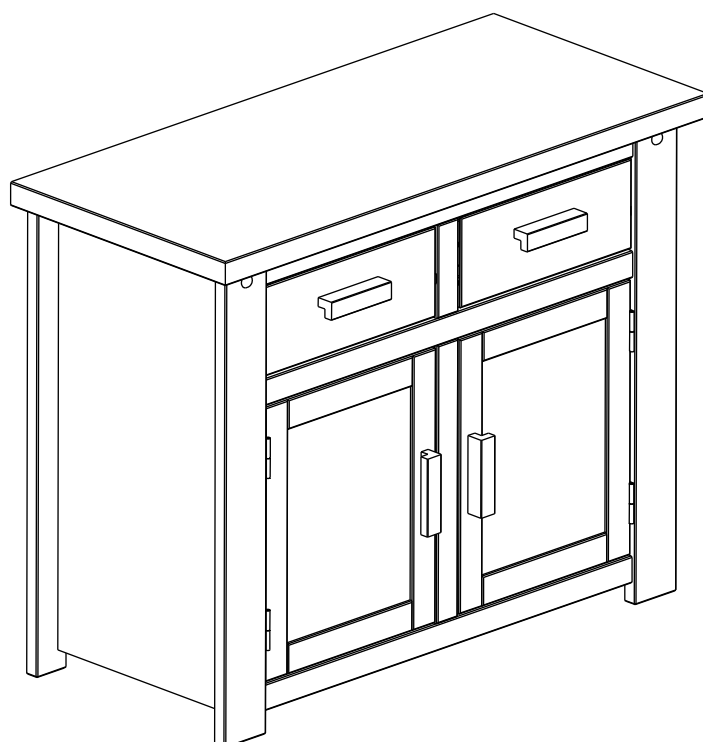
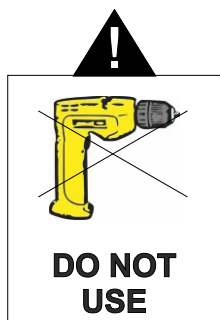


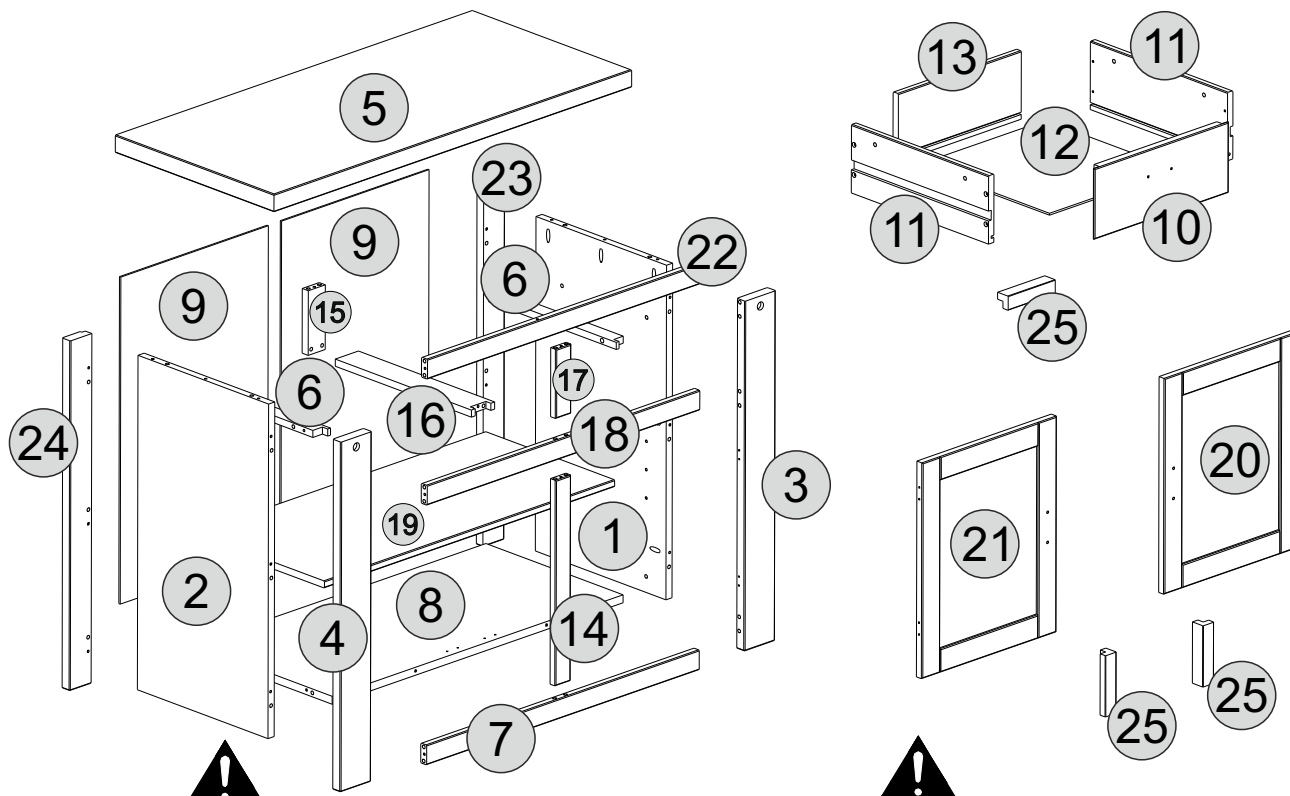
TORTILLA 2 DOOR 2 DRAWER SIDEBOARD ASSEMBLY INSTRUCTIONS



IMPORTANT PLEASE READ BEFORE YOU CONTINUE FURTHER **FOR DOMESTIC USE ONLY** **CARE AND MAINTENANCE**

After unpacking this product please keep the original packaging in case it needs to be returned for any reason.

- Please ensure all fittings and parts are present before commencing with assembly.
- We recommend that you lay a blanket or sheet on the floor to avoid damage to both your floor and the product.
- We strongly recommend that you keep children away from your work area.
- Assemble this product as close to its final position as possible.
- Never drag or push products as this could cause damage to the joints making it inferior.
- Do not place this product next to a radiator or in direct sunlight.
- Wood is a natural product and may expand if subjected to damp and may shrink or crack if subjected to heat. Therefore it is recommended that room temperature is maintained, with no sudden temperature fluctuations.
- Make sure any spillage is wiped off immediately.
- Do not place hot or chilled items directly on to the surface, use a place mat or marking will occur.
- For general cleaning use a duster, and do not use detergents of any kind. However, the surface will need to be retreated from time to time. This can be done by using block wax (unperfumed) and rubbing it over the whole item.
- From time to time it may be necessary to tighten fittings, regular inspections should be carried out.






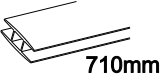
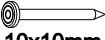
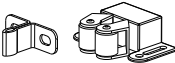
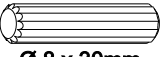
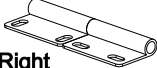

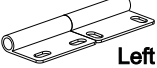
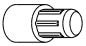
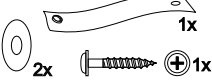
* Use of power tools to assemble this product will invalidate any claim and damage this product making it unsafe !!!
* Please assemble on a clean soft surface to avoid damage.

* Please check contents and read the instructions before commencing assembly.
* Assemble this product following the enclosed instructions carefully.
* Please take care to avoid damaging panels during assembly.

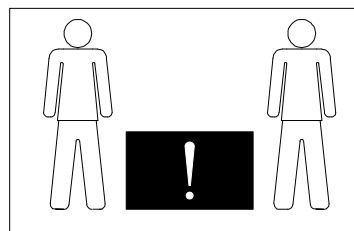
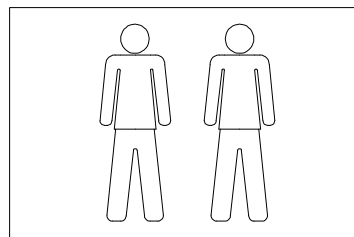
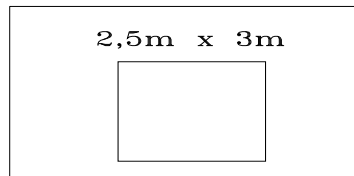
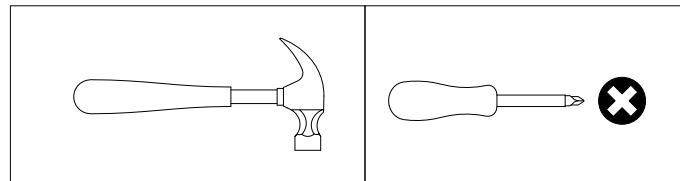
PARTS LIST

Part Number	Part Code	Part Description	Quantity	Carton
1	S400-405-015-MY1-01	Right Side Panel	1	1/1
2	S400-405-015-MY1-02	Left Side Panel	1	1/1
3	S400-405-015-MY1-03	Right Front Upright	1	1/1
4	S400-405-015-MY1-04	Left Front Upright	1	1/1
5	S400-405-015-MY1-05	Top Panel	1	1/1
6	S400-405-015-MY1-06	Drawer Runner	2	1/1
7	S400-405-015-MY1-07	Bottom Front Crossbeam	1	1/1
8	S400-405-015-MY1-08	Base	1	1/1
9	S400-405-015-MY1-09	Back Panel	2	1/1
10	S400-405-015-MY1-10	Drawer Front	2	1/1
11	S400-405-015-MY1-11	Drawer Side	4	1/1
12	S400-405-015-MY1-12	Drawer Bottom	2	1/1
13	S400-405-015-MY1-13	Drawer Back	2	1/1
14	S400-405-015-MY1-14	Centre Front Upright	1	1/1
15	S400-405-015-MY1-15	Back Upright	1	1/1
16	S400-405-015-MY1-16	Centre Drawer Runner	1	1/1
17	S400-405-015-MY1-17	Centre Front Upright	1	1/1
18	S400-405-015-MY1-18	Centre Front Crossbeam	1	1/1
19	S400-405-015-MY1-19	Adjustable Shelf	1	1/1
20	S400-405-015-MY1-20	Right Door	1	1/1
21	S400-405-015-MY1-21	Left Door	1	1/1
22	S400-405-015-MY1-22	Top Front Crossbeam	1	1/1
23	S400-405-015-MY1-23	Right Back Upright	1	1/1
24	S400-405-015-MY1-24	Left Back Upright	1	1/1
25	S400-405-015-MY1-25	Handle	4	1/1

FITTINGS

A	 Ø 3,5 x 35mm	54	G	 Ø 3,0 x 16mm	24
B	 Ø 3,0 x 30mm	16	H	 710mm	01
C	 10x10mm	36	I		02
D	 Ø 8 x 30mm	54	J	 Right	02
E		02	K	 Left	02
F		04	L	 2x 1x 1x	01

TOOLS REQUIRED



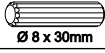
STEP 1

PARTS REQUIRED

1 - RIGHT SIDE PANEL x1

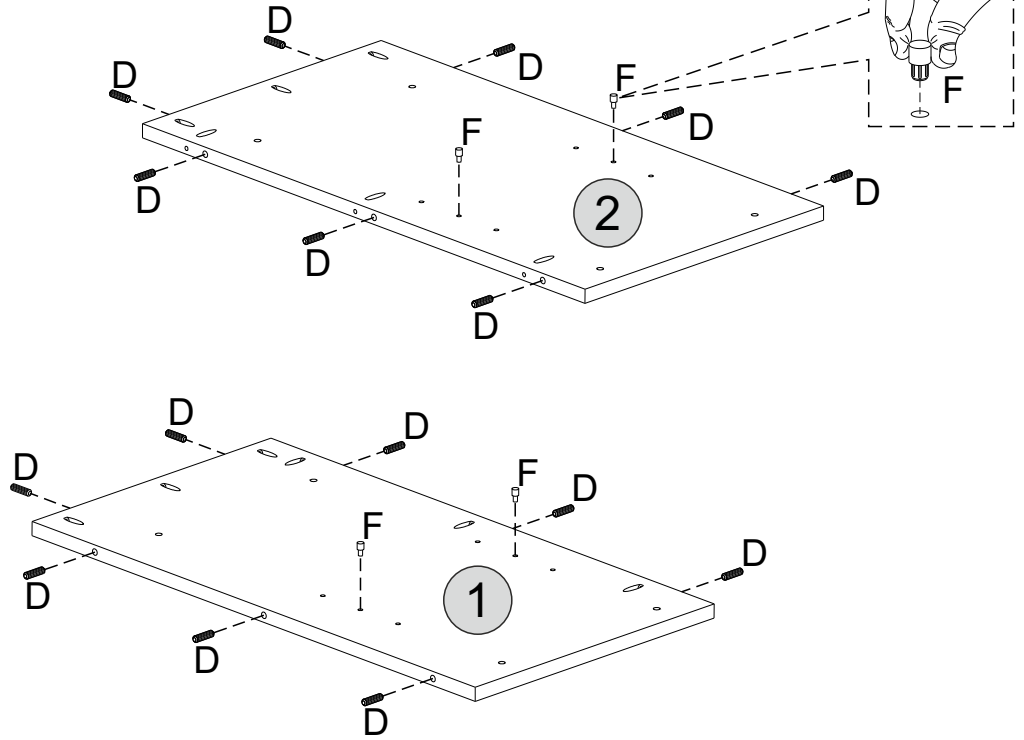
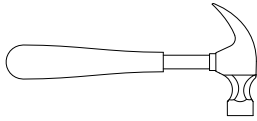
2 - LEFT SIDE PANEL x1

HARDWARE REQUIRED

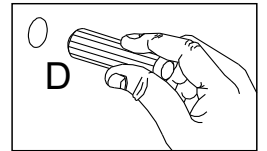
D  16
Ø 8 x 30mm

F  04

TOOLS REQUIRED



 Please assemble on a clean soft surface to avoid damage.



STEP 2

PARTS REQUIRED

1 - RIGHT SIDE PANEL x1

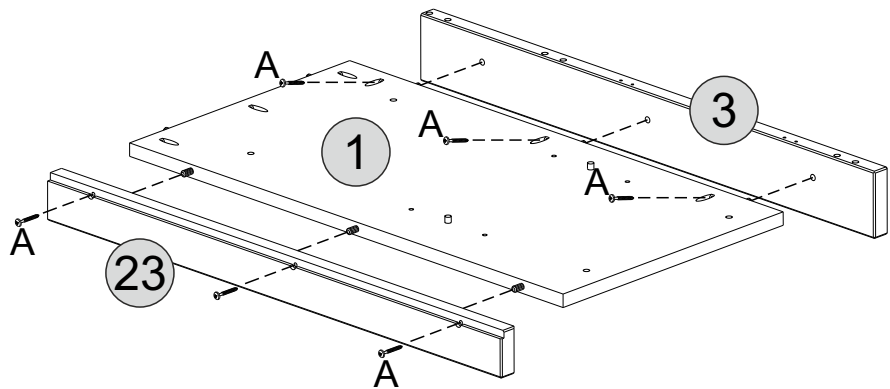
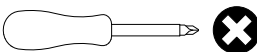
3 - RIGHT FRONT UPRIGHT x1

23 - RIGHT BACK UPRIGHT x1

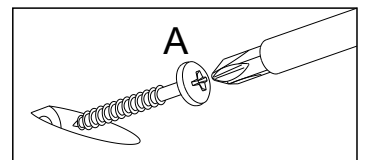
HARDWARE REQUIRED

A  06
Ø 3,5 x 35mm

TOOLS REQUIRED



 Please assemble on a clean soft surface to avoid damage.



STEP 3

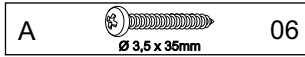
PARTS REQUIRED

2 - LEFT SIDE PANEL x1

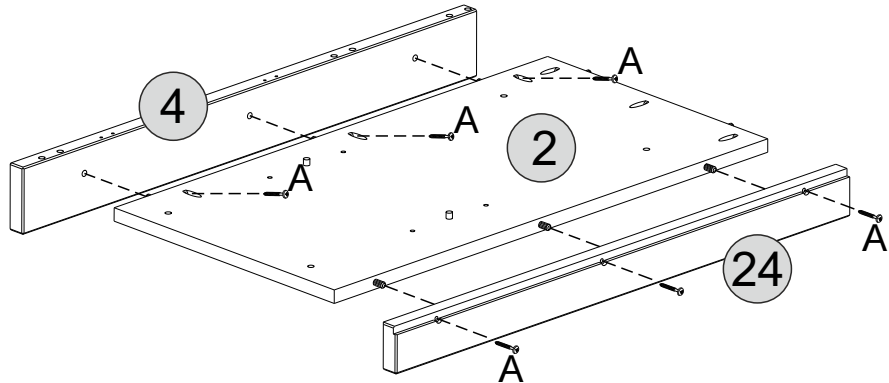
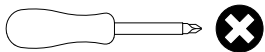
4 - LEFT FRONT UPRIGHT x1

24 - LEFT BACK UPRIGHT x1

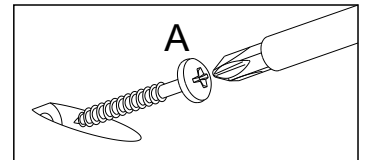
HARDWARE REQUIRED



TOOLS REQUIRED



Please assemble on a clean soft surface to avoid damage.



STEP 4

PARTS REQUIRED

7 - BOTTOM FRONT CROSSBEAM x1

14 - CENTRE FRONT UPRIGHT x1

17 - CENTRE FRONT UPRIGHT x1

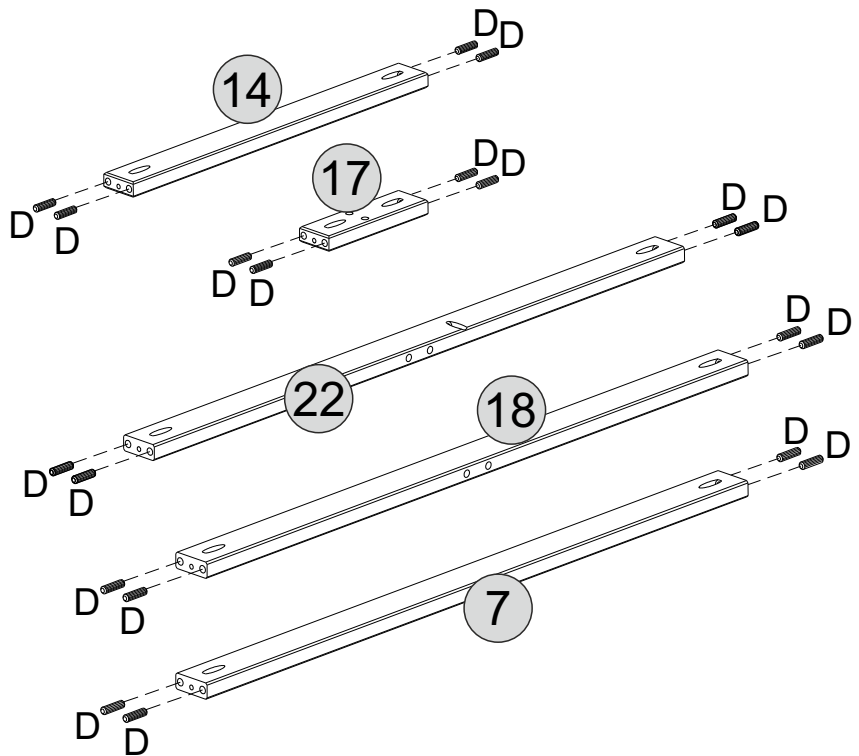
18 - CENTRE FRONT CROSSBEAM x1

22 - TOP FRONT CROSSBEAM x1

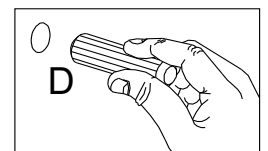
HARDWARE REQUIRED



TOOLS REQUIRED



Please assemble on a clean soft surface to avoid damage.



STEP 5

PARTS REQUIRED

7 - BOTTOM FRONT CROSSBEAM x1

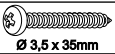
14 - CENTRE FRONT UPRIGHT x1

17 - CENTRE FRONT UPRIGHT x1

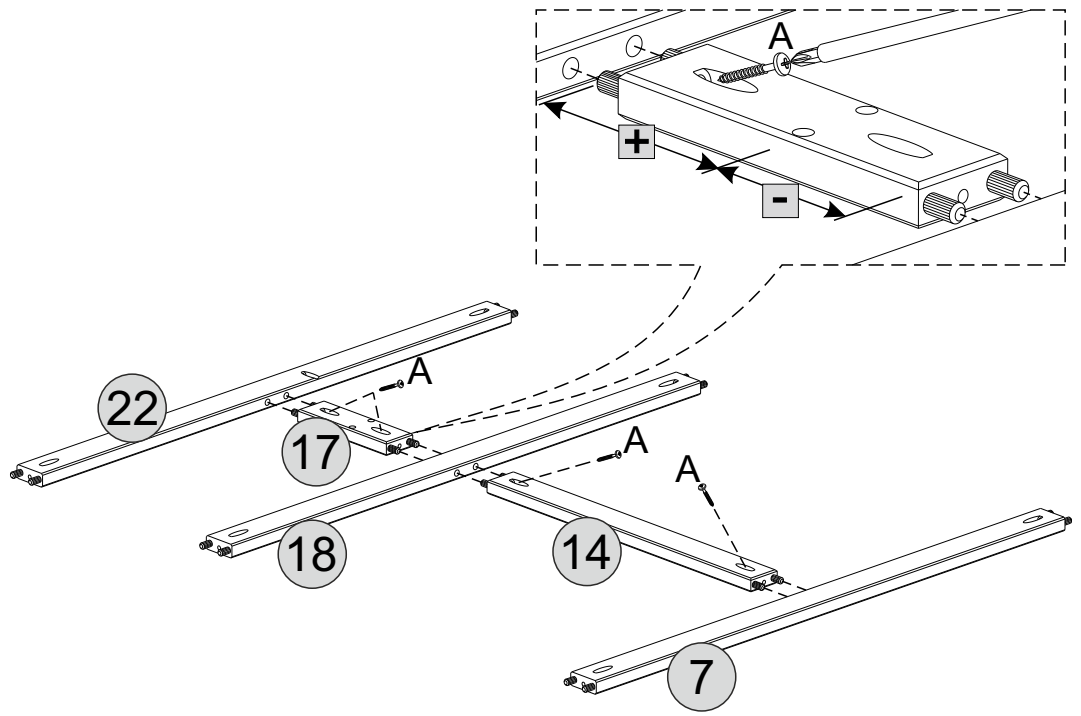
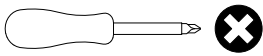
18 - CENTRE FRONT CROSSBEAM x1

22 - TOP FRONT CROSSBEAM x1

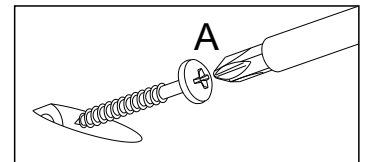
HARDWARE REQUIRED

A  04
Ø 3,5 x 35mm

TOOLS REQUIRED



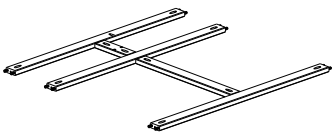

Please assemble on a clean soft surface to avoid damage.



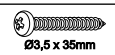
STEP 6

PARTS REQUIRED

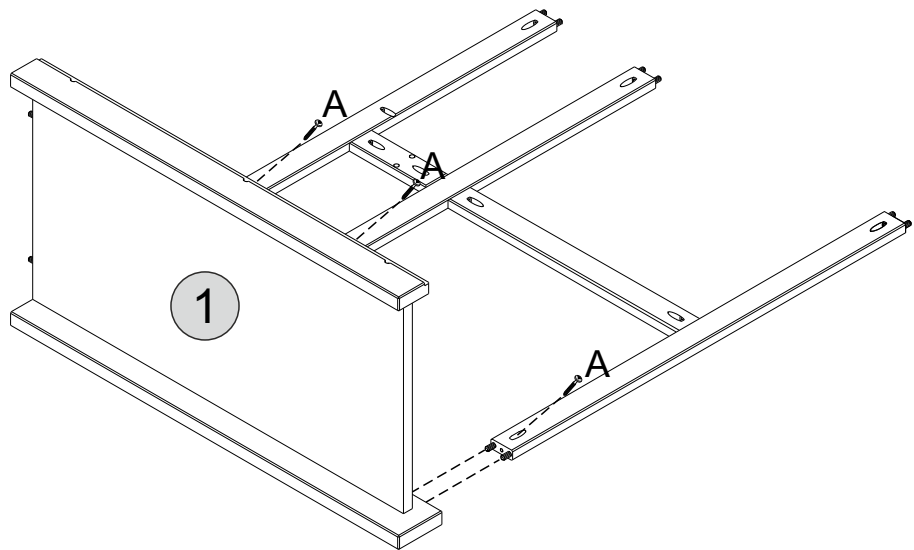
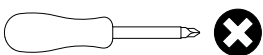
1 - RIGHT SIDE PANEL x1



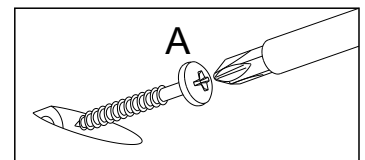
HARDWARE REQUIRED

A  03
Ø 3,5 x 35mm

TOOLS REQUIRED




Please assemble on a clean soft surface to avoid damage.




STEP 7


PARTS REQUIRED

8 - BASE x1

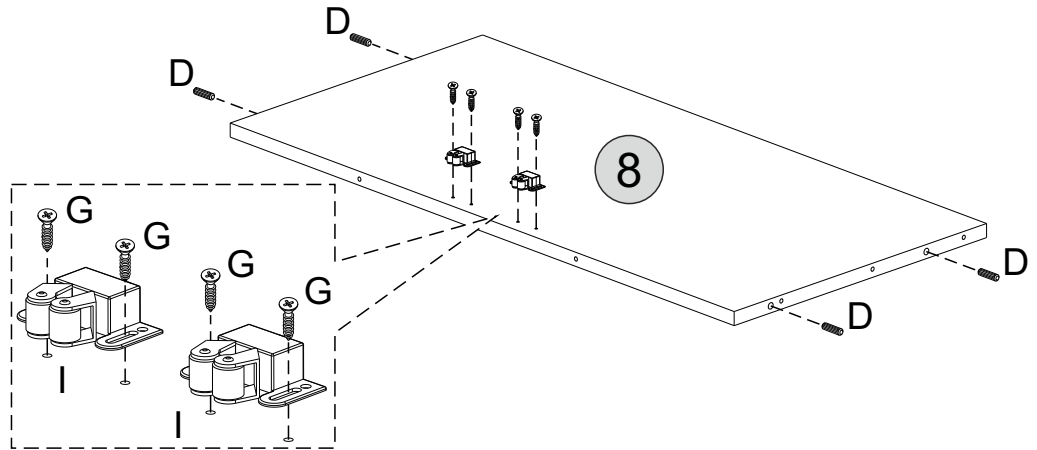
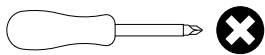
HARDWARE REQUIRED

D  04
Ø 8 x 30mm

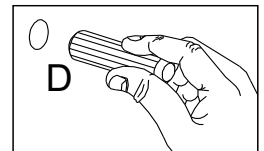
G  04
Ø 3,0 x 16mm

I  02

TOOLS REQUIRED



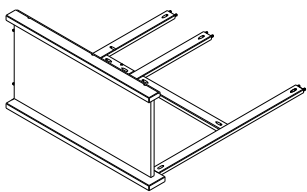
Please assemble on a clean soft surface to avoid damage.



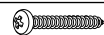
STEP 8

PARTS REQUIRED

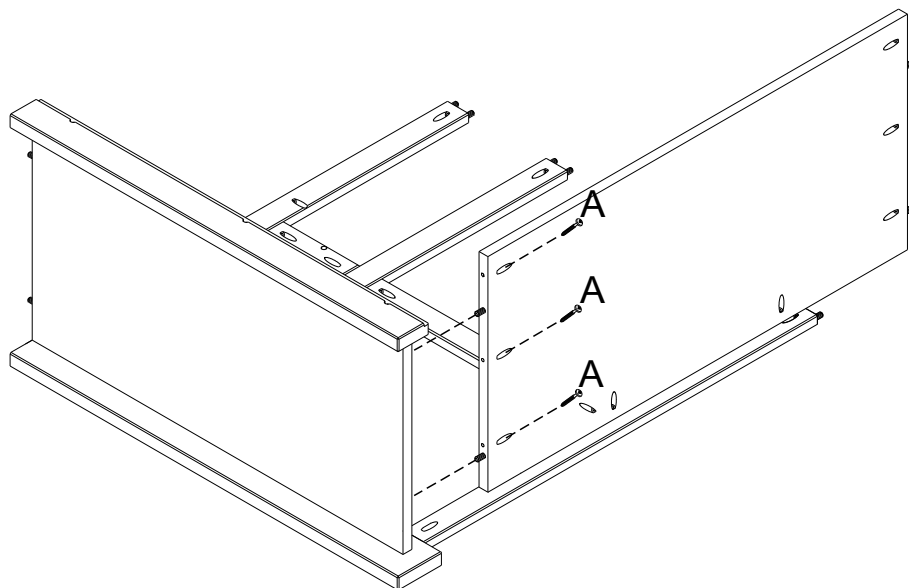
3 - RIGHT FRONT UPRIGHT x1



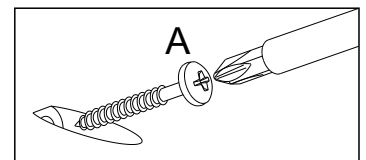
HARDWARE REQUIRED

A  03
Ø 3,5 x 36mm

TOOLS REQUIRED



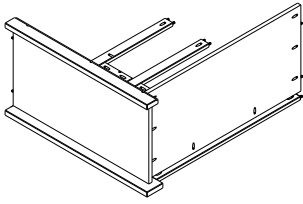
Please assemble on a clean soft surface to avoid damage.




STEP 9

PARTS REQUIRED

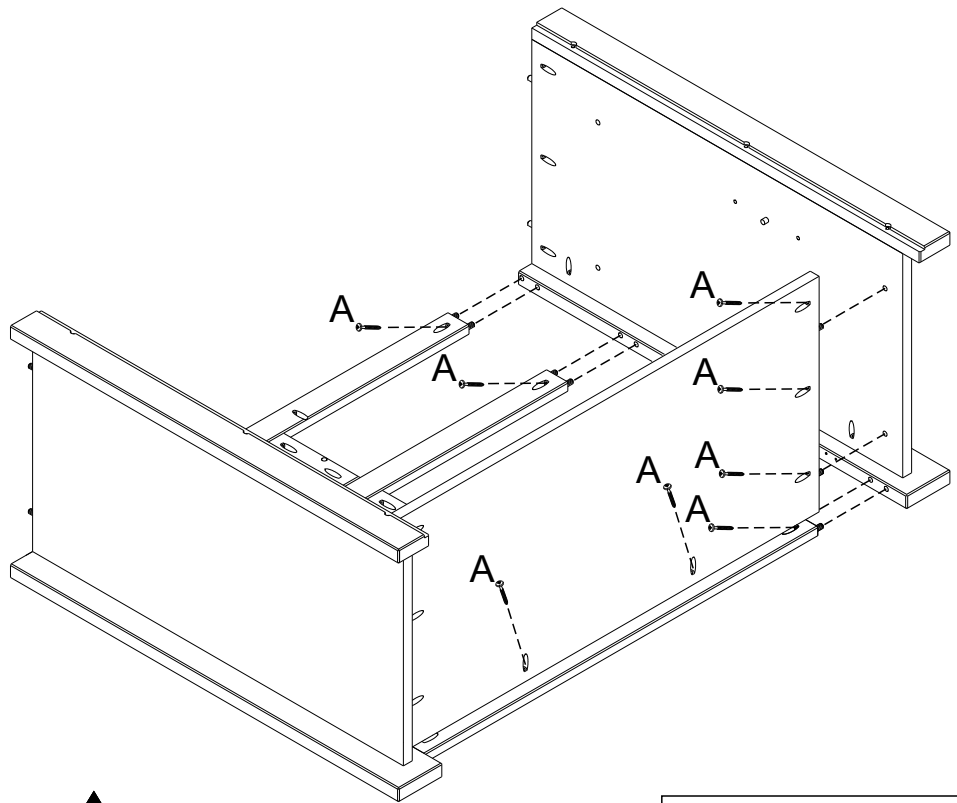
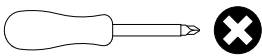
2 - LEFT SIDE PANEL x1



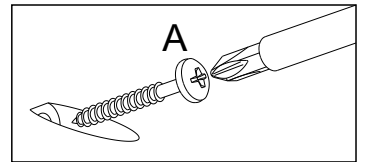
HARDWARE REQUIRED

A  08
Ø 3,5 x 35mm

TOOLS REQUIRED



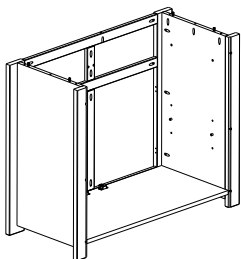

Please assemble on a clean soft surface to avoid damage.



STEP 10

PARTS REQUIRED

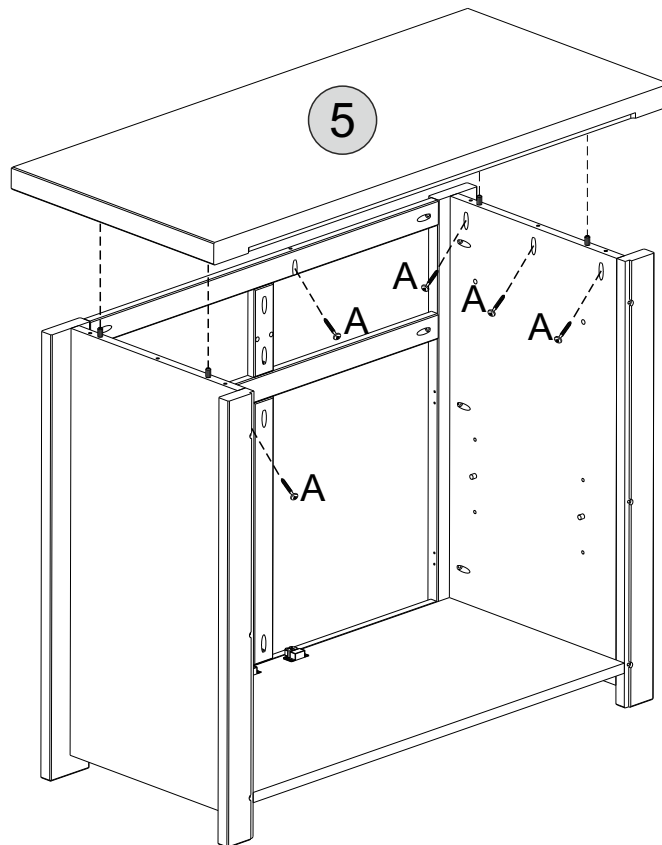
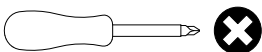
5 - TOP PANEL x1



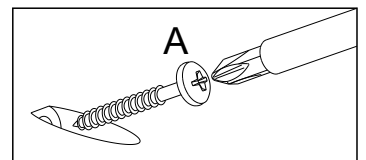
HARDWARE REQUIRED

A  07
Ø 3,5 x 35mm

TOOLS REQUIRED




Please assemble on a clean soft surface to avoid damage.



STEP 11

PARTS REQUIRED

6 - DRAWER RUNNER x1

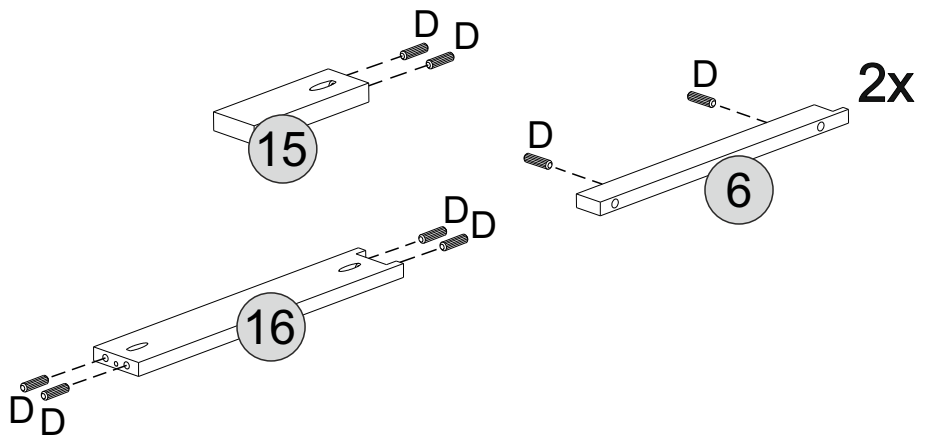
15 - BACK UPRIGHT x2

16 - CENTRE DRAWER RUNNER x2

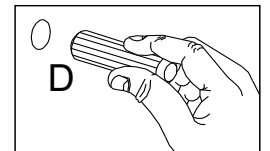
HARDWARE REQUIRED

D  10
Ø 8 x 30mm

TOOLS REQUIRED



 Please assemble on a clean soft surface to avoid damage.



STEP 12

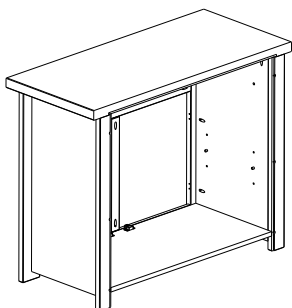
PARTS REQUIRED

6 - DRAWER RUNNER x2


15 - BACK UPRIGHT x1

16 - CENTRE DRAWER RUNNER x1

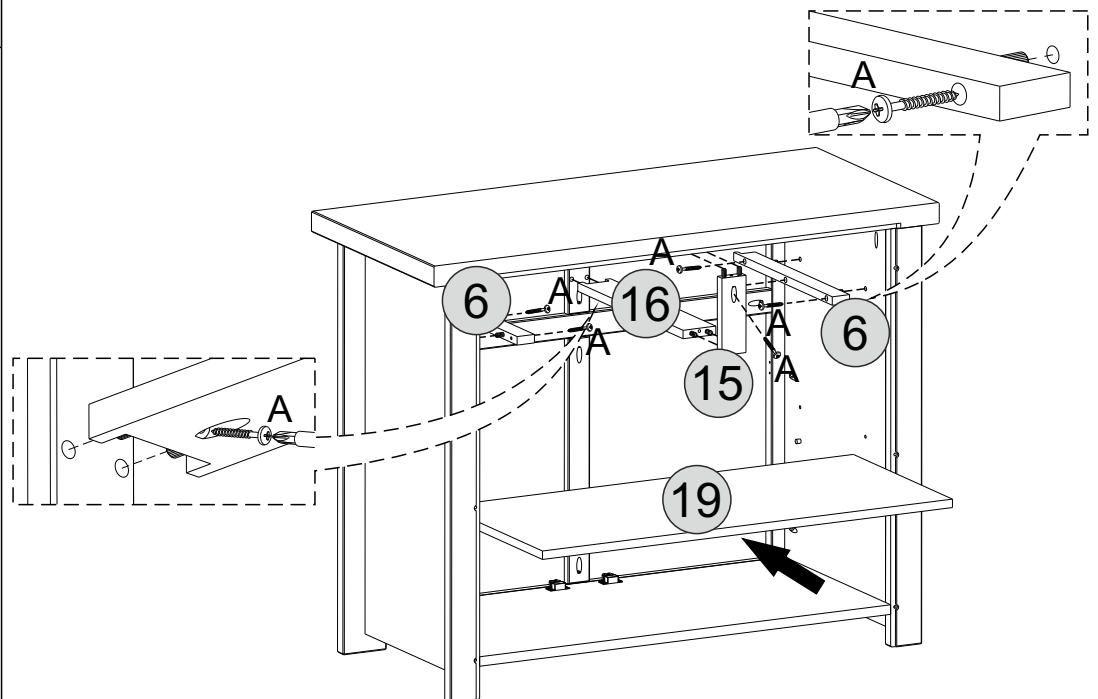
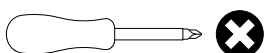
19 - ADJUSTABLE SHELF x1



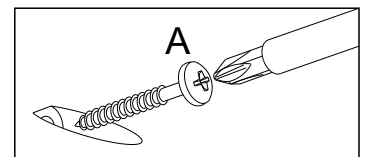
HARDWARE REQUIRED

A  09
Ø 3,5 x 35mm

TOOLS REQUIRED



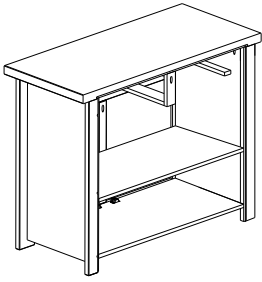
 Please assemble on a clean soft surface to avoid damage.



STEP 13

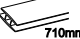
PARTS REQUIRED

9 - BACK PANEL x2

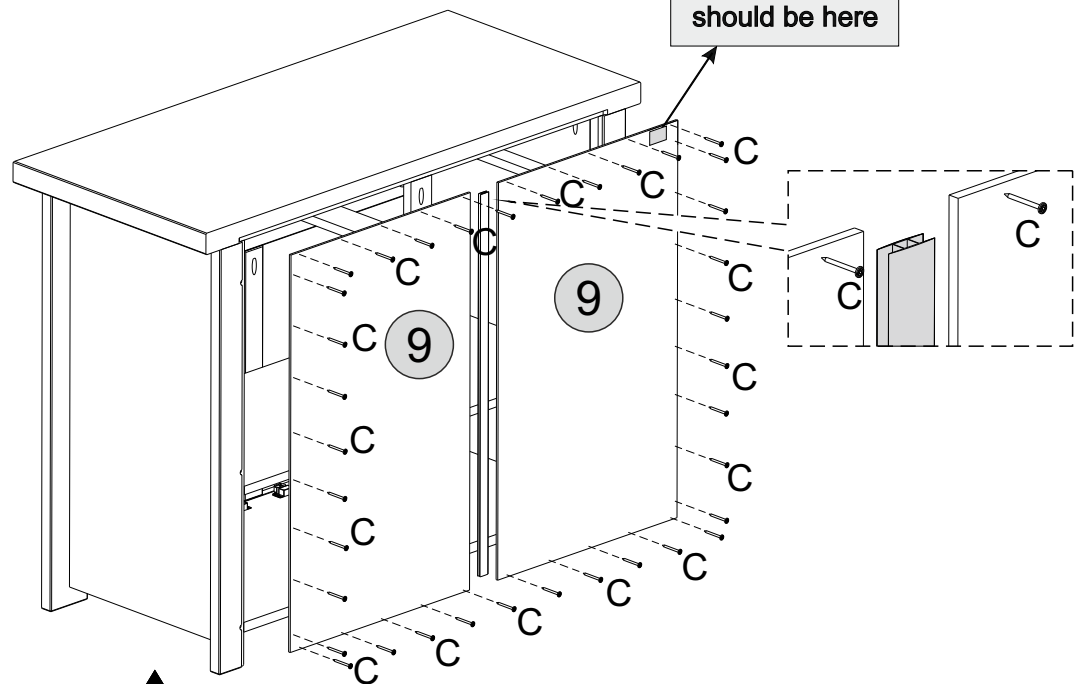
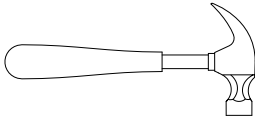


HARDWARE REQUIRED

C  10x10mm 36

H  710mm 01

TOOLS REQUIRED



For your future reference order number should be here

 Please assemble on a clean soft surface to avoid damage.

STEP 14

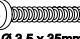
PARTS REQUIRED

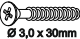
10 - DRAWER FRONT x2

11 - DRAWER SIDE x4

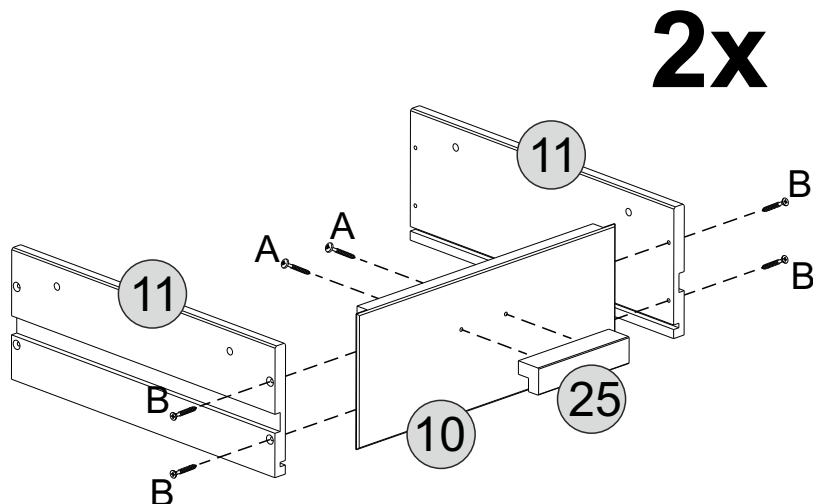
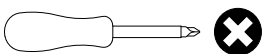
25 - HANDLE x2

HARDWARE REQUIRED

A  Ø 3,5 x 35mm 04

B  Ø 3,0 x 30mm 08

TOOLS REQUIRED



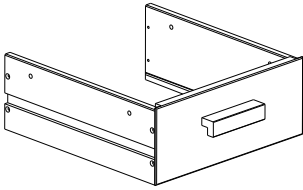
 Please assemble on a clean soft surface to avoid damage.

STEP 15

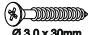
PARTS REQUIRED

12 - DRAWER BOTTOM x2

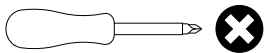
13 - DRAWER BACK x2



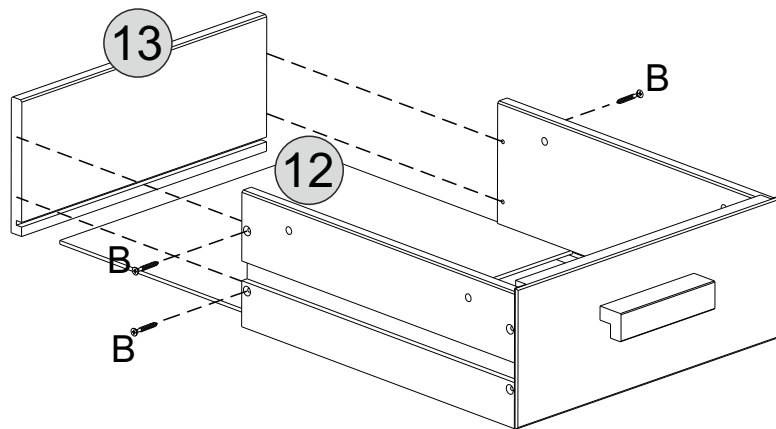
HARDWARE REQUIRED

B  08
Ø 3,0 x 30mm

TOOLS REQUIRED



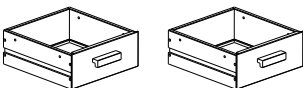
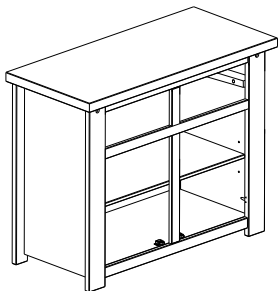
2x




Please assemble on
a clean soft surface
to avoid damage.

STEP 16

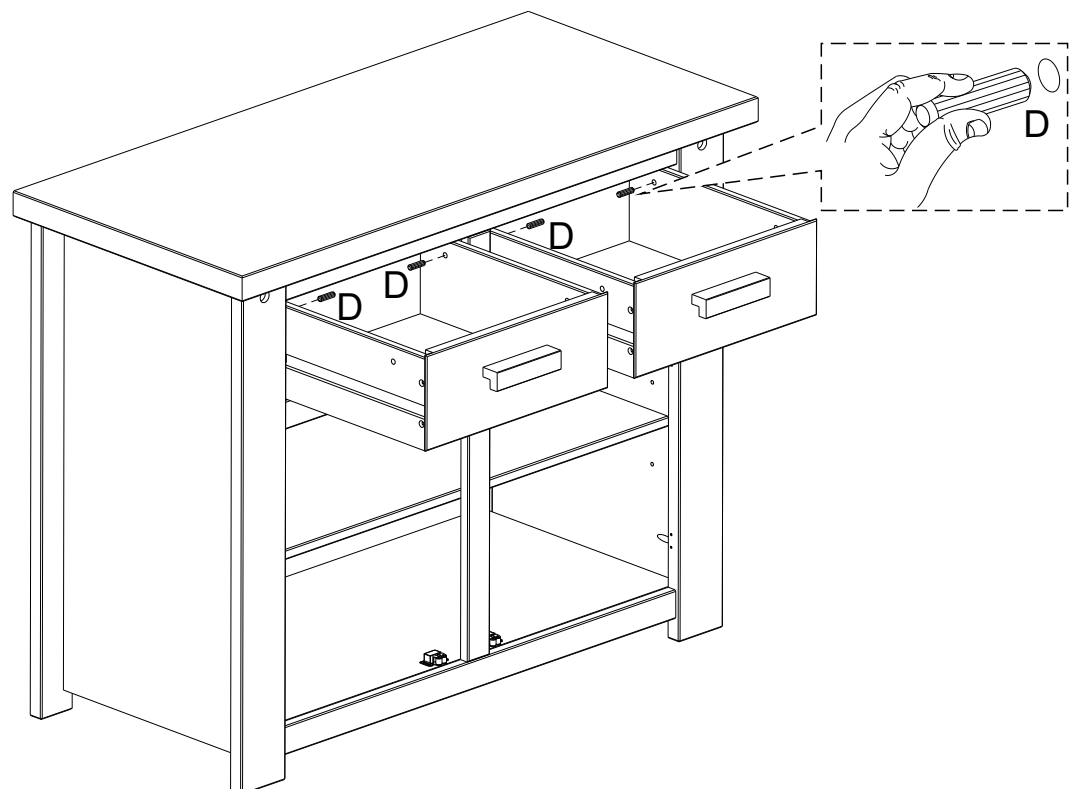
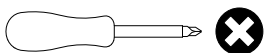
PARTS REQUIRED



HARDWARE REQUIRED

D  04
Ø 8 x 30mm

TOOLS REQUIRED



Please assemble on
a clean soft surface
to avoid damage.

STEP 17

PARTS REQUIRED

20 - RIGHT DOOR x1

21 - LEFT DOOR x1

HARDWARE REQUIRED

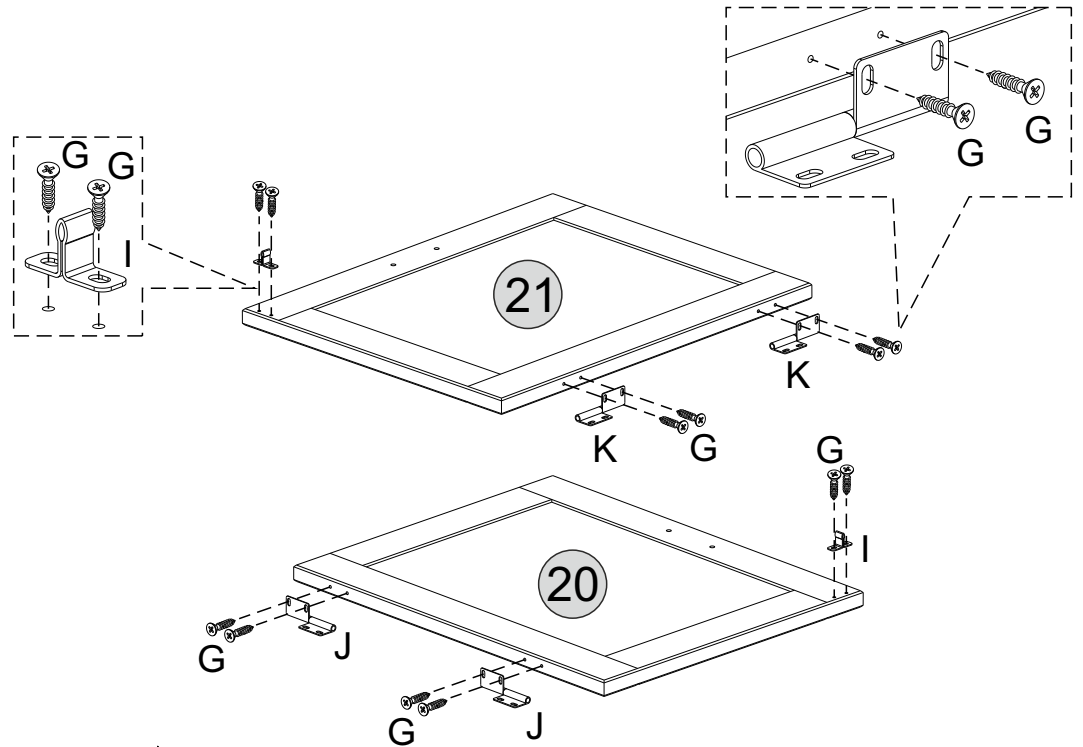
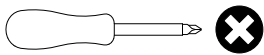
G  12
Ø 3,0 x 16mm

I  02

J  02
Right

K  02
Left

TOOLS REQUIRED



 Please assemble on a clean soft surface to avoid damage.

STEP 18

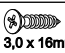
PARTS REQUIRED

20 - RIGHT DOOR x1

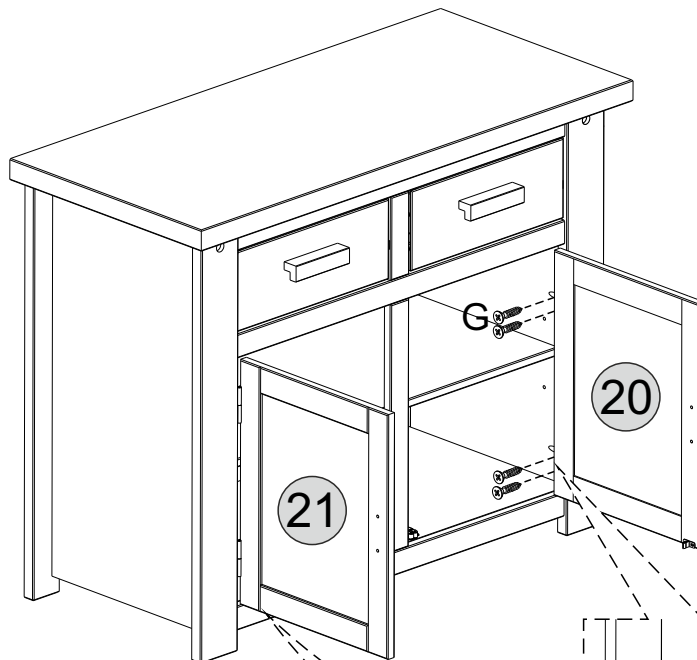
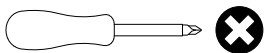
21 - LEFT DOOR x1



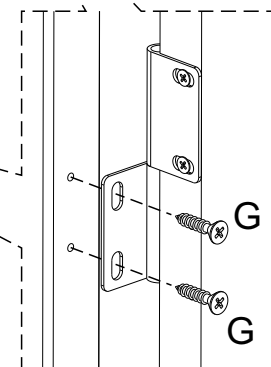
HARDWARE REQUIRED

G  08
Ø 3,0 x 16mm

TOOLS REQUIRED



 Please assemble on a clean soft surface to avoid damage.

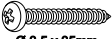


STEP 19

PARTS REQUIRED

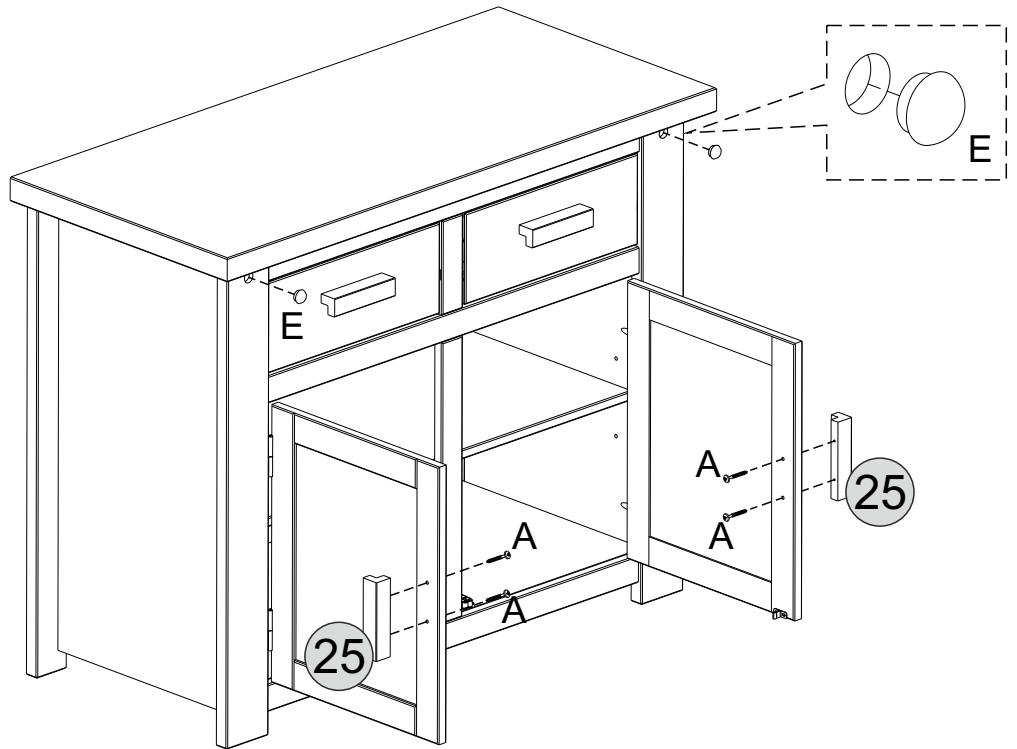
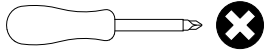
25 - HANDLE x2

HARDWARE REQUIRED

A  04
Ø 3,5 x 35mm

E  02

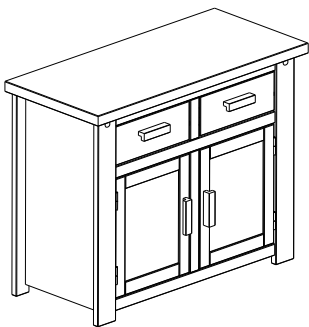
TOOLS REQUIRED




Please assemble on a clean soft surface to avoid damage.

STEP 20

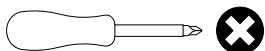
PARTS REQUIRED



HARDWARE REQUIRED

L  01

TOOLS REQUIRED



WARNING

Serious or fatal injuries can occur from furniture tipping over. To prevent the furniture from tipping over we recommend that it is permanently fixed to the wall.

Wall fixings are not supplied with this product as different wall materials require different types of fixing devices. Please make sure you use fixings suitable for the walls in your home.

