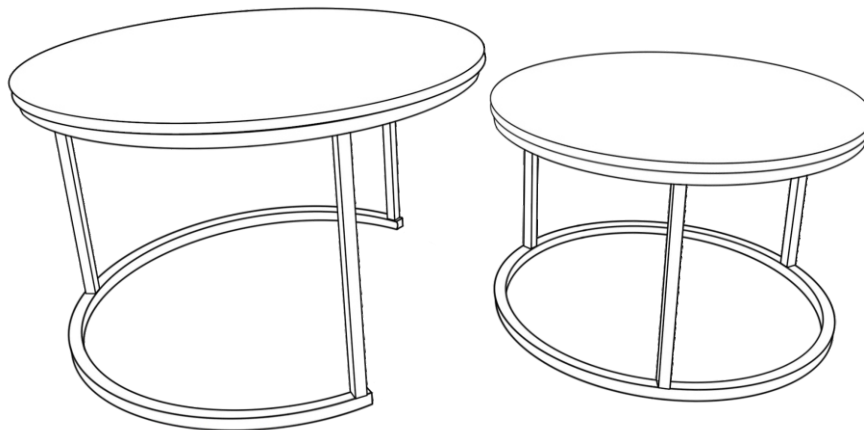


DALLAS ROUND COFFEE TABLE SET ASSEMBLY INSTRUCTIONS



FOR DOMESTIC USE ONLY
IMPORTANT

PLEASE READ BEFORE YOU CONTINUE FURTHER

THE PRODUCTS YOU HAVE PURCHASED WILL GIVE YOU MANY YEARS OF SERVICE IF YOU FOLLOW THE GUIDELINES FOR ITS SAFE ASSEMBLY AND PERIODIC MAINTENANCE AND CLEANING.

ASSEMBLE ON A SOFT CLEAN SURFACE.

DO NOT USE ANY TOOLS OTHER THAN THOSE SHOWN.

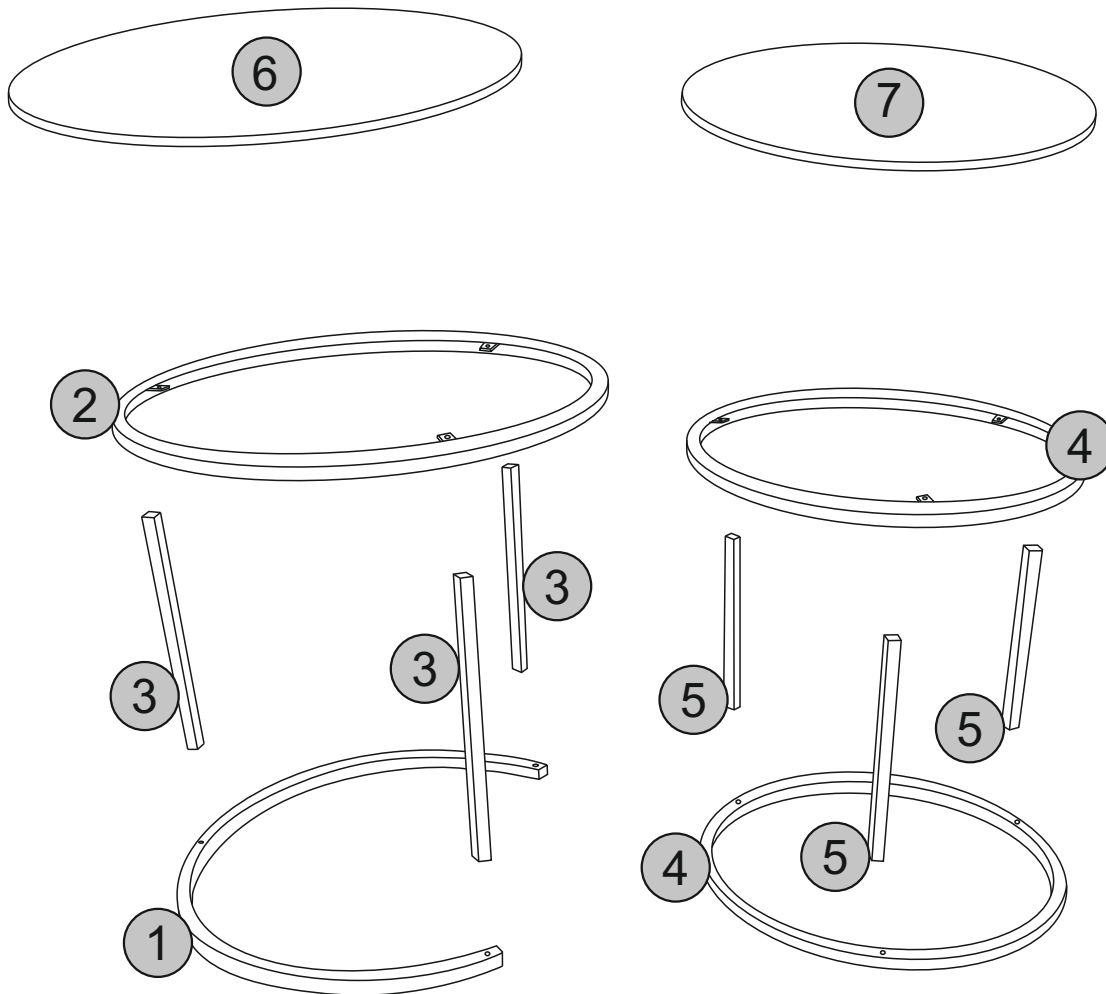
ANY SPANNERS AND ALLEN KEYS REQUIRED ARE INCLUDED WITH THE FITTINGS KIT.

DO NOT FOR ANY REASON USE POWER TOOLS TO ASSEMBLY THIS PRODUCT. ITS USE WILL INVALIDATE ANY CLAIM AND MAY DAMAGE THIS PRODUCT MAKING IT UNSAFE.

DEPENDING ON THE AMOUNT OF USE THIS PRODUCT RECEIVES IT MAY BE NECESSARY TO TIGHTEN UP THE FIXINGS FROM TIME TO TIME.
DO NOT OVERTIGHTEN FIXINGS.

FOR CLEANING, YOU MAY USE A DAMP CLOTH (NOT WET) DO NOT USE POLISH, DETERGENT OR CHEMICAL CLEANERS.

THE SURFACE OF THIS ITEM IS NOT HEAT RESISTANT. ALWAYS USE A PLACE MAT UNDER HOT OR COLD ITEMS TO PREVENT MARKING.



PLEASE CHECK THAT YOU HAVE ALL THE PARTS LISTED BEFORE YOU START ASSEMBLING. IF YOU DO FIND THAT SOMETHING IS MISSING, DO NOT CONTINUE ASSEMBLY. PLEASE CONTACT YOUR SUPPLIER IMMEDIATELY.

PARTS LIST

Part Number	Part Code	Part Description	Quantity	Carton
1	S300-301-072-RJ1-01	Metal Frame Bottom (Large)	1	1
2	S300-301-072-RJ1-02	Metal Frame Top (Large)	1	1
3	S300-301-072-RJ1-03	Support Bar (Large)	3	1
4	S300-301-072-RJ1-04	Metal Frame Top/Bottom	2	1
5	S300-301-072-RJ1-05	Support Bar (Small)	3	1
6	S300-301-072-RJ1-06	Table Top (Large)	1	1
7	S300-301-072-RJ1-07	Table Top (Small)	1	1

HARDWARE LIST

REF		HARDWARE NAME	QTY
A		M6 x 12mm Bolt	6PCS
B		M6 x 20mm Bolt	12PCS
C		Allen Key	1PC

PLEASE CHECK THAT YOU HAVE ALL THE PARTS LISTED BEFORE YOU START ASSEMBLING. IF YOU DO FIND THAT SOMETHING IS MISSING, DO NOT CONTINUE ASSEMBLY. PLEASE CONTACT YOUR SUPPLIER IMMEDIATELY.

STEP 1

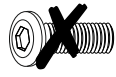
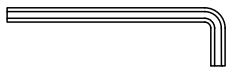
PARTS REQUIRED

- 1 - METAL FRAME BOTTOM (LARGE) x1
- 2 - METAL FRAME TOP (LARGE) x1
- 3 - SUPPORT BAR (LARGE) x3
- 4 - METAL FRAME TOP/BOTTOM x2
- 5 - SUPPORT BAR (SMALL) x3

HARDWARE REQUIRED

B  12

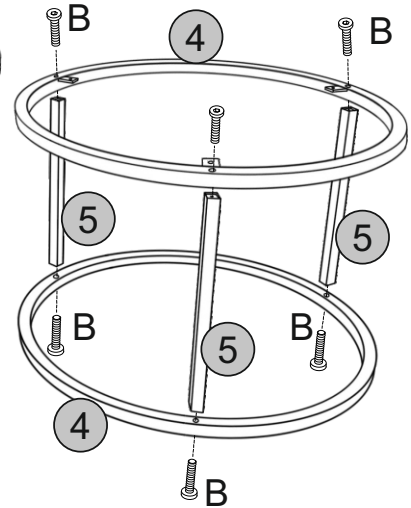
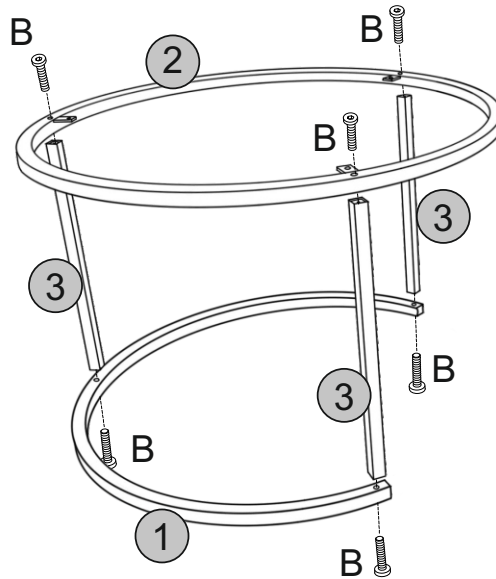
TOOLS REQUIRED



M6x12mm



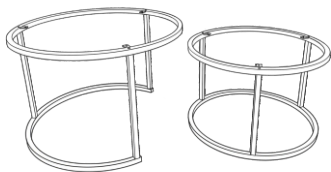
M6x20mm




STEP 2

PARTS REQUIRED

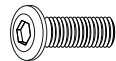
- 6 - TABLE TOP (LARGE) x1
- 7 - TABLE TOP (SMALL) x1



HARDWARE REQUIRED

A  06

TOOLS REQUIRED



M6x12mm



M6x20mm

