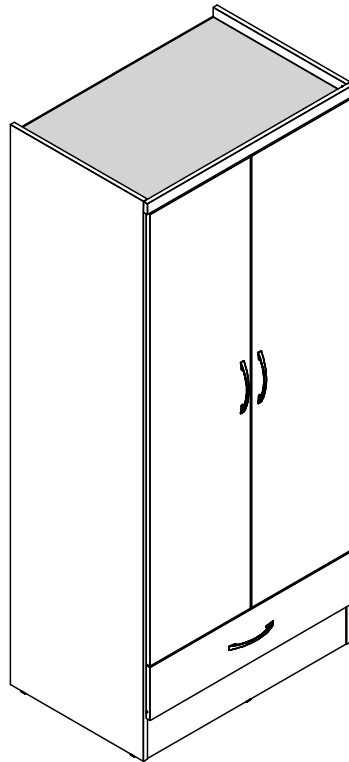


NEVADA 2 DOOR 1 DRAWER WARDROBE ASSEMBLY INSTRUCTIONS



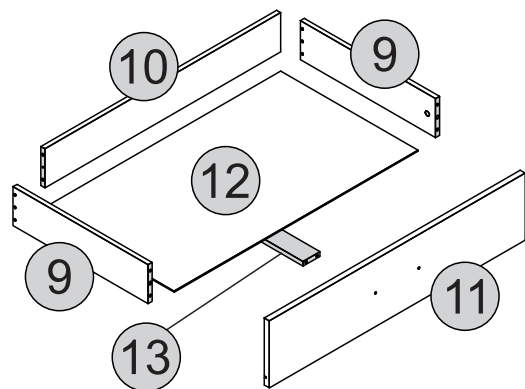
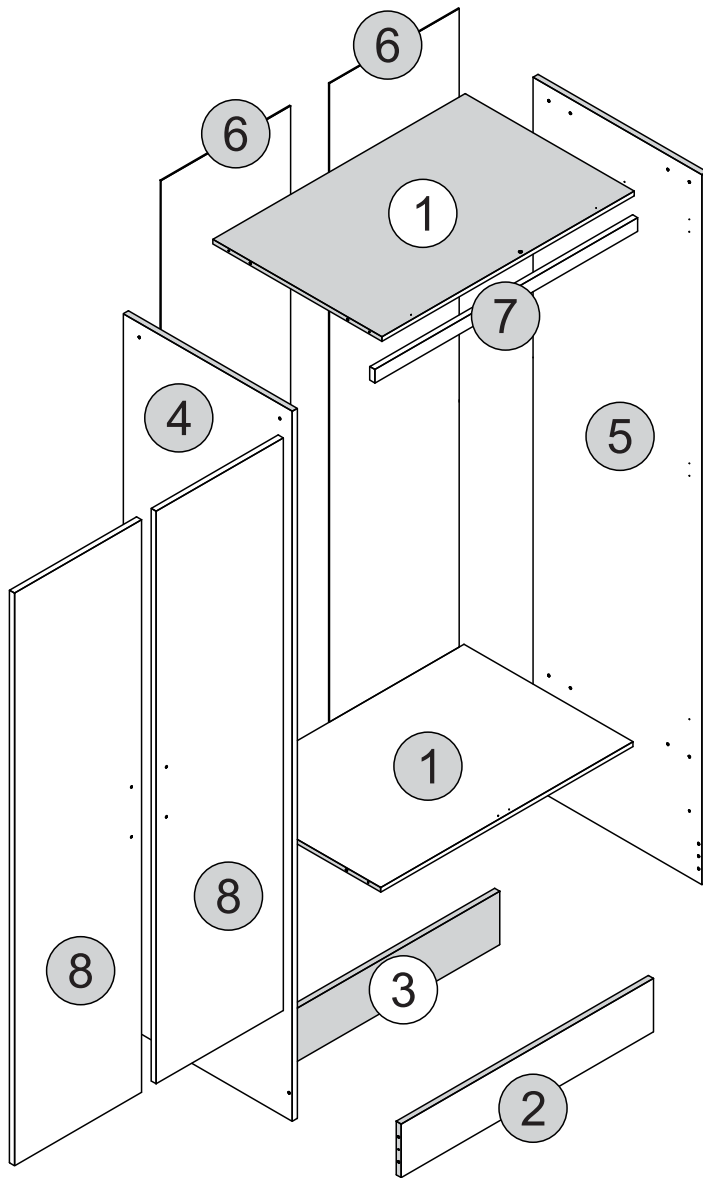
IMPORTANT FOR DOMESTIC USE ONLY

PLEASE READ BEFORE YOU CONTINUE FURTHER

CARE AND MAINTENANCE

After unpacking this product please keep the original packaging in case it needs to be returned for any reason.

- Please ensure all fittings and parts are present before commencing with assembly.
- Never drag or push products as this could cause damage to the joints making it inferior.
- We strongly recommend that you keep children away from your work area.
- We recommend that you lay a blanket or sheet on the floor to avoid damage to both your floor and the product.
- Assemble this product as close to its final position as possible.
- Do not place this product next to a radiator or in direct sunlight.
- Do not drag or push items across your high gloss furniture as this may cause the surface to scratch
- Wood is a natural product and may expand if subjected to damp and may shrink or crack if subjected to heat. Therefore it is recommended that room temperature is maintained, with no sudden temperature fluctuations.
- Make sure any spillage is wiped off immediately.
- Do not place hot or chilled items directly on to the surface, use a place mat or marking will occur.
- For general cleaning use a soft cotton or micro fibre cloth, and do not use detergents of any kind.
- From time to time it may be necessary to tighten fittings, regular inspections should be carried out.
- Do not place on a wet or damp floor as staining may occur to your floor.

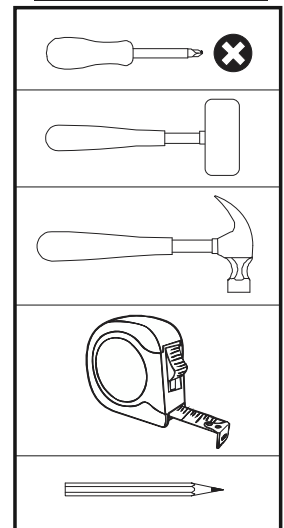


PARTS LIST

Please Note:
The below parts have all been stamped with the part number to help identify them during assembly.

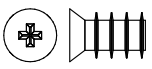
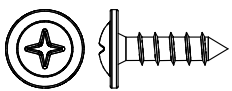
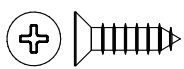
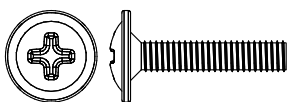





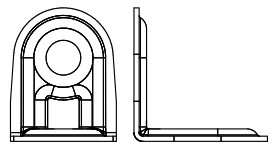

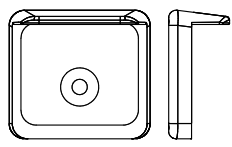
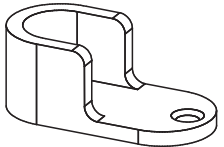
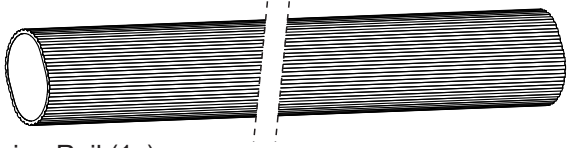
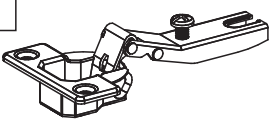
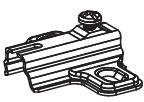
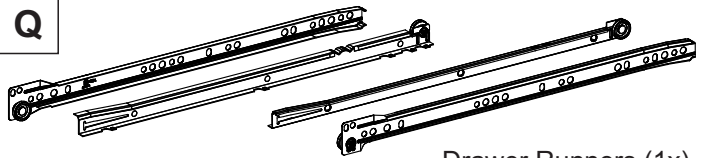
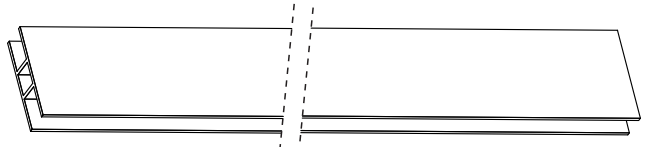



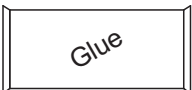
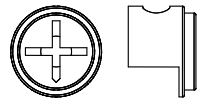
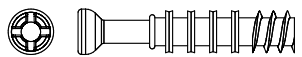
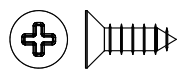
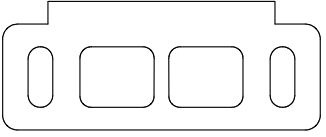
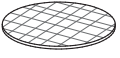
Part Number	Part Description	Quantity	Carton
01	Base-Top Panel	2	1/2
02	Front Baseboard	1	2/2
03	Back Baseboard	1	2/2
04	Left Side Panel	1	1/2
05	Right Side Panel	1	1/2
06	Back Panel	2	1/2
07	Frame	1	2/2
08	Door	2	2/2
09	Drawer Side	2	1/2
10	Drawer Back Panel	1	2/2
11	Drawer Front	1	2/2
12	Drawer Botom	1	1/2
13	Drawer Botom Support Bar	1	1/2

TOOLS REQUIRED




FITTINGS LIST

SEC/SW/04/23/CA7


<p>A</p>  <p>Flat Head Screw Ø6,0 x 10mm (4x) 1/+</p>	<p>B</p>  <p>Flan Head Screw Ø4,0 x 14mm (6x) 1/+</p>	<p>C</p>  <p>Flat Head Screw Ø4,0 x 14mm (34x) 2/+</p>	<p>D</p>  <p>Flan Head Screw Ø4,0 x 20mm (6x) 1/+</p>
<p>E</p>  <p>Flat Head Screw Ø3,5 x 40mm (2x) 1/+</p>	<p>F</p>  <p>Flat Head Screw Ø4,0 x 50mm (14x) 2/+</p>	<p>G</p>  <p>Dowel Ø6,0 x 30mm (26x) 2/+</p>	
<p>H</p>  <p>Nail 10 x 10 (58x) 2/+</p>	<p>I</p>  <p>Flan Head Screw Ø3,5 x 30mm (2x) 1/+</p>	<p>J</p>  <p>'L' Metallic Support (4x) 1/+</p>	<p>K</p>  <p>Washer (4x) 1/+</p>
<p>L</p>  <p>Plastic Foot (6x) 1/+</p>	<p>M</p>  <p>Hanging Rail Support (2x)</p>	<p>N</p>  <p>Hanging Rail (1x)</p>	
<p>O</p>  <p>Hinge (6x)</p>	<p>P</p>  <p>Hinge Plate (6x)</p>	<p>Q</p>  <p>Drawer Runners (1x)</p>	
<p>R</p>  <p>Back Panel Strip (1x)</p>		<p>S</p>  <p>Strap (2x)</p>	<p>T</p>  <p>Handle (3x)</p>
<p>U</p>  <p>Hole Plugs (12x) 2/+</p>	<p>V</p>  <p>Glue (1x)</p>	<p>W</p>  <p>Cam Nut (2x) 1/+</p>	<p>X</p>  <p>Cam Bolt (2x) 1/+</p>
<p>Y</p>  <p>Flat Head Screw Ø4,0 x 12mm (12x) 2/+</p>	<p>Z</p>  <p>Door Support (2x)</p>		<p>A1</p>  <p>Hole Plugs (2x) 2/+</p>

TIPS FOR FITTINGS CAM-LOCKS


WHEN FITTING CAM NUT, ENSURE STARTING POSITION IS CORRECT BEFORE YOU INSERT CONNECTING CAM BOLT TURN CLOCKWISE UNTIL SECURE




↑
CORRECT



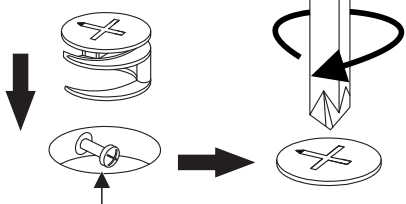
↑
WRONG



↑
WRONG



X



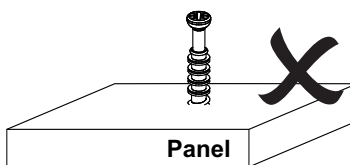
Cam bolt head needs to be in centre

CAMBOLT

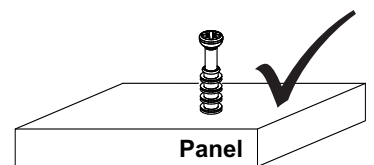
Tighten until shoulder in flush with panel. Do not overtighten or undertighten (see example beside)



Shoulder



Panel



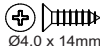
Panel


STEP 3

PARTS REQUIRED

4 - LEFT SIDE PANEL x1

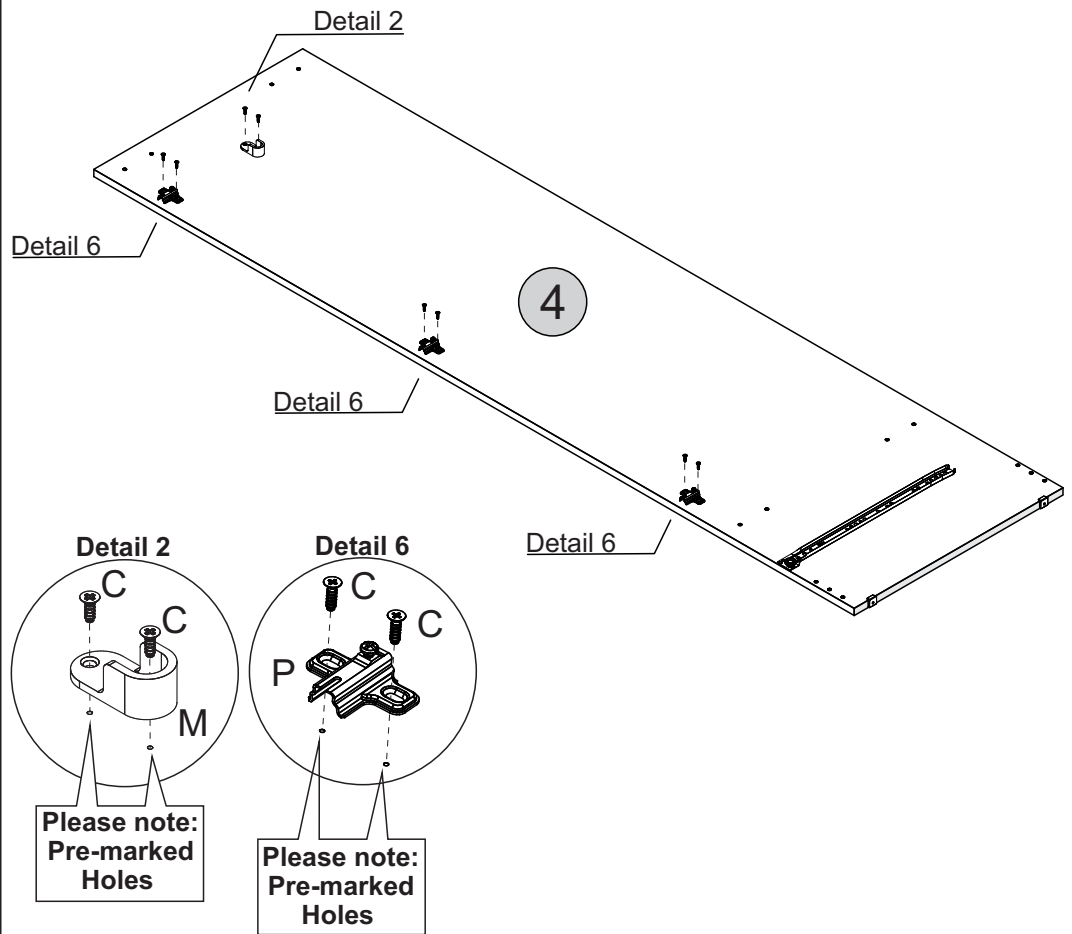
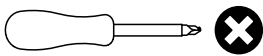
HARDWARE REQUIRED

C  08
Ø4,0 x 14mm

M  01

P  03

TOOLS REQUIRED

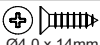


STEP 4

PARTS REQUIRED

4 - RIGHT SIDE PANEL x1

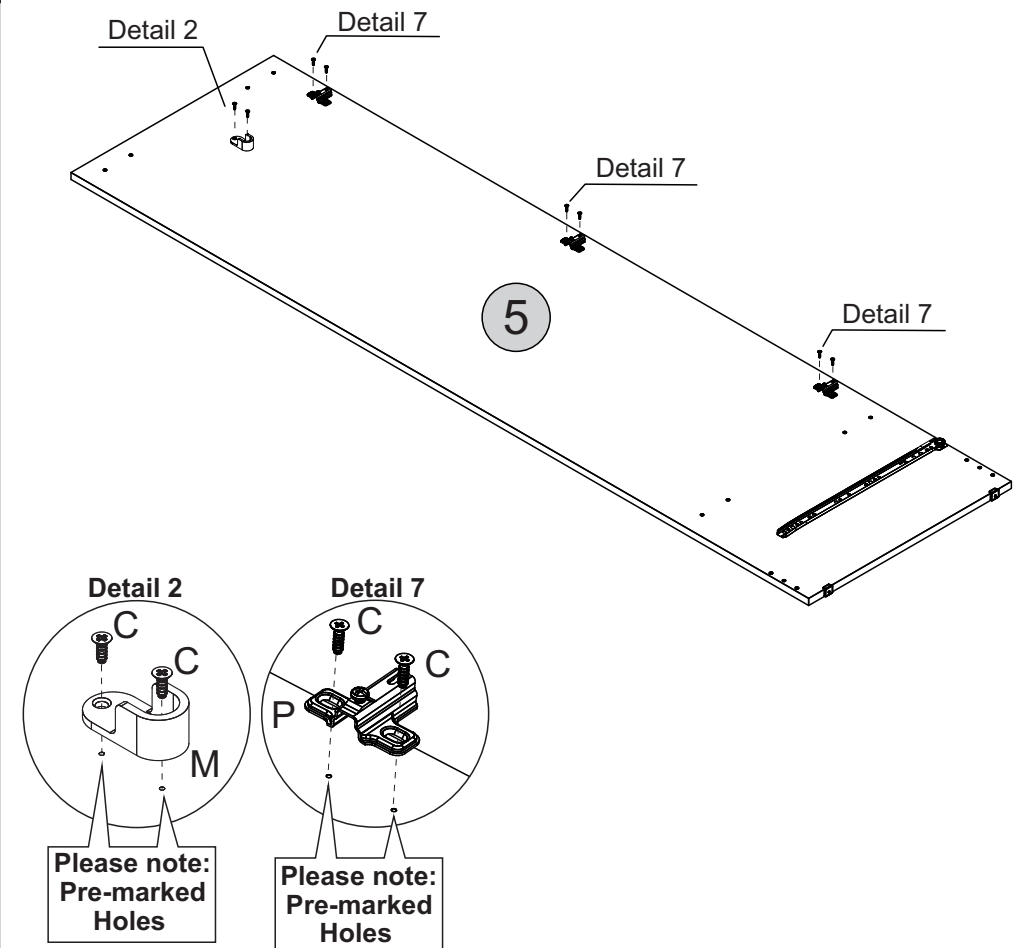
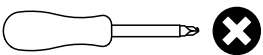
HARDWARE REQUIRED

C  08
Ø4,0 x 14mm

M  01

P  03

TOOLS REQUIRED




STEP 5

PARTS REQUIRED


1A - TOP PANEL x1

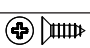
1B - BASE PANEL x1

HARDWARE REQUIRED

G  08
Ø6,0 x 30mm

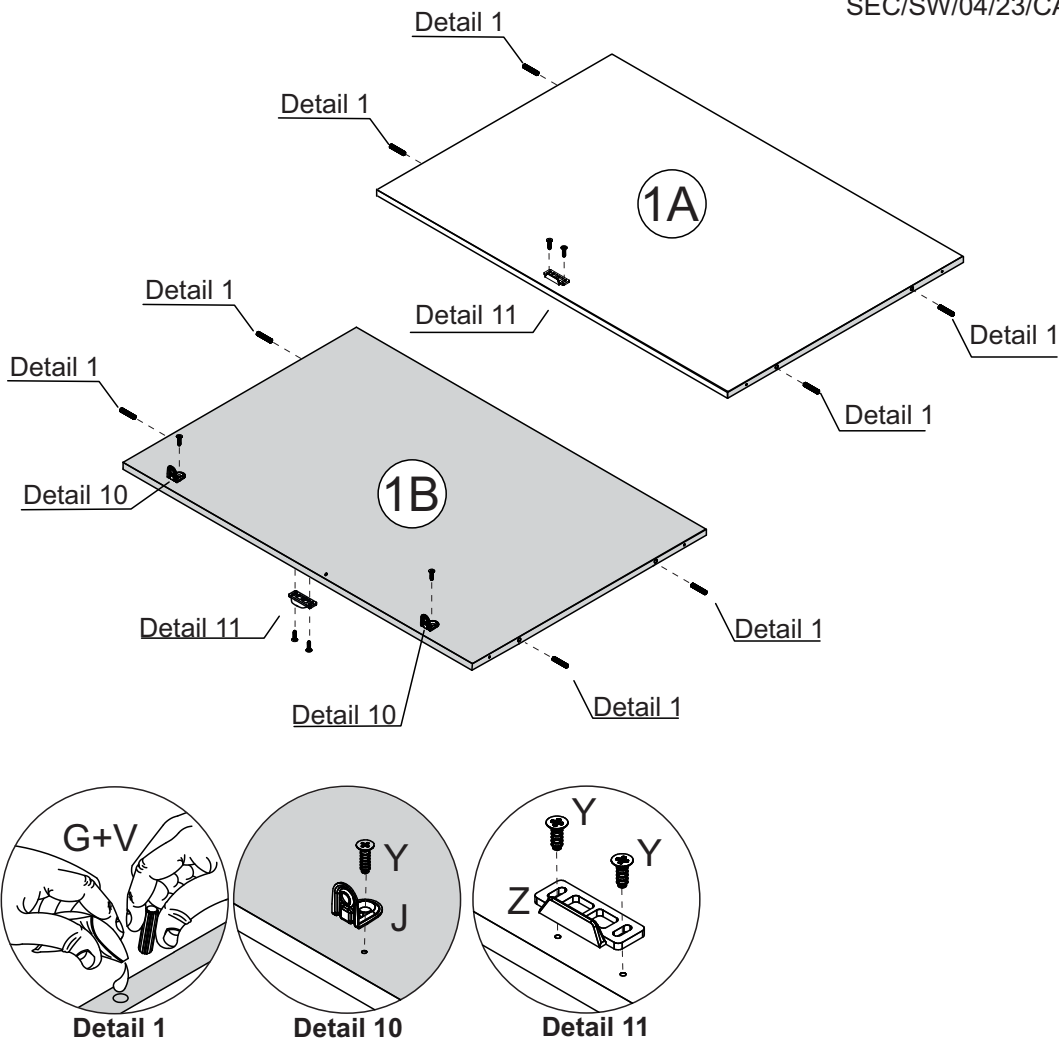
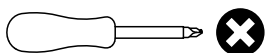
J  02

V  01

Y  06
Ø4,0 x 12mm

Z  02

TOOLS REQUIRED




STEP 6

PARTS REQUIRED

2 - FRONT BASEBOARD x1

3 - BACK BASEBOARD x1

HARDWARE REQUIRED

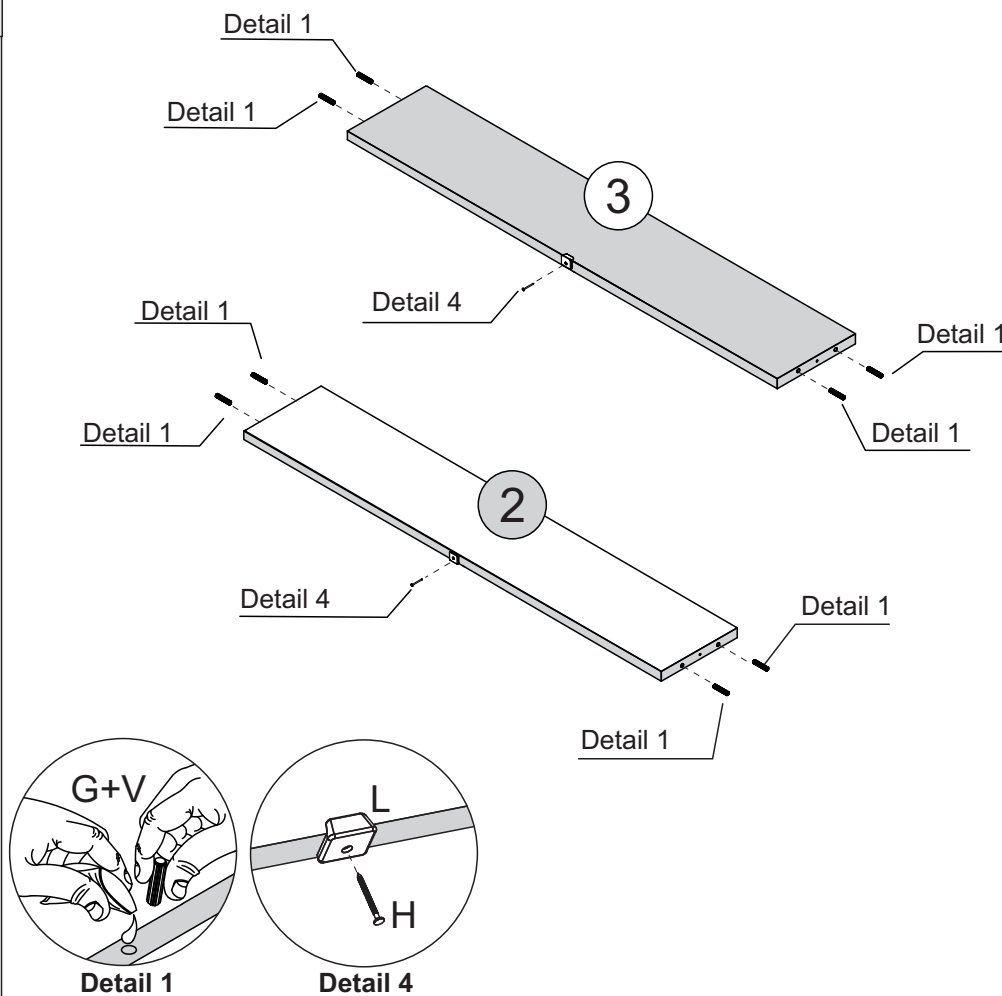
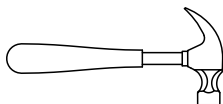
G  08
Ø6,0 x 30mm

H  02
10 x 10

L  02

V  01

TOOLS REQUIRED

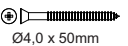



STEP 7

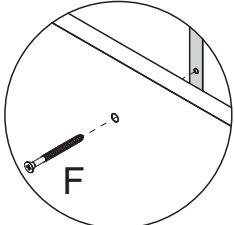
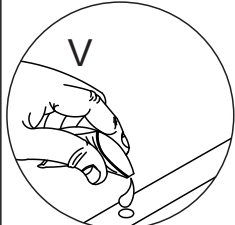
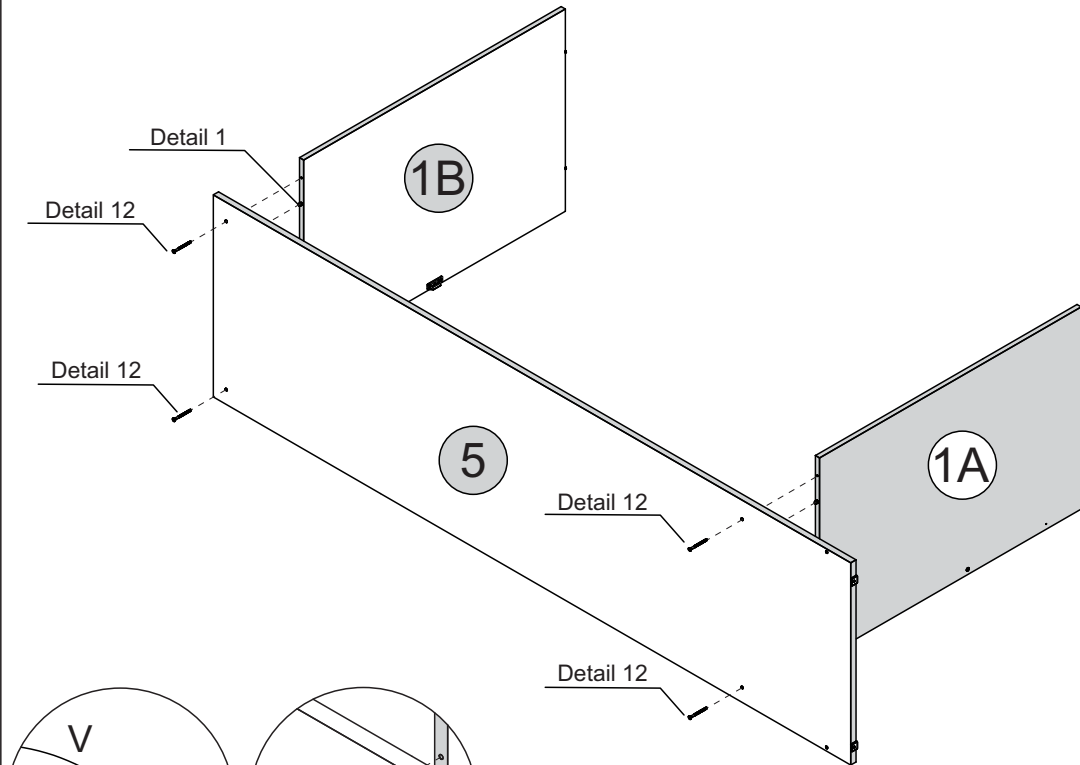
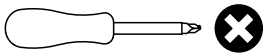
PARTS REQUIRED

- 1A - BASE PANEL x1
- 1B - TOP PANEL x1
- 5 - RIGHT SIDE PANEL x1

HARDWARE REQUIRED

- F  04
Ø4,0 x 50mm
- V  01

TOOLS REQUIRED



Detail 1

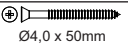
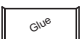
Detail 12

STEP 8

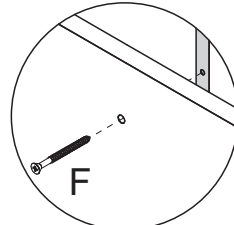
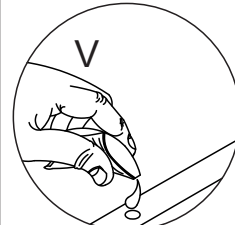
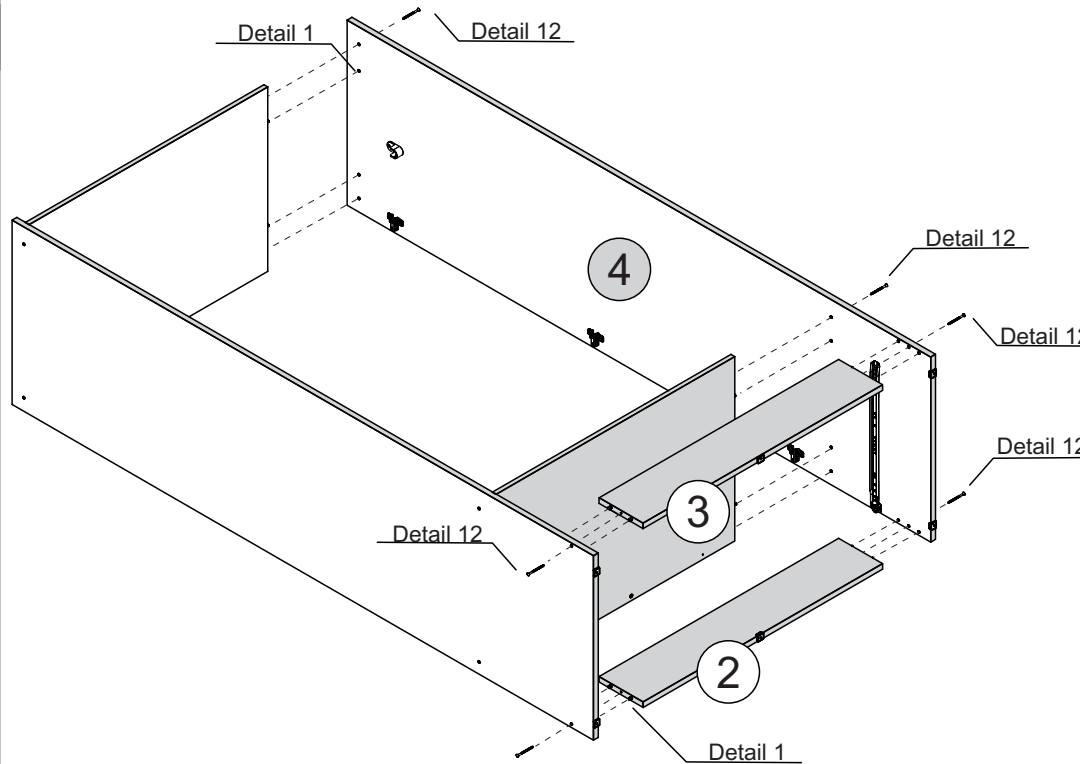
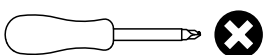
PARTS REQUIRED

- 2 - FRONT BASEBOARD x1
- 3 - BACK BASEBOARD x1
- 4 - LEFT SIDE PANEL x1

HARDWARE REQUIRED

- F  08
Ø4,0 x 50mm
- V  01

TOOLS REQUIRED



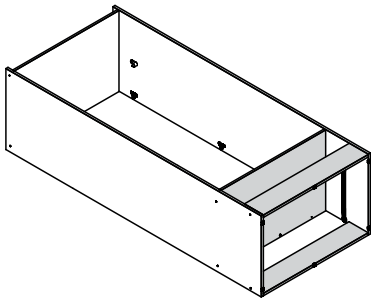
Detail 1

Detail 12

STEP 9

PARTS REQUIRED

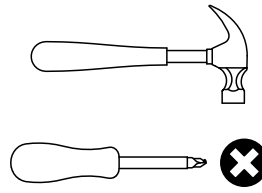
6 - BACK PANEL x2



HARDWARE REQUIRED

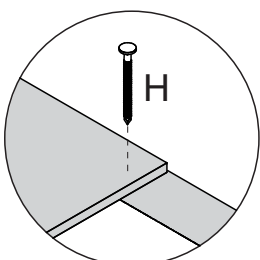
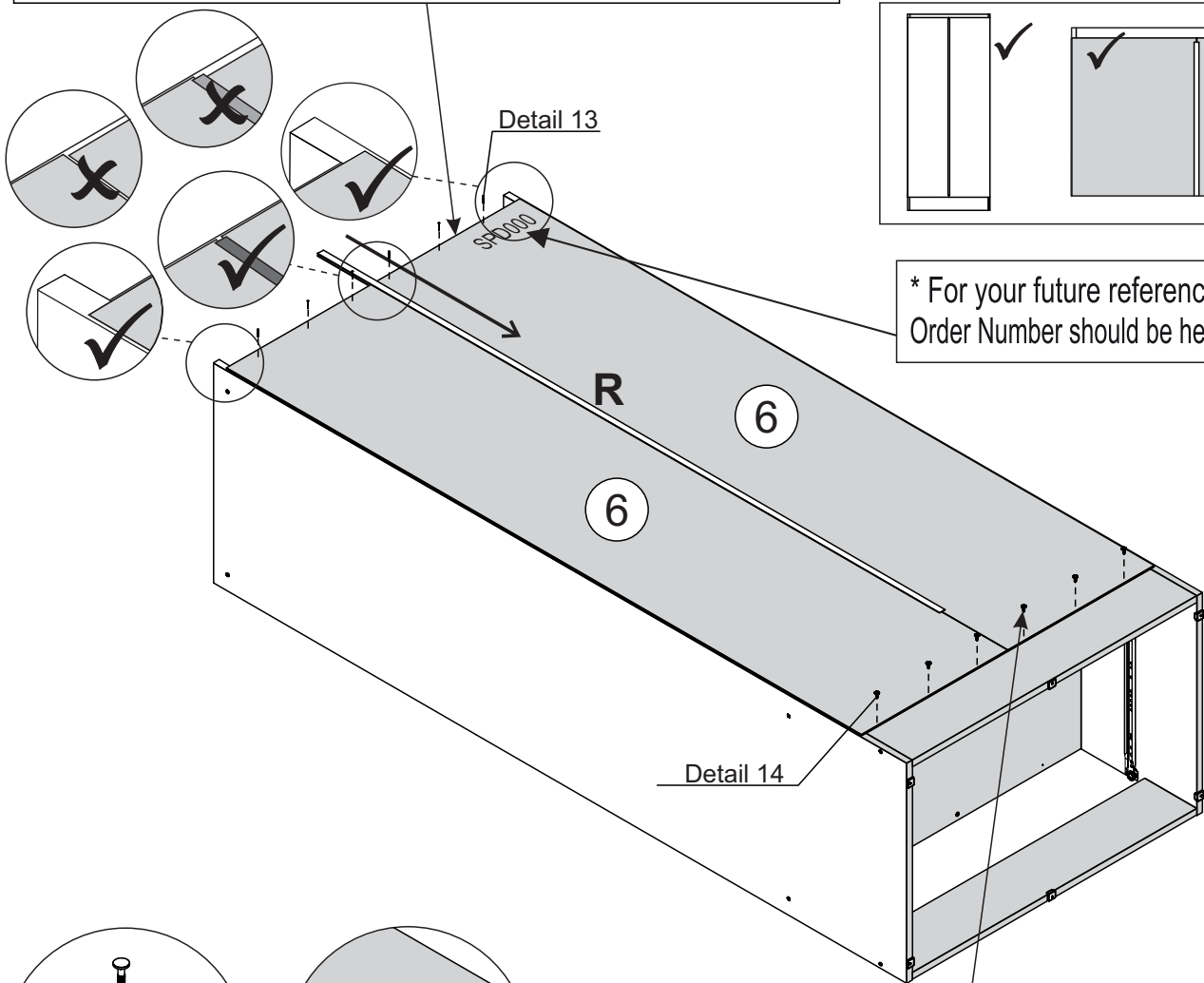
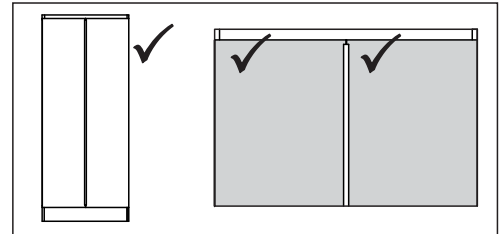
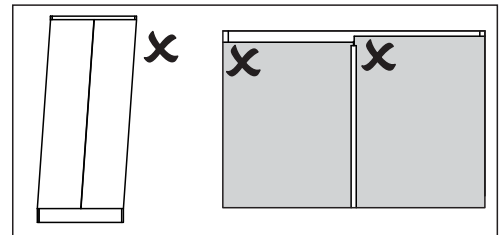
- B 06
Ø4,0 x 14mm
- H 06
10 x 10
- R 01

TOOLS REQUIRED

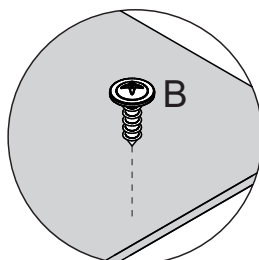


IMPORTANT PLEASE FOLLOW !

Please make sure Part 6 is lined up correctly at the top before placing fitting H into the panel as this can affect the alignment of the doors once assembled.



Detail 13



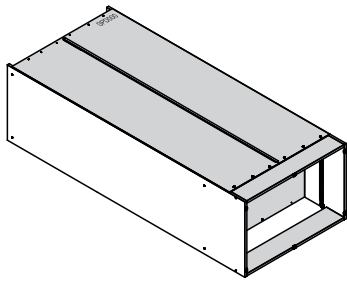
Detail 14

IMPORTANT PLEASE FOLLOW !

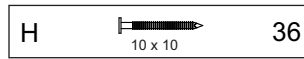
Please make sure Part 6 isn't overhanging at the sides before you screw fitting B into the plinth.

STEP 10

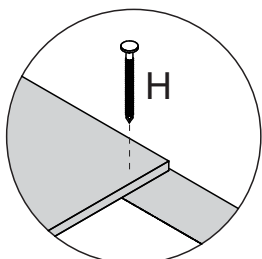
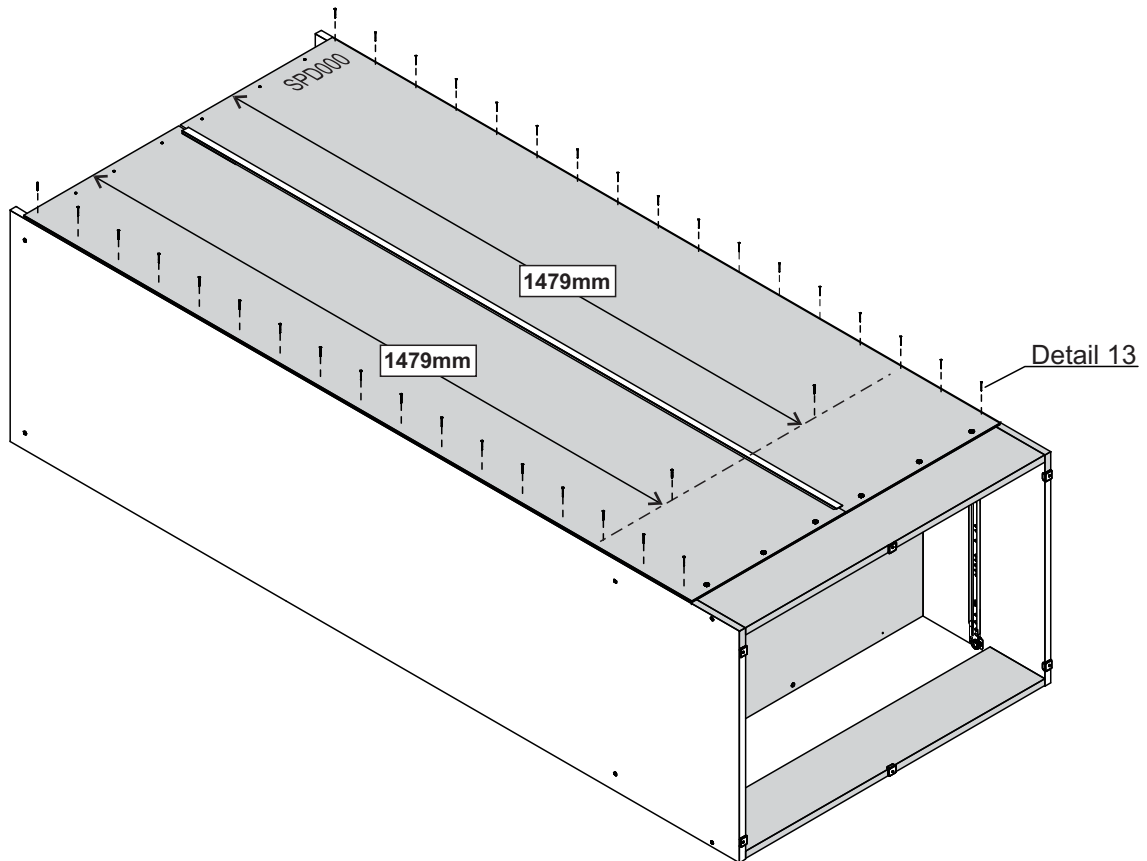
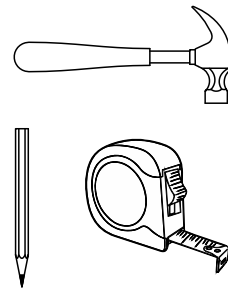
PARTS REQUIRED



HARDWARE REQUIRED



TOOLS REQUIRED

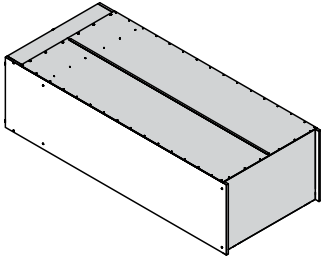


Detail 13

STEP 11

PARTS REQUIRED

7 - FRAME x1

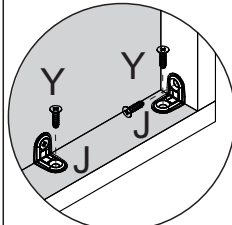
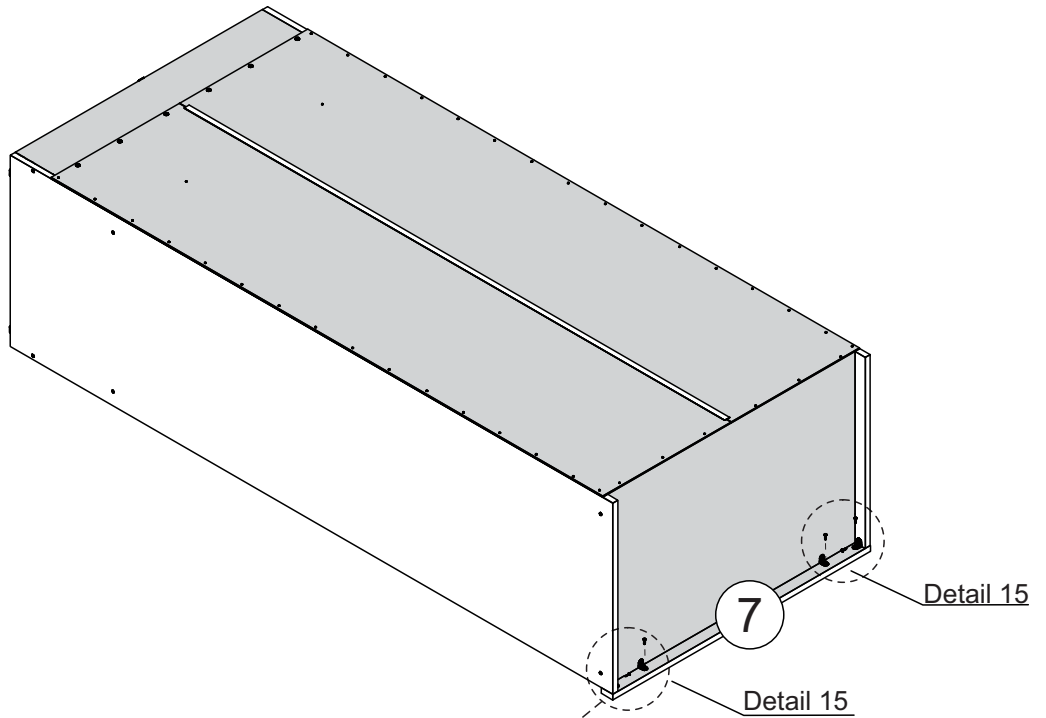
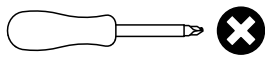


HARDWARE REQUIRED

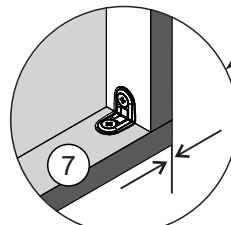
J  02

Y  06
Ø4,0 x 12mm

TOOLS REQUIRED



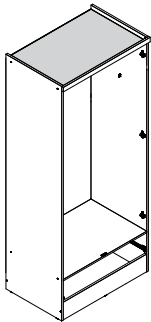
Detail 15



Align corners

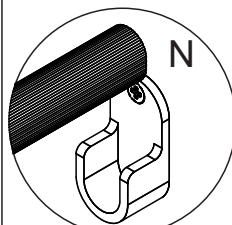
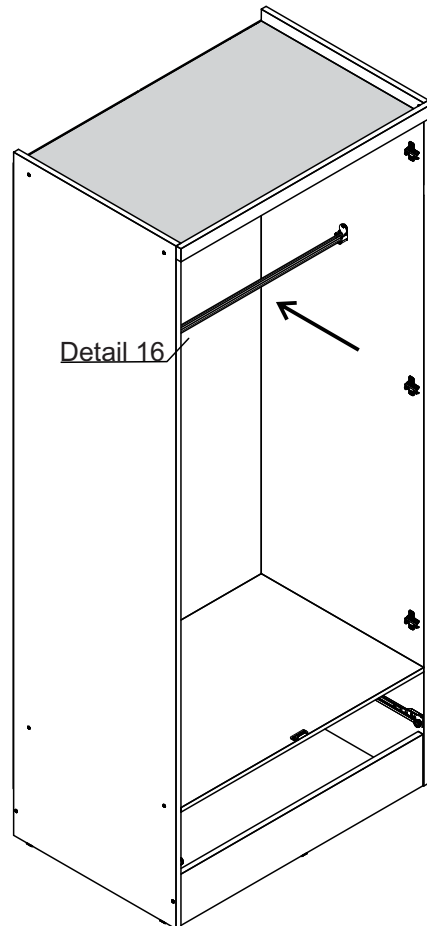
STEP 12

PARTS REQUIRED



HARDWARE REQUIRED

N  01



Detail 16

STEP 13


PARTS REQUIRED


9 - DRAWER SIDE x2

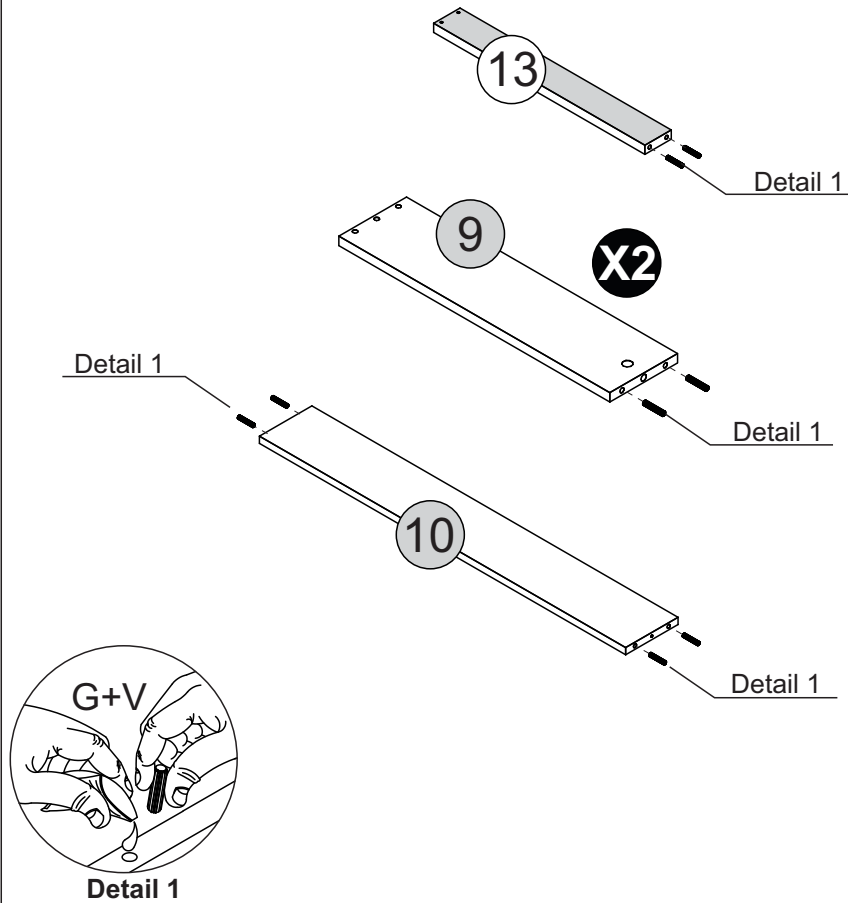
10 - DRAWER BACK PANEL x1

13 - DRAWER BOTTOM SUPPORT BAR X1

HARDWARE REQUIRED

G  10
Ø6,0 x 30mm

V  01
Glue

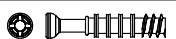


STEP 14

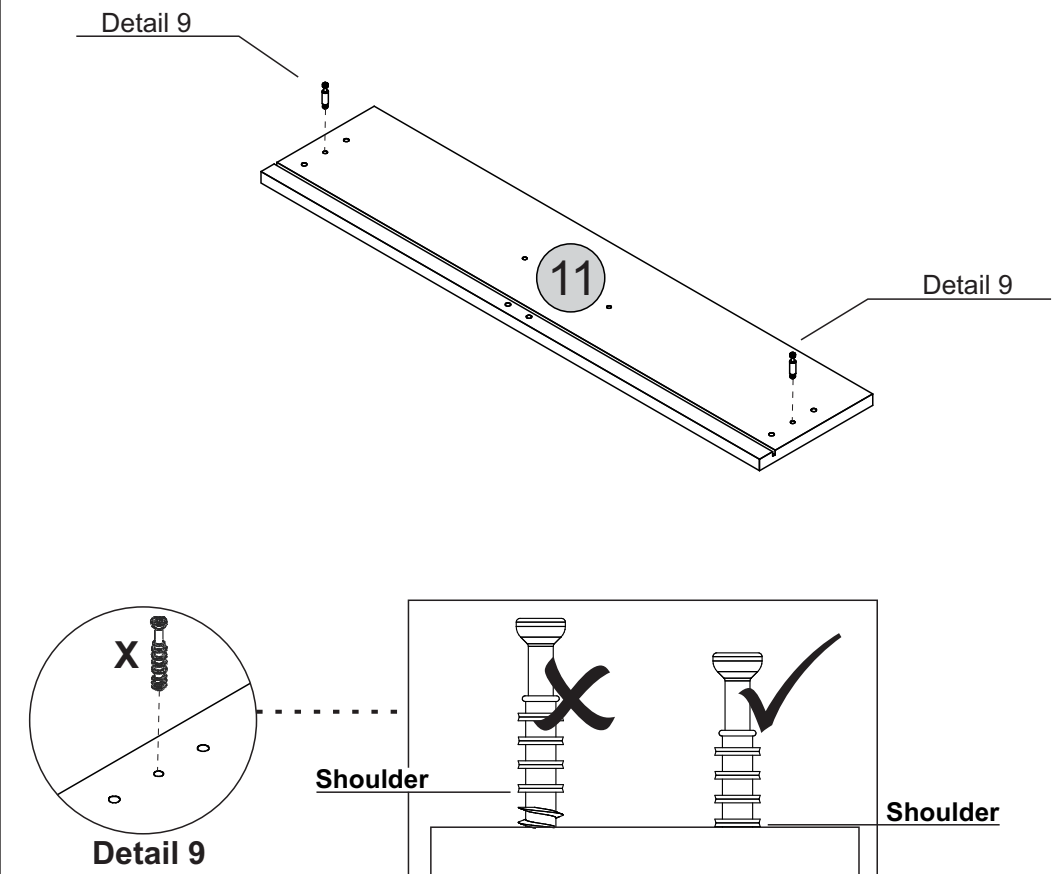
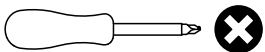
PARTS REQUIRED

11 - DRAWER FRONT x1

HARDWARE REQUIRED

X  02

TOOLS REQUIRED




STEP 15

PARTS REQUIRED

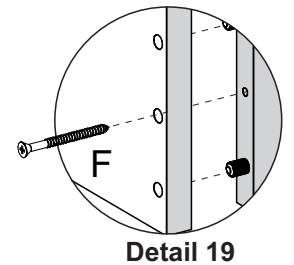
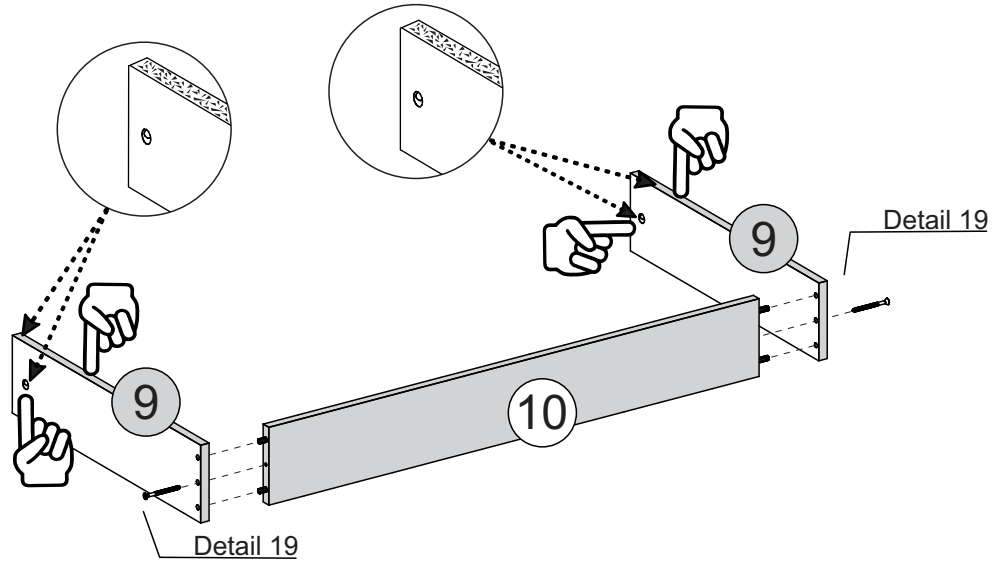
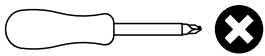
9 - DRAWER SIDE x2

10 - DRAWER BACK PANEL x2

HARDWARE REQUIRED

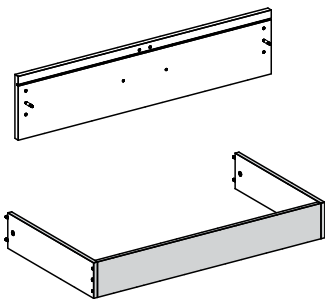
F  02
Ø4,0 x 50mm

TOOLS REQUIRED

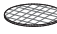



STEP 16

PARTS REQUIRED



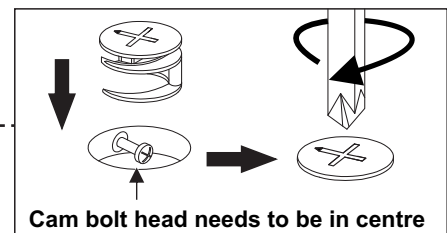
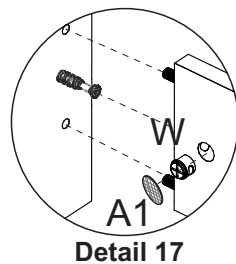
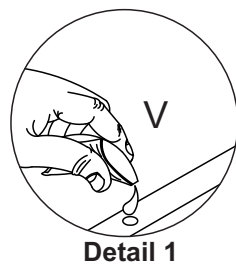
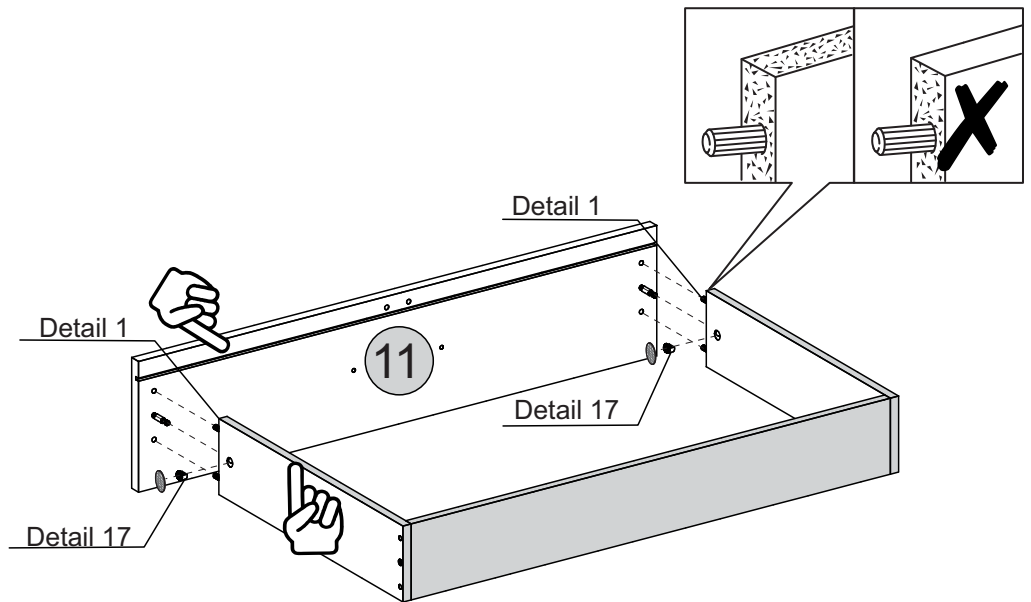
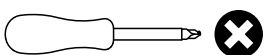
HARDWARE REQUIRED

A1  02

V  01

W  02

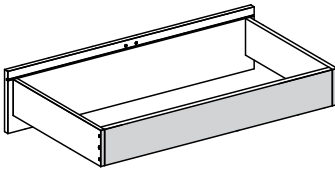
TOOLS REQUIRED



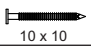
STEP 17

PARTS REQUIRED

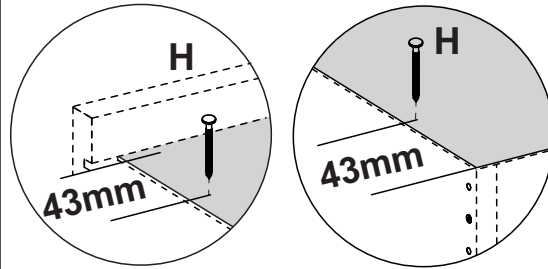
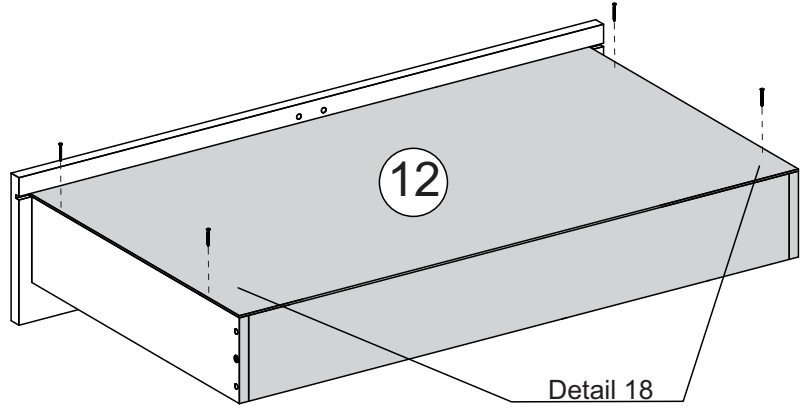
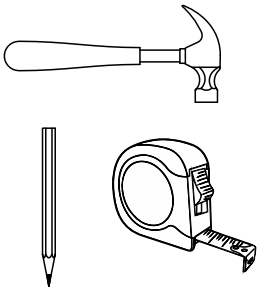
12 - DRAWER BOTTOM x1



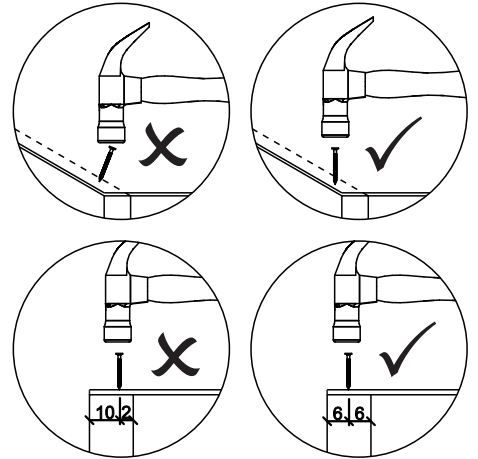
HARDWARE REQUIRED

H  04
10 x 10

TOOLS REQUIRED



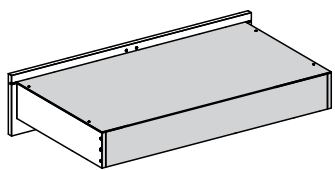
Detail 18



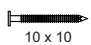
STEP 18

PARTS REQUIRED

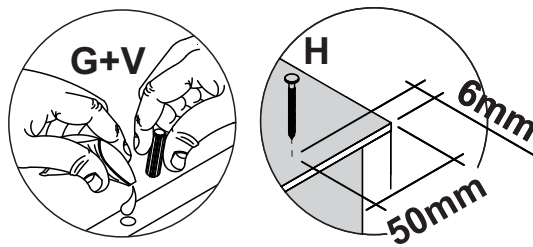
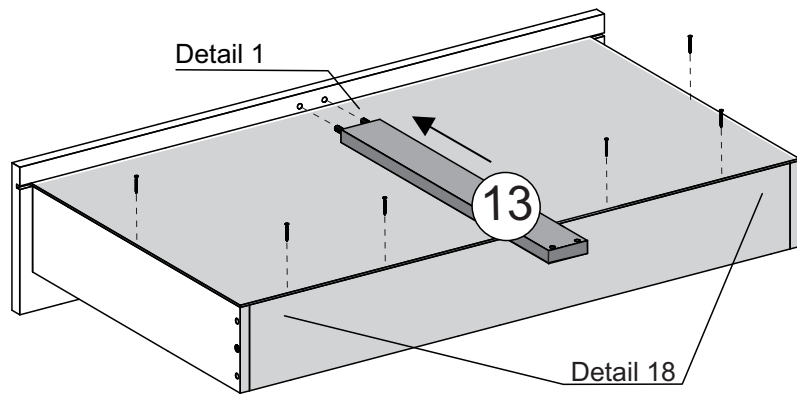
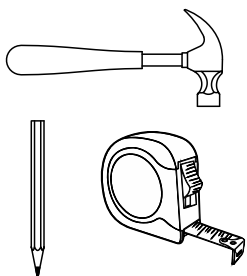
13 - DRAWER BOTTOM SUPPORT BAR x1



HARDWARE REQUIRED

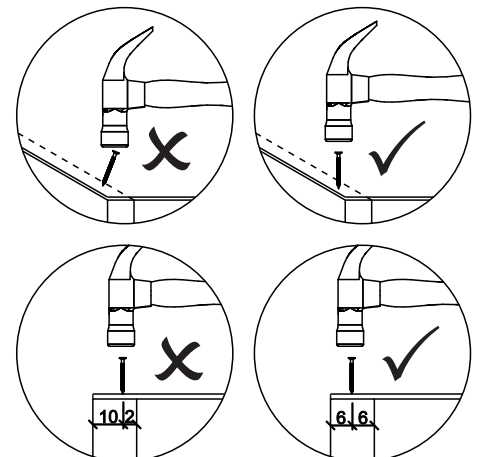
H  06
10 x 10

TOOLS REQUIRED



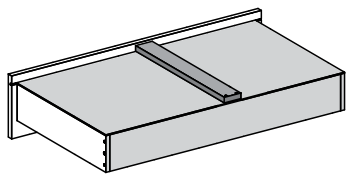
Detail 1

Detail 18

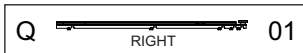
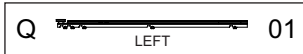
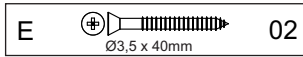
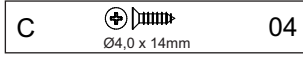


STEP 19

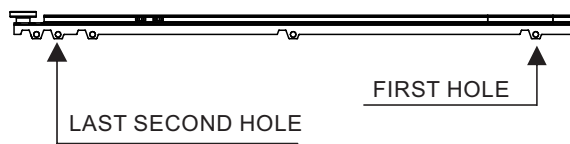
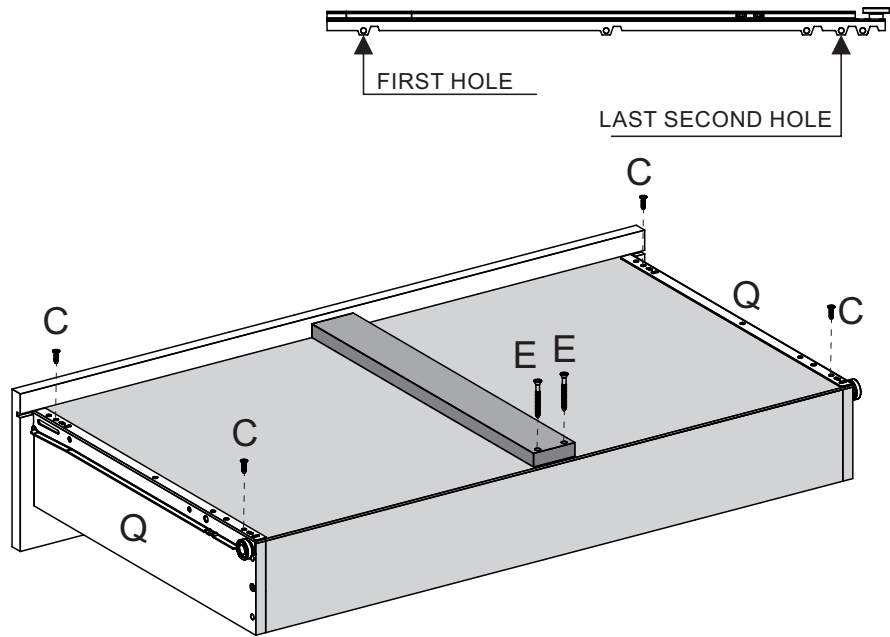
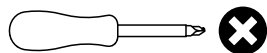
PARTS REQUIRED



HARDWARE REQUIRED



TOOLS REQUIRED

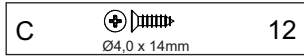


STEP 20

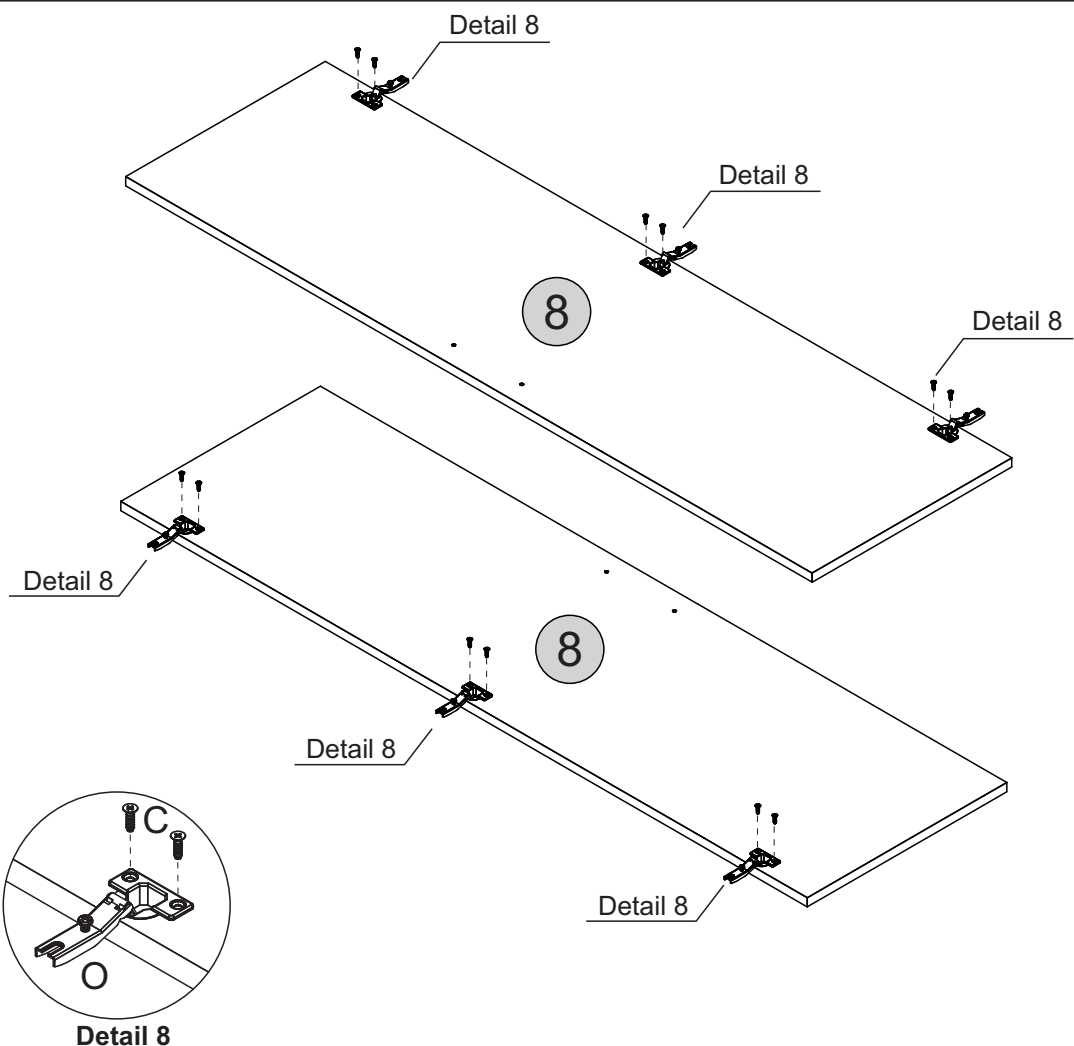
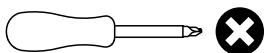
PARTS REQUIRED



HARDWARE REQUIRED



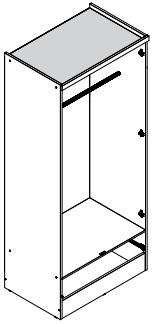
TOOLS REQUIRED



STEP 21

PARTS REQUIRED

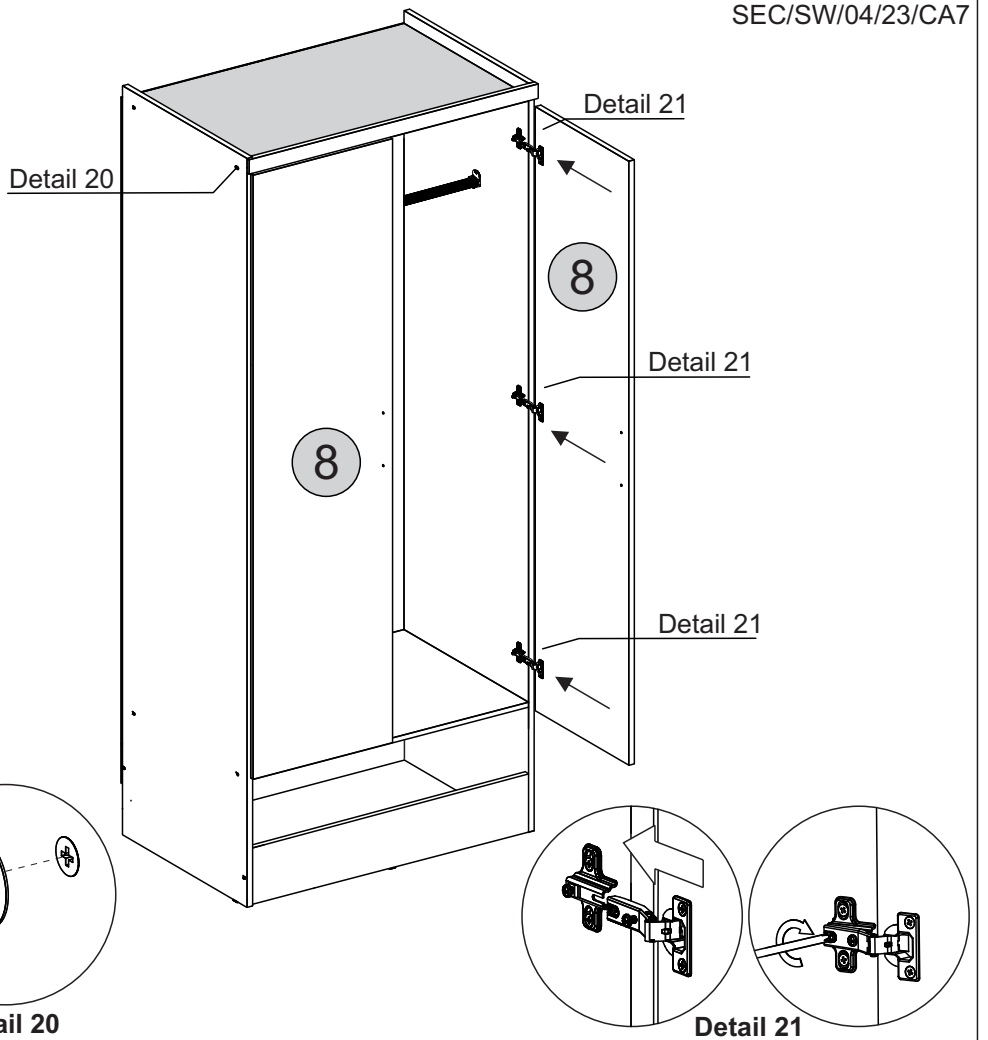
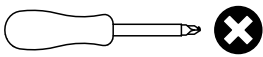
8 - DOOR x2



HARDWARE REQUIRED

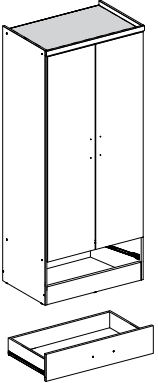
U  12

TOOLS REQUIRED

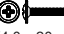


STEP 22

PARTS REQUIRED

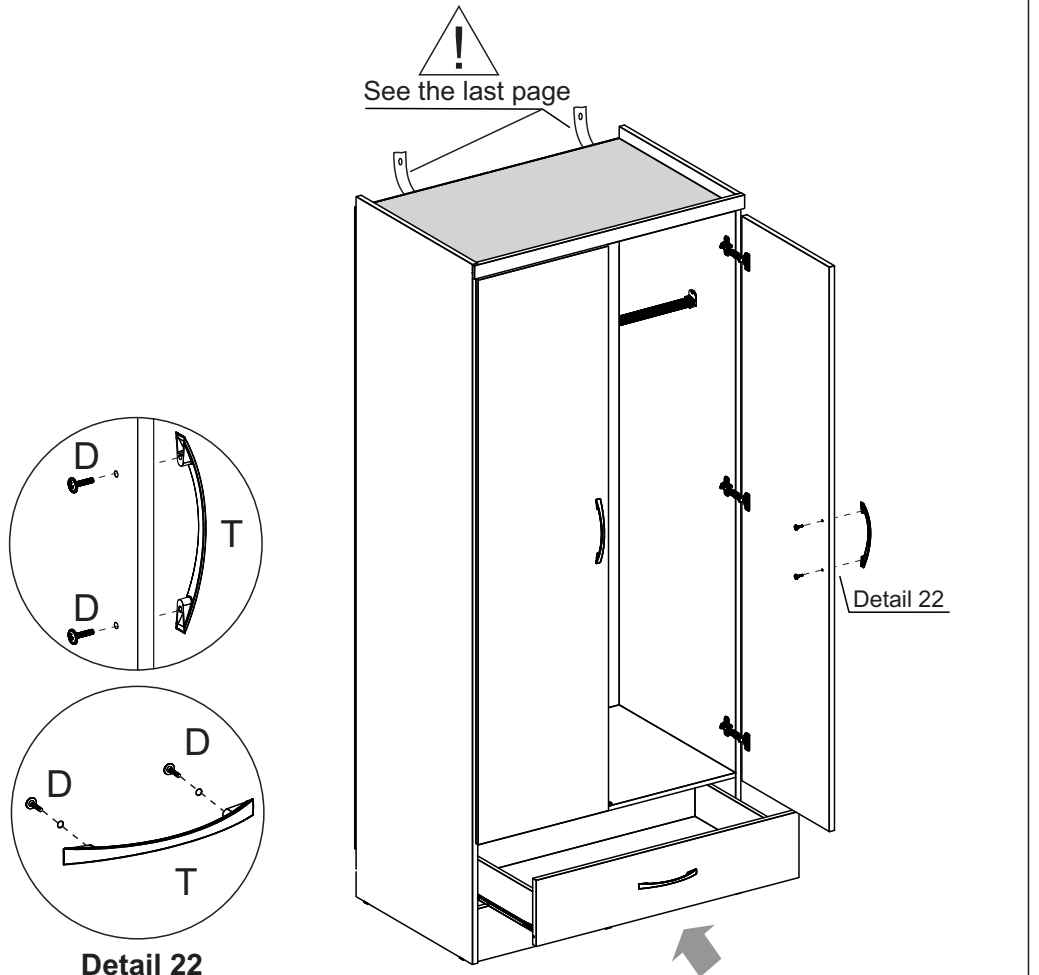
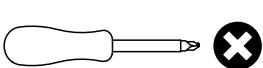


HARDWARE REQUIRED

D  Ø4,0 x 20mm 06

T  03

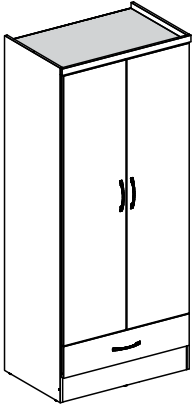
TOOLS REQUIRED



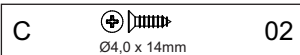
STEP 23

TIP
If desired, after assembly use an alcohol cleaner to erase the number printed on the parts.

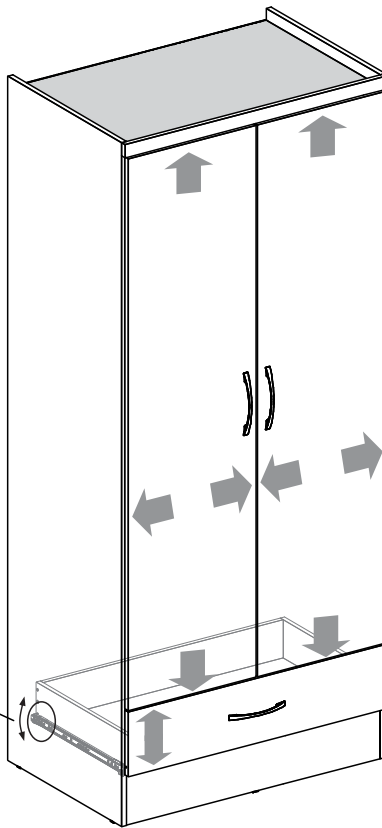
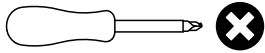
PARTS REQUIRED



HARDWARE REQUIRED

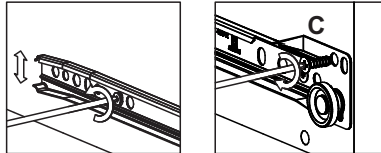


TOOLS REQUIRED

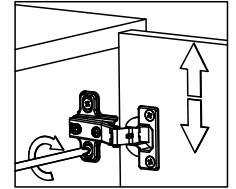


Detail 23

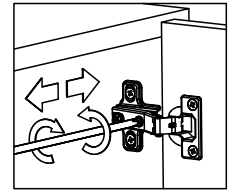
Drawer Adjustment Drawer Lock



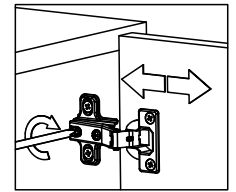
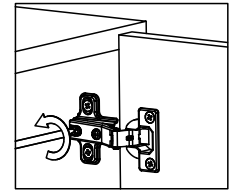
Height Adjustment



Internal Adjustment



Depth Adjustment

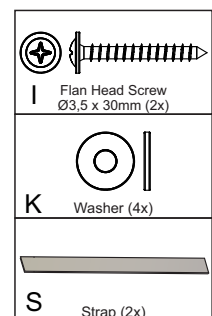
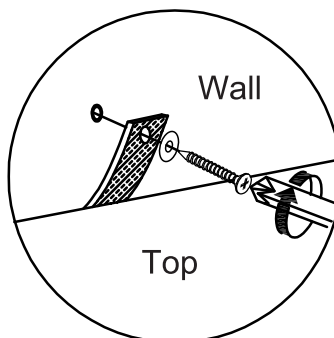
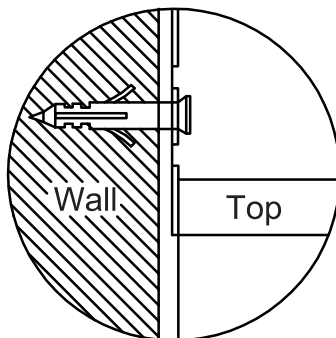
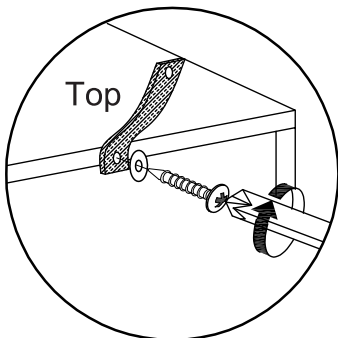


WARNING

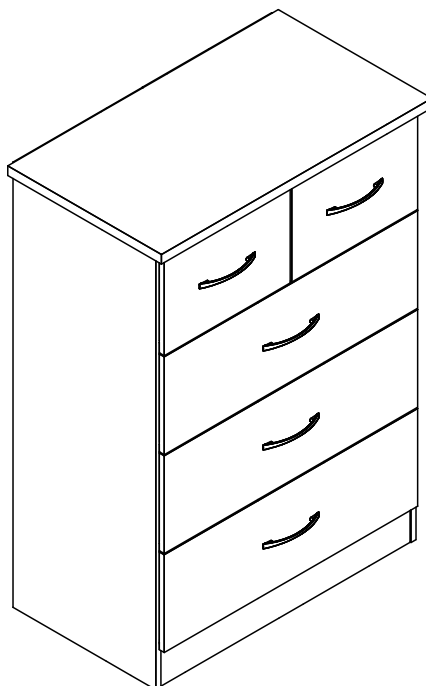
Serious or fatal injuries can occur from furniture tipping over. To prevent the furniture from tipping over we recommend that it is permanently fixed to the wall.

Wall fixings are not supplied with this product as different wall materials require different types of fixing devices.

Please make sure you use fixings suitable for the walls in your home.



NEVADA 3+2 DRAWER CHEST ASSEMBLY INSTRUCTIONS

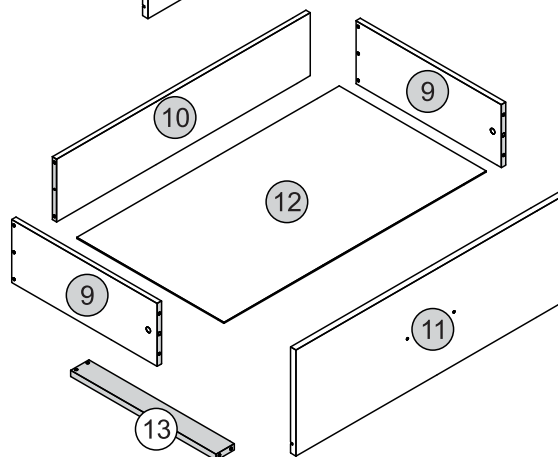
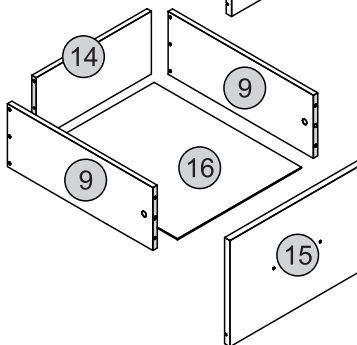
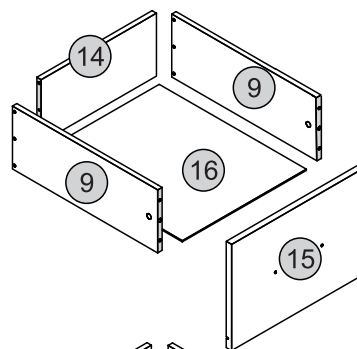
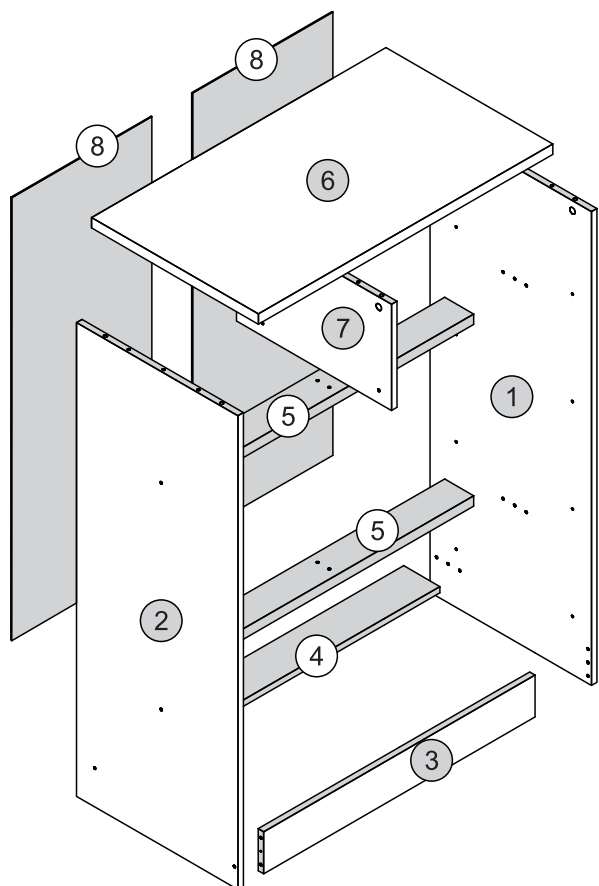


IMPORTANT FOR DOMESTIC USE ONLY

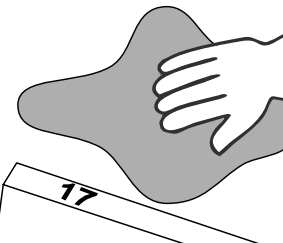
PLEASE READ BEFORE YOU CONTINUE FURTHER

CARE AND MAINTENANCE

- After unpacking this product please keep the original packaging in case it needs to be returned for any reason.
- Please ensure all fittings and parts are present before commencing with assembly.
 - Never drag or push products as this could cause damage to the joints making it inferior.
 - We strongly recommend that you keep children away from your work area.
 - We recommend that you lay a blanket or sheet on the floor to avoid damage to both your floor and the product.
 - Assemble this product as close to its final position as possible.
 - Do not place this product next to a radiator or in direct sunlight.
 - Do not drag or push items across your high gloss furniture as this may cause the surface to scratch
 - Wood is a natural product and may expand if subjected to damp and may shrink or crack if subjected to heat. Therefore it is recommended that room temperature is maintained, with no sudden temperature fluctuations.
 - Make sure any spillage is wiped off immediately.
 - Do not place hot or chilled items directly on to the surface, use a place mat or marking will occur.
 - For general cleaning use a soft cotton or micro fibre cloth, and do not use detergents of any kind.
 - From time to time it may be necessary to tighten fittings, regular inspections should be carried out.
 - Do not place on a wet or damp floor as staining may occur to your floor.



After assembly use an alcohol based product/cleaner to erase the numbers printed on the parts that are visual.

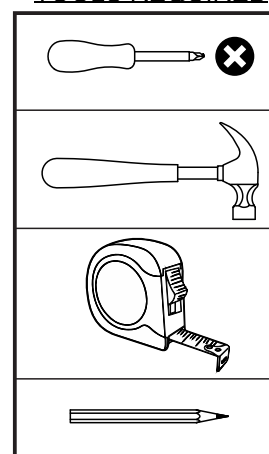


PARTS LIST


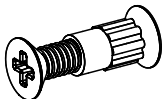
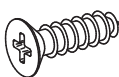
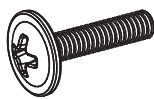
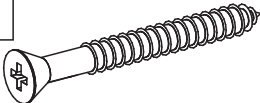
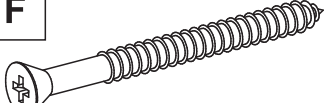






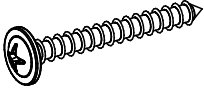
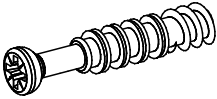


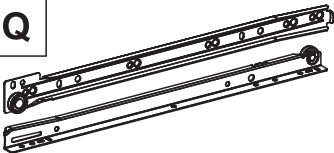
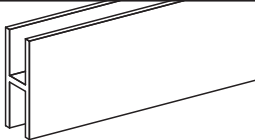


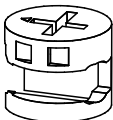
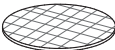
Please Note:
The below parts have all been stamped with the part number to help identify them during assembly.

Part Number	Part Description	Quantity	Carton
01	Right Side Panel	1	1/2
02	Left Side Panel	1	1/2
03	Front Baseboard	1	1/2
04	Back Baseboard	1	1/2
05	Crossbar	2	2/2
06	Top Panel	1	2/2
07	Division Panel	1	1/2
08	Back Panel	1	1/2
09	Drawer Side	10	1/2
10	Large Drawer Back Panel	3	1/2
11	Large Drawer Front	3	2/2
12	Large Drawer Bottom	3	2/2
13	Drawer Bottom Support Bar	3	1/2
14	Small Drawer Back Panel	2	1/2
15	Small Drawer Front	2	2/2
16	Small Drawer Bottom	2	1/2

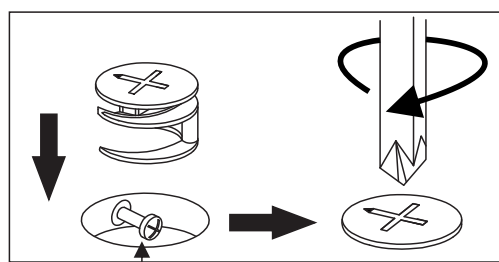
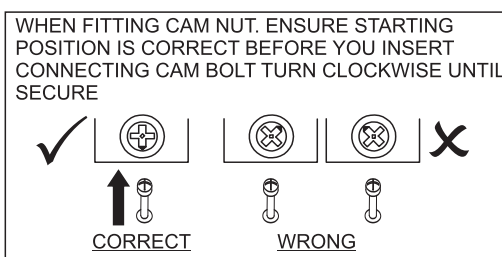
TOOLS REQUIRED



FITTINGS LIST

<p>A</p>  <p>Flat Head Screw 2/+ Ø6,0 x 10mm (16x)</p>	<p>B</p>  <p>Double Flat Head Screw 1/+ Ø4,0 x 18mm (2x)</p>	<p>C</p>  <p>Flat Head Screw 2/+ Ø4,0 x 14mm (30x)</p>	<p>D</p>  <p>Flan Head Screw 2/+ Ø4,0 x 20mm (10x)</p>
<p>E</p>  <p>Flat Head Screw 1/+ Ø3,5 x 40mm (6x)</p>	<p>F</p>  <p>Flat Head Screw 2/+ Ø4,0 x 50mm (19x)</p>	<p>G</p>  <p>2/+ Dowel Ø6,0 x 30mm (69x)</p>	<p>H</p>  <p>2/+ Nail 10 x 10 (84x)</p>
<p>I</p>  <p>1/+ Back Panel Bracket (2x)</p>	<p>J</p>  <p>2/+ Cam Nut Ø12mm (10x)</p>	<p>K</p>  <p>1/+ Washer (4x)</p>	<p>L</p>  <p>1/+ Plastic Foot (6x)</p>
<p>M</p>  <p>Flan Head Screw 1/+ Ø3,5 x 30mm (2x)</p>	<p>N</p>  <p>2/+ Cam Bolt (16x)</p>	<p>O</p>  <p>2/+ Hole Plugs (8x)</p>	<p>P</p>  <p>Glue (2x)</p>
<p>Q</p>  <p>Drawer Runners (5x)</p>	<p>R</p>  <p>Back Panel Strip (1x)</p>	<p>S</p>  <p>Strap (2x)</p>	<p>T</p>  <p>Handle (5x)</p>
<p>U</p>  <p>1/+ Cam Nut Ø15mm (6x)</p>	<p>V</p>  <p>2/+ Hole Plugs (10x)</p>		

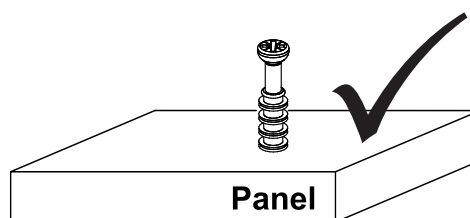
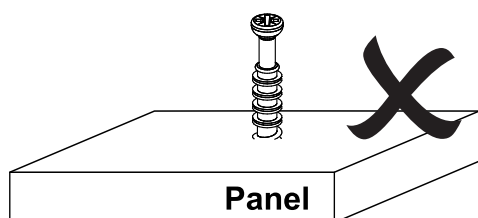
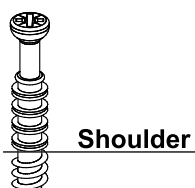
TIPS FOR FITTINGS CAM-LOCKS



Cam bolt head needs to be in centre

CAMBOLT

Tighten until shoulder in flush with panel. Do not overtighten or undertighten (see example beside)

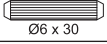


STEP 1

PARTS REQUIRED

2 - LEFT SIDE PANEL x1

HARDWARE REQUIRED

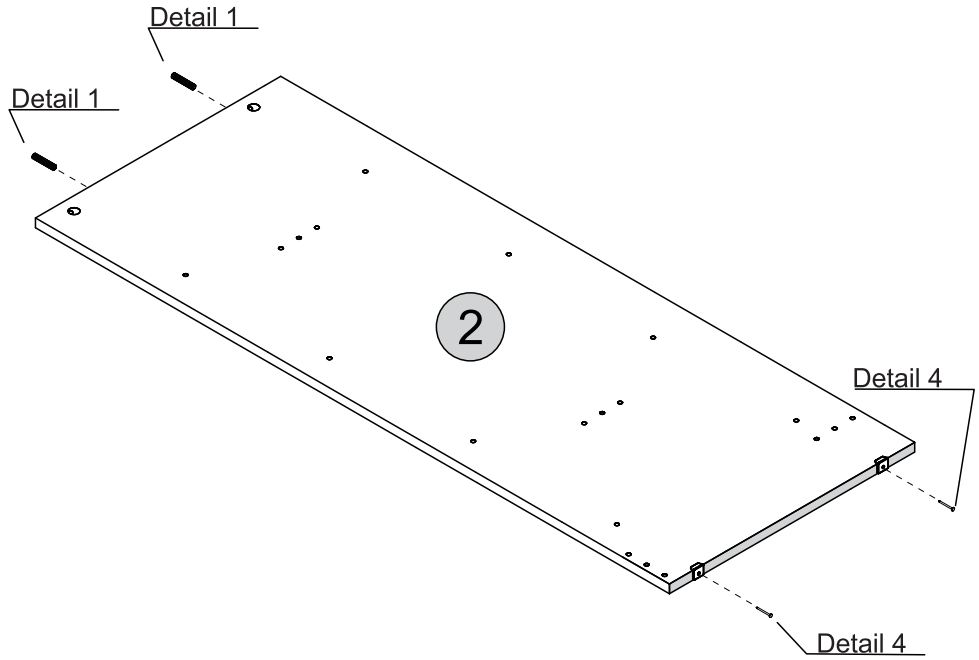
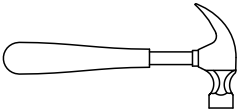
G  02
Ø6 x 30

H  02
10 x 10

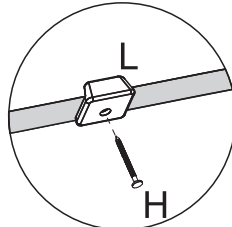
L  02

P  01
GLUE

TOOLS REQUIRED



Detail 1



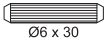
Detail 4

STEP 2

PARTS REQUIRED

1 - RIGHT SIDE PANEL x1

HARDWARE REQUIRED

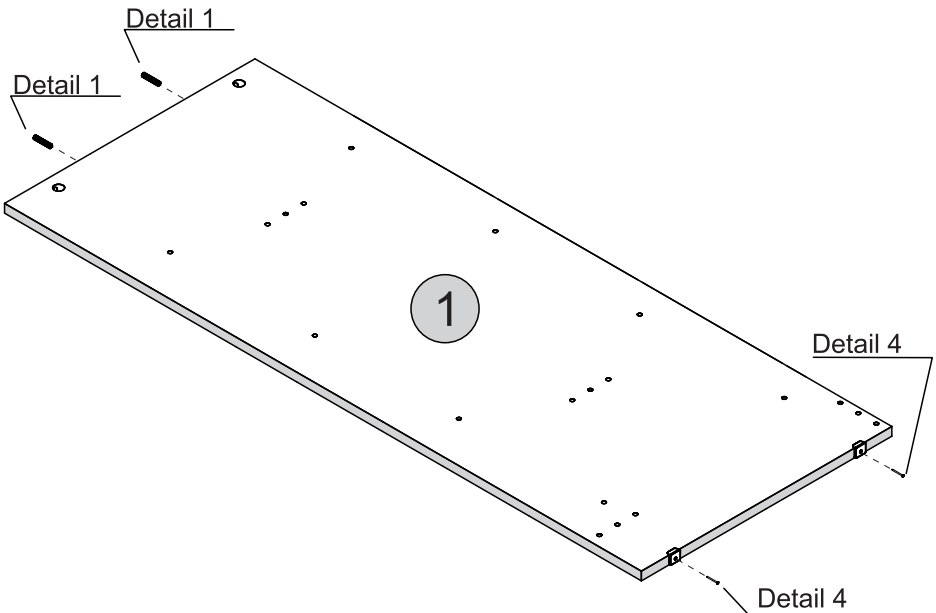
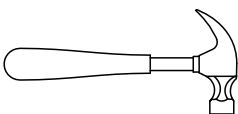
G  02
Ø6 x 30

H  02
10 x 10

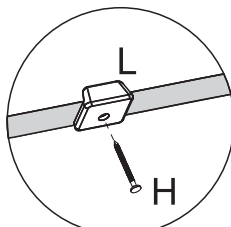
L  02

P  01
GLUE

TOOLS REQUIRED



Detail 1



Detail 4


STEP 3

PARTS REQUIRED

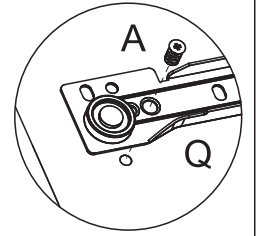
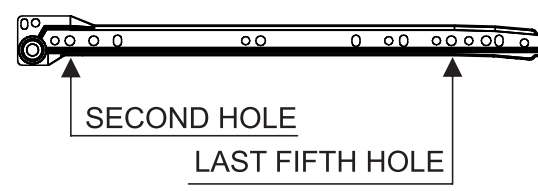
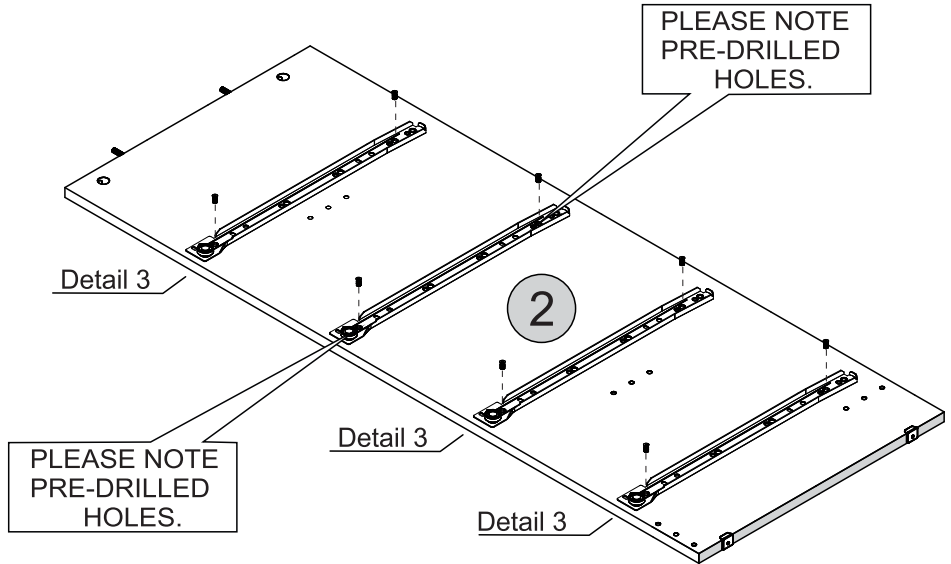
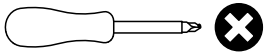
2 - LEFT SIDE PANEL x1

HARDWARE REQUIRED

A  Ø6 x 10 08

Q  LEFT 04

TOOLS REQUIRED




Detail 3


STEP 4

PARTS REQUIRED

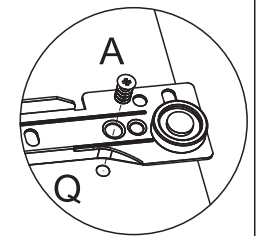
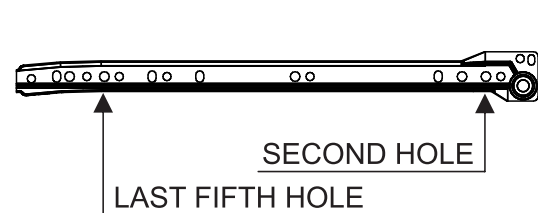
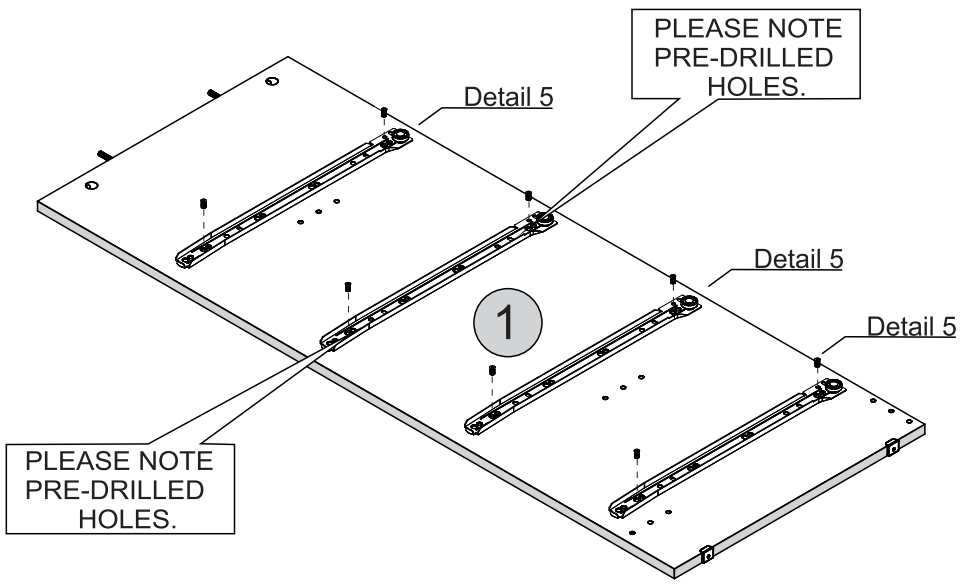
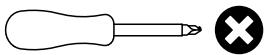
1 - RIGHT SIDE PANEL x1

HARDWARE REQUIRED

A  Ø6 x 10 08

Q  RIGHT 04

TOOLS REQUIRED



Detail 5

STEP 5

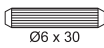
PARTS REQUIRED

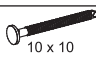
3 - FRONT BASEBOARD x1


4 - BACK BASEBOARD x1

5 - CROSSBAR x2

HARDWARE REQUIRED

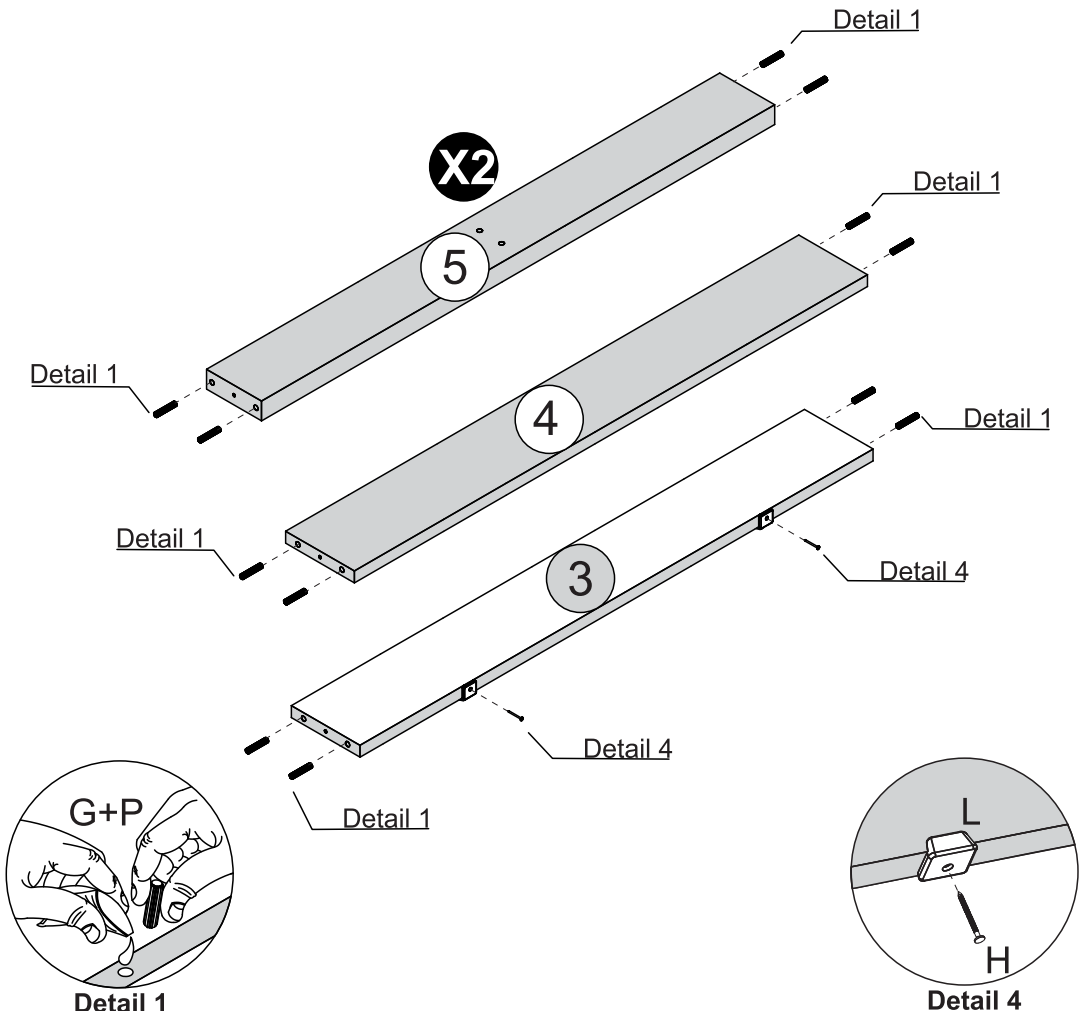
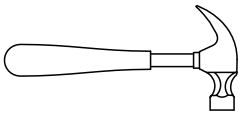
G  16
Ø6 x 30

H  02
10 x 10

L  02

P  01
GLUE

TOOLS REQUIRED

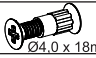


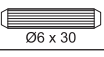
STEP 6

PARTS REQUIRED


7 - DIVISION PANEL x1

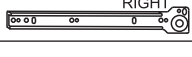
HARDWARE REQUIRED

B  02
Ø4,0 x 18mm

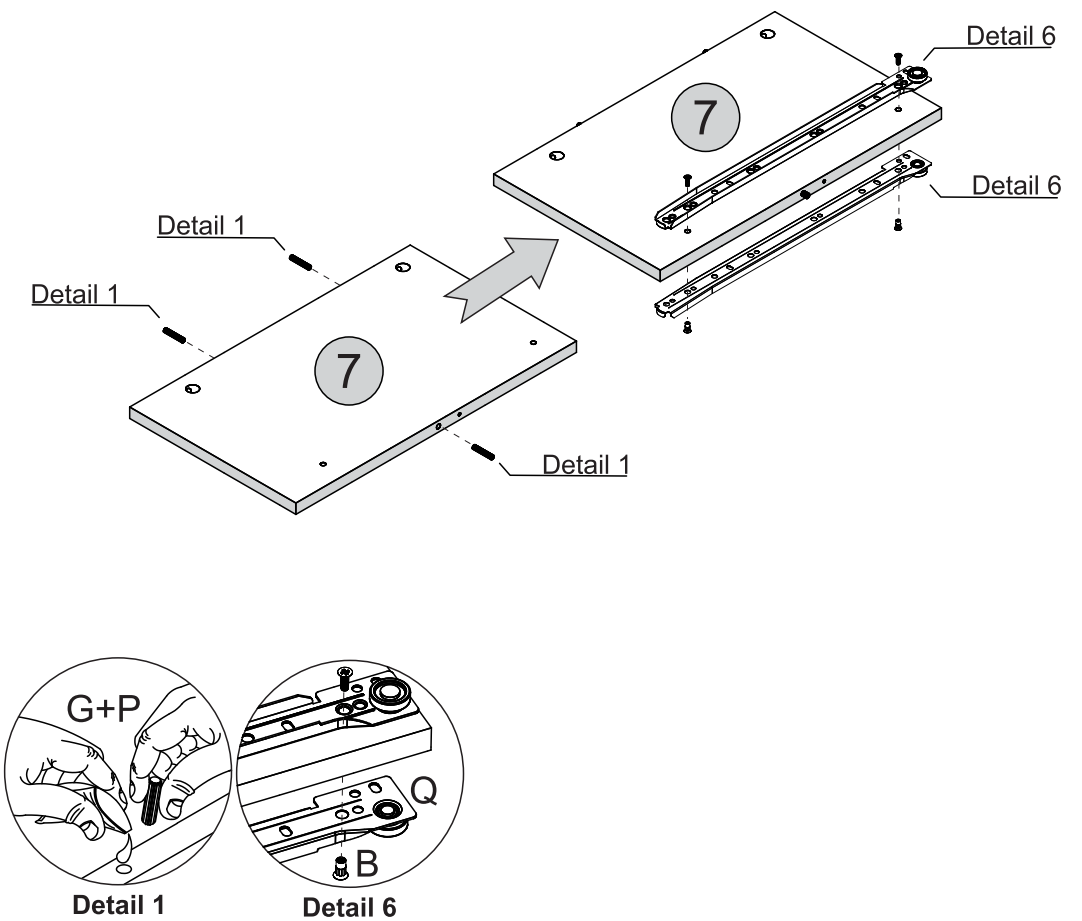
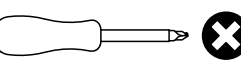
G  03
Ø6 x 30

P  01
GLUE

Q  01
LEFT

Q  01
RIGHT

TOOLS REQUIRED



STEP 7

PARTS REQUIRED

1 - RIGHT SIDE PANEL x1

3 - FRONT BASEBOARD x1

4 - BACK BASEBOARD x1

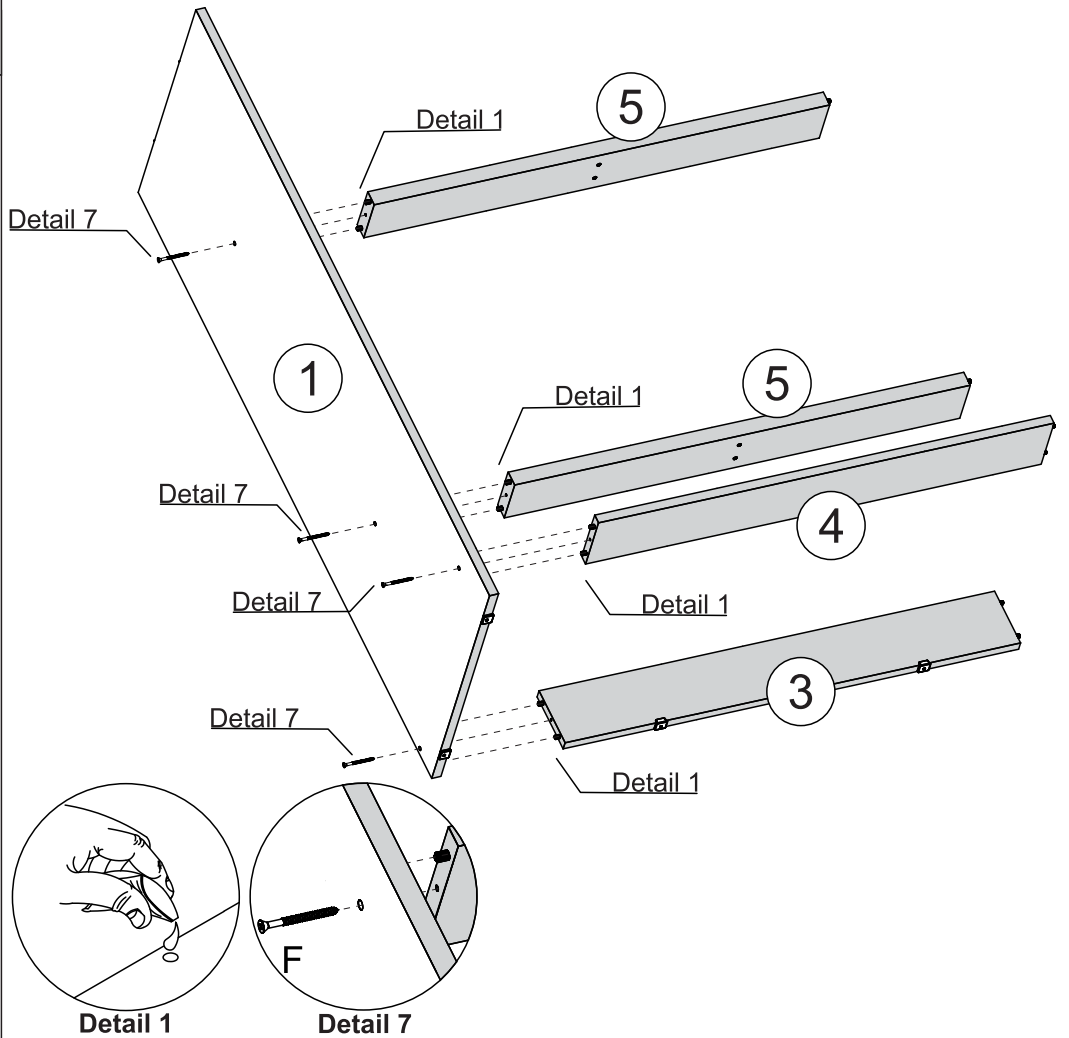
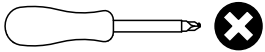
5 - CROSSBAR x2

HARDWARE REQUIRED

F  04
Ø4 x 50

P  01
GLUE

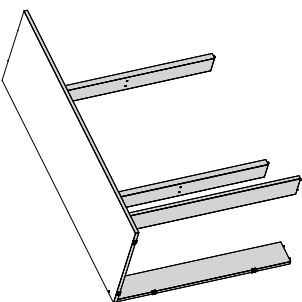
TOOLS REQUIRED



STEP 8

PARTS REQUIRED

2 - LEFT SIDE PANEL x1

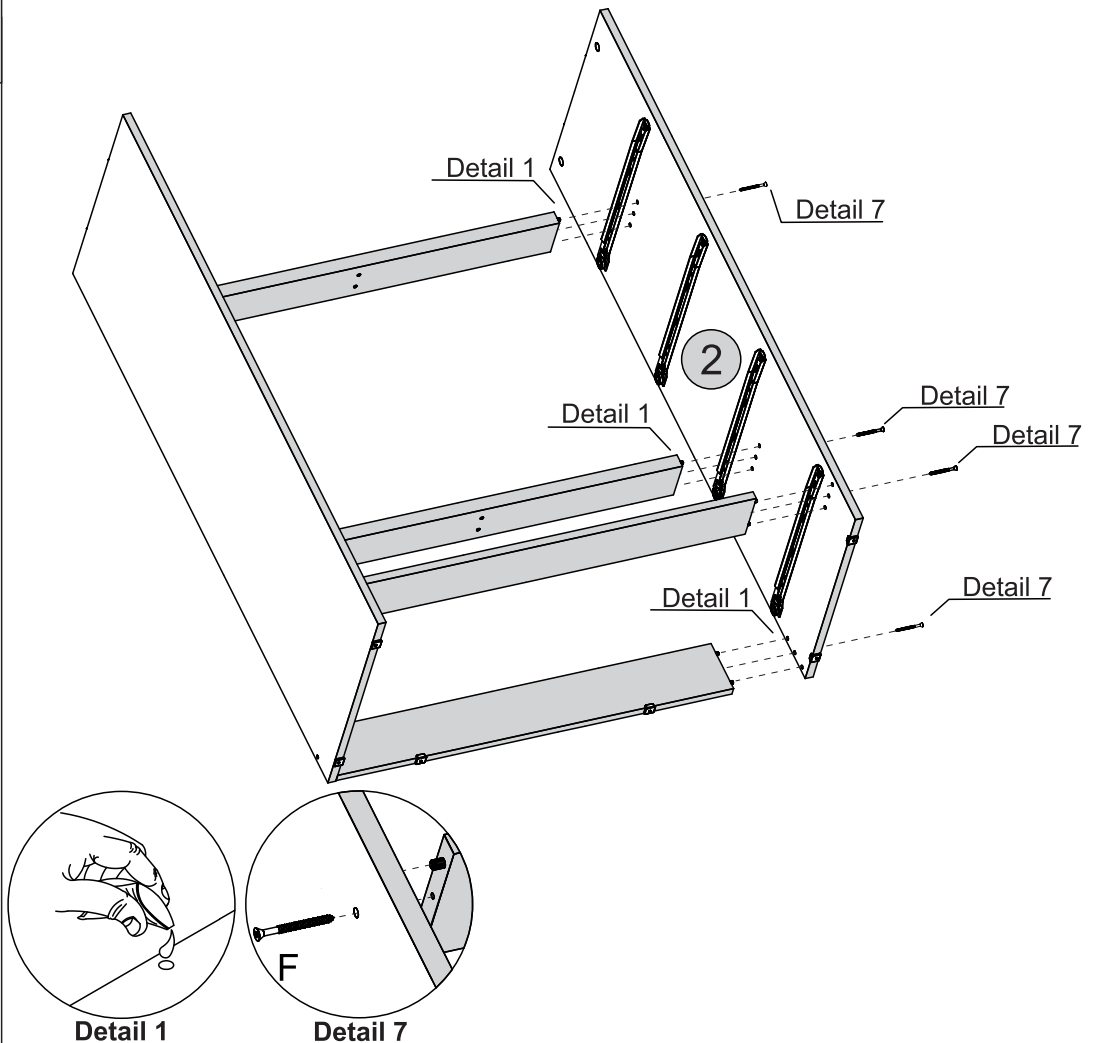
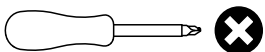


HARDWARE REQUIRED

F  04
Ø4 x 50

P  01
GLUE

TOOLS REQUIRED



STEP 9

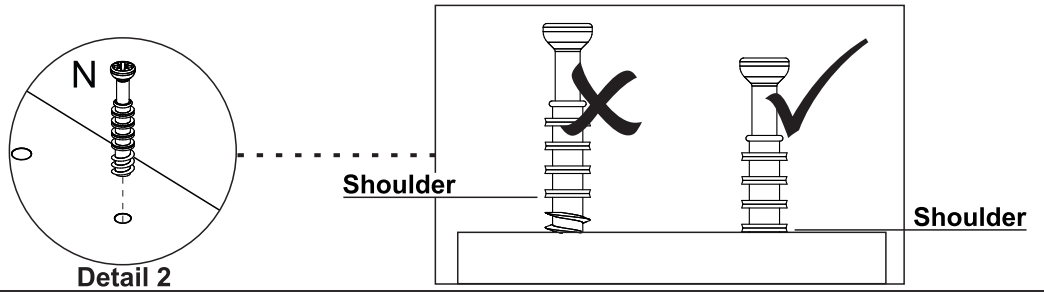
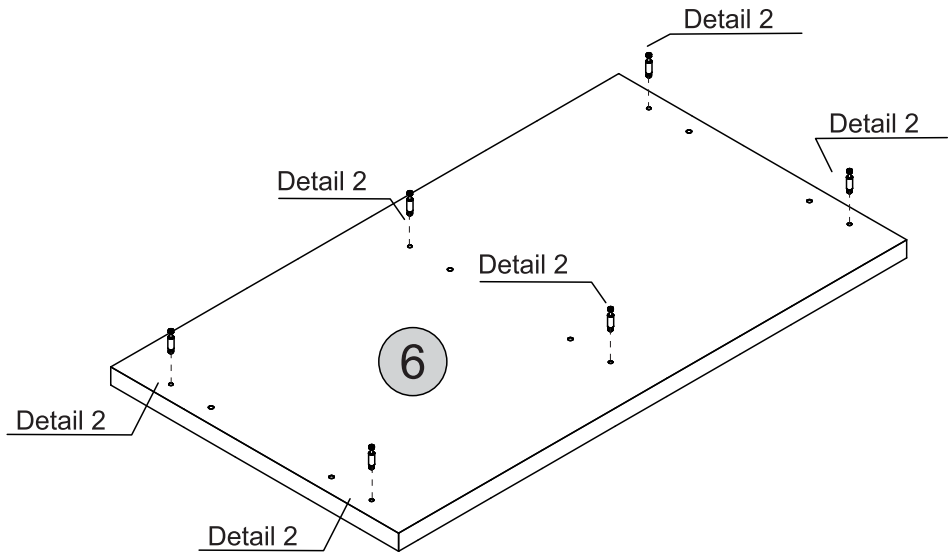
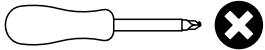
PARTS REQUIRED

6 - TOP PANEL x1

HARDWARE REQUIRED

N  06

TOOLS REQUIRED



STEP 10

PARTS REQUIRED

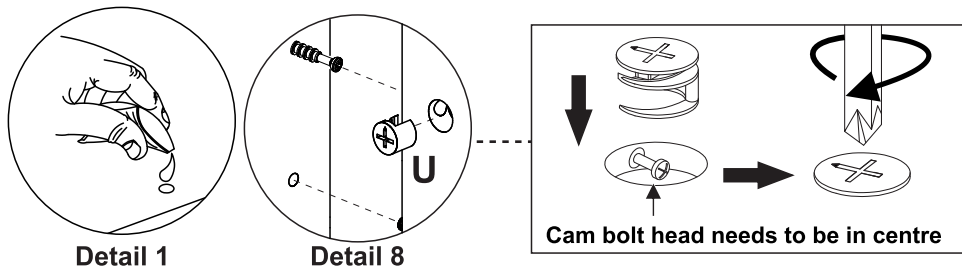
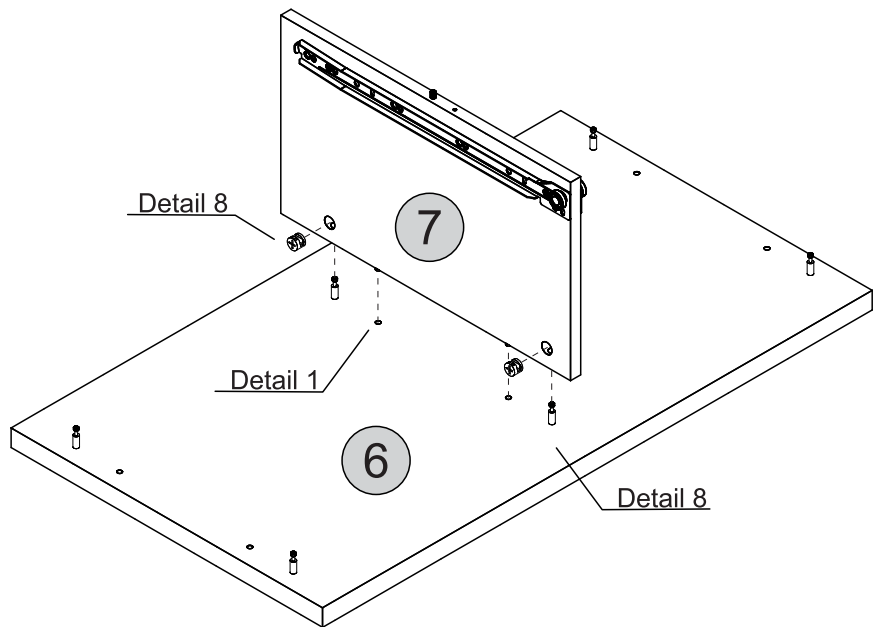
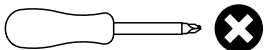
6 - TOP PANEL x1

7 - DIVISION PANEL x1

HARDWARE REQUIRED

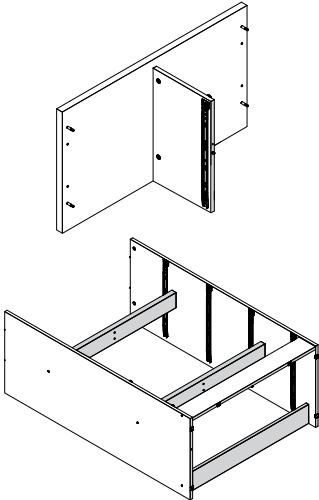
U  02

TOOLS REQUIRED

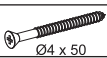




STEP 11

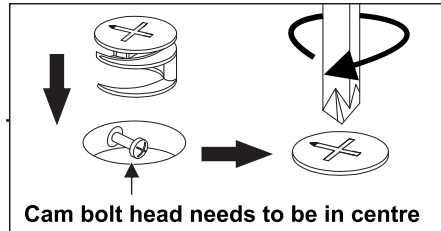
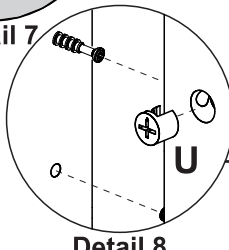
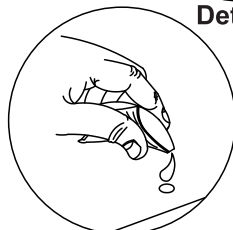
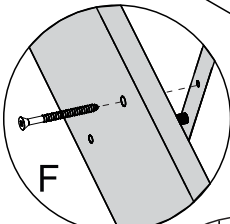
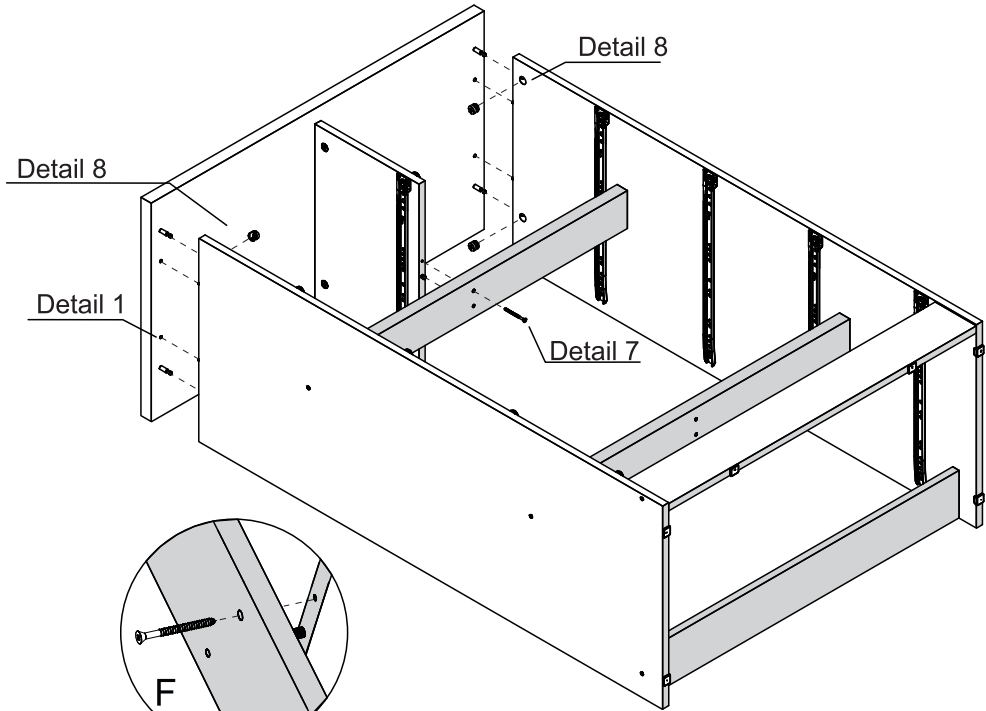
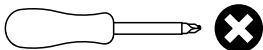
PARTS REQUIRED



HARDWARE REQUIRED

F		01
P		01
U		04

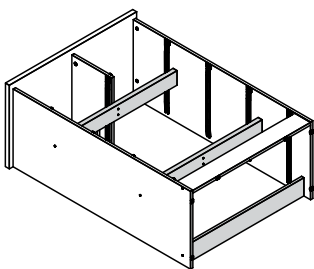
TOOLS REQUIRED



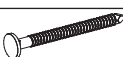


STEP 12

PARTS REQUIRED

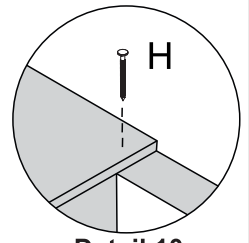
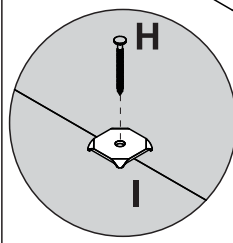
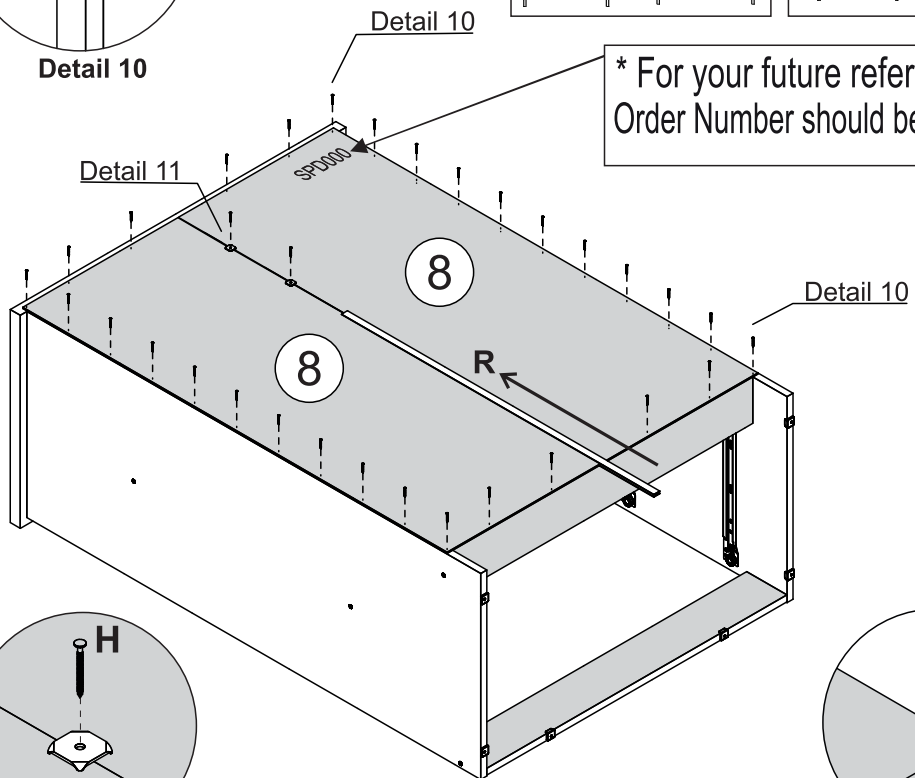
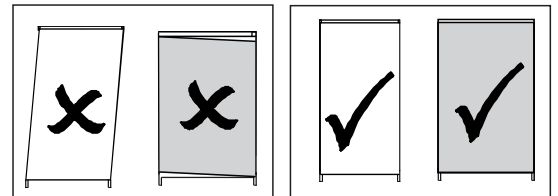
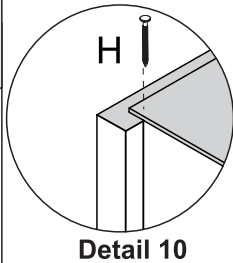
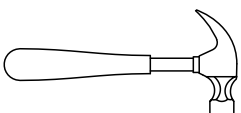
8 - BACK PANEL	x2
----------------	----



HARDWARE REQUIRED

H		32
I		02
R		01

TOOLS REQUIRED



STEP 13

PARTS REQUIRED

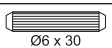
9 - DRAWER SIDE x10

10 - LARGE DRAWER BACK PANEL x3

13 - DRAWER BOTTOM SUPPORT BAR x3

14 - SMALL DRAWER BACK PANEL x2

HARDWARE REQUIRED

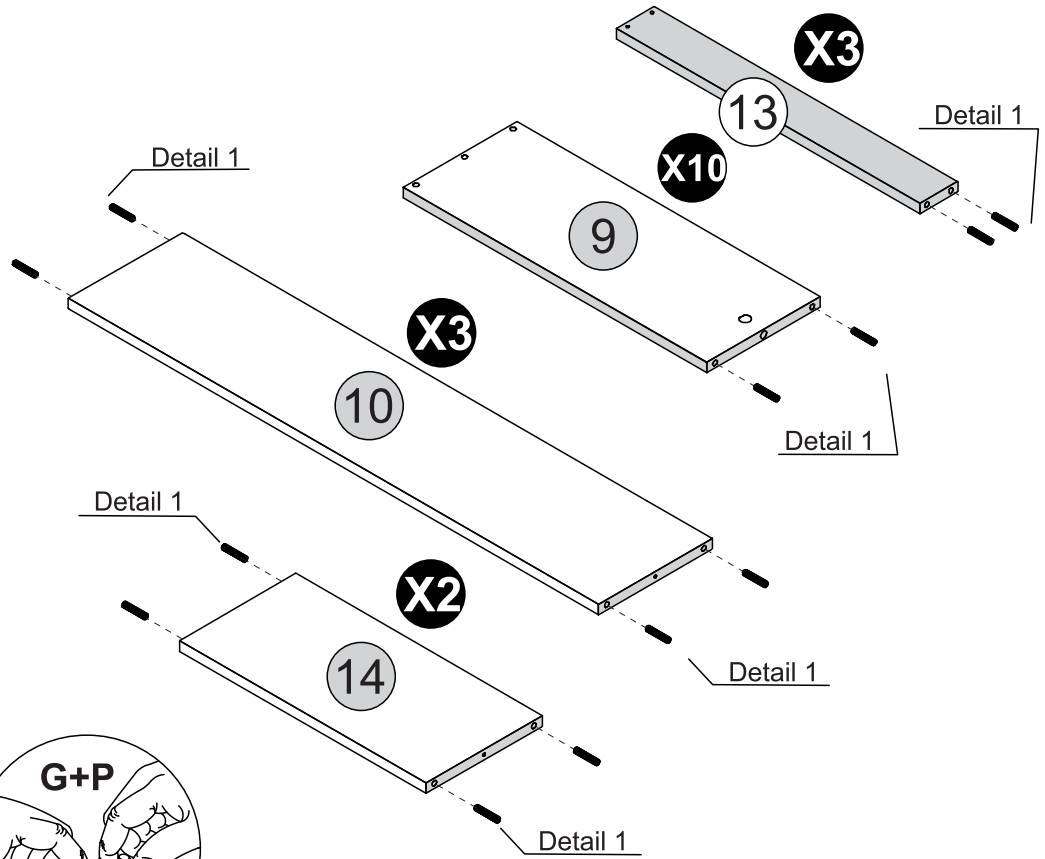
G  46
Ø6 x 30

P  01
GLUE

TOOLS REQUIRED



Detail 1



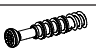
STEP 14

PARTS REQUIRED

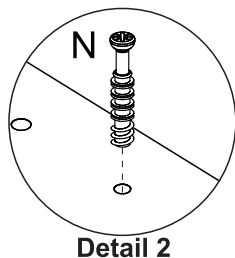
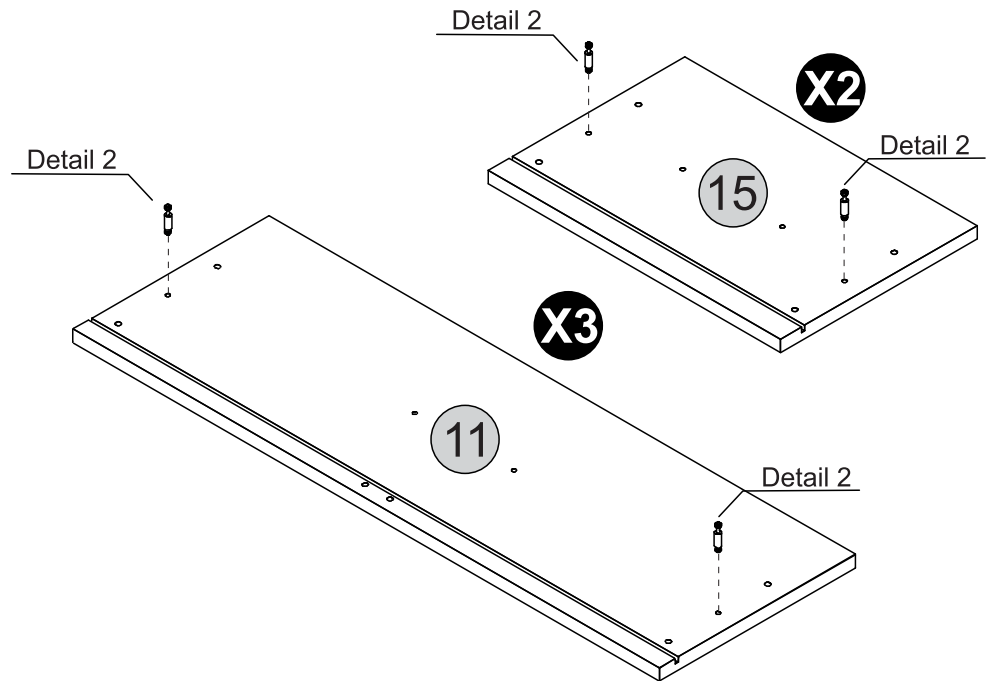
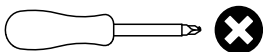
11 - LARGE DRAWER FRONT x3

15 - SMALL DRAWER FRONT x2

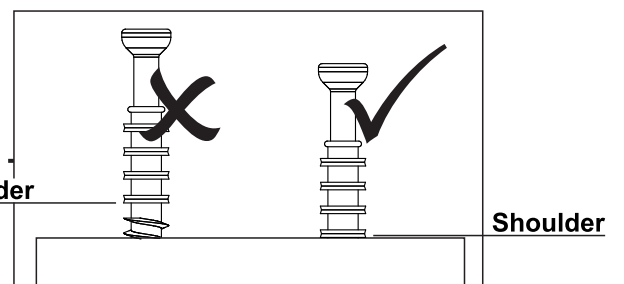
HARDWARE REQUIRED

N  10

TOOLS REQUIRED



Detail 2



Shoulder

Shoulder


STEP 15

PARTS REQUIRED

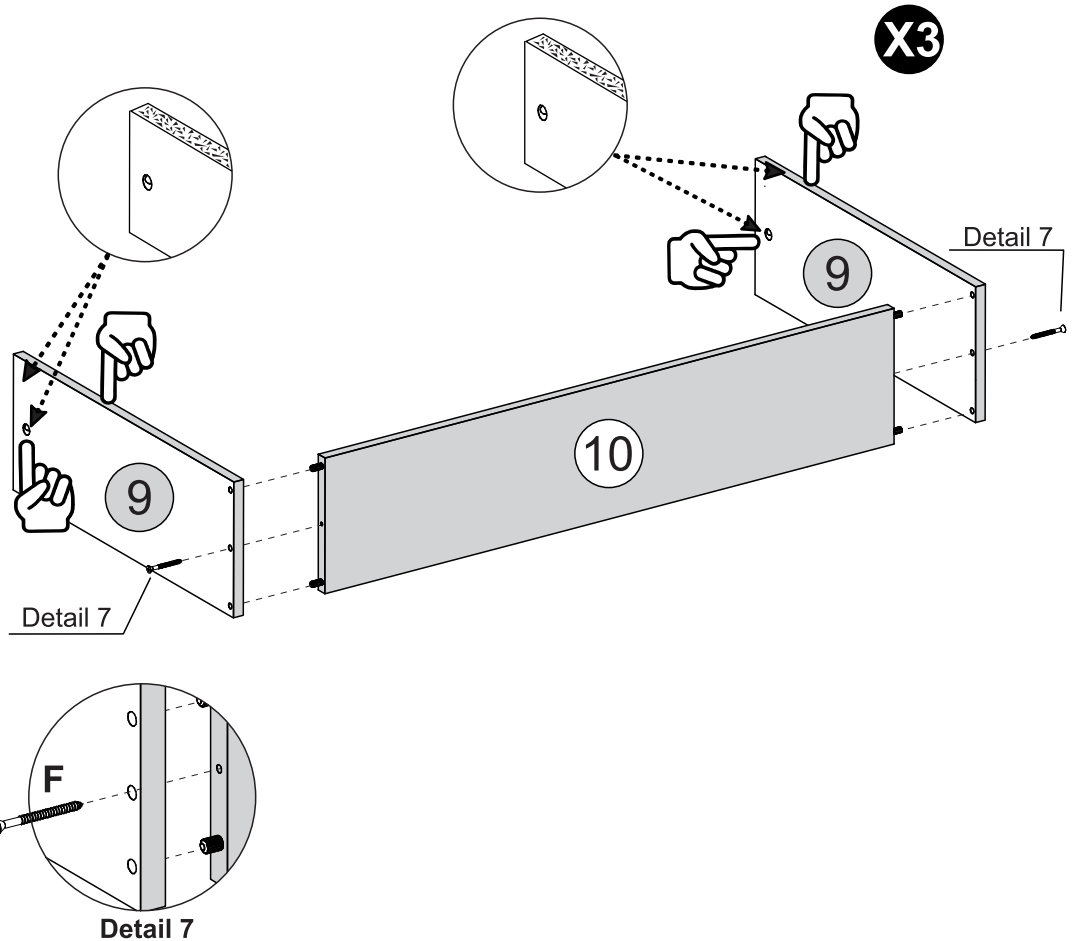
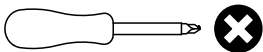
9 - DRAWER SIDE x6

10 - LARGE DRAWER BACK PANEL x3

HARDWARE REQUIRED

F  06
Ø4 x 50

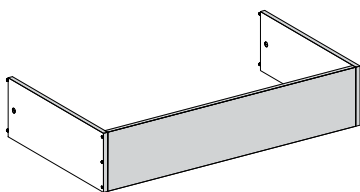
TOOLS REQUIRED



STEP 16

PARTS REQUIRED

11 - LARGE DRAWER FRONT x3

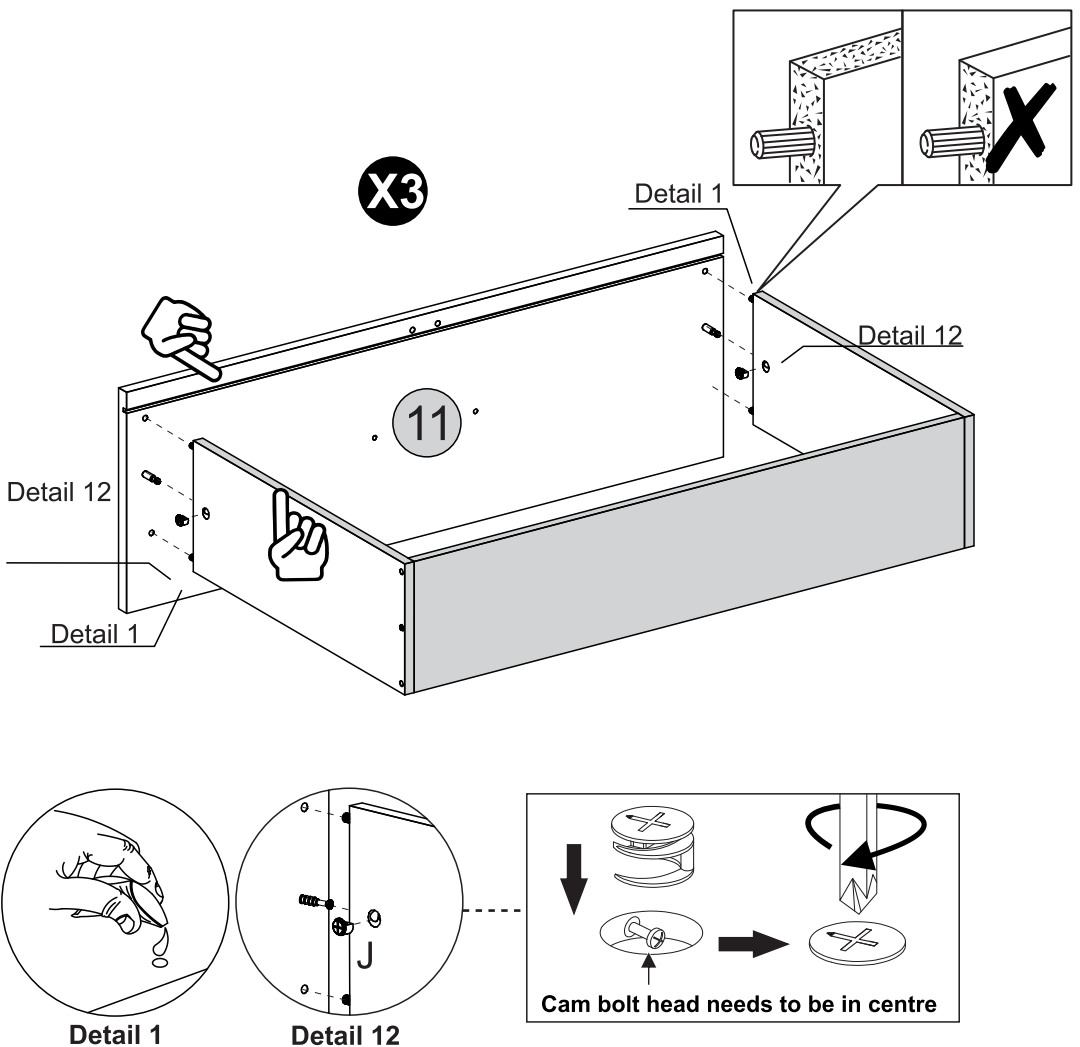
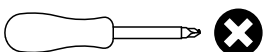


HARDWARE REQUIRED

J  06

P  01
GLUE

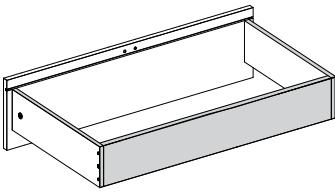
TOOLS REQUIRED



STEP 17

PARTS REQUIRED

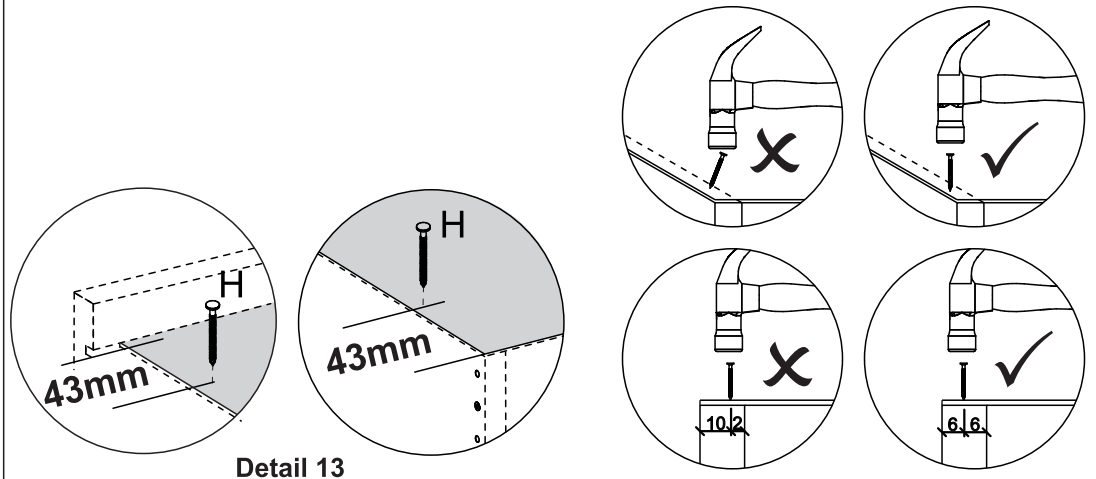
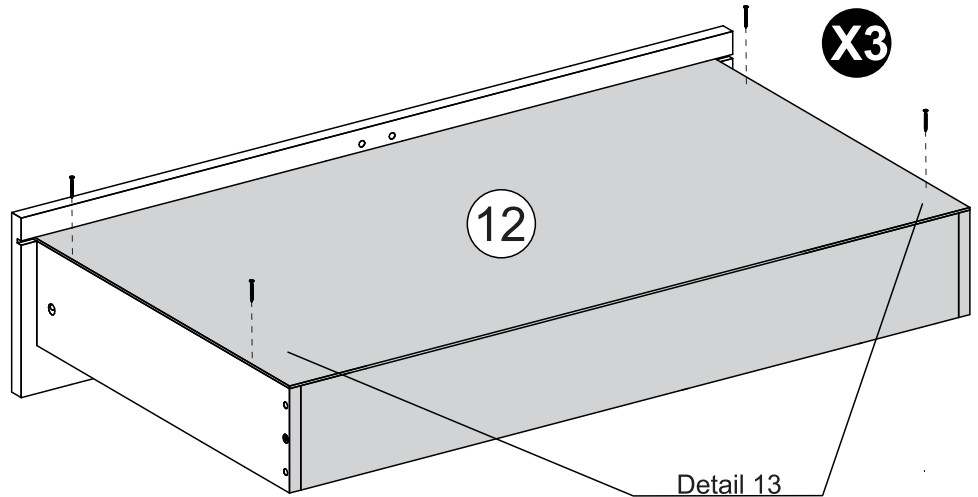
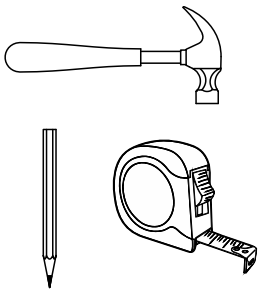
12 - LARGE DRAWER BOTTOM x3



HARDWARE REQUIRED

H  12
10 x 10

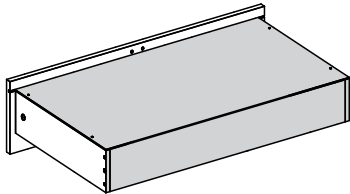
TOOLS REQUIRED



STEP 18

PARTS REQUIRED

13 - DRAWER BOTTOM SUPPORT BAR x3

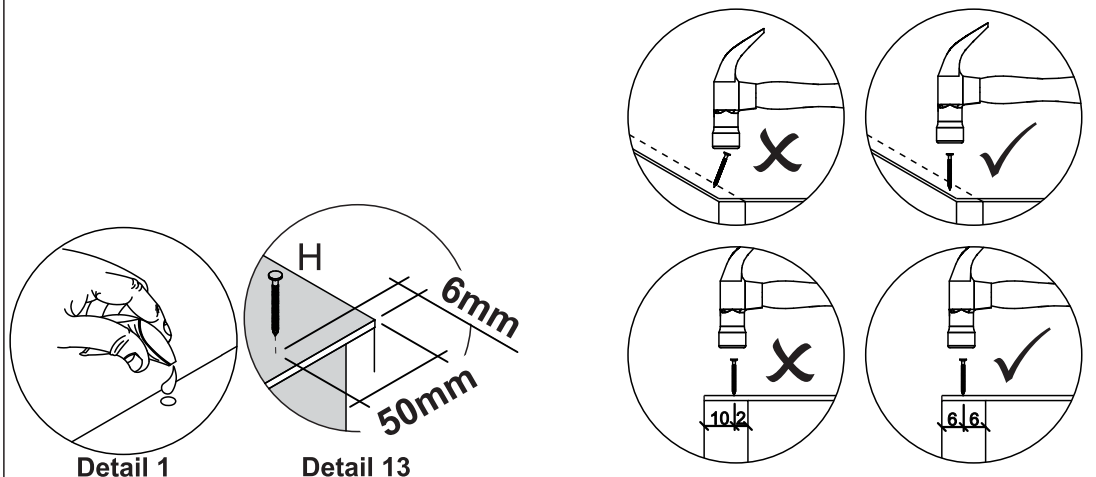
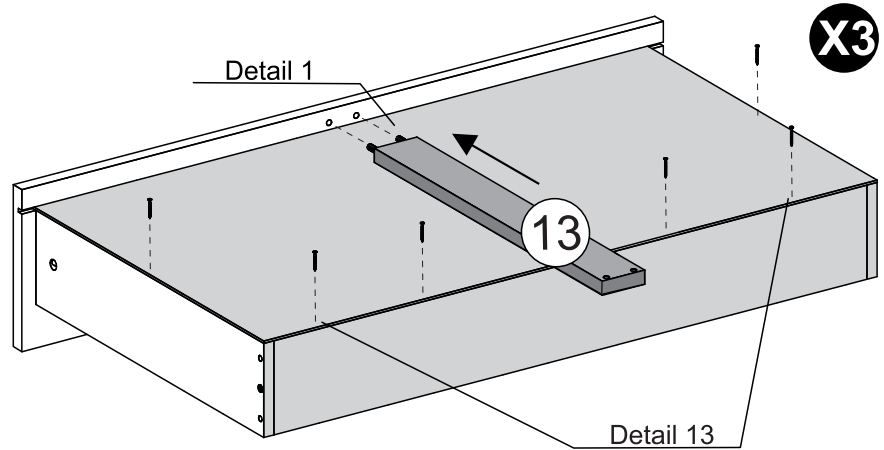
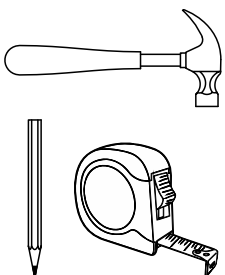


HARDWARE REQUIRED

H  18
10 x 10

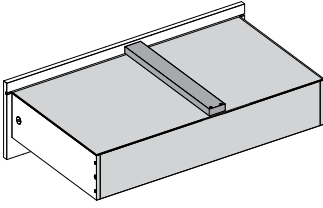
P  01
GLUE

TOOLS REQUIRED

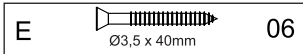


STEP 19

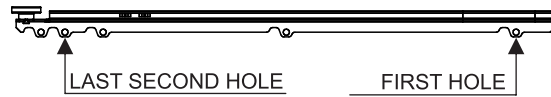
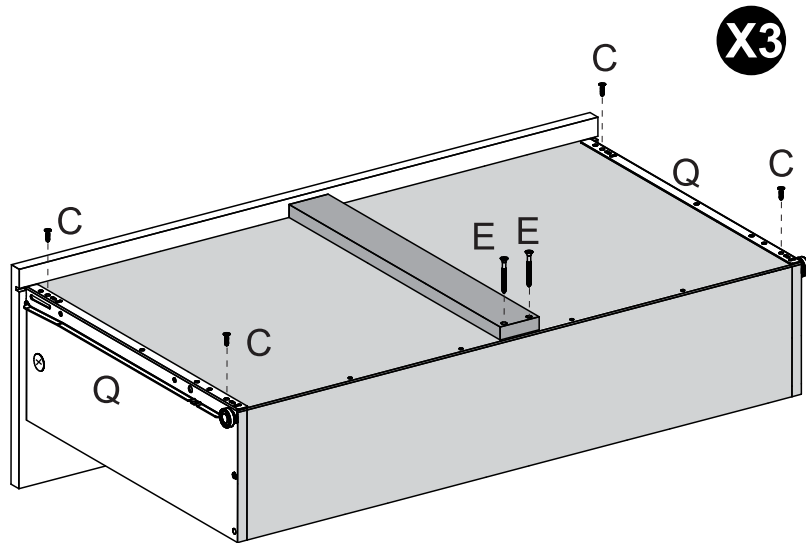
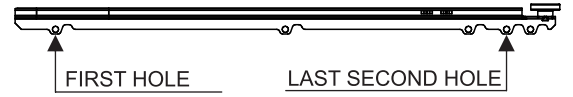
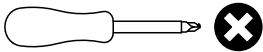
PARTS REQUIRED



HARDWARE REQUIRED

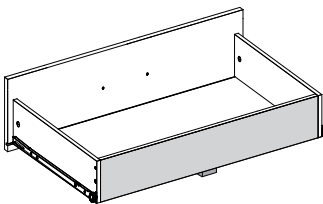


TOOLS REQUIRED

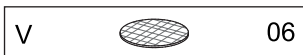
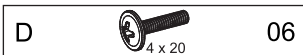


STEP 20

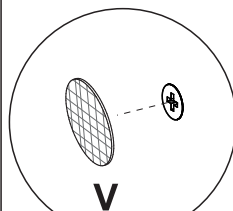
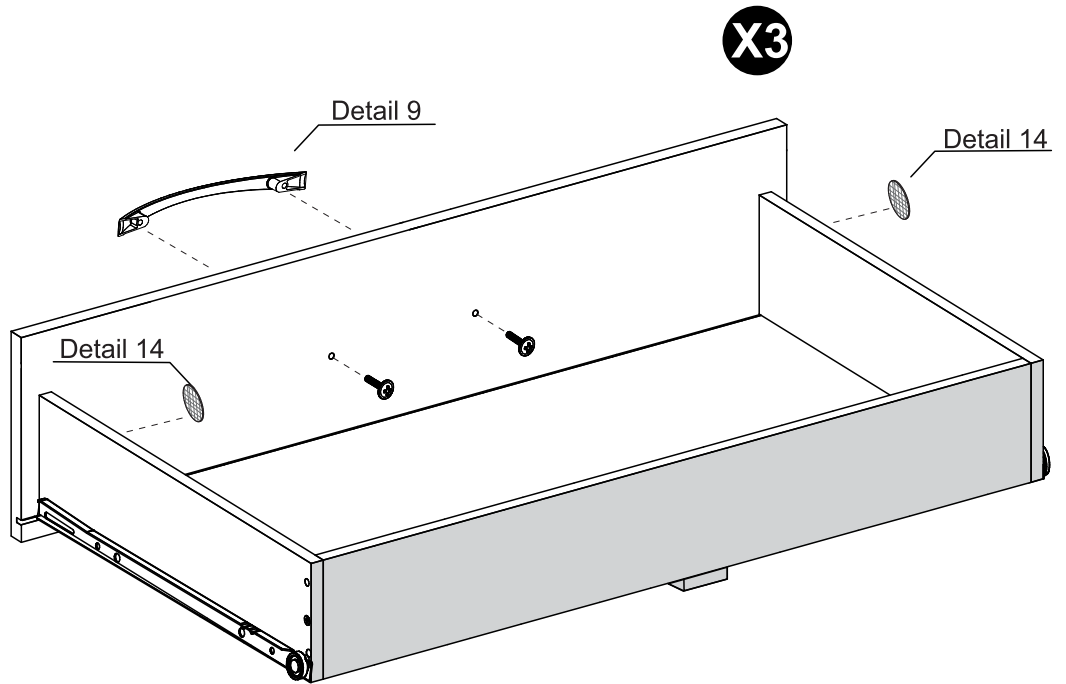
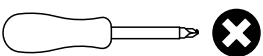
PARTS REQUIRED



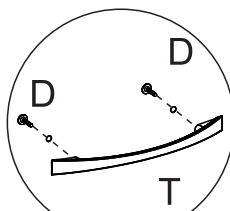
HARDWARE REQUIRED



TOOLS REQUIRED



Detail 14



Detail 9

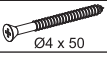
STEP 21

PARTS REQUIRED

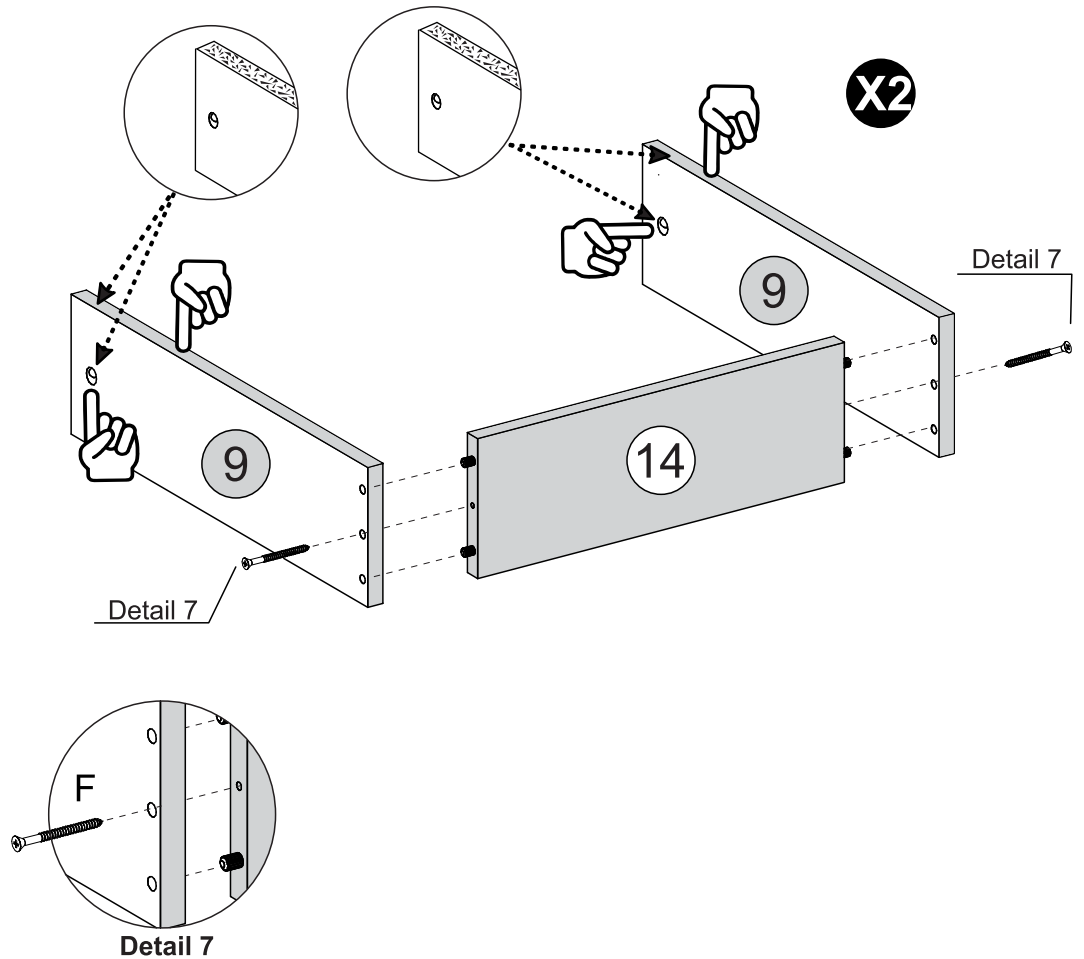
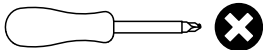
9 - DRAWER SIDE x6

14 - DRAWER BACK PANEL x3

HARDWARE REQUIRED

F  04
Ø4 x 50

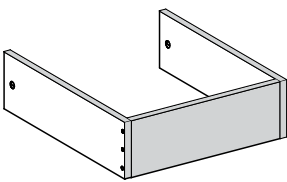
TOOLS REQUIRED



STEP 22

PARTS REQUIRED

15 - SMALL DRAWER FRONT x3

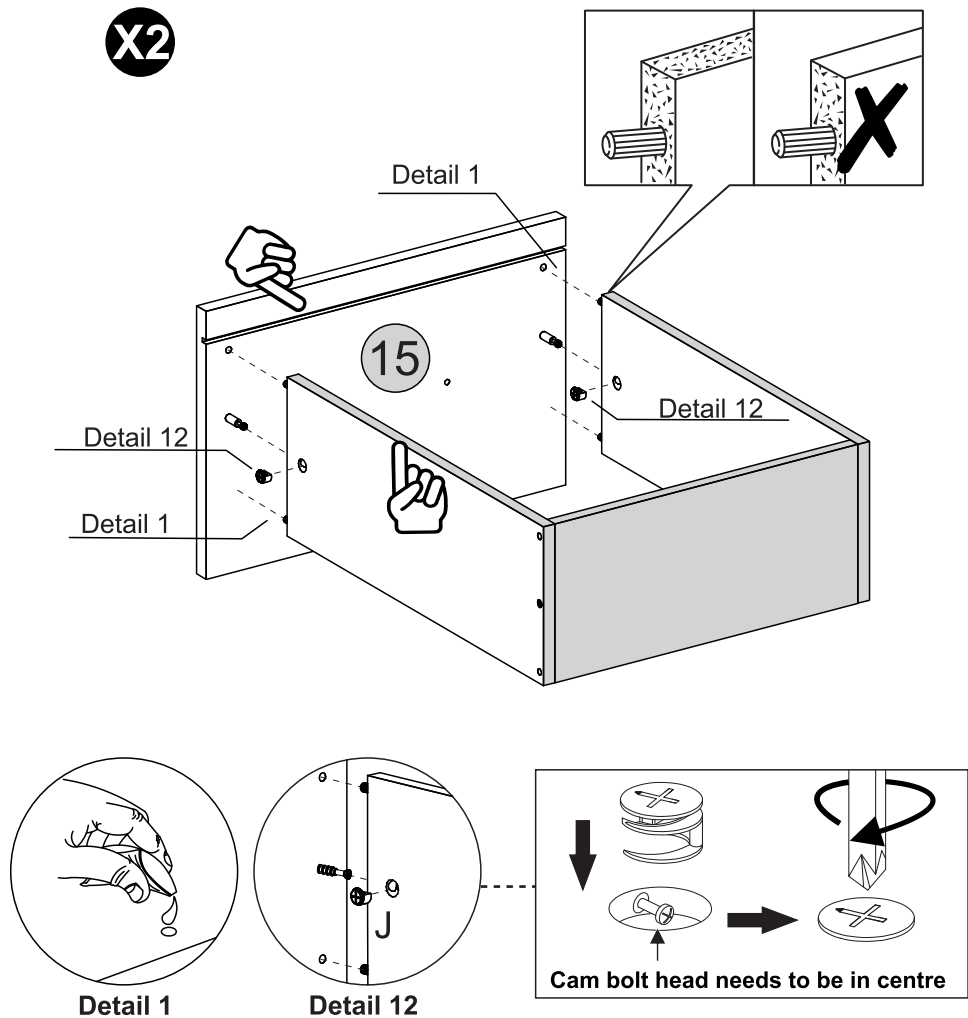
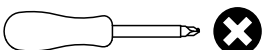


HARDWARE REQUIRED

J  04

P  01
GLUE

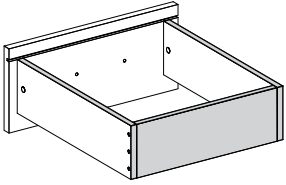
TOOLS REQUIRED



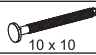
STEP 23

PARTS REQUIRED

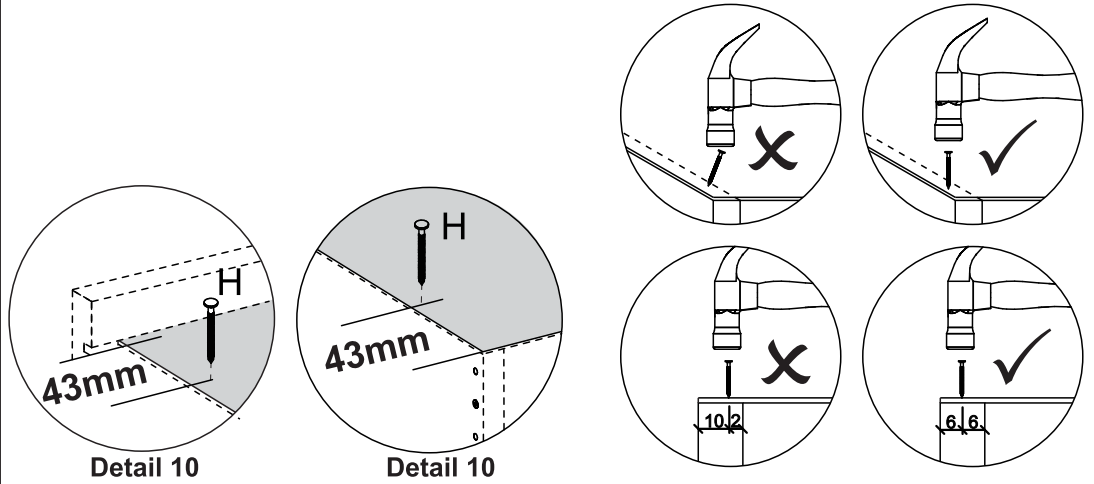
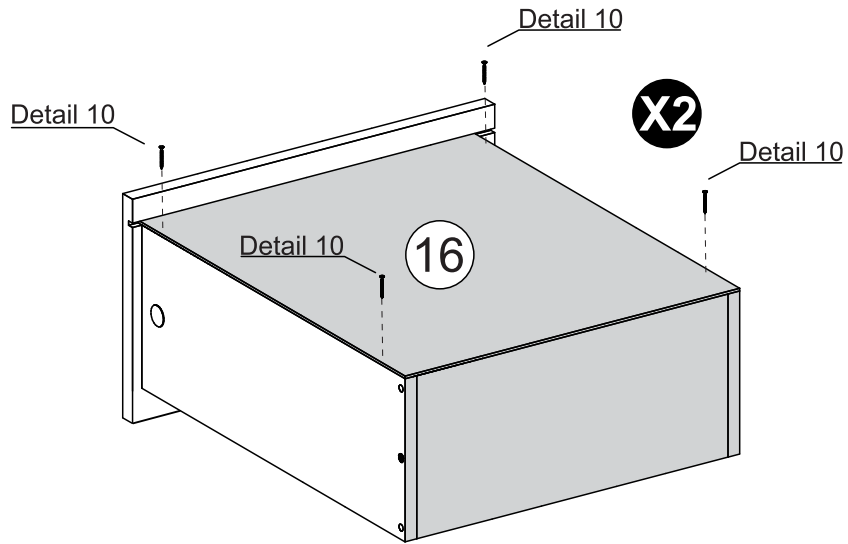
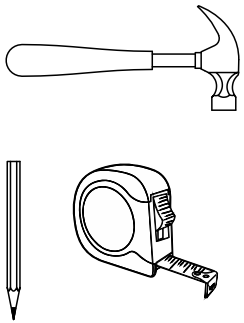
16 - DRAWER BOTTOM x2



HARDWARE REQUIRED

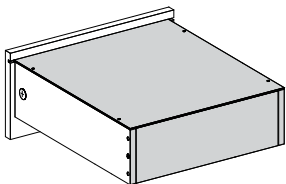
H  08

TOOLS REQUIRED




STEP 24

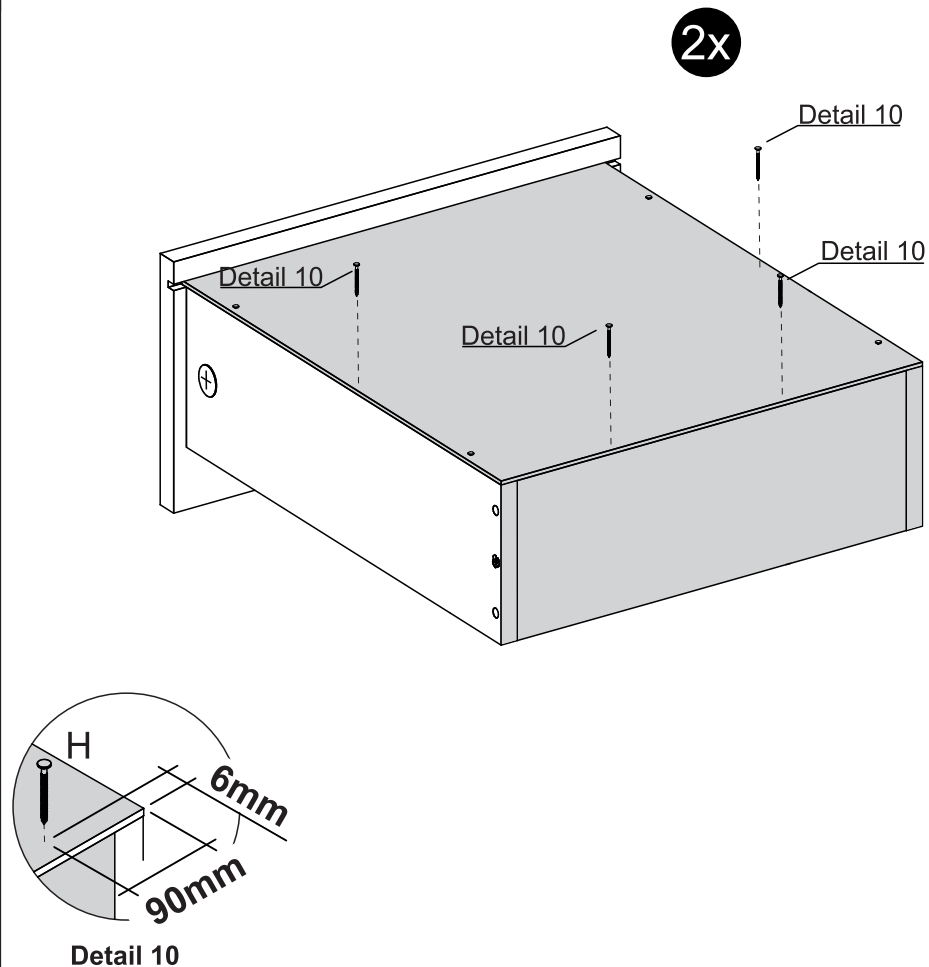
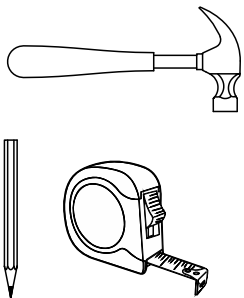
PARTS REQUIRED



HARDWARE REQUIRED

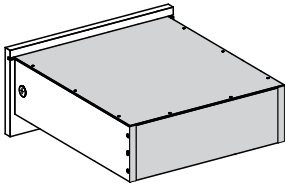
H  08

TOOLS REQUIRED

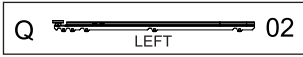
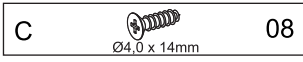


STEP 25

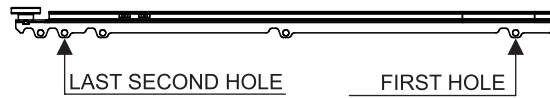
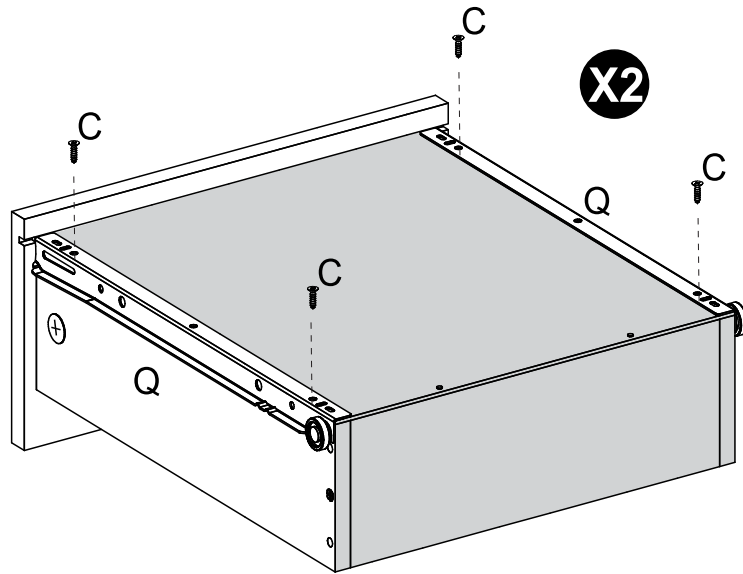
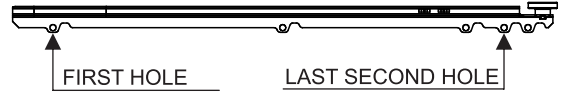
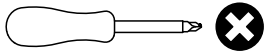
PARTS REQUIRED



HARDWARE REQUIRED

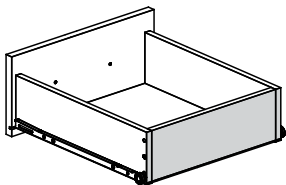


TOOLS REQUIRED

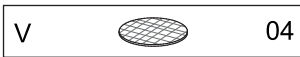


STEP 26

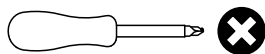
PARTS REQUIRED



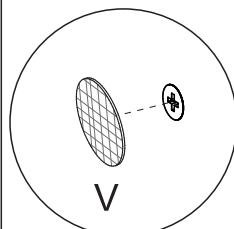
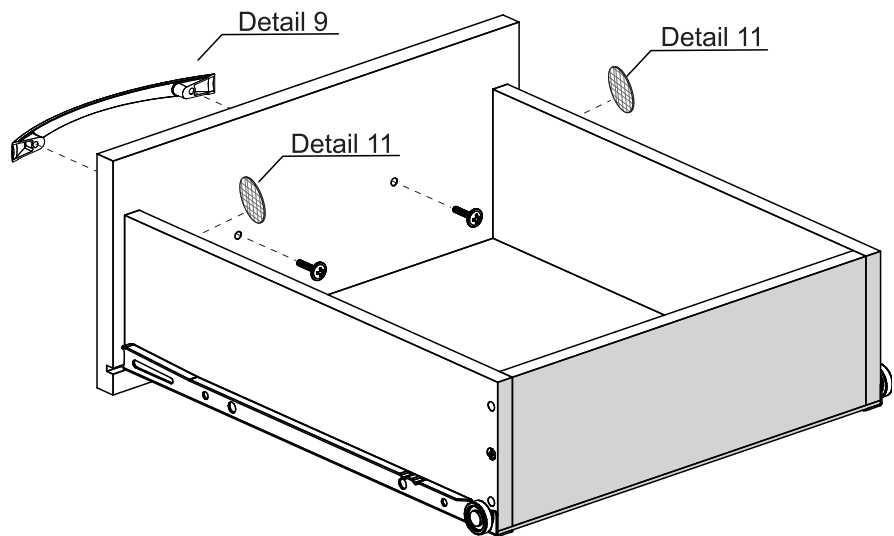
HARDWARE REQUIRED



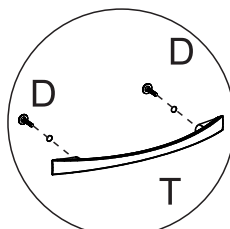
TOOLS REQUIRED



X2



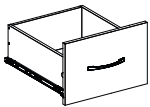
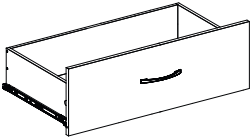
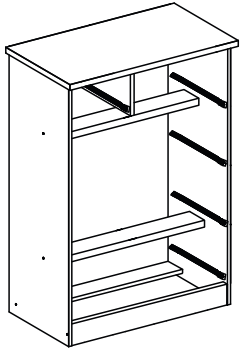
Detail 11



Detail 9

STEP 27

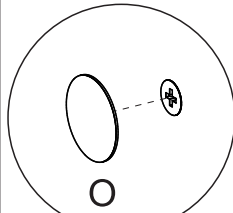
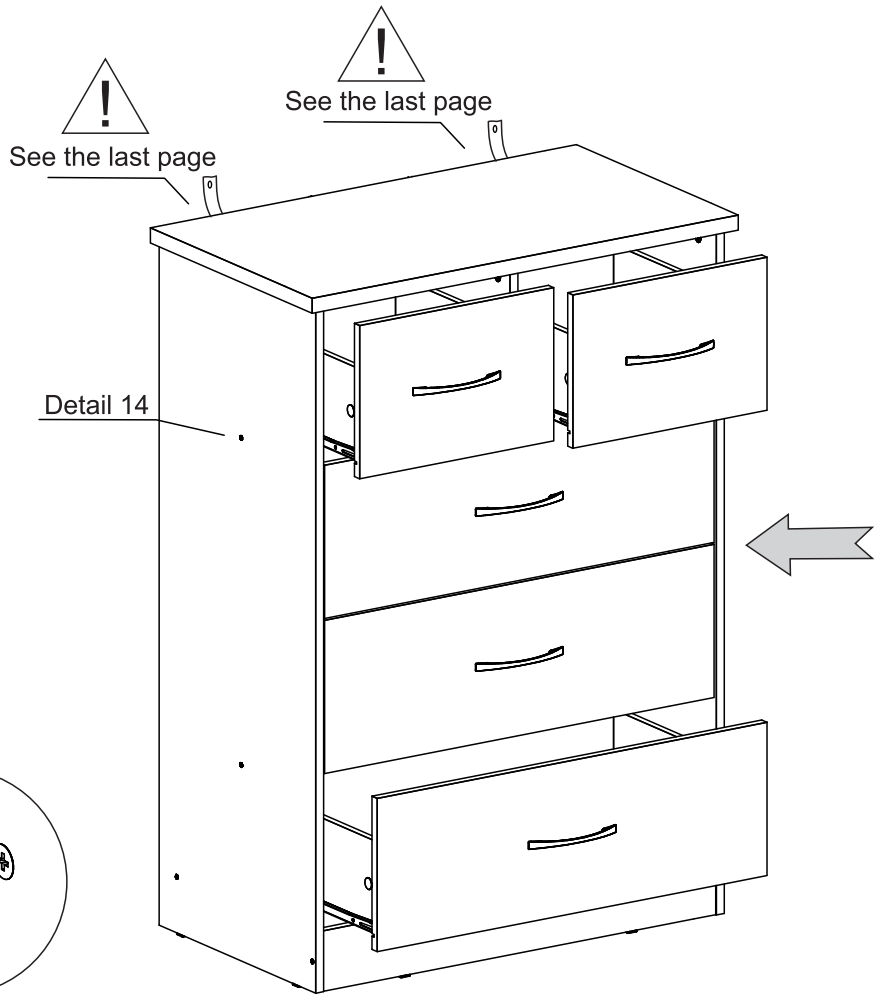
PARTS REQUIRED



HARDWARE REQUIRED



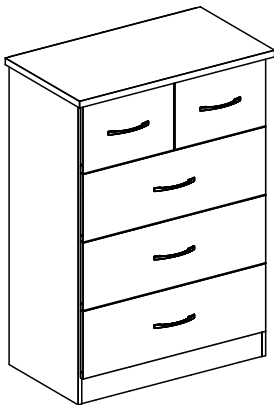
TOOLS REQUIRED



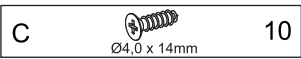
Detail 14

STEP 28

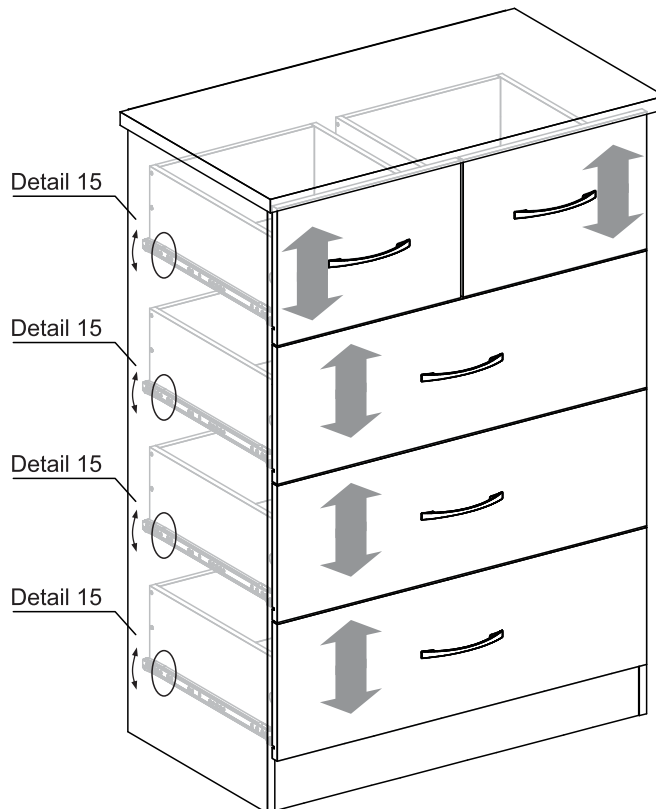
PARTS REQUIRED



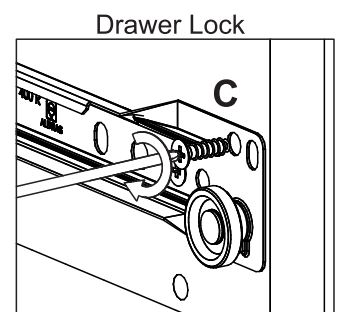
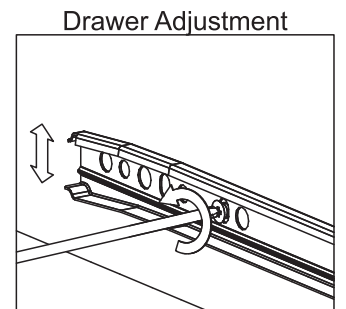
HARDWARE REQUIRED



TOOLS REQUIRED



TIP
If desired, after assembly use an alcohol cleaner to erase the number printed on the parts.

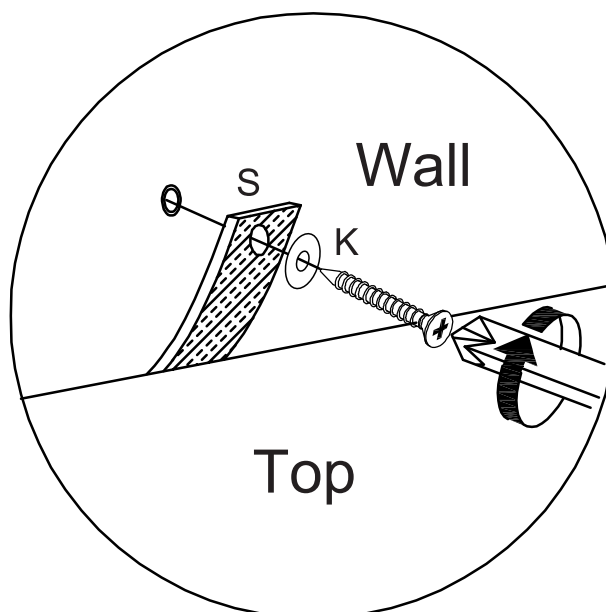
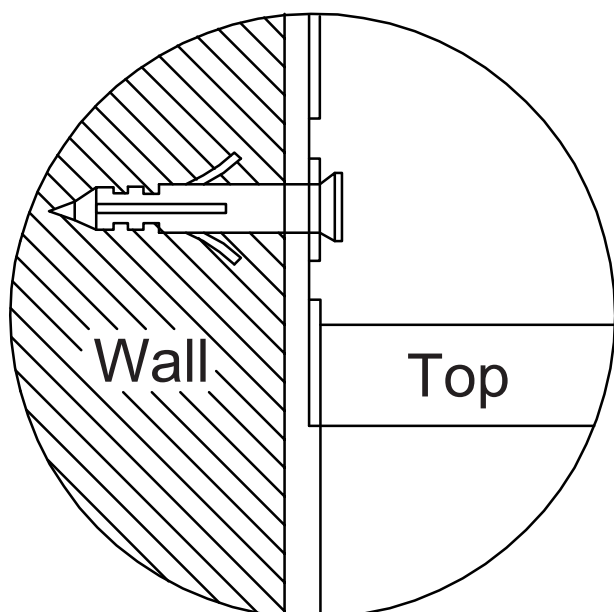
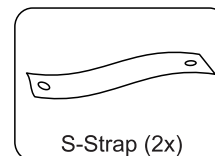
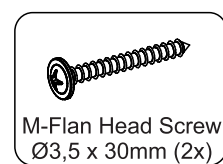
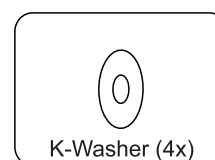
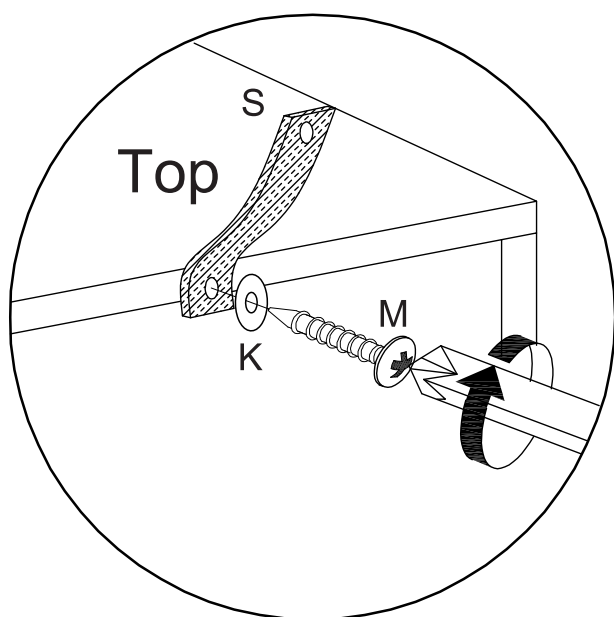


Detail 15

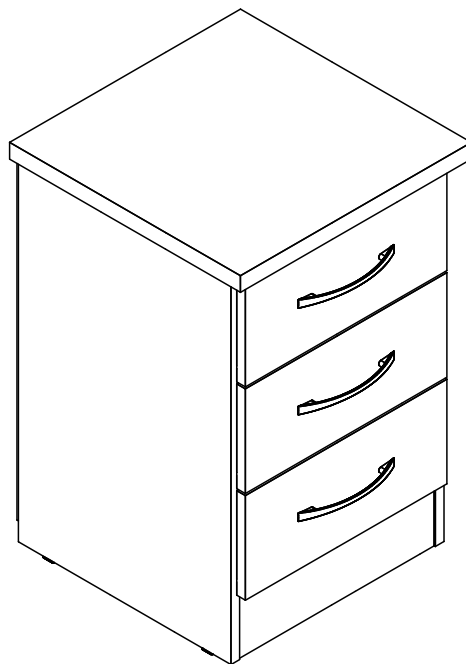
WARNING

Serious or fatal injuries can occur from furniture tipping over. To prevent the furniture from tipping over we recommend that it is permanently fixed to the wall.

Wall fixings are not supplied with this product as different wall materials require different types of fixing devices. Please make sure you use fixings suitable for the walls in your home.



NEVADA 3 DRAWER BEDSIDE ASSEMBLY INSTRUCTIONS



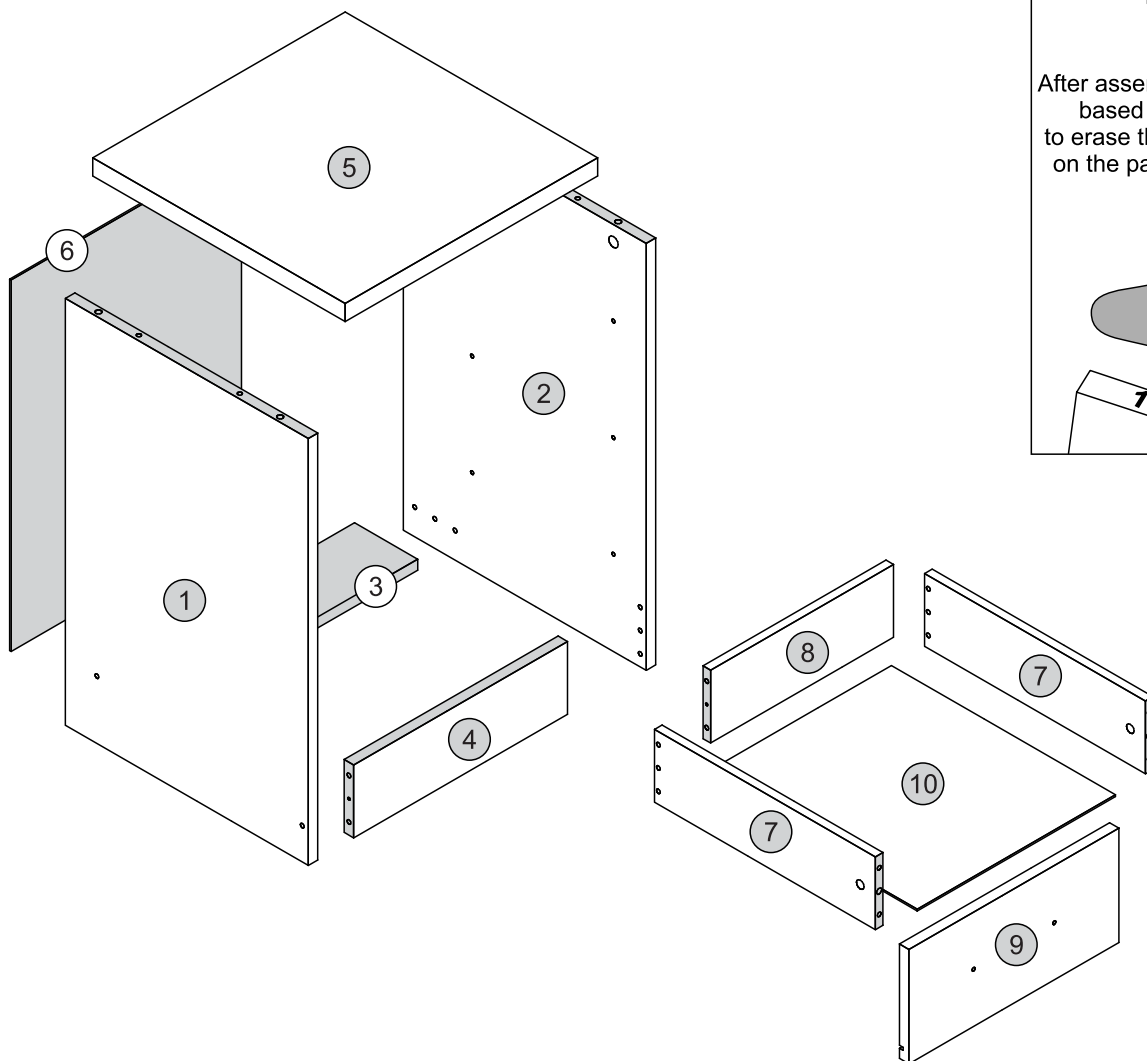
IMPORTANT FOR DOMESTIC USE ONLY

PLEASE READ BEFORE YOU CONTINUE FURTHER

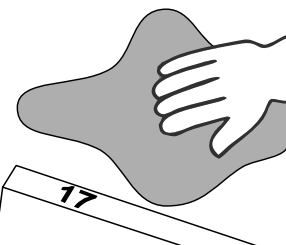
CARE AND MAINTENANCE

After unpacking this product please keep the original packaging in case it needs to be returned for any reason.

- Please ensure all fittings and parts are present before commencing with assembly.
- Never drag or push products as this could cause damage to the joints making it inferior.
- We strongly recommend that you keep children away from your work area.
- We recommend that you lay a blanket or sheet on the floor to avoid damage to both your floor and the product.
- Assemble this product as close to its final position as possible.
- Do not place this product next to a radiator or in direct sunlight.
- Do not drag or push items across your high gloss furniture as this may cause the surface to scratch
- Wood is a natural product and may expand if subjected to damp and may shrink or crack if subjected to heat. Therefore it is recommended that room temperature is maintained, with no sudden temperature fluctuations.
- Make sure any spillage is wiped off immediately.
- Do not place hot or chilled items directly on to the surface, use a place mat or marking will occur.
- For general cleaning use a soft cotton or micro fibre cloth, and do not use detergents of any kind.
- From time to time it may be necessary to tighten fittings, regular inspections should be carried out.
- Do not place on a wet or damp floor as staining may occur to your floor.



After assembly use an alcohol based product/cleaner to erase the numbers printed on the parts that are visual.



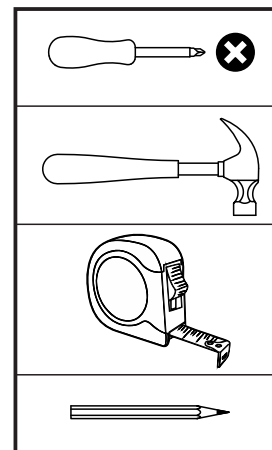
PARTS LIST

Please Note:


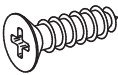

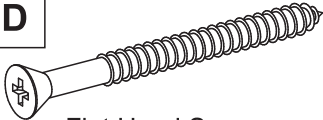


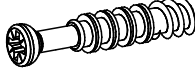





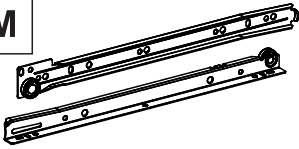
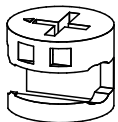

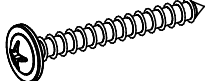

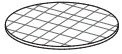
The below parts have all been stamped with the part number to help identify them during assembly.

Part Number	Part Description	Quantity	Carton
01	Left Side Panel	1	1/1
02	Right Side Panel	1	1/1
03	Back Baseboard	1	1/1
04	Front Baseboard	1	1/1
05	Top Panel	1	1/1
06	Back Panel	1	1/1
07	Drawer Side	6	1/1
08	Drawer Back Panel	3	1/1
09	Drawer Front	3	1/1
10	Drawer Bottom	3	1/1

TOOLS REQUIRED

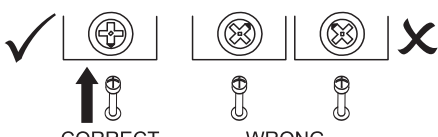


FITTINGS LIST

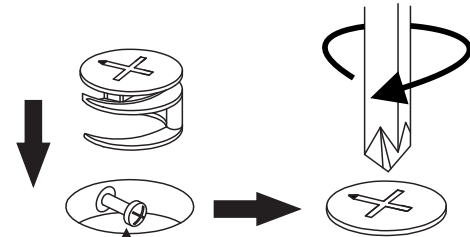
<p>A</p>  <p>Flat Head Screw 1/+ Ø6,0 x 10mm (12x)</p>	<p>B</p>  <p>Flat Head Screw 2/+ Ø4,0 x 14mm (18x)</p>	<p>C</p>  <p>Flan Head Screw 1/+ Ø4,0 x 20mm (6x)</p>	<p>D</p>  <p>Flat Head Screw 2/+ Ø4,0 x 50mm (10x)</p>
<p>E</p>  <p>2/+ Dowel Ø6,0 x 30mm (36x)</p>	<p>F</p>  <p>2/+ Nail 10 x 10 (42x)</p>	<p>G</p>  <p>2/+ Cam Bolt (10x)</p>	<p>H</p>  <p>1/+ Cam Nut Ø12mm (6x)</p>
<p>I</p>  <p>1/+ Plastic Foot (4x)</p>	<p>J</p>  <p>2/+ Hole Plugs (4x)</p>	<p>K</p>  <p>Glue (1x)</p>	<p>L</p>  <p>Handle (3x)</p>
<p>M</p>  <p>Drawer Runners (3x)</p>	<p>N</p>  <p>1/+ Cam Nut Ø15mm (4x)</p>	<p>O</p>  <p>Strap (1x)</p>	<p>P</p>  <p>1/+ Flan Head Screw Ø3,5 x 30mm (1x)</p>
<p>Q</p>  <p>1/+ Washer (2x)</p>	<p>R</p>  <p>2/+ Hole Plugs (6x)</p>		

TIPS FOR FITTINGS CAM-LOCKS

WHEN FITTING CAM NUT. ENSURE STARTING POSITION IS CORRECT BEFORE YOU INSERT CONNECTING CAM BOLT TURN CLOCKWISE UNTIL SECURE



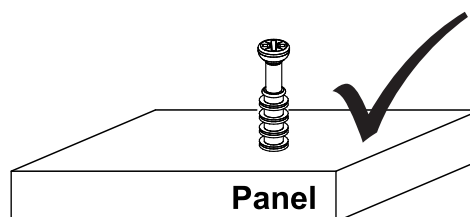
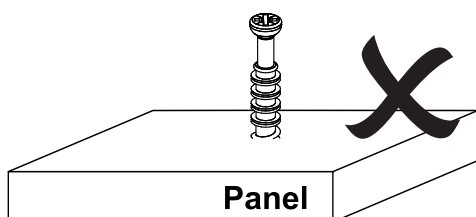
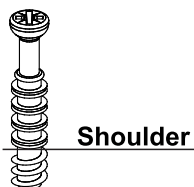
↑ CORRECT ✗ WRONG



Cam bolt head needs to be in centre

CAMBOLT

Tighten until shoulder in flush with panel. Do not overtighten or undertighten (see example beside)

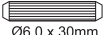



STEP 1

PARTS REQUIRED

1 - LEFT SIDE PANEL x1

HARDWARE REQUIRED

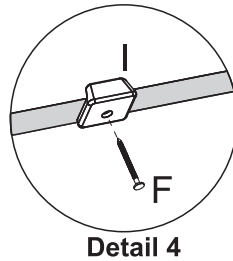
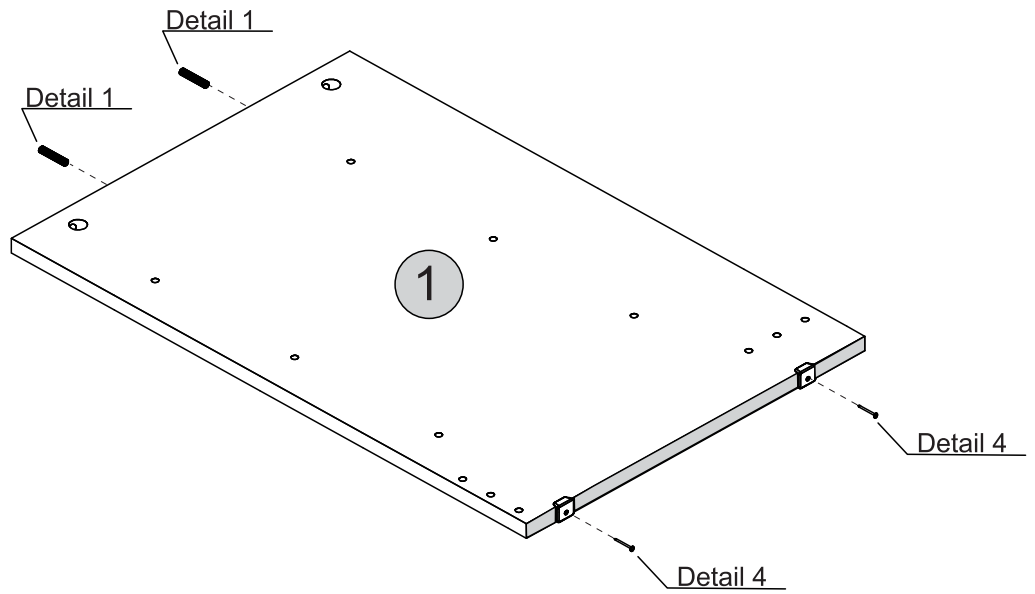
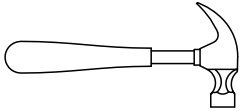
E  02
Ø6,0 x 30mm

F  02
10 x 10

I  02

K  01
GLUE

TOOLS REQUIRED

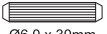



STEP 2

PARTS REQUIRED

2 - RIGHT SIDE PANEL x1

HARDWARE REQUIRED

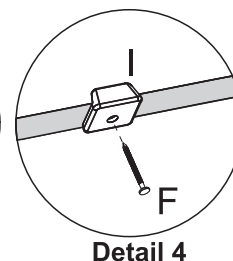
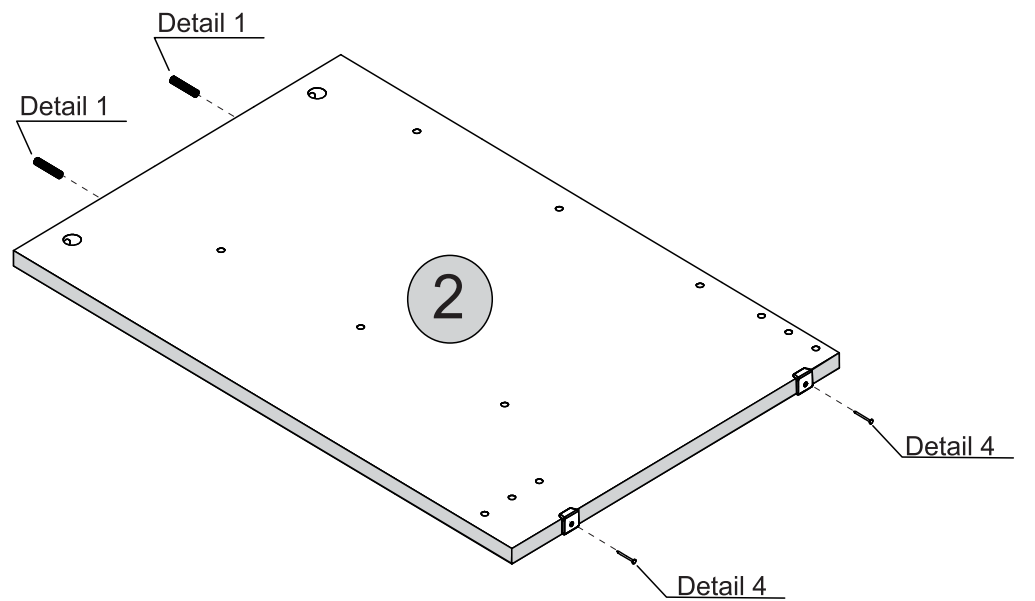
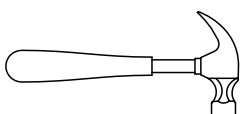
E  02
Ø6,0 x 30mm

F  02
10 x 10

I  02

K  01
GLUE

TOOLS REQUIRED



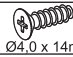
STEP 3

PARTS REQUIRED

2 - RIGHT SIDE PANEL x1

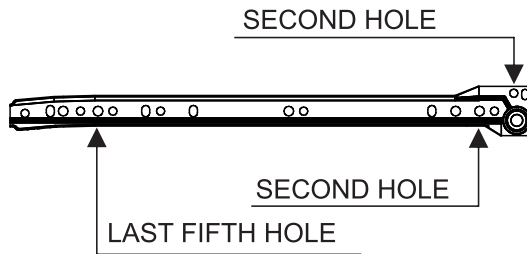
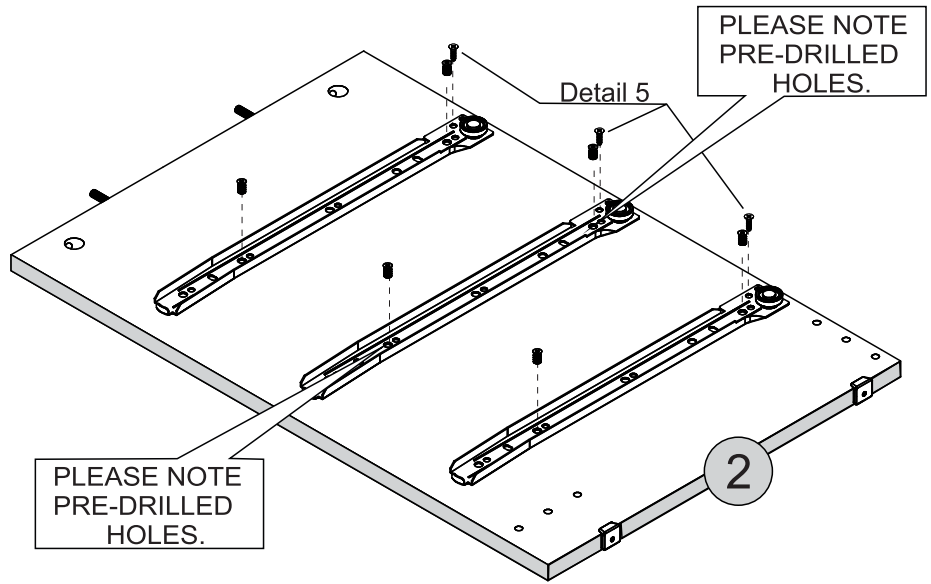
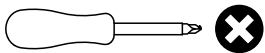
HARDWARE REQUIRED

A  06
Ø6.0 x 10mm

B  03
Ø4.0 x 14mm

M  03
RIGHT

TOOLS REQUIRED




Detail 5

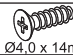
STEP 4

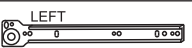
PARTS REQUIRED

1 - LEFT SIDE PANEL x1

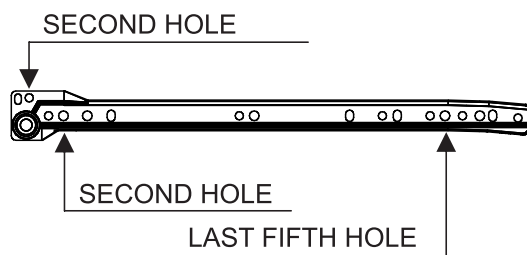
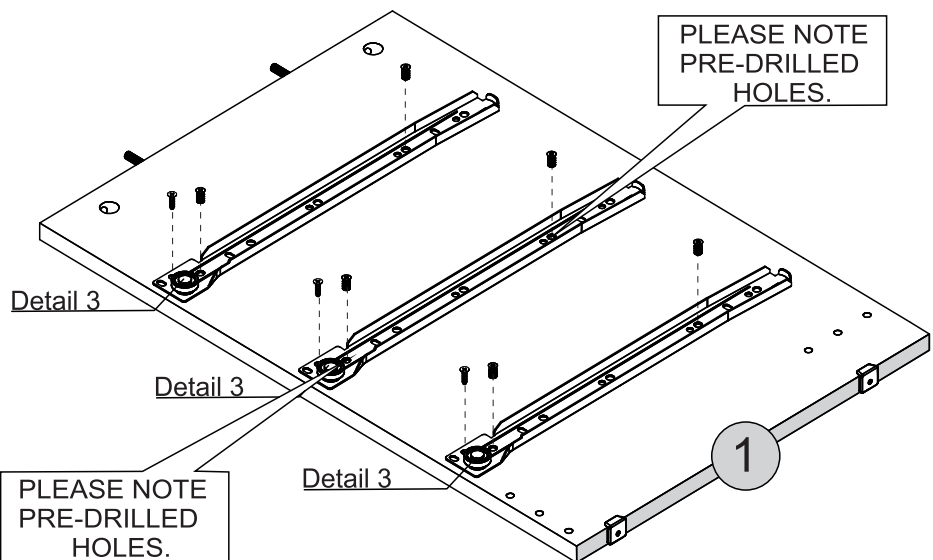
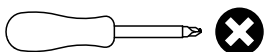
HARDWARE REQUIRED

A  06
Ø6.0 x 10mm

B  03
Ø4.0 x 14mm

M  03
LEFT

TOOLS REQUIRED



Detail 3

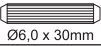
STEP 5

PARTS REQUIRED

3 - BACK BASEBOARD x1

4 - FRONT BASEBOARD x1

HARDWARE REQUIRED

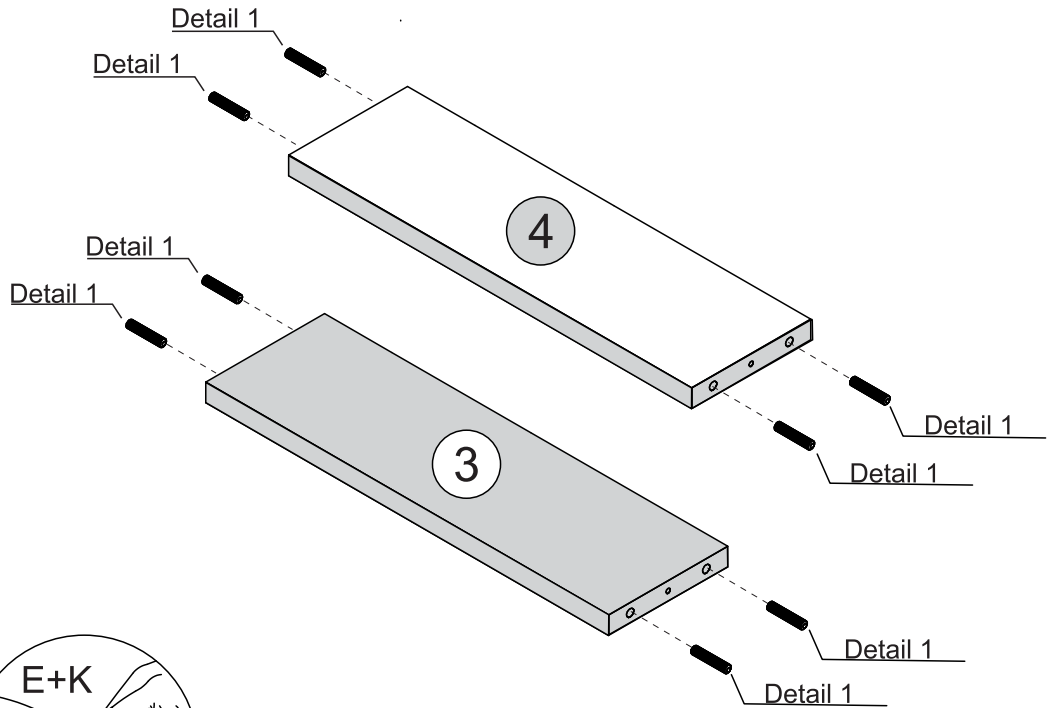
E  08
Ø6,0 x 30mm

K  01
GLUE

TOOLS REQUIRED



Detail 1



STEP 6

PARTS REQUIRED

2 - RIGHT SIDE PANEL x1

3 - BACK BASEBOARD x1

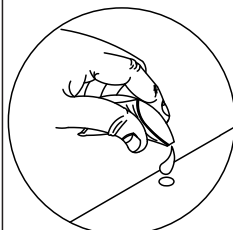
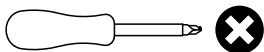
4 - FRONT BASEBOARD x1

HARDWARE REQUIRED

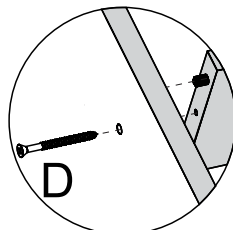
D  02
Ø4 x 50mm

K  01
GLUE

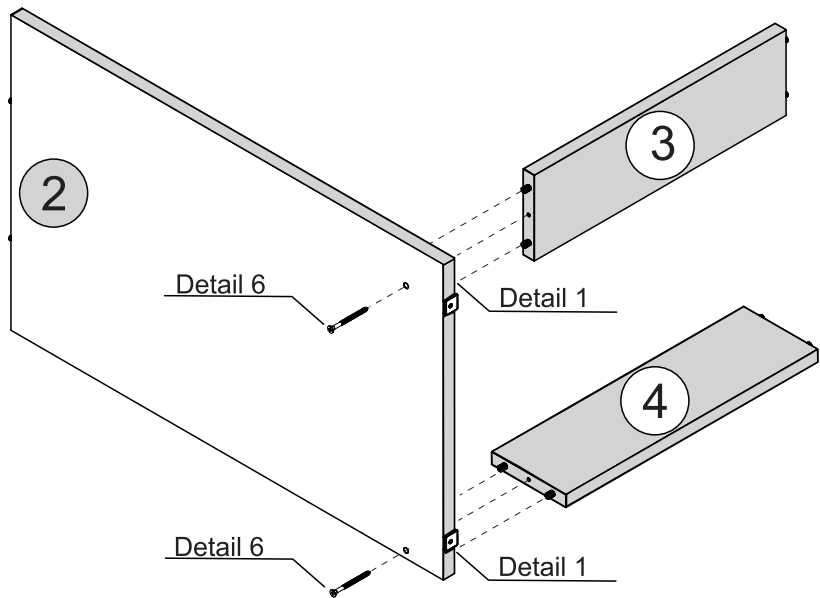
TOOLS REQUIRED



Detail 1



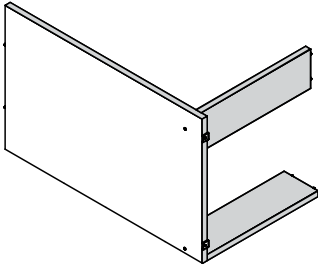
Detail 6




STEP 7

PARTS REQUIRED

1 - LEFT SIDE PANEL x1

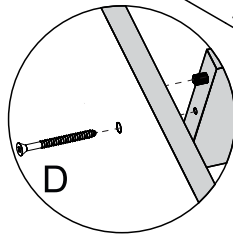
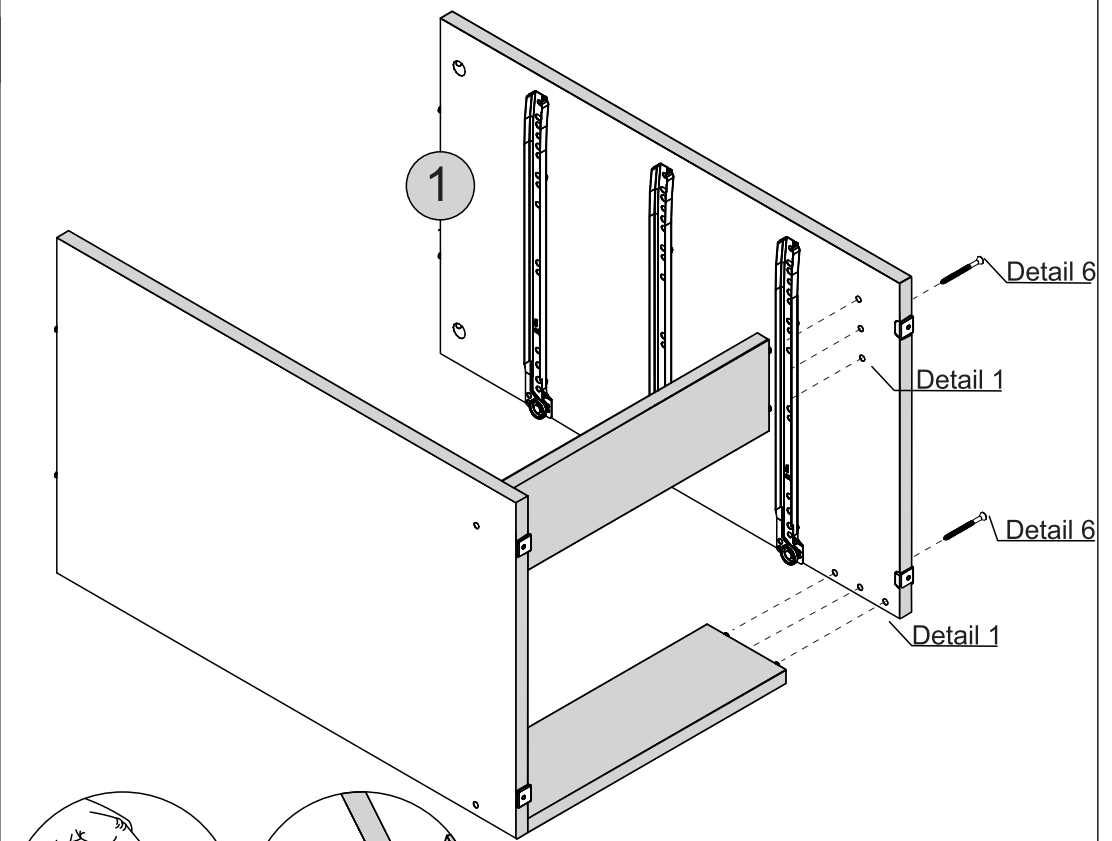
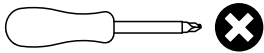


HARDWARE REQUIRED

D  02
Ø4 x 50mm

K  01

TOOLS REQUIRED



Detail 1

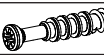
Detail 6

STEP 8

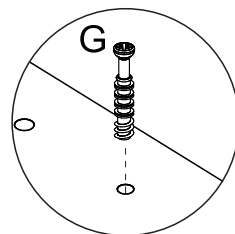
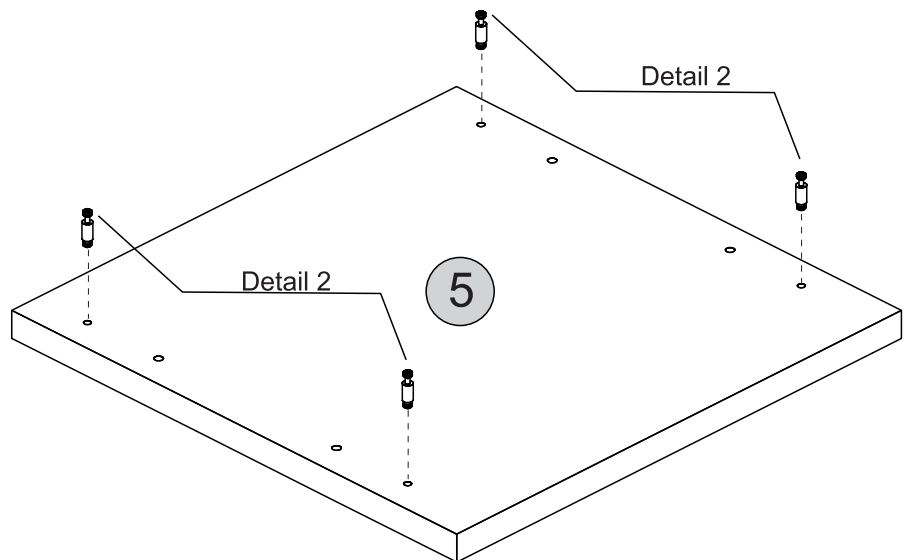
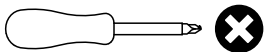
PARTS REQUIRED

5 - TOP PANEL x1

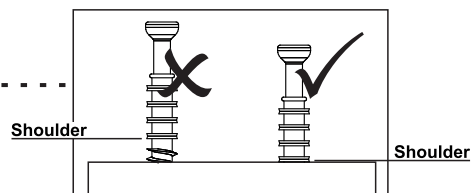
HARDWARE REQUIRED

G  04

TOOLS REQUIRED



Detail 2



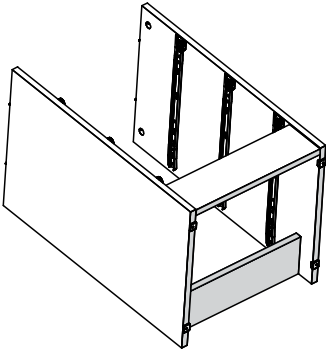
Shoulder

Shoulder

STEP 9

PARTS REQUIRED

5 - TOP PANEL x1

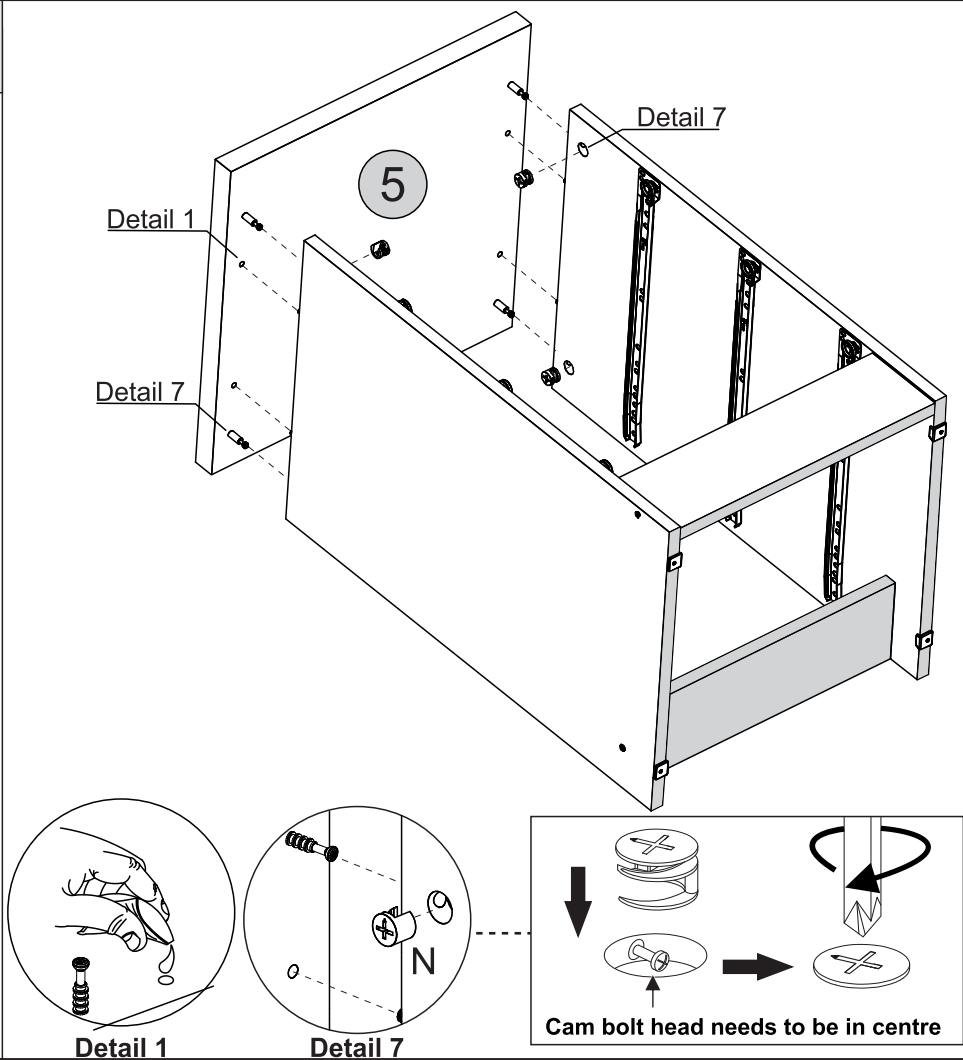
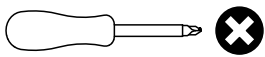


HARDWARE REQUIRED

K  01

N  04

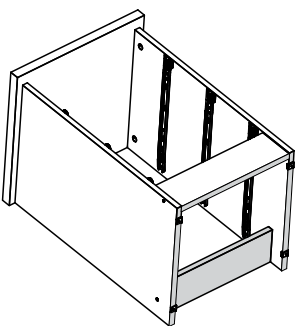
TOOLS REQUIRED



STEP 10

PARTS REQUIRED

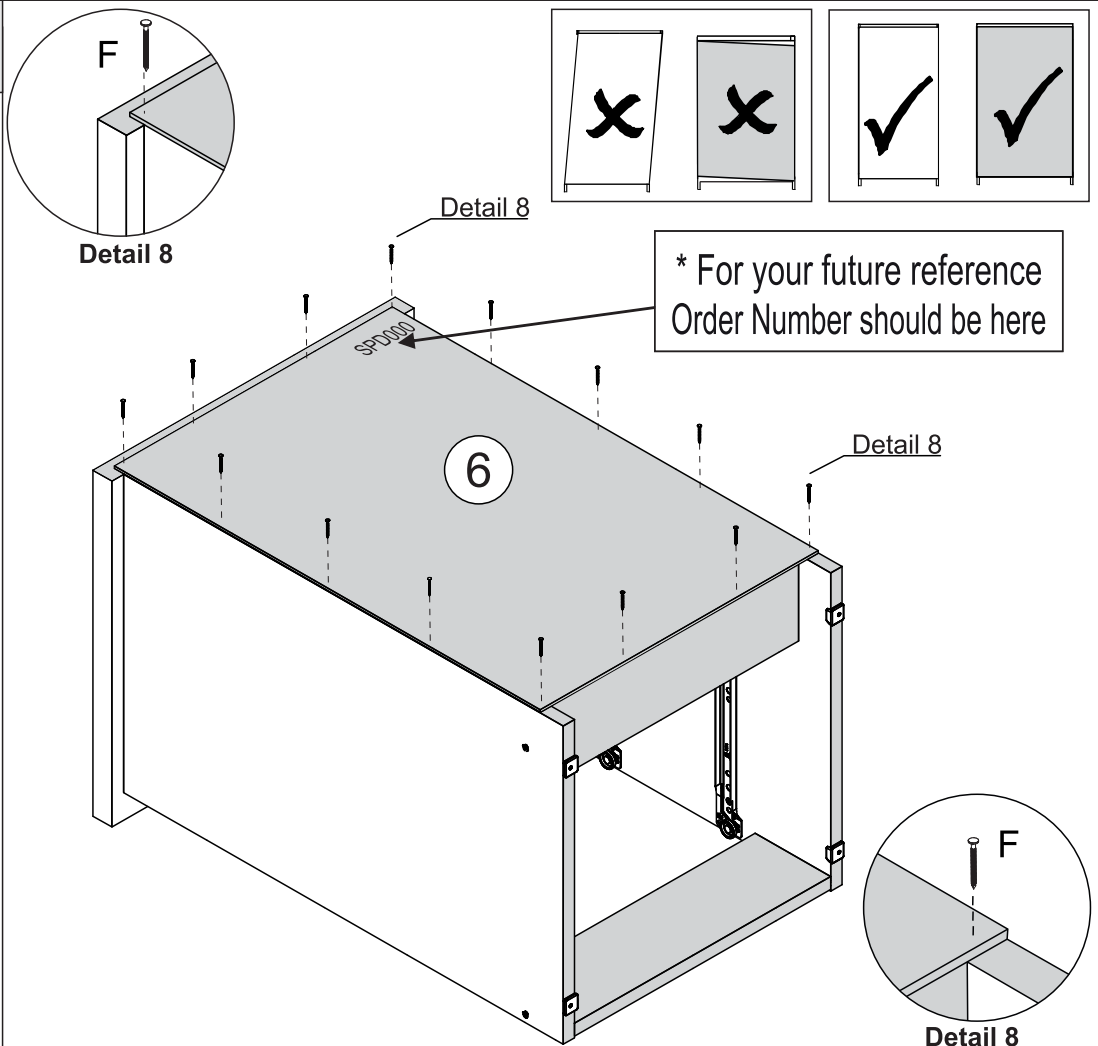
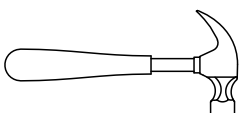
6 - BACK PANEL x1



HARDWARE REQUIRED

F  14

TOOLS REQUIRED



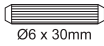
STEP 11

PARTS REQUIRED

7 - DRAWER SIDE x6

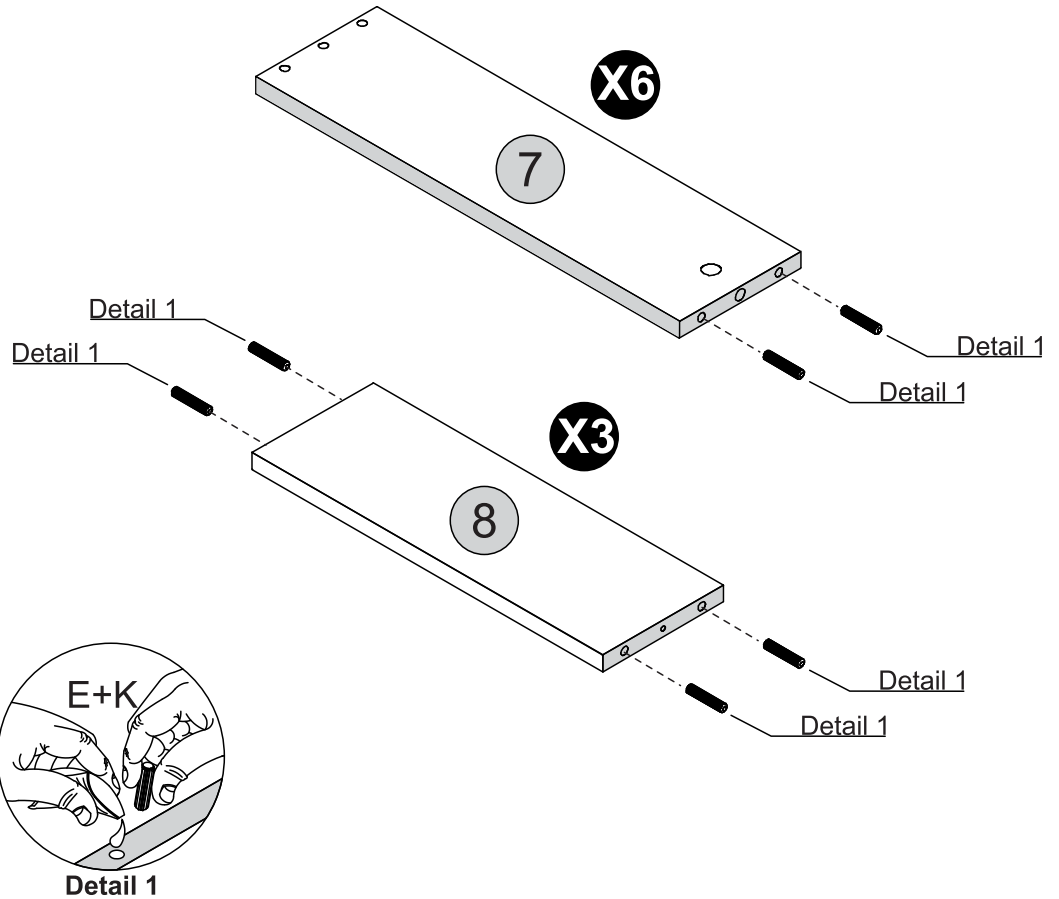
8 - DRAWER BACK PANEL x3

HARDWARE REQUIRED

E  24
Ø6 x 30mm

K  01
GLUE

TOOLS REQUIRED

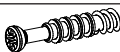


STEP 12

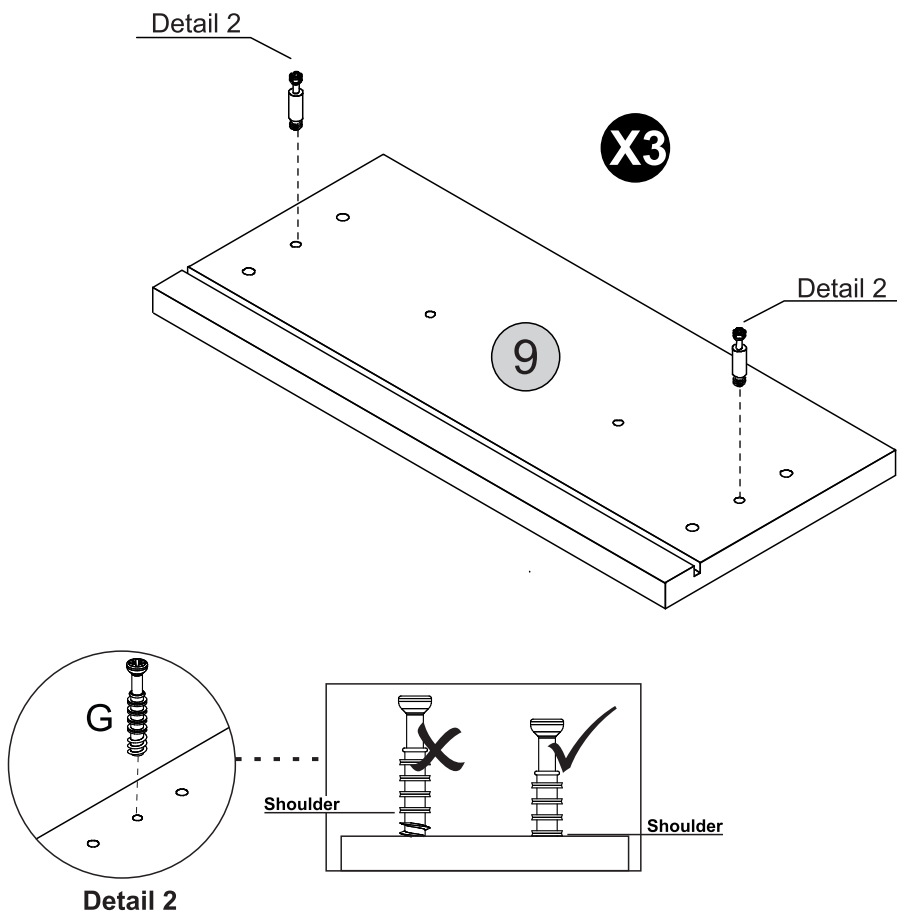
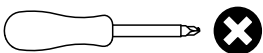
PARTS REQUIRED

9 - DRAWER FRONT x3

HARDWARE REQUIRED

G  06

TOOLS REQUIRED



STEP 13

PARTS REQUIRED

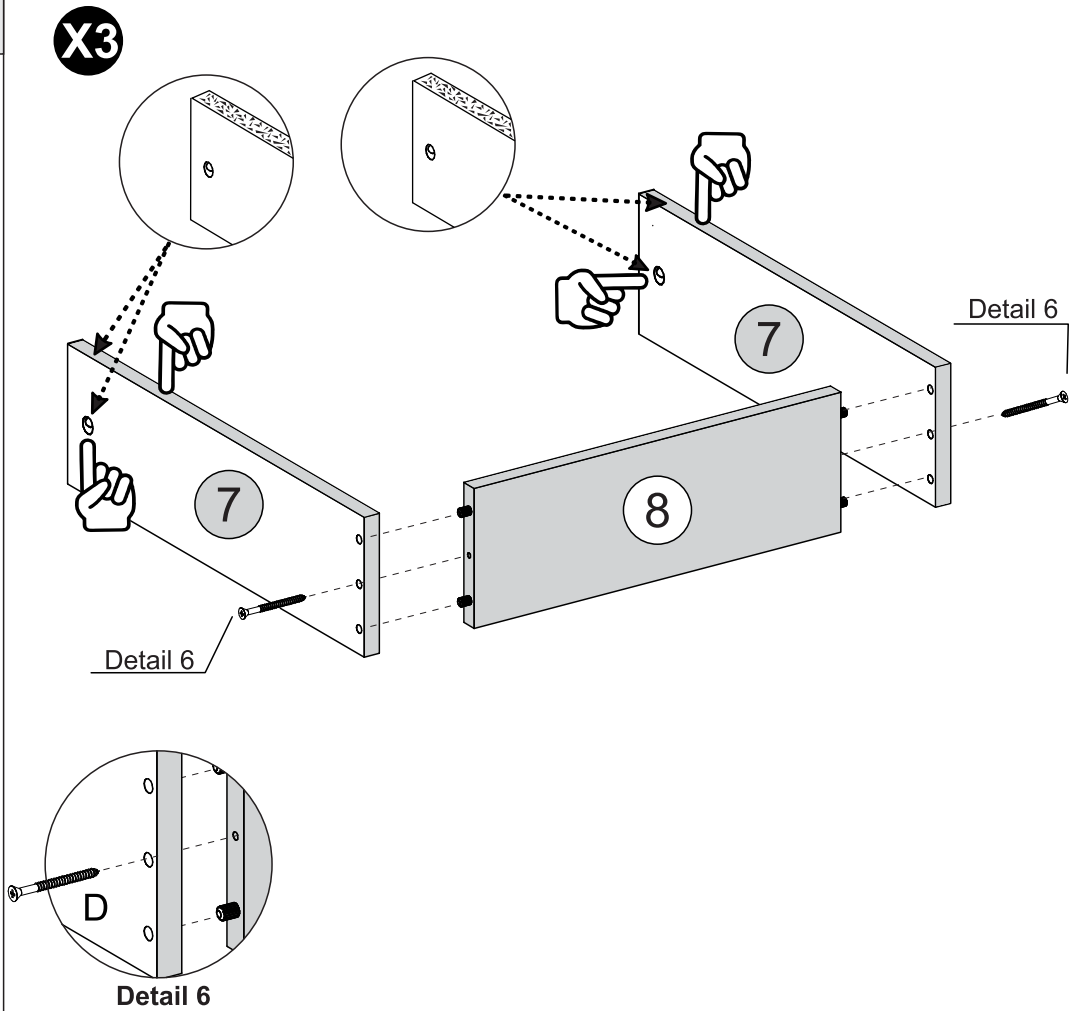
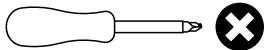
7 - DRAWER SIDE x6

8 - DRAWER BACK PANEL x3

HARDWARE REQUIRED

D  06
Ø4 x 50mm

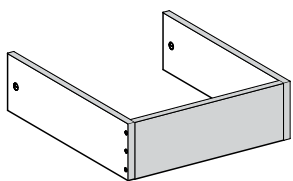
TOOLS REQUIRED



STEP 14

PARTS REQUIRED

9 - DRAWER FRONT x3

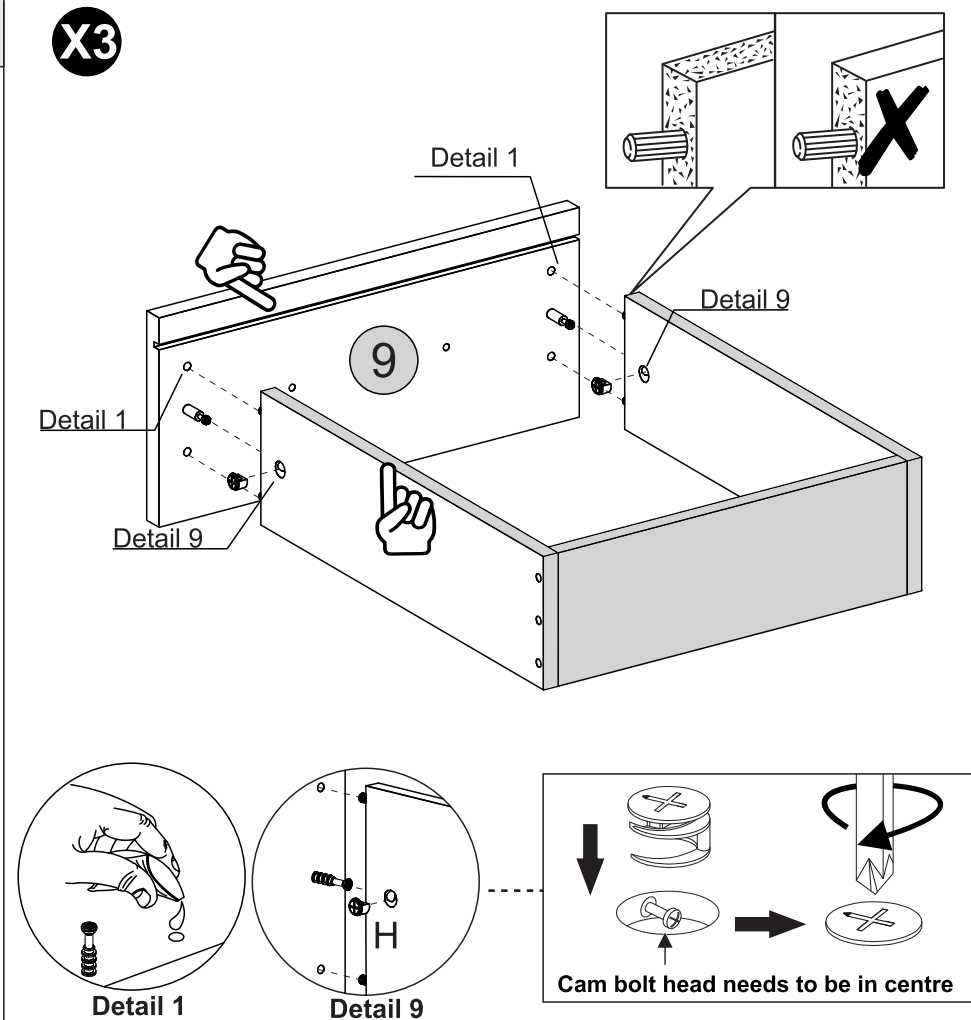
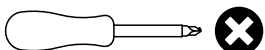


HARDWARE REQUIRED

H  06

K  01
GLUE

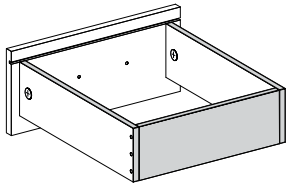
TOOLS REQUIRED



STEP 15

PARTS REQUIRED

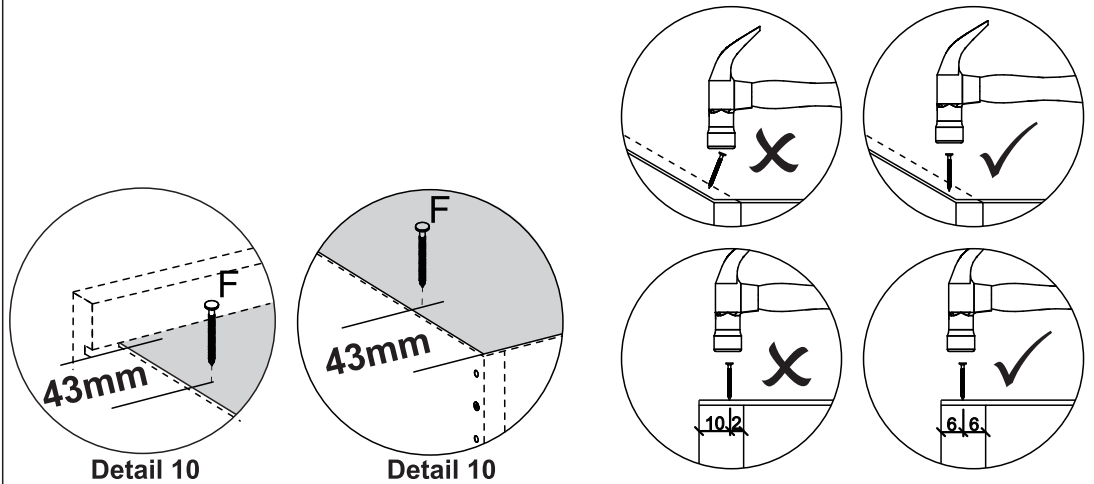
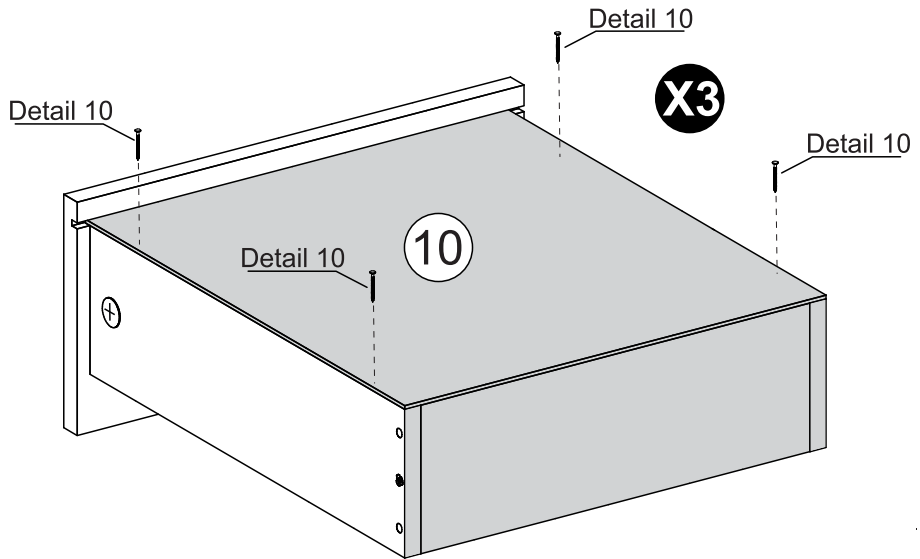
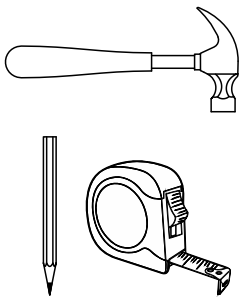
10 - DRAWER BOTTOM x3



HARDWARE REQUIRED

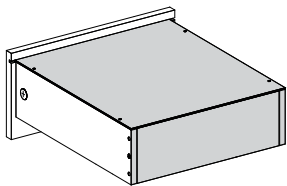
F  12
10 x 10

TOOLS REQUIRED



STEP 16

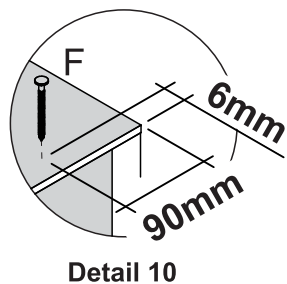
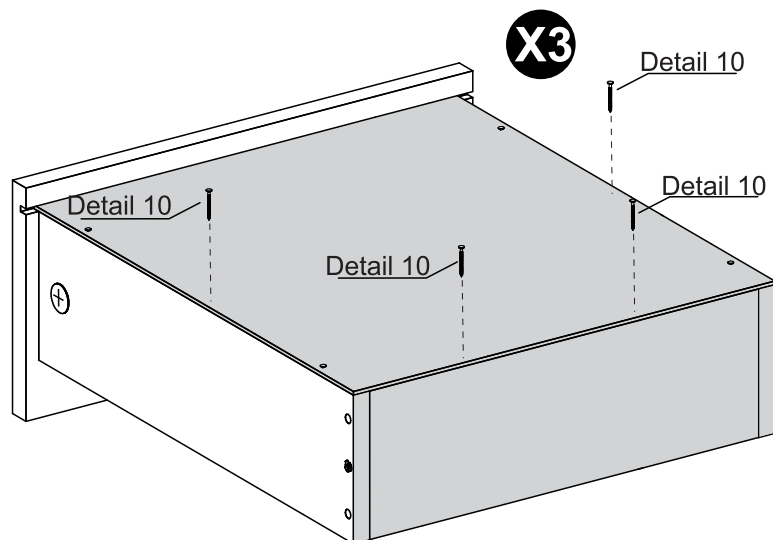
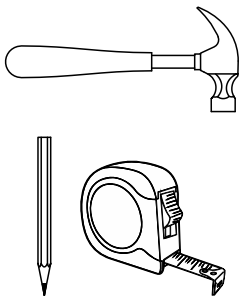
PARTS REQUIRED



HARDWARE REQUIRED

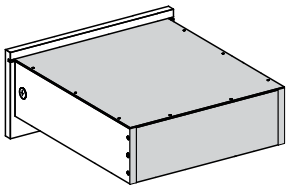
F  12
10 x 10

TOOLS REQUIRED

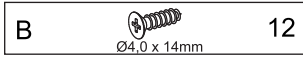


STEP 17

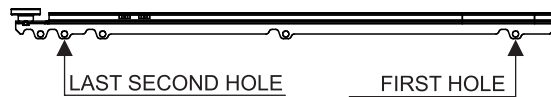
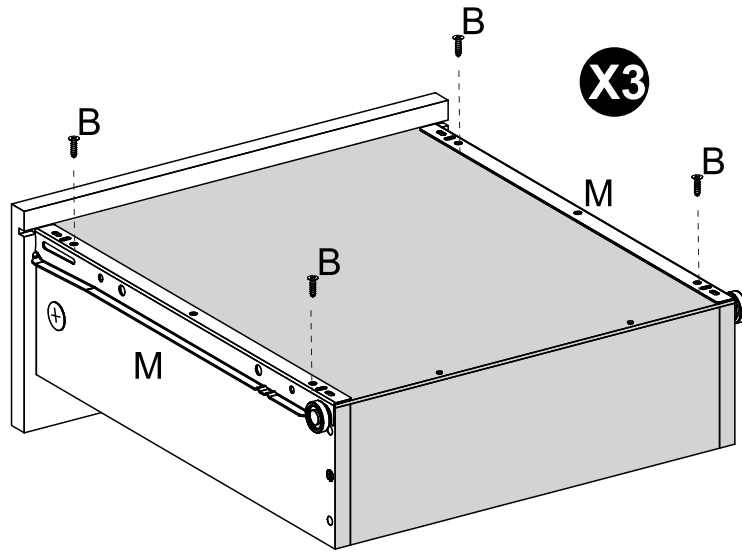
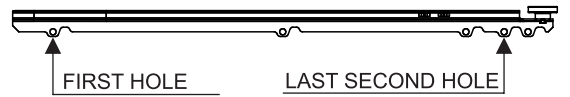
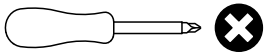
PARTS REQUIRED



HARDWARE REQUIRED

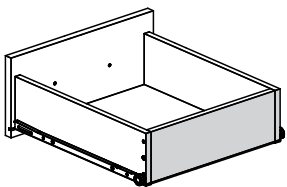


TOOLS REQUIRED



STEP 18

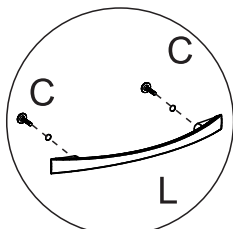
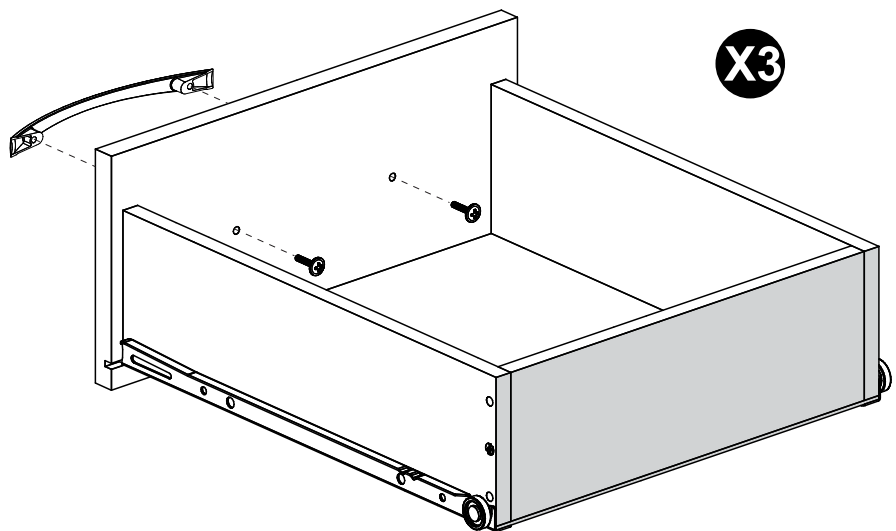
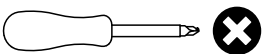
PARTS REQUIRED



HARDWARE REQUIRED



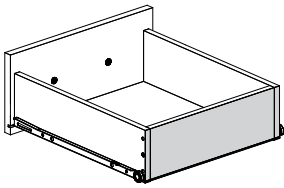
TOOLS REQUIRED



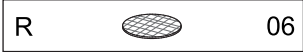
Detail 11

STEP 19

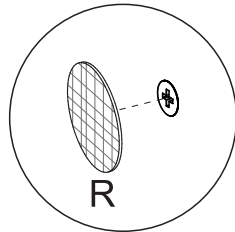
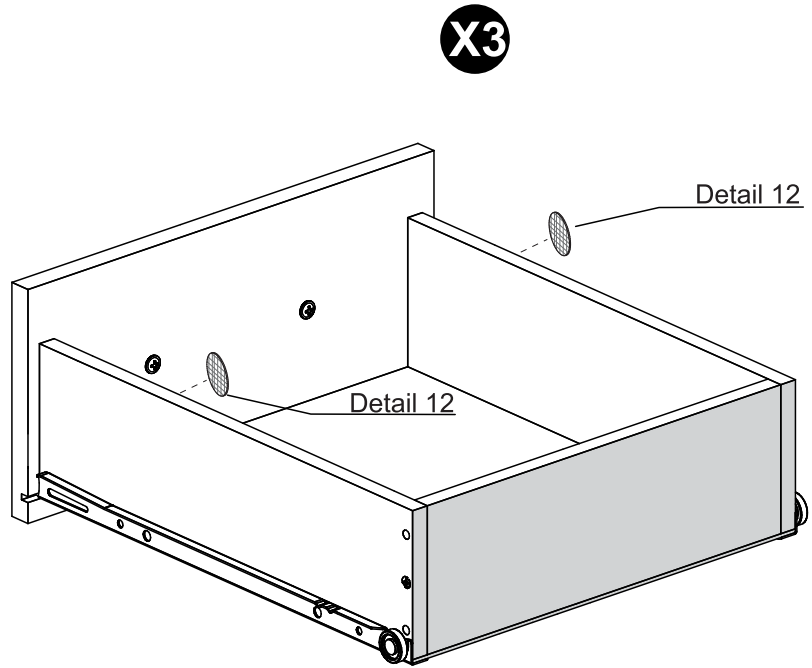
PARTS REQUIRED



HARDWARE REQUIRED



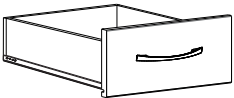
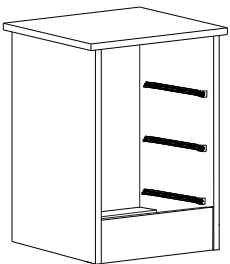
TOOLS REQUIRED



Detail 12

STEP 20

PARTS REQUIRED



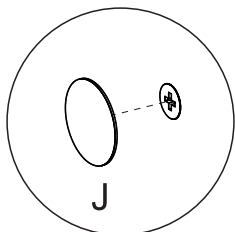
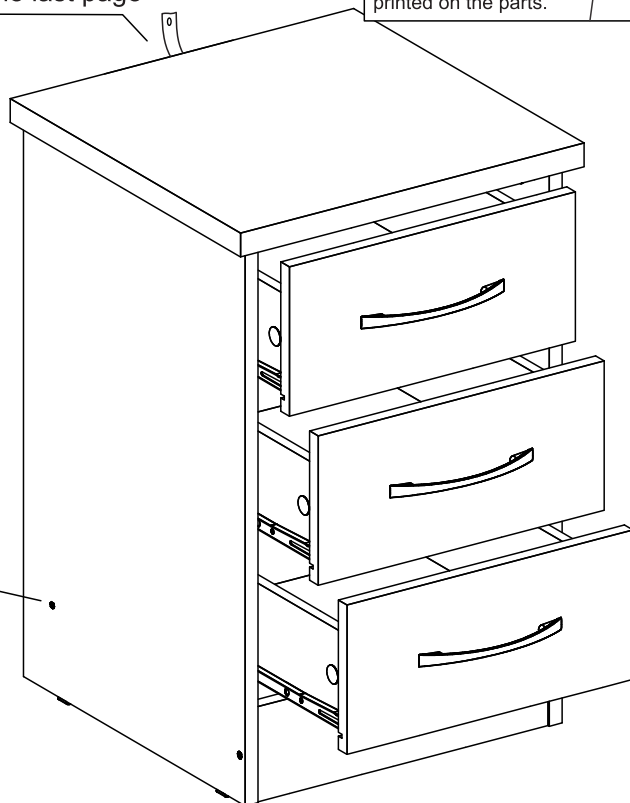
HARDWARE REQUIRED



TOOLS REQUIRED

See the last page

TIP
If desired, after assembly use an alcohol cleaner to erase the number printed on the parts.



Detail 12

WARNING

Serious or fatal injuries can occur from furniture tipping over. To prevent the furniture from tipping over we recommend that it is permanently fixed to the wall.

Wall fixings are not supplied with this product as different wall materials require different types of fixing devices.

Please make sure you use fixings suitable for the walls in your home.

