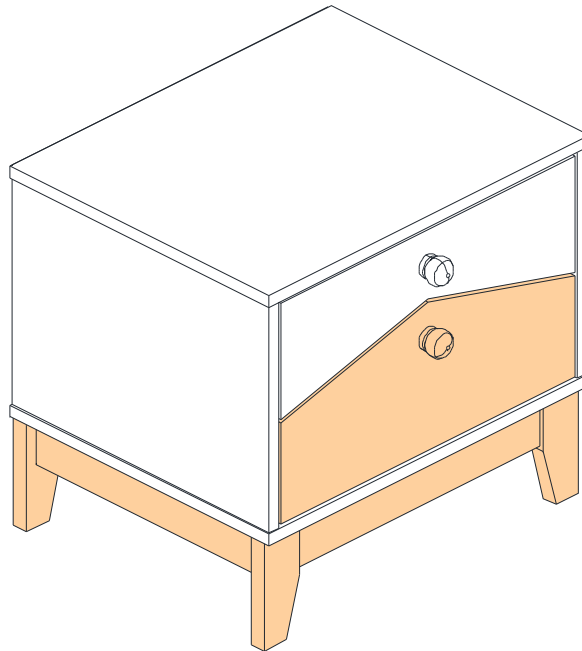


# CODY 2 DRAWER BEDSIDE ASSEMBLY INSTRUCTIONS WHITE/PINE EFFECT

XXXXXX



## **IMPORTANT FOR DOMESTIC USE ONLY PLEASE READ BEFORE YOU CONTINUE FURTHER CARE AND MAINTENANCE**

After unpacking this product please keep the original packaging in case it needs to be returned for any reason.

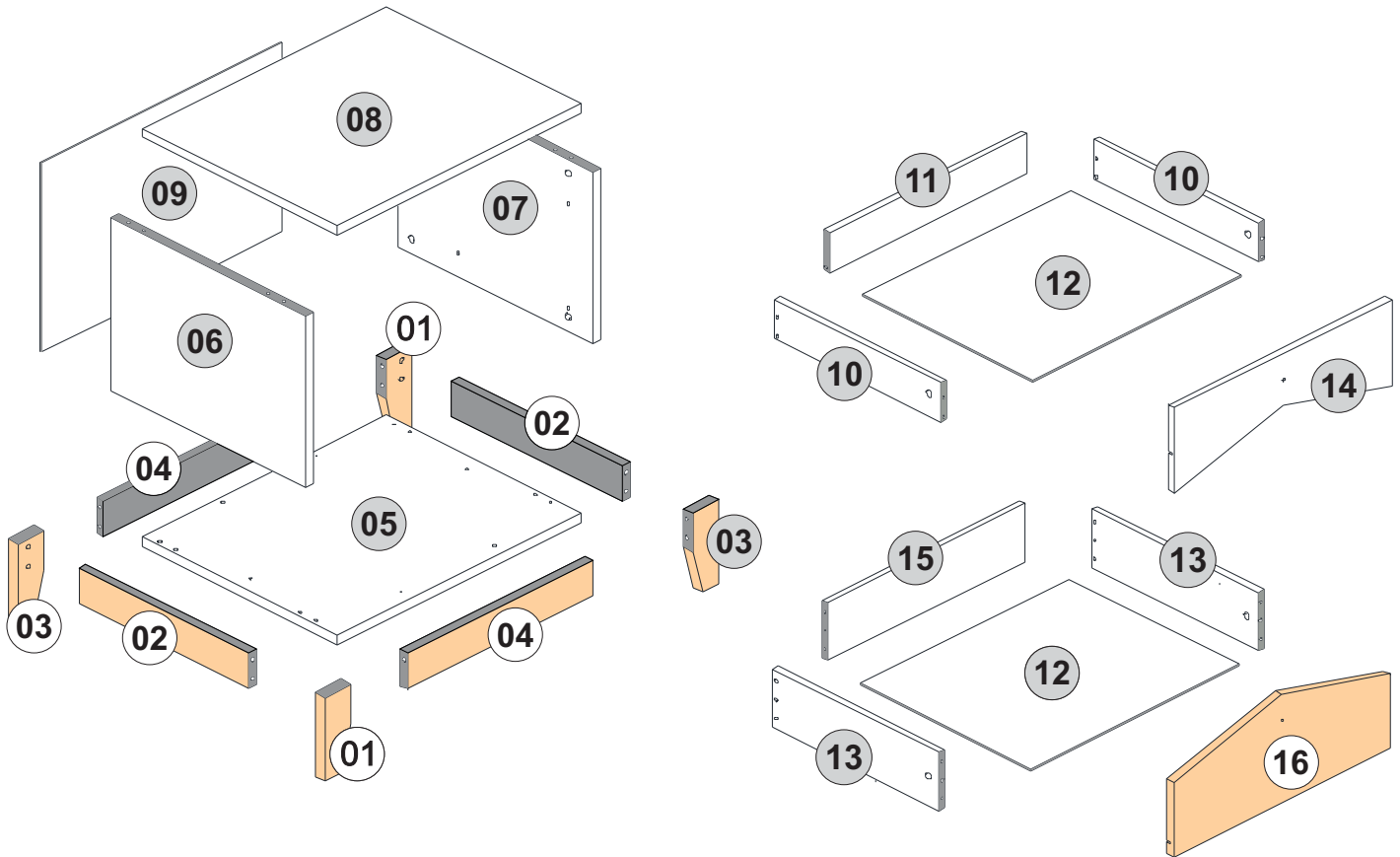
- Please ensure all fittings and parts are present before commencing with assembly.
- Never drag or push products as this could cause damage to the joints making it inferior.
- We strongly recommend that you keep children away from your work area.
- We recommend that you lay a blanket or sheet on the floor to avoid damage to both your floor and the product.
- Assemble this product as close to its final position as possible.
- Do not place this product next to a radiator or in direct sunlight.
- Do not drag or push items across your high gloss furniture as this may cause the surface to scratch
- Wood is a natural product and may expand if subjected to damp and may shrink or crack if subjected to heat. Therefore it is recommended that room temperature is maintained, with no sudden temperature fluctuations.
- Make sure any spillage is wiped off immediately.
- Do not place hot or chilled items directly on to the surface, use a place mat or marking will occur.
- For general cleaning use a soft cotton or micro fibre cloth, and do not use detergents of any kind.
- From time to time it may be necessary to tighten fittings, regular inspections should be carried out.
- Do not place on a wet or damp floor as staining may occur to your floor.



\* Use of power tools to assemble this product will invalidate any claim and could damage this product making it unsafe!!!  
\* Please assemble on a clean soft surface to avoid damage.



\* Please check contents and read the instructions before commencing assembly.  
\* Assemble this product following the enclosed instructions carefully.  
\* Please take care to avoid damaging parts during assembly.







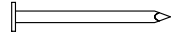



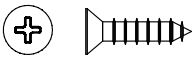




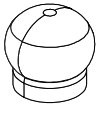
## PART LIST

### Please Note:

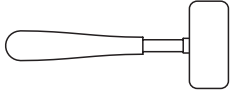
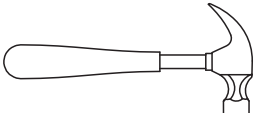
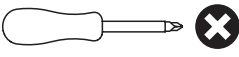
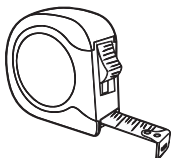
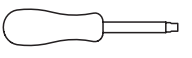

The below parts have all been stamped with the part number/color to help identify them during assembly.

Part Number	Part Code	Part Description	Quantity	Carton
1	S100-103-090-DV1-01	Left Leg	2	1/1
2	S100-103-090-DV1-02	Leg Support Left & Right	2	1/1
3	S100-103-090-DV1-03	Right Leg	2	1/1
4	S100-103-090-DV1-04	Leg Support Front & Back	2	1/1
5	S100-103-090-DV1-05	Base Panel	1	1/1
6	S100-103-090-DV1-06	Left Side Panel	1	1/1
7	S100-103-090-DV1-07	Right Side panel	1	1/1
8	S100-103-090-DV1-08	Top Panel	1	1/1
9	S100-103-090-DV1-09	Back Panel	1	1/1
10	S100-103-090-DV1-10	Drawer Side (Small)	2	1/1
11	S100-103-090-DV1-11	Drawer Back (Small)	1	1/1
12	S100-103-090-DV1-12	Drawer Base	2	1/1
13	S100-103-090-DV1-13	Drawer Side (Large)	2	1/1
14	S100-103-090-DV1-14	Drawer Front White (Small)	1	1/1
15	S100-103-090-DV1-15	Drawer Back (Large)	1	1/1
16	S100-103-090-DV1-16	Drawer Front Pine (Large)	1	1/1

### FITTINGS LIST

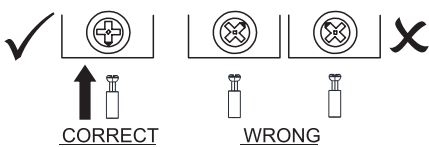
<p><b>A</b></p>  <p>Glue (2x)</p>	<p><b>B</b></p>  <p>2/+ Dowel Ø6,0 x 30mm (28x)</p>	<p><b>C</b></p>  <p>Slide 350mm (2x)</p>	<p><b>D</b></p>  <p>1/+ Flat Head Screw Ø4,0 x 40mm (8x)</p>
<p><b>E</b></p>  <p>2/+ Nail 10 x 10 (22x)</p>	<p><b>F</b></p>  <p>1/+ Cam Nut 12mm (4x)</p>	<p><b>G</b></p>  <p>1/+ Cam Bolt (20x)</p>	<p><b>H</b></p>  <p>1/+ Screw Ø 6x8 (8x)</p>
<p><b>I</b></p>  <p>1/+ Flat Head Screw Ø3,0 x 14mm (8x)</p>	<p><b>J</b></p>  <p>2/+ Hole Plugs (4x)</p>	<p><b>K</b></p>  <p>1/+ Flan Head Screw Ø4,0 x 30mm (2x)</p>	<p><b>L</b></p>  <p>1/+ Cam Nut 15mm (16x)</p>
<p><b>M</b></p>  <p>2/+ Dowel Ø8,0 x 30mm (8x)</p>	<p><b>N</b></p>  <p>Handle(2x)</p>		

### TOOLS REQUIRED

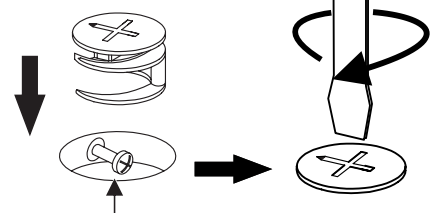
	
	
	

### TIPS FOR FITTINGS CAM-LOCKS

WHEN FITTING CAM NUT. ENSURE STARTING POSITION IS CORRECT BEFORE YOU INSERT CONNECTING CAM BOLT TURN CLOCKWISE UNTIL SECURE



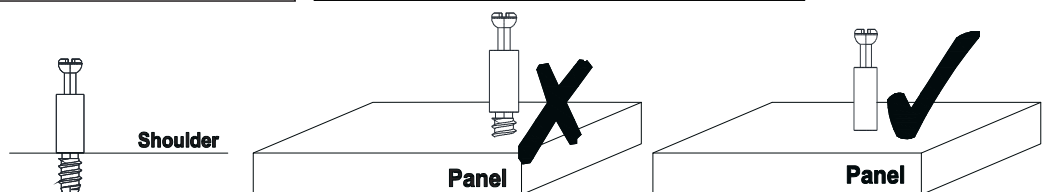
**CORRECT**      **WRONG**



**Cam bolt head needs to be in centre**

#### CAMBOLT

Tighten until shoulder in flush with panel. Do not overtighten or undertighten (see example beside)



# STEP 1

## PARTS REQUIRED

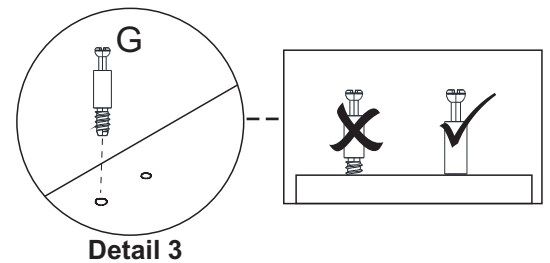
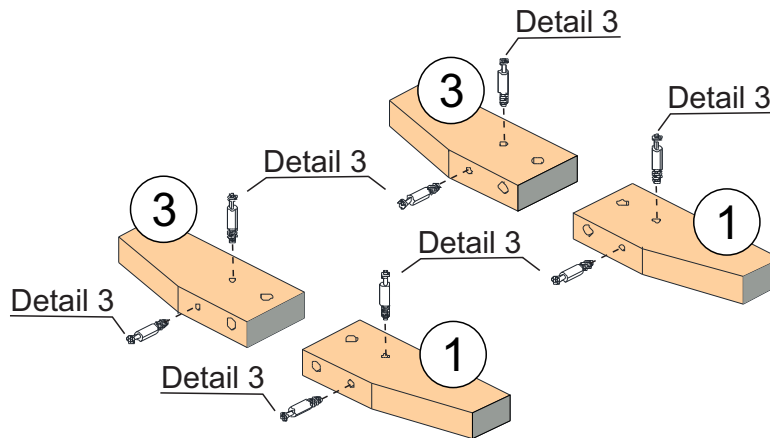
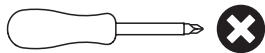
1 - LEFT LEG x2

3 - RIGHT LEG x2

## HARDWARE REQUIRED

G  08

## TOOLS REQUIRED



# STEP 2


## PARTS REQUIRED


2- LEG SUPPORT LEFT&RIGHT x2

4- LEG SUPPORT FRONT&BACK x2

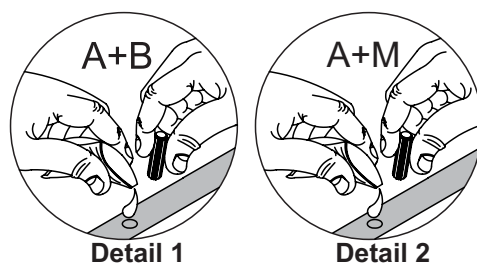
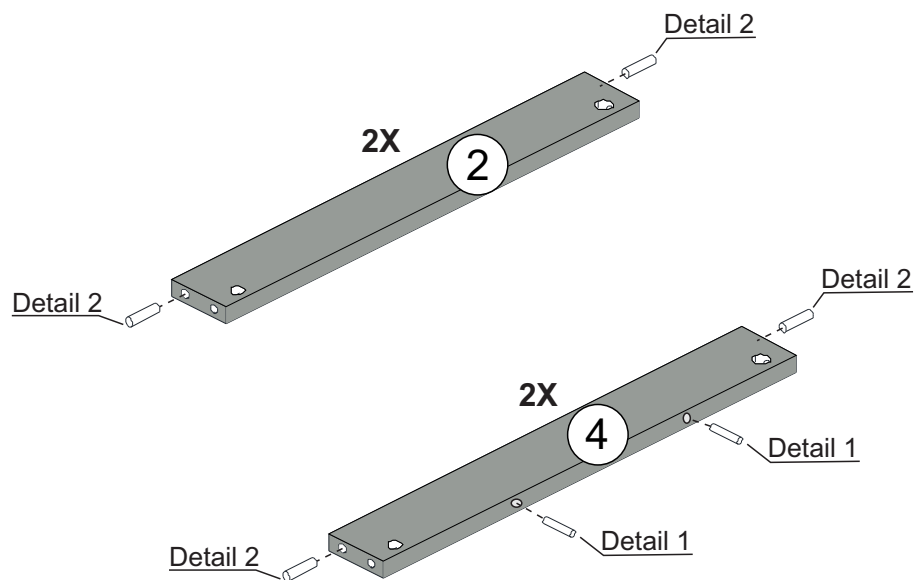
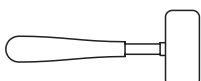
## HARDWARE REQUIRED

A  01

B  Ø6 x 30mm 04

M  Ø8 x 30mm 08

## TOOLS REQUIRED



# STEP 3

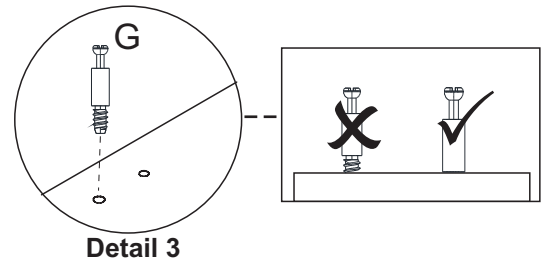
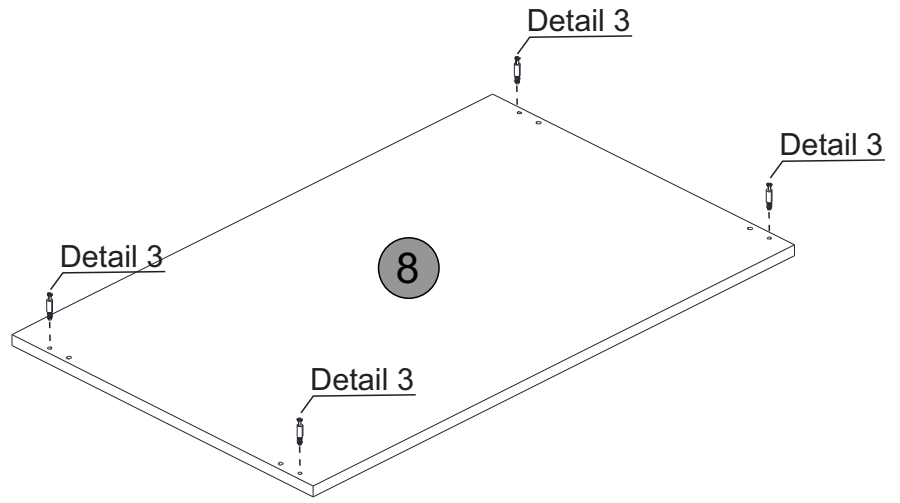
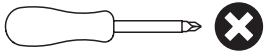
PARTS REQUIRED

8 - TOP PANEL x1

HARDWARE REQUIRED

G  04

TOOLS REQUIRED



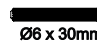
# STEP 4

PARTS REQUIRED

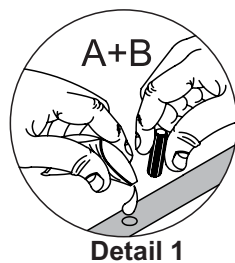
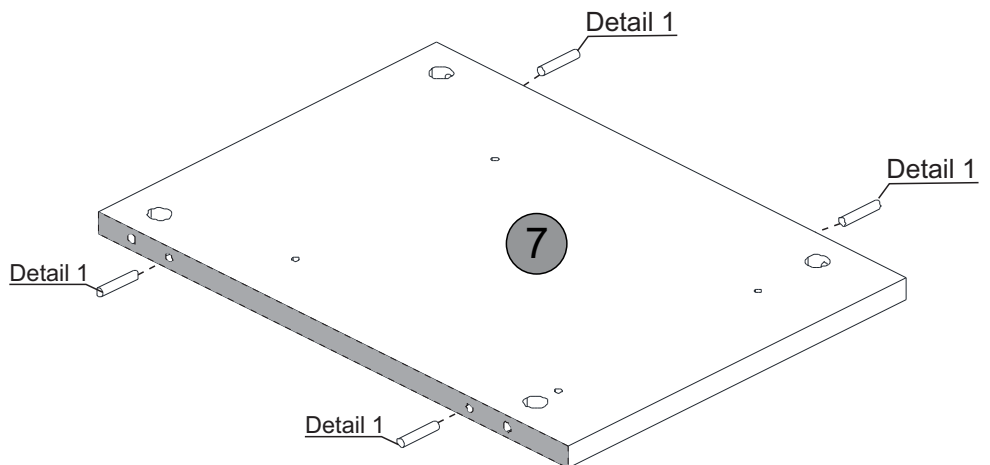
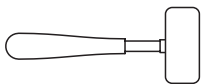
7- RIGHT SIDE PANEL x1

HARDWARE REQUIRED

A  01

B  Ø6 x 30mm 04

TOOLS REQUIRED



# STEP 5

## PARTS REQUIRED

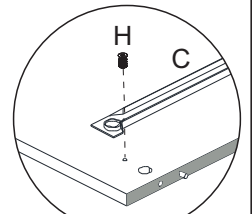
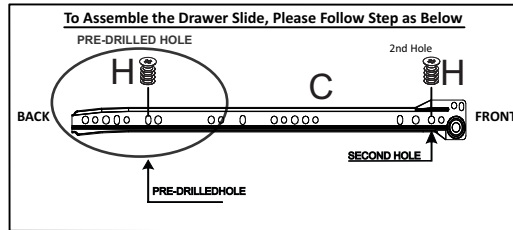
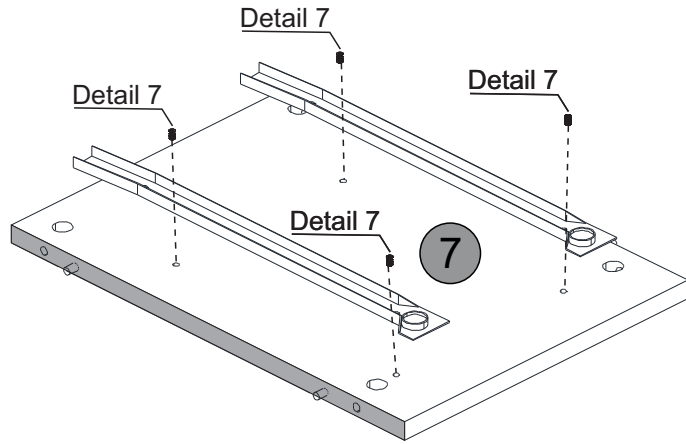
7- RIGHT SIDE PANEL x1

## HARDWARE REQUIRED

C  02  
350mm

H  04  
Ø6 x 8mm

## TOOLS REQUIRED



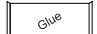
Detail 7

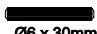
# STEP 6

## PARTS REQUIRED

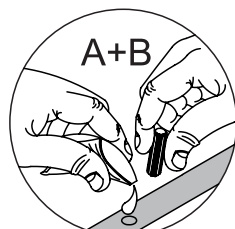
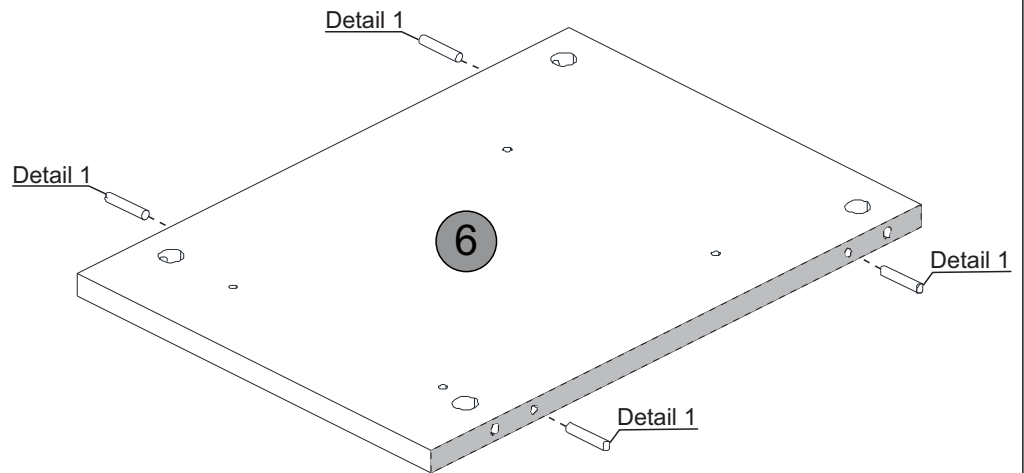
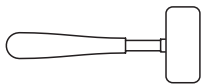
6- LEFT SIDE PANEL x1

## HARDWARE REQUIRED

A  01  
Glue

B  04  
Ø6 x 30mm

## TOOLS REQUIRED




Detail 1

# STEP 7

## PARTS REQUIRED

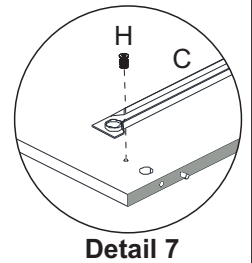
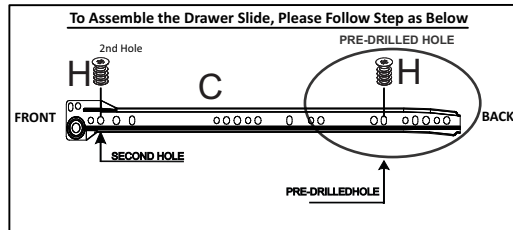
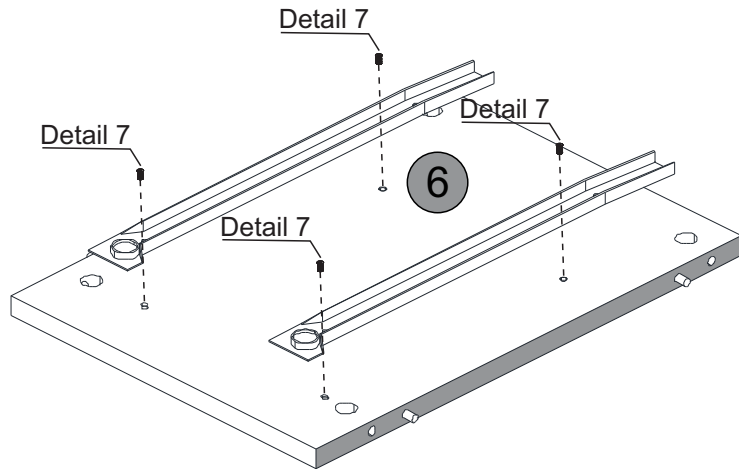
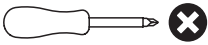
6- Left Side Panel x1

## HARDWARE REQUIRED

C  02  
350mm

H  04  
Ø6 x 8mm

## TOOLS REQUIRED



# STEP 8

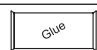
## PARTS REQUIRED

1- LEFT LEG x2

3- LEG RIGHT x2

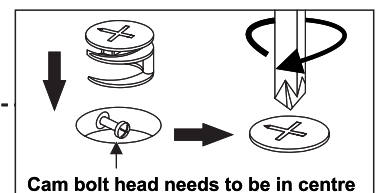
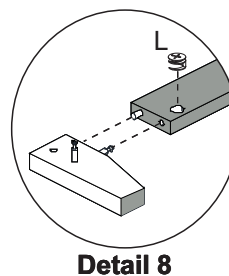
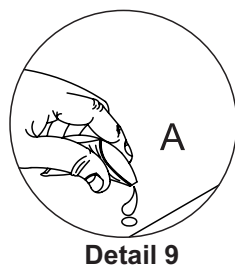
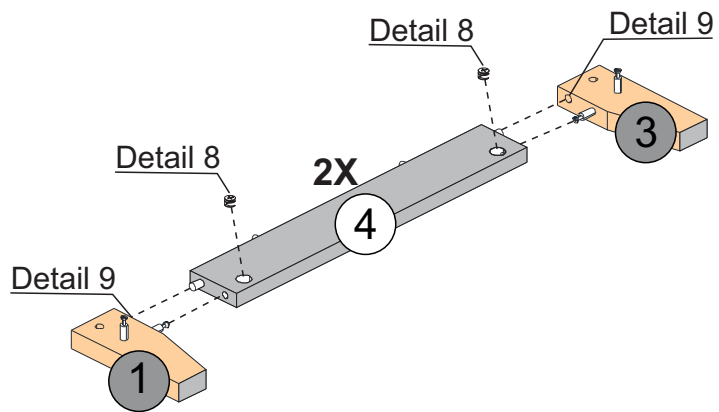
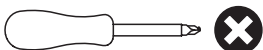
4- LEG SUPPORT FRONT & BACK x2

## HARDWARE REQUIRED

A  01  
Glue

L  04

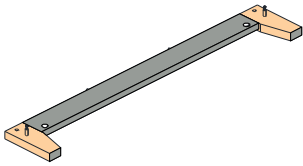
## TOOLS REQUIRED



# STEP 9

## PARTS REQUIRED

2- SUPPORT LEFT & RIGHT x2

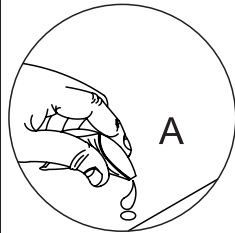
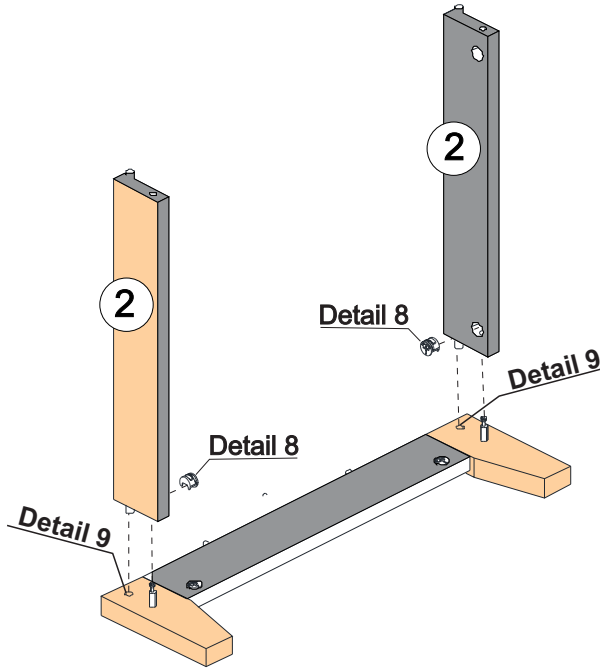
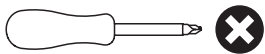


## HARDWARE REQUIRED

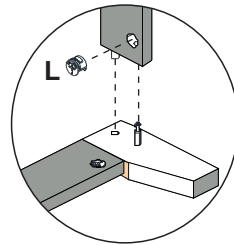
A  01

L  02

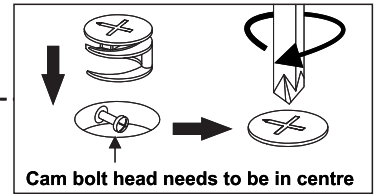
## TOOLS REQUIRED



Detail 9

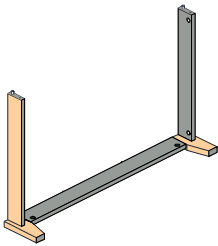


Detail 8



# STEP 10

## PARTS REQUIRED

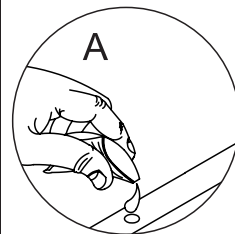
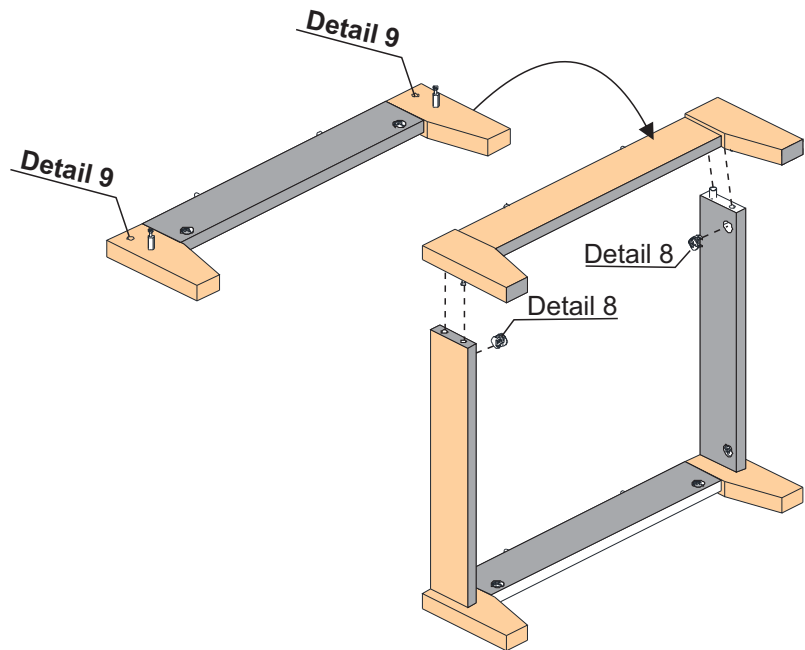
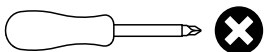


## HARDWARE REQUIRED

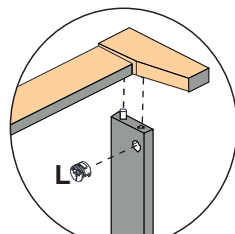
A  01

L  02

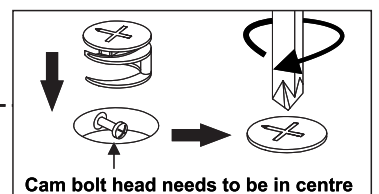
## TOOLS REQUIRED



Detail 9



Detail 8

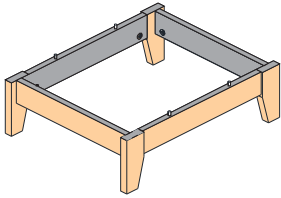




# STEP 11


## PARTS REQUIRED

5- BASE PANEL x1

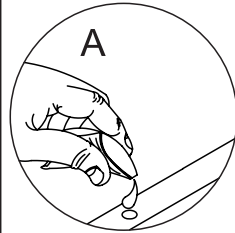
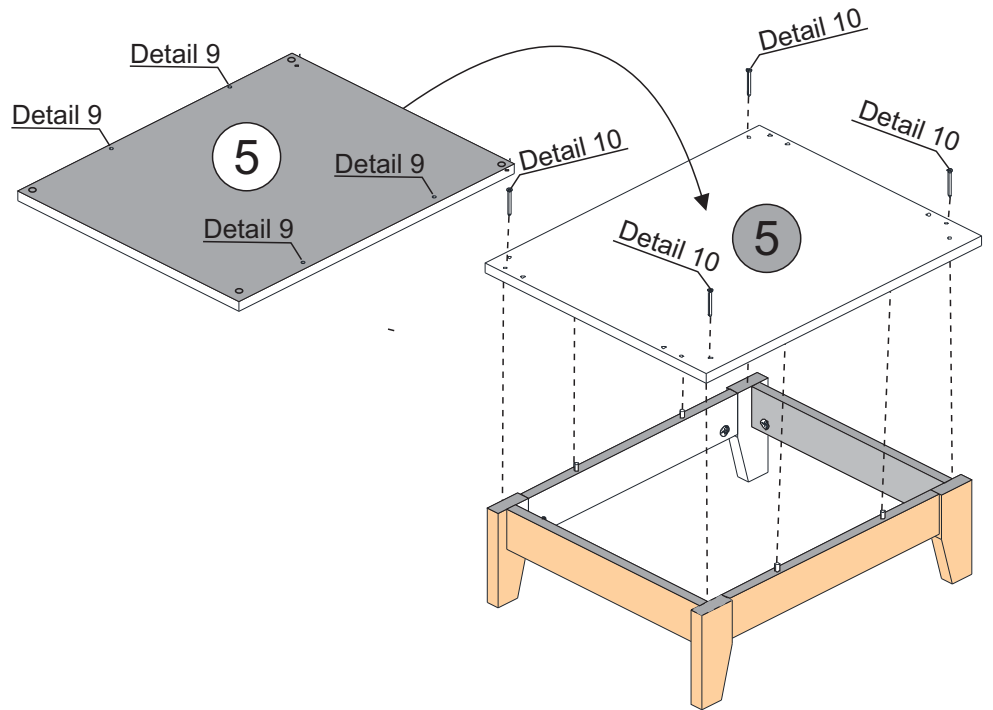
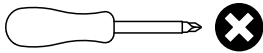


## HARDWARE REQUIRED

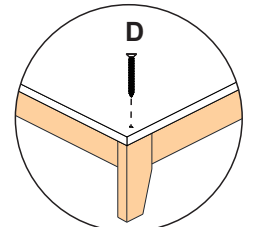
A  01

D  Ø4,0 x 40mm 04

## TOOLS REQUIRED



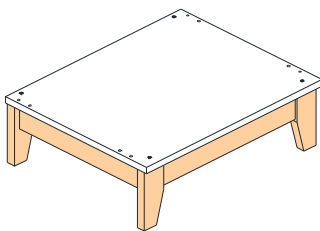
Detail 9



Detail 10

# STEP 12

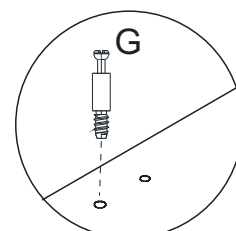
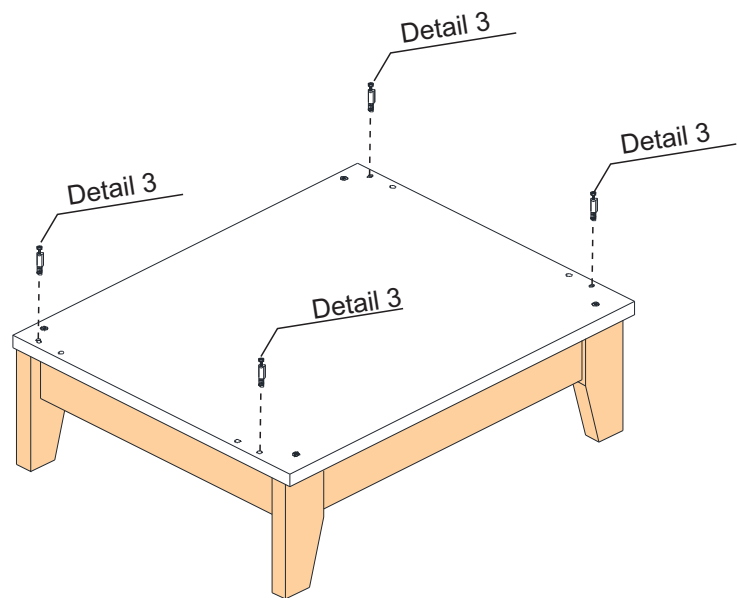
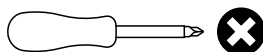
## PARTS REQUIRED



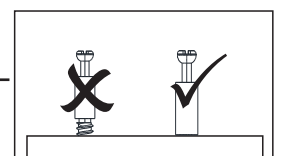
## HARDWARE REQUIRED

G  04

## TOOLS REQUIRED



Detail 3

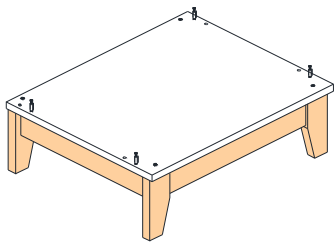


# STEP 13

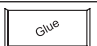
## PARTS REQUIRED

6- LEFT SIDE PANEL x1

7- RIGHT SIDE PANEL x1

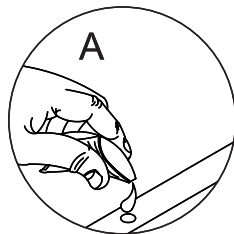
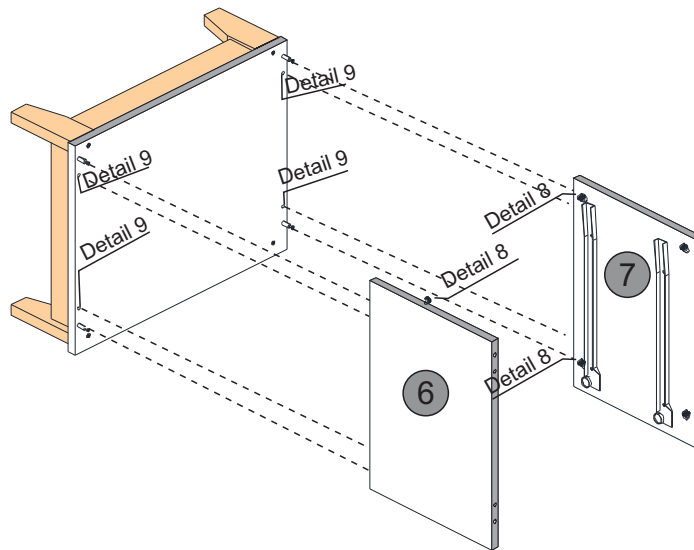
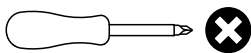


## HARDWARE REQUIRED

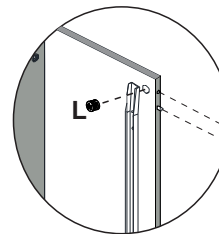
A  01

L  04

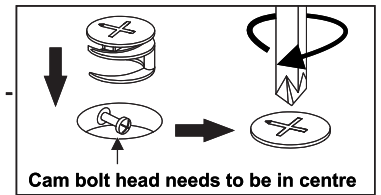
## TOOLS REQUIRED



Detail 9



Detail 8

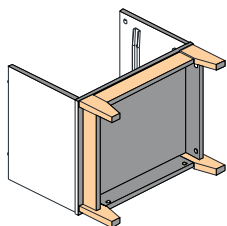


Cam bolt head needs to be in centre

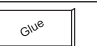
# STEP 14

## PARTS REQUIRED

8 - TOP PANEL x1

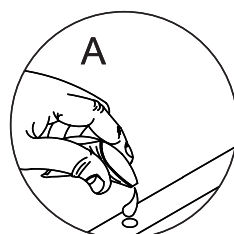
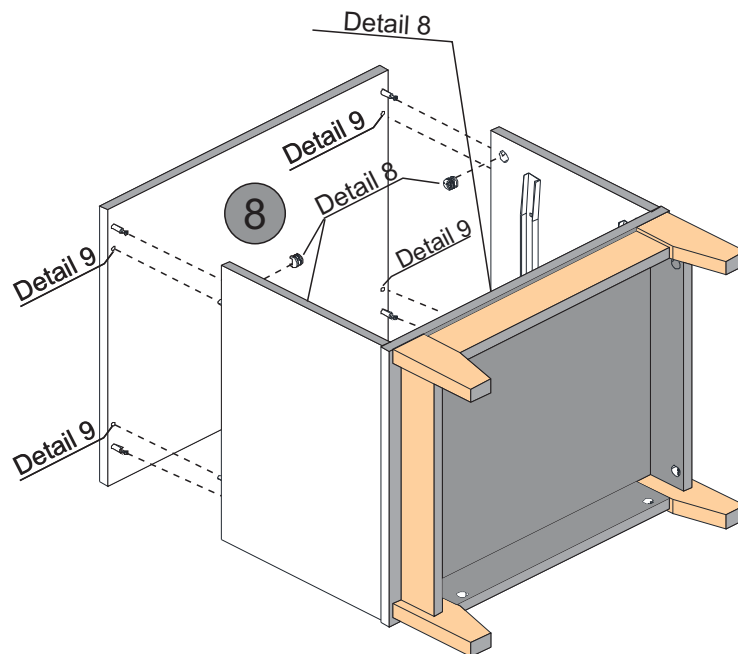
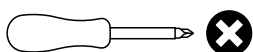


## HARDWARE REQUIRED

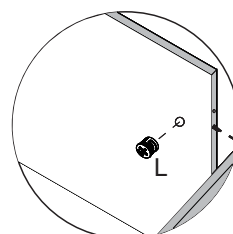
A  01

L  04

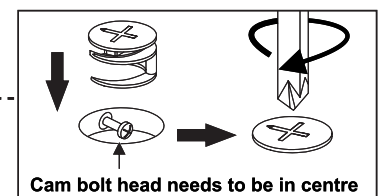
## TOOLS REQUIRED



Detail 9



Detail 8

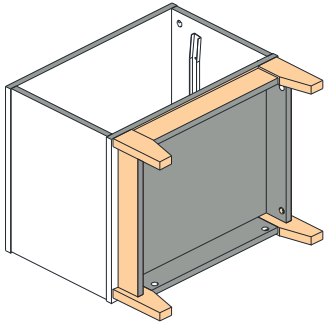


Cam bolt head needs to be in centre

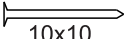
# STEP 15

## PARTS REQUIRED

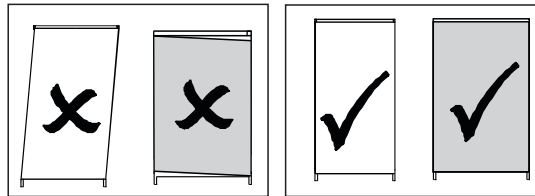
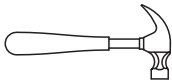
9 - BACK PANEL x1



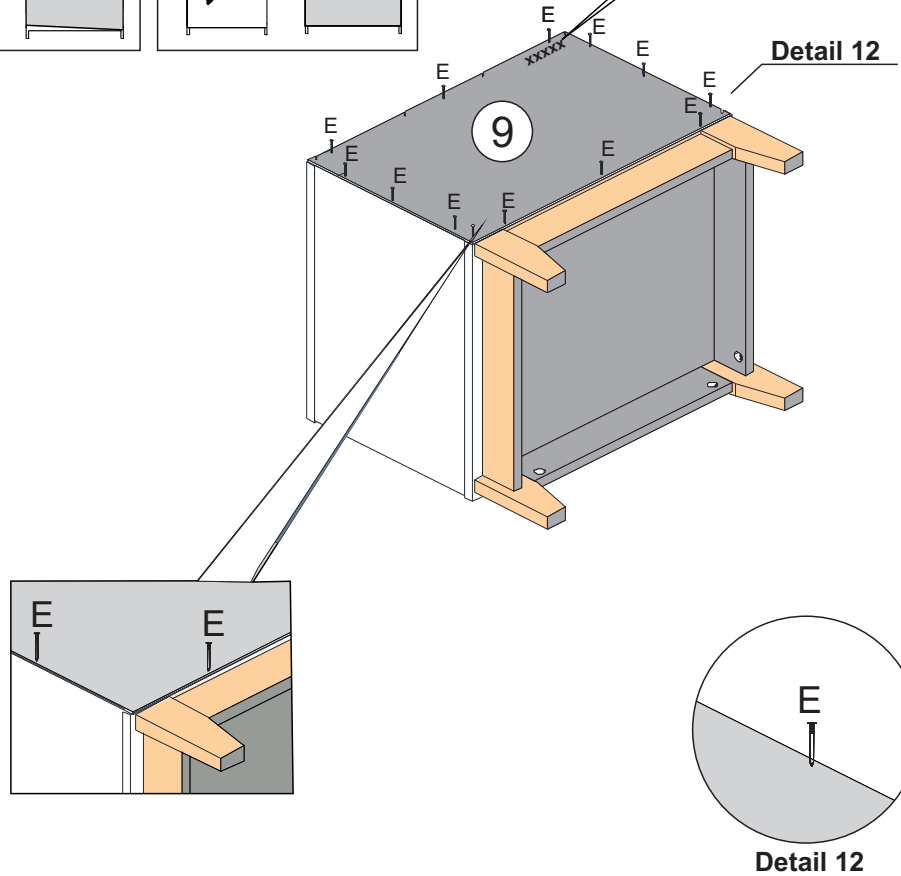
## HARDWARE REQUIRED

E  12  
10x10

## TOOLS REQUIRED



FOR YOUR REFERENCE  
ORDER NUMBER  
SHOULD BE HERE.



# STEP 16

## PARTS REQUIRED

13- DRAWER SIDE (LARGE) x2

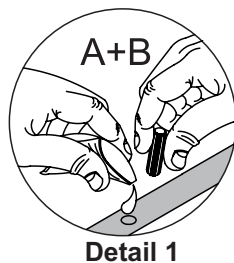
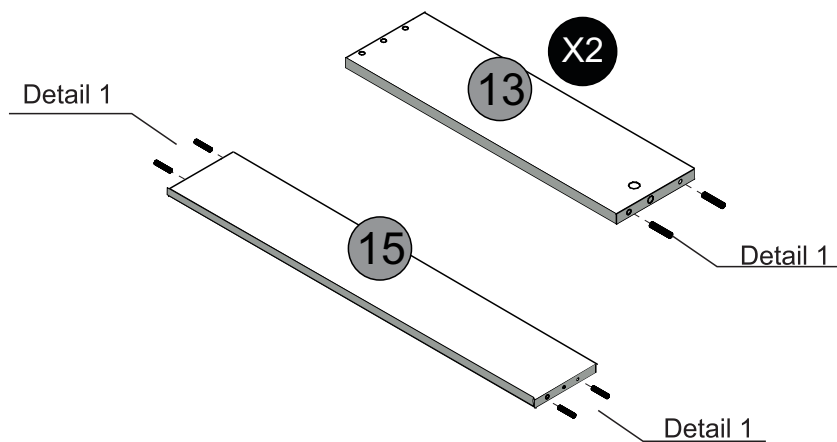
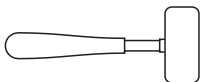
15- DRAWER BACK (LARGE) x1

## HARDWARE REQUIRED

A  01

B  08  
Ø6 x 30mm

## TOOLS REQUIRED



Detail 1

# STEP 17

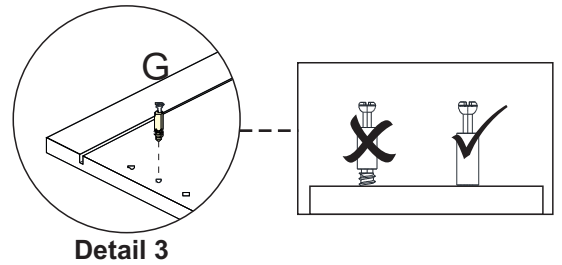
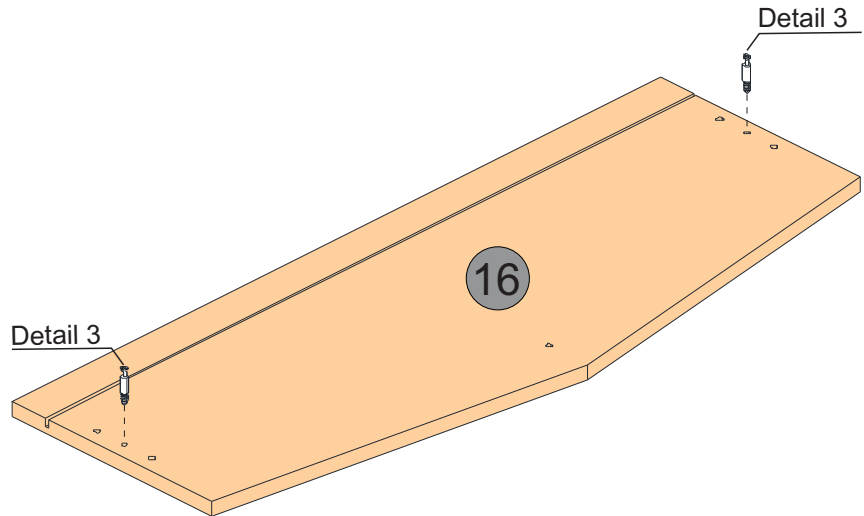
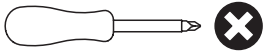
## PARTS REQUIRED

16- DRAWER FRONT PINE x1

## HARDWARE REQUIRED

G  02

## TOOLS REQUIRED



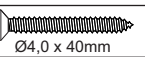
# STEP 18

## PARTS REQUIRED

13- DRAWER SIDE (LARGE) x2

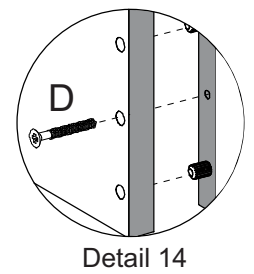
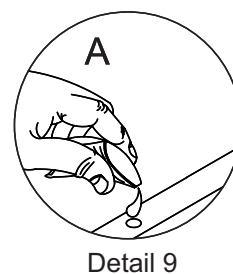
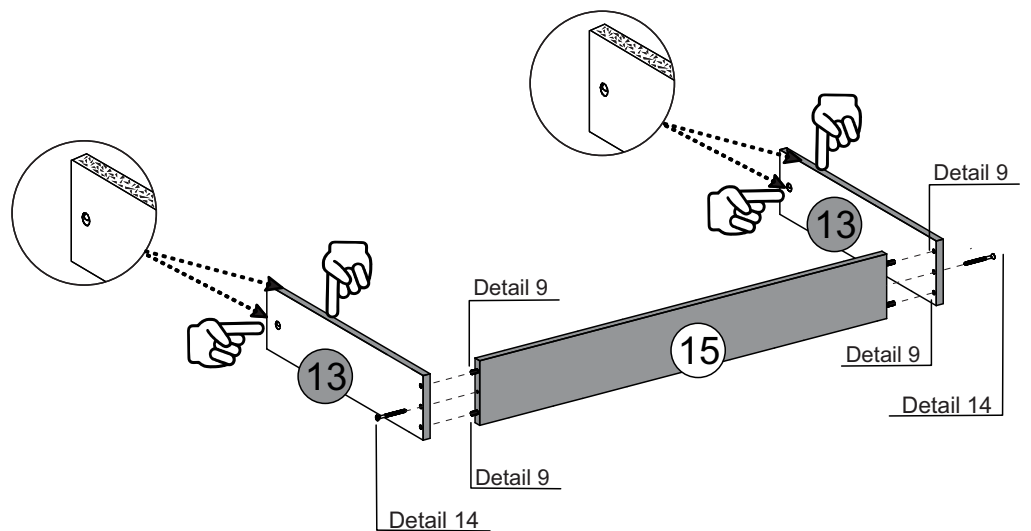
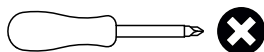
15- DRAWER BACK (LARGE) x1

## HARDWARE REQUIRED

D  Ø4,0 x 40mm 02

A  01

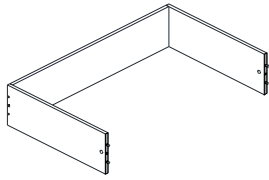
## TOOLS REQUIRED



# STEP 19

## PARTS REQUIRED

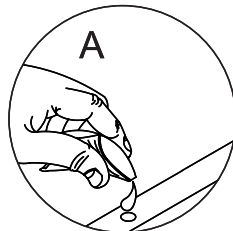
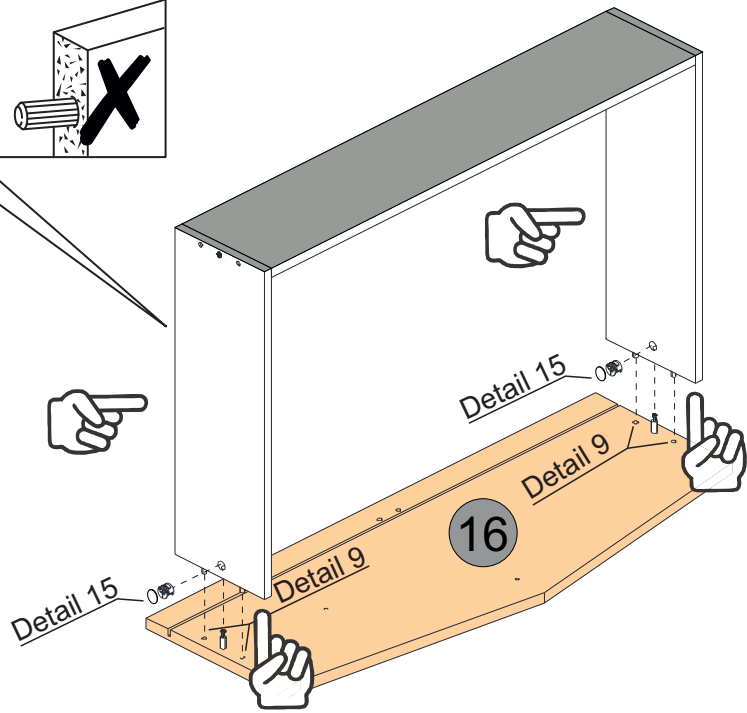
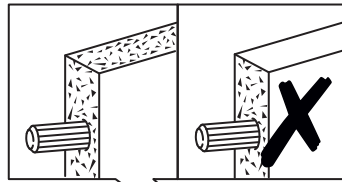
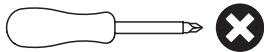
16 - DRAWER FRONT PINE x1



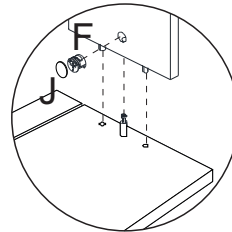
## HARDWARE REQUIRED

- A 01
- F Ø12mm 02
- J 02

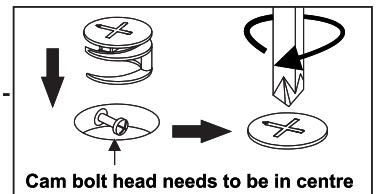
## TOOLS REQUIRED



Detail 9



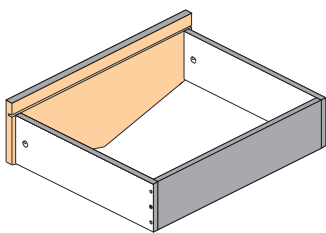
Detail 15



# STEP 20

## PARTS REQUIRED

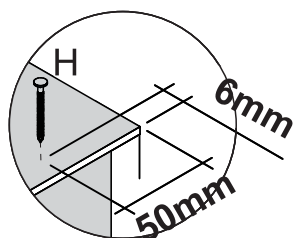
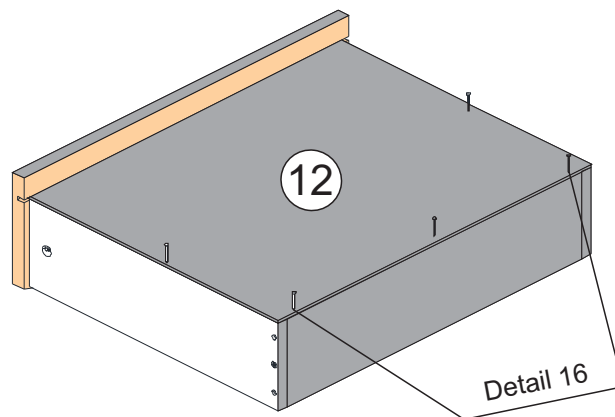
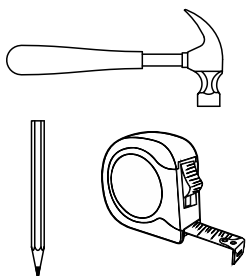
12 - DRAWER BASE x1



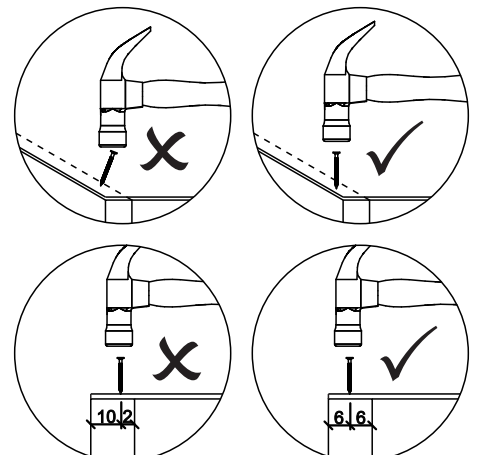
## HARDWARE REQUIRED

E 05

## TOOLS REQUIRED

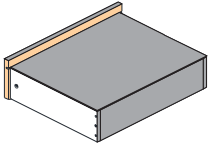


Detail 16

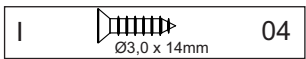
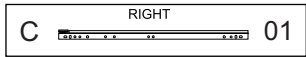
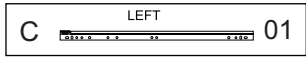


# STEP 21

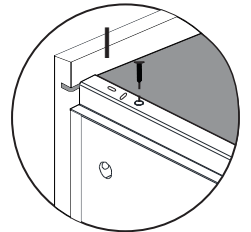
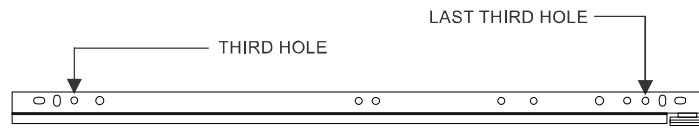
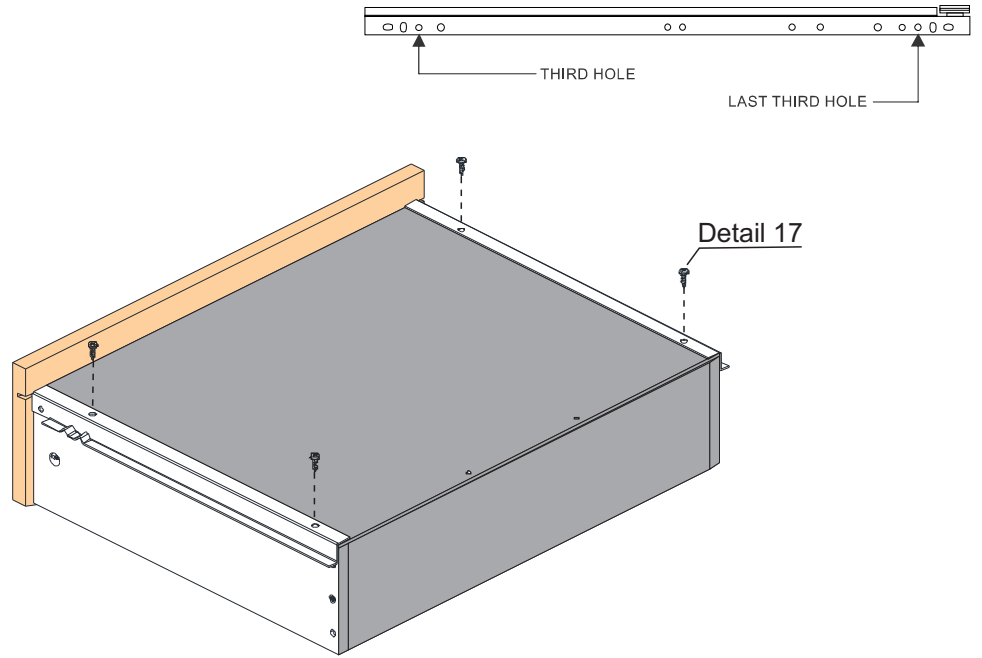
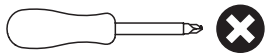
**PARTS REQUIRED**



**HARDWARE REQUIRED**



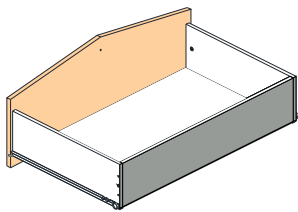
**TOOLS REQUIRED**



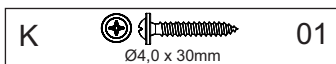
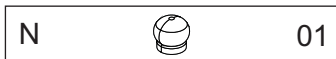
**Detail 17**

# STEP 22

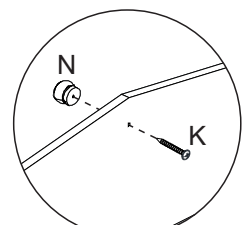
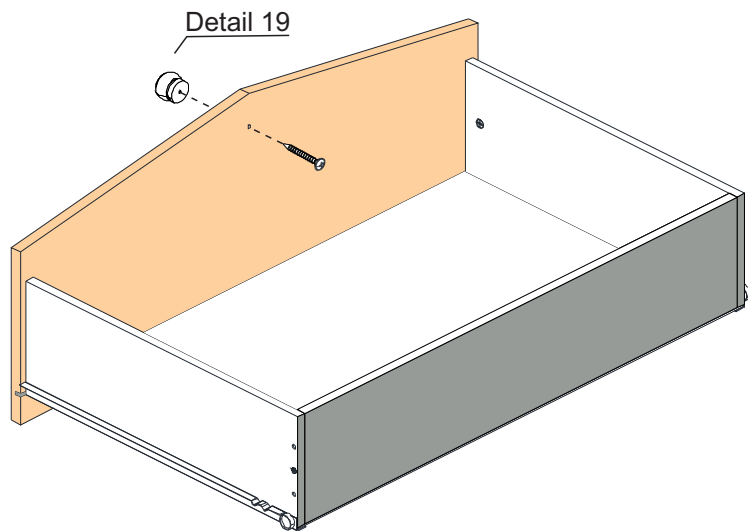
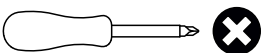
**PARTS REQUIRED**



**HARDWARE REQUIRED**



**TOOLS REQUIRED**



**Detail 19**

# STEP 23


## PARTS REQUIRED

10- DRAWER SIDE (SMALL) x2

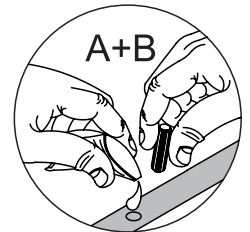
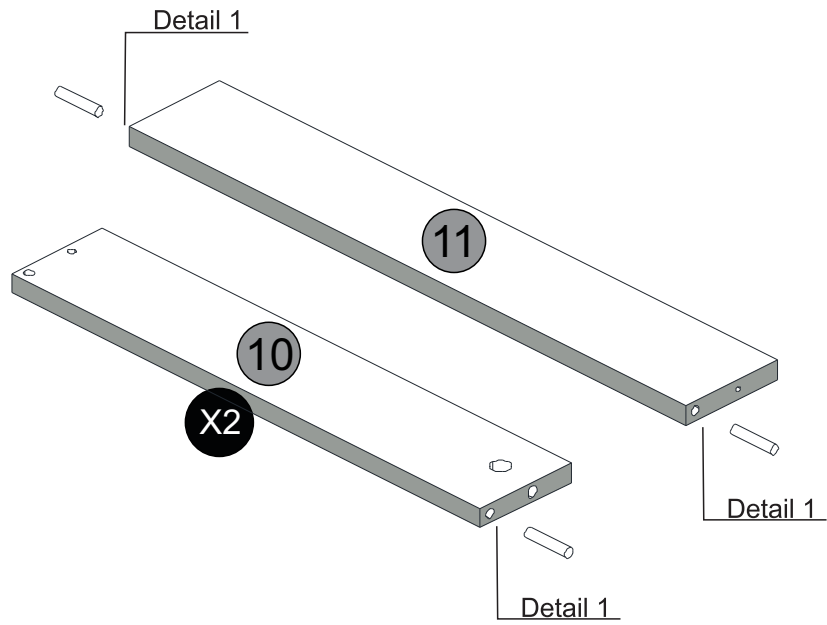
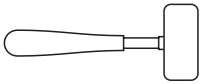
11- DRAWER BACK (SMALL) x1

## HARDWARE REQUIRED

A  01

B  Ø6 x 30mm 04

## TOOLS REQUIRED



Detail 1

# STEP 24

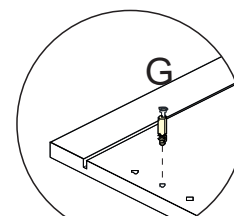
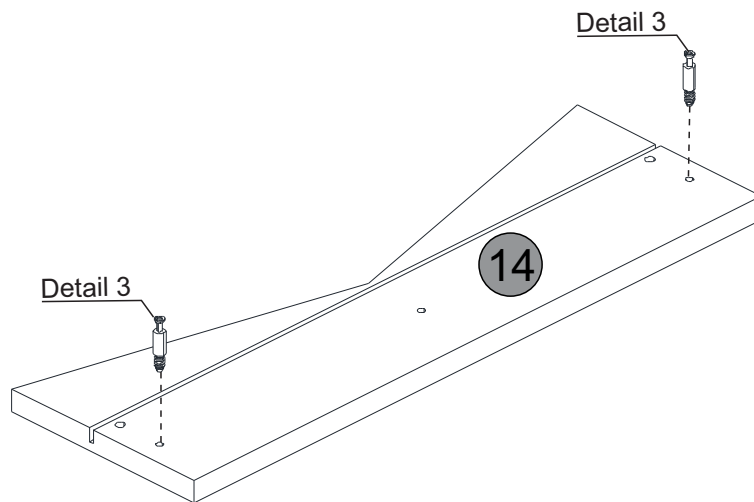
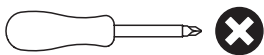
## PARTS REQUIRED

14- DRAWER FRONT WHITE x1

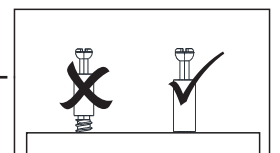
## HARDWARE REQUIRED

G  02

## TOOLS REQUIRED



Detail 3



# STEP 25

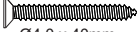
## PARTS REQUIRED

10- DRAWER SIDE (SMALL) x2

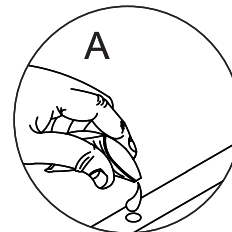
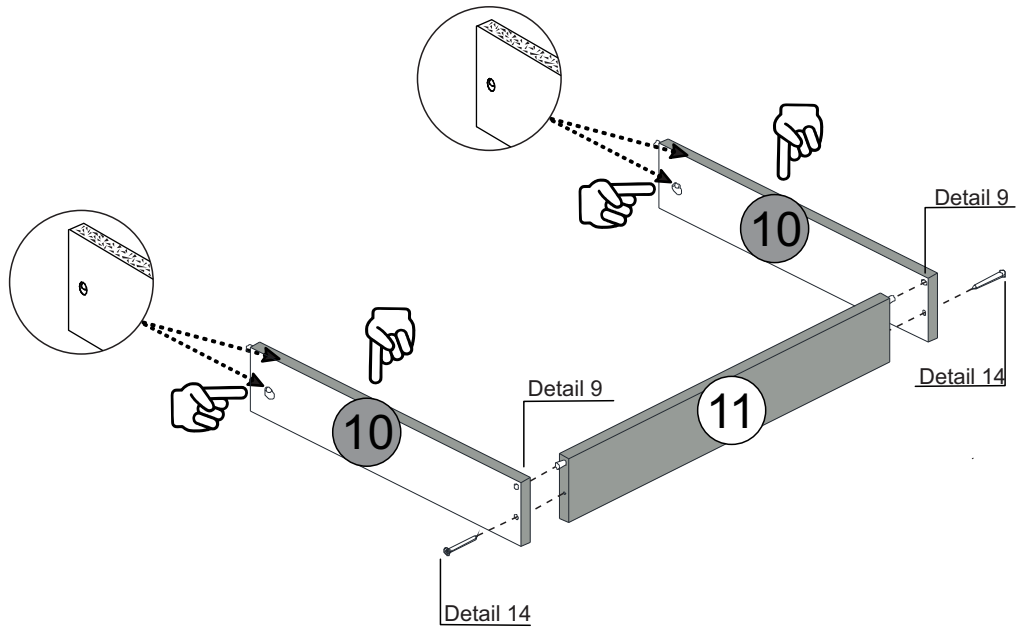
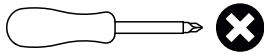
11- DRAWER BACK (SMALL) x1

## HARDWARE REQUIRED

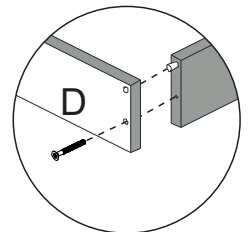
A  01

D  Ø4,0 x 40mm 02

## TOOLS REQUIRED



Detail 9

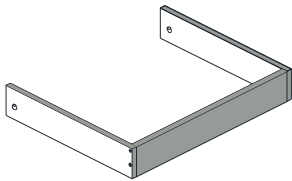


Detail 14

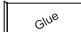
# STEP 26

## PARTS REQUIRED

16 - DRAWER FRONT PINE x1



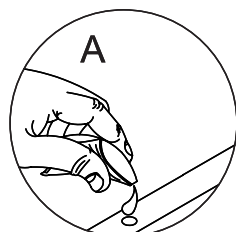
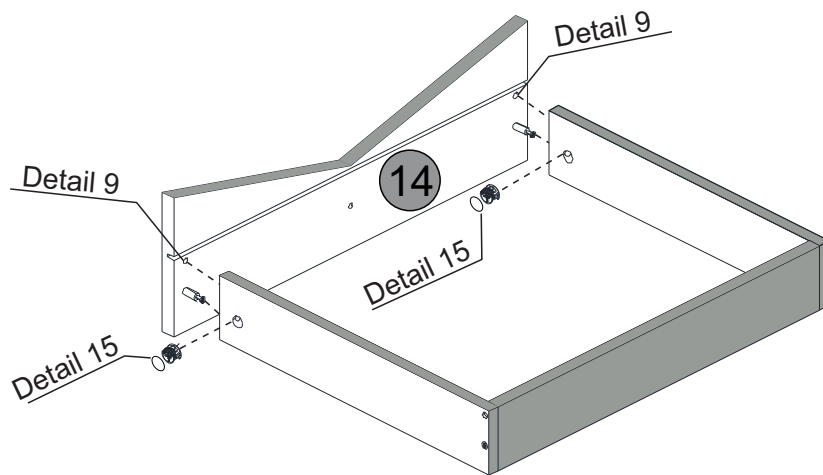
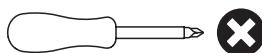
## HARDWARE REQUIRED

A  01

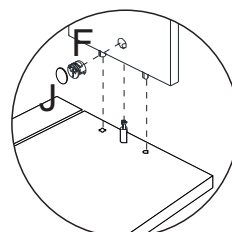
F  Ø12mm 02

J  02

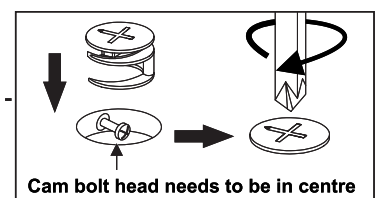
## TOOLS REQUIRED



Detail 9



Detail 15

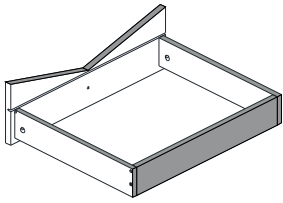




# STEP 27

## PARTS REQUIRED

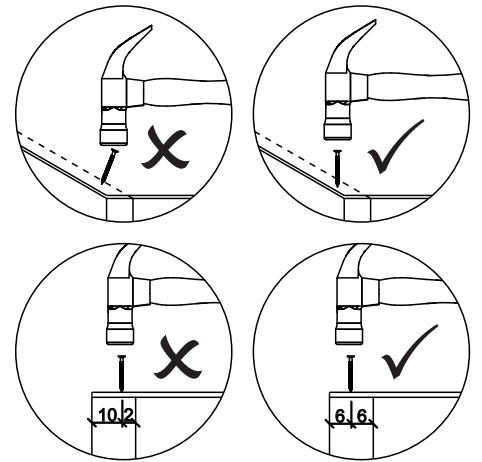
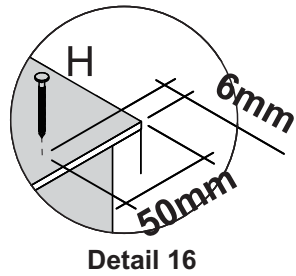
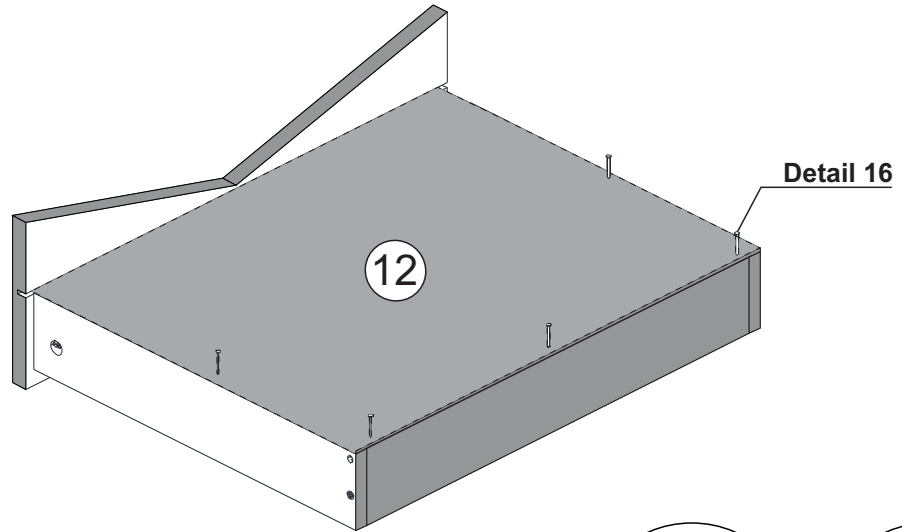
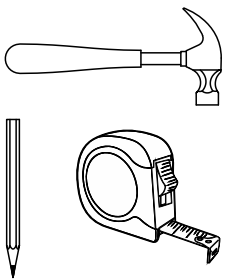
12 - DRAWER BASE x1



## HARDWARE REQUIRED

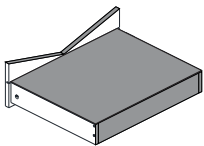
E  05

## TOOLS REQUIRED



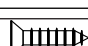


# STEP 28

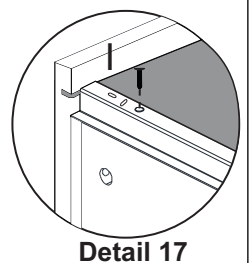
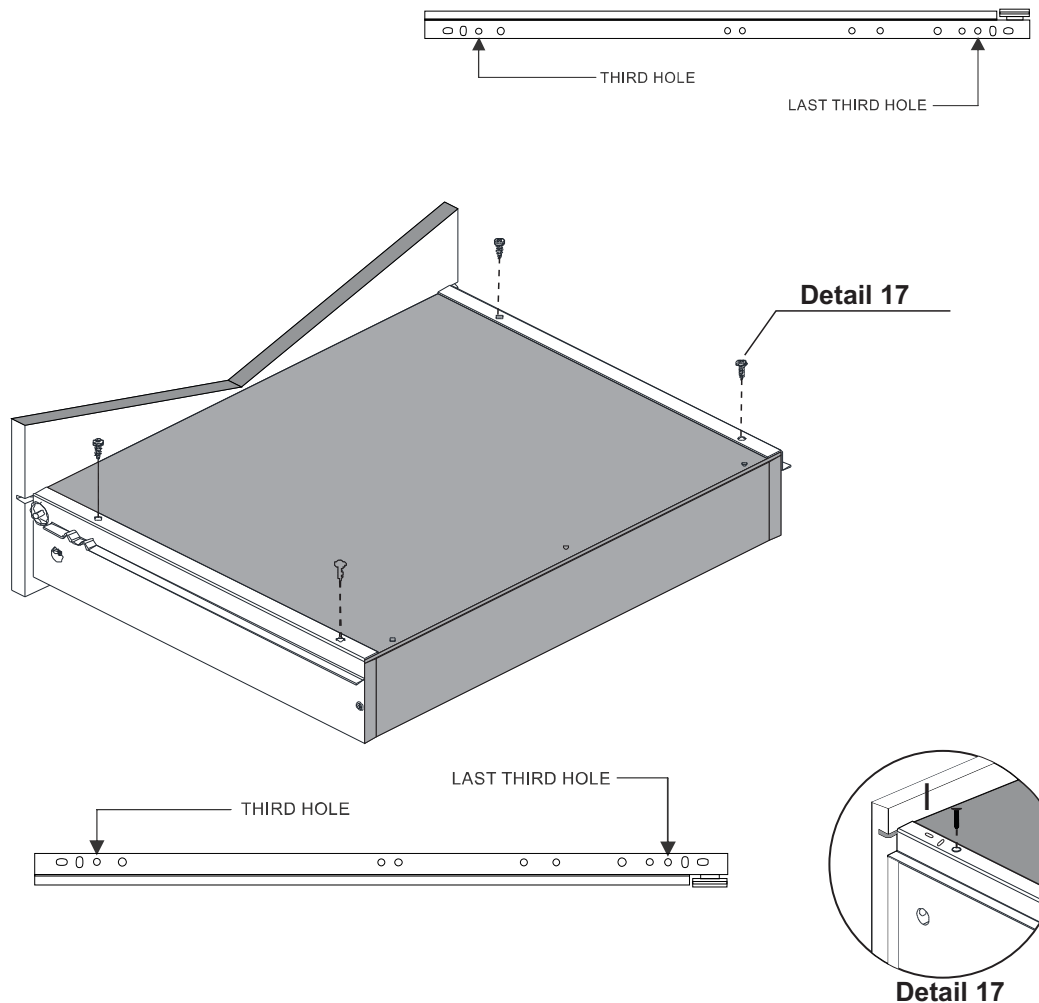
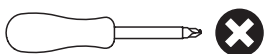
## PARTS REQUIRED



## HARDWARE REQUIRED

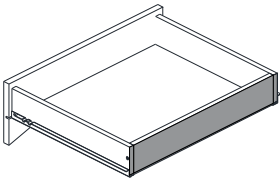
C  LEFT 01  
 C  RIGHT 01  
 I  Ø3,0 x 14mm 04

## TOOLS REQUIRED

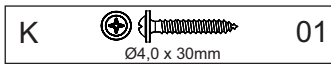


# STEP 29

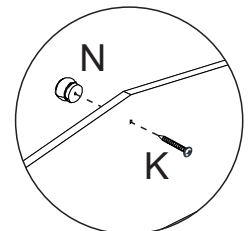
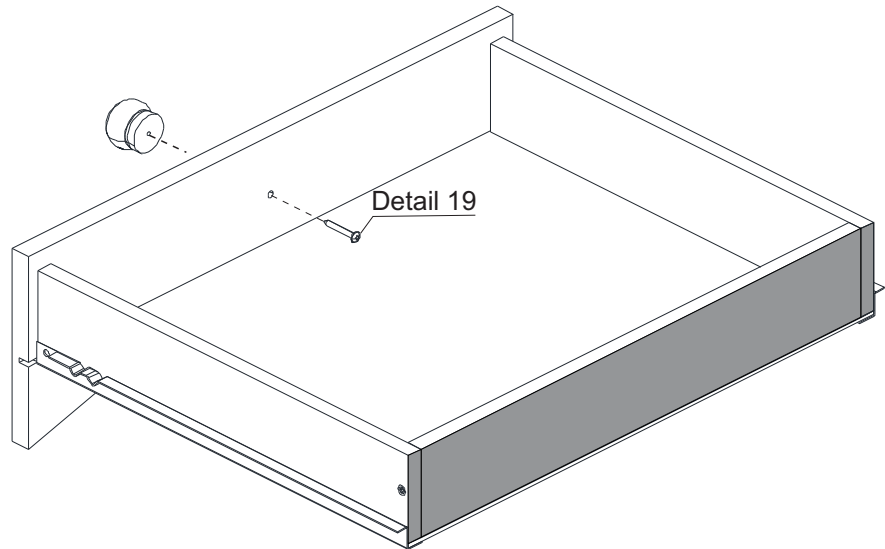
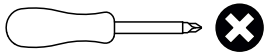
## PARTS REQUIRED



## HARDWARE REQUIRED



## TOOLS REQUIRED



Detail 19

# STEP 30

## PARTS REQUIRED

