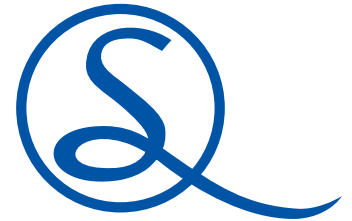
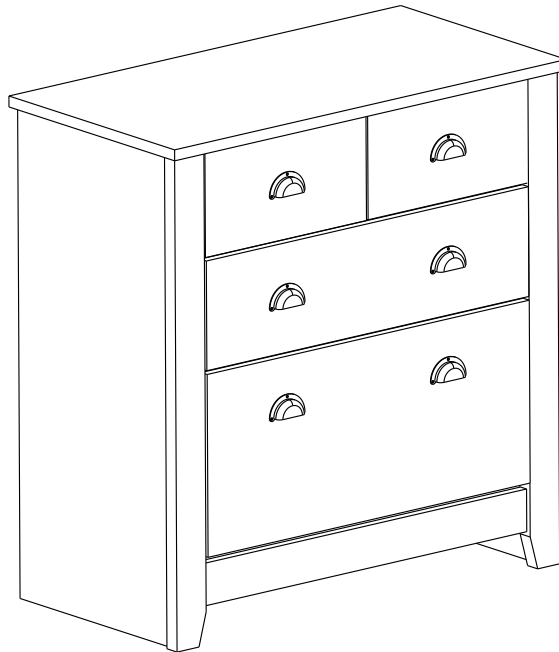


# LUDLOW 2+2 DRAWER CHEST

## GREY

### ASSEMBLY INSTRUCTIONS



### **IMPORTANT FOR DOMESTIC USE ONLY**

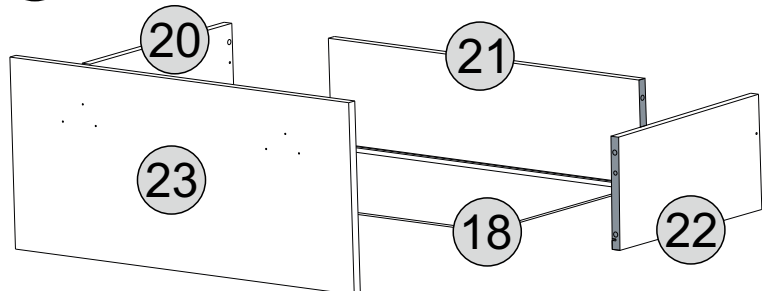
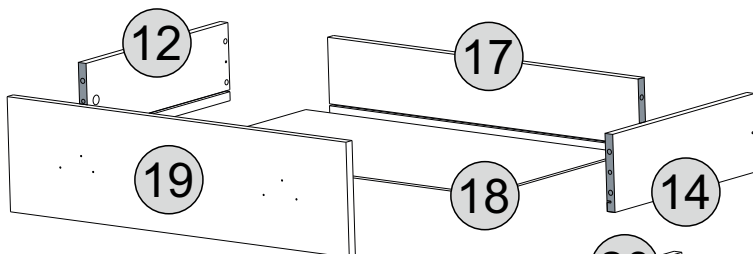
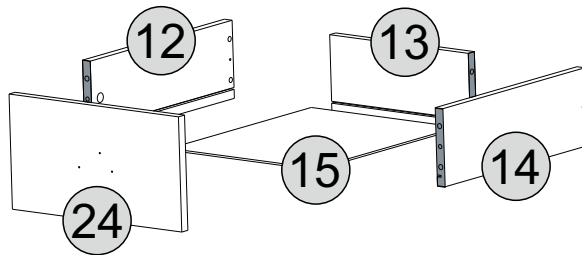
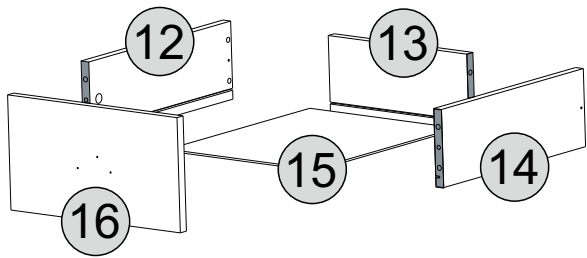
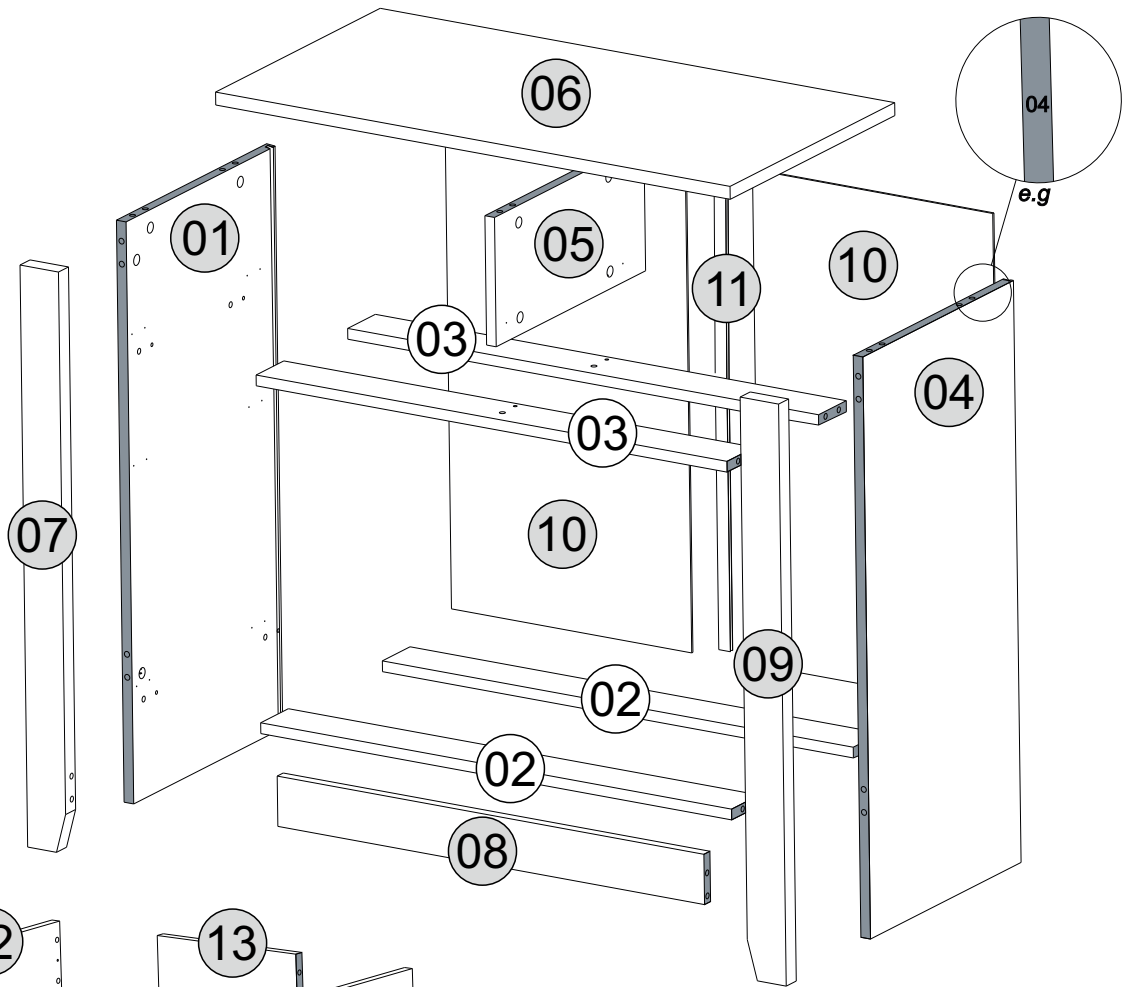
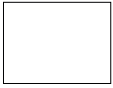
**PLEASE READ BEFORE YOU CONTINUE FURTHER**

## **CARE AND MAINTENANCE**

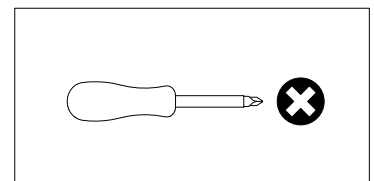
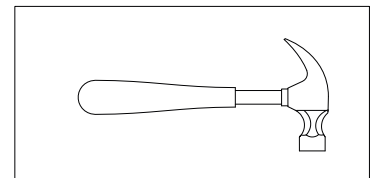
After unpacking this product please keep the original packaging in case it needs to be returned for any reason.

- Please ensure all fittings and parts are present before commencing with assembly.
- Never drag or push products as this could cause damage to the joints making it inferior.
- We strongly recommend that you keep children away from your work area.
- We recommend that you lay a blanket or sheet on the floor to avoid damage to both your floor and the product.
- Assemble this product as close to its final position as possible.
- Do not place this product next to a radiator or in direct sunlight.
- Do not drag or push items across your high gloss furniture as this may cause the surface to scratch
- Wood is a natural product and may expand if subjected to damp and may shrink or crack if subjected to heat. Therefore it is recommended that room temperature is maintained, with no sudden temperature fluctuations.
- Make sure any spillage is wiped off immediately.
- Do not place hot or chilled items directly on to the surface, use a place mat or marking will occur.
- For general cleaning use a soft cotton or micro fibre cloth, and do not use detergents of any kind.
- From time to time it may be necessary to tighten fittings, regular inspections should be carried out.
- Do not place on a wet or damp floor as staining may occur to your floor.

2,5m x 3m



**TOOLS REQUIRED**



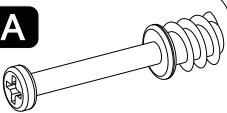
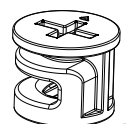
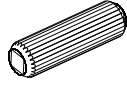
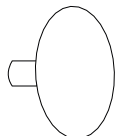
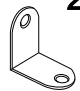
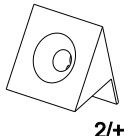
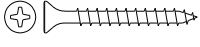
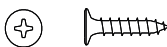
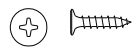

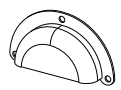
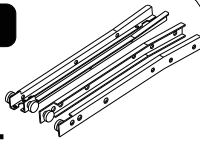

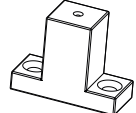

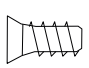
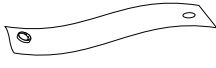
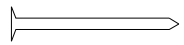
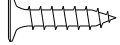
***Please Note:***

The below parts have been stamped with the part number to help identify them during assembly.

**PARTS LIST**

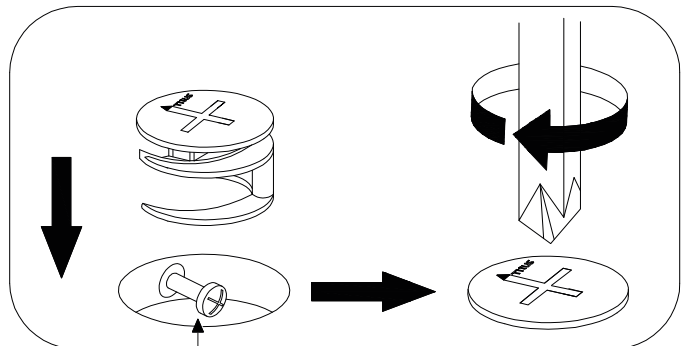
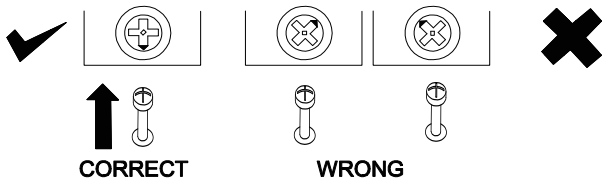
<b>Part Number</b>	<b>Part Code</b>	<b>Part Description</b>	<b>Quantity</b>	<b>Carton</b>
01	S100-102-078-DV1-01	Left Side Panel	1	1/1
02	S100-102-078-DV1-02	Bottom Crossbeam	2	1/1
03	S100-102-078-DV1-03	Upper Crossbeam	2	1/1
04	S100-102-078-DV1-04	Right Side Panel	1	1/1
05	S100-102-078-DV1-05	Dividing Panel	1	1/1
06	S100-102-078-DV1-06	Top	1	1/1
07	S100-102-078-DV1-07	Front Left Upright	1	1/1
08	S100-102-078-DV1-08	Plinth	1	1/1
09	S100-102-078-DV1-09	Front Right Upright	1	1/1
10	S100-102-078-DV1-10	Back Panel	2	1/1
11	S100-102-078-DV1-11	Back Panel Strip	1	1/1
12	S100-102-078-DV1-12	Left Drawer Side	3	1/1
13	S100-102-078-DV1-13	Drawer Back	2	1/1
14	S100-102-078-DV1-14	Right Drawer Side	3	1/1
15	S100-102-078-DV1-15	Drawer Base	2	1/1
16	S100-102-078-DV1-16	Left Drawer Front	1	1/1
17	S100-102-078-DV1-17	Drawer Back	1	1/1
18	S100-102-078-DV1-18	Drawer Base	2	1/1
19	S100-102-078-DV1-19	Drawer Front	1	1/1
20	S100-102-078-DV1-20	Left Drawer Side	1	1/1
21	S100-102-078-DV1-21	Drawer Back	1	1/1
22	S100-102-078-DV1-22	Right Drawer Side	1	1/1
23	S100-102-078-DV1-23	Drawer Front	1	1/1
24	S100-102-078-DV1-24	Right Drawer Front	1	1/1

## FITTINGS LIST

<b>A</b> x30 2/+ 	<b>B</b> x30 2/+ 	<b>C</b> x56 8x30mm 2/+ 	<b>D</b> x10 1/+ 	<b>E</b> x1 22x22 
<b>F</b> x12 2/+ 	<b>G</b> x10 Ø 4,0 x 40 1/+ 	<b>H</b> x30 Ø 3,5 x 12 2/+ 	<b>I</b> x18 Ø 3,0 x 10 Black 2/+ 	<b>J</b> x24 Ø 4,0 x 16 2/+ 
<b>K</b> x6 	<b>L</b> x4 	<b>M</b> x3 GLUE 	<b>N</b> x12 1/+ 	<b>O</b> x4 1/+ 
<b>P</b> x4 Ø 6 x 8 	<b>Q</b> x1 Anti-tip Strap 	<b>R</b> x10 10x10 2/+ 	<b>S</b> x12 Ø 3,5 x 16 2/+ 	

## TIPS FOR FITTING CAM-LOCKS

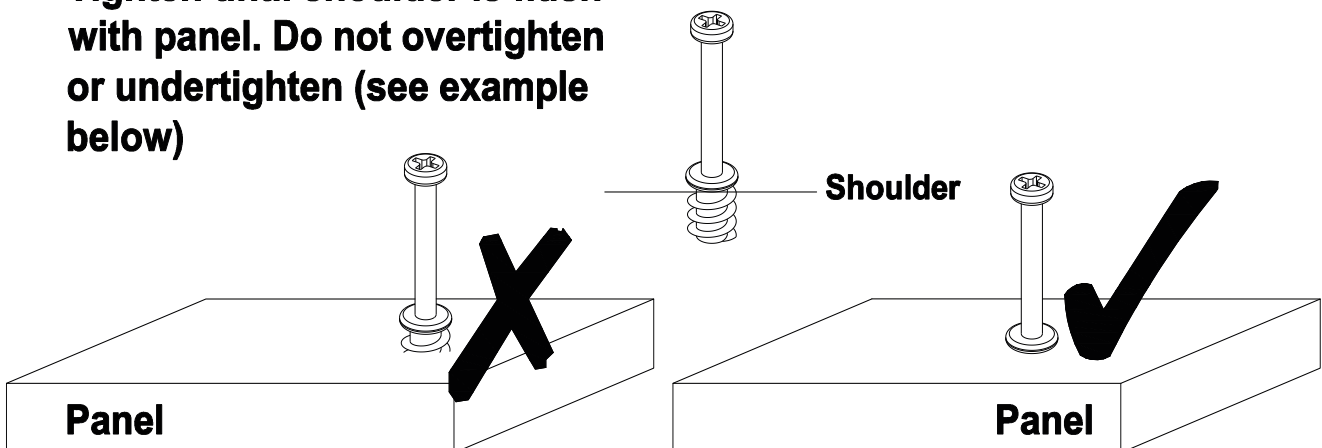
WHEN FITTING CAM-LOCK  
ENSURE STARTING POSITION IS CORRECT  
BEFORE YOU INSERT CONNECTING CAM BOLT  
TURN CLOCKWISE UNTIL SECURE



Cam bolt head needs to be in centre

### CAMBOLT

Tighten until shoulder is flush with panel. Do not overtighten or undertighten (see example below)



# STEP 1

## PARTS REQUIRED

01 - LEFT SIDE PANEL x1

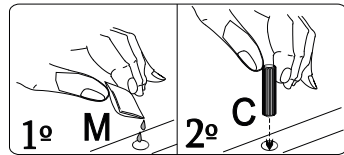
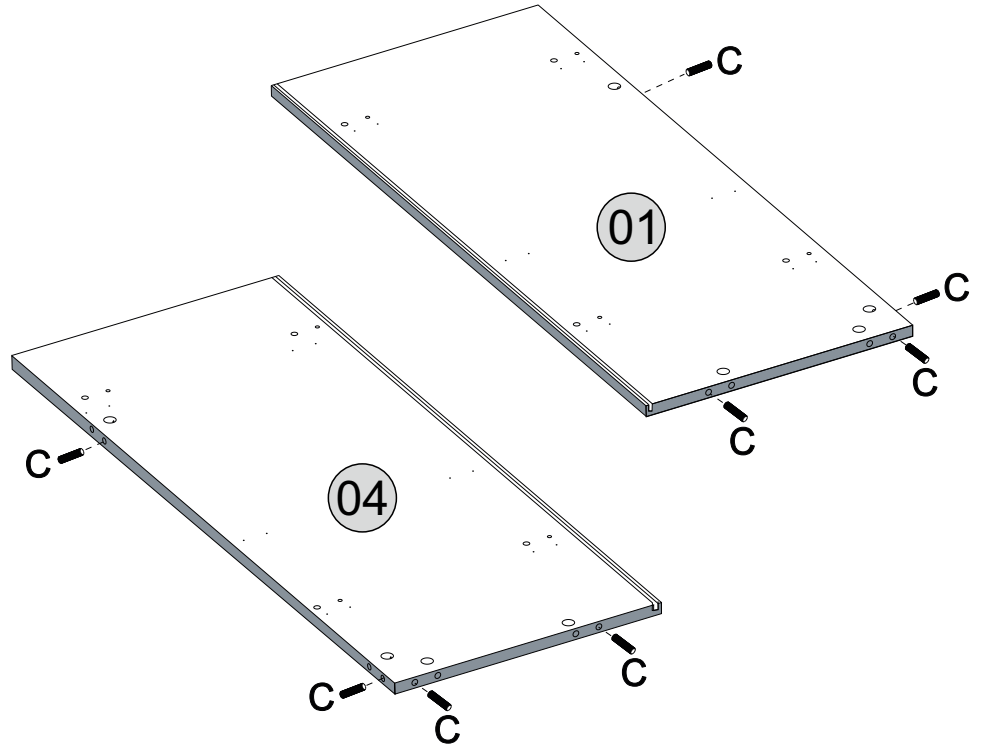
04 - RIGHT SIDE PANEL x1

## HARDWARE REQUIRED

C  08  
Ø8 x 30mm

M  01

## TOOLS REQUIRED



**!**  
Glue must be added to the dowel holes on part 01 and 04.

# STEP 2

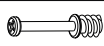
## PARTS REQUIRED


02 - BOTTOM CROSSBEAM x2

03 - UPPER CROSSBEAM x2

05 - DIVIDING PANEL x1

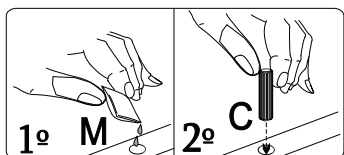
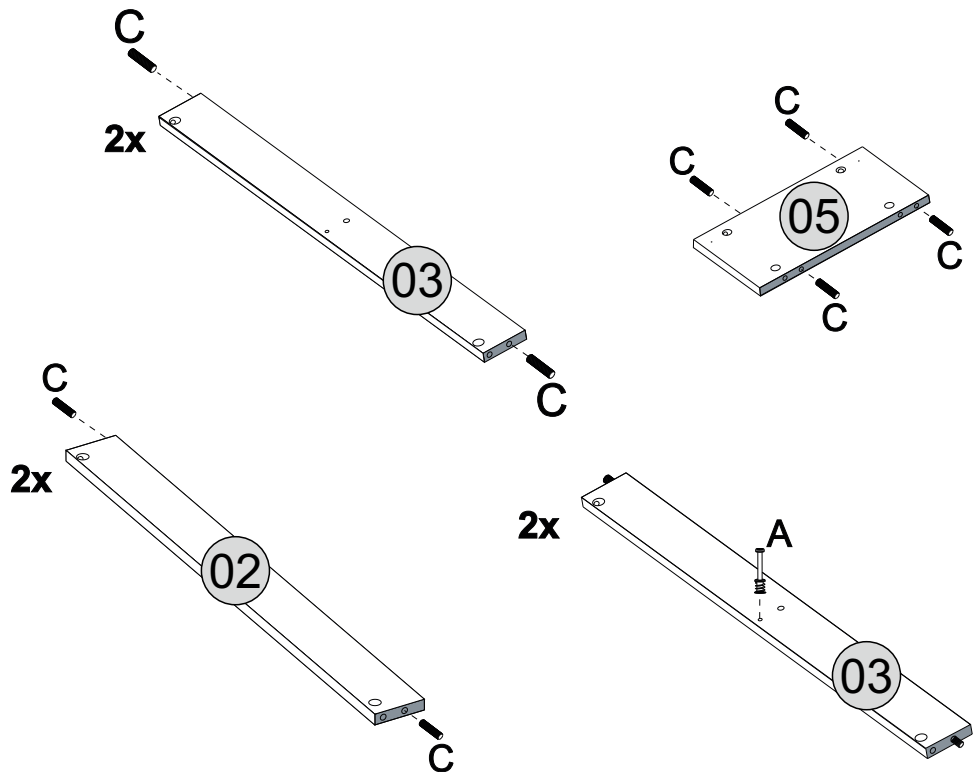
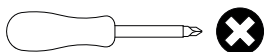
## HARDWARE REQUIRED

A  02

C  12  
Ø8 x 30mm

M  01

## TOOLS REQUIRED



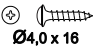
**!**  
Glue must be added to the dowel holes on part 02, 03 and 05.


# STEP 3

## PARTS REQUIRED

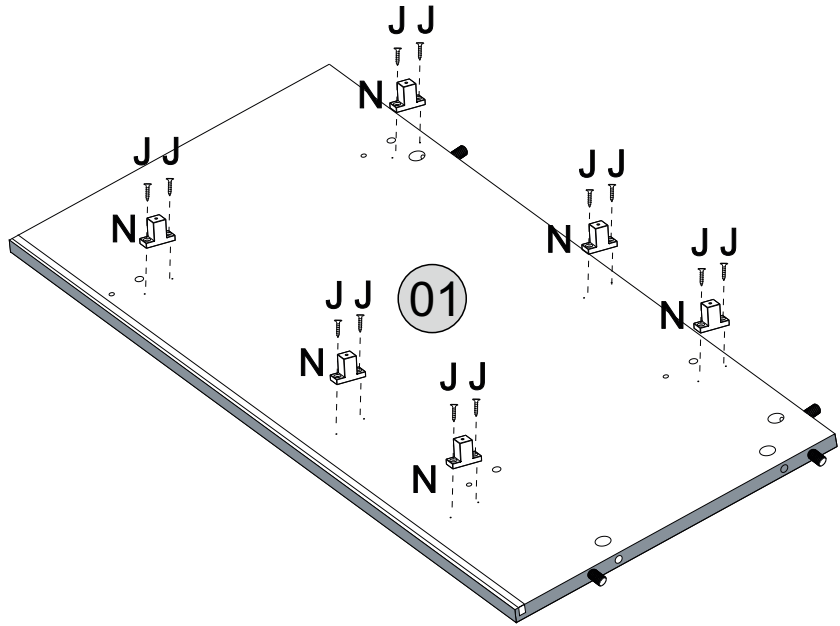
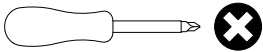
01 - LEFT SIDE PANEL x1

## HARDWARE REQUIRED

J  12  
Ø4,0 x 16

N  06

## TOOLS REQUIRED

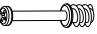



# STEP 4

## PARTS REQUIRED

01 - LEFT SIDE PANEL x1

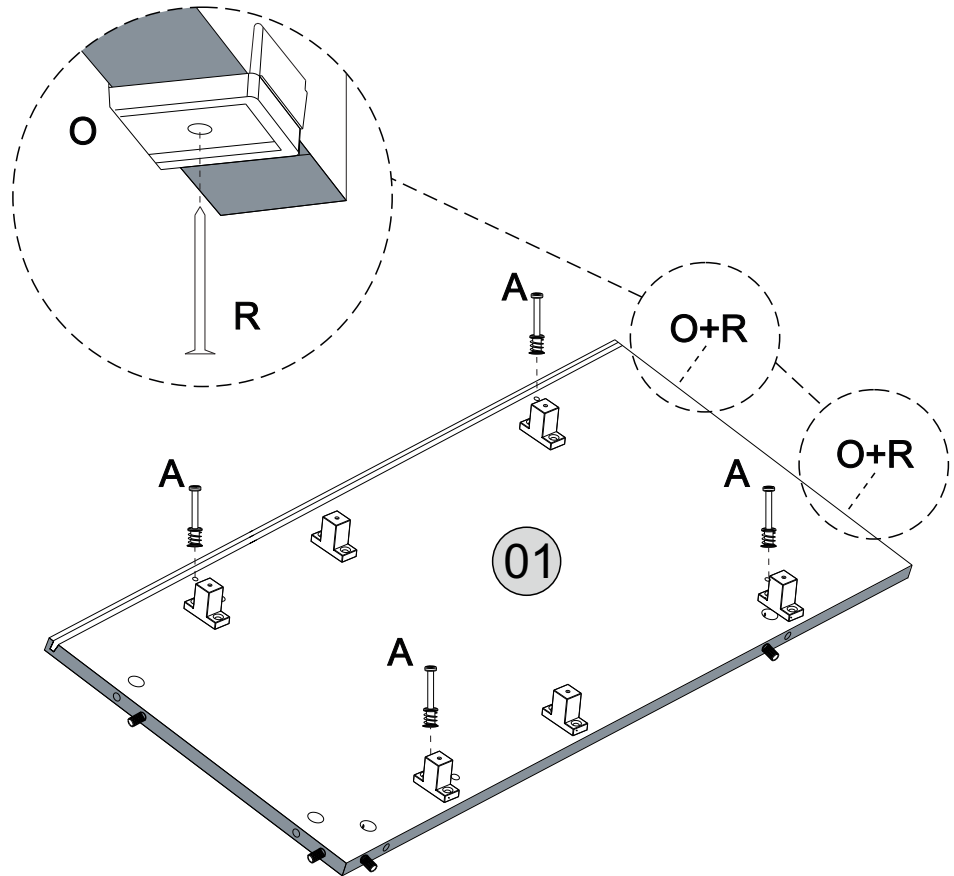
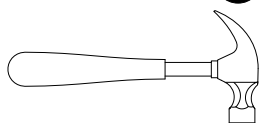
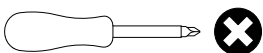
## HARDWARE REQUIRED

A  04

O  02

R  02

## TOOLS REQUIRED




# STEP 5

## PARTS REQUIRED

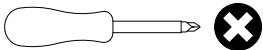
01 - LEFT SIDE PANEL x1

## HARDWARE REQUIRED

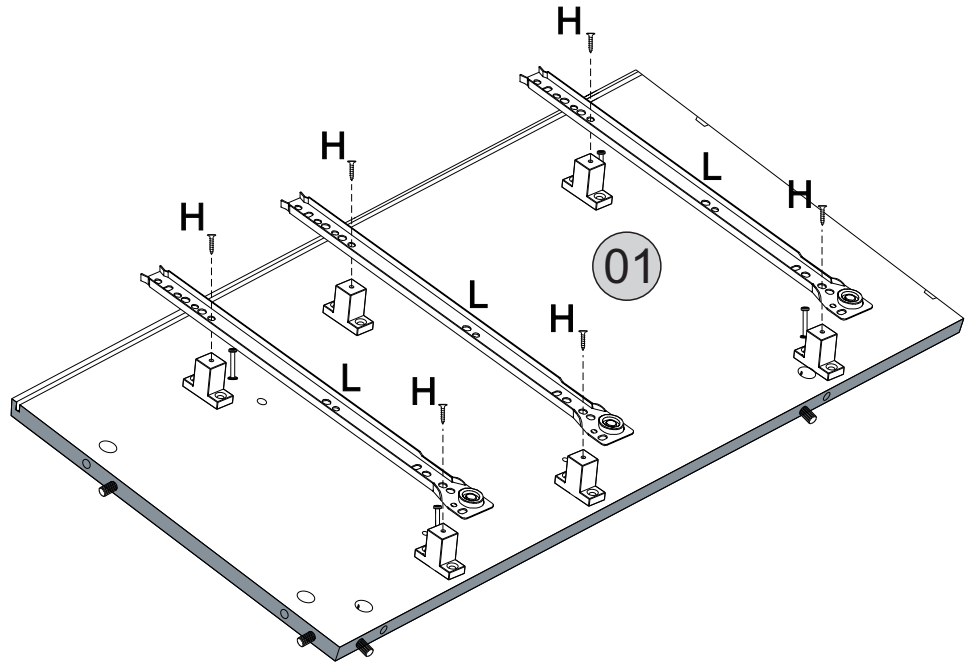
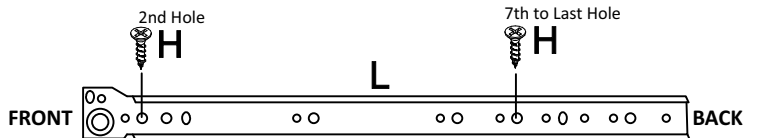
H  06  
3,5 x 12

L  03

## TOOLS REQUIRED



To Assemble the Drawer Slide, Please Follow Step as Below

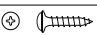


# STEP 6

## PARTS REQUIRED

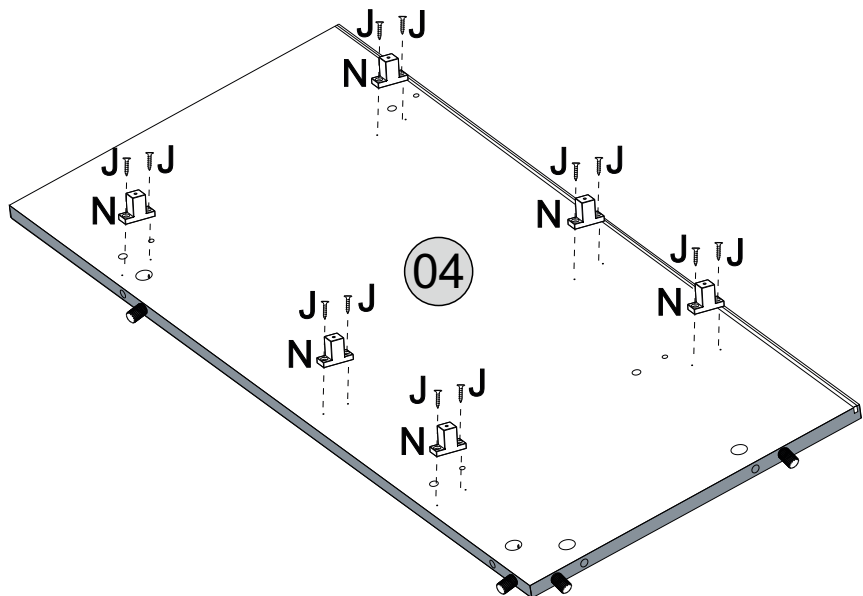
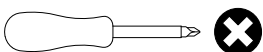
04 - RIGHT SIDE PANEL x1

## HARDWARE REQUIRED

J  12  
Ø4,0 x 16

N  06

## TOOLS REQUIRED

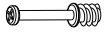




# STEP 7

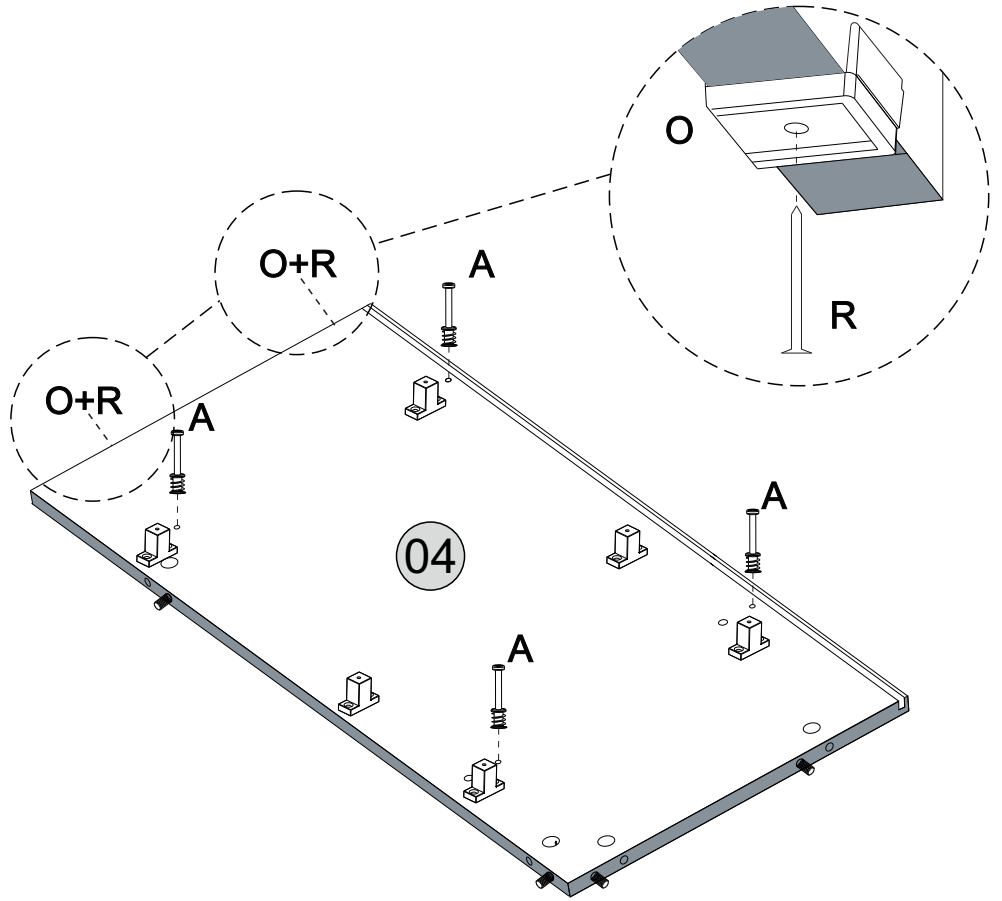
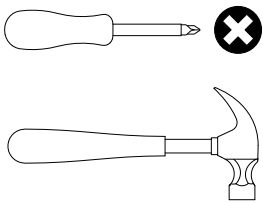
## PARTS REQUIRED

04 -RIGHT SIDE PANEL x1

## HARDWARE REQUIRED

- |   |   |    |
|---|---|----|
| A |  | 04 |
| O |  | 02 |
| R |  | 02 |

## TOOLS REQUIRED

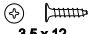



# STEP 8

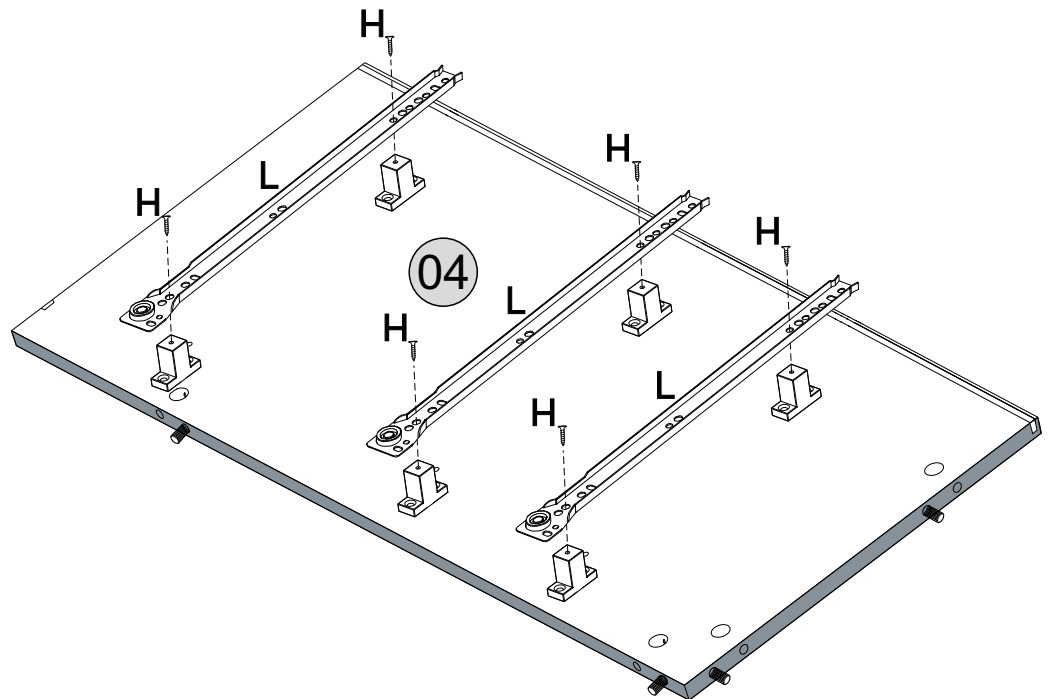
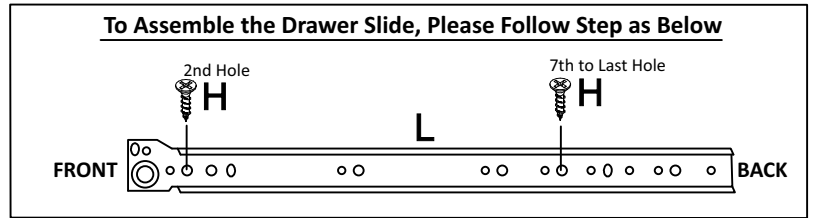
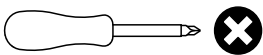
## PARTS REQUIRED

04 -RIGHT SIDE PANEL x1

## HARDWARE REQUIRED

- |   |  |    |
|---|--|----|
| H |  3,5 x 12 | 06 |
| L |           | 03 |

## TOOLS REQUIRED





# STEP 9

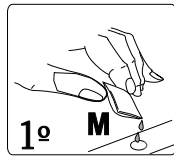
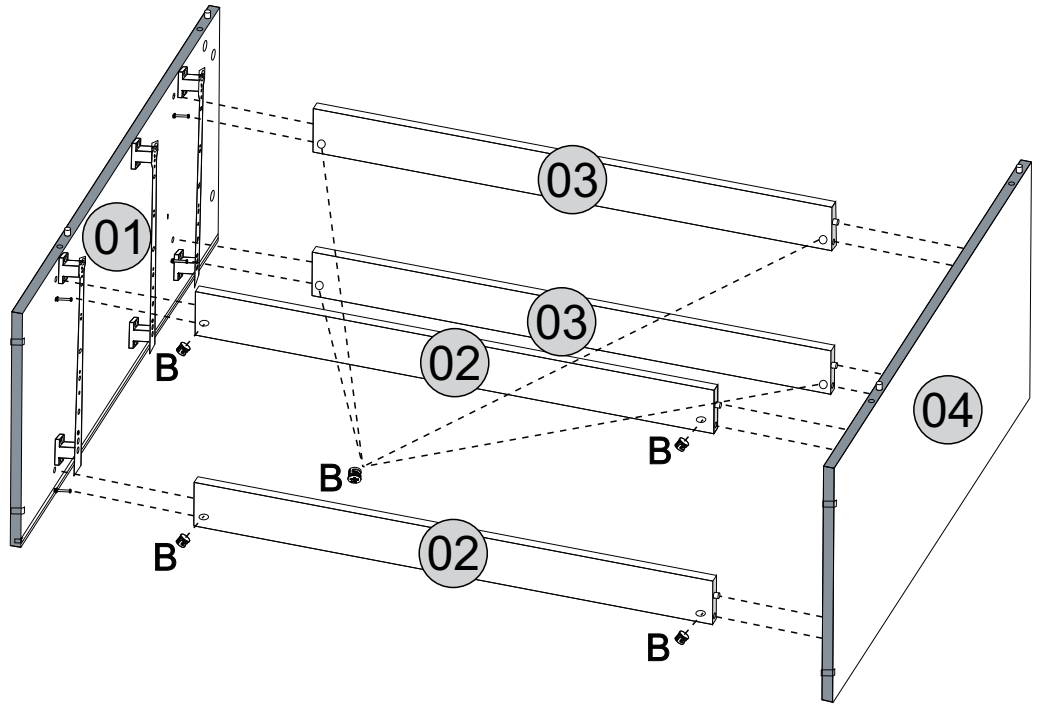
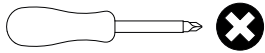
## PARTS REQUIRED

01 - LEFT SIDE PANEL	x1
02 - BOTTOM CROSSBEAM	x2
03 - UPPER CROSSBEAM	x2
04 - RIGHT SIDE PANEL	x1

## HARDWARE REQUIRED

B		08
M		01

## TOOLS REQUIRED



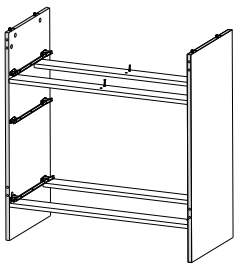
**!**  
Glue must be added to the dowel holes on part 01 and 04.

**!**  
Please refer to page 03 on how to use cams correctly.

# STEP 10

## PARTS REQUIRED

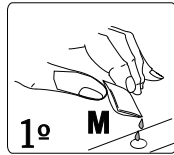
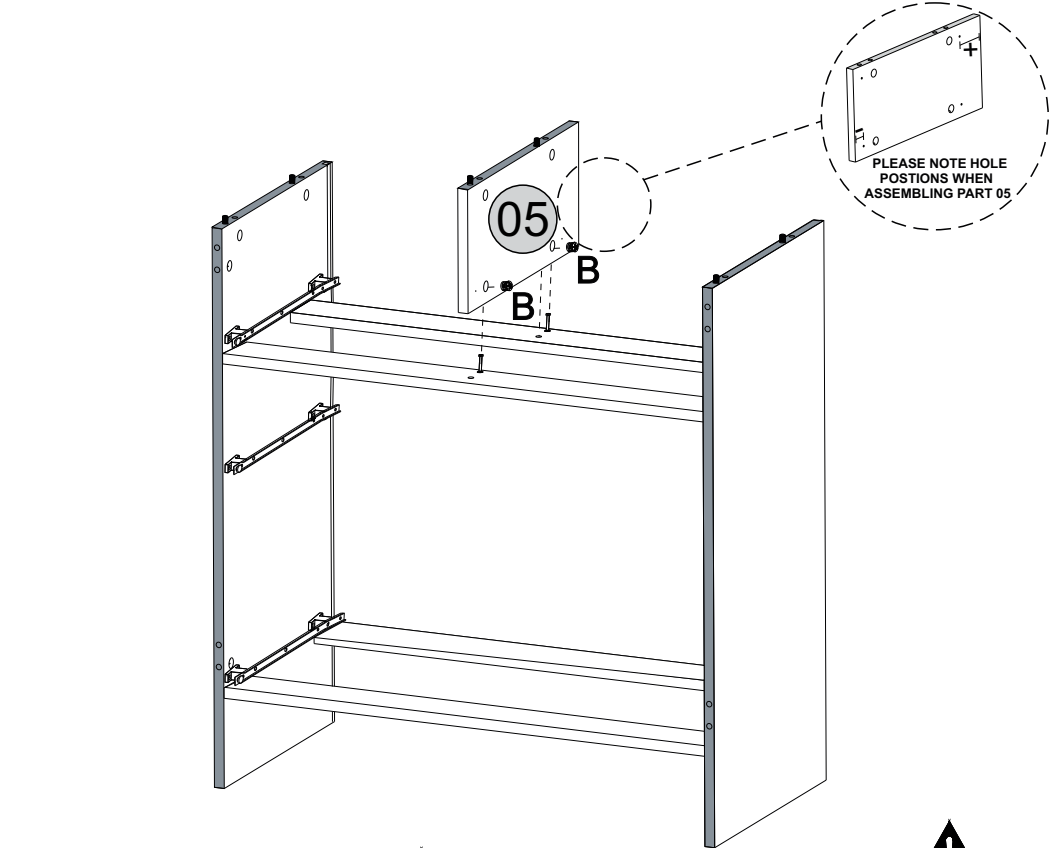
05- DIVIDING PANEL	x1
--------------------	----



## HARDWARE REQUIRED

B		02
M		01

## TOOLS REQUIRED



**!**  
Glue must be added to the dowel holes on part 03.

**!**  
Please refer to page 03 on how to use cams correctly.

# STEP 11

## PARTS REQUIRED

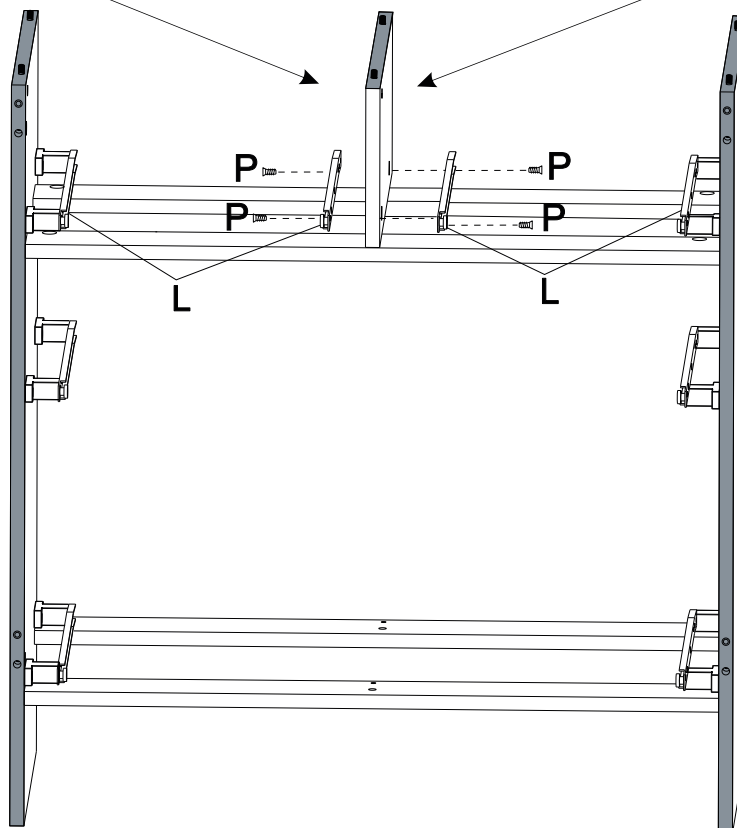
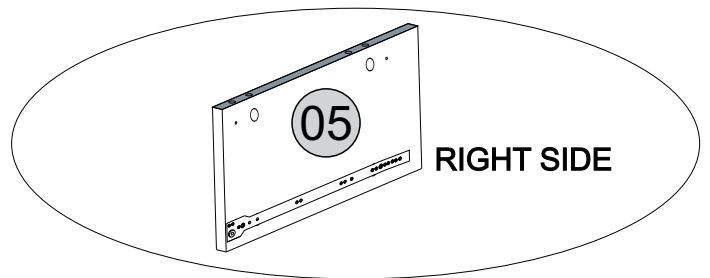
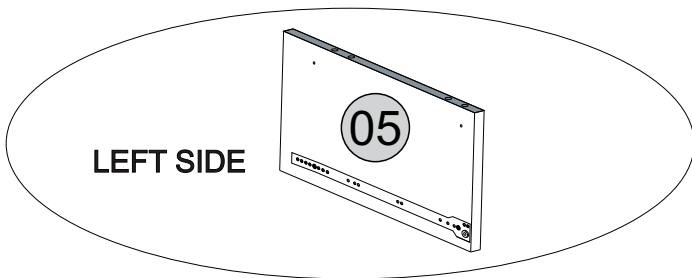
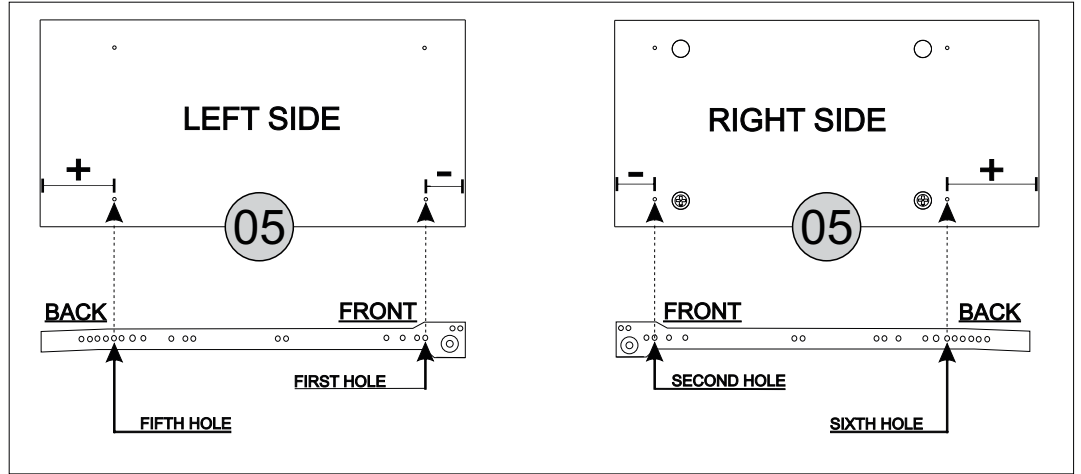
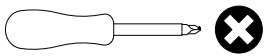
05 - DIVIDING PANEL x1

## HARDWARE REQUIRED

L  02

P  04  
Ø 6 x 8

## TOOLS REQUIRED

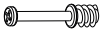


# STEP 12

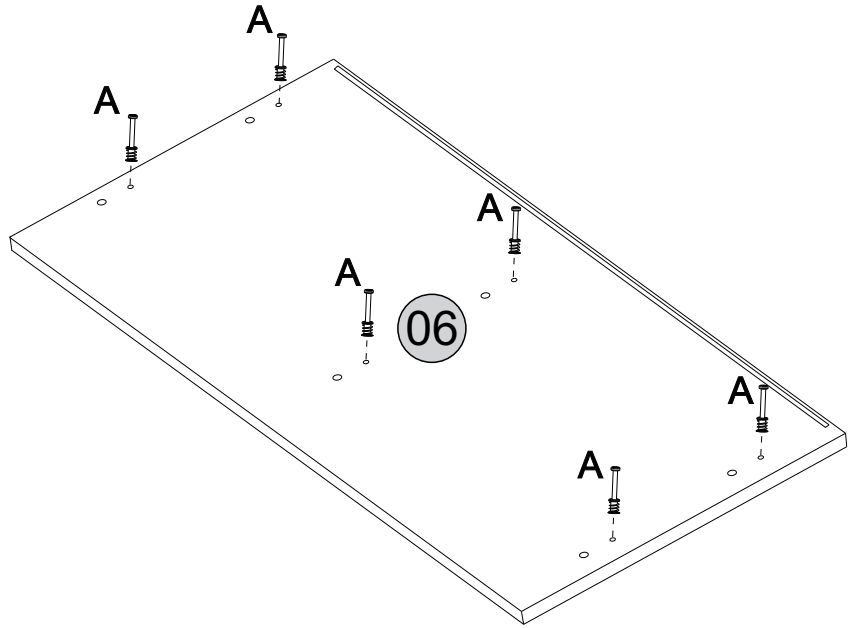
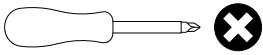
**PARTS REQUIRED**

06 - TOP x1

**HARDWARE REQUIRED**

A  06

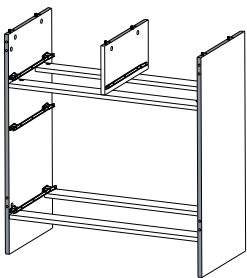
**TOOLS REQUIRED**



# STEP 13

**PARTS REQUIRED**

06- TOP x1

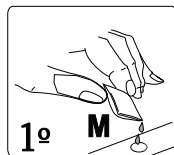
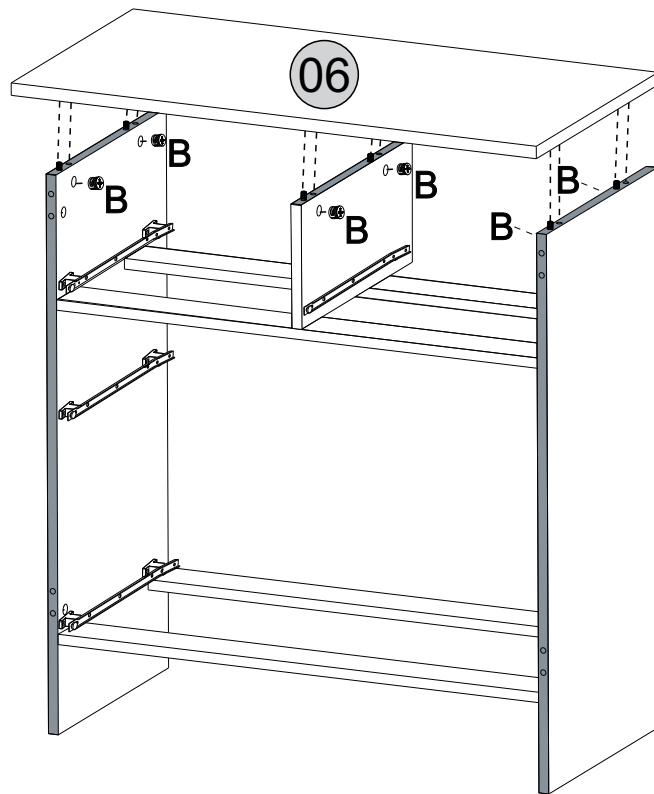
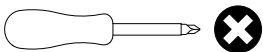


**HARDWARE REQUIRED**

B  06

M  01

**TOOLS REQUIRED**



**!**  
Glue must be added to the dowel holes on part 06.

**!**  
Please refer to page 03 on how to use cams correctly.

# STEP 14

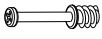
## PARTS REQUIRED

07 - FRONT LEFT UPRIGHT x1

08 - PLINTH x1

09 - FRONT RIGHT UPRIGHT x1

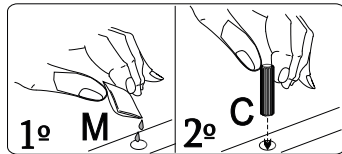
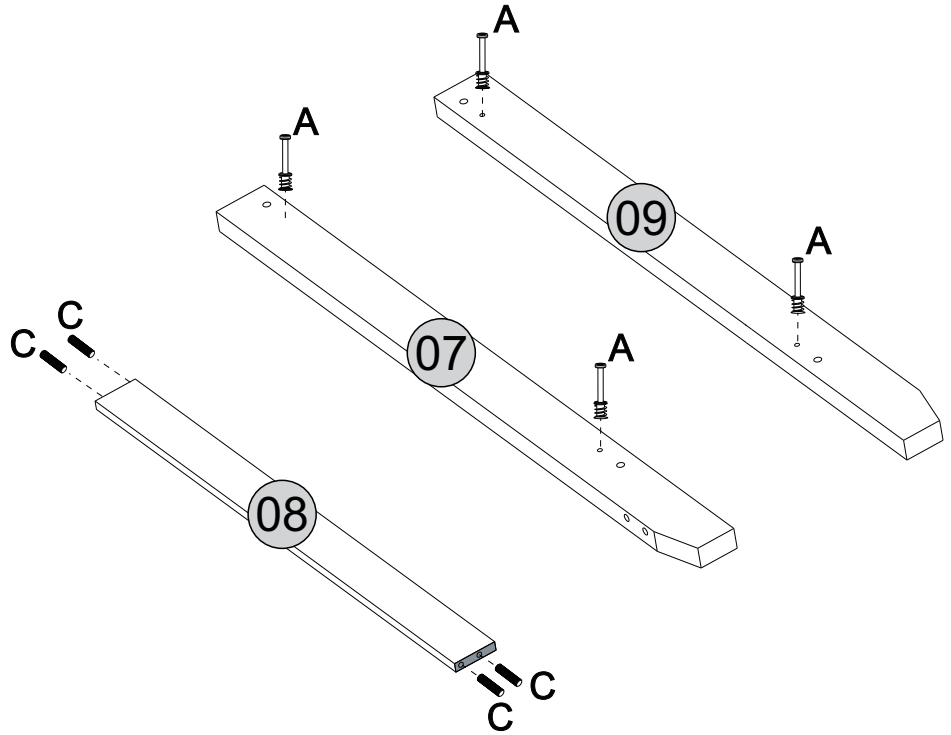
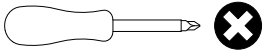
## HARDWARE REQUIRED

A  04

C  04  
Ø8 x 30mm

M  01

## TOOLS REQUIRED



**!**  
Glue must be added to the  
dowel holes on part  
08.

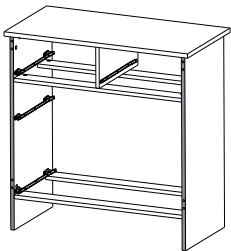
# STEP 15

## PARTS REQUIRED

07 - FRONT LEFT UPRIGHT x1


08 - PLINTH x1

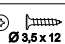
09 - FRONT RIGHT UPRIGHT x1



## HARDWARE REQUIRED

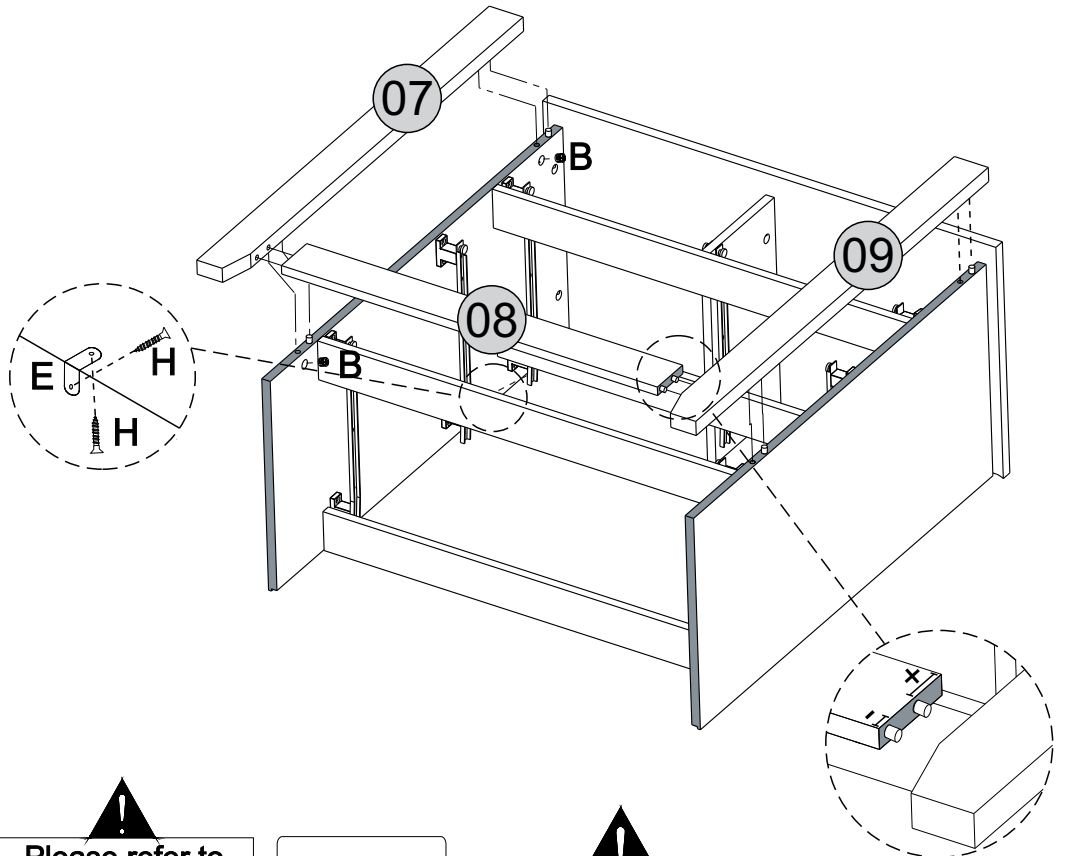
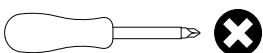
B  04

E  01

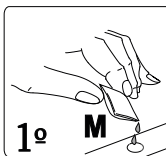
H  02  
Ø 3.5 x 12

M  01

## TOOLS REQUIRED



**!**  
Please refer to  
page 03 on how  
to use cams  
correctly.



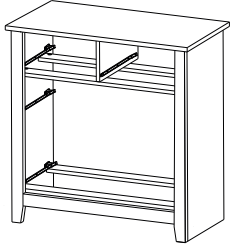
**!**  
Glue must be added to the  
dowel holes on part  
07 & 09

# STEP 16

## PARTS REQUIRED

10 - BACK PANEL x2

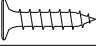
11 - BACK PANEL STRIP x1



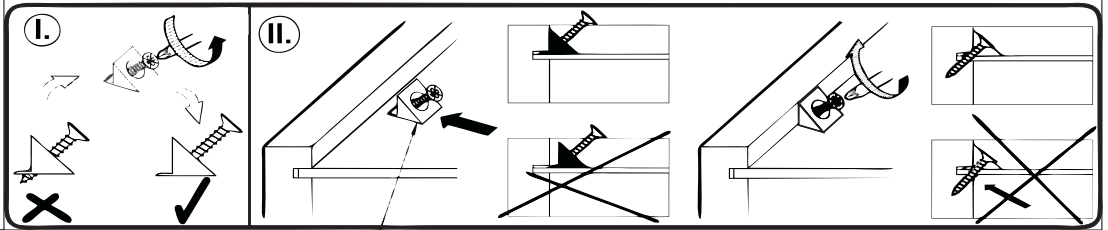
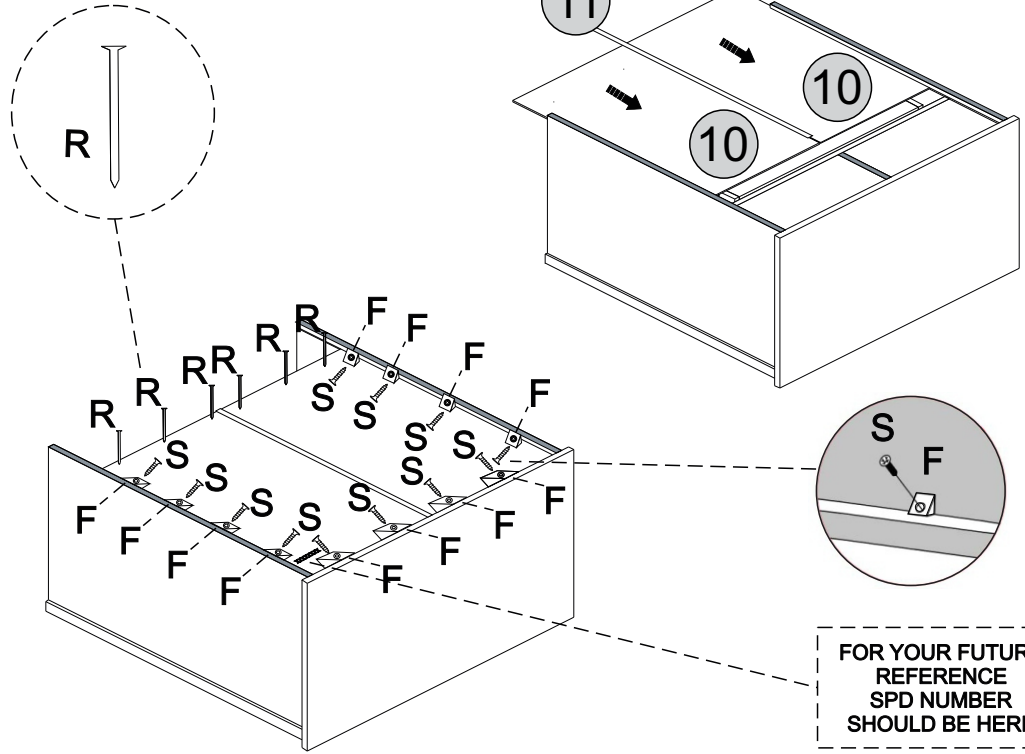
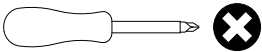
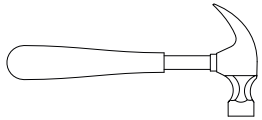
## HARDWARE REQUIRED

F  12

R  06

S  12

## TOOLS REQUIRED



# STEP 17

## PARTS REQUIRED

12 - LEFT DRAWER SIDE x3

13 - DRAWER BACK x2

14 - RIGHT DRAWER SIDE x3

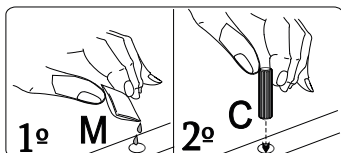
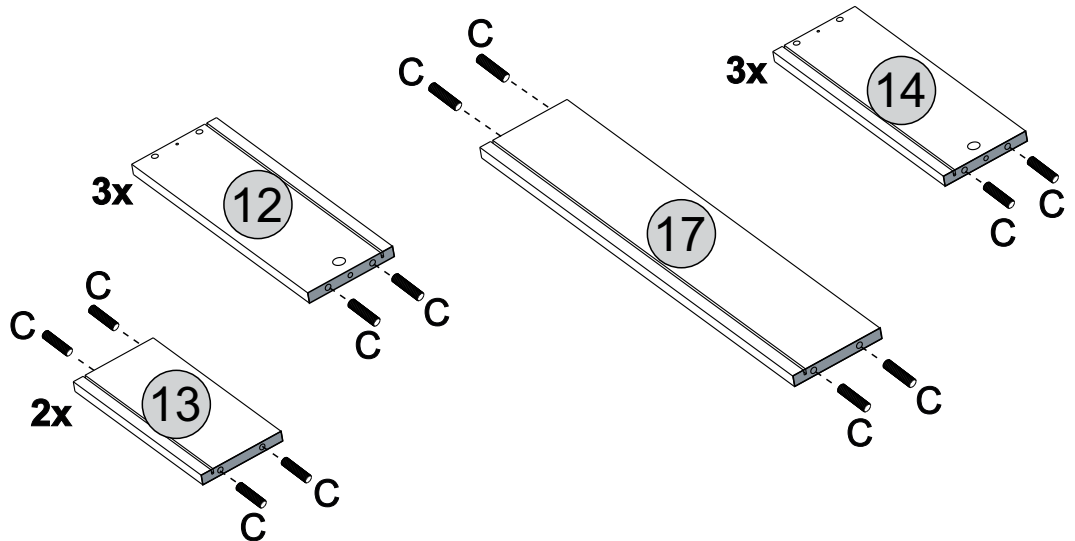
17 - DRAWER BACK x1

## HARDWARE REQUIRED

C  24  
Ø8 x 30

M  01

## TOOLS REQUIRED



**!**  
Glue must be added to the dowel holes on part 12,13,14 and 17.

# STEP 18

## PARTS REQUIRED

16 -LEFT DRAWER FRONT x1

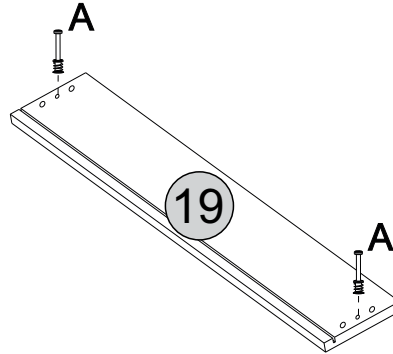
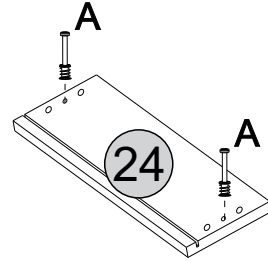
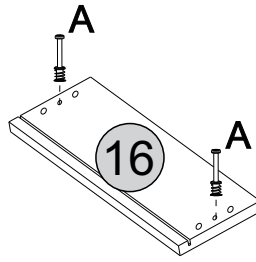
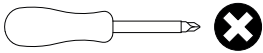
19 -DRAWER FRONT x1

24 -RIGHT DRAWER FRONT x1

## HARDWARE REQUIRED

A  06

## TOOLS REQUIRED



# STEP 19

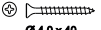
## PARTS REQUIRED

12 -LEFT DRAWER SIDE x2

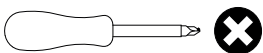
13 -DRAWER BACK x2

14 -RIGHT DRAWER SIDE x2

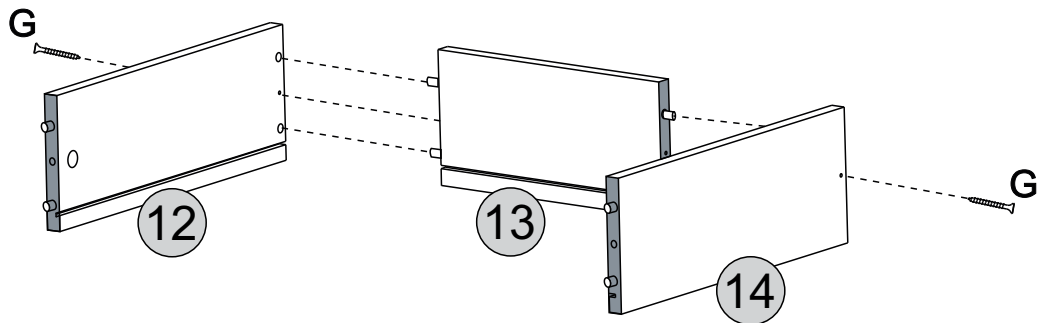
## HARDWARE REQUIRED

G  04  
Ø 4,0 x 40

## TOOLS REQUIRED



**2x**



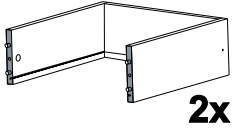
# STEP 20

## PARTS REQUIRED

15 - DRAWER BASE x2

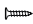
16 - LEFT DRAWER FRONT x1

24 - RIGHT DRAWER FRONT x1



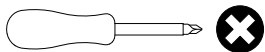
## HARDWARE REQUIRED

B  04

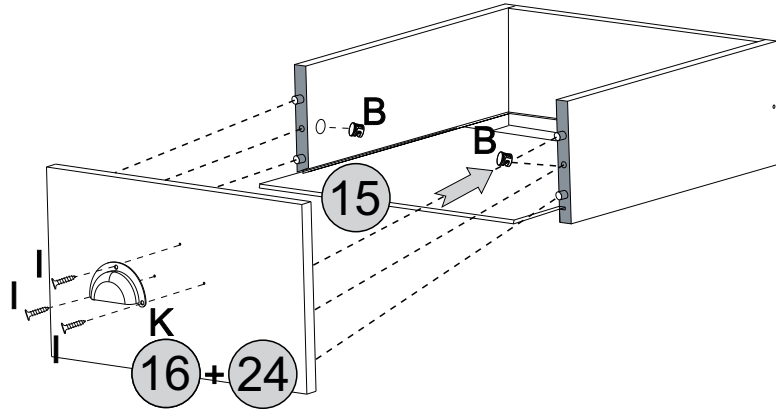
I  Ø3,0 x 10 Black 06

K  02

## TOOLS REQUIRED

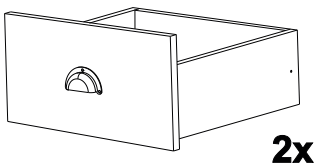


**2x**



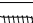
# STEP 21


## PARTS REQUIRED



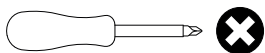
## HARDWARE REQUIRED

D  04

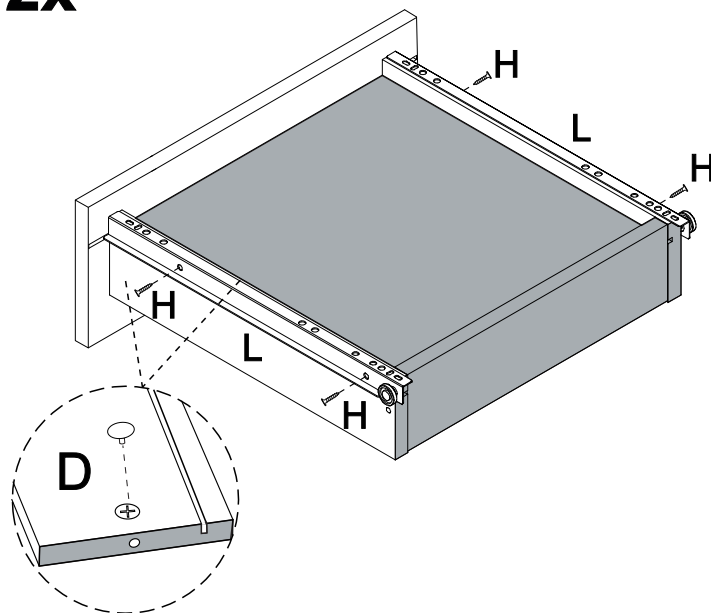
H  Ø3,5 x 12 08

L  02

## TOOLS REQUIRED



**2x**



# STEP 22

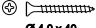
## PARTS REQUIRED

12 - LEFT DRAWER SIDE x1

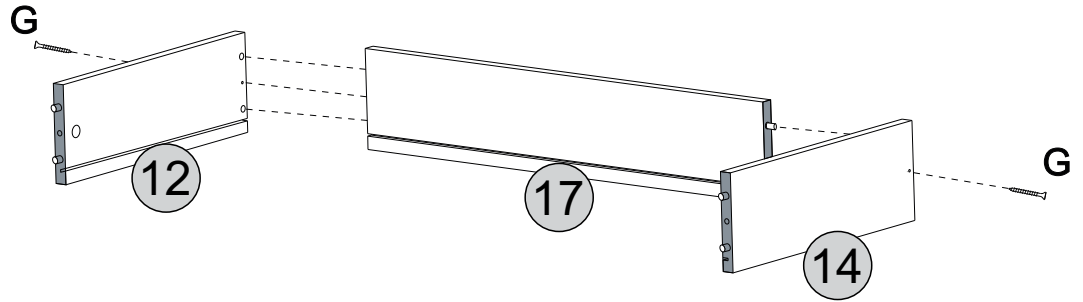
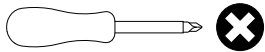
14 - RIGHT DRAWER SIDE x1

17 - DRAWER BACK x1

## HARDWARE REQUIRED

G  02  
Ø 4,0 x 40

## TOOLS REQUIRED

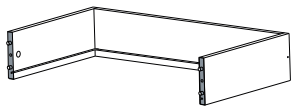


# STEP 23

## PARTS REQUIRED

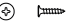
18 - DRAWER BASE x1

19 - DRAWER FRONT x1



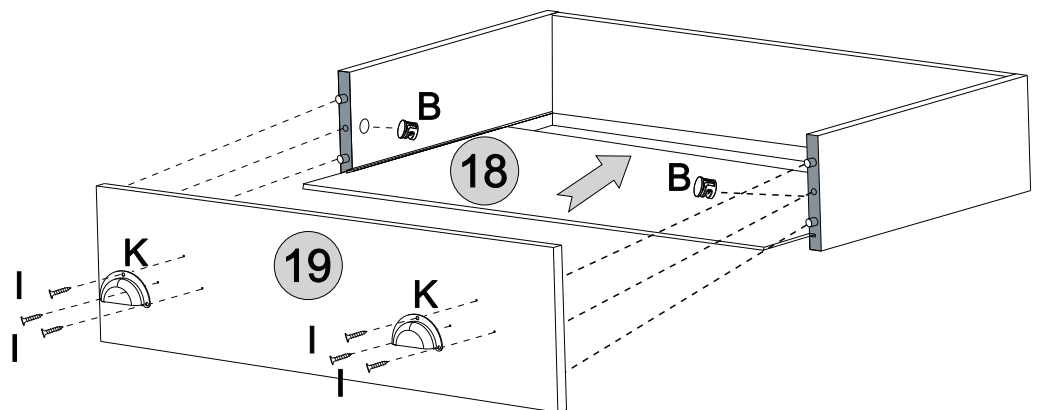
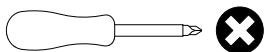
## HARDWARE REQUIRED

B  02

I  06  
Ø 3,0 x 10 Black

K  02

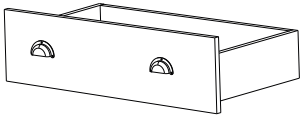
## TOOLS REQUIRED





# STEP 24

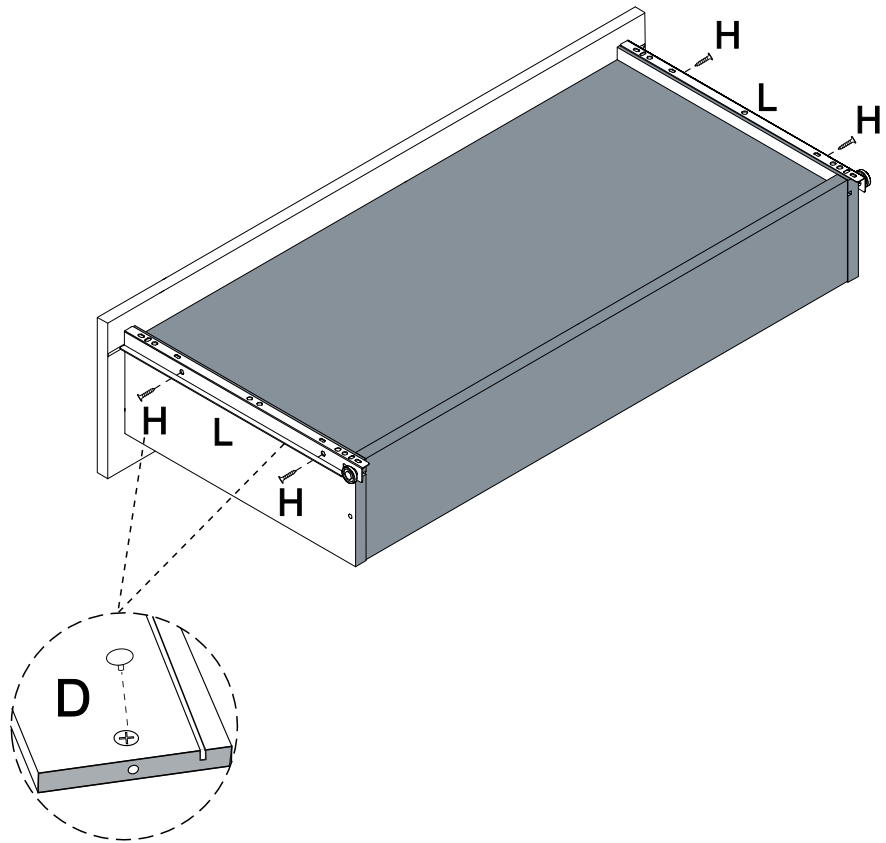
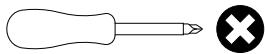
**PARTS REQUIRED**



**HARDWARE REQUIRED**

D		02
H		04
L		02

**TOOLS REQUIRED**



# STEP 25

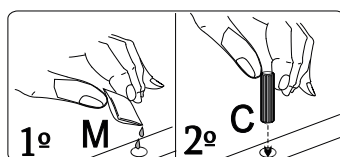
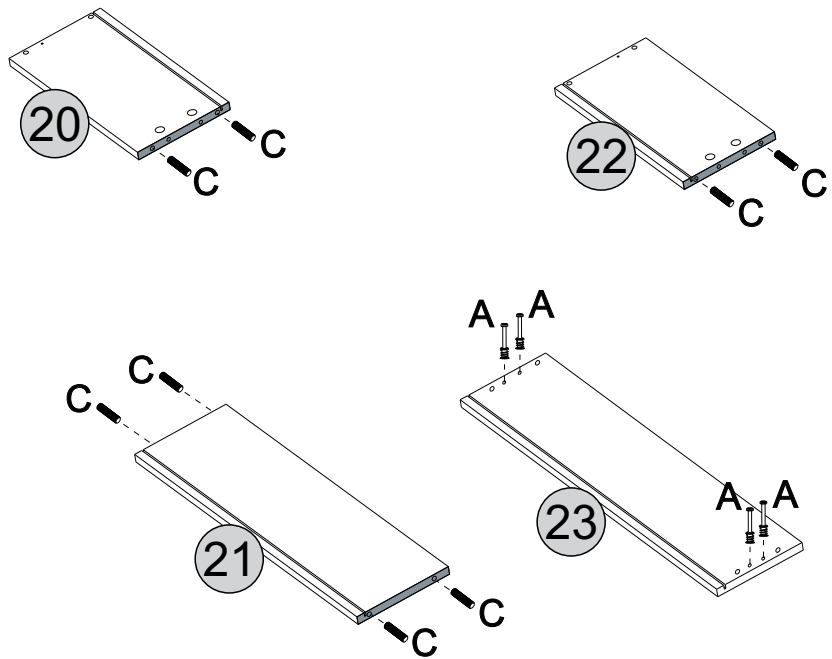
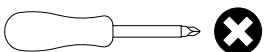
**PARTS REQUIRED**

20 - LEFT DRAWER SIDE	x1
21 - DRAWER BACK	x1
22 - RIGHT DRAWER SIDE	x1
23 - DRAWER FRONT	x1

**HARDWARE REQUIRED**

A		04
C		08
M		01

**TOOLS REQUIRED**



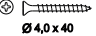
**!**  
Glue must be added to the dowel holes on part 20,21 and 22.

# STEP 26

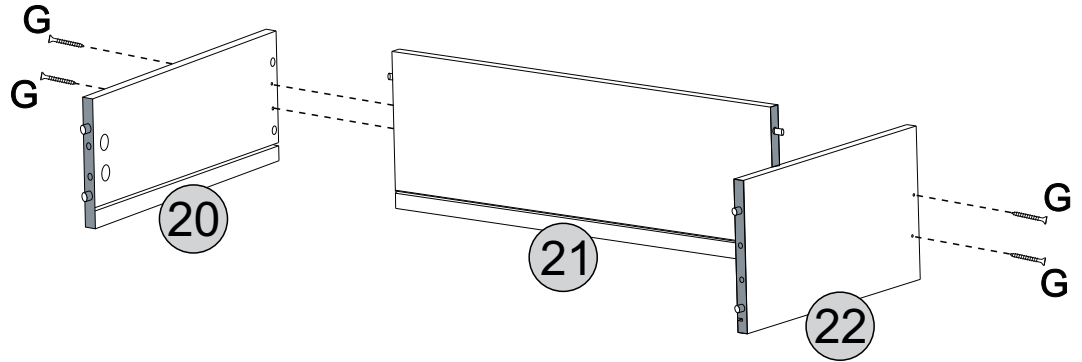
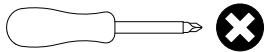
## PARTS REQUIRED

20 - LEFT DRAWER SIDE	x1
21- DRAWER BACK	x1
22 - RIGHT DRAWER SIDE	x1

## HARDWARE REQUIRED

G		04
Ø4,0 x 40		

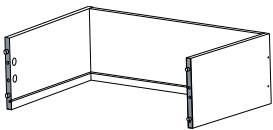
## TOOLS REQUIRED




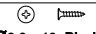

# STEP 27

## PARTS REQUIRED

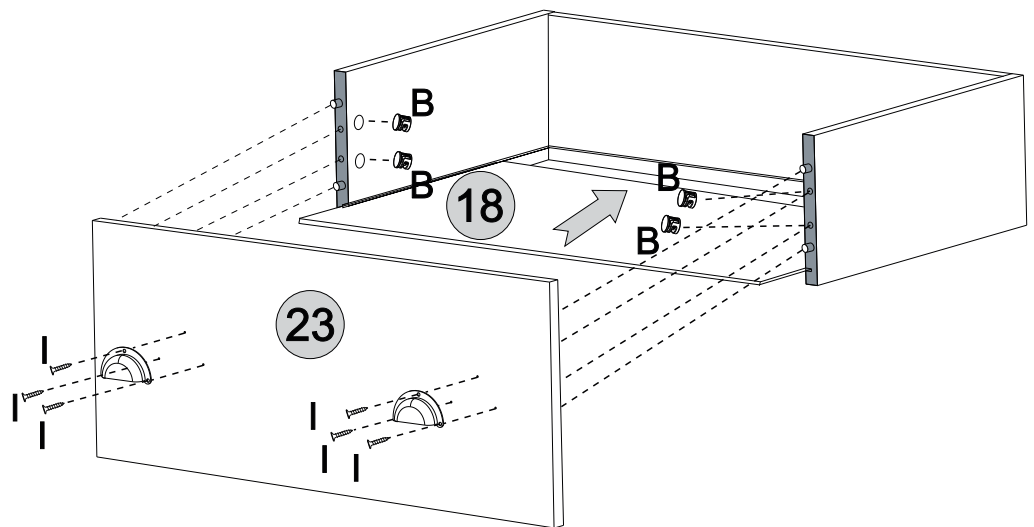
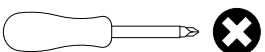
18 - DRAWER BASE	x1
23 - DRAWER FRONT	x1



## HARDWARE REQUIRED

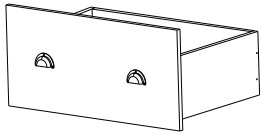
B		04
I		06
Ø3,0 x 10 Black		
K		02

## TOOLS REQUIRED


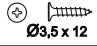



# STEP 28

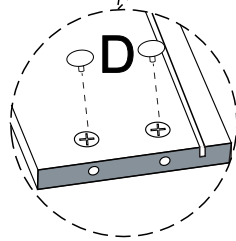
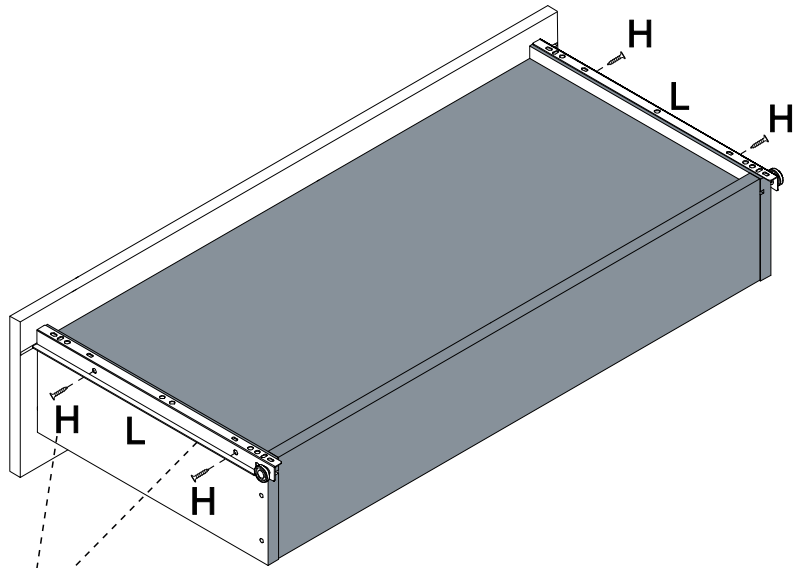
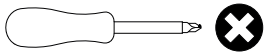
**PARTS REQUIRED**



**HARDWARE REQUIRED**

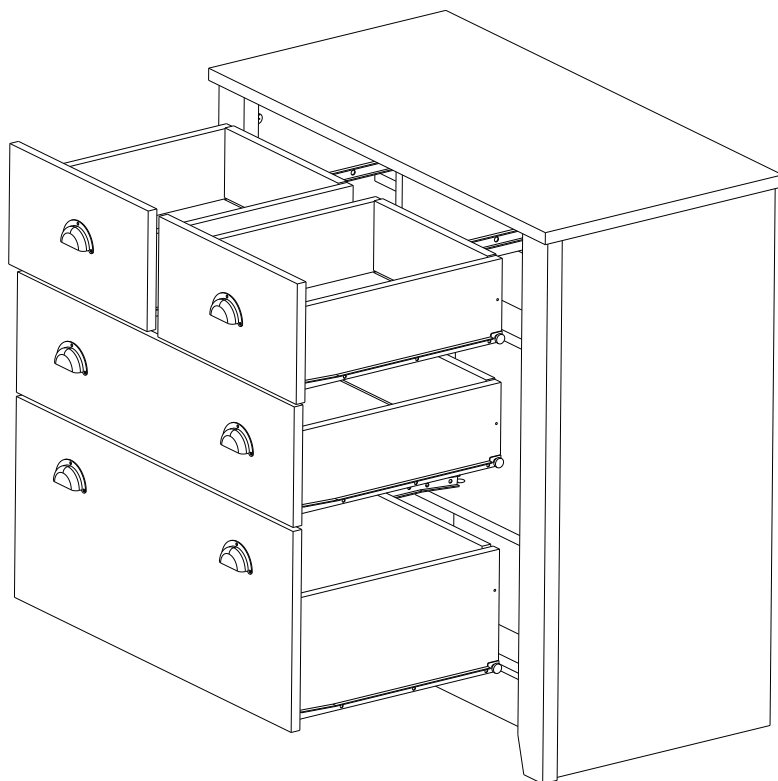
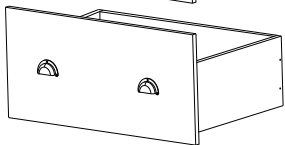
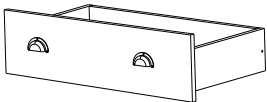
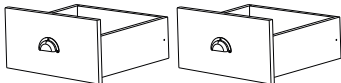
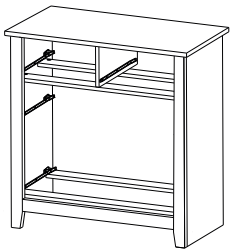
D		04
H		04
L		02

**TOOLS REQUIRED**



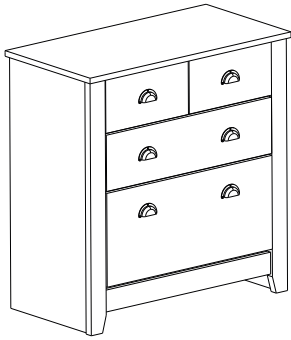
# STEP 29

**PARTS REQUIRED**



# STEP 30

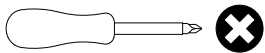
## PARTS REQUIRED



## HARDWARE REQUIRED



## TOOLS REQUIRED



## WARNING

**Serious or fatal injuries can occur from furniture tipping over. To prevent the furniture from tipping over we recommend that it is permanently fixed to the wall.**

Wall fixings are not supplied with this product as different wall materials require different types of fixing devices. Please make sure you use fixings suitable for the walls in your home.

