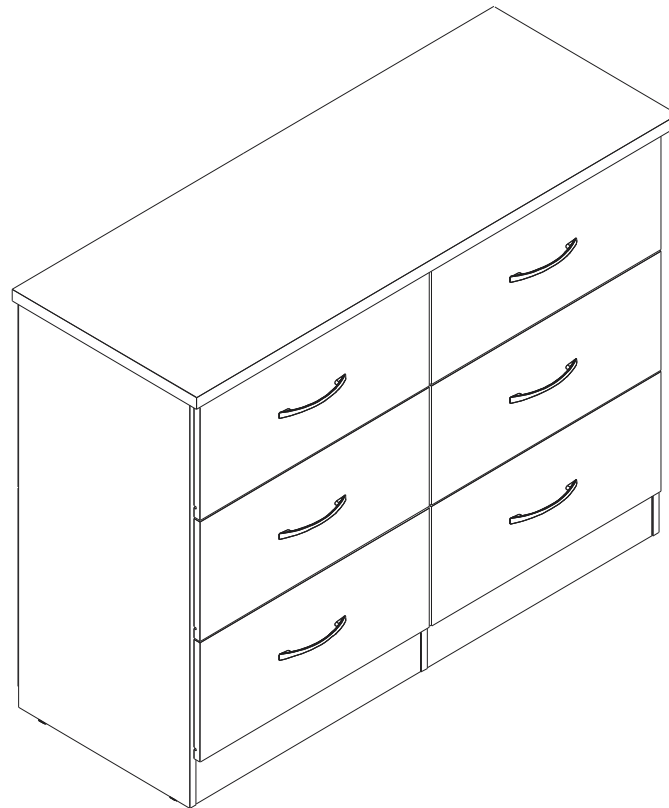


NEVADA 6 DRAWER CHEST ASSEMBLY INSTRUCTIONS



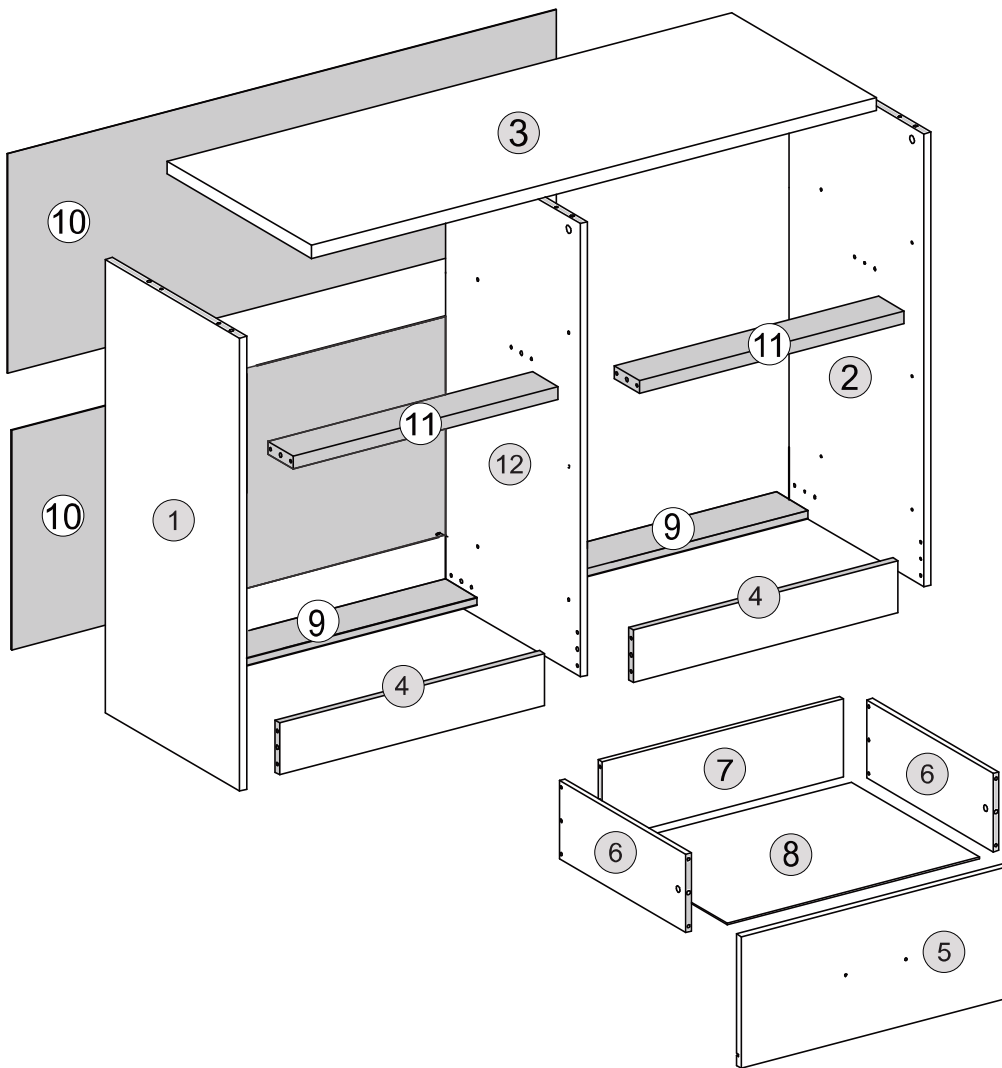
IMPORTANT FOR DOMESTIC USE ONLY

PLEASE READ BEFORE YOU CONTINUE FURTHER

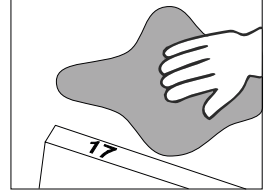
CARE AND MAINTENANCE

After unpacking this product please keep the original packaging in case it needs to be returned for any reason.

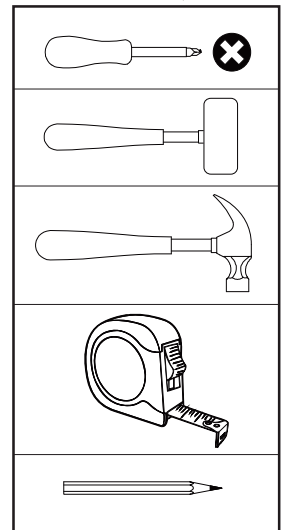
- Please ensure all fittings and parts are present before commencing with assembly.
- Never drag or push products as this could cause damage to the joints making it inferior.
- We strongly recommend that you keep children away from your work area.
- We recommend that you lay a blanket or sheet on the floor to avoid damage to both your floor and the product.
- Assemble this product as close to its final position as possible.
- Do not place this product next to a radiator or in direct sunlight.
- Do not drag or push items across your high gloss furniture as this may cause the surface to scratch
- Wood is a natural product and may expand if subjected to damp and may shrink or crack if subjected to heat. Therefore it is recommended that room temperature is maintained, with no sudden temperature fluctuations.
- Make sure any spillage is wiped off immediately.
- Do not place hot or chilled items directly on to the surface, use a place mat or marking will occur.
- For general cleaning use a soft cotton or micro fibre cloth, and do not use detergents of any kind.
- From time to time it may be necessary to tighten fittings, regular inspections should be carried out.
- Do not place on a wet or damp floor as staining may occur to your floor.



After assembly use an alcohol based product/cleaner to erase the numbers printed on the parts that are visual.





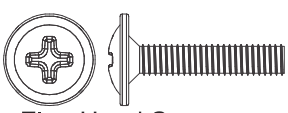
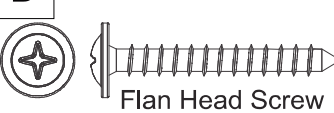
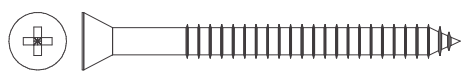
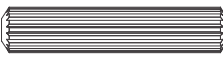
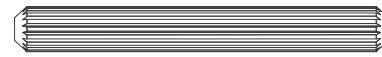

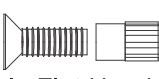
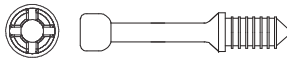
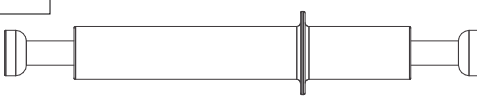
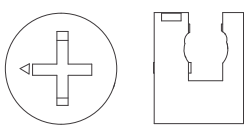
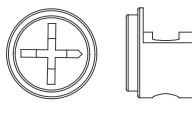
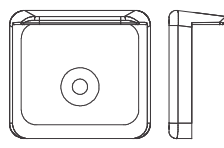

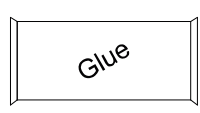



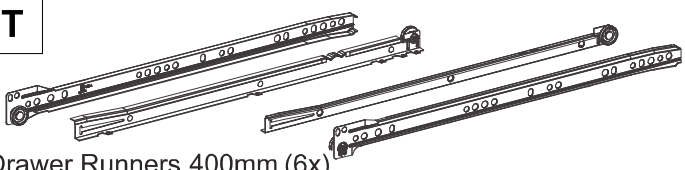
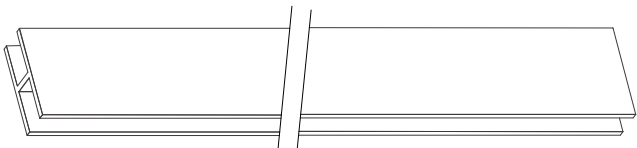
TOOLS REQUIRED



Please Note:
The below parts have all been stamped with the part number to help identify them during assembly.


Part Number	Part Description	Quantity	Carton
01	Left Side Panel	1	1/2
02	Right Side Panel	1	1/2
03	Top Panel	1	2/2
04	Front Baseboard	2	1/2
05	Drawer Front	6	2/2
06	Drawer Side	12	2/2
07	Drawer Back Panel	6	1/2
08	Drawer Bottom	6	2/2
09	Back Baseboard	2	1/2
10	Back Panel	2	2/2
11	Crossbar	2	1/2
12	Division Panel	1	1/2

FITTINGS LIST


<p>A</p>  <p>Flat Head Screw Ø4,0 x 14mm (36x)</p> <p>+/2</p>	<p>B</p>  <p>Flat Head Screw Ø6,0 x 10mm (12x)</p> <p>+/2</p>	<p>C</p>  <p>Flan Head Screw Ø4,0 x 20mm (12x)</p> <p>+/2</p>	<p>D</p>  <p>Flan Head Screw Ø3,5 x 30mm (2x)</p> <p>+/1</p>
<p>E</p>  <p>Flat Head Screw Ø4,0x 50mm (12x)</p> <p>+/2</p>	<p>F</p>  <p>Dowel Ø6,0 x 30mm (66x)</p> <p>+/2</p>	<p>G</p>  <p>Dowel Ø6,0 x 50mm (6x)</p> <p>+/1</p>	
<p>H</p>  <p>Nail 10x10 Ringed 1,5x23mm (116x)</p> <p>+/2</p>	<p>I</p>  <p>Double Flat Head Screw Ø4,0 x 18mm (6x)</p> <p>+/1</p>	<p>J</p>  <p>Cam Bolt (24x)</p> <p>+/2</p>	<p>K</p>  <p>Double Cam Bolt (3x)</p> <p>+/1</p>
<p>L</p>  <p>Cam Nut Ø14,9x11mm (18x)</p> <p>+/2</p>	<p>M</p>  <p>Cam Nut Ø12x8,8mm (12x)</p> <p>+/2</p>	<p>N</p>  <p>Plastic Foot L 19x17x8mm (6x)</p> <p>+/1</p>	<p>O</p>  <p>Hole Plugs Líneo19mm(12x)</p> <p>+/2</p>
<p>P</p>  <p>Glue 10gr (3x)</p>	<p>Q</p>  <p>Strap 200x20x1mm (2x)</p>	<p>R</p>  <p>Washer Ø16x7mm (4x)</p> <p>+/1</p>	<p>S</p>  <p>Handle (6x)</p>
<p>T</p>  <p>Drawer Runners 400mm (6x)</p>		<p>U</p>  <p>Back Panel Strip H1138x19x3,8mm (1x)</p>	

TIPS FOR FITTINGS CAM-LOCKS

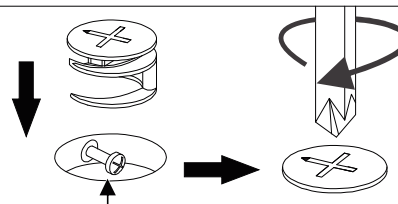
WHEN FITTING CAM NUT. ENSURE STARTING POSITION IS CORRECT BEFORE YOU INSERT CONNECTING CAM BOLT TURN CLOCKWISE UNTIL SECURE



↑
CORRECT



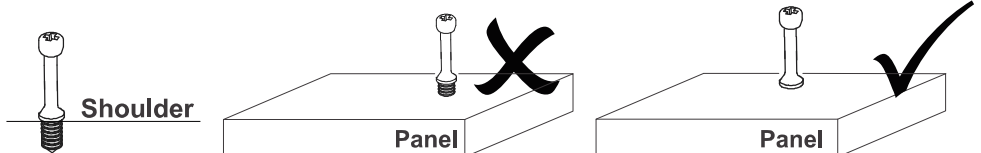
↓
WRONG



Cam bolt head needs to be in centre

CAMBOLT

Tighten until shoulder in flush with panel. Do not overtighten or undertighten (see example beside)

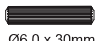




STEP 1

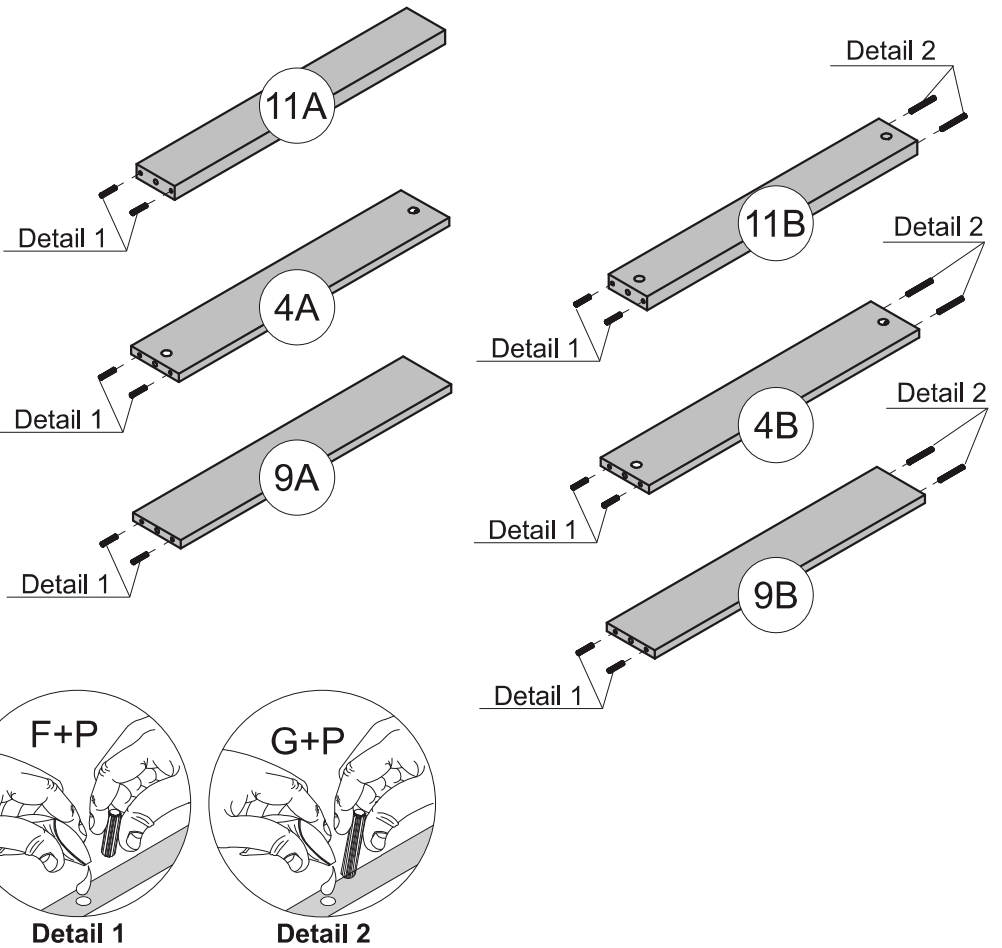
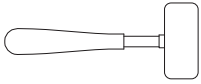
PARTS REQUIRED

4 - FRONT BASEBOARD	x2
9 - BACK BASEBOARD	x2
11 - CROSSBAR	x2

HARDWARE REQUIRED

F		12
G		06
P		01

TOOLS REQUIRED

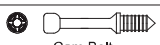


STEP 2

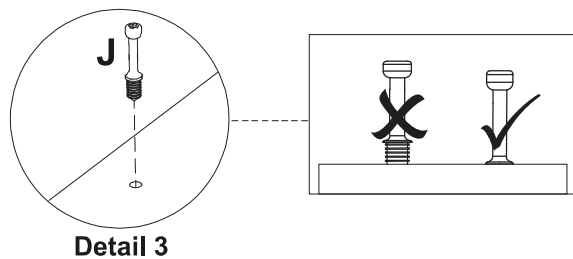
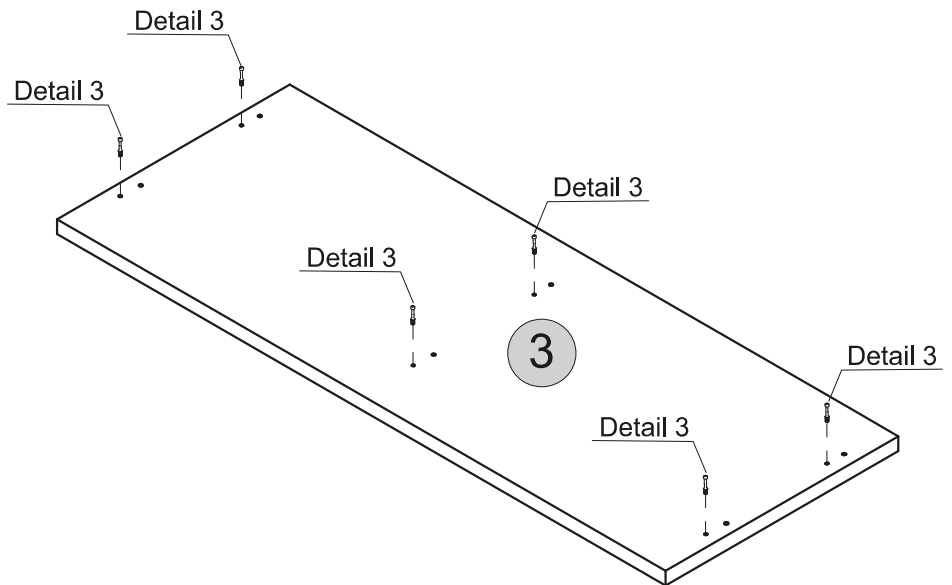
PARTS REQUIRED

3 - TOP PANEL	x1
---------------	----

HARDWARE REQUIRED

J		06
---	---	----

TOOLS REQUIRED




STEP 3

PARTS REQUIRED

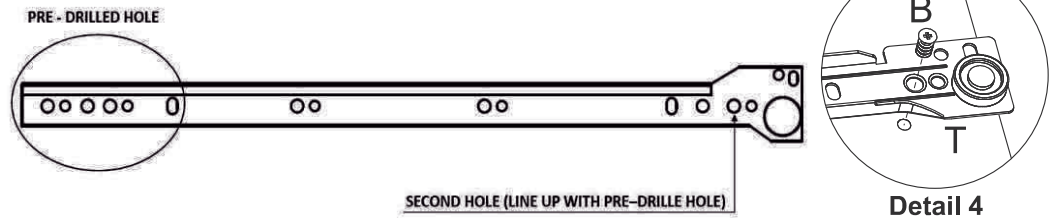
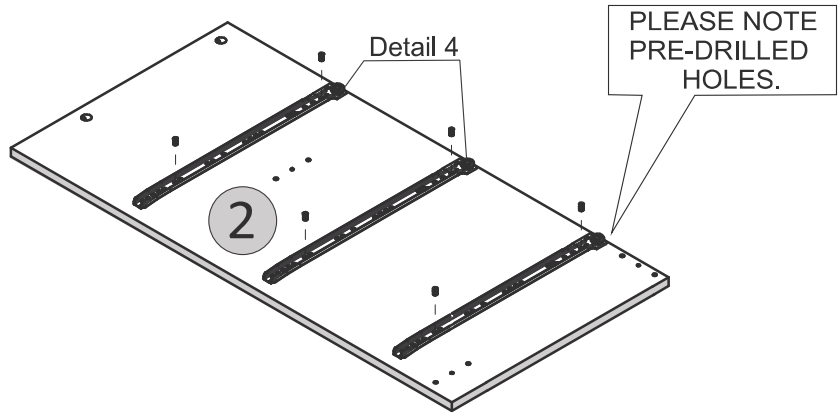
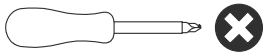
2 - RIGHT SIDE PANEL x1

HARDWARE REQUIRED

B  06
Ø6,0 x 10mm

T  03
Right

TOOLS REQUIRED





STEP 4

PARTS REQUIRED

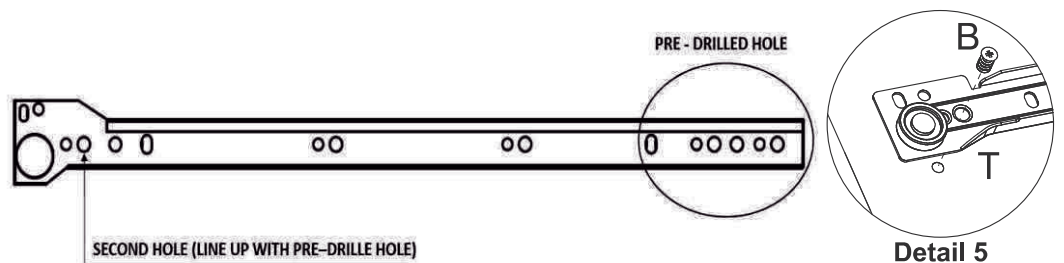
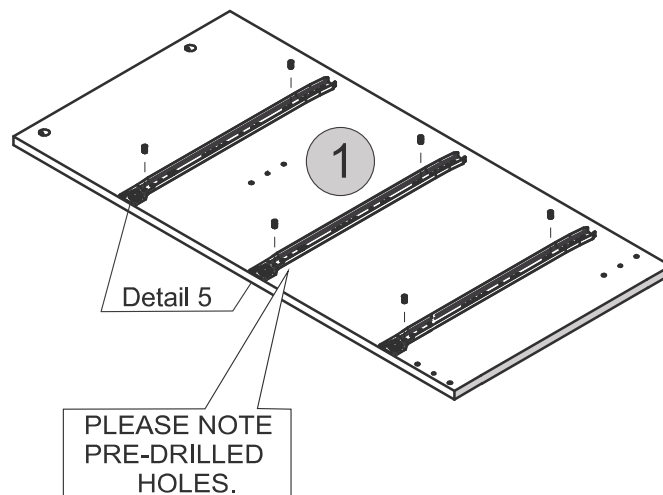
1 - LEFT SIDE PANEL x1

HARDWARE REQUIRED

B  06
Ø6,0 x 10mm

T  03
Left

TOOLS REQUIRED

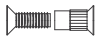


STEP 5

PARTS REQUIRED

12 - DIVISION PANEL x1

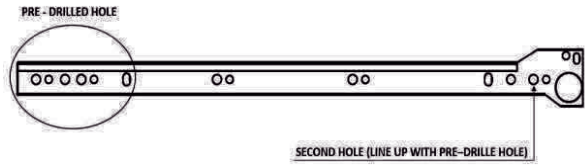
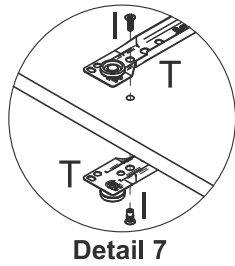
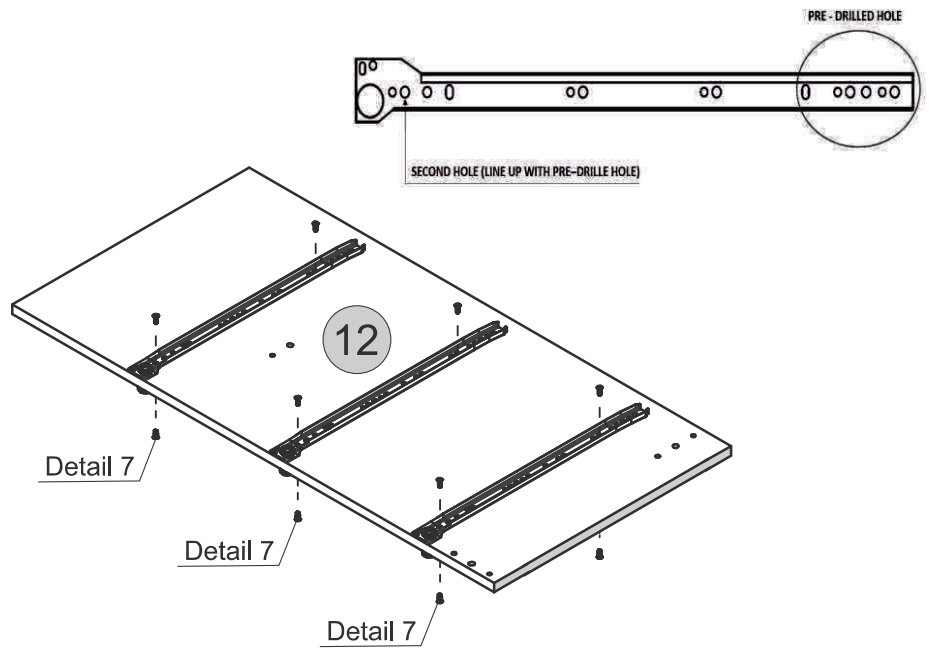
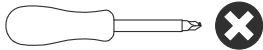
HARDWARE REQUIRED

I  06

T  Right 03

T  Left 03

TOOLS REQUIRED




STEP 6

PARTS REQUIRED

12 - DIVISION PANEL x1

HARDWARE REQUIRED

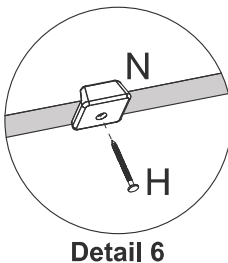
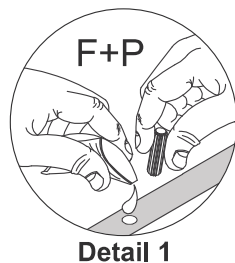
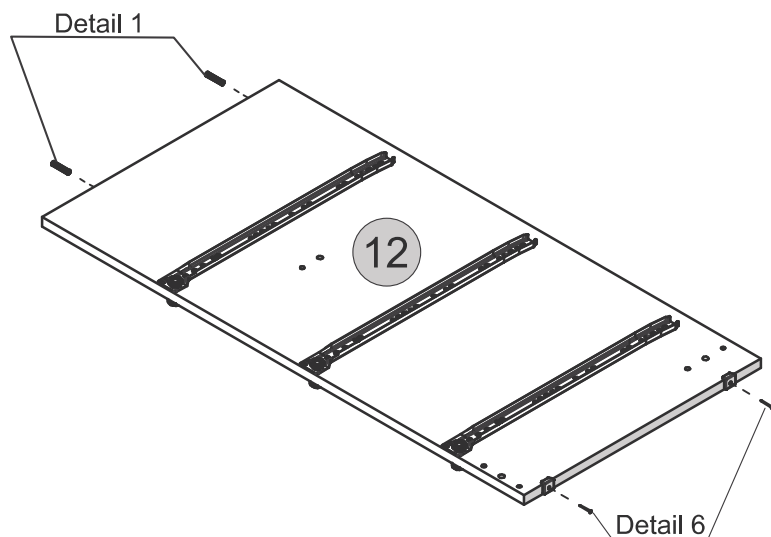
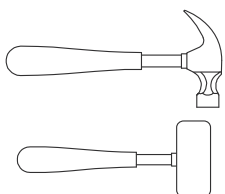
F  Ø6,0 x 30mm 02

H  02

N  02

P  01

TOOLS REQUIRED



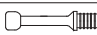




STEP 7

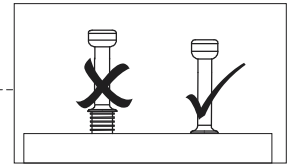
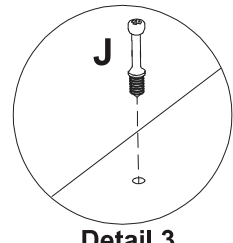
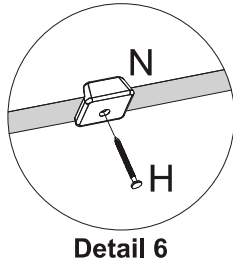
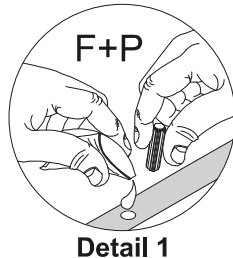
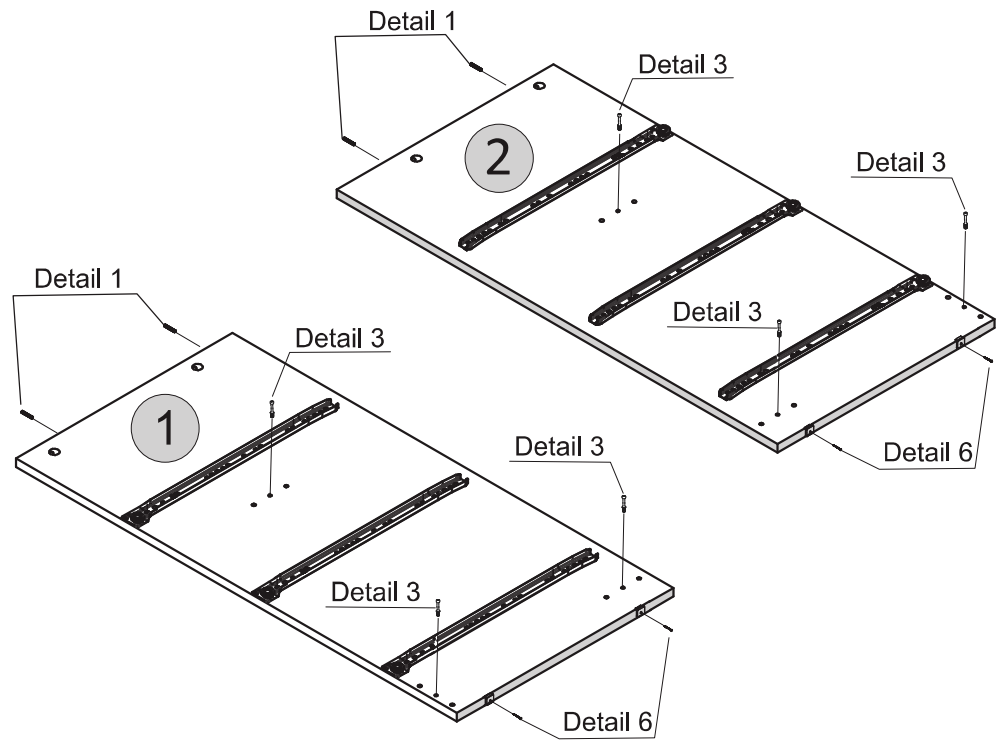
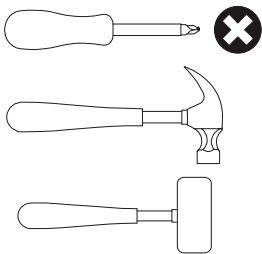
PARTS REQUIRED

- 1 - LEFT SIDE PANEL x1
- 2 - RIGHT SIDE PANEL x1

HARDWARE REQUIRED

- F  04
Ø6,0 x 30mm
- H  04
- J  06
Cam Bolt
- N  04
- P  01
Glue

TOOLS REQUIRED

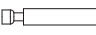




STEP 8

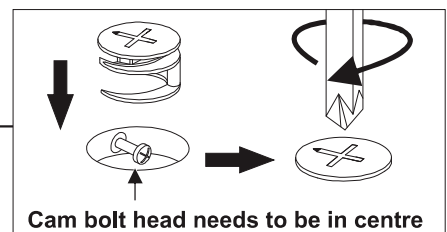
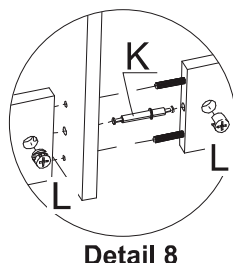
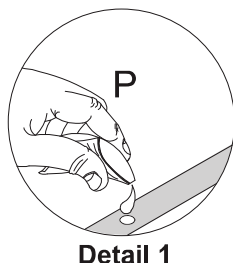
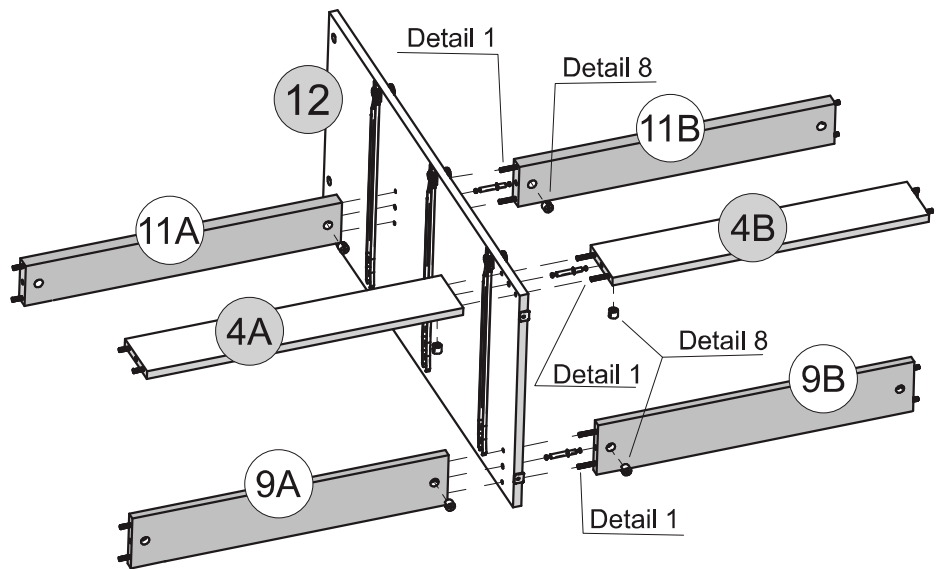
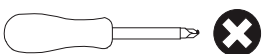
PARTS REQUIRED

- 4 - FRONT BASEBOARD x2
- 9 - BACK BASEBOARD x2
- 11- CROSSBAR x2
- 12- DIVISION PANEL x1

HARDWARE REQUIRED

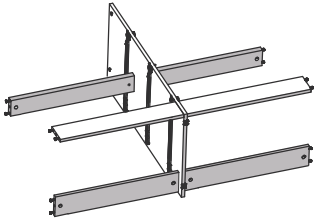
- K  03
- L  06
- P  01
Glue

TOOLS REQUIRED



STEP 9

PARTS REQUIRED

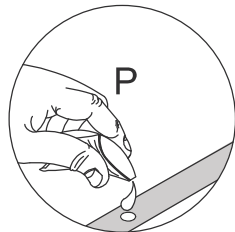
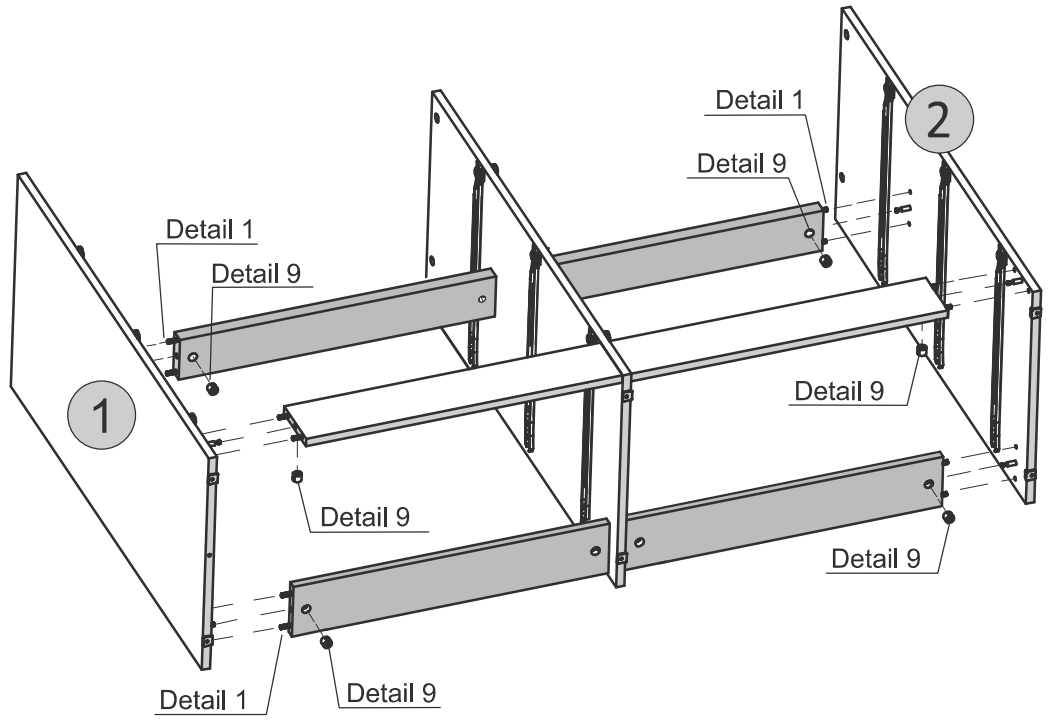
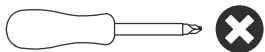


- 1 - LEFT SIDE PANEL x1
- 2 - RIGHT SIDE PANEL x1

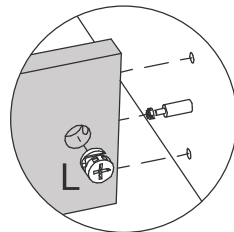
HARDWARE REQUIRED

- L 06
- P 01

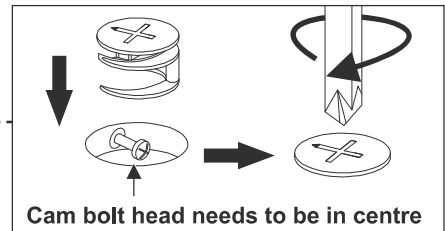
TOOLS REQUIRED



Detail 1



Detail 9

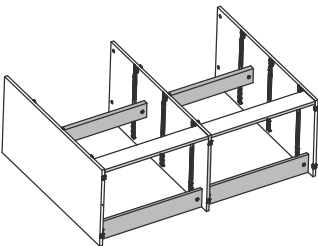


Cam bolt head needs to be in centre

STEP 10

PARTS REQUIRED

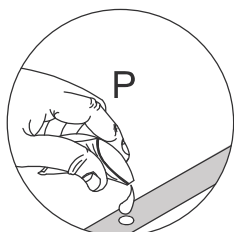
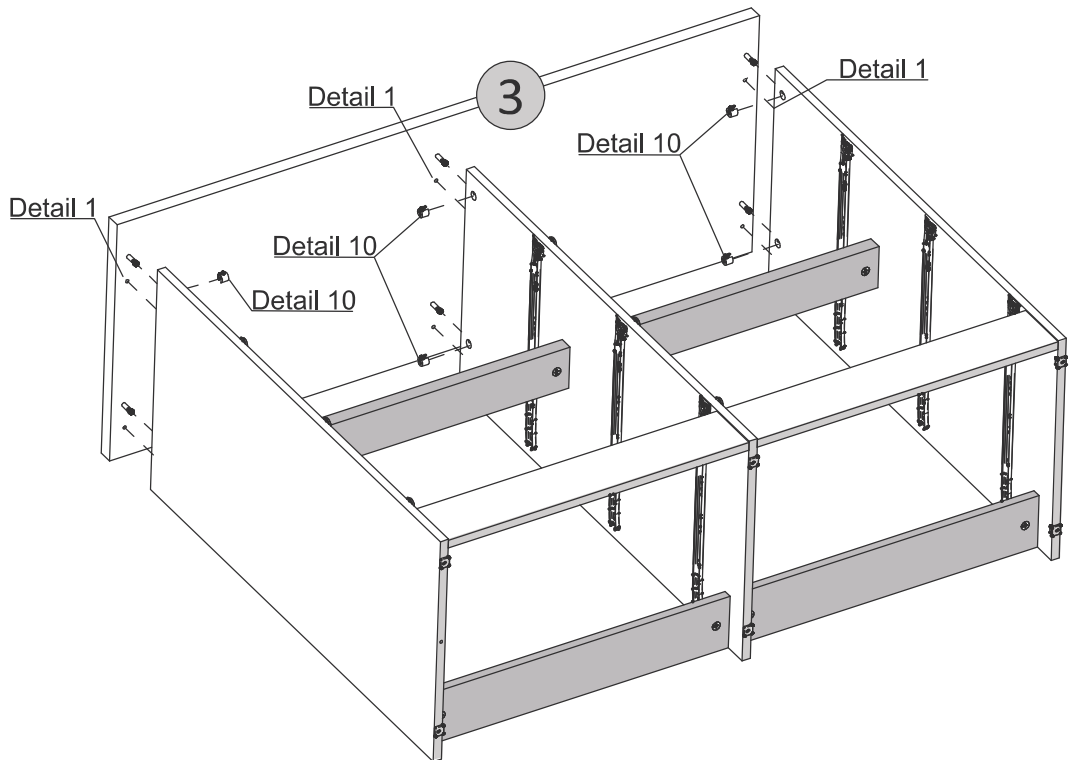
- 3 - TOP PANEL x1



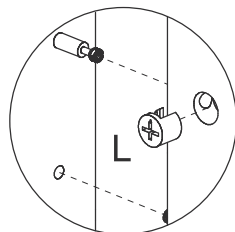
HARDWARE REQUIRED

- L 06
- P 01

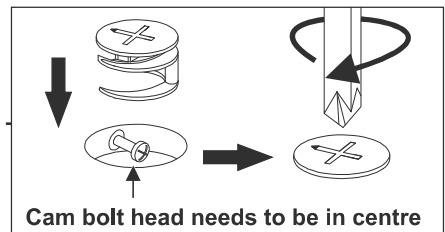
TOOLS REQUIRED



Detail 1



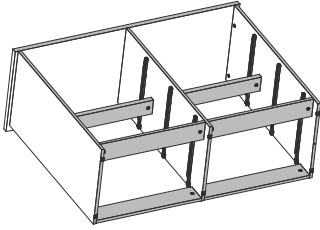
Detail 10



Cam bolt head needs to be in centre


STEP 11

PARTS REQUIRED



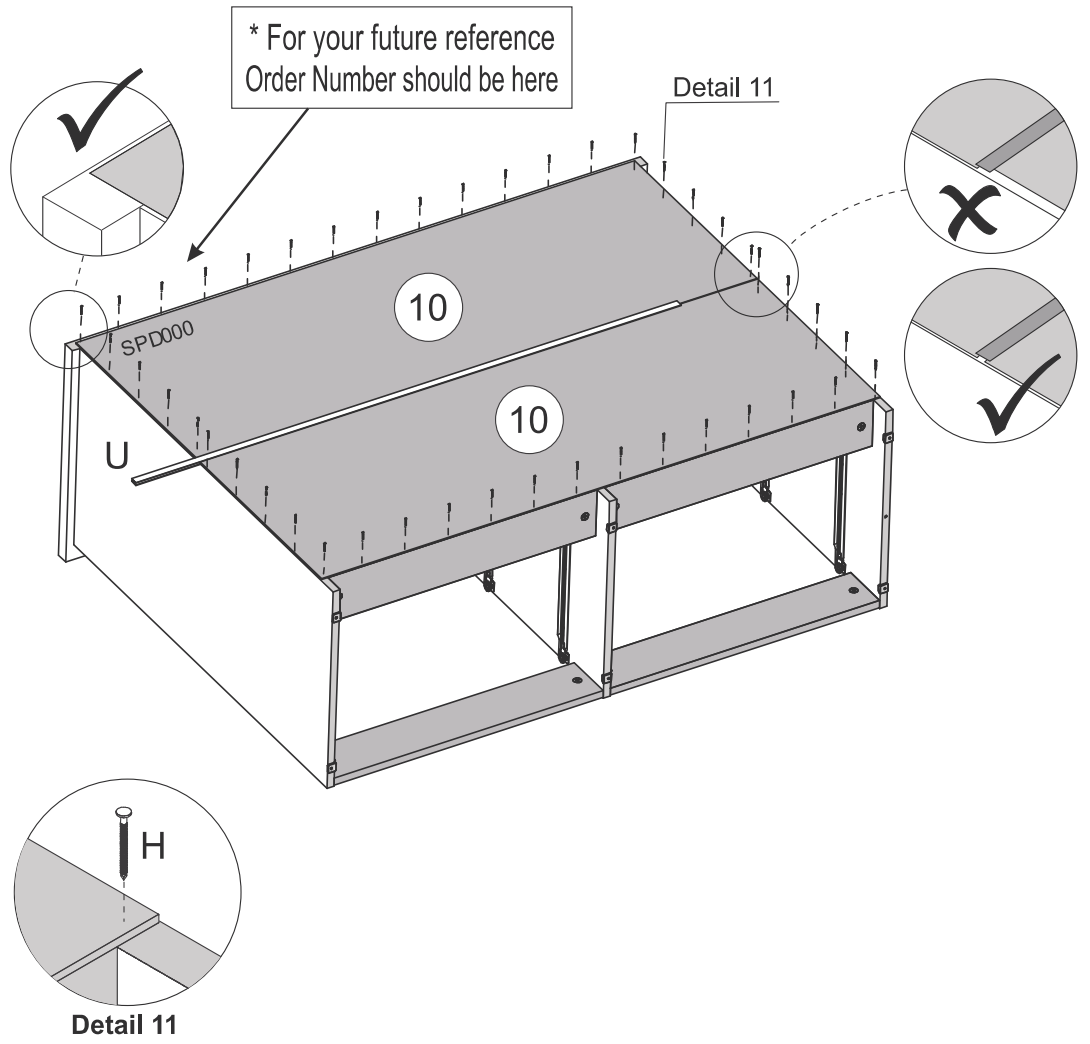
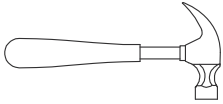
10- BACK PANEL x2

HARDWARE REQUIRED

H  46
10 x 10

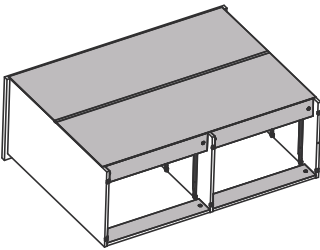
U  01

TOOLS REQUIRED




STEP 12

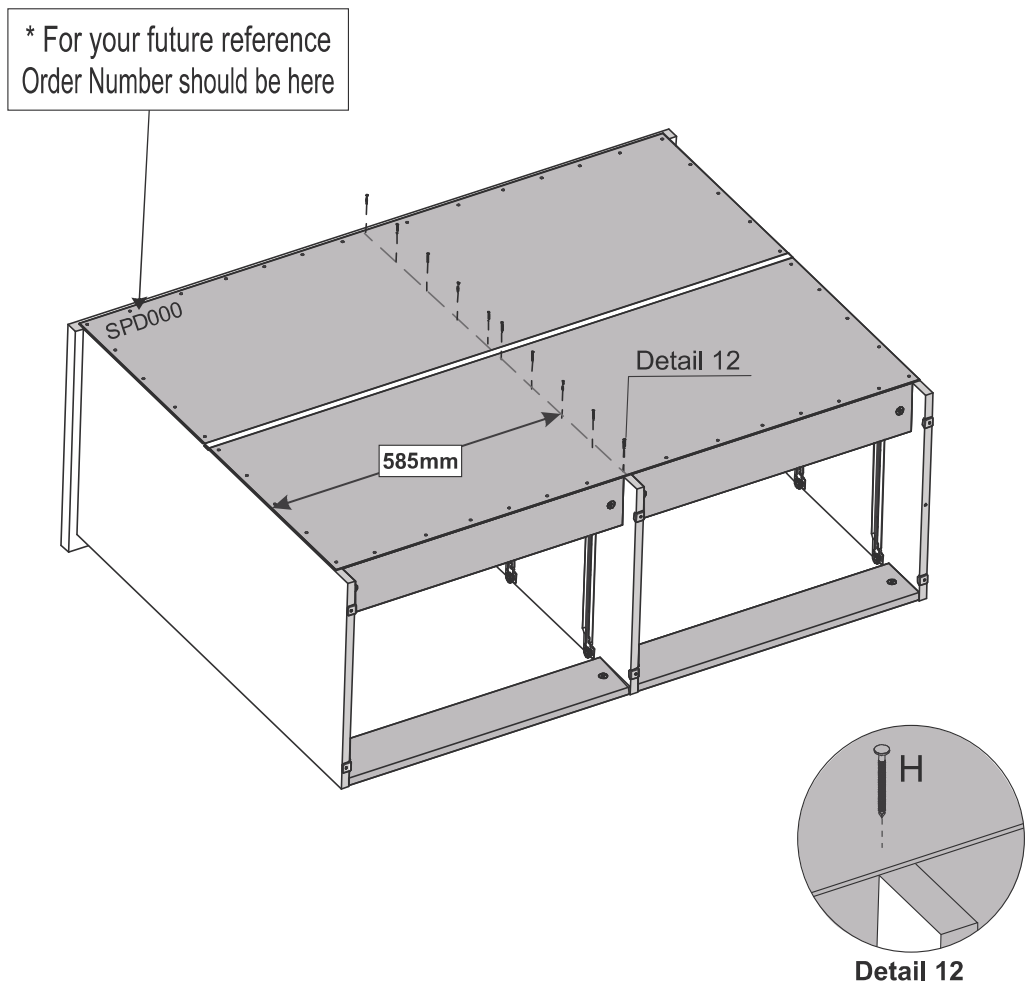
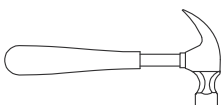
PARTS REQUIRED



HARDWARE REQUIRED

H  10
10 x 10

TOOLS REQUIRED



STEP 13

PARTS REQUIRED

5 - DRAWER FRONT x6

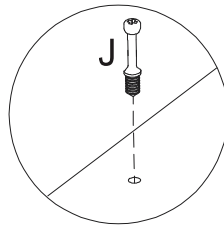
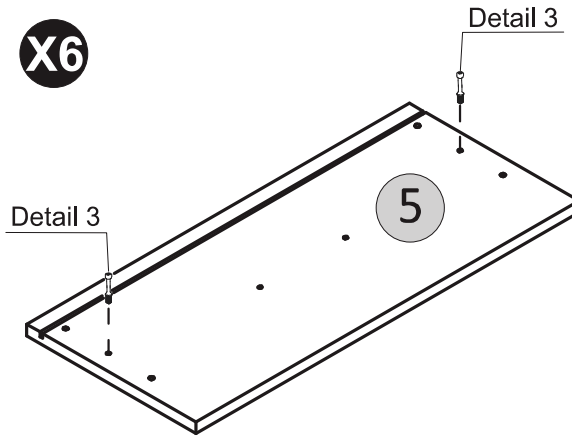
HARDWARE REQUIRED

J  12

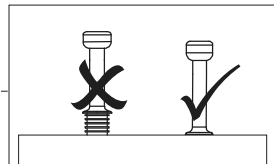
TOOLS REQUIRED



X6



Detail 3



STEP 14

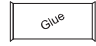
PARTS REQUIRED

7 - DRAWER BACK PANEL x6

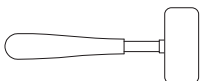
6 - DRAWER SIDE x12

HARDWARE REQUIRED

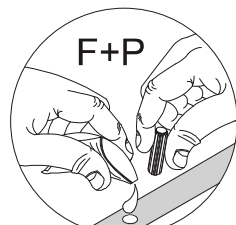
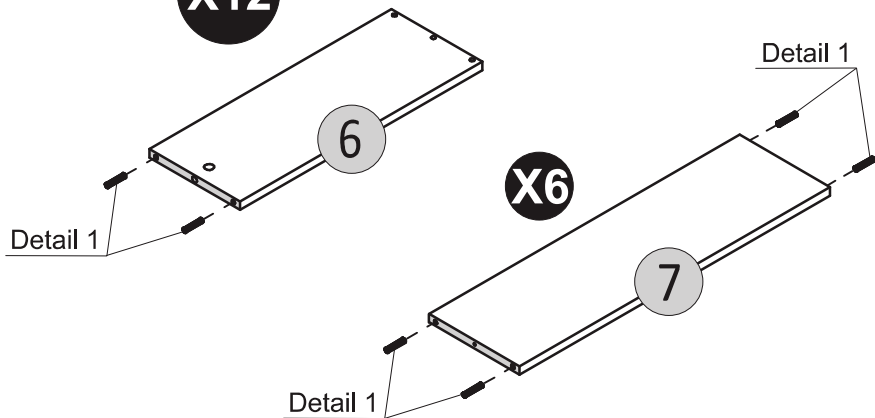
F  48
Ø6,0 x 30mm

P  01

TOOLS REQUIRED



X12



Detail 1


STEP 15

PARTS REQUIRED

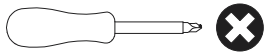
7 - DRAWER BACK PANEL x6

6 - DRAWER SIDE x12

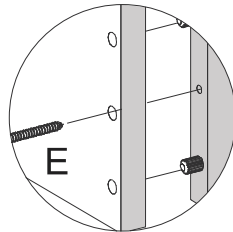
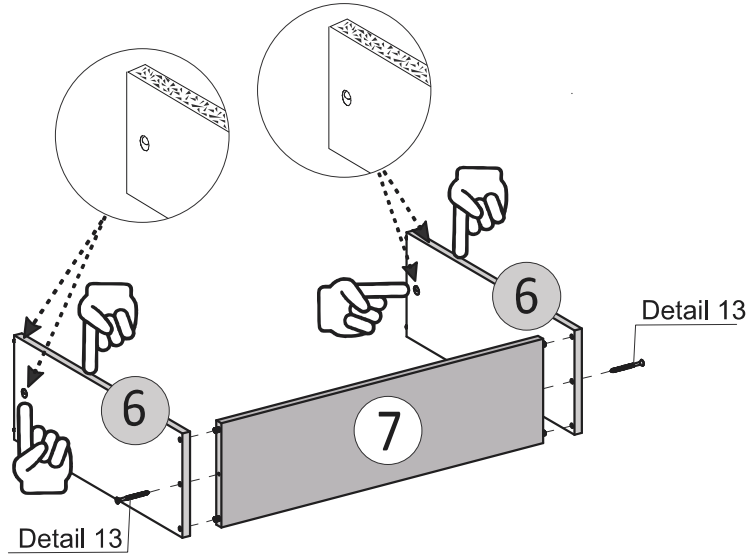
HARDWARE REQUIRED

E  12
Ø4,0 x 50mm

TOOLS REQUIRED



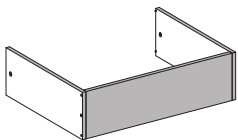
X6



Detail 13

STEP 16

PARTS REQUIRED

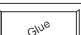


5 - DRAWER FRONT x6

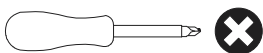
HARDWARE REQUIRED

M  12

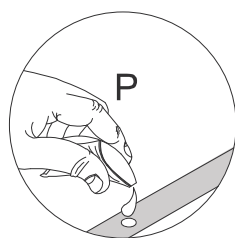
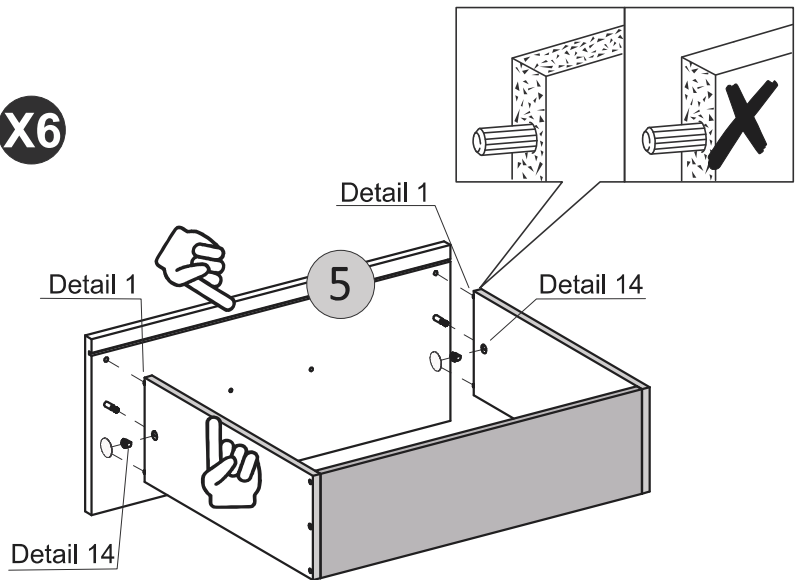
O  12

P  01

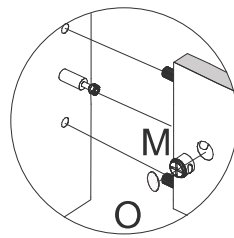
TOOLS REQUIRED



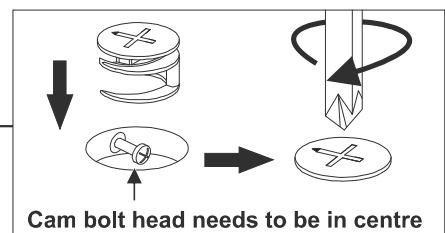
X6



Detail 1

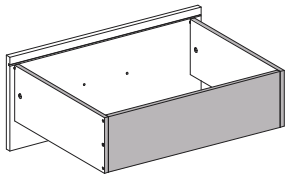


Detail 14



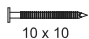
STEP 17

PARTS REQUIRED

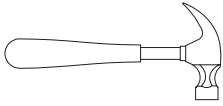


8 - DRAWER BOTTOM x6

HARDWARE REQUIRED

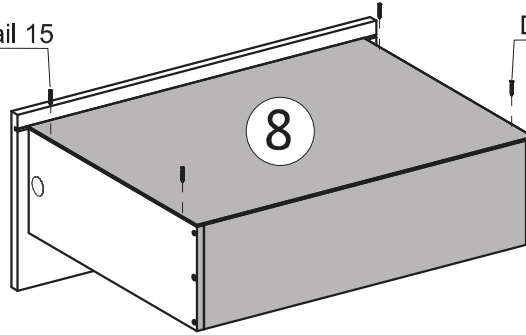
H  24
10 x 10

TOOLS REQUIRED

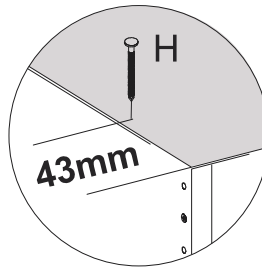
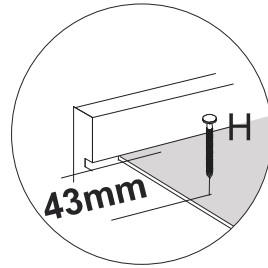


X6

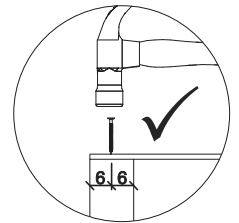
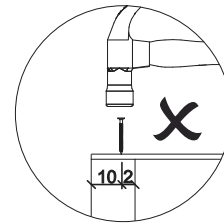
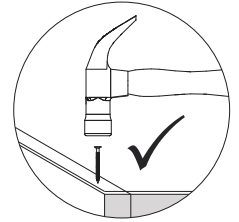
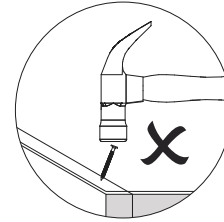
Detail 15



Detail 15

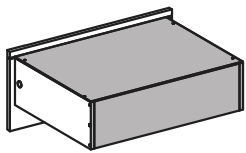


Detail 15




STEP 18

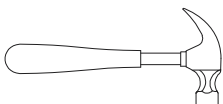
PARTS REQUIRED



HARDWARE REQUIRED

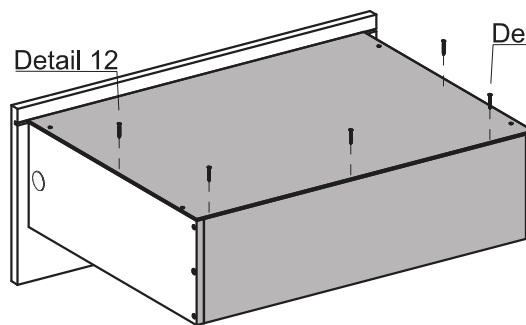
H  30
10 x 10

TOOLS REQUIRED

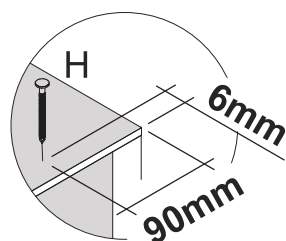


X6

Detail 12



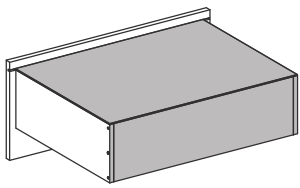
Detail 12



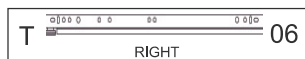
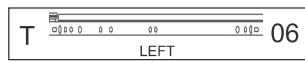
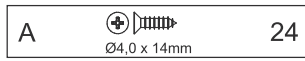
Detail 12

STEP 19

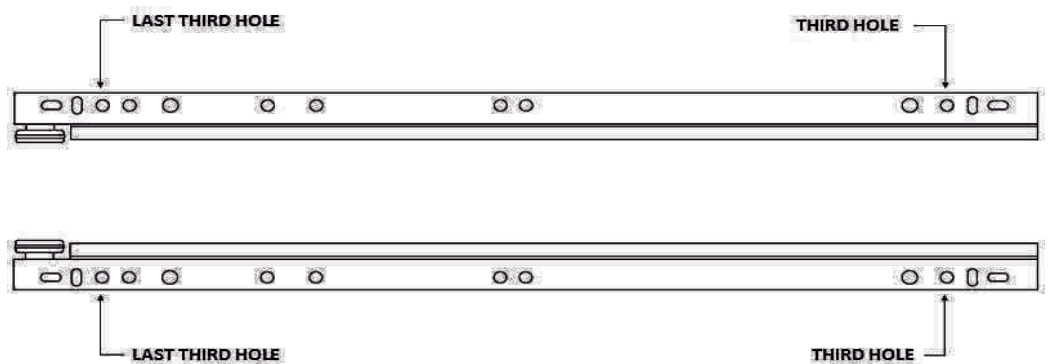
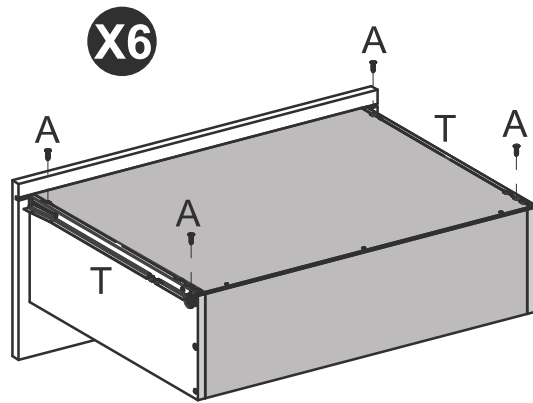
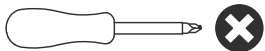
PARTS REQUIRED



HARDWARE REQUIRED

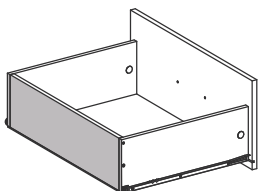


TOOLS REQUIRED

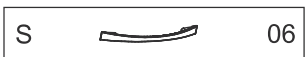
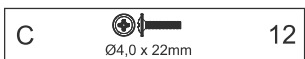


STEP 20

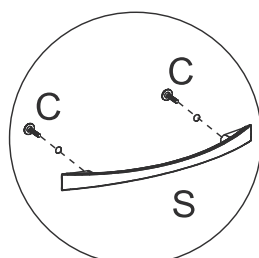
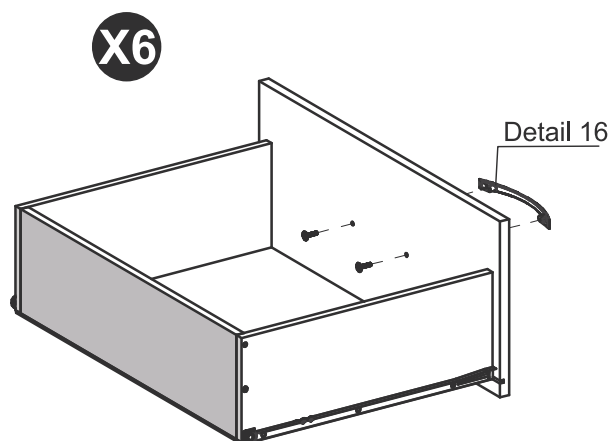
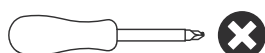
PARTS REQUIRED



HARDWARE REQUIRED



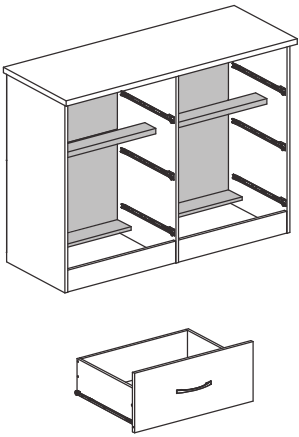
TOOLS REQUIRED



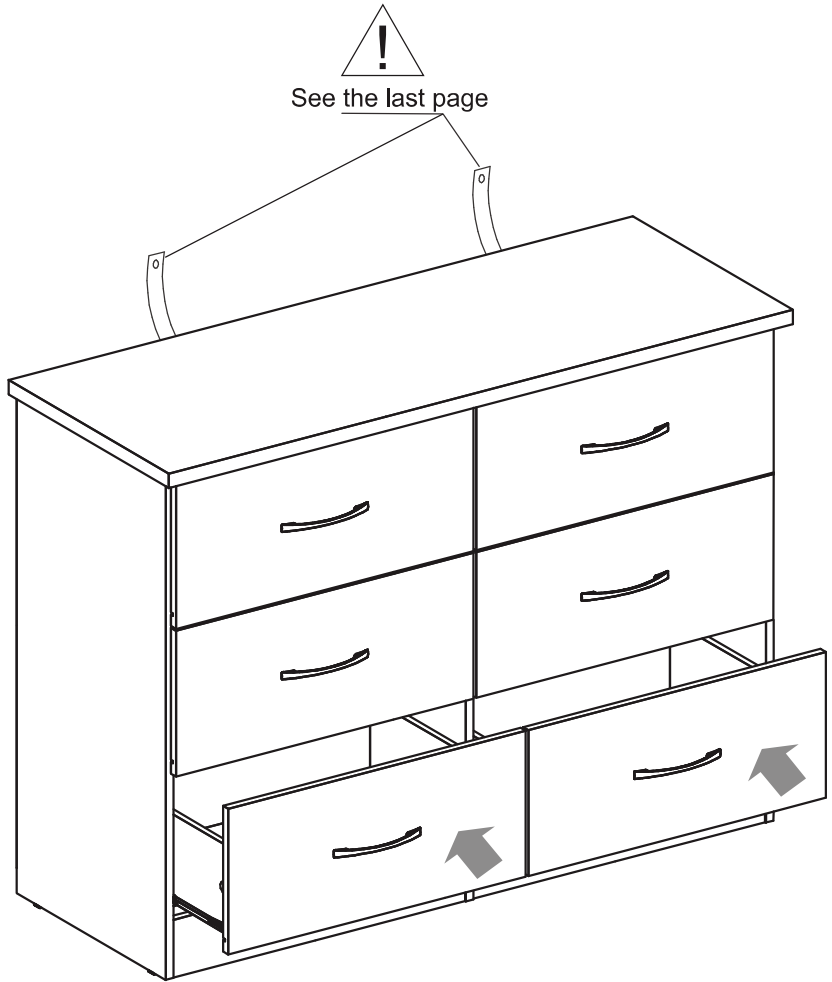
Detail 16

STEP 21

PARTS REQUIRED

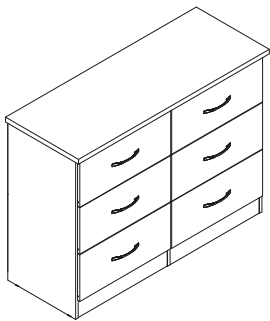


See the last page

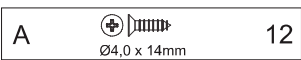


STEP 22

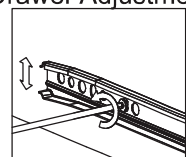
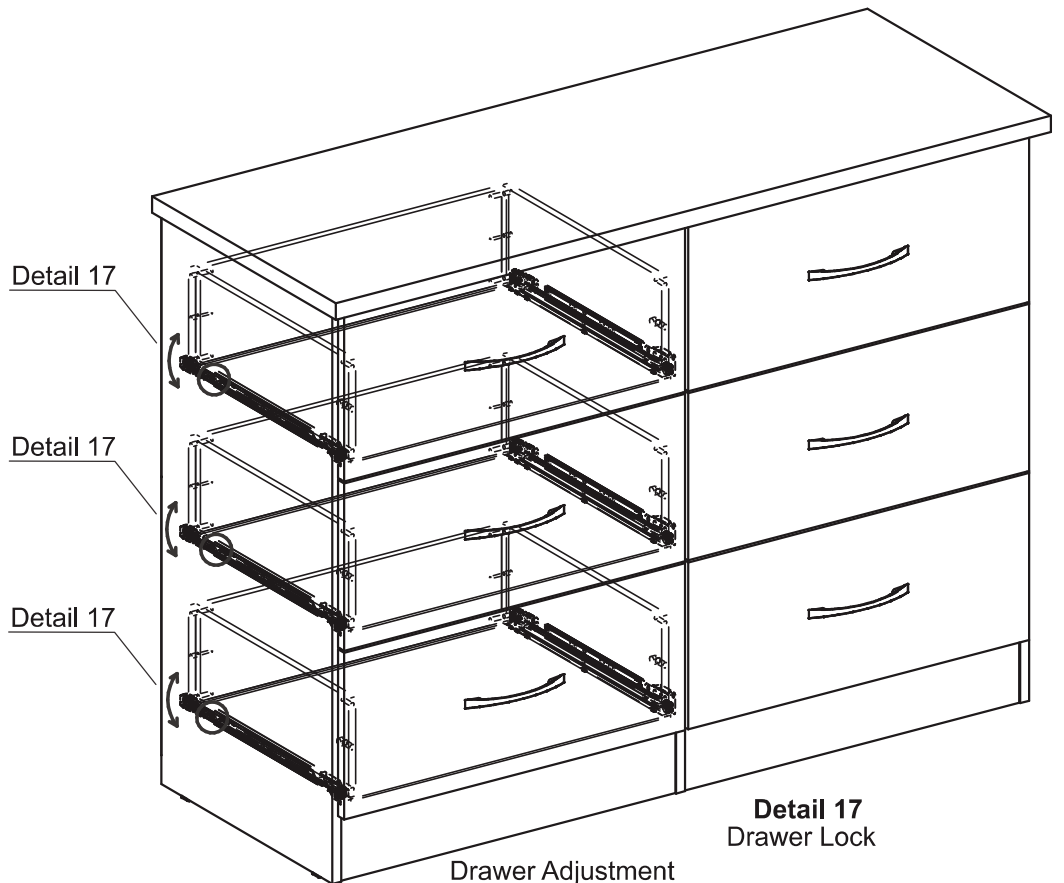
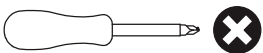
PARTS REQUIRED



HARDWARE REQUIRED



TOOLS REQUIRED



WARNING

Serious or fatal injuries can occur from furniture tipping over. To prevent the furniture from tipping over we recommend that it is permanently fixed to the wall.

Wall fixings are not supplied with this product as different wall materials require different types of fixing devices.

Please make sure you use fixings suitable for the walls in your home.

