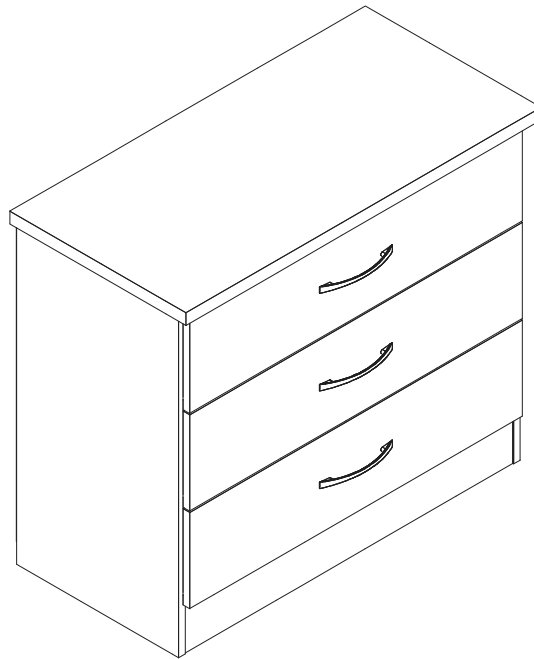


# NEVADA 3 DRAWER CHEST ASSEMBLY INSTRUCTIONS



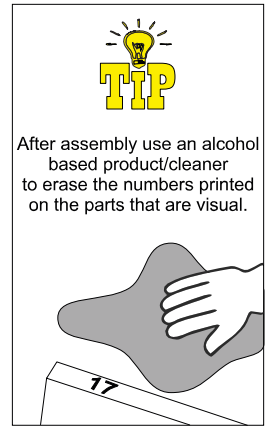
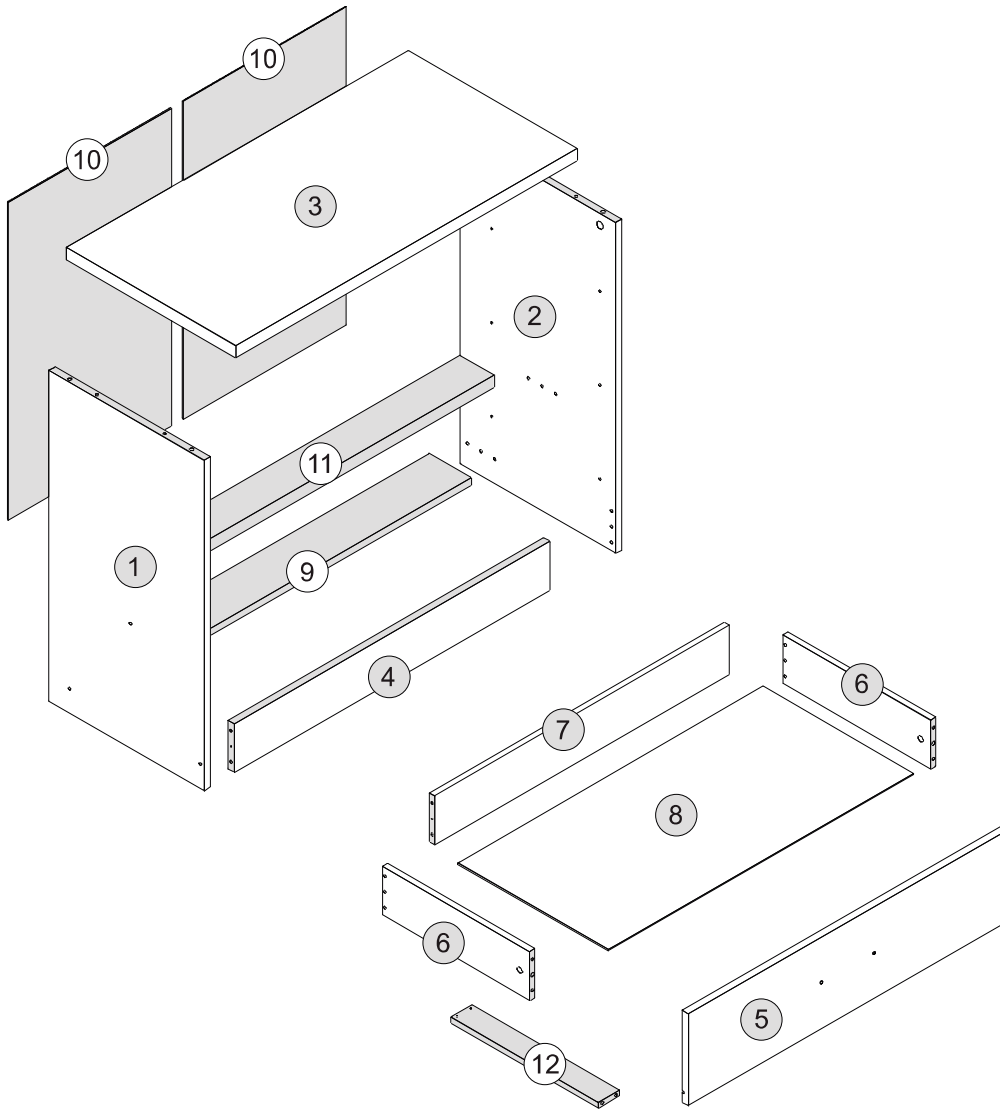
## **IMPORTANT FOR DOMESTIC USE ONLY**

**PLEASE READ BEFORE YOU CONTINUE FURTHER**

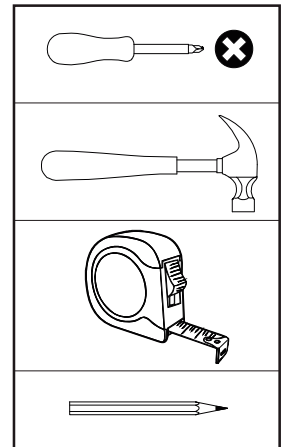
## **CARE AND MAINTENANCE**

After unpacking this product please keep the original packaging in case it needs to be returned for any reason.

- Please ensure all fittings and parts are present before commencing with assembly.
- Never drag or push products as this could cause damage to the joints making it inferior.
- We strongly recommend that you keep children away from your work area.
- We recommend that you lay a blanket or sheet on the floor to avoid damage to both your floor and the product.
- Assemble this product as close to its final position as possible.
- Do not place this product next to a radiator or in direct sunlight.
- Do not drag or push items across your high gloss furniture as this may cause the surface to scratch
- Wood is a natural product and may expand if subjected to damp and may shrink or crack if subjected to heat. Therefore it is recommended that room temperature is maintained, with no sudden temperature fluctuations.
- Make sure any spillage is wiped off immediately.
- Do not place hot or chilled items directly on to the surface, use a place mat or marking will occur.
- For general cleaning use a soft cotton or micro fibre cloth, and do not use detergents of any kind.
- From time to time it may be necessary to tighten fittings, regular inspections should be carried out.
- Do not place on a wet or damp floor as staining may occur to your floor.



**TOOLS REQUIRED**

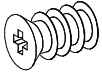
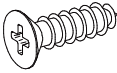
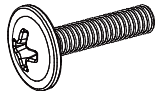
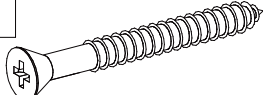

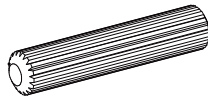

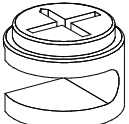
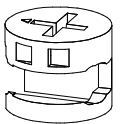


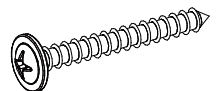



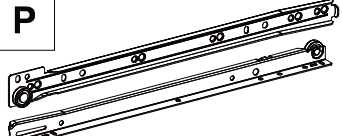
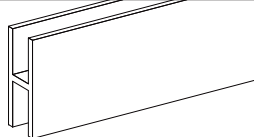





**PARTS LIST**

**Please Note:**  
The below parts have all been stamped with the part number to help identify them during assembly.


Part Number	Part Description	Quantity	Carton
01	Left Side Panel	1	1/1
02	Right Side Panel	1	1/1
03	Top Panel	1	1/1
04	Front Baseboard	1	1/1
05	Drawer Front	3	1/1
06	Drawer Side	6	1/1
07	Drawer Back Panel	3	1/1
08	Drawer Bottom	3	1/1
09	Back Baseboard	1	1/1
10	Back Panel	2	1/1
11	Crossbar	1	1/1
12	Drawer Bottom Support Bar	3	1/1

## FITTINGS LIST


<p><b>A</b></p>  <p>Flat Head Screw 2/+ Ø6,0 x 10mm (12x)</p>	<p><b>B</b></p>  <p>Flat Head Screw 2/+ Ø4,0 x 14mm (18x)</p>	<p><b>C</b></p>  <p>Flan Head Screw Ø4,0 x 20mm (6x)</p>	<p><b>D</b></p>  <p>Flat Head Screw 1/+ Ø3,5 x 40mm (6x)</p>
<p><b>E</b></p>  <p>Flat Head Screw 2/+ Ø4,0 x 50mm (12x)</p>	<p><b>F</b></p>  <p>2/+ Dowel Ø6,0 x 30mm (46x)</p>	<p><b>G</b></p>  <p>2/+ Nail 10x10 Ringed-1,5x23mm (56x)</p>	<p><b>H</b></p>  <p>1/+ Cam Nut Ø12x8 8mm (6x)</p>
<p><b>I</b></p>  <p>1/+ Cam Nut Ø14,9x11 mm (4x)</p>	<p><b>J</b></p>  <p>1/+ Washer Ø16x7 (4x)</p>	<p><b>K</b></p>  <p>1/+ Plastic Foot L 19x17x8mm Ø2 (6x)</p>	<p><b>L</b></p>  <p>1/+ Flan Head Screw Ø3,5 x 30mm (2x)</p>
<p><b>M</b></p>  <p>2/+ Cam Bolt (10x)</p>	<p><b>N</b></p>  <p>2/+ Hole Plugs 19mm (6x)</p>	<p><b>O</b></p>  <p>Glue 10 Gr (2x)</p>	<p><b>P</b></p>  <p>Drawer Runners 350mm (3x)</p>
<p><b>Q</b></p>  <p>Back Panel Strip H619x19x3 8MM (1x)</p>	<p><b>R</b></p>  <p>Strap 200x20x1MM (2x)</p>	<p><b>S</b></p>  <p>Handle (3x)</p>	<p><b>T</b></p>  <p>+1/2 Hole Plugs Lineo 19mm (6x)</p>

### TIPS FOR FITTINGS CAM-LOCKS

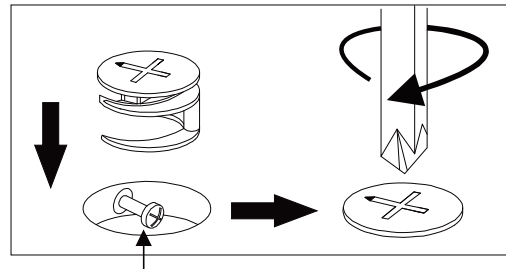
WHEN FITTING CAM NUT, ENSURE STARTING POSITION IS CORRECT BEFORE YOU INSERT CONNECTING CAM BOLT TURN CLOCKWISE UNTIL SECURE



↑  
CORRECT



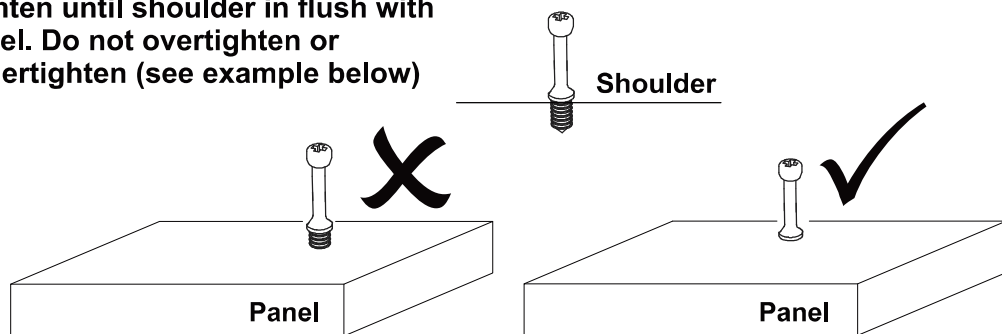
WRONG



Cam bolt head needs to be in centre

#### **CAMBOLT**

**Tighten until shoulder in flush with panel. Do not overtighten or undertighten (see example below)**

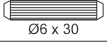


# STEP 1

## PARTS REQUIRED

1 - LEFT SIDE PANEL x1

## HARDWARE REQUIRED

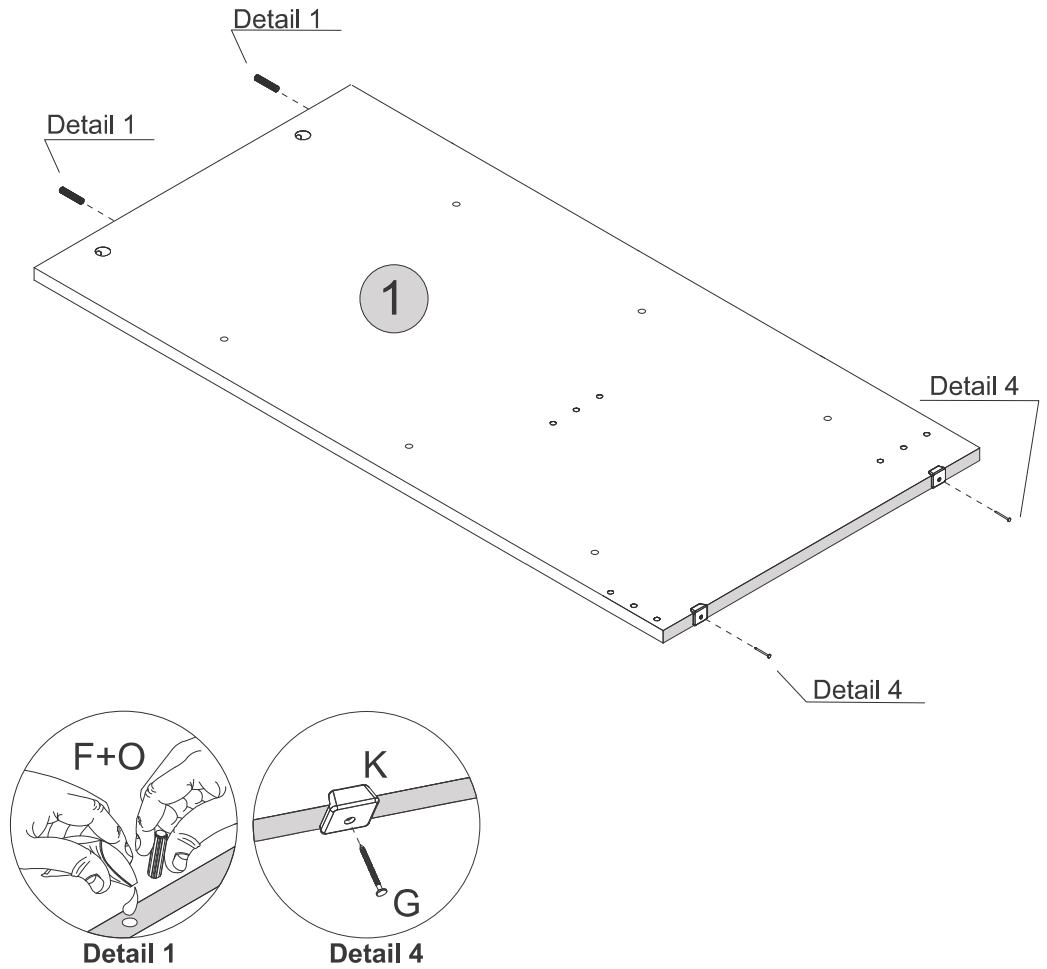
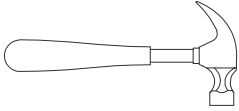
F  02  
Ø6 x 30

G  02  
10 x 10

K  02

O  01  
GLUE

## TOOLS REQUIRED

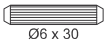


# STEP 2

## PARTS REQUIRED

2 - RIGHT SIDE PANEL x1

## HARDWARE REQUIRED

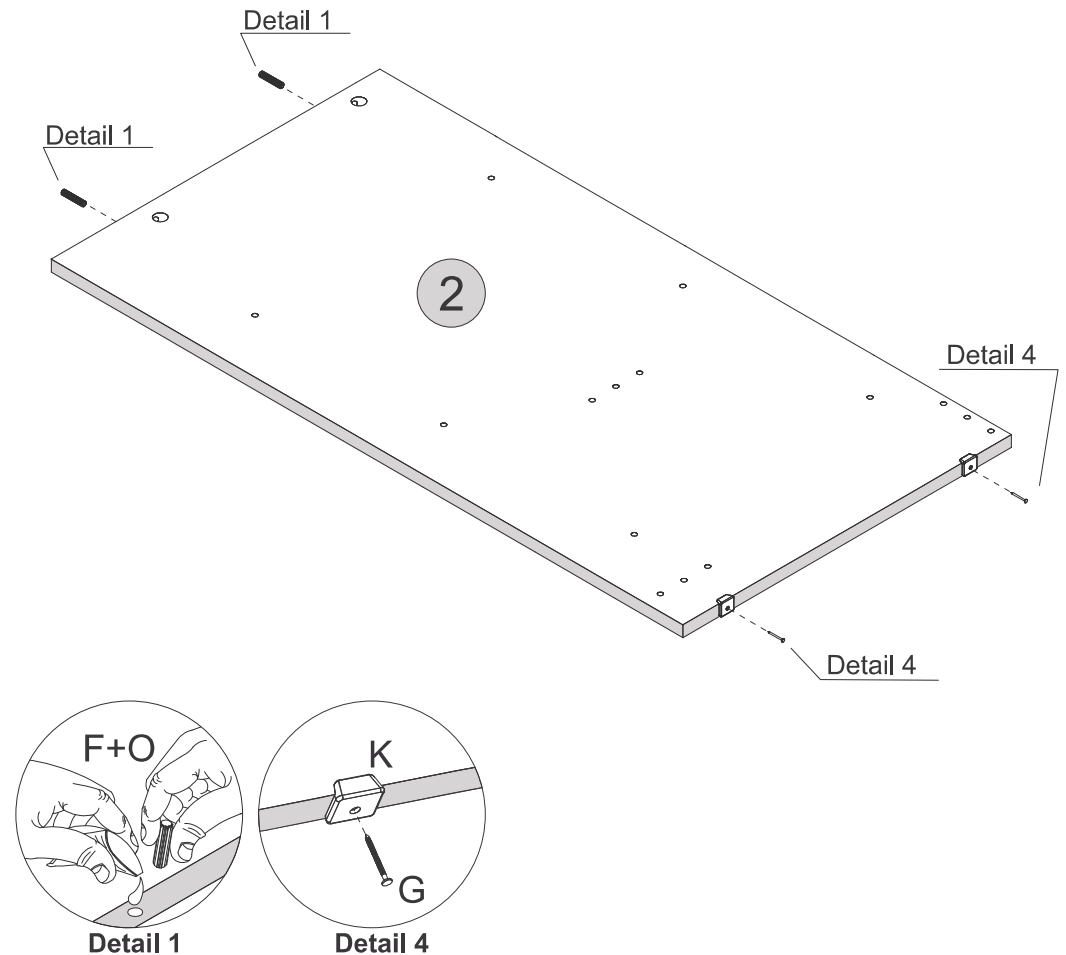
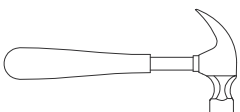
F  02  
Ø6 x 30

G  02  
10 x 10

K  02

O  01  
GLUE

## TOOLS REQUIRED





# STEP 3


## PARTS REQUIRED

1 - LEFT SIDE PANEL x1

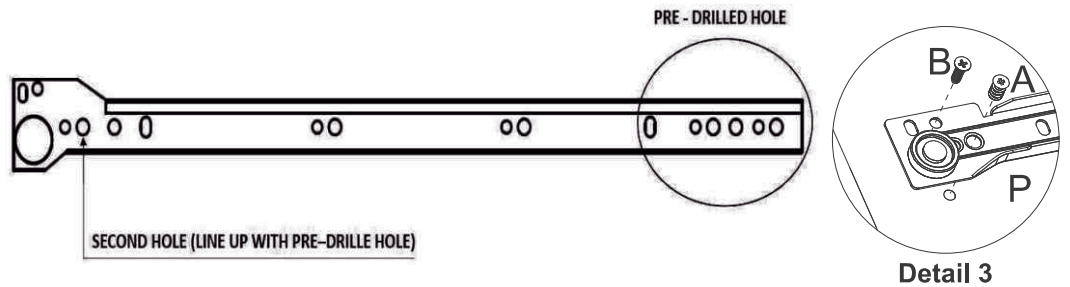
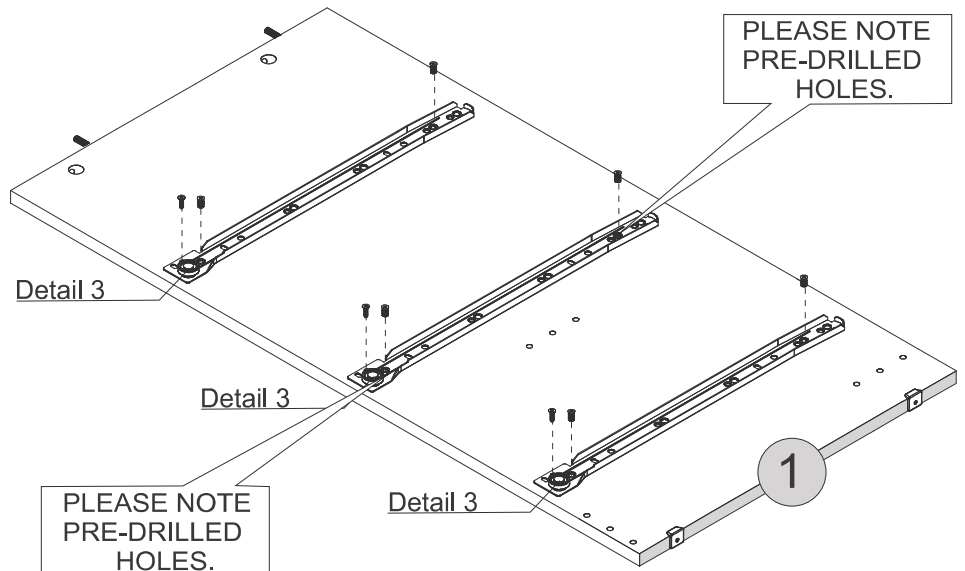
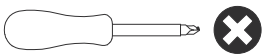
## HARDWARE REQUIRED

A  06  
Ø6,0 x 10mm

B  03  
Ø4,0 x 14mm

P  03  
LEFT

## TOOLS REQUIRED





# STEP 4

## PARTS REQUIRED

2 - RIGHT SIDE PANEL x1

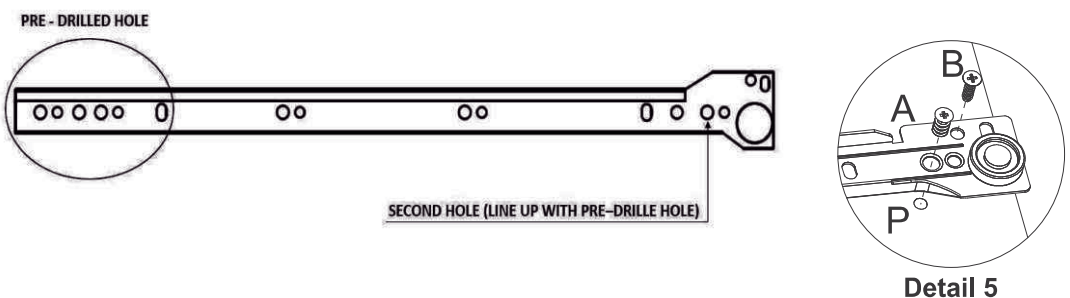
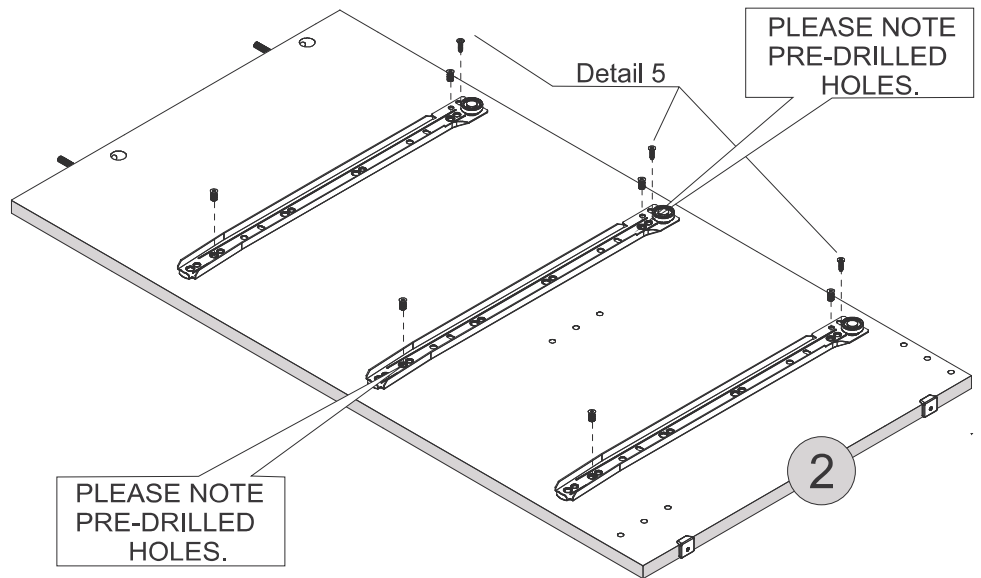
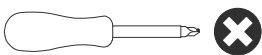
## HARDWARE REQUIRED

A  06  
Ø6,0 x 10mm

B  03  
Ø4,0 x 14mm

P  03  
RIGHT

## TOOLS REQUIRED







# STEP 5

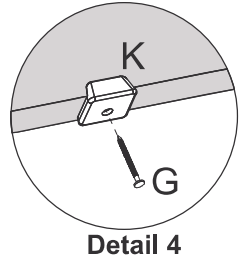
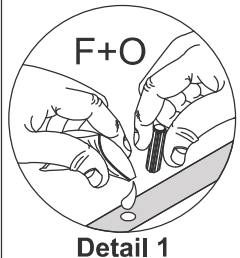
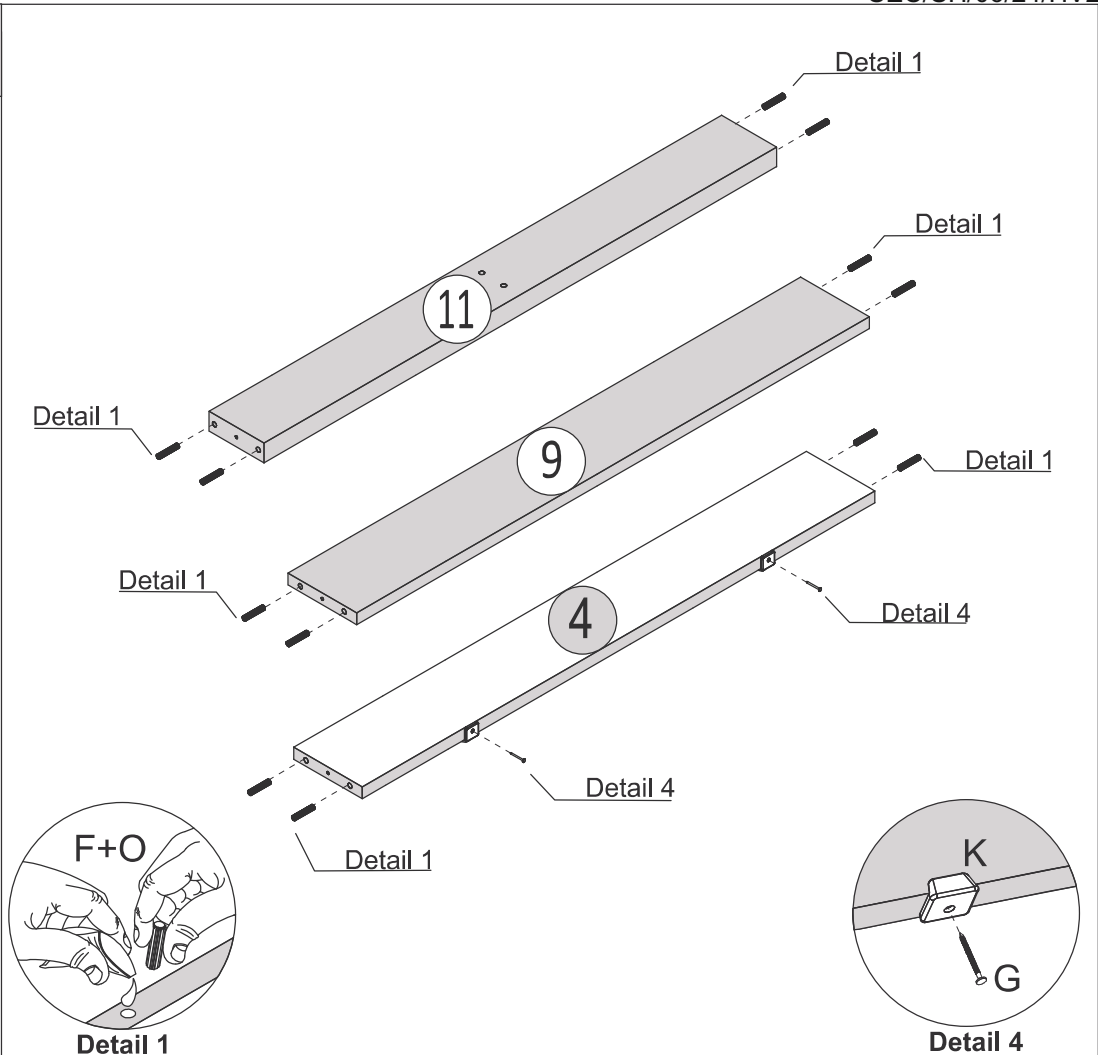
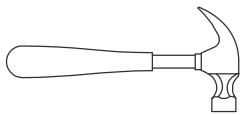
## PARTS REQUIRED

- 4 - FRONT BASEBOARD x1
- 9 - BACK BASEBOARD x1
- 11 - CROSSBAR x1

## HARDWARE REQUIRED

- F  12  
Ø6,0 x 30mm
- G  02  
10 x 10
- K  02
- O  01  
GLUE

## TOOLS REQUIRED




# STEP 6

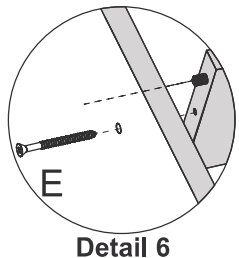
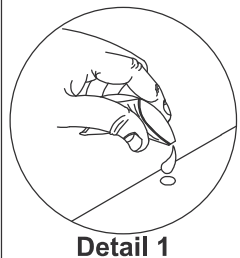
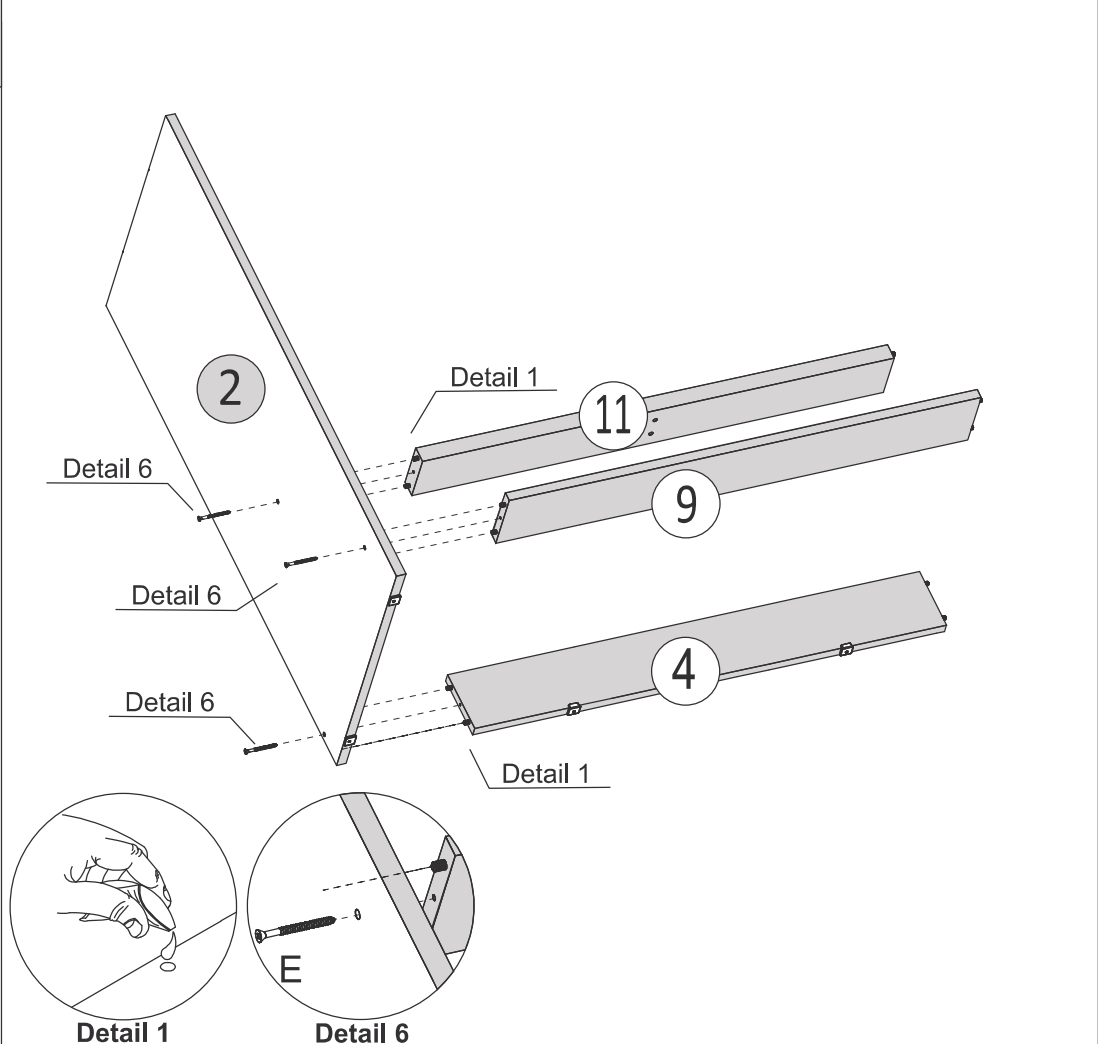
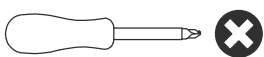
## PARTS REQUIRED

- 2 - RIGHT SIDE PANEL x1
- 4 - FRONT BASEBOARD x1
- 9 - BACK BASEBOARD x1
- 11 - CROSSBAR x1

## HARDWARE REQUIRED

- E  03  
Ø4,0 x 50mm
- O  01  
GLUE

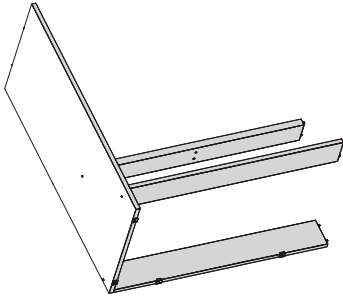
## TOOLS REQUIRED




# STEP 7

## PARTS REQUIRED

1 - LEFT SIDE PANEL x1

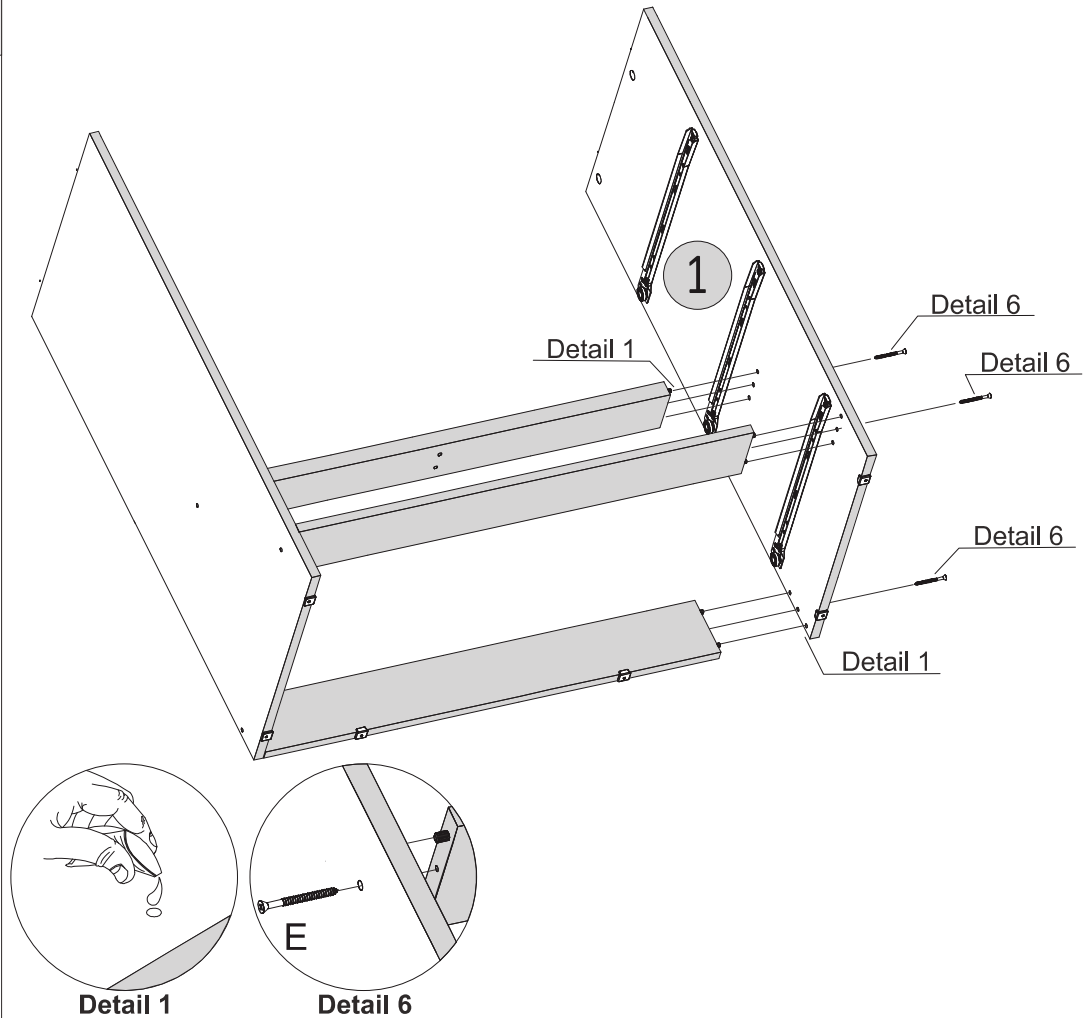
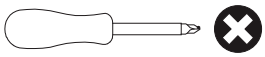


## HARDWARE REQUIRED

E  03  
Ø4,0 x 50mm

O  01  
GLUE

## TOOLS REQUIRED

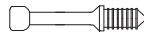


# STEP 8

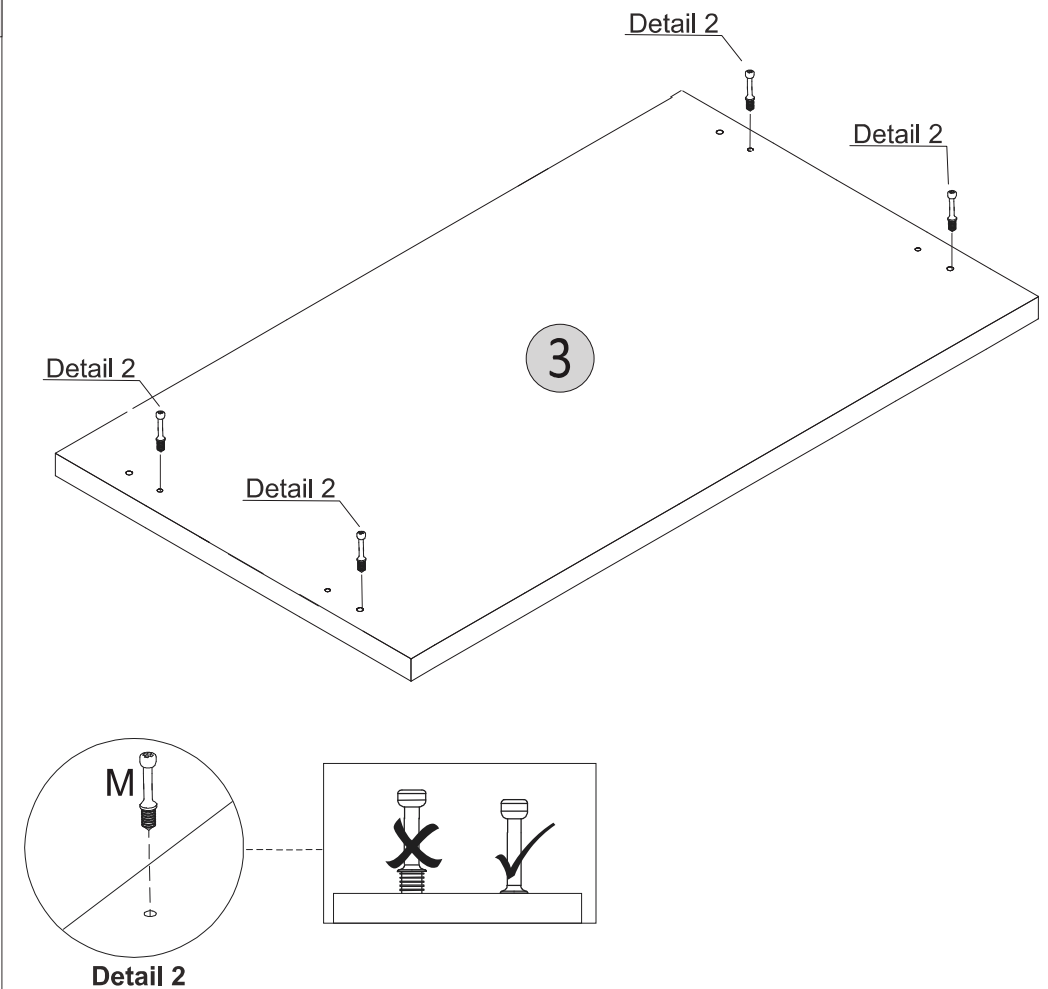
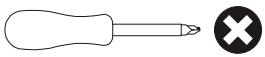
## PARTS REQUIRED

3 - TOP PANEL x1

## HARDWARE REQUIRED

M  04

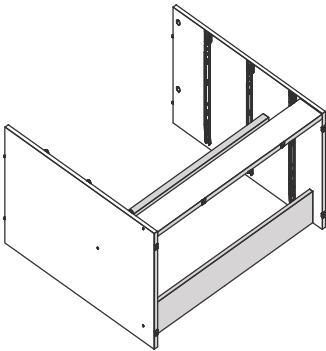
## TOOLS REQUIRED



# STEP 9

## PARTS REQUIRED

3 - TOP PANEL x1

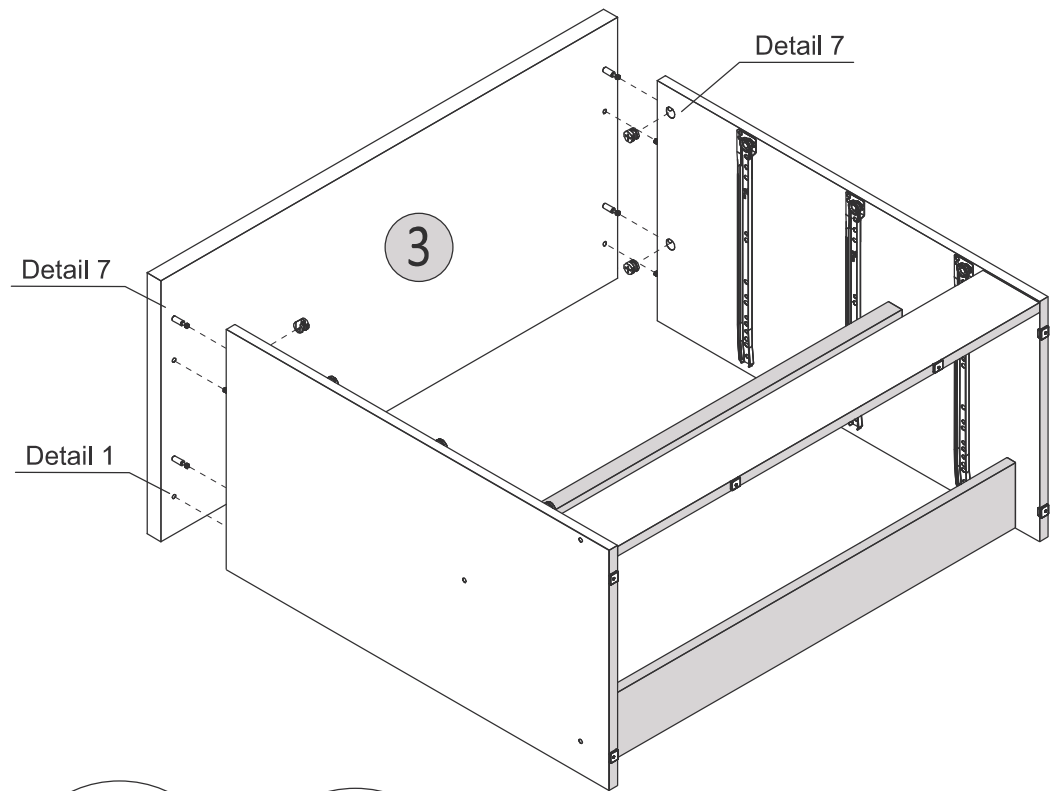
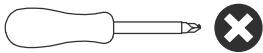


## HARDWARE REQUIRED

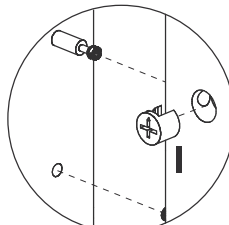
I  04

K  GLUE 01

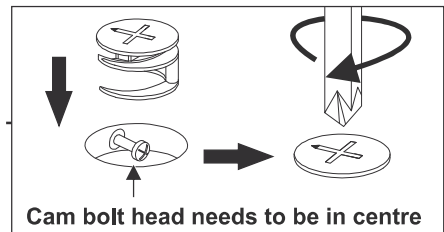
## TOOLS REQUIRED



Detail 1



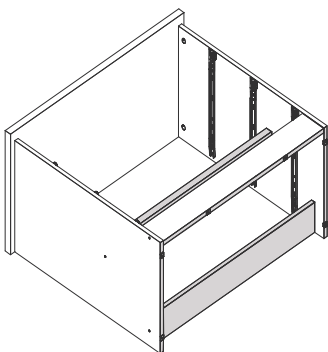
Detail 7



# STEP 10

## PARTS REQUIRED

10 - BACK PANEL x2

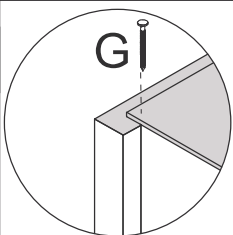
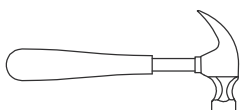


## HARDWARE REQUIRED

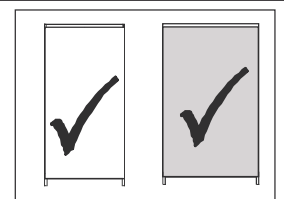
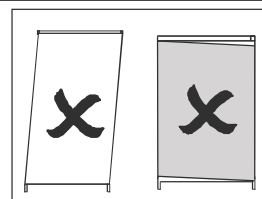
G  20

Q  01

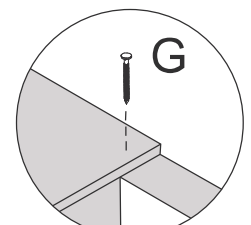
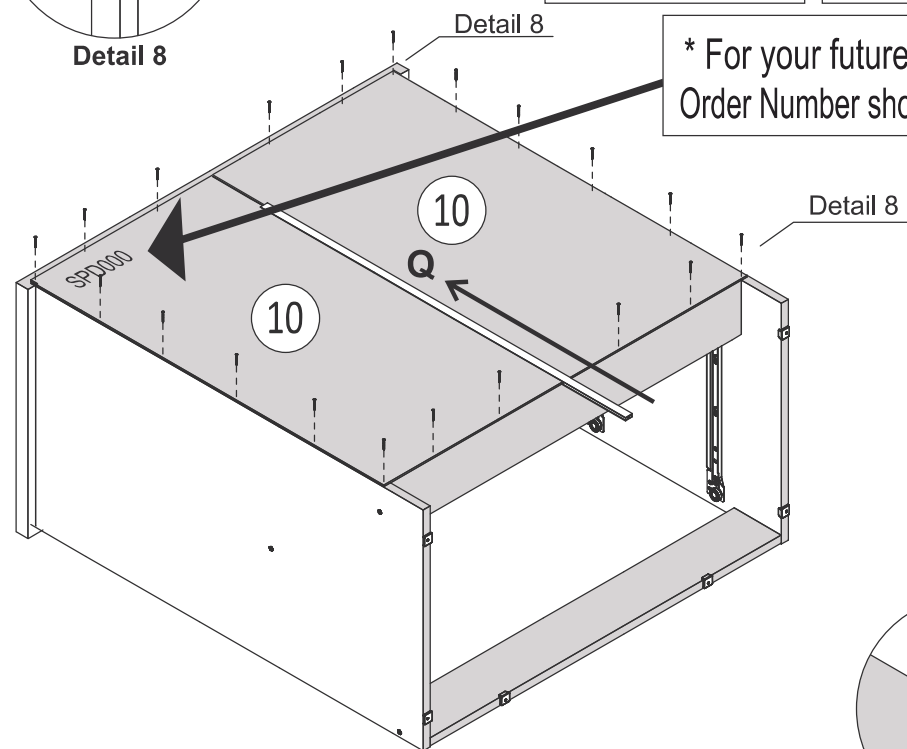
## TOOLS REQUIRED



Detail 8



\* For your future reference  
Order Number should be here



Detail 8



# STEP 11


## PARTS REQUIRED

6 - DRAWER SIDE x6

7 - DRAWER BACK PANEL x3

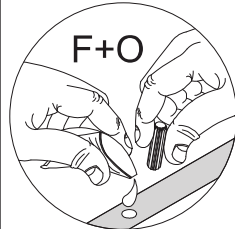
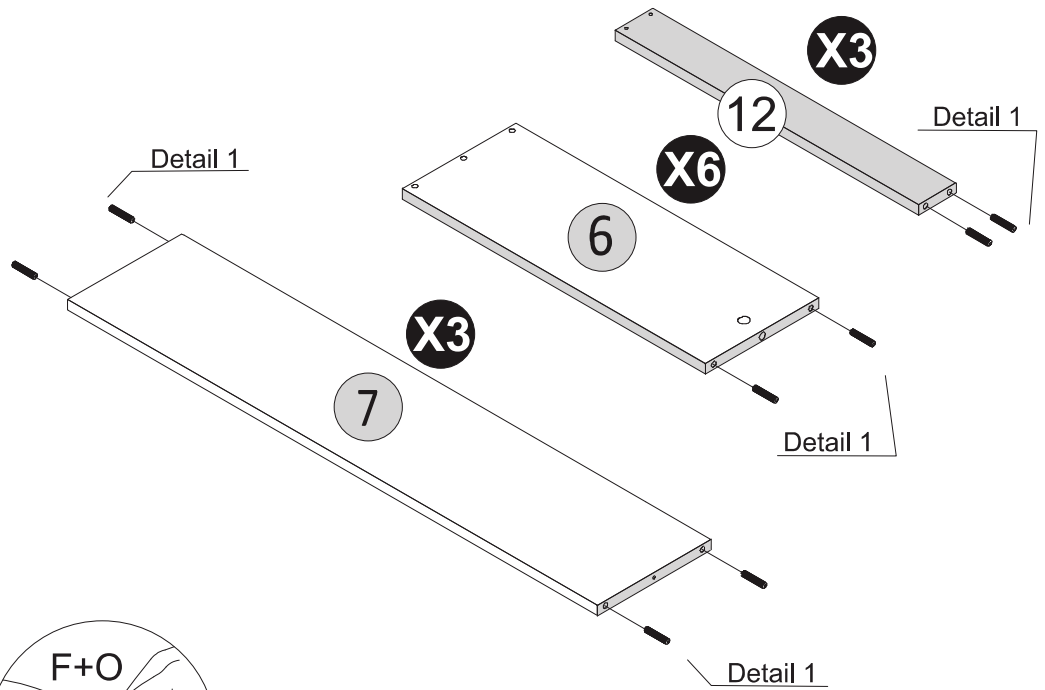
12 - DRAWER BOTTOM SUPPORT BAR x3

## HARDWARE REQUIRED

F  30  
Ø6,0 x 30mm

O  01  
GLUE

## TOOLS REQUIRED



Detail 1

# STEP 12

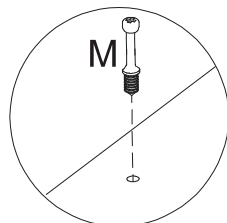
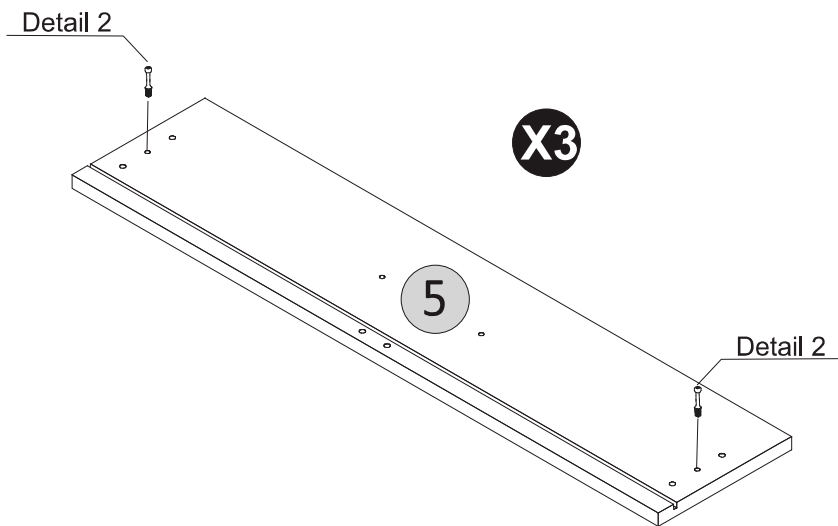
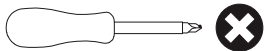
## PARTS REQUIRED

5 - DRAWER FRONT x3

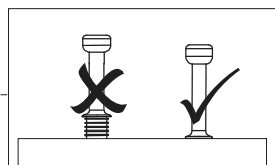
## HARDWARE REQUIRED

M  06

## TOOLS REQUIRED



Detail 2



# STEP 13

## PARTS REQUIRED

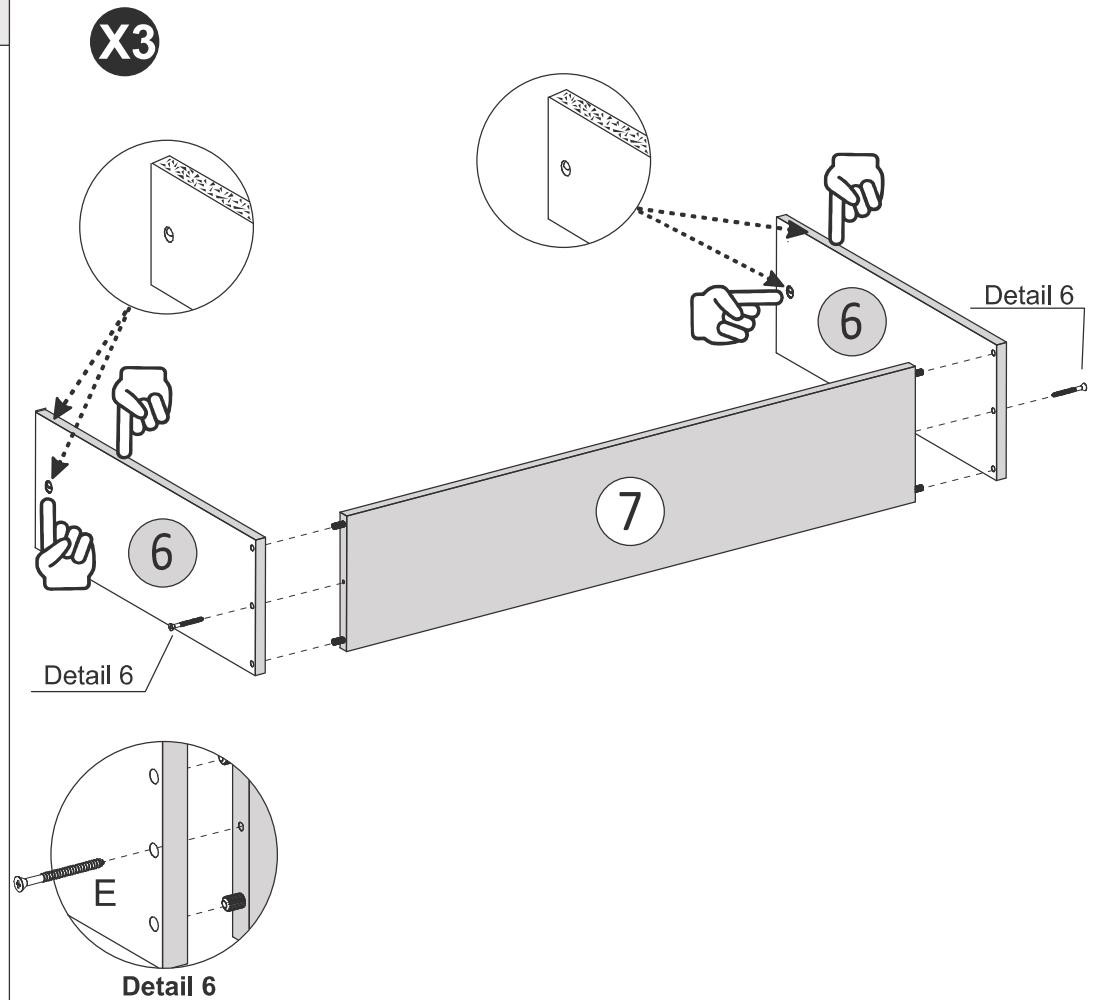
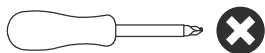
6 - DRAWER SIDE x6

7 - DRAWER BACK PANEL x3

## HARDWARE REQUIRED

E  06  
Ø4,0 x 50mm

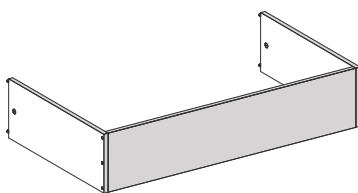
## TOOLS REQUIRED



# STEP 14

## PARTS REQUIRED

5 - DRAWER FRONT x3

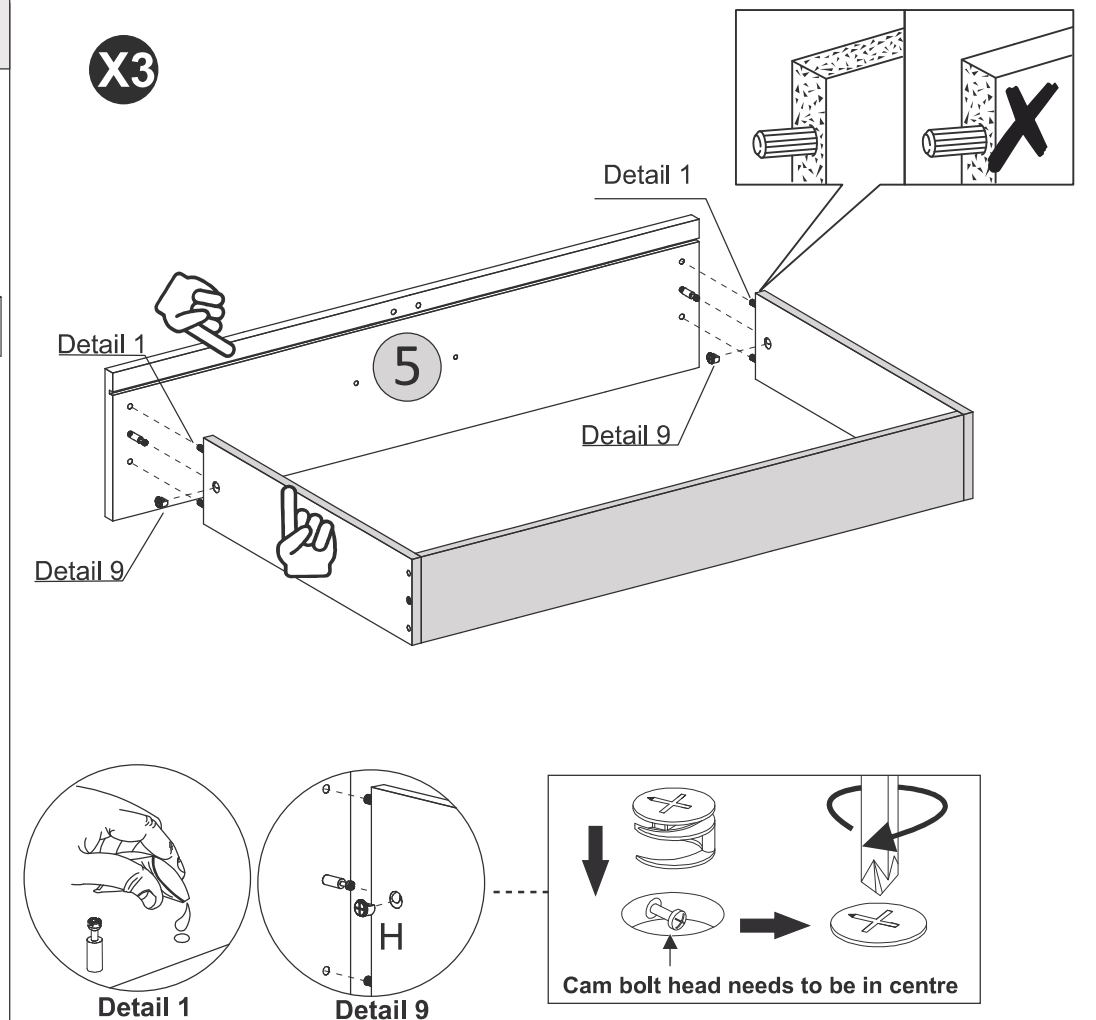


## HARDWARE REQUIRED

H  06

K  01

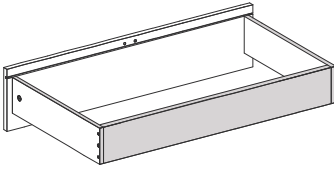
## TOOLS REQUIRED



# STEP 15

## PARTS REQUIRED

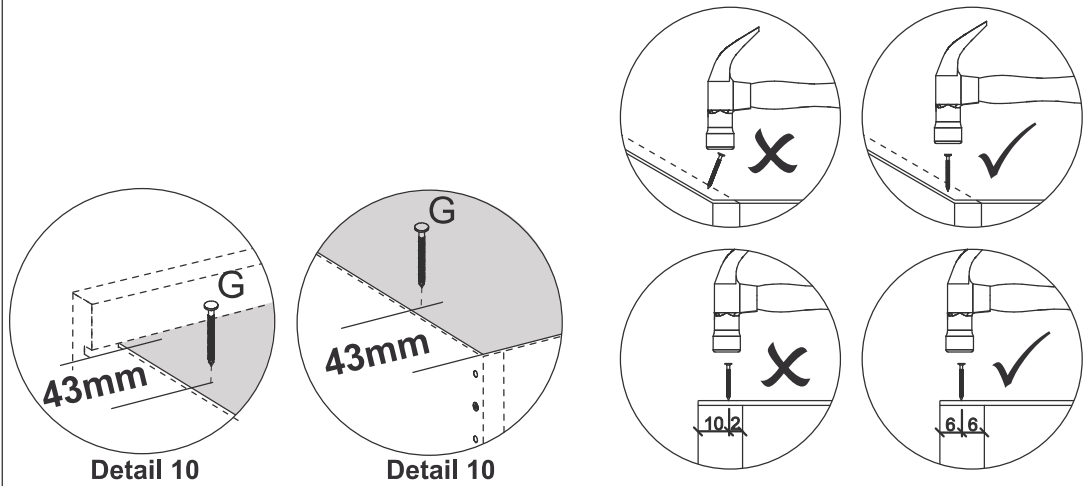
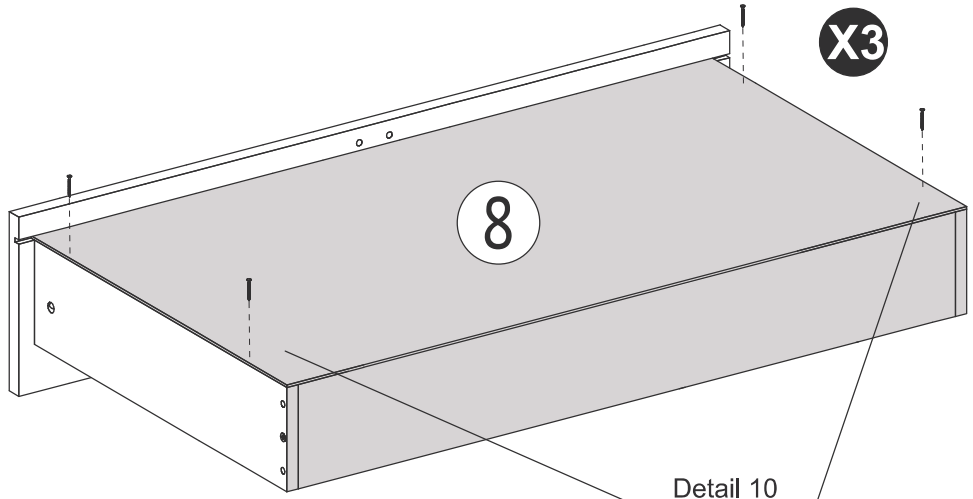
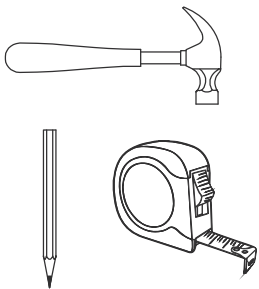
8 - DRAWER BOTTOM x3



## HARDWARE REQUIRED

G 10 x 10 12

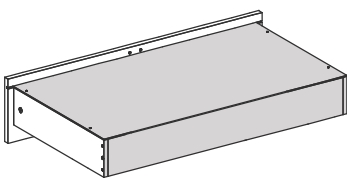
## TOOLS REQUIRED



# STEP 16

## PARTS REQUIRED

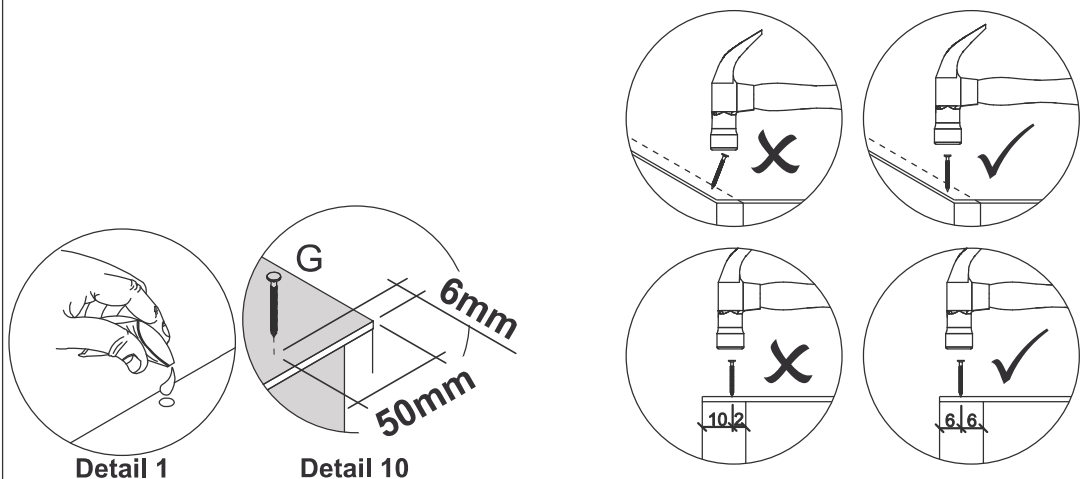
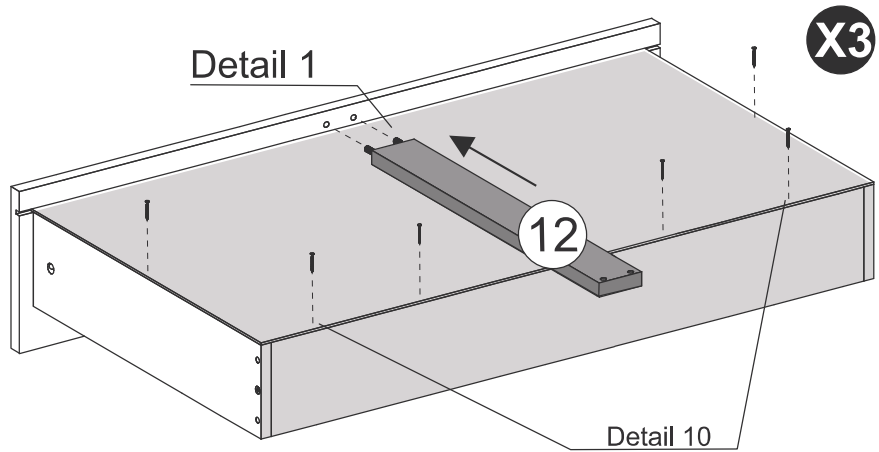
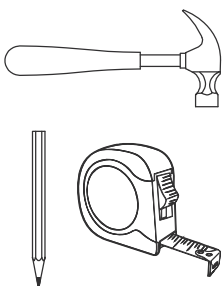
12 - DRAWER BOTTOM SUPPORT BAR X3



## HARDWARE REQUIRED

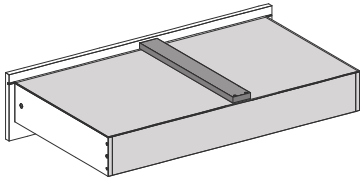
G 10 x 10 18

## TOOLS REQUIRED

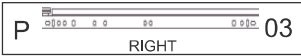
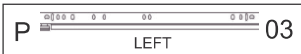
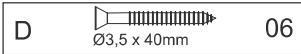
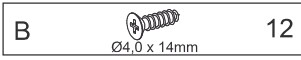


# STEP 17

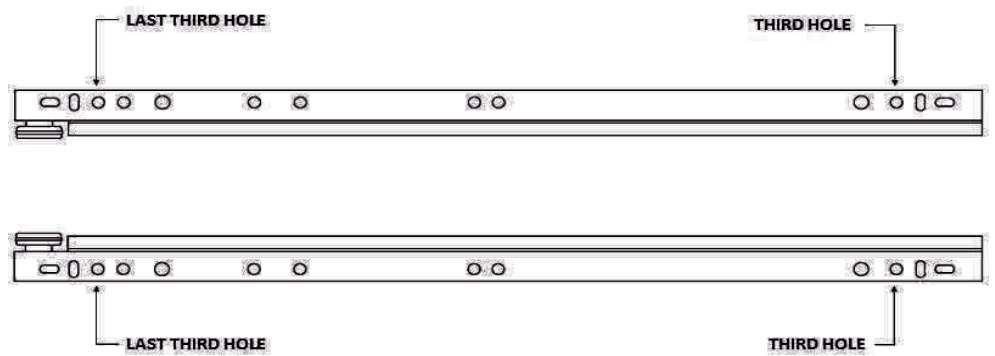
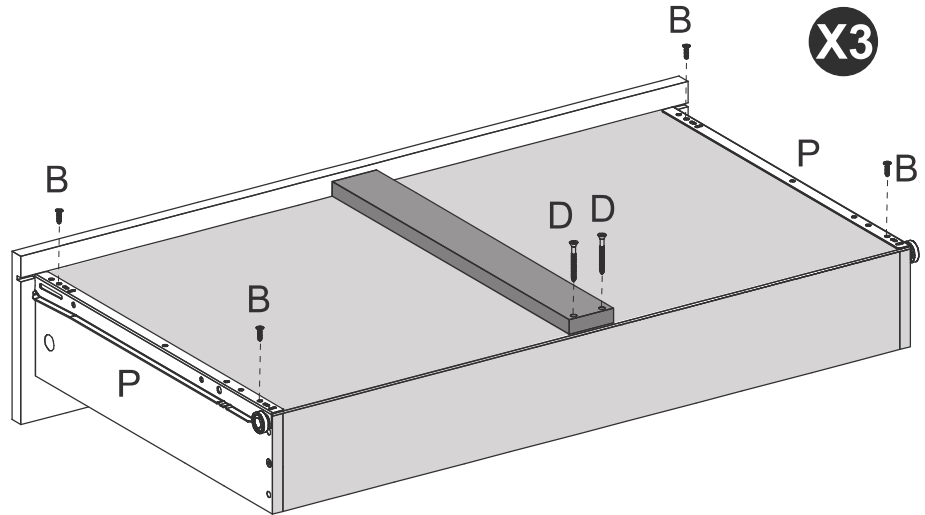
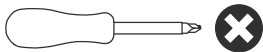
## PARTS REQUIRED



## HARDWARE REQUIRED

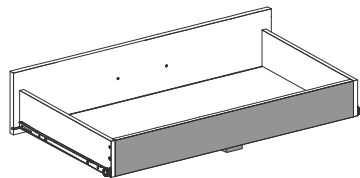


## TOOLS REQUIRED

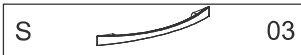
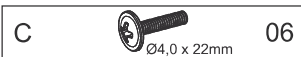


# STEP 18

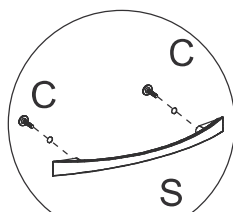
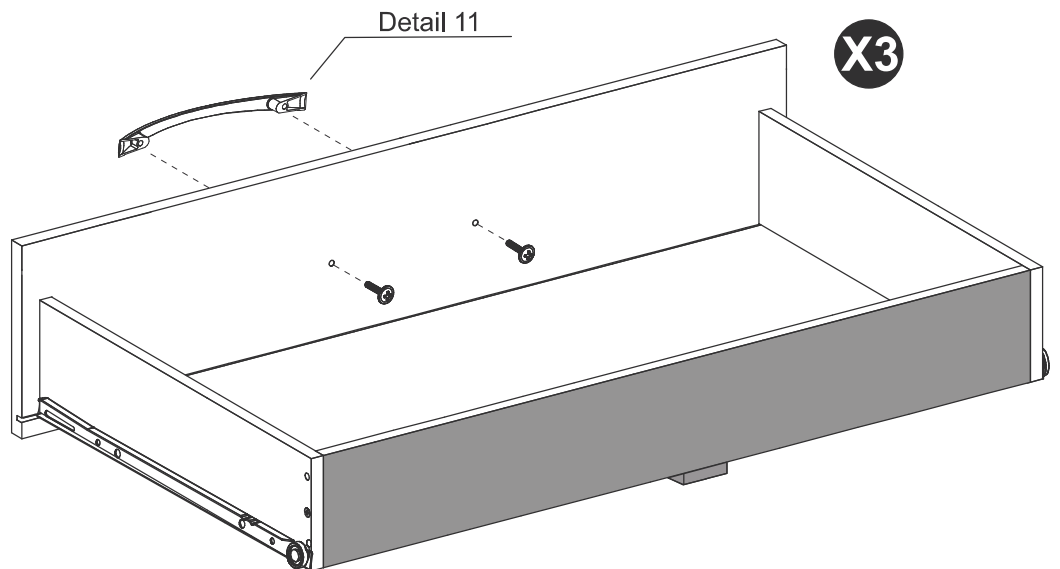
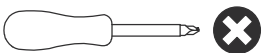
## PARTS REQUIRED



## HARDWARE REQUIRED



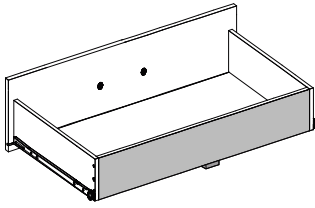
## TOOLS REQUIRED



Detail 11

# STEP 19

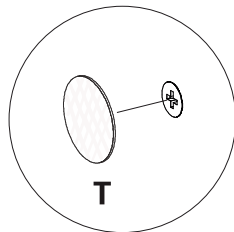
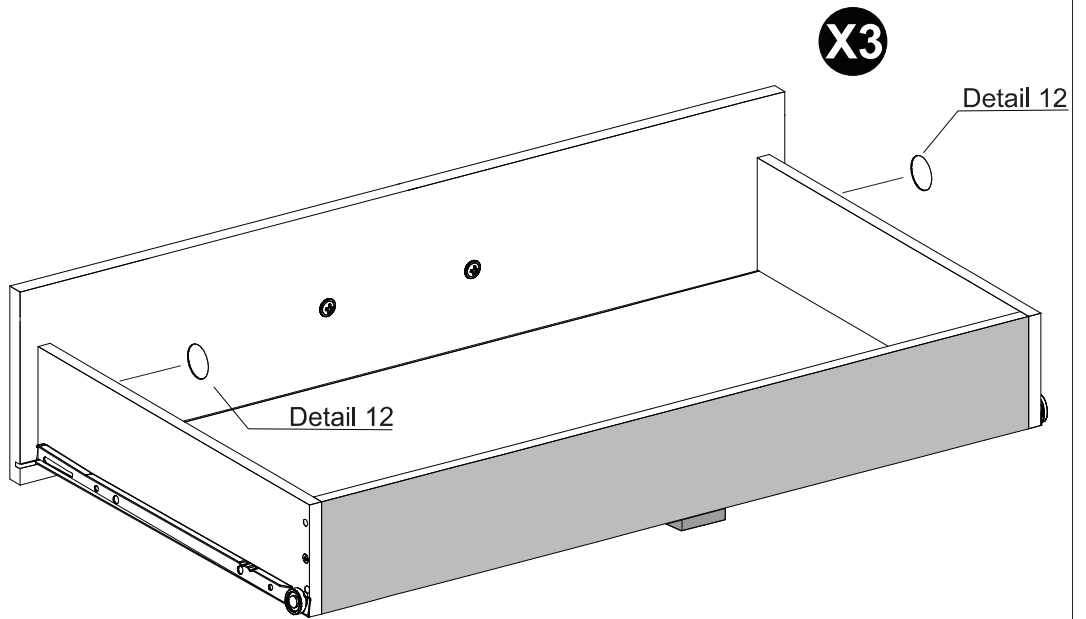
**PARTS REQUIRED**



**HARDWARE REQUIRED**



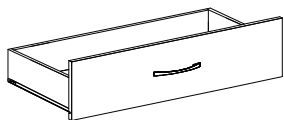
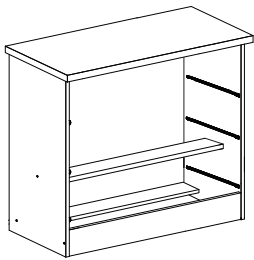
**TOOLS REQUIRED**



**Detail 12**

# STEP 20

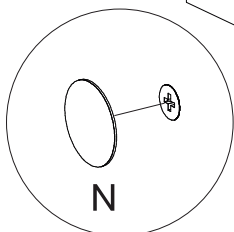
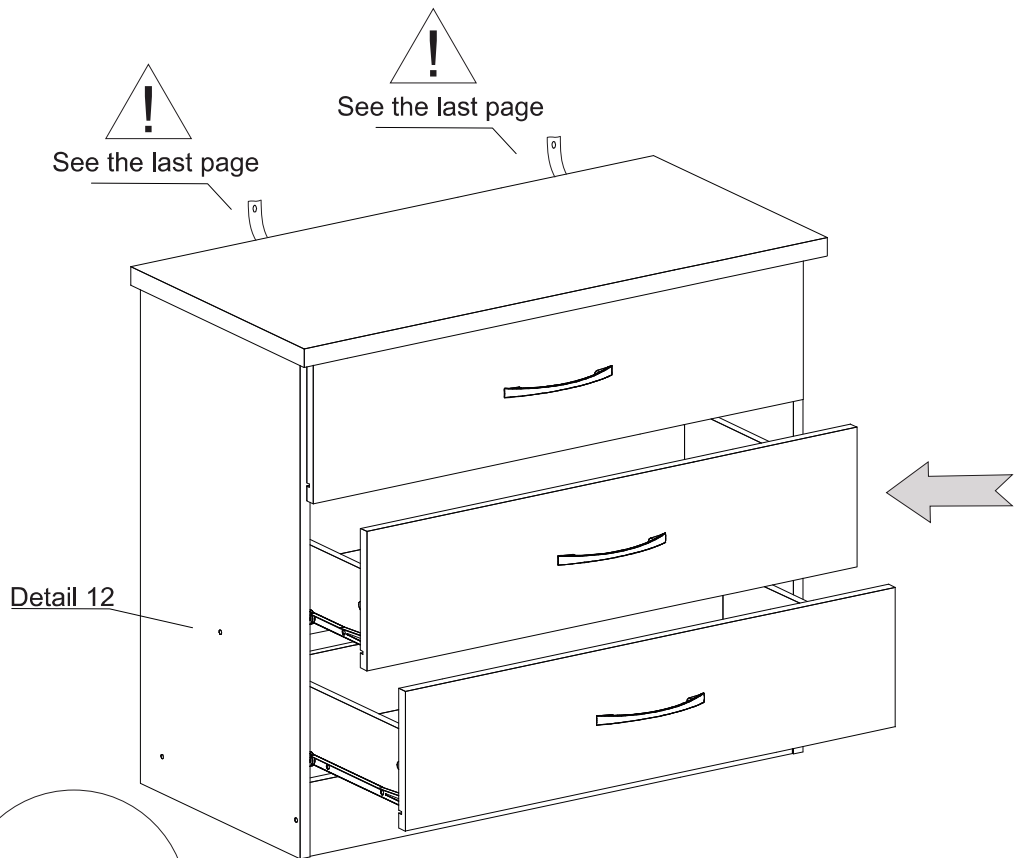
**PARTS REQUIRED**



**HARDWARE REQUIRED**



**TOOLS REQUIRED**



**Detail 12**

## WARNING

**Serious or fatal injuries can occur from furniture tipping over. To prevent the furniture from tipping over we recommend that it is permanently fixed to the wall.**

Wall fixings are not supplied with this product as different wall materials require different types of fixing devices.

Please make sure you use fixings suitable for the walls in your home.

