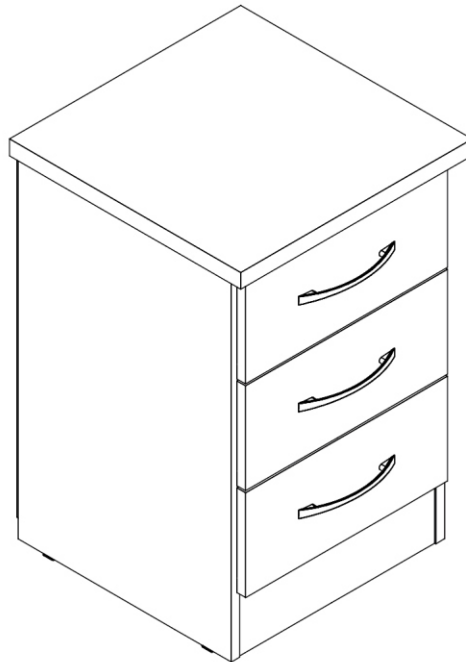


# NEVADA 3 DRAWER BEDSIDE ASSEMBLY INSTRUCTIONS



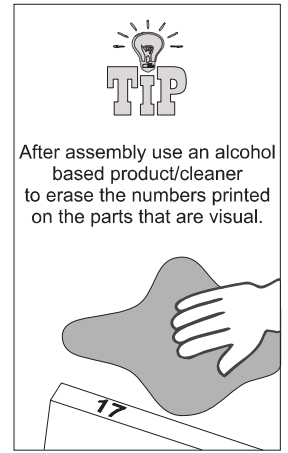
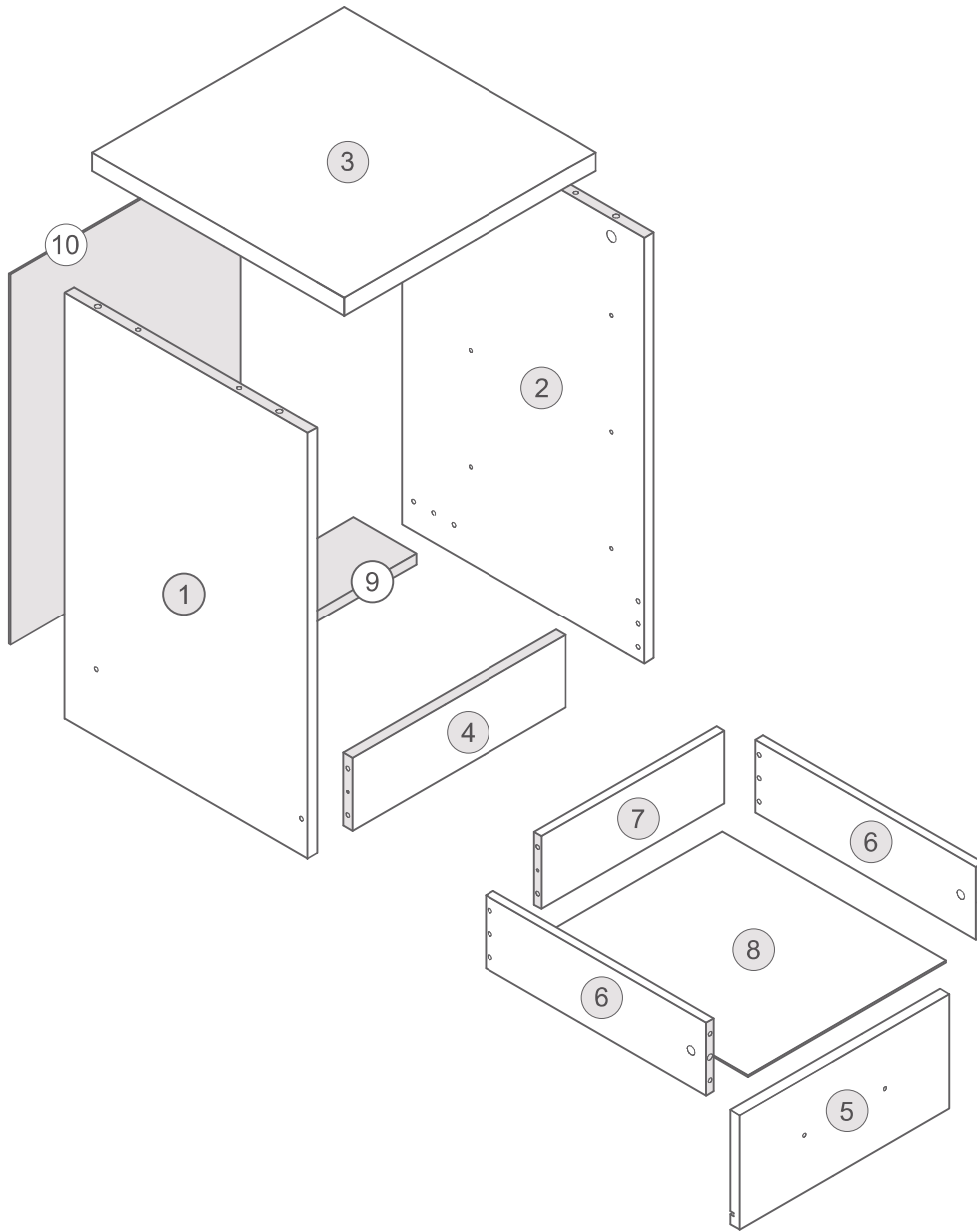
## IMPORTANT FOR DOMESTIC USE ONLY

PLEASE READ BEFORE YOU CONTINUE FURTHER

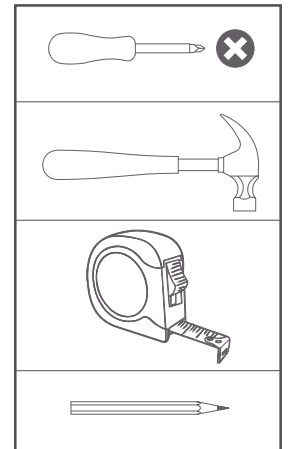
## CARE AND MAINTENANCE

After unpacking this product please keep the original packaging in case it needs to be returned for any reason.

- Please ensure all fittings and parts are present before commencing with assembly.
- Never drag or push products as this could cause damage to the joints making it inferior.
- We strongly recommend that you keep children away from your work area.
- We recommend that you lay a blanket or sheet on the floor to avoid damage to both your floor and the product.
- Assemble this product as close to its final position as possible.
- Do not place this product next to a radiator or in direct sunlight.
- Do not drag or push items across your high gloss furniture as this may cause the surface to scratch
- Wood is a natural product and may expand if subjected to damp and may shrink or crack if subjected to heat. Therefore it is recommended that room temperature is maintained, with no sudden temperature fluctuations.
- Make sure any spillage is wiped off immediately.
- Do not place hot or chilled items directly on to the surface, use a place mat or marking will occur.
- For general cleaning use a soft cotton or micro fibre cloth, and do not use detergents of any kind.
- From time to time it may be necessary to tighten fittings, regular inspections should be carried out.
- Do not place on a wet or damp floor as staining may occur to your floor.



**TOOLS REQUIRED**


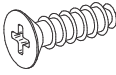
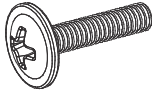

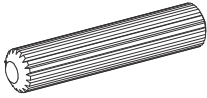

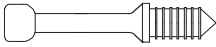
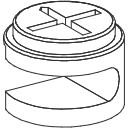




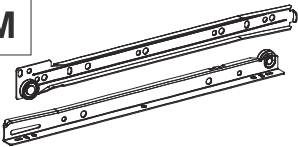
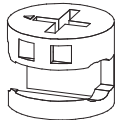






**PARTS LIST**

***Please Note:***  
The below parts have all been stamped with the part number to help identify them during assembly.

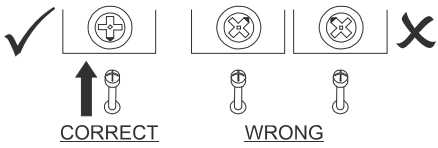
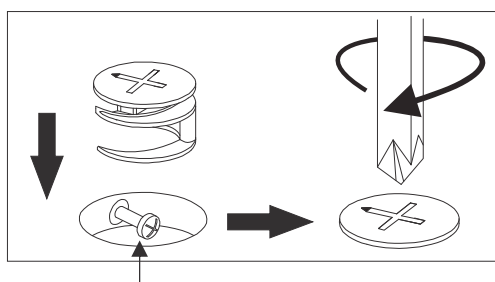
<b>Part Number</b>	<b>Part Description</b>	<b>Quantity</b>	<b>Carton</b>
01	Left Side Panel	1	1/1
02	Right Side Panel	1	1/1
03	Top Panel	1	1/1
04	Front Baseboard	1	1/1
05	Drawer Front	3	1/1
06	Drawer Side	6	1/1
07	Drawer Back Panel	3	1/1
08	Drawer Bottom	3	1/1
09	Back Baseboard	1	1/1
10	Back Panel	1	1/1

### FITTINGS LIST

<p><b>A</b></p>  <p>Flat Head Screw 2/+ Ø6,0 x 10mm (12x)</p>	<p><b>B</b></p>  <p>Flat Head Screw 2/+ Ø4,0 x 14mm (18x)</p>	<p><b>C</b></p>  <p>Flan Head Screw Ø4,0 x 20mm (6x)</p>	<p><b>D</b></p>  <p>Flat Head Screw 1/+ Ø4,0 x 50mm (10x)</p>
<p><b>E</b></p>  <p>2/+ Dowel Ø6,0 x 30mm (36x)</p>	<p><b>F</b></p>  <p>2/+ Nail 10x10 Ringed-1,5x23mm (42x)</p>	<p><b>G</b></p>  <p>2/+ Cam Bolt (10x)</p>	<p><b>H</b></p>  <p>1/+ Cam Nut Ø12x8 8mm (6x)</p>
<p><b>I</b></p>  <p>1/+ Plastic Foot L 19x17x8mm Ø2 (4x)</p>	<p><b>J</b></p>  <p>2/+ Hole Plugs 19mm (4x)</p>	<p><b>K</b></p>  <p>Glue 10 Gr(2x)</p>	<p><b>L</b></p>  <p>Handle (3x)</p>
<p><b>M</b></p>  <p>Drawer Runners 350mm (3x)</p>	<p><b>N</b></p>  <p>1/+ Cam Nut Ø14,9x11 mm (4x)</p>	<p><b>O</b></p>  <p>Flan Head Screw 1/+ Ø3,5 x 30mm (1x)</p>	<p><b>P</b></p>  <p>Strap 200x20x1MM (1x)</p>
<p><b>Q</b></p>  <p>1/+ Washer Ø16x7 (2x)</p>	<p><b>R</b></p>  <p>+2 Hole Plugs Líneo 19mm (6x)</p>		

### TIPS FOR FITTINGS CAM-LOCKS

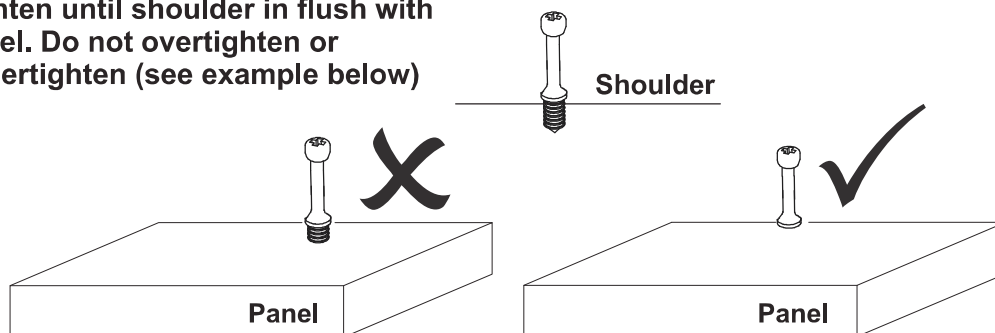
WHEN FITTING CAM NUT. ENSURE STARTING POSITION IS CORRECT BEFORE YOU INSERT CONNECTING CAM BOLT TURN CLOCKWISE UNTIL SECURE

Cam bolt head needs to be in centre

#### CAMBOLT

Tighten until shoulder in flush with panel. Do not overtighten or undertighten (see example below)



Shoulder


Panel


# STEP 1


## PARTS REQUIRED

1 - LEFT SIDE PANEL x1

## HARDWARE REQUIRED

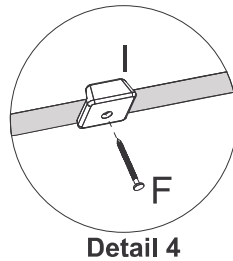
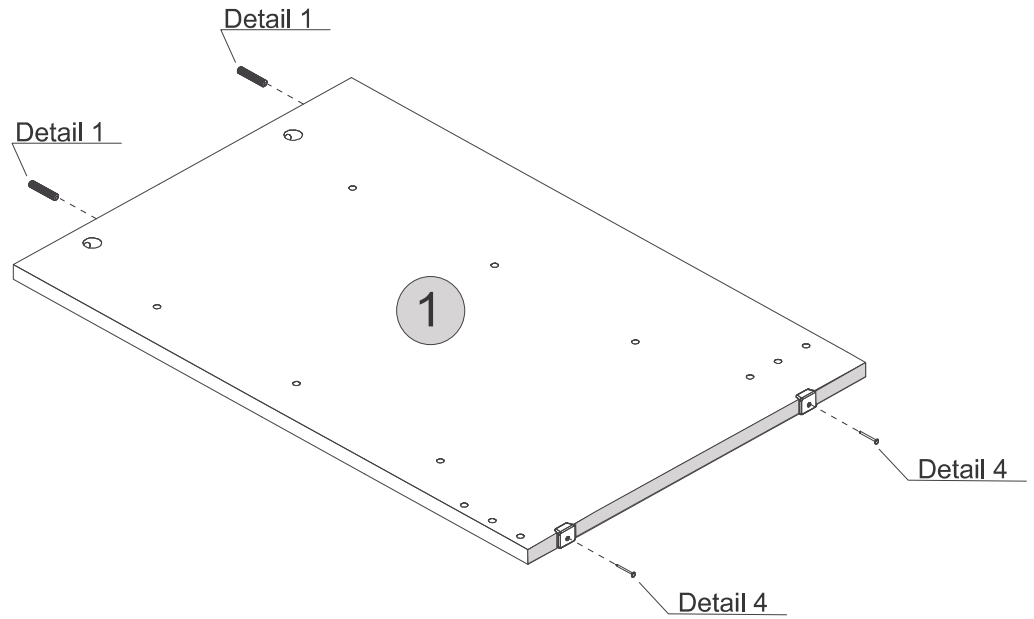
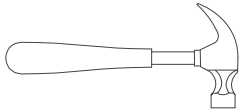
E  02  
Ø6,0 x 30mm

F  02  
10 x 10

I  02

K  01  
GLUE

## TOOLS REQUIRED




# STEP 2

## PARTS REQUIRED

2 - RIGHT SIDE PANEL x1

## HARDWARE REQUIRED

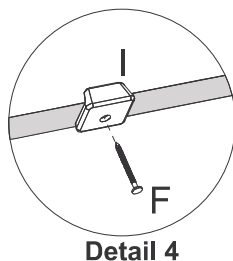
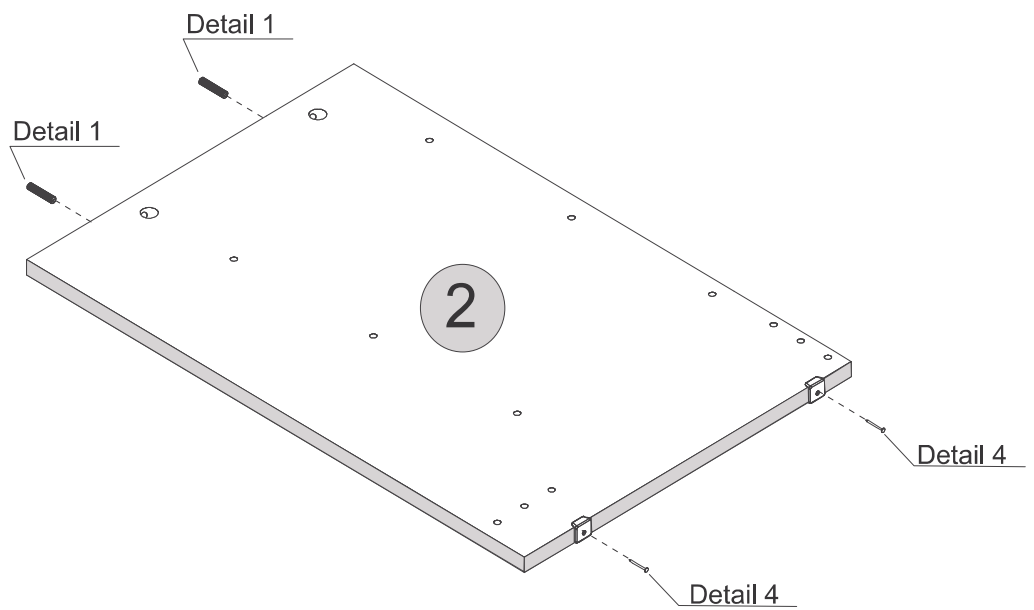
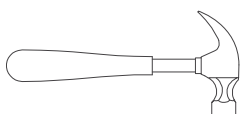
E  02  
Ø6,0 x 30mm

F  02  
10 x 10

I  02

K  01  
GLUE

## TOOLS REQUIRED




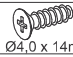
# STEP 3

## PARTS REQUIRED

2 - RIGHT SIDE PANEL x1

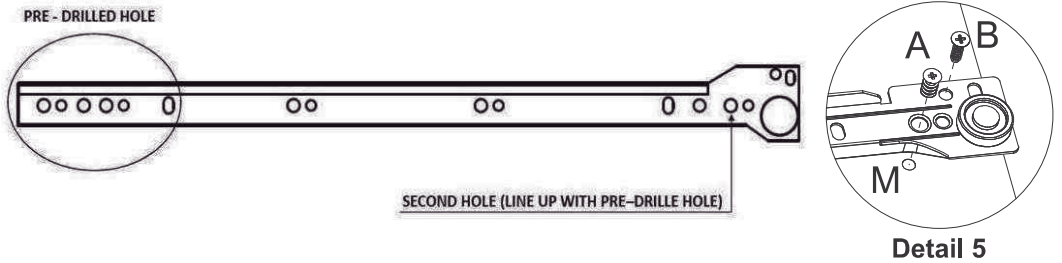
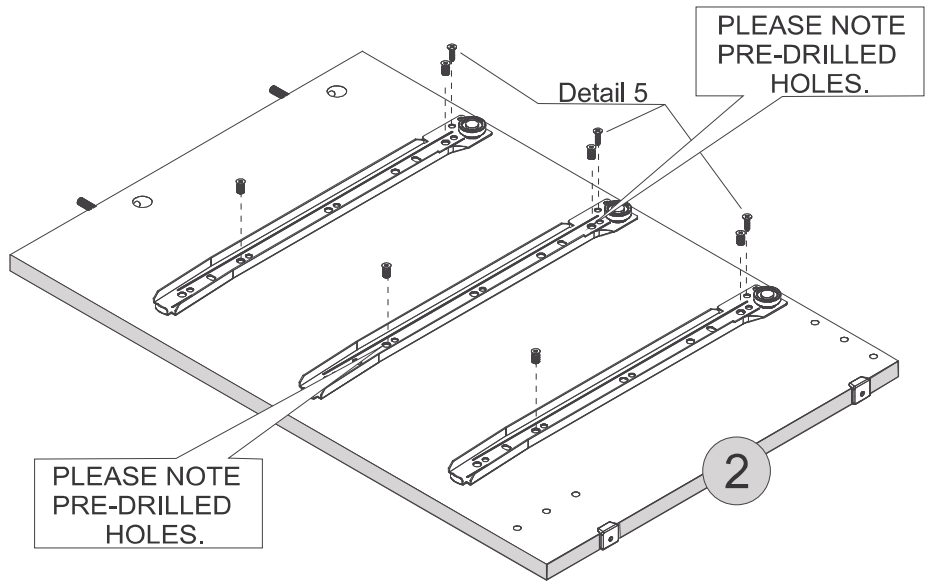
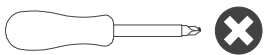
## HARDWARE REQUIRED

A  06  
Ø6.0 x 10mm

B  03  
Ø4.0 x 14mm

M  03  
RIGHT

## TOOLS REQUIRED




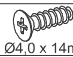
# STEP 4

## PARTS REQUIRED

1 - LEFT SIDE PANEL x1

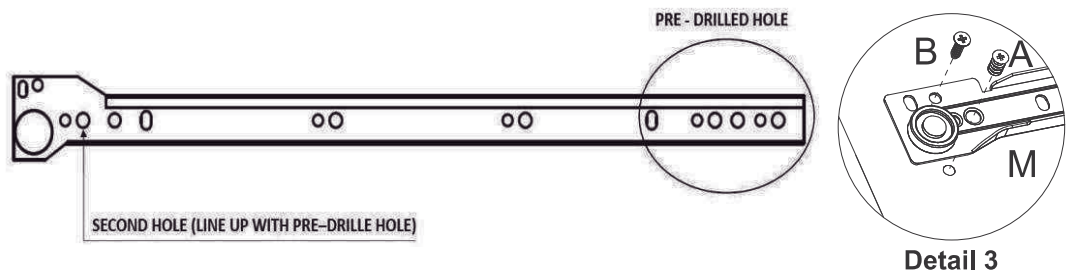
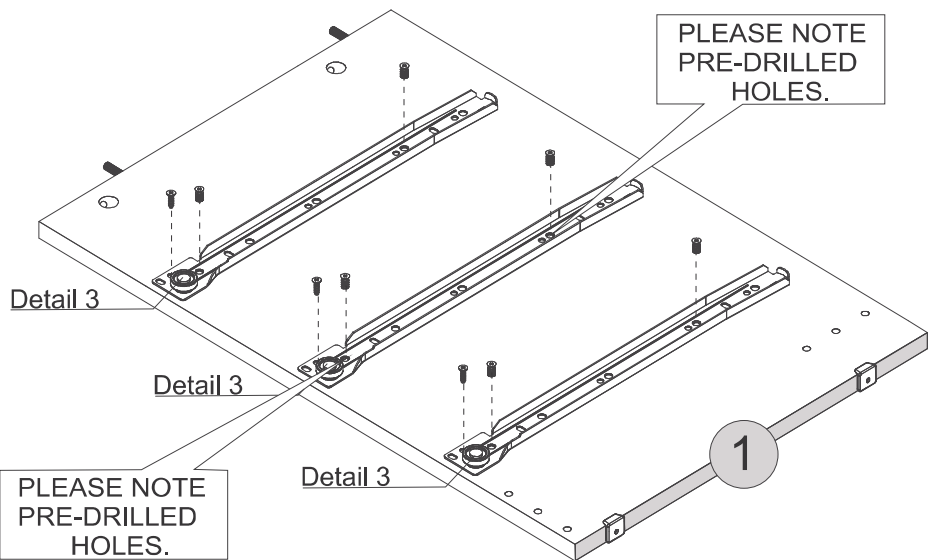
## HARDWARE REQUIRED

A  06  
Ø6.0 x 10mm

B  03  
Ø4.0 x 14mm

M  03  
LEFT

## TOOLS REQUIRED



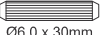
# STEP 5

## PARTS REQUIRED

9 - BACK BASEBOARD x1

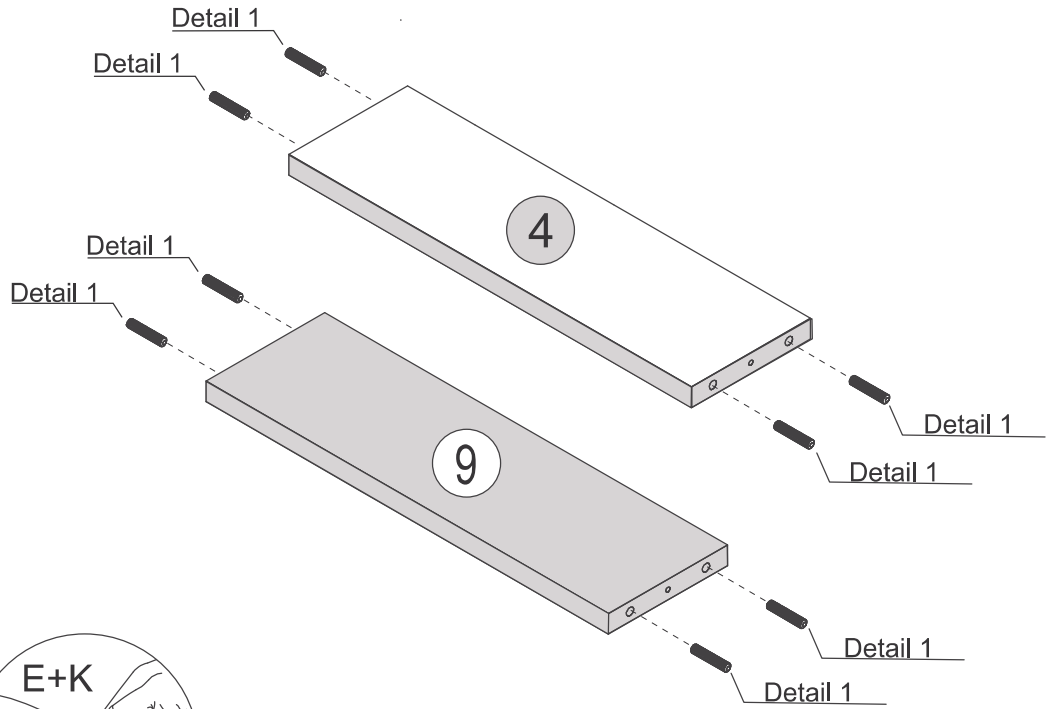
4 - FRONT BASEBOARD x1

## HARDWARE REQUIRED

E  08  
Ø6,0 x 30mm

K  01  
GLUE

## TOOLS REQUIRED



# STEP 6


## PARTS REQUIRED

2 - RIGHT SIDE PANEL x1

9 - BACK BASEBOARD x1

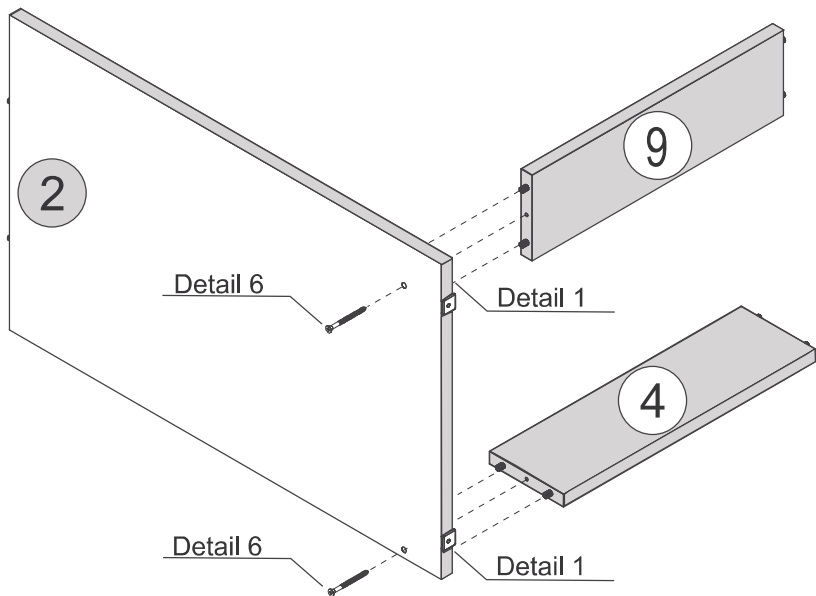
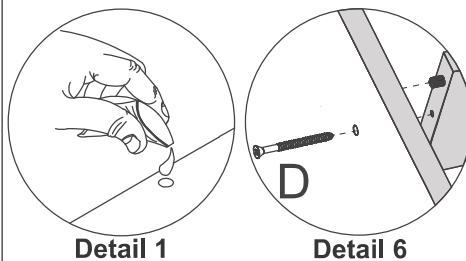
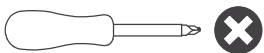
4 - FRONT BASEBOARD x1

## HARDWARE REQUIRED

D  02  
Ø4 x 50mm

K  01  
GLUE

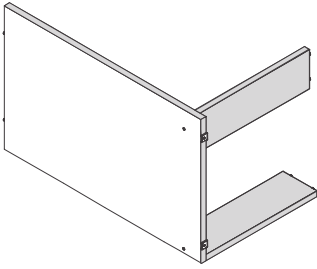
## TOOLS REQUIRED



# STEP 7

## PARTS REQUIRED

1 - LEFT SIDE PANEL x1

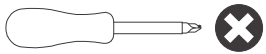


## HARDWARE REQUIRED

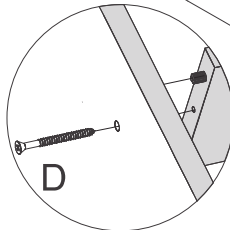
D  02  
Ø4 x 50mm

K  01  
GLUE

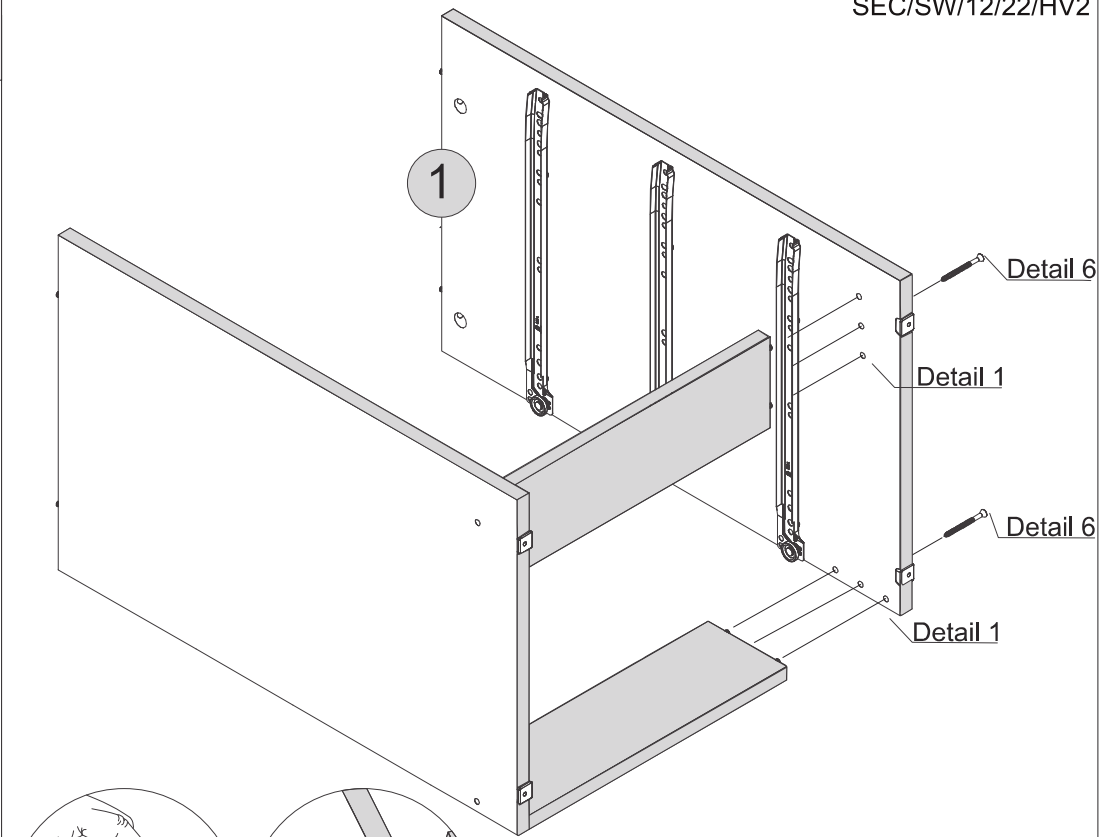
## TOOLS REQUIRED



Detail 1



Detail 6

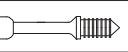


# STEP 8

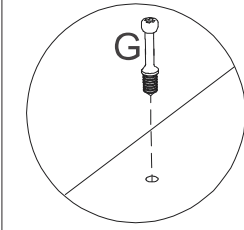
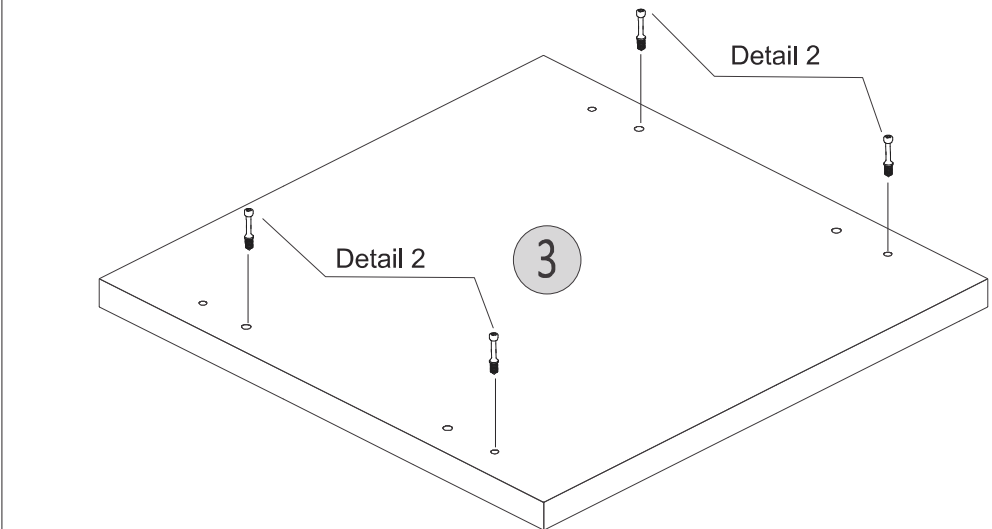
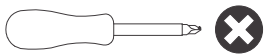
## PARTS REQUIRED

3 - TOP PANEL x1

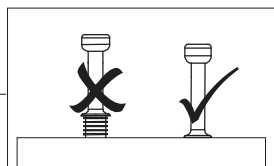
## HARDWARE REQUIRED

G  04

## TOOLS REQUIRED



Detail 2

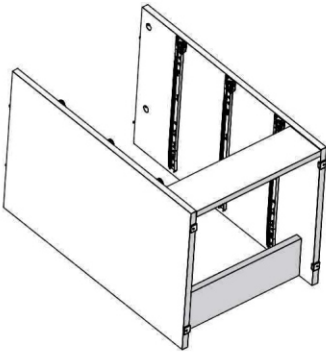




# STEP 9

## PARTS REQUIRED

3 - TOP PANEL x1

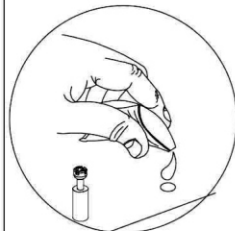
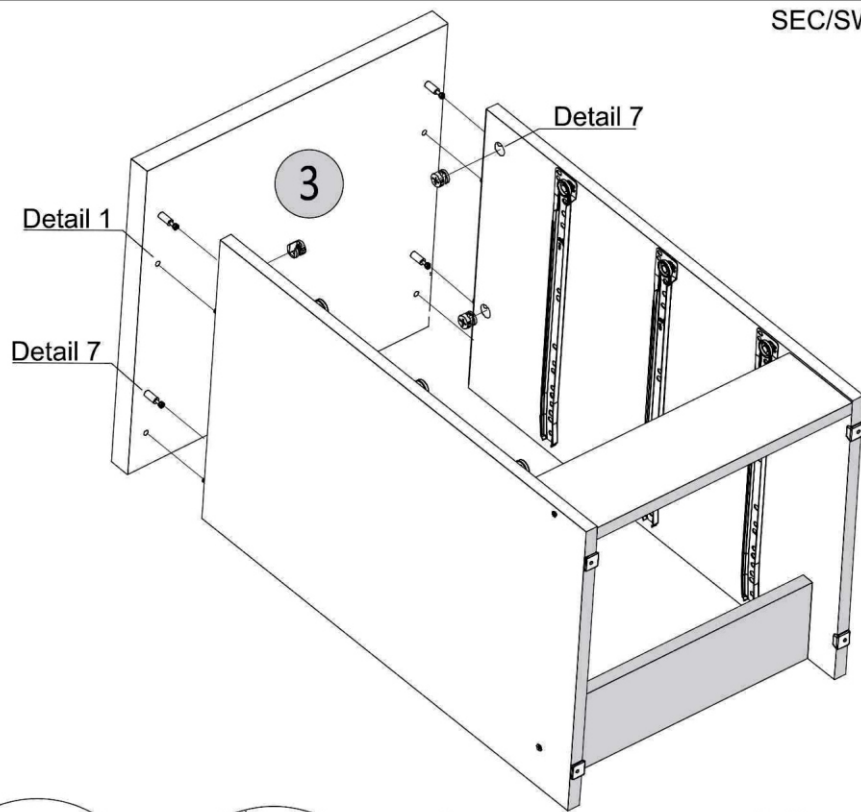
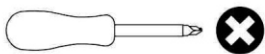


## HARDWARE REQUIRED

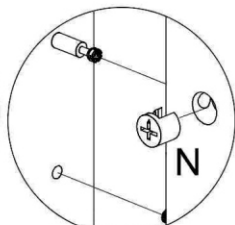
K  01

N  04

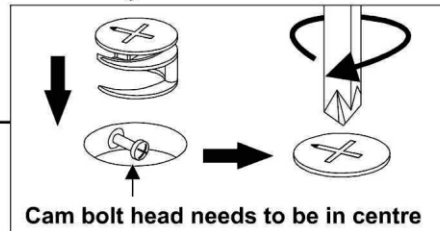
## TOOLS REQUIRED



Detail 1



Detail 7

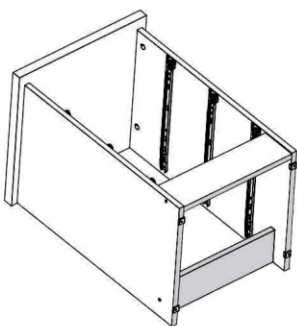


Cam bolt head needs to be in centre

# STEP 10

## PARTS REQUIRED

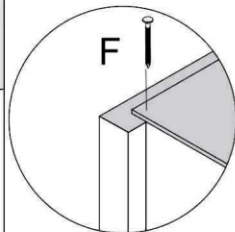
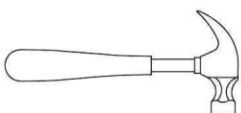
10 - BACK PANEL x1



## HARDWARE REQUIRED

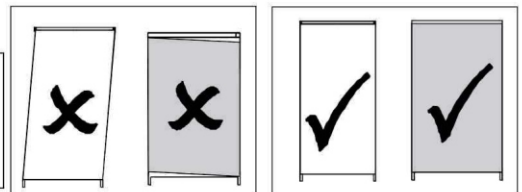
F  14

## TOOLS REQUIRED



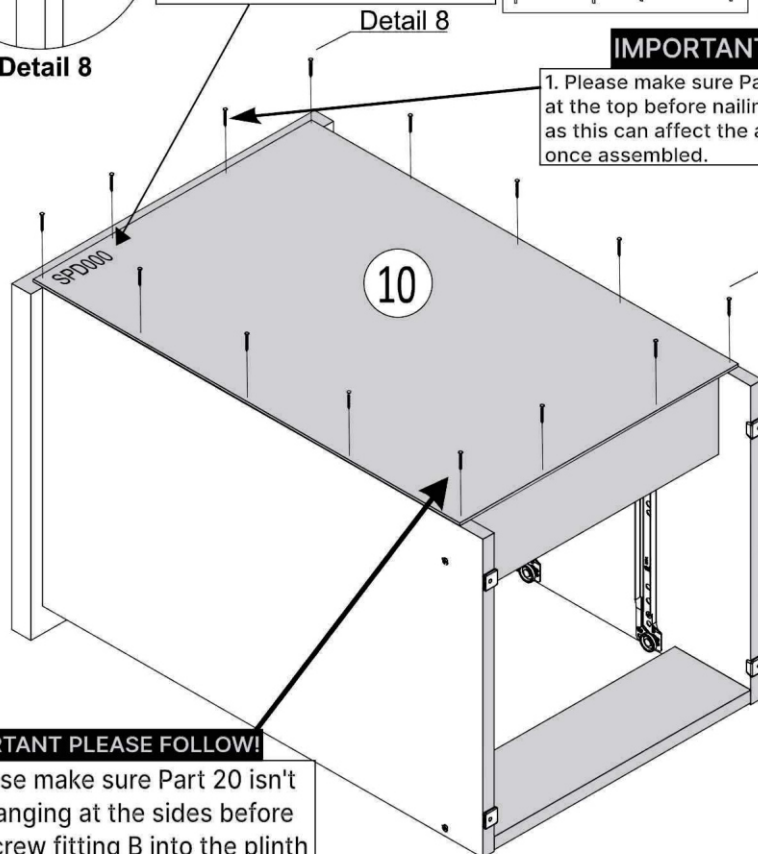
Detail 8

\* For your future reference Order Number should be here

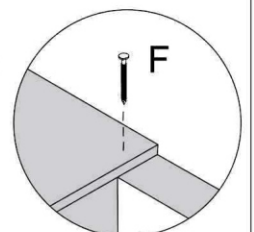


### IMPORTANT PLEASE FOLLOW!

1. Please make sure Part 20 is lined up correctly at the top before nailing fitting H into the panel as this can affect the alignment off the doors once assembled.



**IMPORTANT PLEASE FOLLOW!**  
2. Please make sure Part 20 isn't overhanging at the sides before you screw fitting B into the plinth



Detail 8




# STEP 11

## PARTS REQUIRED

6 - DRAWER SIDE x6

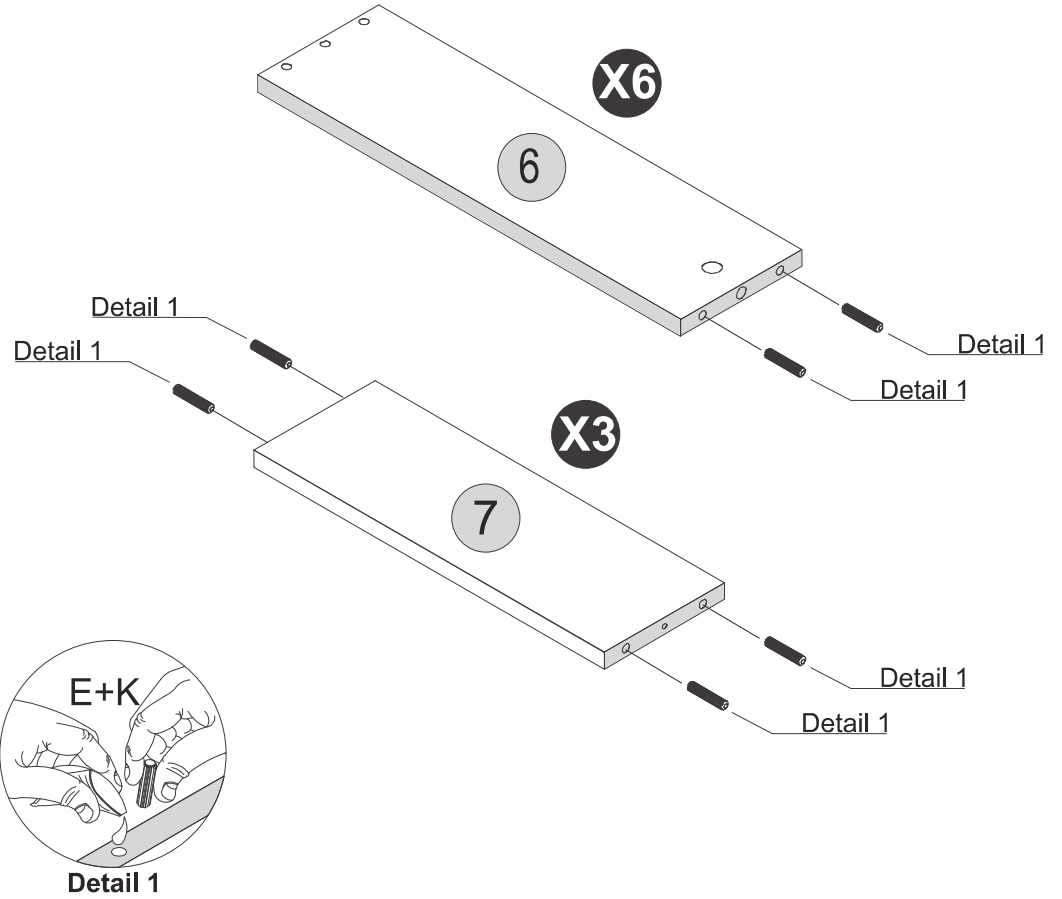
7 - DRAWER BACK PANEL x3

## HARDWARE REQUIRED

E  24  
Ø6 x 30mm

K  01  
GLUE

## TOOLS REQUIRED

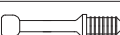


# STEP 12

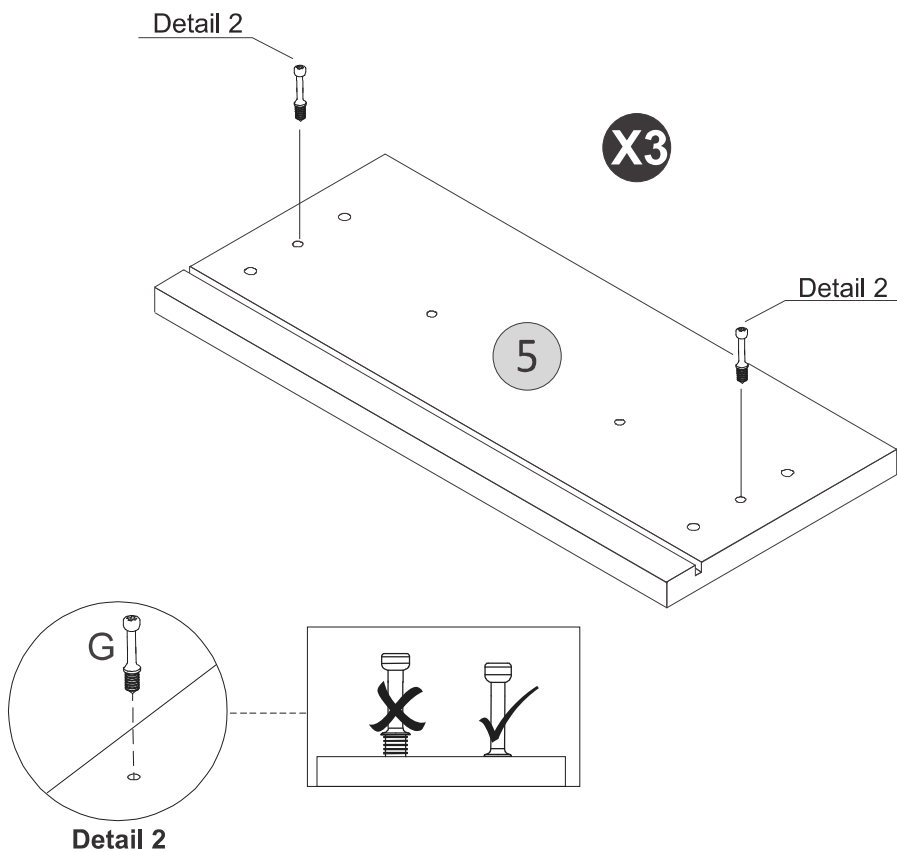
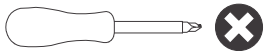
## PARTS REQUIRED

5 - DRAWER FRONT x3

## HARDWARE REQUIRED

G  06

## TOOLS REQUIRED



# STEP 13

## PARTS REQUIRED

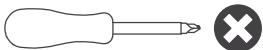
6 - DRAWER SIDE x6

7 - DRAWER BACK PANEL x3

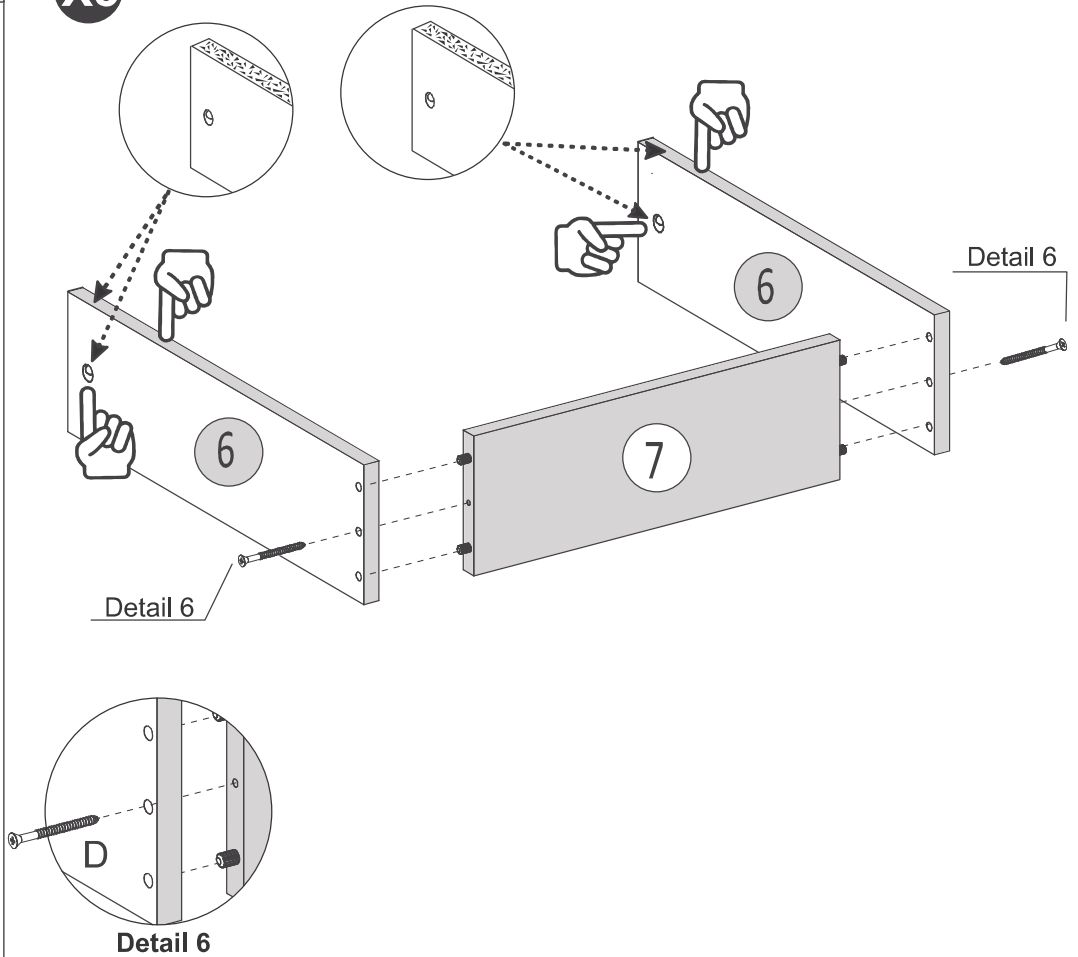
## HARDWARE REQUIRED

D  06  
Ø4 x 50mm

## TOOLS REQUIRED



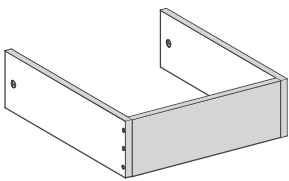
X3



# STEP 14

## PARTS REQUIRED

5 - DRAWER FRONT x3

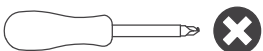


## HARDWARE REQUIRED

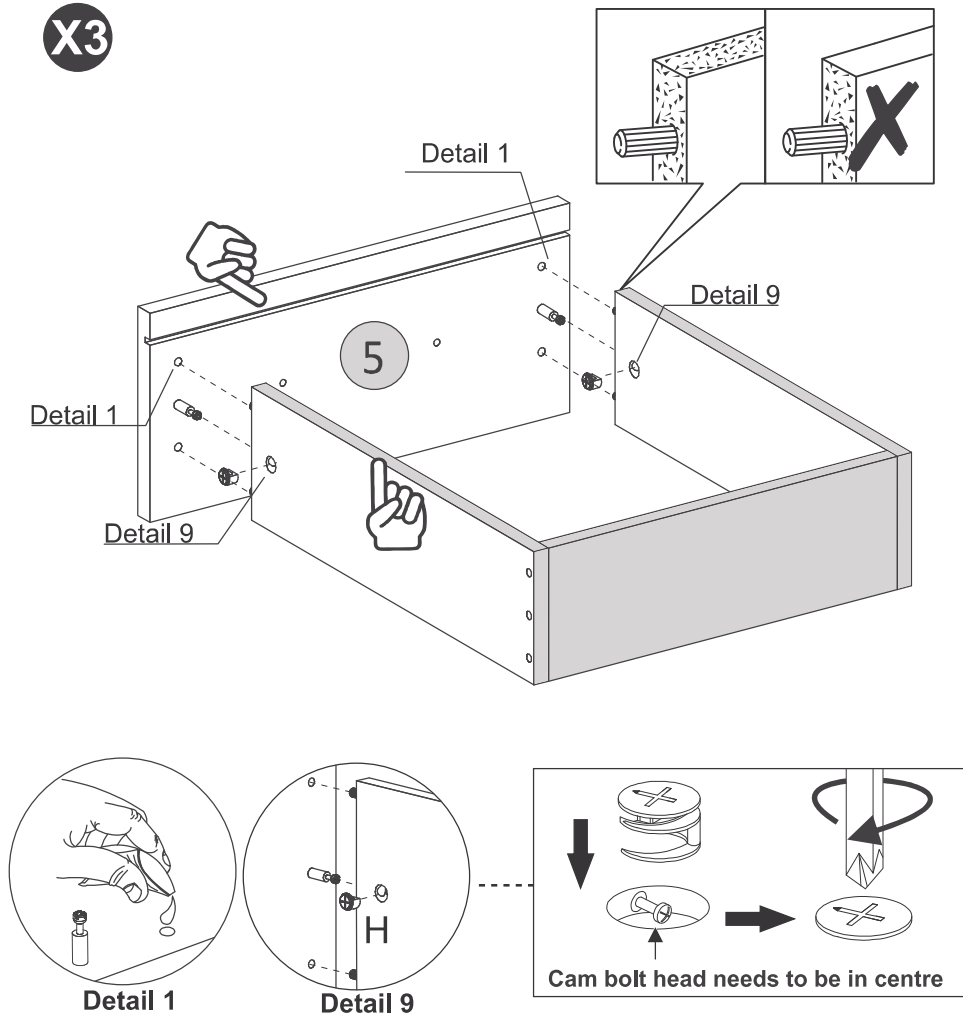
H  06

K  01  
GLUE

## TOOLS REQUIRED



X3

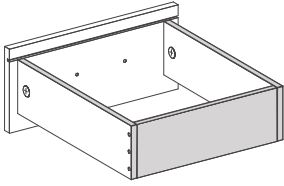


# STEP 15

SEC/SW/12/22/HV2

## PARTS REQUIRED

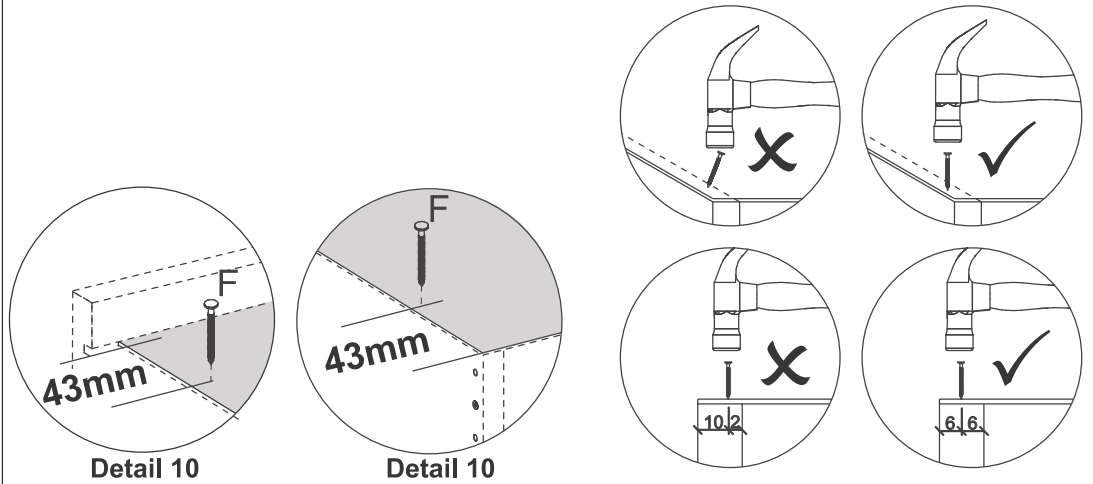
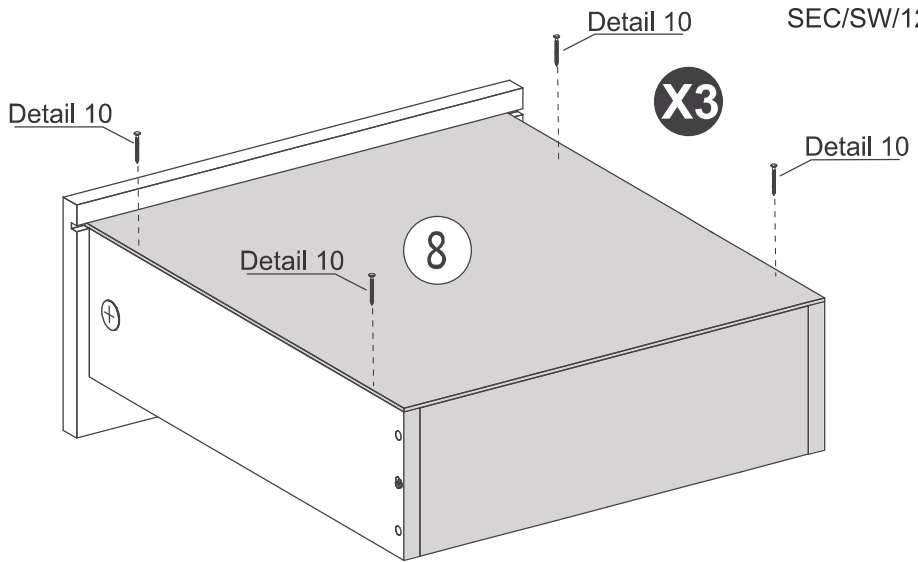
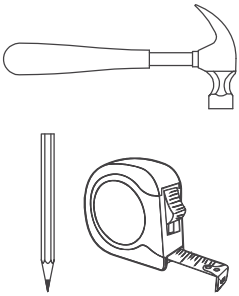
8 - DRAWER BOTTOM x3



## HARDWARE REQUIRED

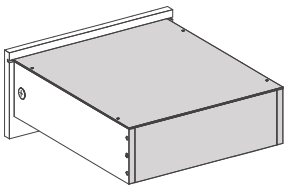
F  12  
10 x 10

## TOOLS REQUIRED



# STEP 16

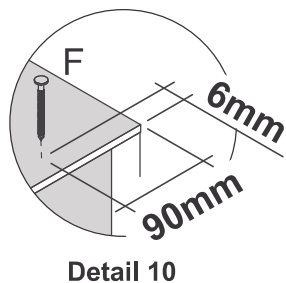
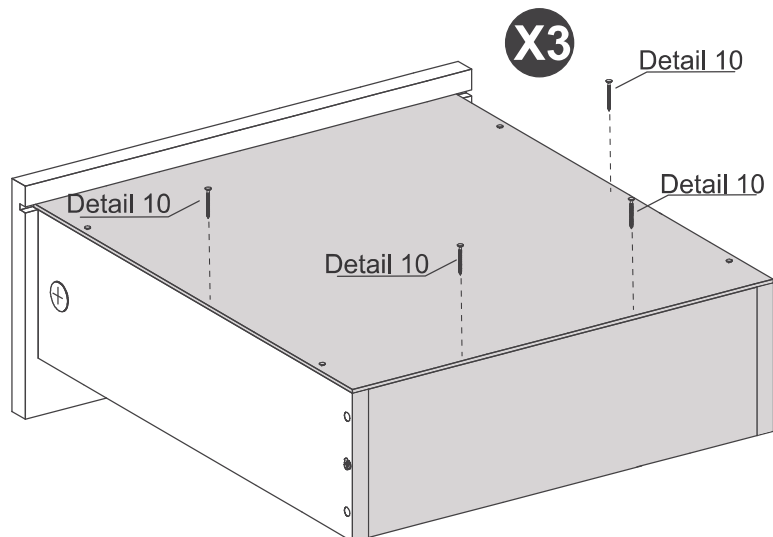
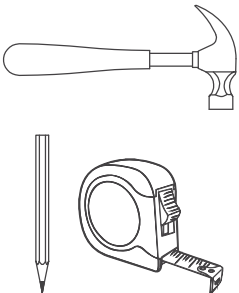
## PARTS REQUIRED



## HARDWARE REQUIRED

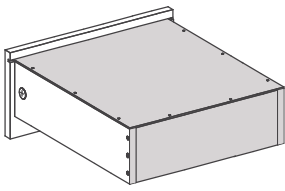
F  12  
10 x 10

## TOOLS REQUIRED

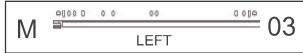
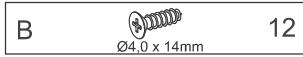


# STEP 17

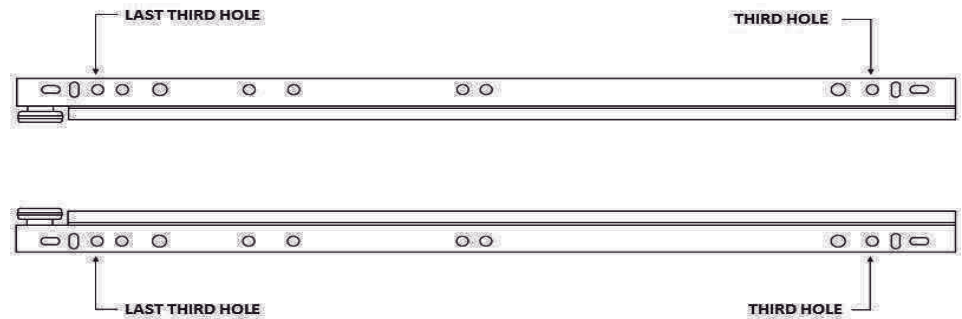
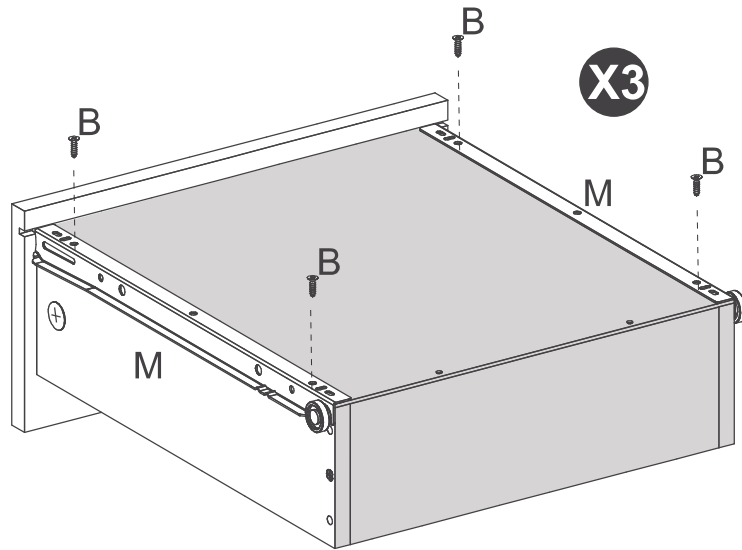
**PARTS REQUIRED**



**HARDWARE REQUIRED**

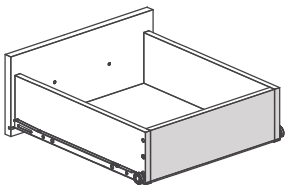


**TOOLS REQUIRED**

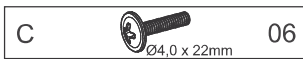


# STEP 18

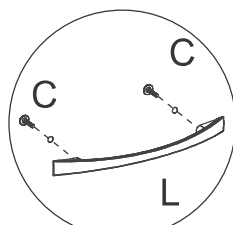
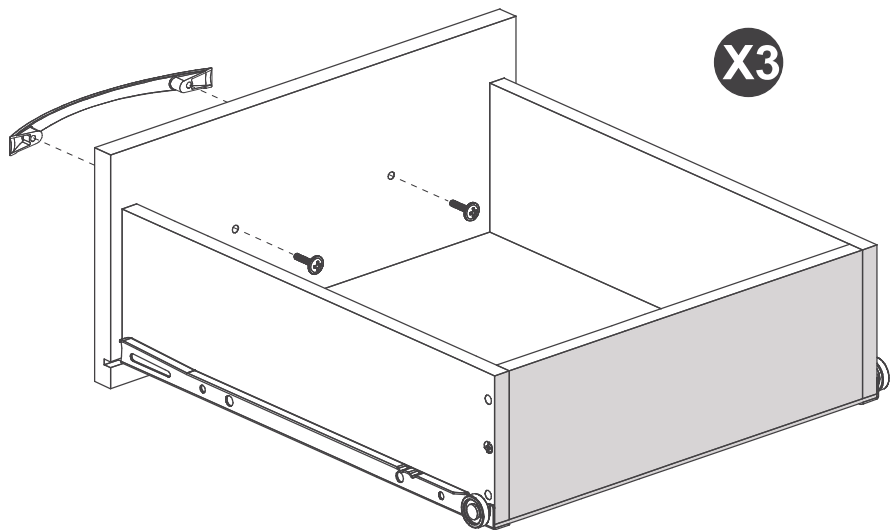
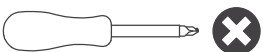
**PARTS REQUIRED**



**HARDWARE REQUIRED**



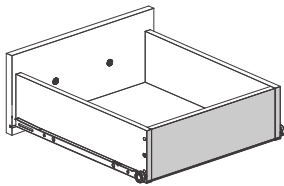
**TOOLS REQUIRED**



Detail 11

# STEP 19

PARTS REQUIRED

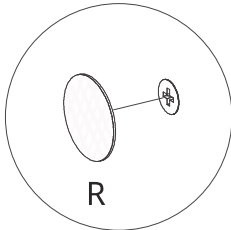
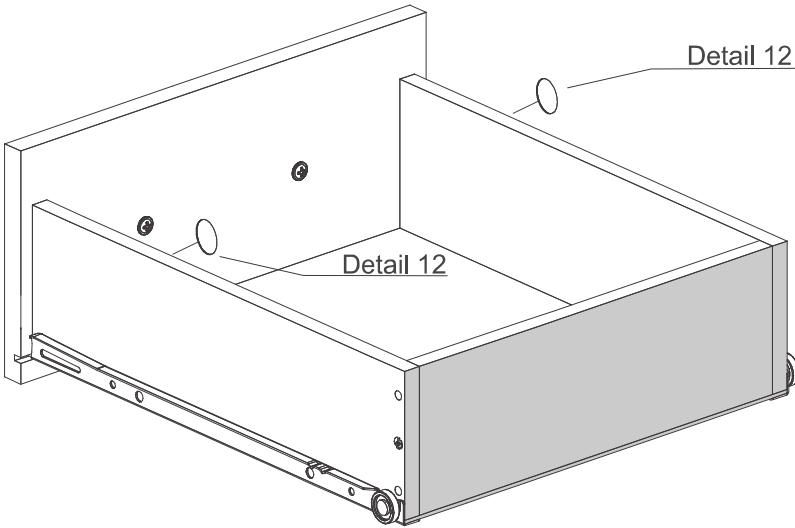


HARDWARE REQUIRED



TOOLS REQUIRED

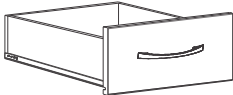
**X3**



**Detail 12**

# STEP 20

PARTS REQUIRED

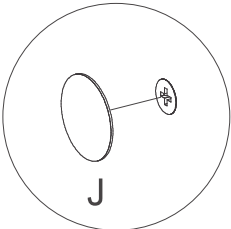
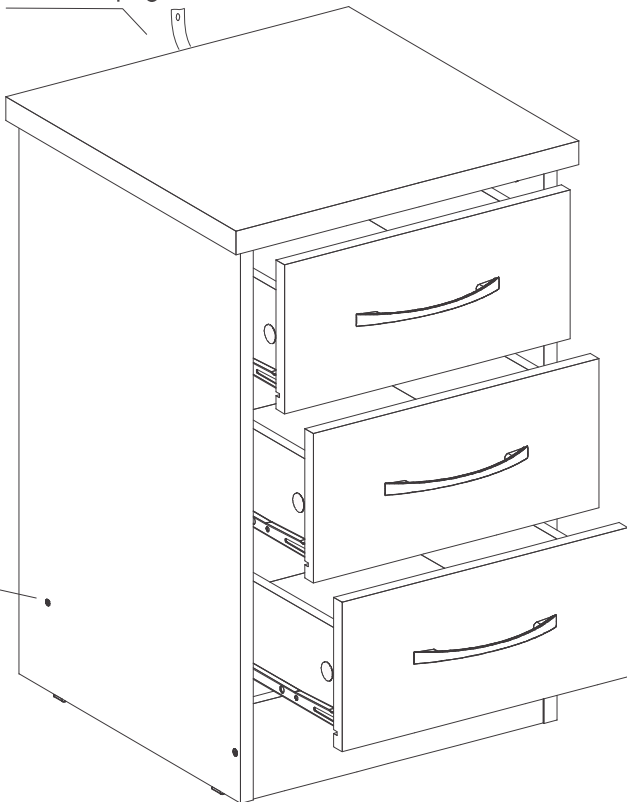


HARDWARE REQUIRED



TOOLS REQUIRED

  
See the last page



**Detail 12**

## WARNING

**Serious or fatal injuries can occur from furniture tipping over. To prevent the furniture from tipping over we recommend that it is permanently fixed to the wall.**

Wall fixings are not supplied with this product as different wall materials require different types of fixing devices. Please make sure you use fixings suitable for the walls in your home.

