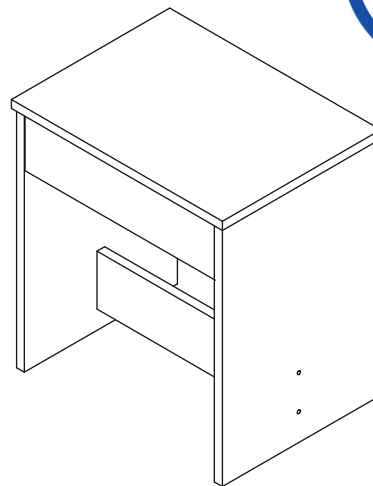
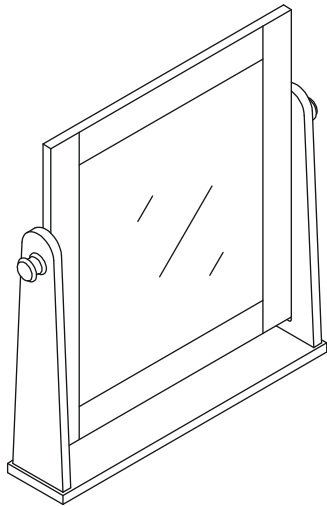


GREY GLOSS SEVILLE DRESSING TABLE SET (MIRROR & CHAIR) ASSEMBLY INSTRUCTIONS



**FOR DOMESTIC USE ONLY
IMPORTANT**

PLEASE READ BEFORE YOU CONTINUE FURTHER

THE PRODUCT YOU HAVE PURCHASED WILL GIVE YOU MANY YEARS OF SERVICE IF YOU FOLLOW THE GUIDELINES FOR ITS SAFE ASSEMBLY AND PERIODIC MAINTENANCE AND CLEANING.

ASSEMBLE ON A SOFT CLEAN SURFACE.

DO NOT USE ANY TOOLS OTHER THAN THOSE SHOWN.

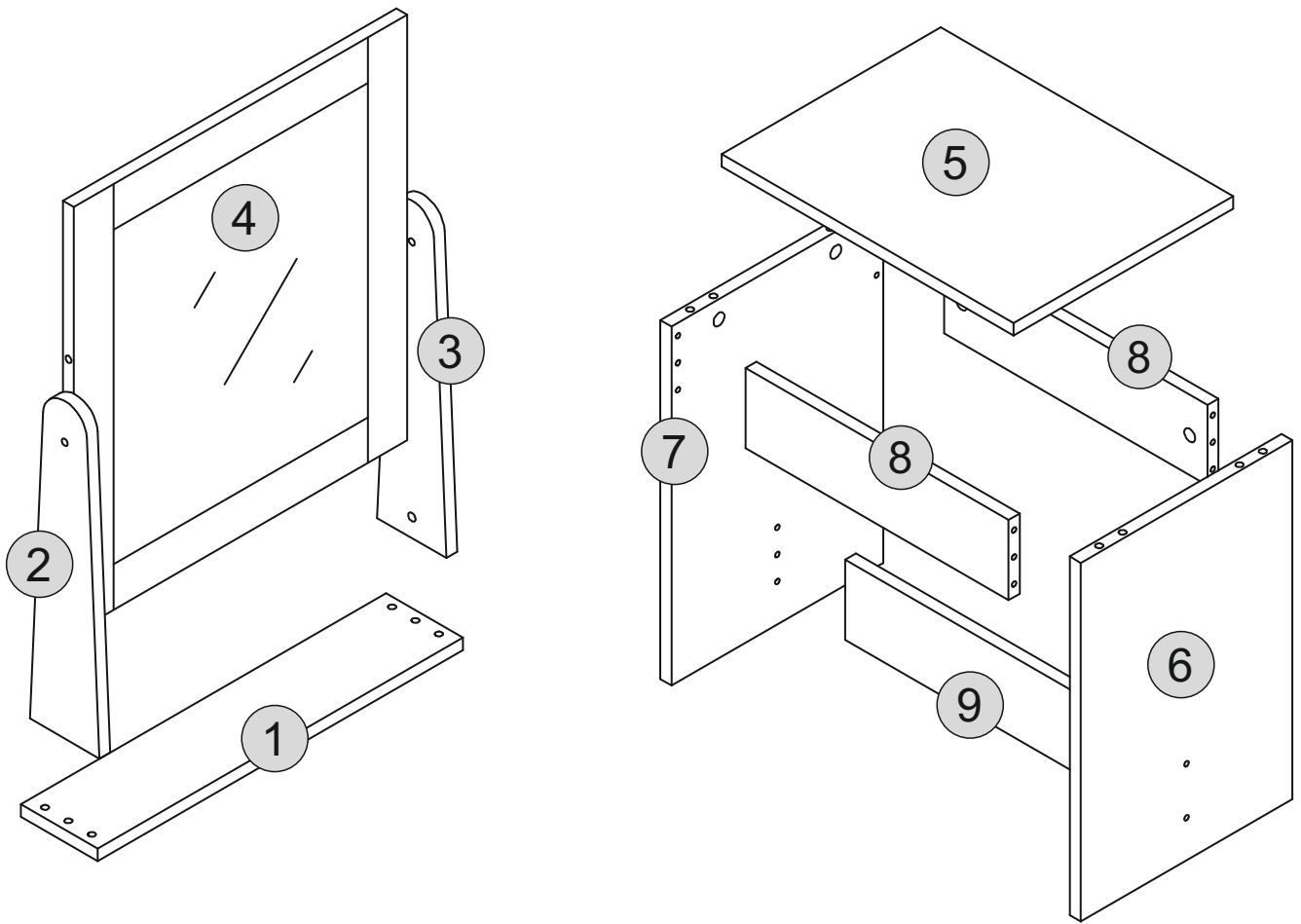
ANY SPANNERS OR ALLEN KEYS REQUIRED ARE INCLUDED WITH THE FITTING KIT.

DO NOT FOR ANY REASON USE A POWER TOOL TO ASSEMBLE THIS PRODUCT. ITS USE WILL INVALIDATE ANY CLAIM YOU MAY HAVE AND COULD MAKE THIS PRODUCT UNSAFE.

DEPENDING ON THE AMOUNT OF USE THIS PRODUCT RECEIVES, IT MAY BE NECESSARY TO TIGHTEN UP THE FIXINGS FROM TIME TO TIME. THIS IS COMPLETELY NORMAL FOR ANY FLAT PACK FURNITURE. DO NOT OVERTIGHTEN FIXINGS.

FOR CLEANING, YOU MAY USE A DAMP CLOTH (NOT WET). DO NOT USE POLISH, DETERGENT OR CHEMICAL CLEANERS.

THE SURFACE OF THIS ITEM IS NOT HEAT RESISTANT. ALWAYS USE A PLACE MAT UNDER HOT OR COLD ITEMS TO PREVENT MARKING.



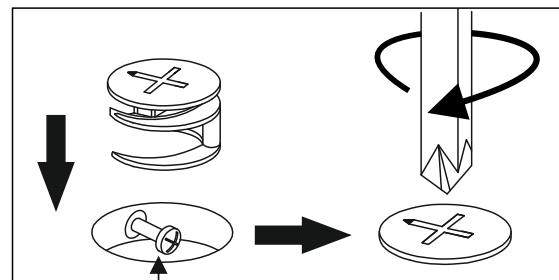
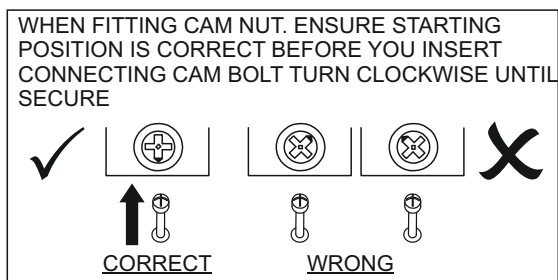
PART LIST

Part Number	Part Code	Part Description	Quantity	Carton
1	S100-107-017-ZF1-01M	Base (Mirror)	1	2/2
2	S100-107-017-ZF1-02M	Left Side Panel (Mirror)	1	2/2
3	S100-107-017-ZF1-03M	Right Side Panel (Mirror)	1	2/2
4	S100-107-017-ZF1-04M	Mirror Panel	1	2/2
5	S100-107-017-ZF1-05S	Top Panel (Chair)	1	2/2
6	S100-107-017-ZF1-06S	Right Side Panel (Chair)	1	2/2
7	S100-107-017-ZF1-07S	Left Side Panel (Chair)	1	2/2
8	S100-107-017-ZF1-08S	Top Support Panel (Chair)	2	2/2
9	S100-107-017-ZF1-09S	Support Panel (Chair)	1	2/2

HARDWARE LIST

No	Part Name		Qty	Carton
A	M8x25mm Wooden Dowel		x18	2
B	M6x50mm Screw JCBC		x6	2
C	Minifix Cam Bolt (8032t)		x8	2
D	Minifix Cam Nut (1512)		x8	2
E	M6x13mm Baller		x8	2
F	Allen Key (M4)		x1	2
G	Plastic Foot		x4	2
H	Screw Cover (Sticker 12mm)		x8	2
I	Iron Shelf Support		x4	2
J	Spring Washer		x2	2
K	M6x65mm Screw JCBC + Handle		x2	2

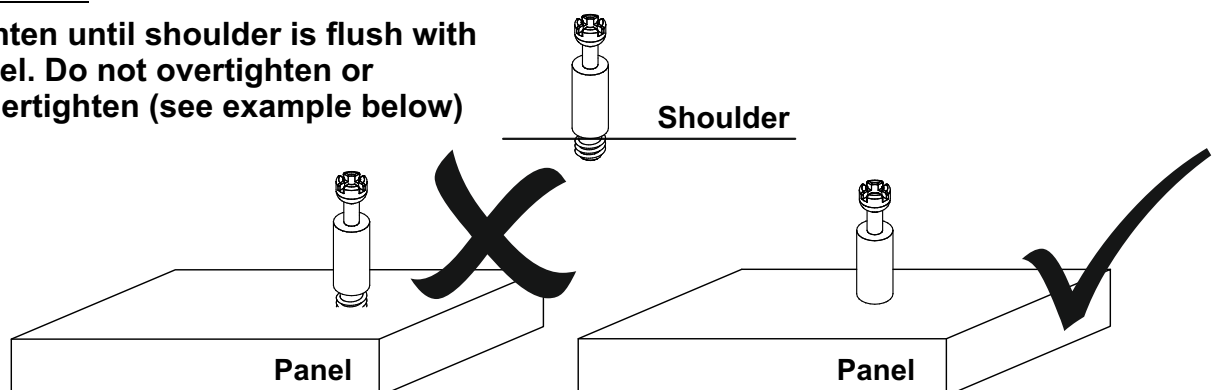
TIPS FOR FITTINGS CAM-LOCKS



Cam bolt head needs to be in centre

CAMBOLT

Tighten until shoulder is flush with panel. Do not overtighten or undertighten (see example below)



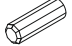
STEP 1

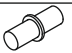
PARTS REQUIRED

2 - LEFT SIDE PANEL(MIRROR) x1

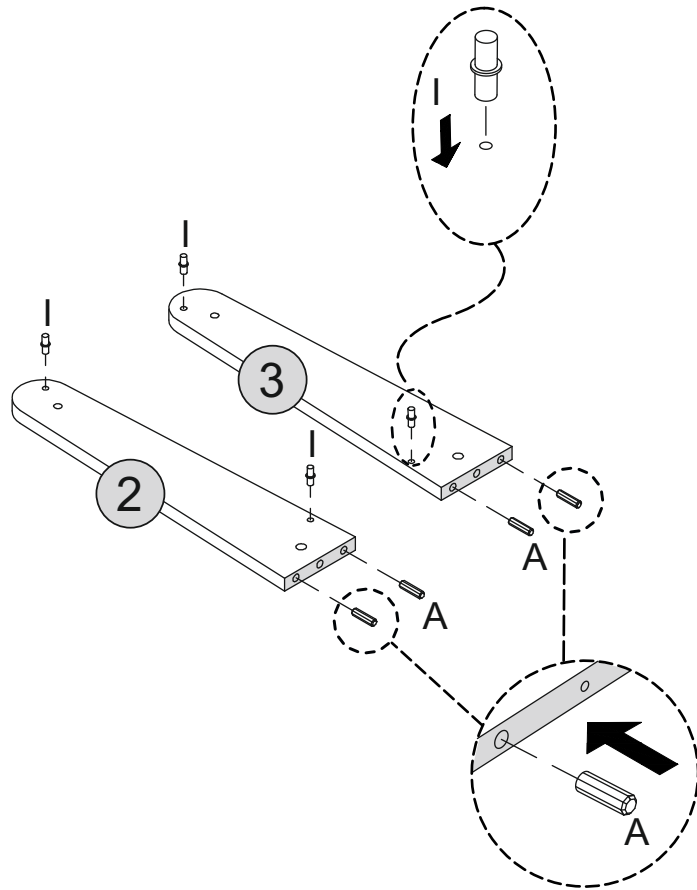
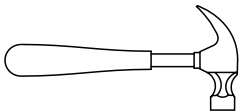
3 - RIGHT SIDE PANEL (MIRROR)x1

HARDWARE REQUIRED

A  04

I  04

TOOLS REQUIRED



STEP 2

PARTS REQUIRED

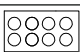
2 - LEFT SIDE PANEL(MIRROR) x1

3 - RIGHT SIDE PANEL(MIRROR)x1

4 - MIRROR PANEL x1

HARDWARE REQUIRED

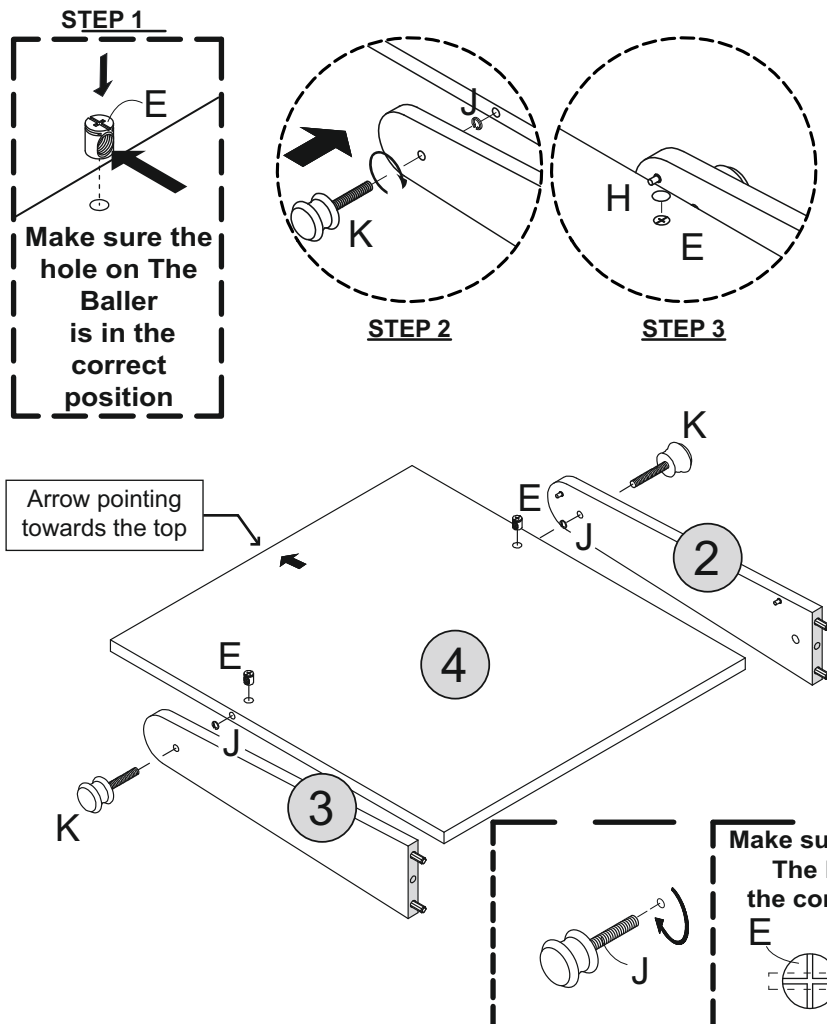
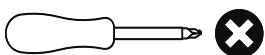
E  02

H  02

J  02

K  02

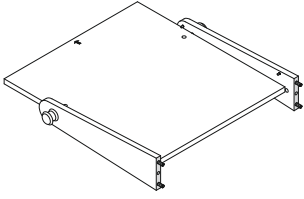
TOOLS REQUIRED



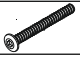
STEP 3

PARTS REQUIRED

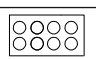
1 - BASE (MIRROR) x1



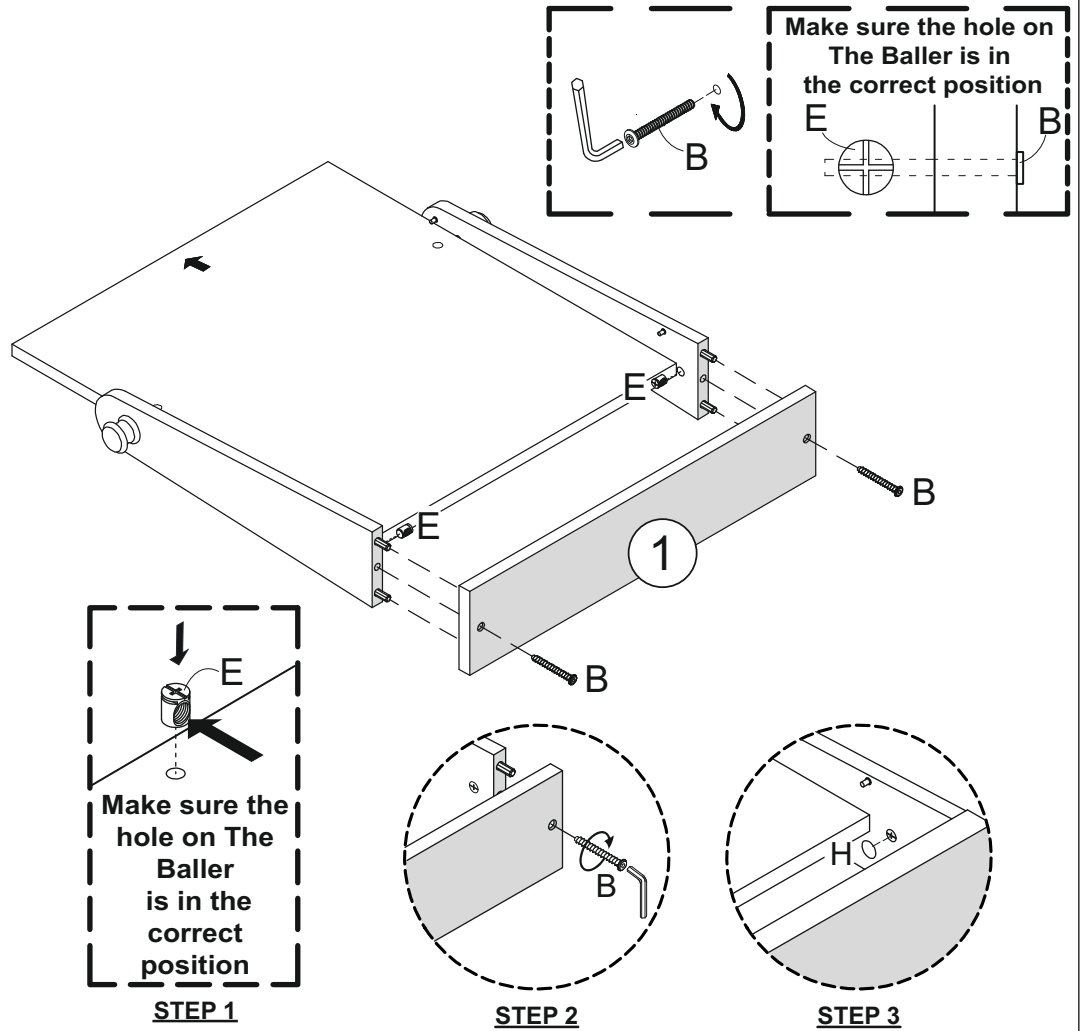
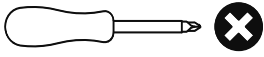
HARDWARE REQUIRED

B  02

E  02

H  02

TOOLS REQUIRED



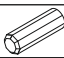
STEP 4

PARTS REQUIRED

8 - TOP SUPPORT PANEL(CHAIR) x2

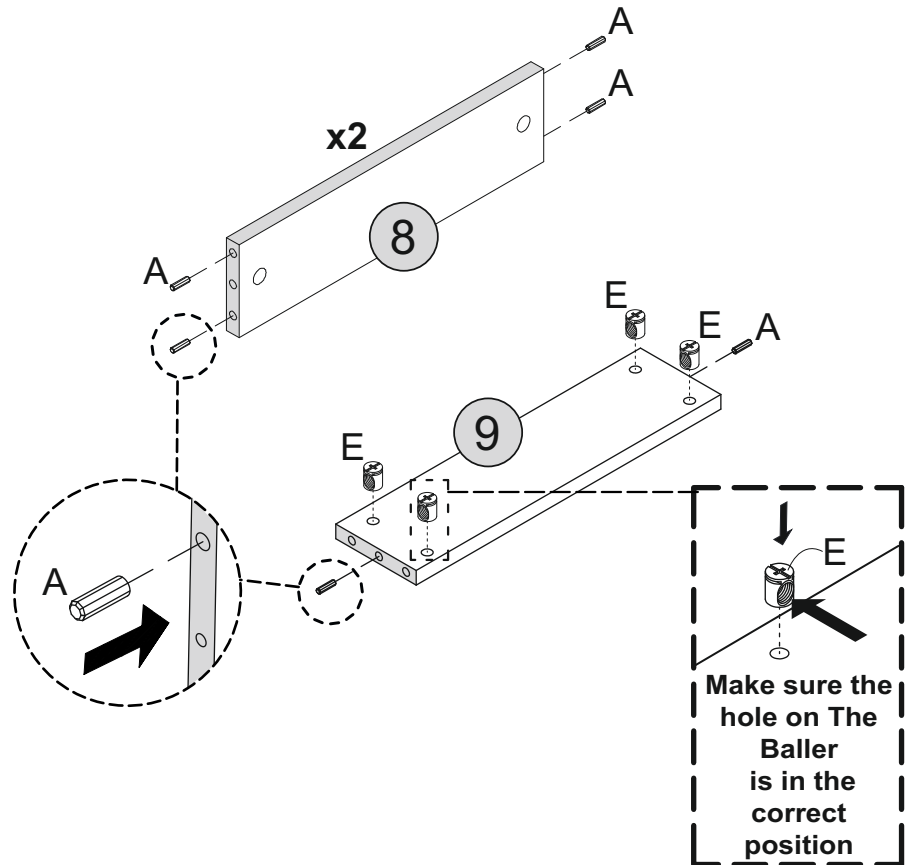
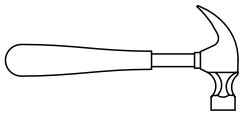
9 - SUPPORT PANEL(CHAIR) x1

HARDWARE REQUIRED

A  10

E  04

TOOLS REQUIRED

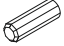




STEP 5

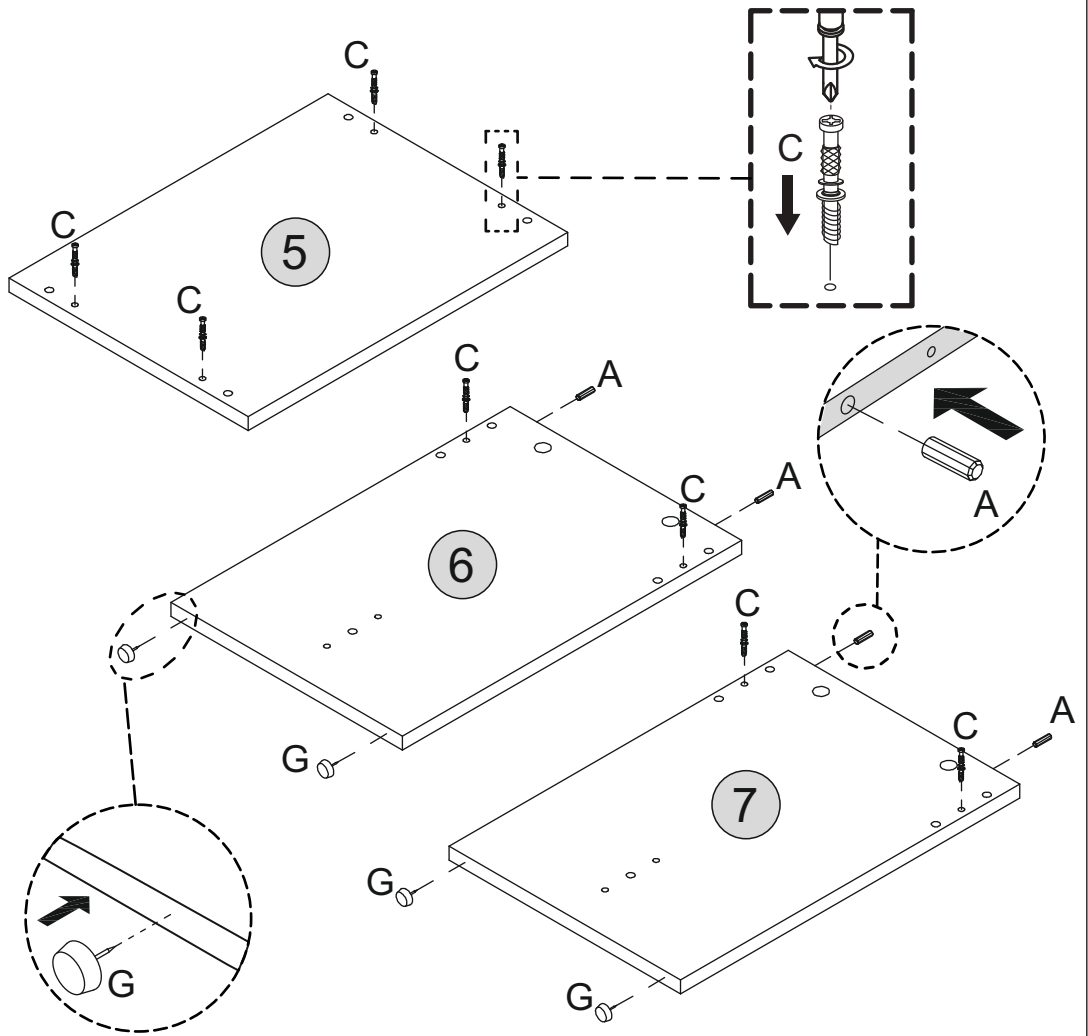
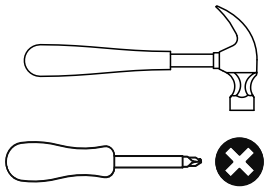
PARTS REQUIRED

- 5 - TOP PANEL(CHAIR) x1
- 6 - RIGHT SIDE PANEL(CHAIR) x1
- 7 - LEFT SIDE PANEL (CHAIR) x1

HARDWARE REQUIRED

- A  04
- C  08
- G  04

TOOLS REQUIRED


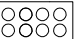


STEP 6

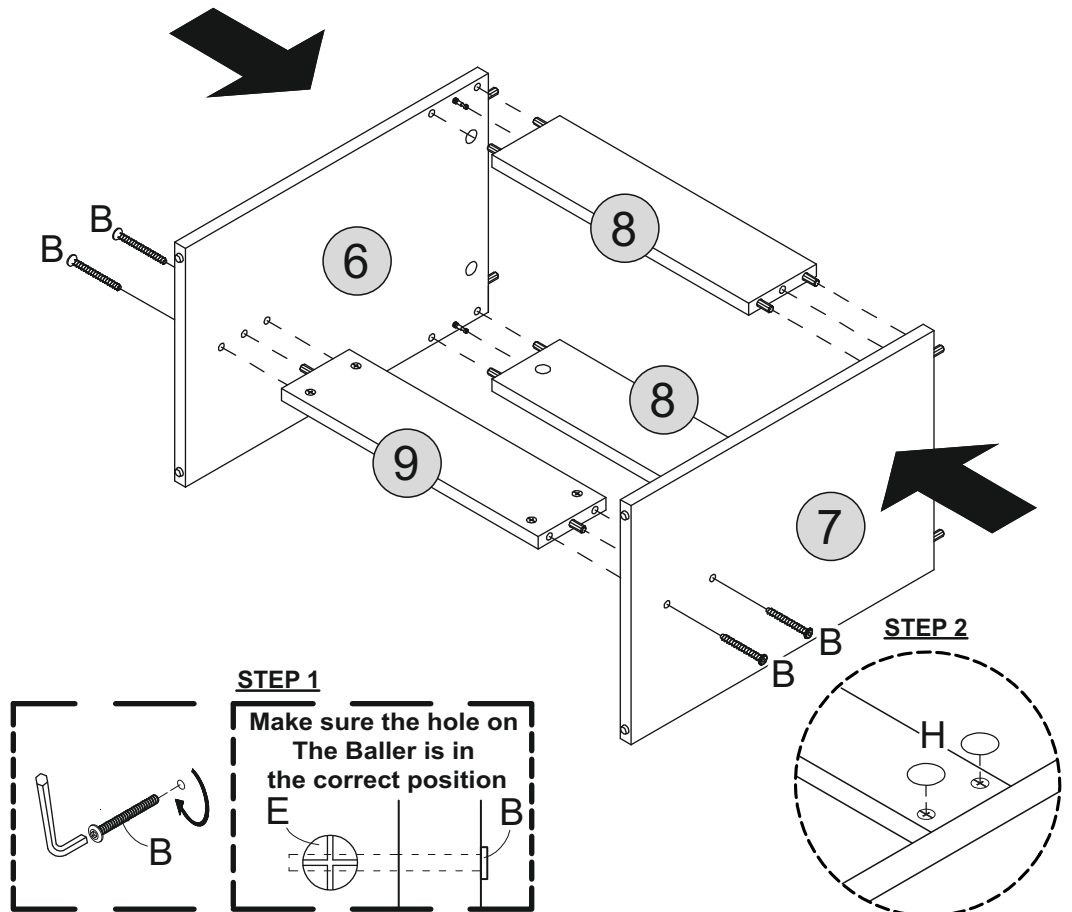
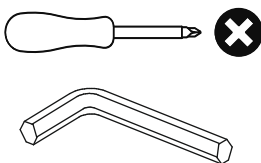
PARTS REQUIRED

- 6 - RIGHT SIDE PANEL (CHAIR)x1
- 7 - LEFT SIDE PANEL (CHAIR) x1
- 8 - TOP SUPPORT PANEL(CHAIR)x2
- 9 - SUPPORT PANEL(CHAIR) x1

HARDWARE REQUIRED

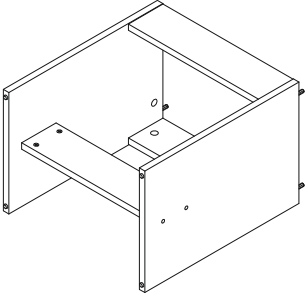
- B  04
- H  04

TOOLS REQUIRED



STEP 7

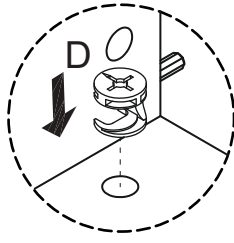
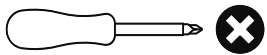
PARTS REQUIRED



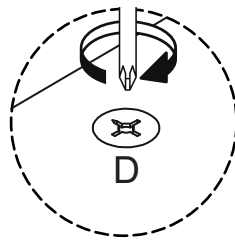
HARDWARE REQUIRED



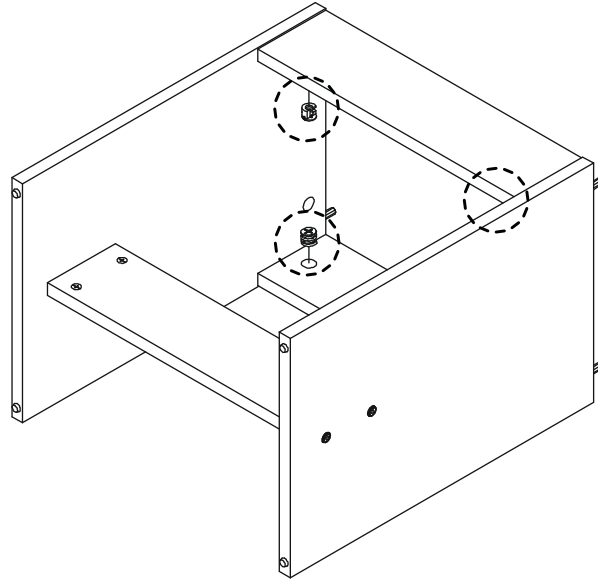
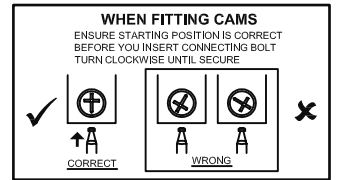
TOOLS REQUIRED



STEP 1

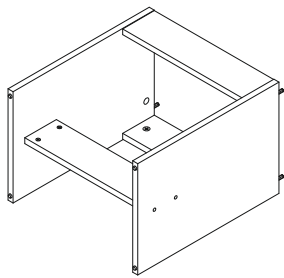
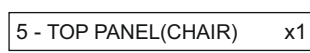


STEP 2



STEP 8

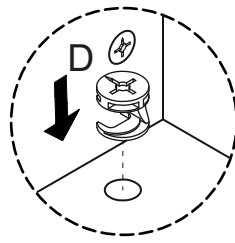
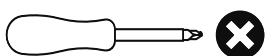
PARTS REQUIRED



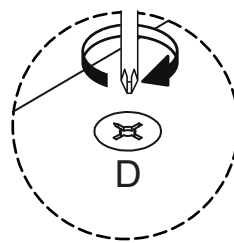
HARDWARE REQUIRED



TOOLS REQUIRED



STEP 1



STEP 2

