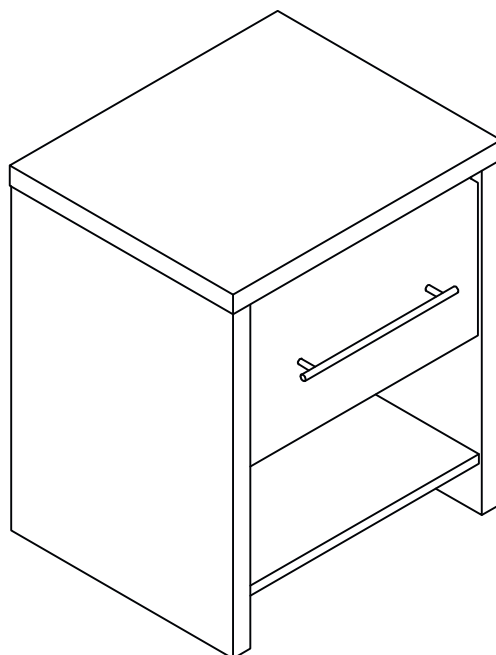


BLACK GLOSS SEVILLE 1 DRAWER BEDSIDE ASSEMBLY INSTRUCTIONS



**FOR DOMESTIC USE ONLY
IMPORTANT**

PLEASE READ BEFORE YOU CONTINUE FURTHER

THE PRODUCT YOU HAVE PURCHASED WILL GIVE YOU MANY YEARS OF SERVICE IF YOU FOLLOW THE GUIDELINES FOR ITS SAFE ASSEMBLY AND PERIODIC MAINTENANCE AND CLEANING.

ASSEMBLE ON A SOFT CLEAN SURFACE.

DO NOT USE ANY TOOLS OTHER THAN THOSE SHOWN.

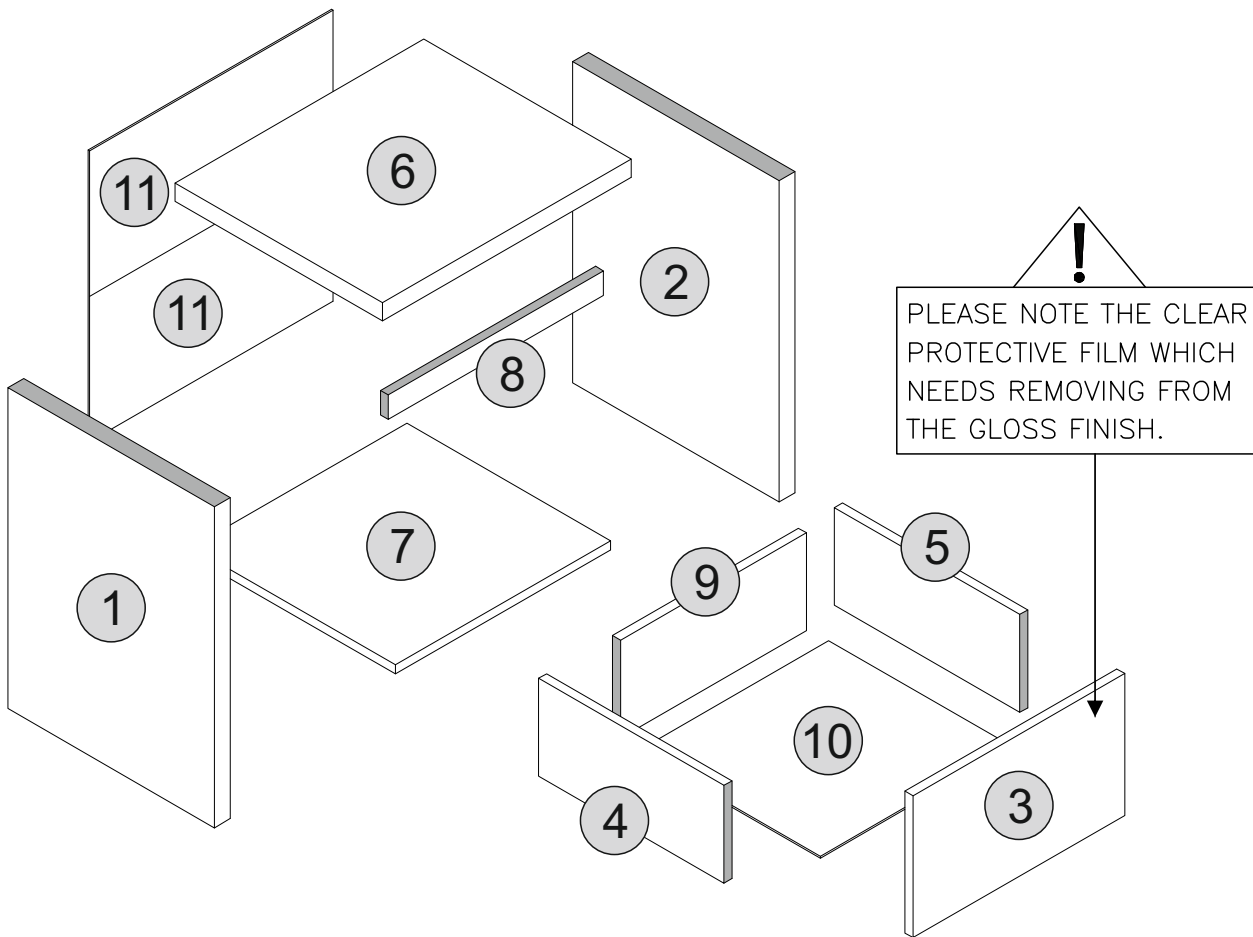
ANY SPANNERS OR ALLEN KEYS REQUIRED ARE INCLUDED WITH THE FITTING KIT.

DO NOT FOR ANY REASON USE A POWER TOOL TO ASSEMBLE THIS PRODUCT. ITS USE WILL INVALIDATE ANY CLAIM YOU MAY HAVE AND COULD MAKE THIS PRODUCT UNSAFE.

DEPENDING ON THE AMOUNT OF USE THIS PRODUCT RECEIVES, IT MAY BE NECESSARY TO TIGHTEN UP THE FIXINGS FROM TIME TO TIME. THIS IS COMPLETELY NORMAL FOR ANY FLAT PACK FURNITURE. DO NOT OVERTIGHTEN FIXINGS.

FOR CLEANING, YOU MAY USE A DAMP CLOTH (NOT WET). DO NOT USE POLISH, DETERGENT OR CHEMICAL CLEANERS.

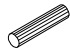


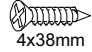





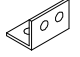


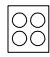
THIS SURFACE OF THIS ITEM IS NOT HEAT RESISTANT. ALWAYS USE A PLACE MAT UNDER HOT OR COLD ITEMS TO PREVENT MARKING.



PART LIST

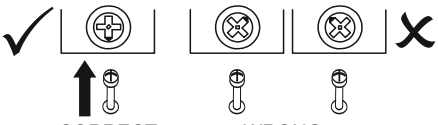
Part Number	Part Code	Part Description	Quantity	Carton
1	S100-103-031-ZF1-01	Left Side Panel	1	1/1
2	S100-103-031-ZF1-02	Right Side Panel	1	1/1
3	S100-103-031-ZF1-03	Drawer Front	1	1/1
4	S100-103-031-ZF1-04	Left Drawer Side	1	1/1
5	S100-103-031-ZF1-05	Right Drawer Side	1	1/1
6	S100-103-031-ZF1-06	Top Panel	1	1/1
7	S100-103-031-ZF1-07	Bottom Panel	1	1/1
8	S100-103-031-ZF1-08	Support Panel	1	1/1
9	S100-103-031-ZF1-09	Drawer Back	1	1/1
10	S100-103-031-ZF1-10	Drawer Base	1	1/1
11	S100-103-031-ZF1-11	Back Panel	2	1/1

HARDWARE LIST

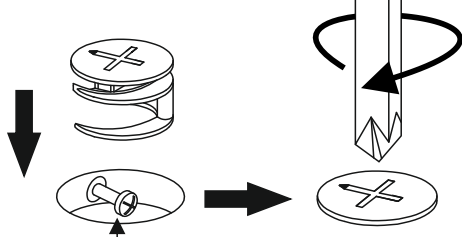
No.	Part Name		Qty
A	Wooden Dowel (6x25mm)		x10
B	65mm Screw (4x65mm)		x4
C	14mm Screw (3.5x14mm)		x12
D	38mm Screw (4x38mm)		x4
E	Cam Bolt (8032T)		x6
F	Cam Nut (1512)		x6
G	10" Handle (192mm)		x1
H	20mm Handle Screw		x1
I	14" Drawer Slide		x1
J	PVC L - Bracket		x1
K	Plastic Foot		x4
L	6/8" Nail		x24
M	Screw Cover (Sticker 12mm)		x4

TIPS FOR FITTINGS CAM-LOCKS

WHEN FITTING CAM NUT. ENSURE STARTING POSITION IS CORRECT BEFORE YOU INSERT. CONNECTING CAM BOLT TURN CLOCKWISE UNTIL SECURE



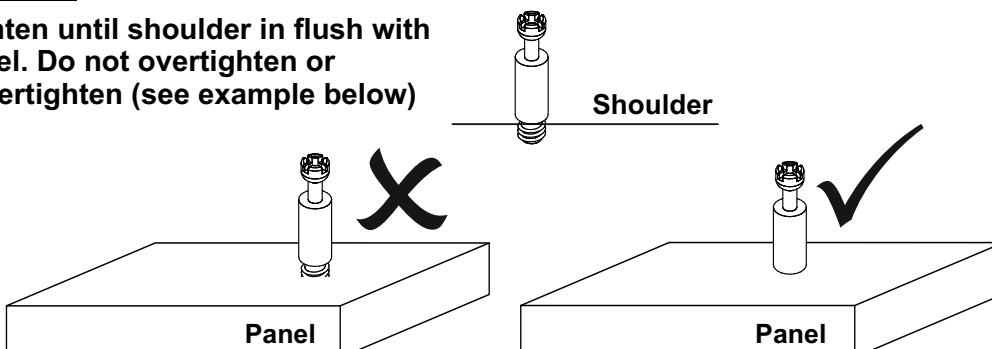
CORRECT **WRONG**



Cam bolt head needs to be in centre

CAMBOLT

Tighten until shoulder in flush with panel. Do not overtighten or undertighten (see example below)



Shoulder

Panel **Panel**

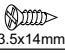
STEP 1


PARTS REQUIRED

1 - LEFT SIDE PANEL x1

2 - RIGHT SIDE PANEL x1

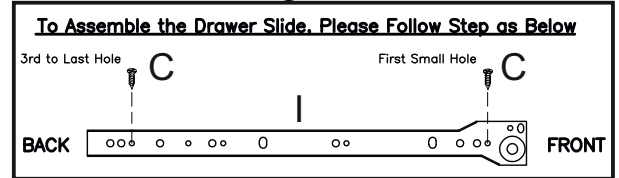
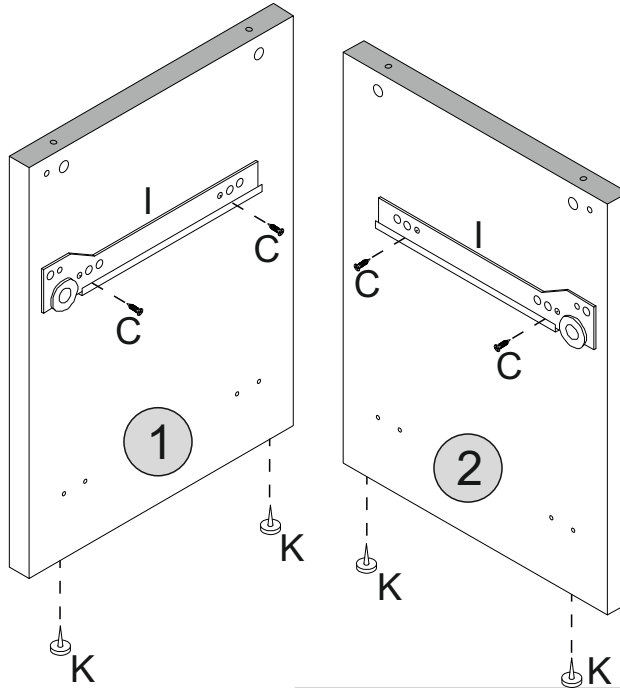
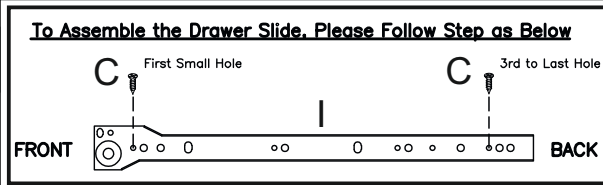
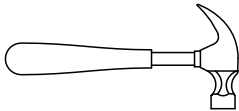
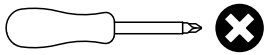
HARDWARE REQUIRED

C  04
3.5x14mm

I  01

K  04

TOOLS REQUIRED



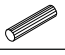
STEP 2

PARTS REQUIRED

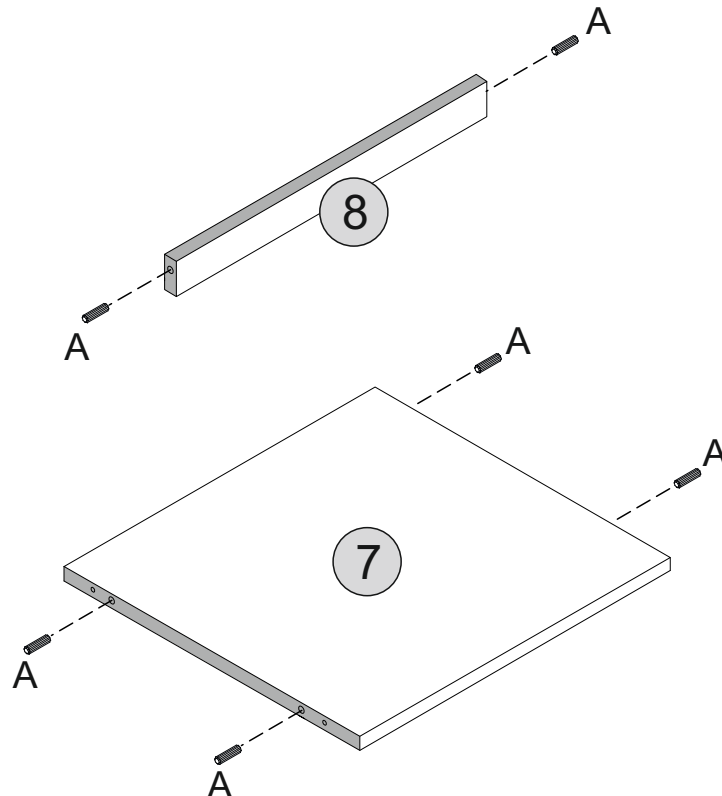
7 - BOTTOM PANEL x1

8 - SUPPORT PANEL x1

HARDWARE REQUIRED

A  06

TOOLS REQUIRED



STEP 3

PARTS REQUIRED

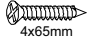
1 - LEFT SIDE PANEL x1

2 - RIGHT SIDE PANEL x1

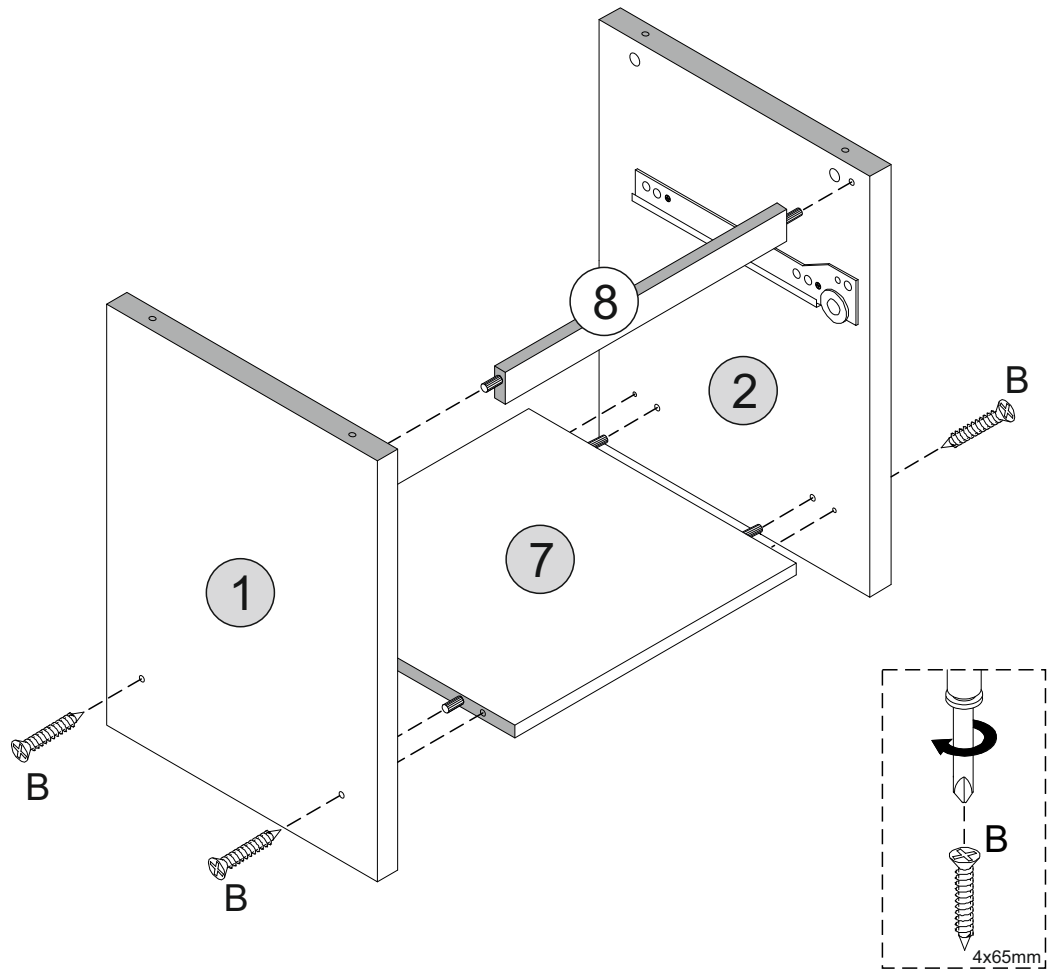
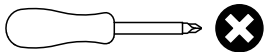
7 - BOTTOM PANEL x1

8 - SUPPORT PANEL x1

HARDWARE REQUIRED

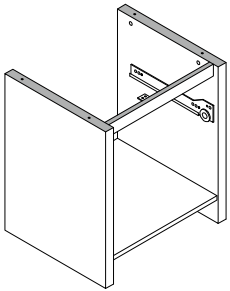
B  04

TOOLS REQUIRED



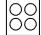
STEP 4

PARTS REQUIRED

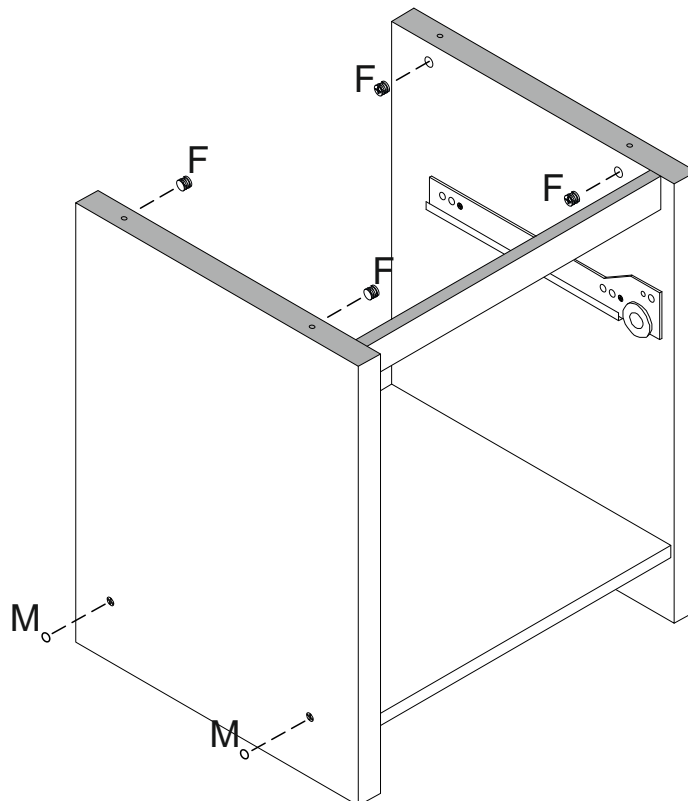


HARDWARE REQUIRED

F  04

M  04

TOOLS REQUIRED

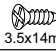


STEP 5

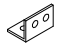
PARTS REQUIRED

6 - TOP PANEL x1

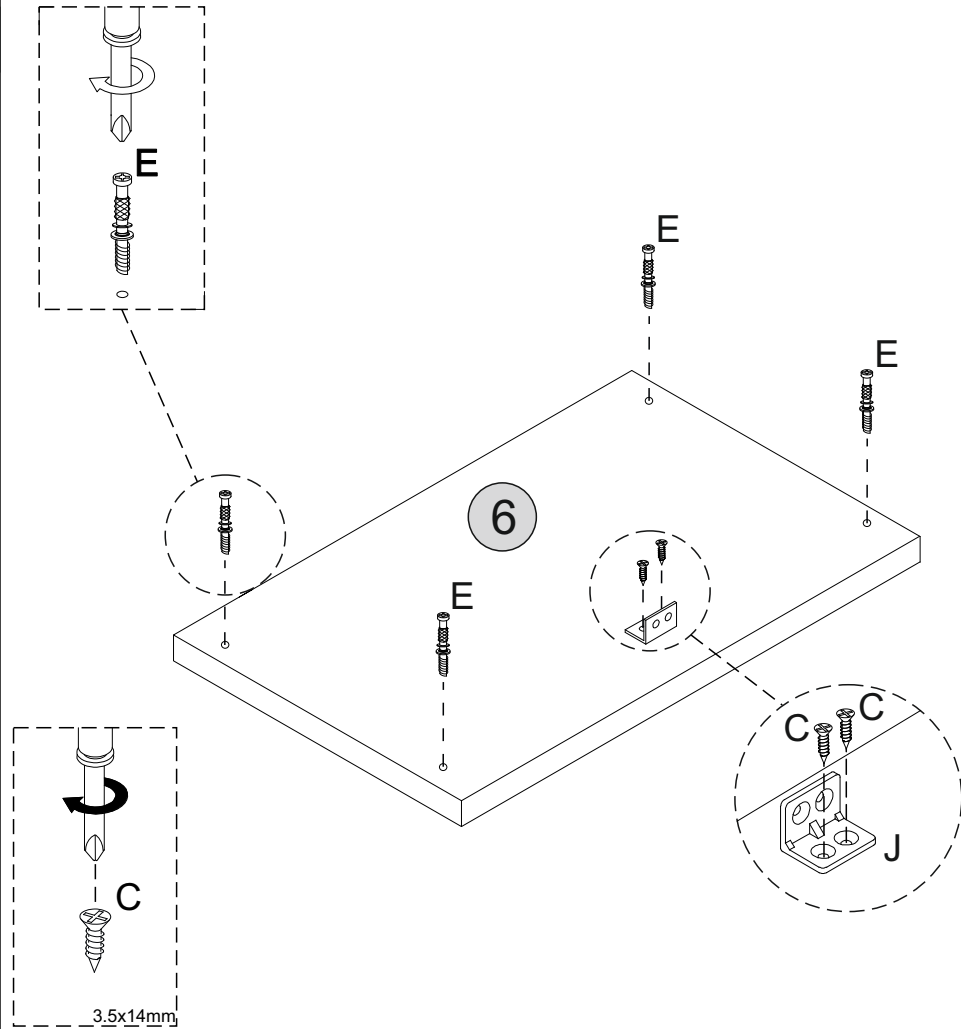
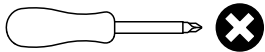
HARDWARE REQUIRED

C  02
3.5x14mm

E  04

J  01

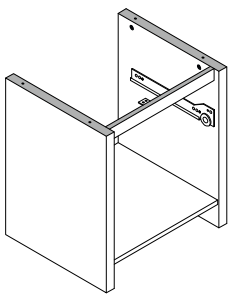
TOOLS REQUIRED



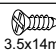
STEP 6

PARTS REQUIRED

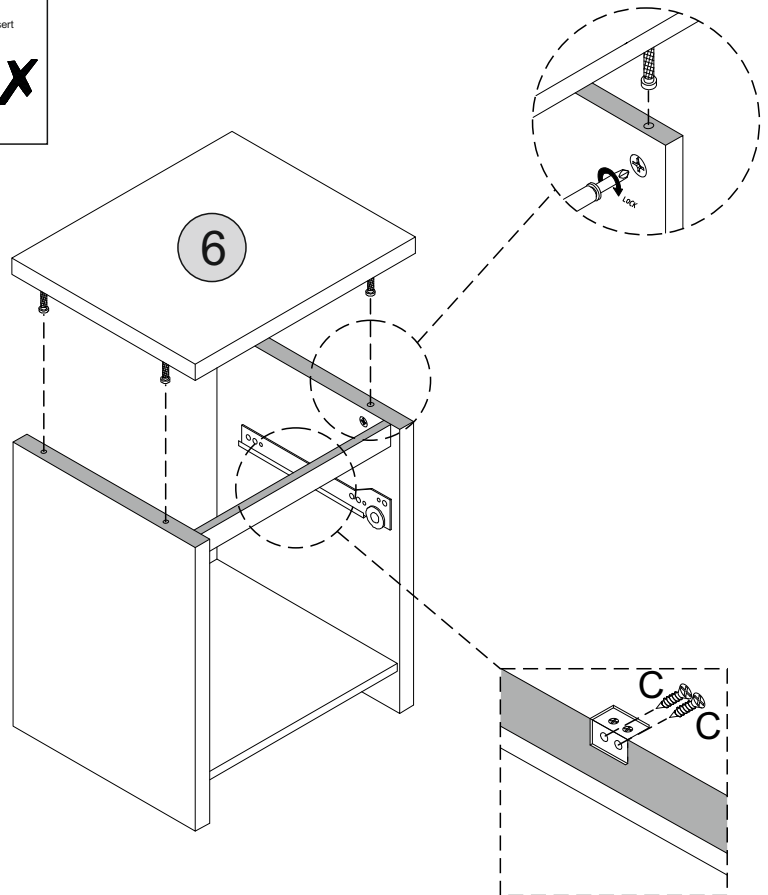
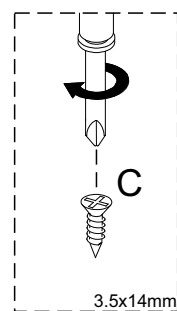
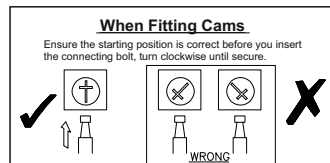
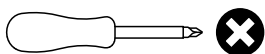
6 - TOP PANEL x1



HARDWARE REQUIRED

C  02
3.5x14mm

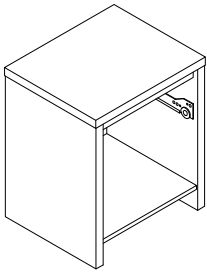
TOOLS REQUIRED




STEP 7

PARTS REQUIRED

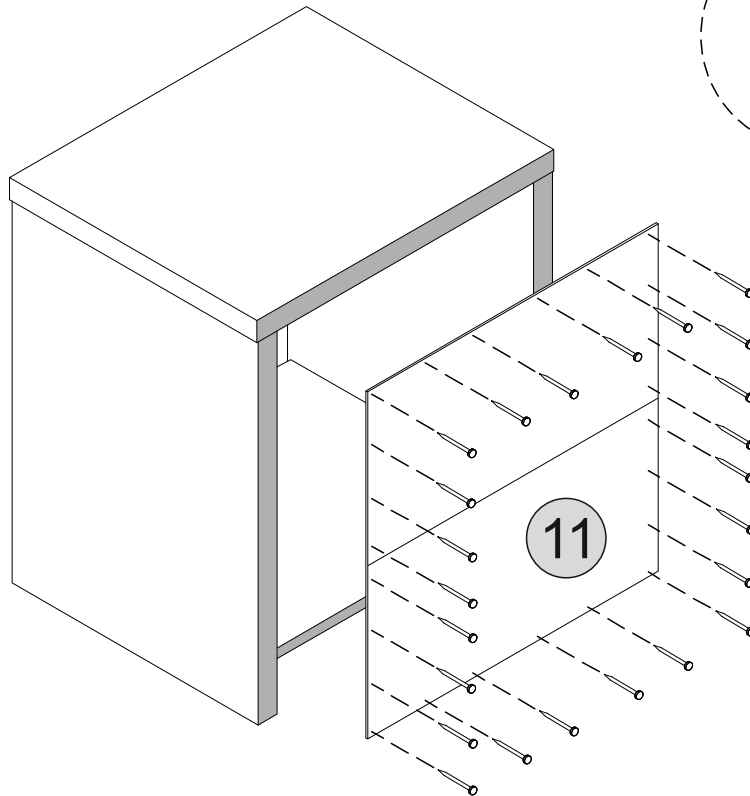
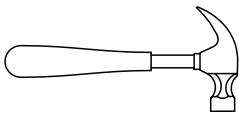
11 - BACK PANEL x1



HARDWARE REQUIRED

L  24

TOOLS REQUIRED



STEP 8


PARTS REQUIRED


3 - DRAWER FRONT x1

4 - LEFT DRAWER SIDE x1

5 - RIGHT DRAWER SIDE x1

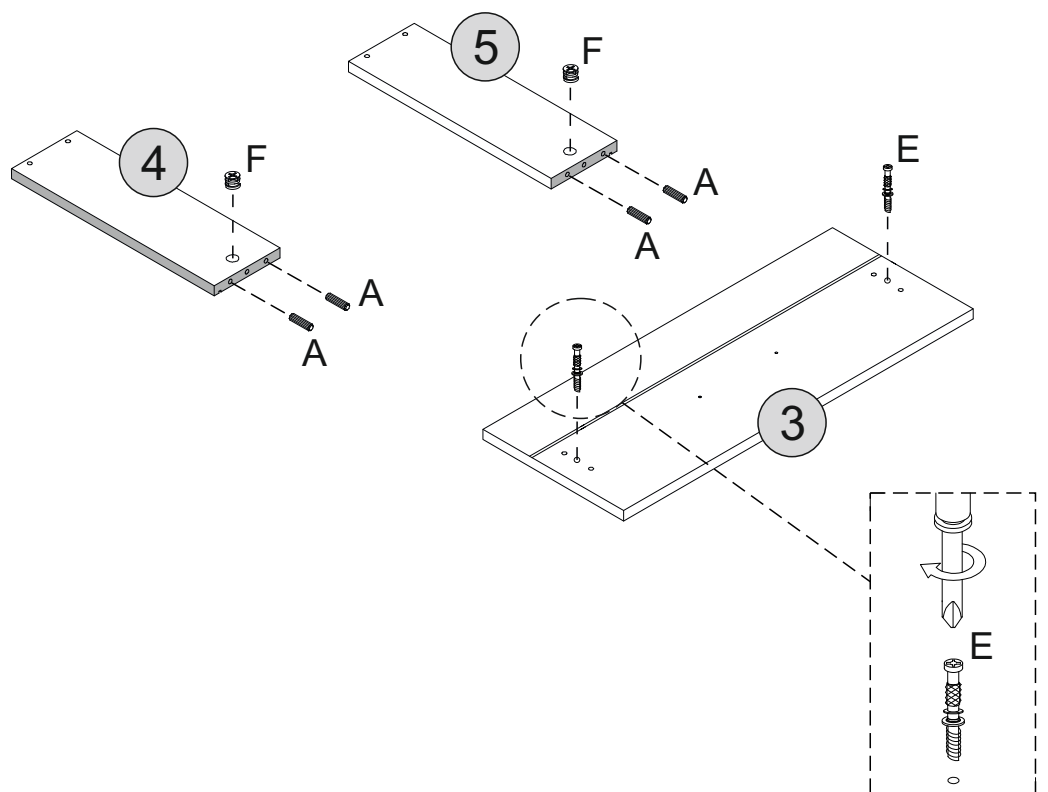
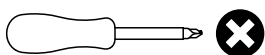
HARDWARE REQUIRED

A  04

E  02

F  02

TOOLS REQUIRED



STEP 9

PARTS REQUIRED

4 - LEFT DRAWER SIDE x1

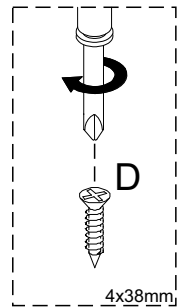
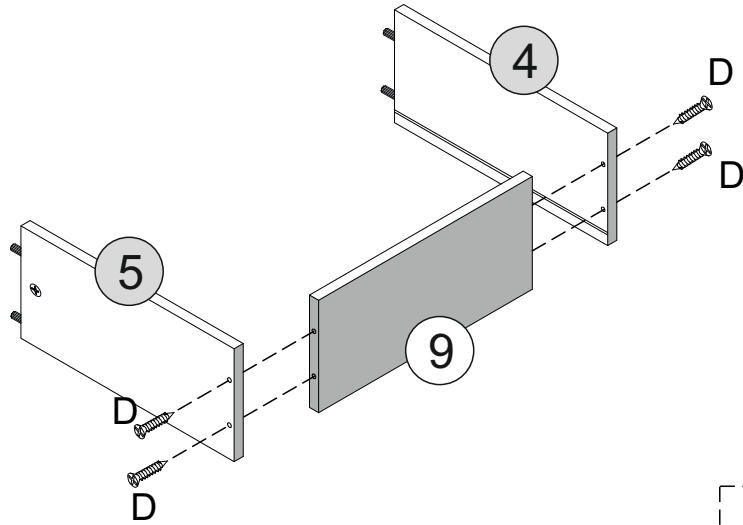
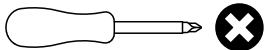
5 - RIGHT DRAWER SIDE x1

9 - DRAWER BACK x1

HARDWARE REQUIRED

D  04

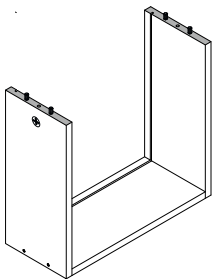
TOOLS REQUIRED



STEP 10

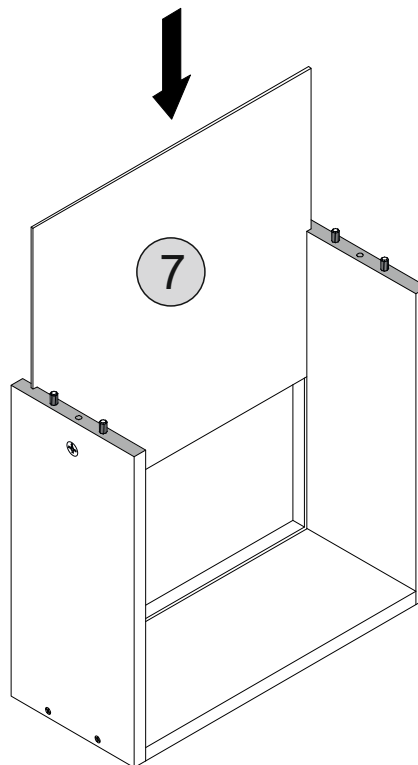
PARTS REQUIRED

7 - BOTTOM PANEL x1



HARDWARE REQUIRED

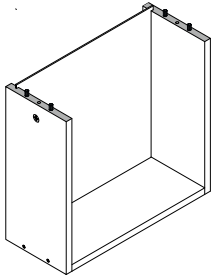
TOOLS REQUIRED



STEP 11

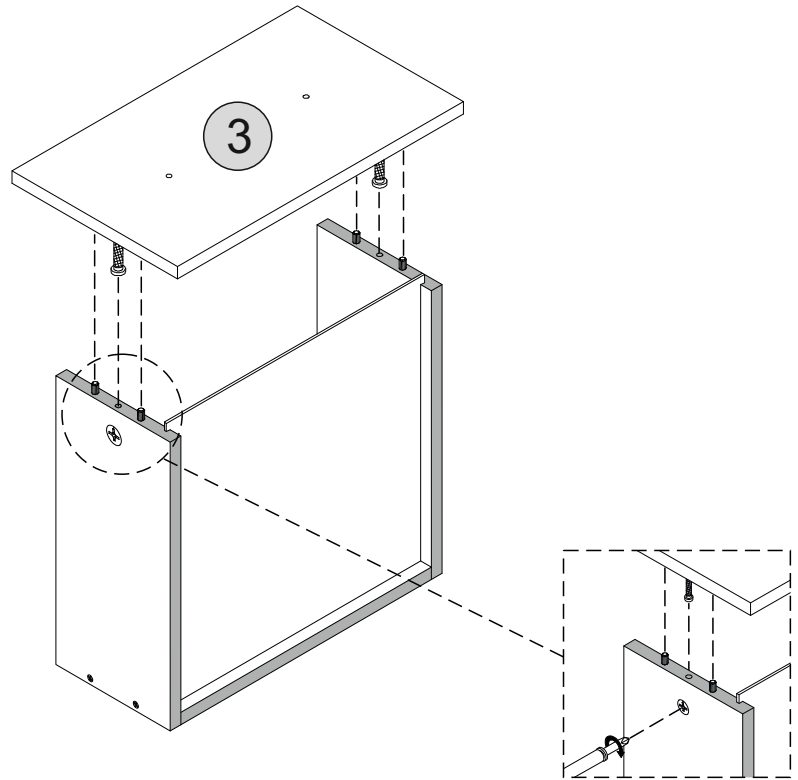
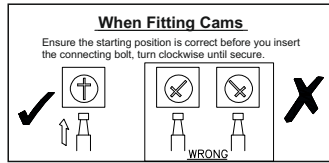
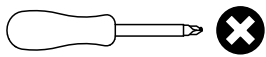
PARTS REQUIRED

3 - DRAWER FRONT x1



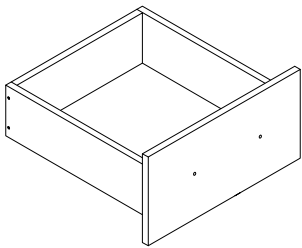
HARDWARE REQUIRED

TOOLS REQUIRED

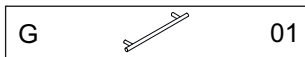


STEP 12

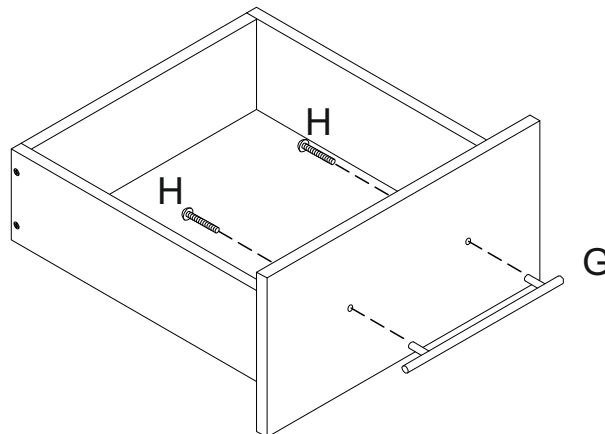
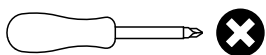
PARTS REQUIRED



HARDWARE REQUIRED

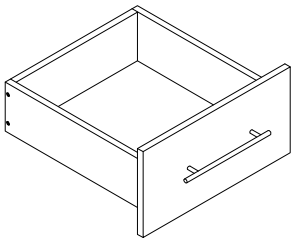


TOOLS REQUIRED

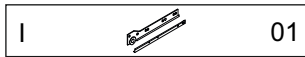
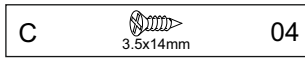


STEP 13

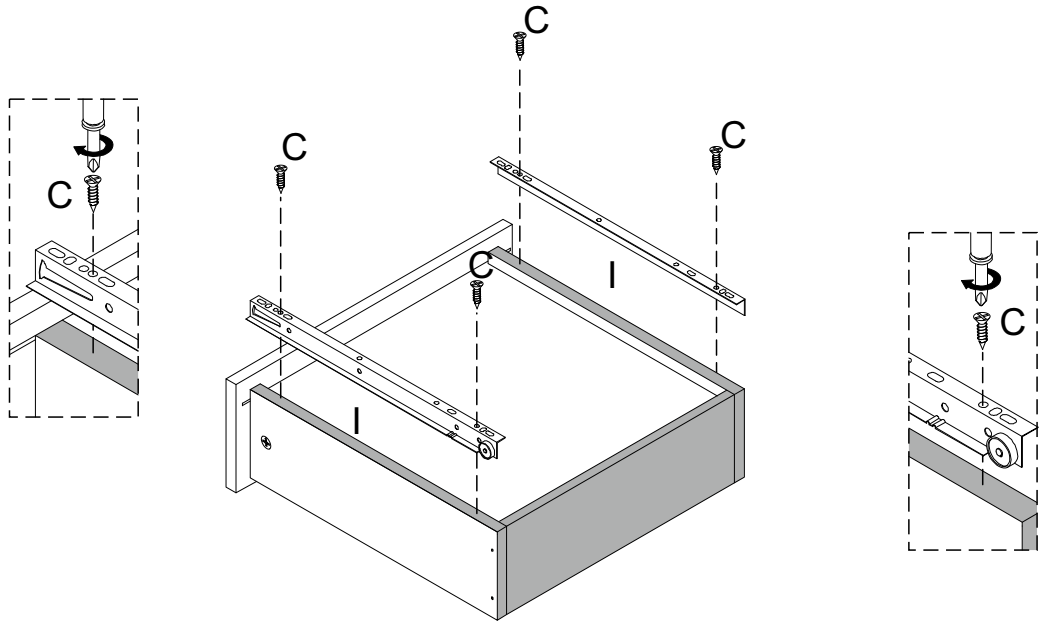
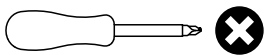
PARTS REQUIRED



HARDWARE REQUIRED

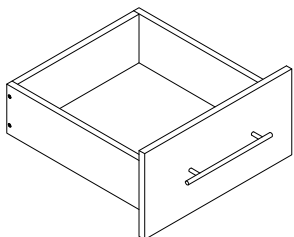
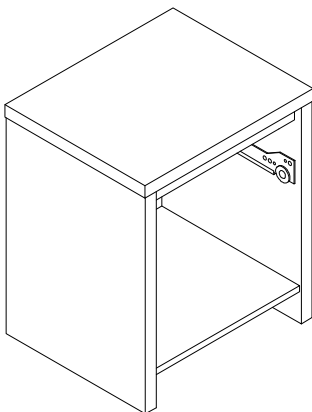


TOOLS REQUIRED



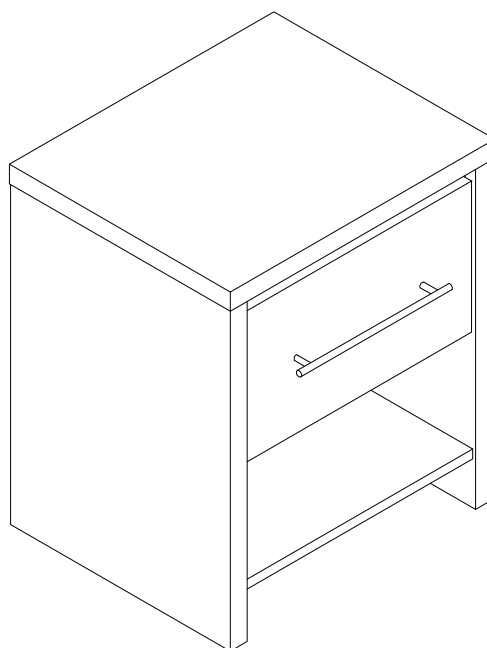
STEP 14

PARTS REQUIRED



HARDWARE REQUIRED

TOOLS REQUIRED



!
PLEASE NOTE THE CLEAR
PROTECTIVE FILM WHICH
NEEDS REMOVING FROM
THE GLOSS FINISH.

