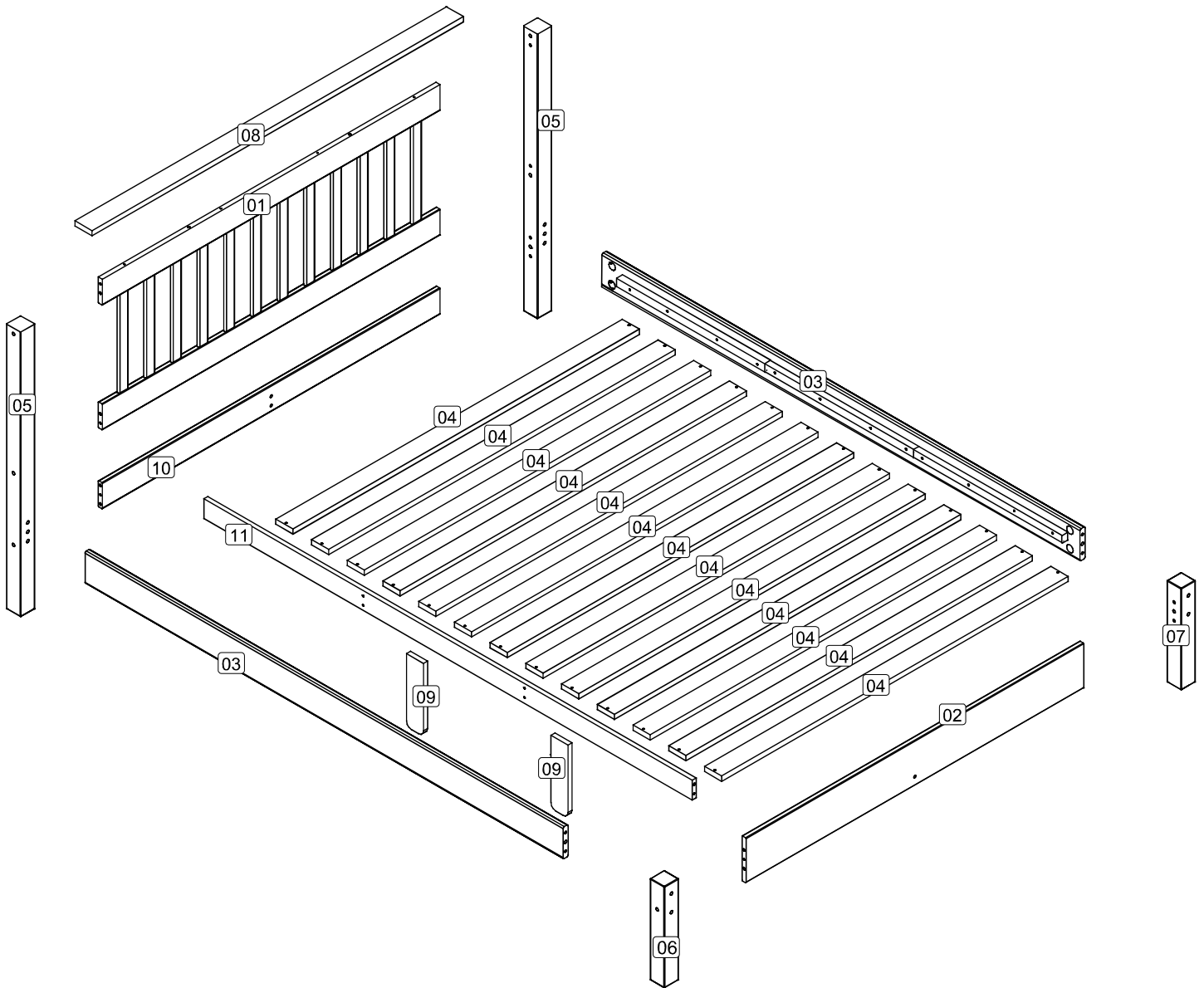
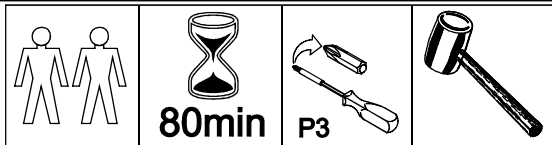


# CRW460LE



2021 SPECIFICATION

# CRW460LE



Thank you for choosing this furniture.

**BEFORE YOU START ASSEMBLY** please store the carton at room temperature for 48 hours or more so the contents can acclimatise.

**PLEASE RETAIN ALL PACKING UNTIL YOU HAVE COMPLETED ASSEMBLY.**

### Information about your Pine furniture.

Our pine furniture ranges have been carefully crafted from solid wood and natural wood veneers. Each piece of pine has unique characteristics such as knots, variances in shading and graining. These are part of the natural character of the furniture itself.

### Caring for your Pine furniture.

Extreme temperature can cause slight movements in the wood itself so please avoid placing your furniture close to radiators or other direct sources of heat. Humidity should also be avoided.

Please avoid exposing your furniture to continued bright sunlight as it can affect the colour.

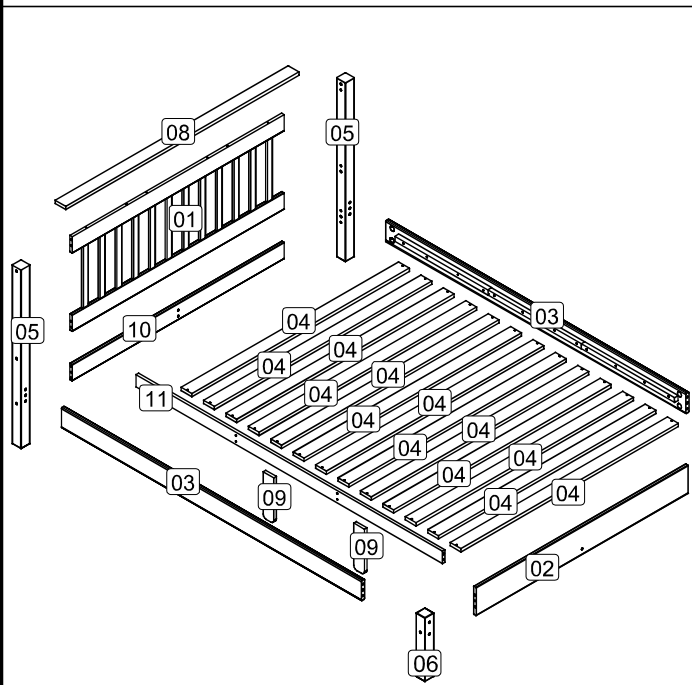
Any fluid spills should be removed as quickly as possible.

Always lift your furniture when moving as dragging may cause damage to your furniture or flooring.

### After care.

Wipe the surfaces with a dry cloth and an occasional use of a normal household furniture polish. For the models with drawers, we also recommend you use household spray polish occasionally on drawer grooves and runners as this will aid use. Please do not use detergents or chemicals on your furniture.

## PARTS LIST



<b>A</b> x01	<b>B</b> x16 25 mm ø8	<b>C</b> x08 GOLD 1/4 x 130-17
<b>D</b> x08 1/4	<b>E</b> x08 GOLD 7 x 100-17	<b>F</b> x30 28mm ø4.5 P3 GOLD
<b>G</b> x02 20g	<b>Warning!:</b> Keep out of reach from children. Keep away from eyes, if product gets into eye rinse thoroughly and repeatedly with water. Do not ingest, if swallowed seek medical advice from doctor.	<b>H</b> x02 space block
<b>J</b> x02 GOLD 7 x 50-17	<b>K</b> x04 40 mm ø10	<b>L</b> x04 25mm ø4.5 P3 GOLD
<b>M</b> x04		

### BEFORE YOU START ASSEMBLY

Please check that you have all the correct parts and fittings as detailed on the assembly instructions.

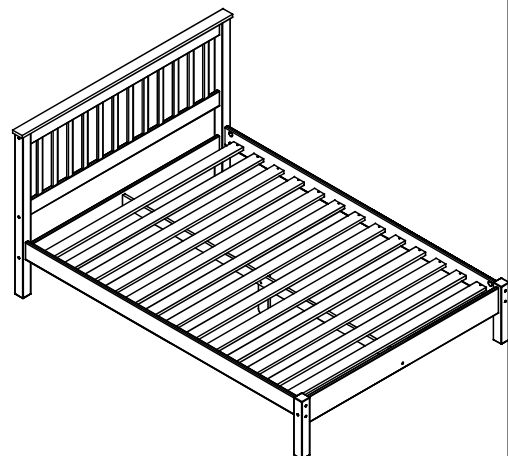
### FOR DAMAGED/REPLACEMENT PARTS

Please visit

[www.coreproducts.co.uk/parts](http://www.coreproducts.co.uk/parts)

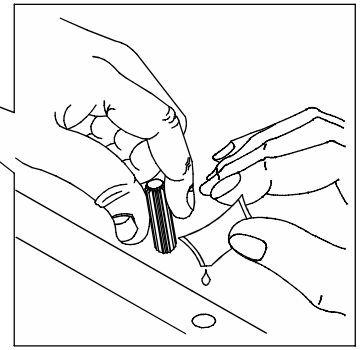
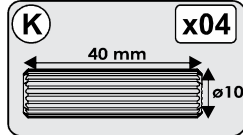
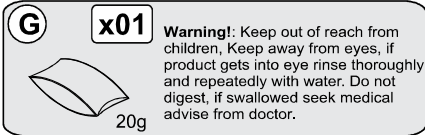
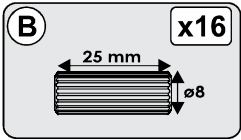
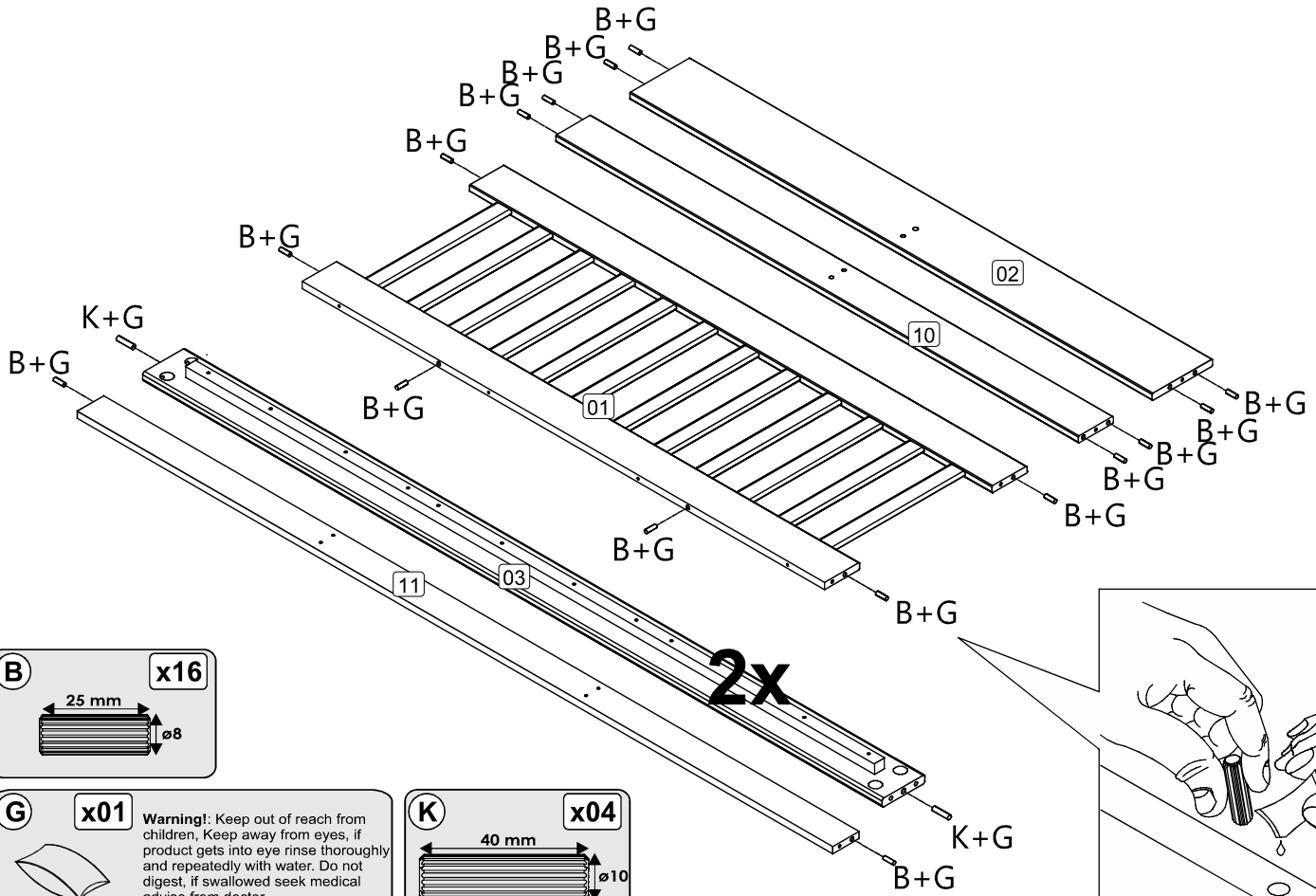
### 2021 SPECIFICATION

Batch Number 2020-0000

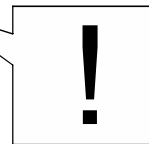
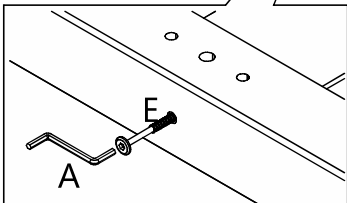
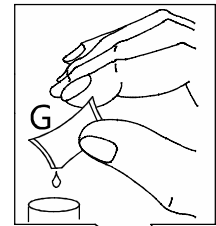
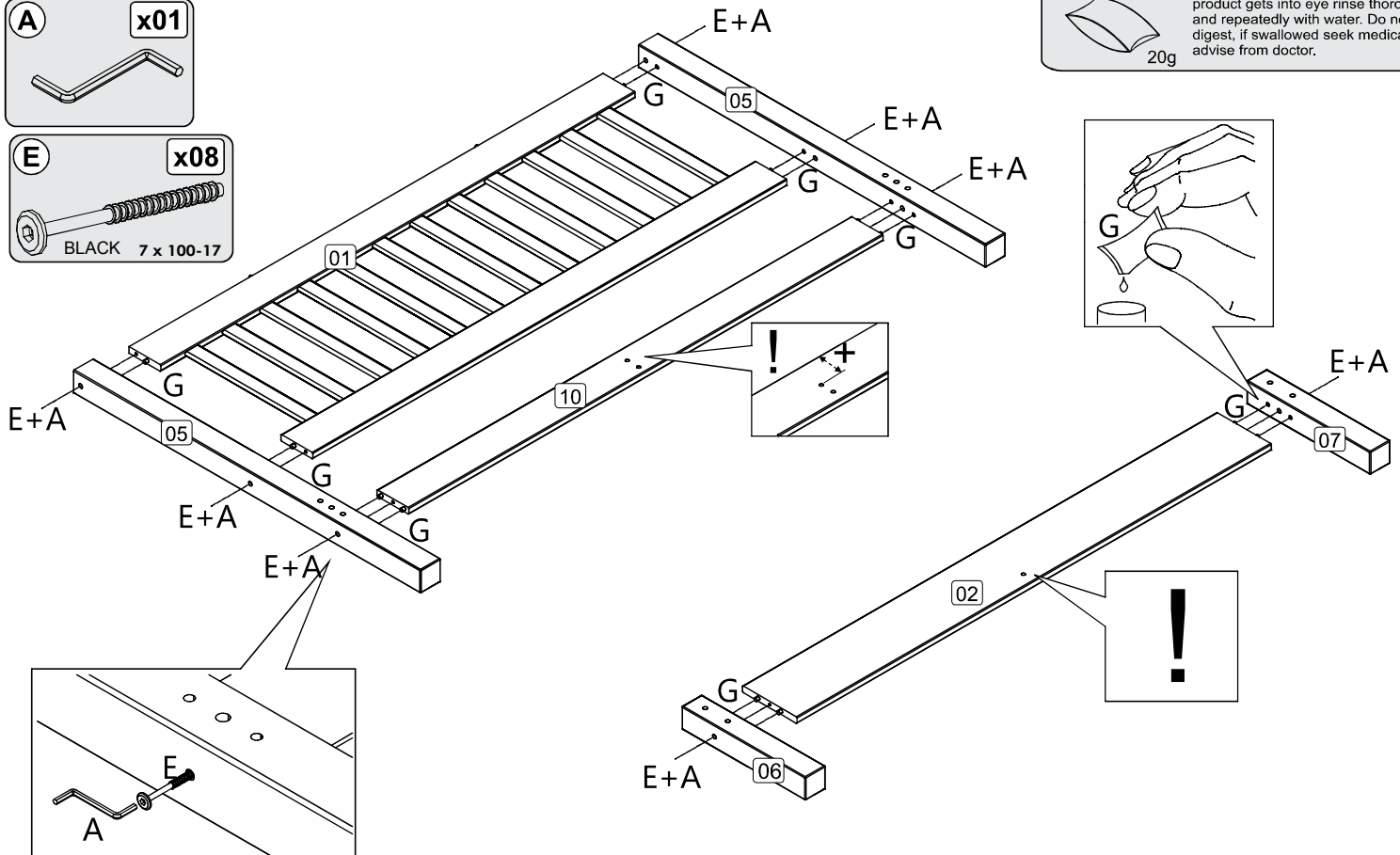
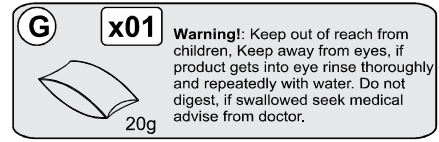
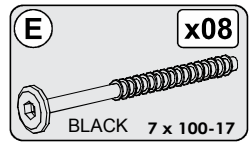
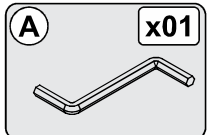


**PLEASE RETAIN THIS LEAFLET ALONG WITH YOUR DELIVERY NOTE/RECEIPT FOR FUTURE REFERENCE**

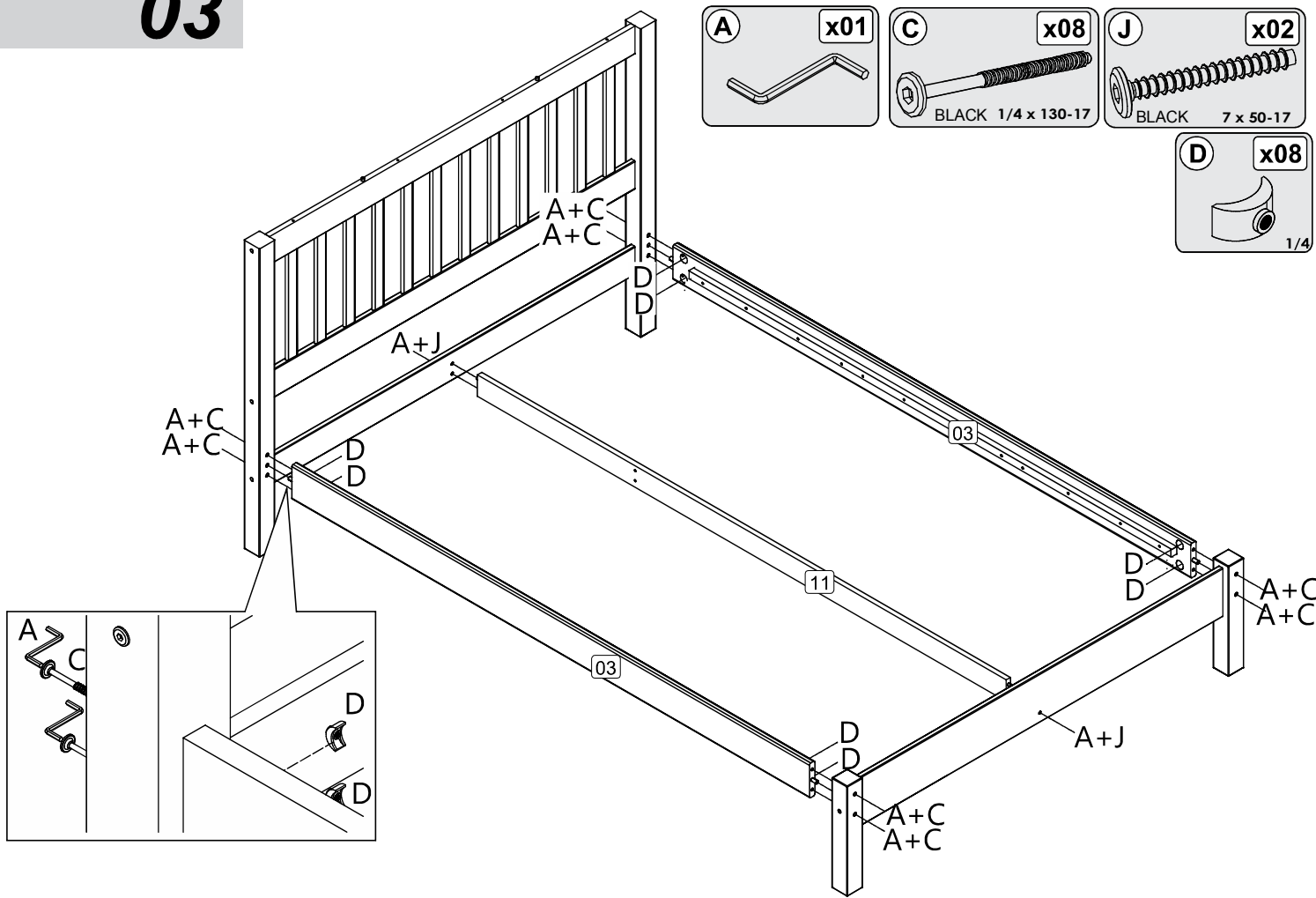
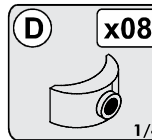
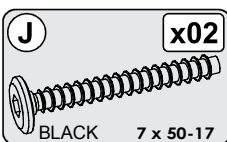
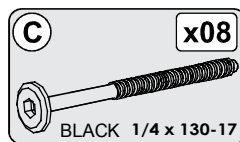
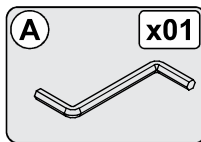
# 01



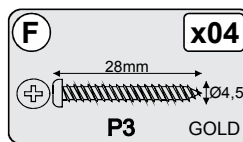
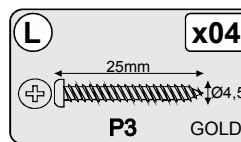
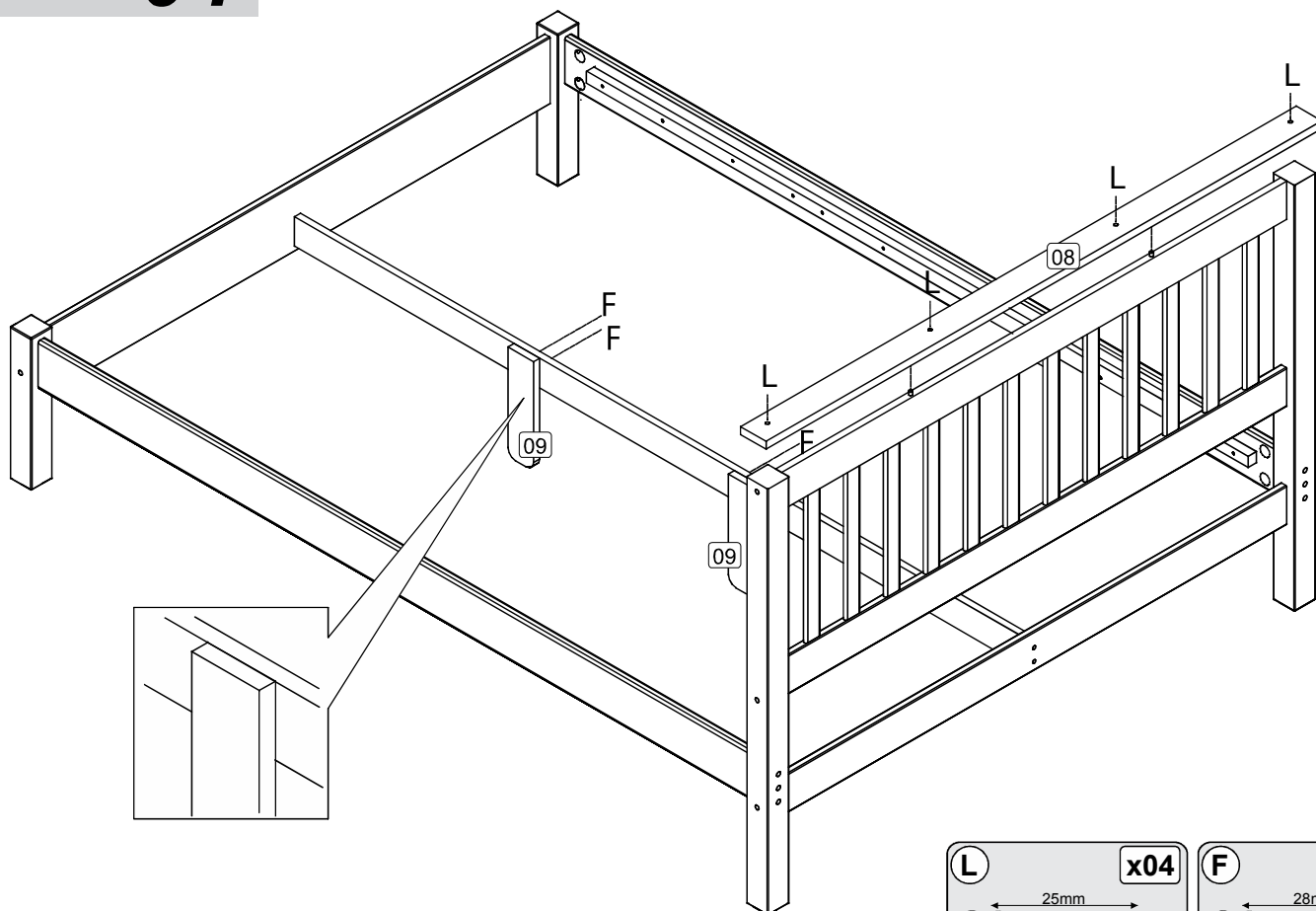
# 02

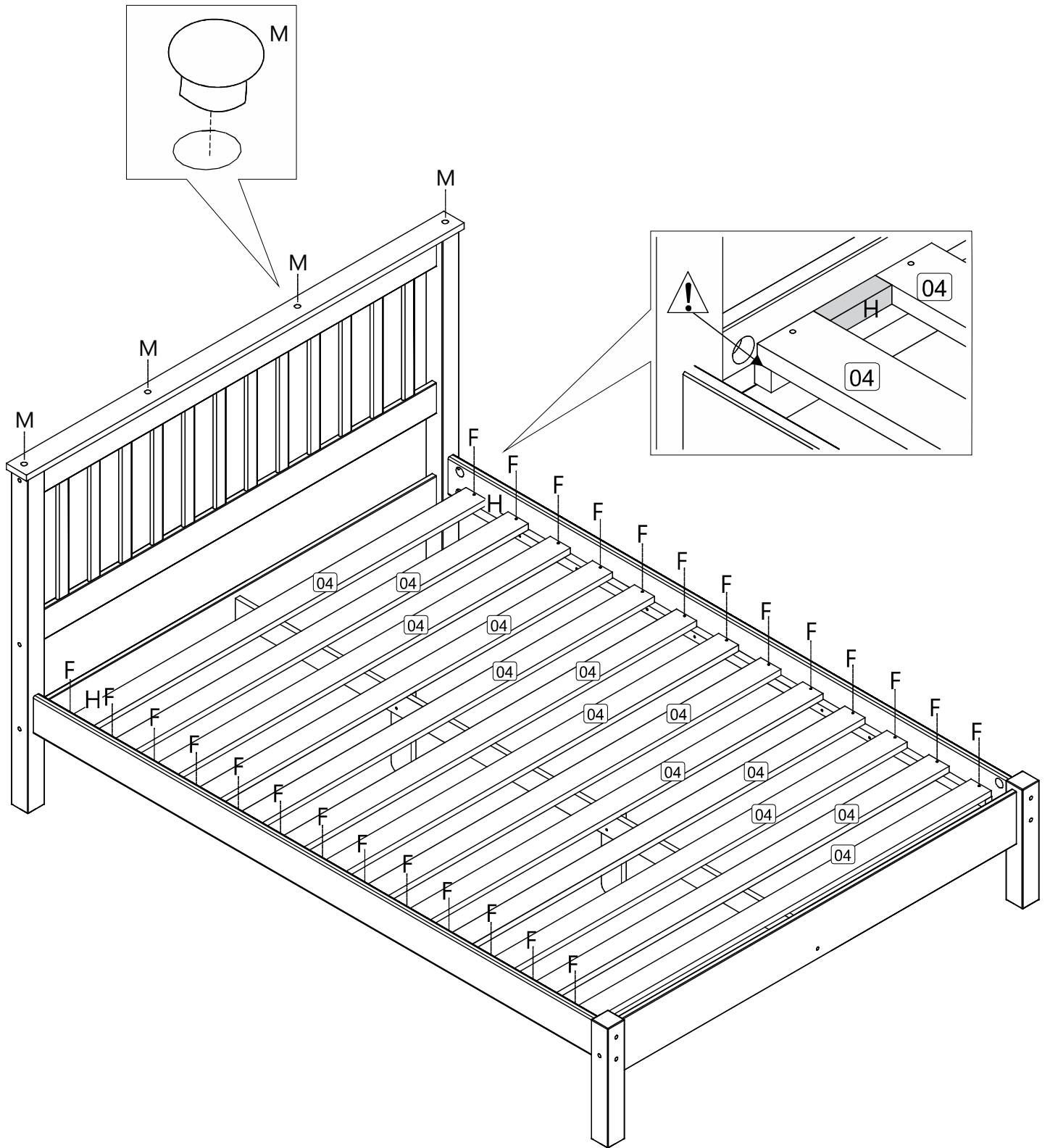


# 03



# 04





**F** **x26**

28mm

104,5

**P3**

**H** **x02**

space block

**M** **x04**