

# 210 SERIES

## 3 Drawer Bedside Chest

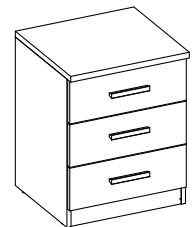
### Assembly Instruction

**!!WARNING** In order to prevent overturning/ toppling over, this product must be used with the wall attachment device provided. However you will need to source suitable fixings for your wall type. If in doubt, please consult a qualified trades person. Always ensure the wall to be drilled is free from hidden electrical wires, water and/or gas pipes or any other obstruction.

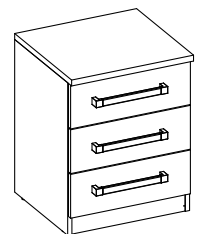
**!!Please take time to read and follow these instructions carefully!!**



**Version A**



**Version B**



# Hello,

Thank you for choosing this item of furniture. To ensure that you get the most from your furniture here are a few safety tips and helpful hints from the professionals.

## **Safety**

- Keep children and animals away from the assembly area.
- This furniture contains small parts that could cause choking if swallowed.
- Where applicable ensure the unit is fixed to a wall.
- Ensure all packaging is disposed of responsibly.

## **Helpful Hints**

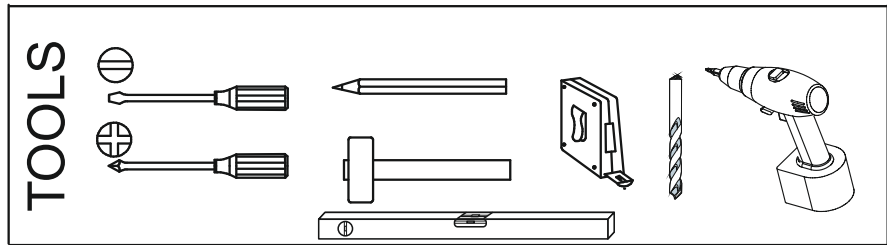
- Take time to read through the Assembly Instructions.
- Clear as much space as possible in the room you intend to use the furniture in. Assemble the furniture in that room, moving built furniture between rooms is hard work.
- Open the fittings bag into a washing-up bowl or other container to stop any small parts being lost.
- Check all fittings and panels against the parts list to ensure that you have everything before you start.
- Check that you have the recommended tools for assembly. The use of power tools is NOT advised.
- Building is NOT a race. Take your time. For larger items take a break after about 60mins then start again refreshed.

## **Care and maintenance**

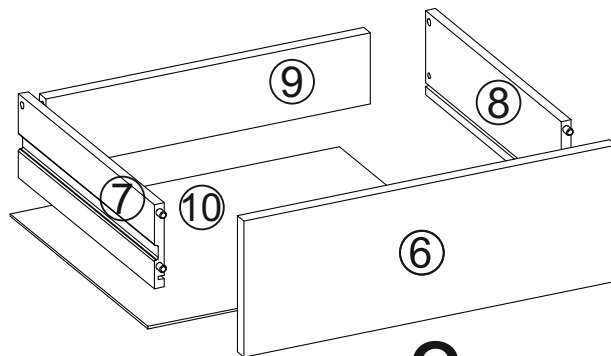
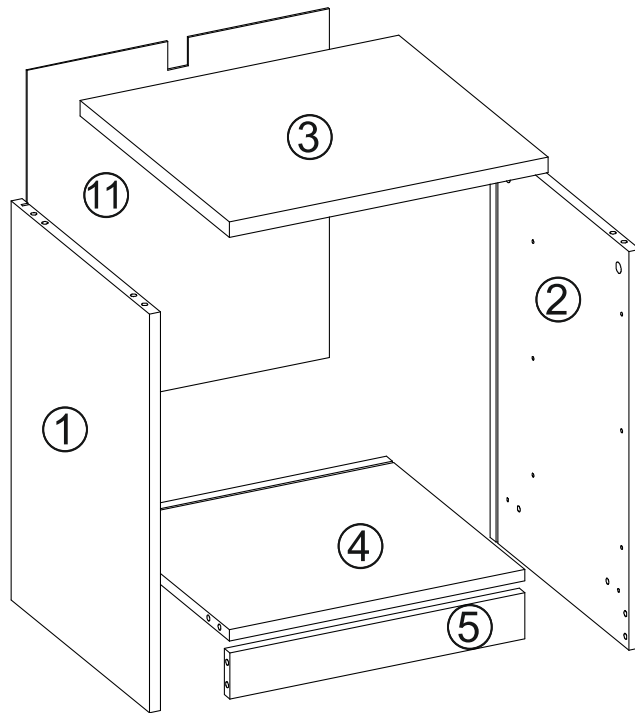
- To clean wipe with a slightly damp clean cloth.
- Periodically check there are no loose screws or fittings.

# Enjoy your furniture.

PART	SIZE mm	QTY
1	564x400x16	1
2	564x400x16	1
3	460x430x22	1
4	426x399x16	1
5	426x65x16	1
6	452x162x16	3
7	350x100x12	3
8	350x100x12	3
9	394x85x12	3
10	404x357x3	3
11	493x436x3	1

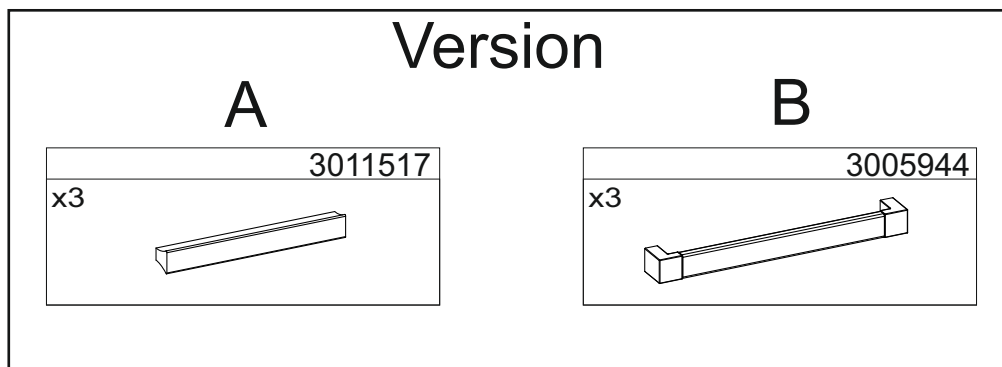
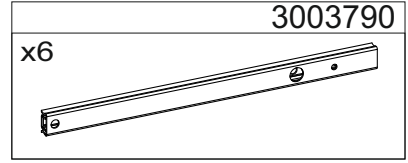
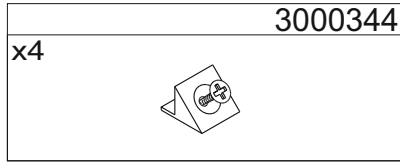
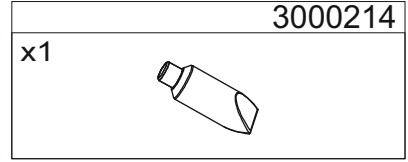
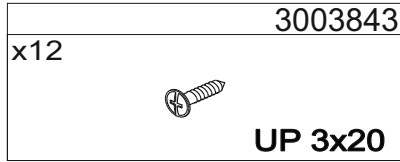
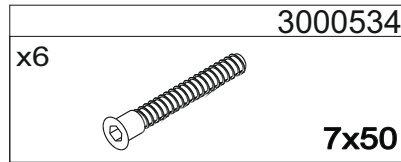
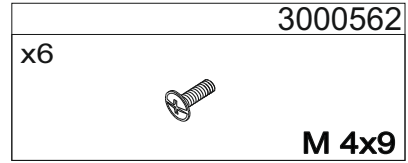
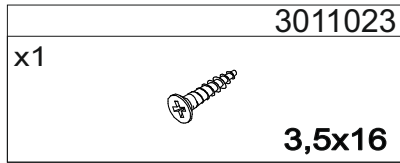
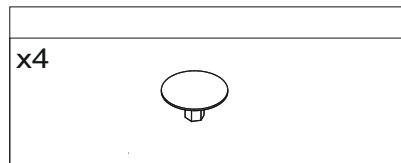
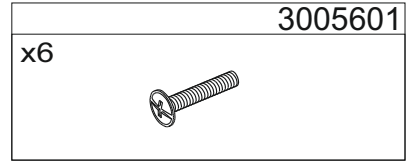
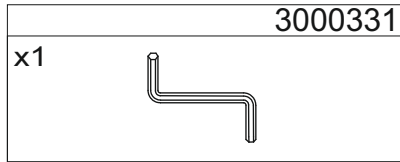
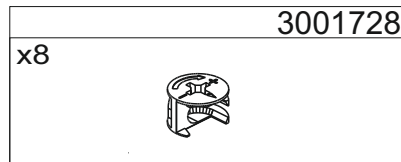
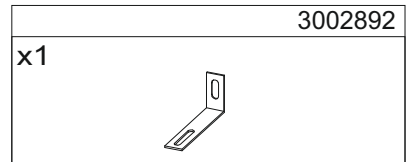
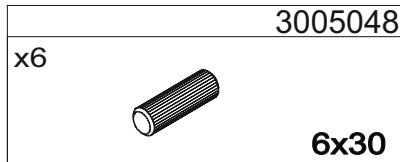
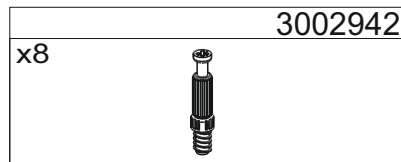
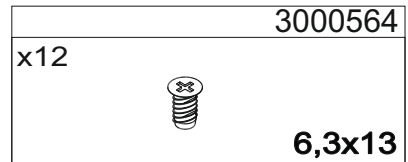
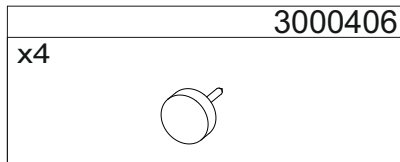
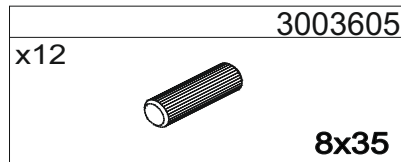


Installation shall be carried out exactly according to the manufacturer's instructions-otherwise a safety risk can occur if incorrectly installed; **WARNING** In order to prevent overturning this product must be used with the wall attachment device provided.



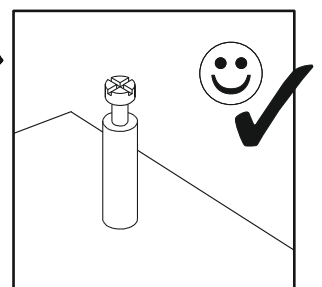
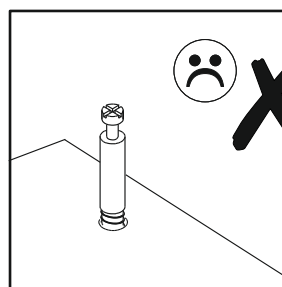
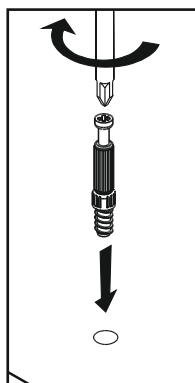
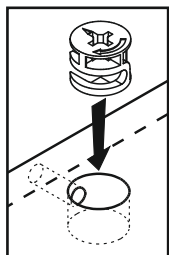
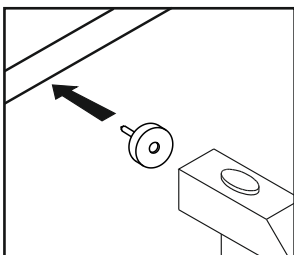
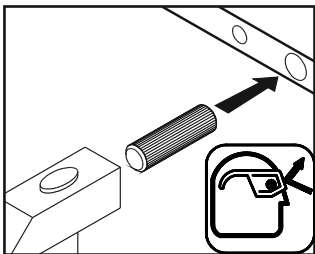
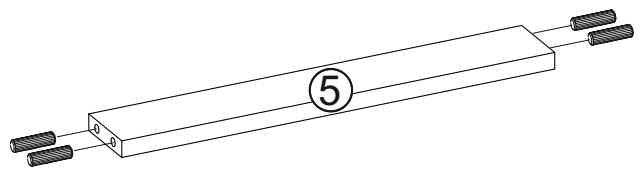
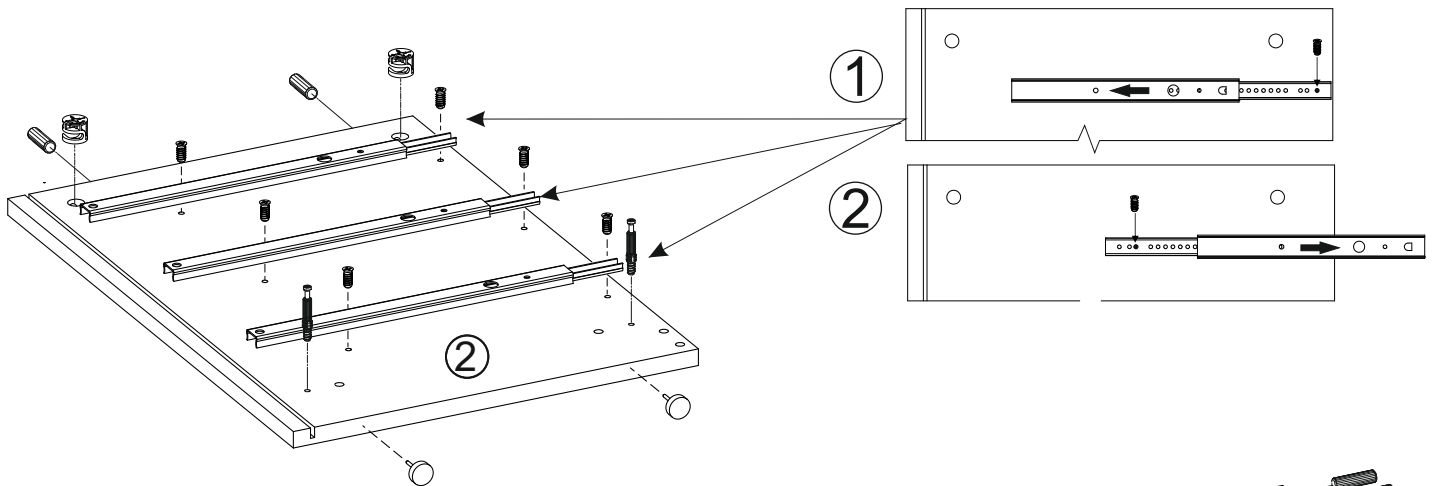
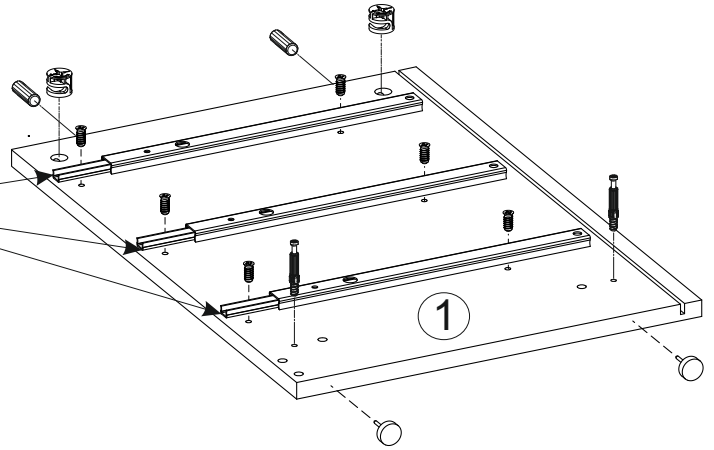
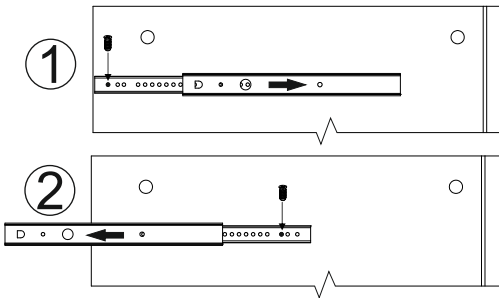
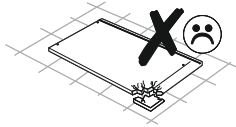
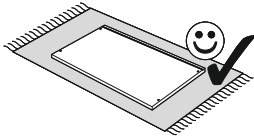
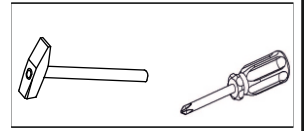
x3








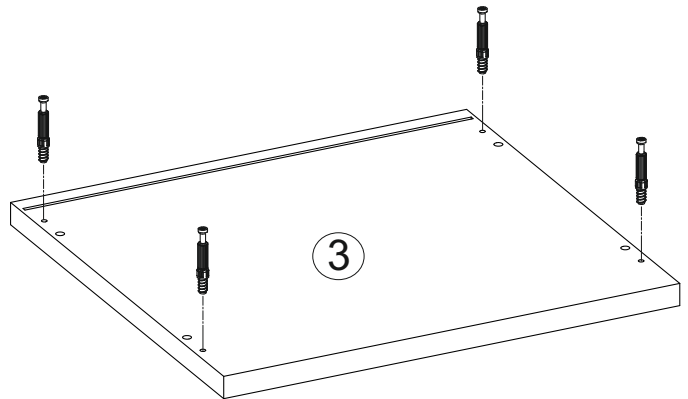
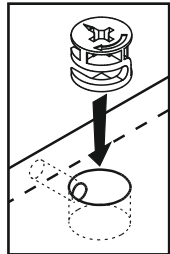
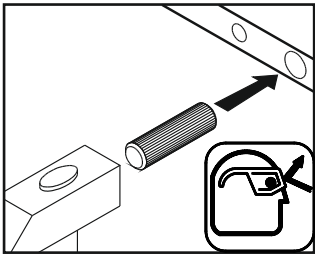
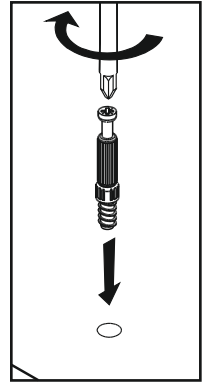
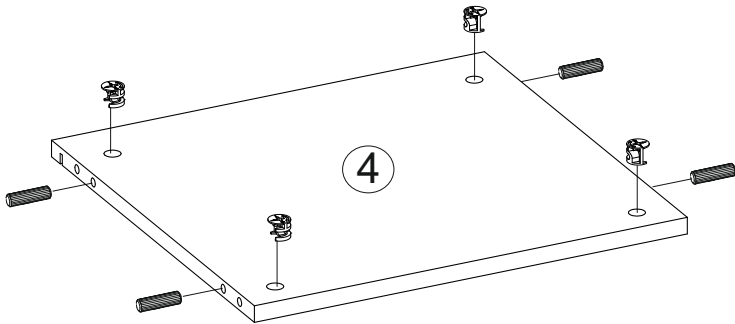
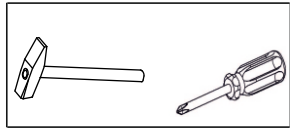
1

x8	3003605 <b>8x35</b>	x4	3002942	x4	3001728
x4	3000406	x12	3000564 <b>6,3x13</b>	x6	3003790

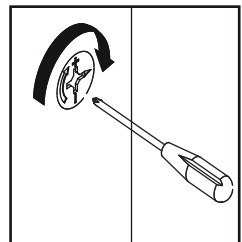
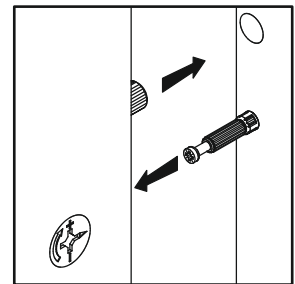
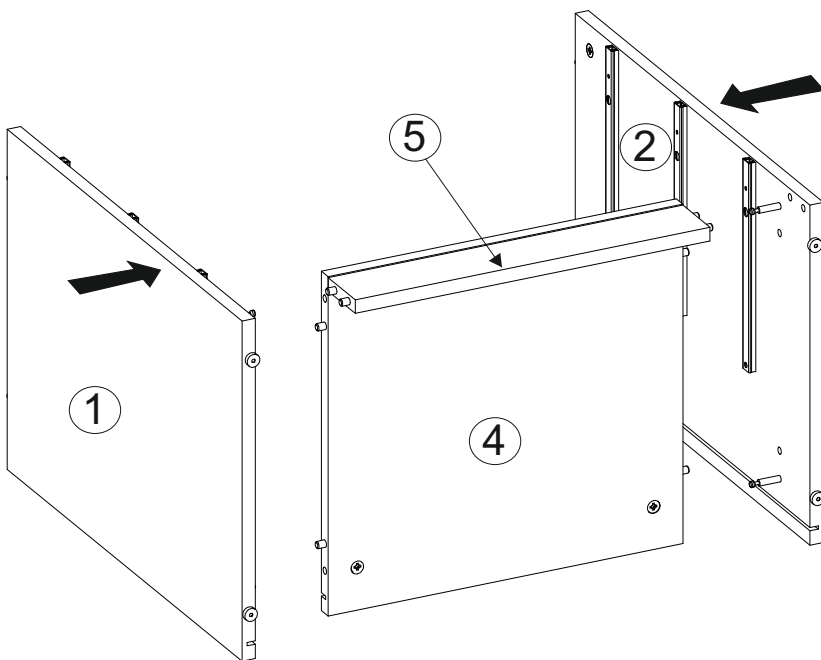
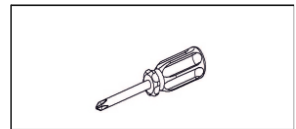


2

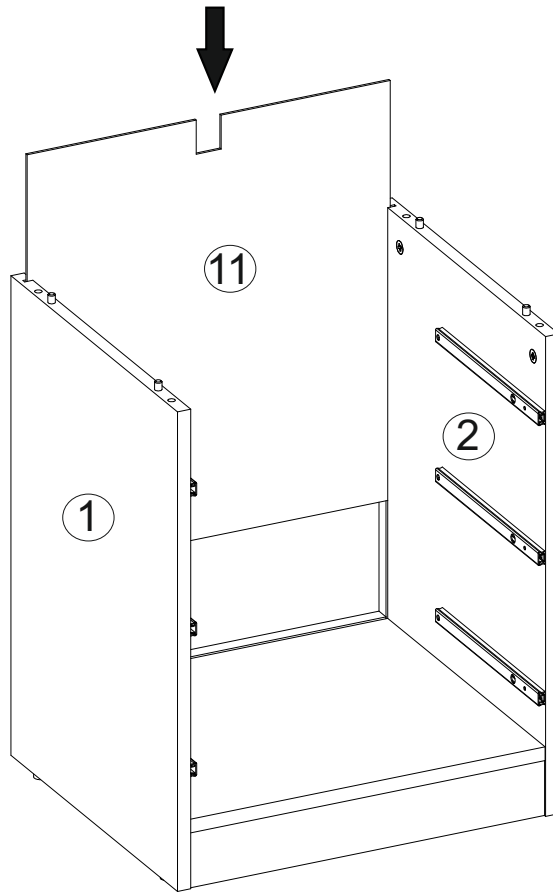
<p>3003605</p> <p>x4</p>  <p>8x35</p>	<p>3002942</p> <p>x4</p> 	<p>3001728</p> <p>x4</p> 
--	--	---



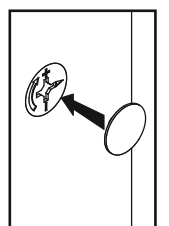
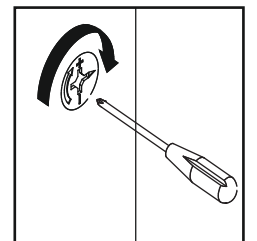
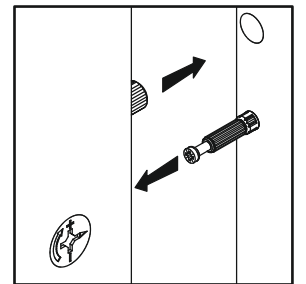
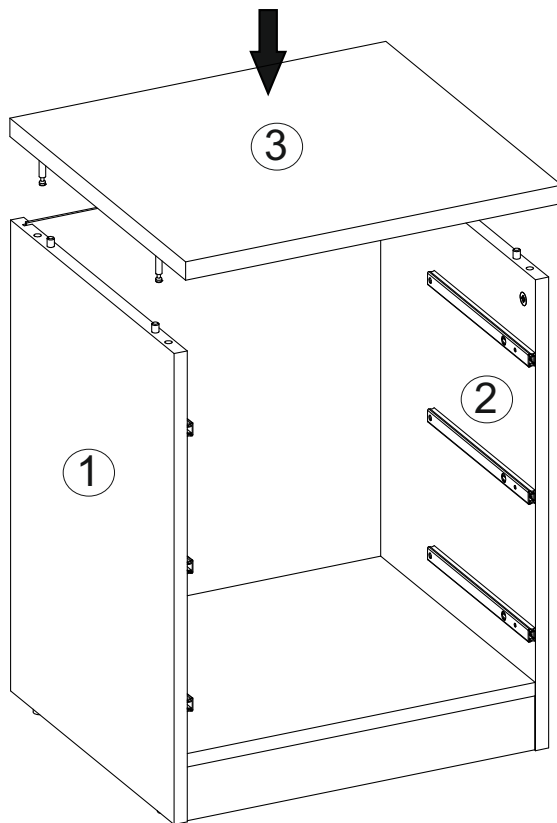
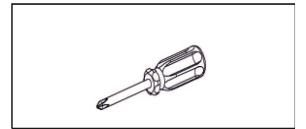
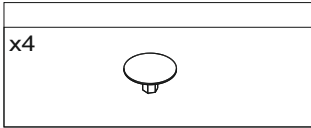
3



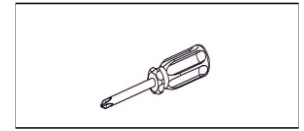
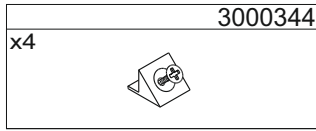
4



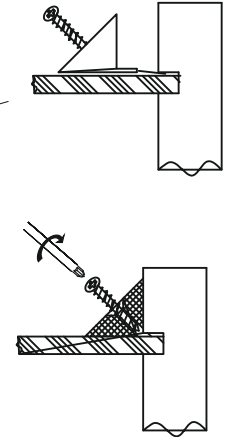
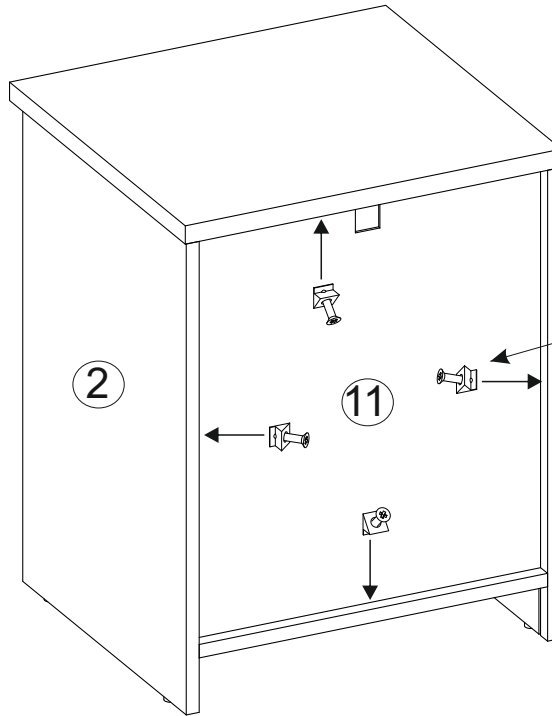
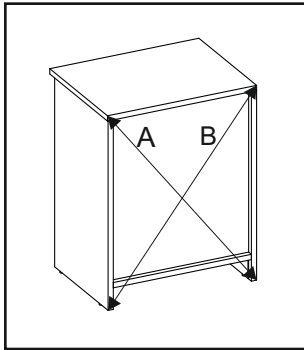
5



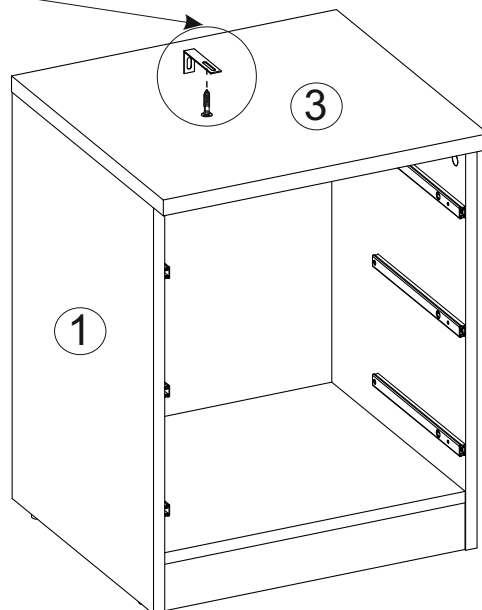
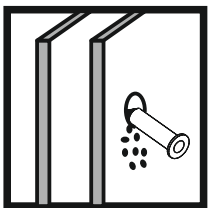
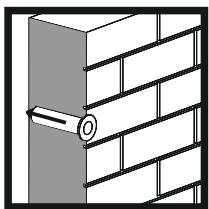
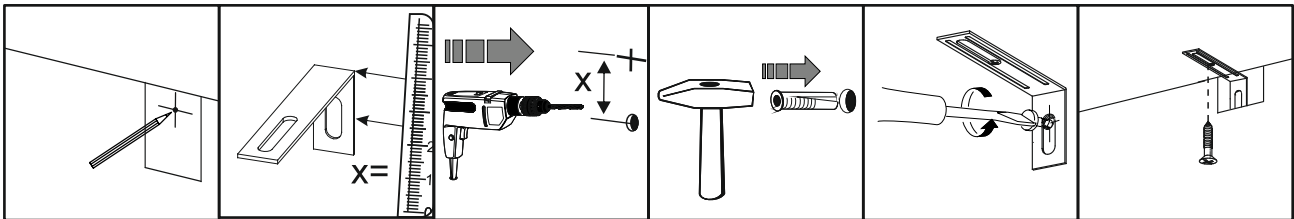
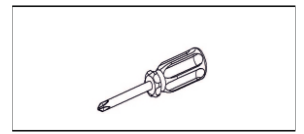
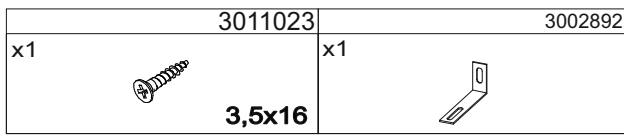
6



A=B

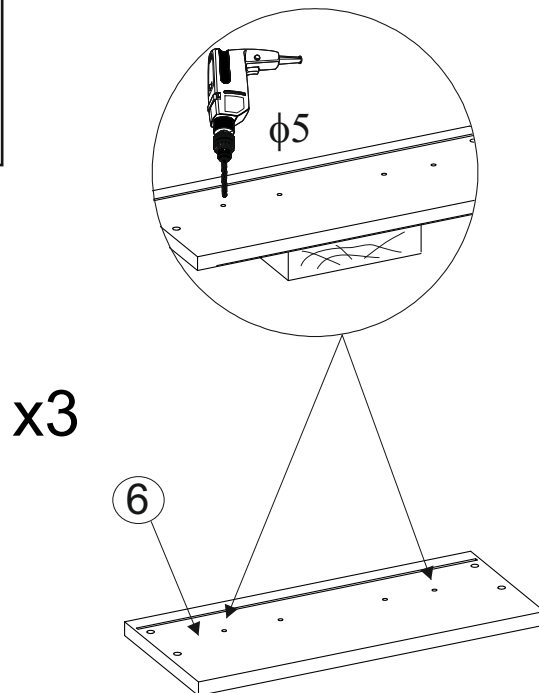
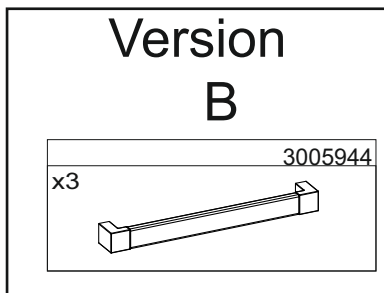
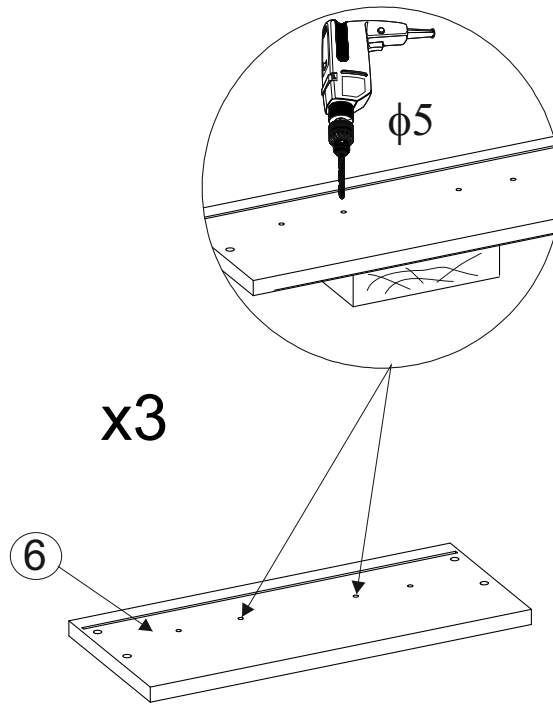
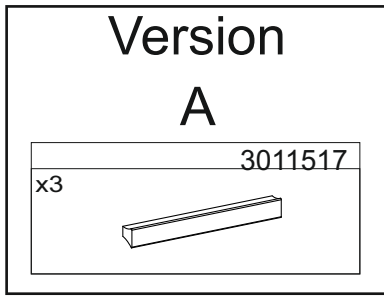


7



Installation shall be carried out exactly according to the manufacturer's instructions-otherwise a safety risk can occur if incorrectly installed; **WARNING** In order to prevent overturning this product must be used with the wall attachment device provided.

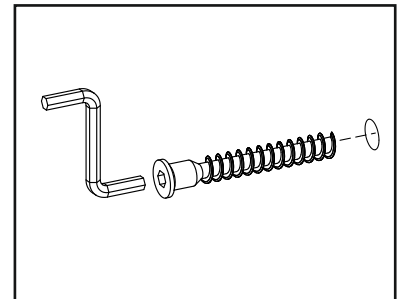
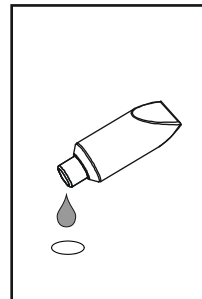
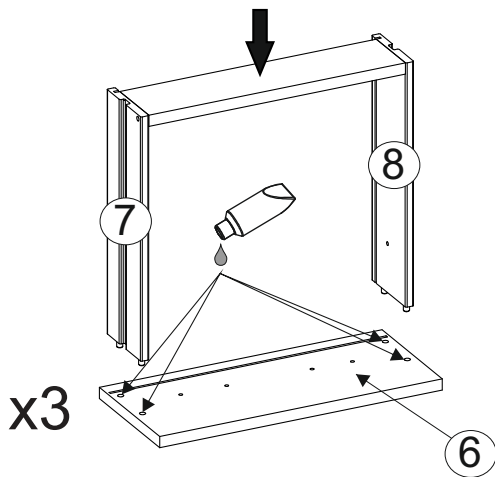
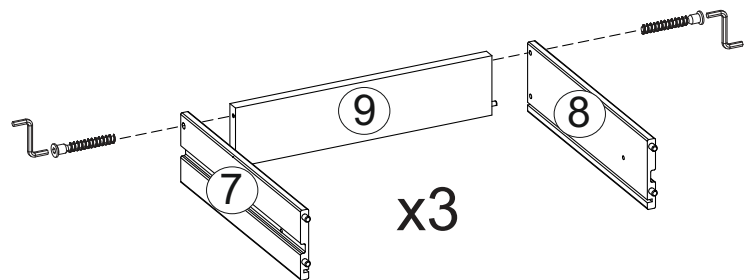
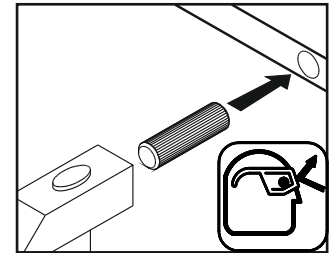
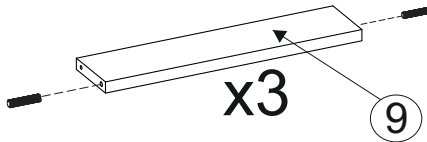
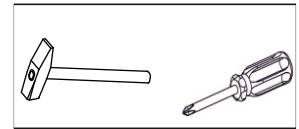




9

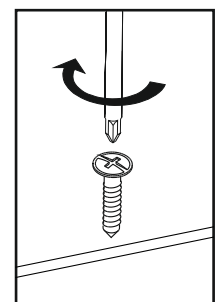
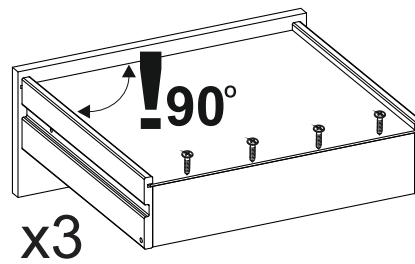
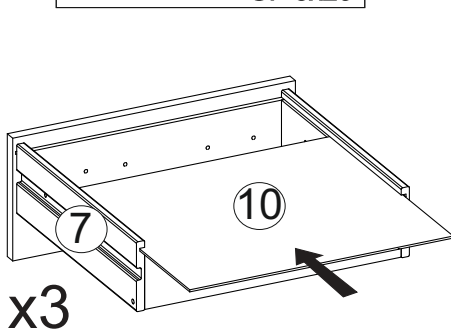
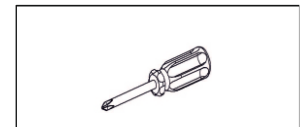
3000534	3005048	3000331
x6 7x50	x6 6x30	x1

3000214
x1

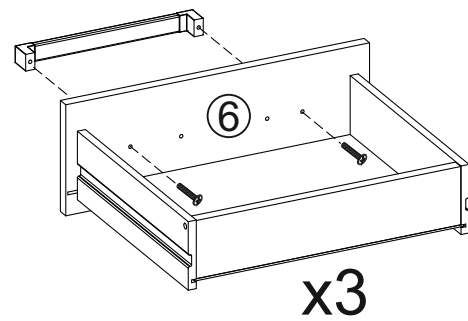
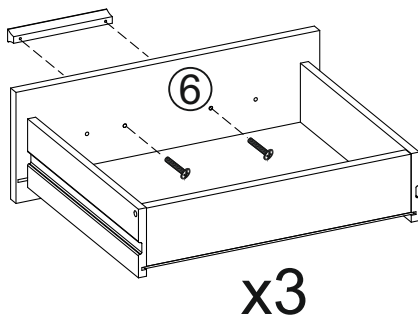
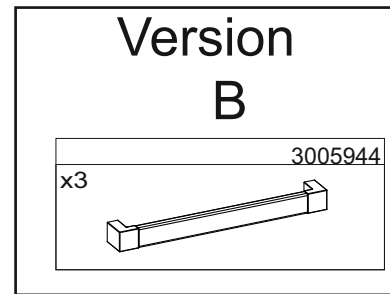
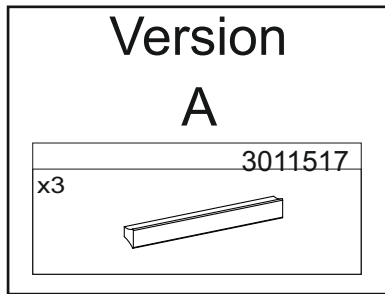
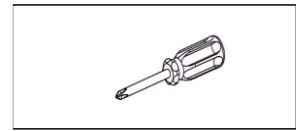
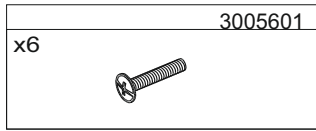


10

3003843
x12
UP 3x20



11



12

